

ADVANCED KIT

AIRPLANES SERIES

P-47D-30RA THUNDERBOLT

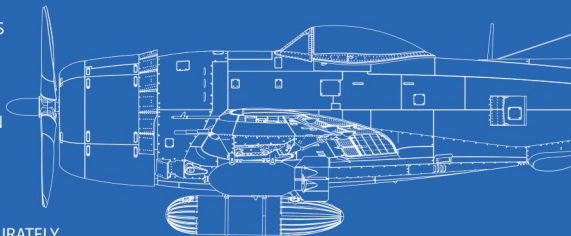
48029



GENERAL INSTRUCTION

**SCALE
1:48**

- HIGHLY DETAILED PLASTIC MODEL KIT
- PHOTO-ETCHED PARTS INCLUDED
- CLEAR PLASTIC PARTS INCLUDED
- HATCHES CAN BE ASSEMBLED IN OPEN OR CLOSED POSITION
- 3 TYPES OF WHEELS INCLUDED
- ENGINE & COMBAT COMPARTMENT ACCURATELY REPRESENTED IN THE MODEL
- DECAL SHEET FOR 3 VARIANTS



1 366th Fighter Squadron 358th Fighter Group "Orange Tails"
9th Air Force, Spring 1945 Pilot: Lt. Ike Davis



2 509th Fighter Squadron 405th Fighter Group, 9th Air Force. Germany, May 1945.

Pilot: Capt. Milton William Thompson



UWAGA

Przy stosowaniu kleju i farb wszystkie prace należy wykonywać w przewietrzonym miejscu z dala od źródeł ognia.
Oddziel części od wlewków nożem lub innym cienkim narzędziem. Oczyść lampę błyskową i wytnij punkty pilnikiem igłowym i papier ścierny. Złóż modele zgodnie z schemat montażu.

Dla ułatwienia montażu każda część jest oznaczona numerem.
Po złożeniu zestawu mogą pozostać niewykorzystane części.

УВАГА

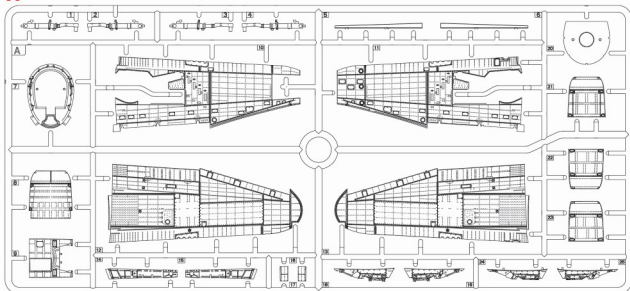
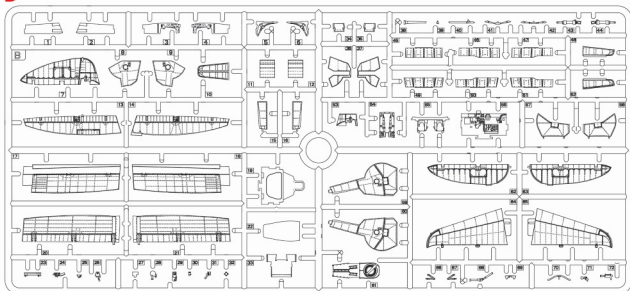
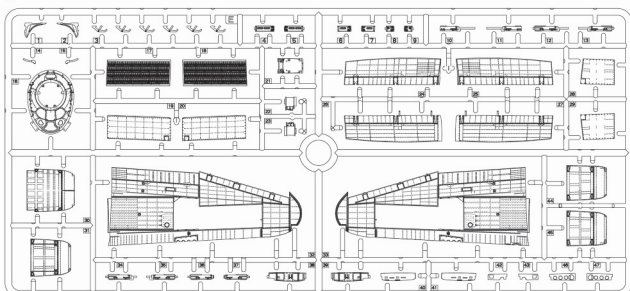
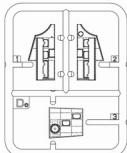
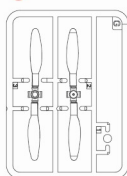
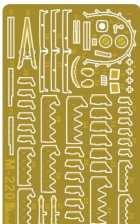
При використанні клею та фарб всі роботи проводити подаль від джерел вогню у приміщенні, що добре провітрюється.
Деталі відокремлювати від литинів ножем або іншим ріжучим інструментом. Зачистити обробні місця зруч за допомогою наждака та наждачного паперу. Вигладжувати моделі висуваючи згідно зі схемою. Для зручності побудови кожна деталь позначена номером.

Після складання можуть залишитися невикористані деталі.

CAUTION

When you use glue or paint, do not use near open flame, and use in well-ventilated room. When you take parts off from the runner frame, use modeling scissors or cutter.

See the bottom of this column for the meaning of symbols.
Extra details can remain after assembling of the kit.

PARTS**A****B****E****De****G****Gb****Clear Parts****PE M220**



POWTORE DWA RAZY
MAKE 2x2
2 TEILE FERTIGEN
EFFECTUVER 2 PIECES
FARE DUE PEZZI
TËE 2 KPL
GOR 2 ST
KIBYAGCTH PA3IB



NE UZIVAJI KLEJU
DO NOT CELENT
NICHT KLEBEN
NE PAS COLLER
NON INCOLLARE
EIJUMAA
LIMMAEJ
HE KREETH



OPICE
OPTIONAL
NACH BELIEBEN
FACIL TATIF
FACIL TATIVO
VALJUNANANANNEN
VALBAR
BAPANTVI



ZKROK OZIRE
OPEN HOLE
OFFENEN
FAIRE UN TROU
FORO APERTO
AVANA REKA
OPPIA HALET
SPOSTITI OTBEP



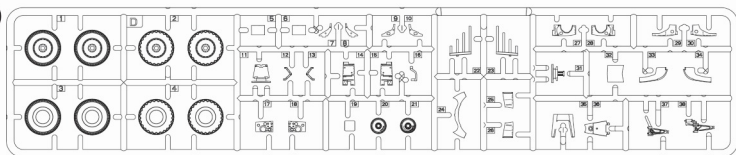
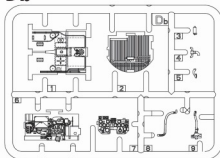
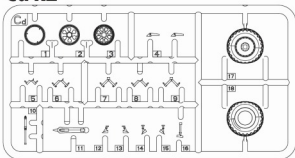
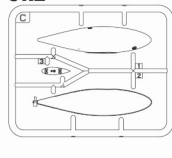
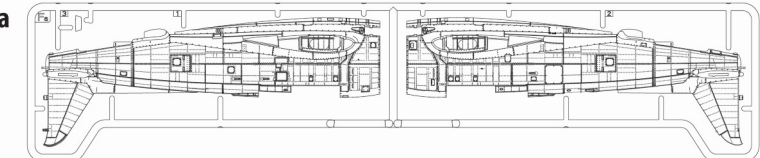
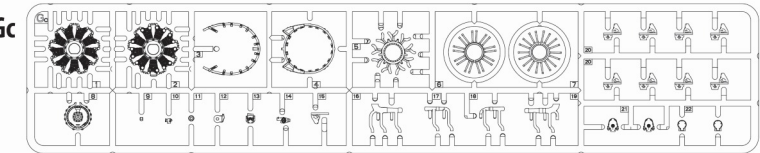
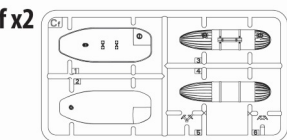
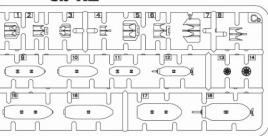
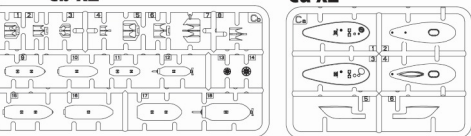
ODKAC
REMOVE
ENTFERNEN
RETRIERE
SEPARARE
POSTVA
AVLAGSINA
BISPISATI



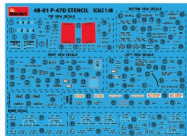
ZONAC
BEND
BITTE BEUGEN
PLIER SUI VOUS PLAIT
PIEGARE
SATA
BOCKA
BIFRHTH

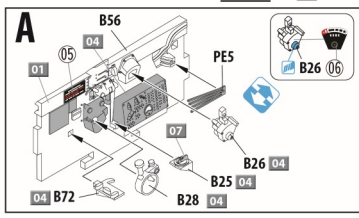
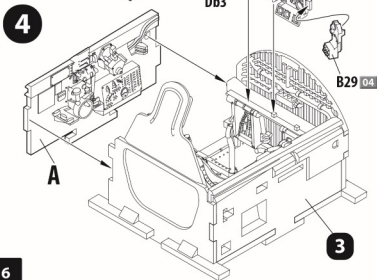
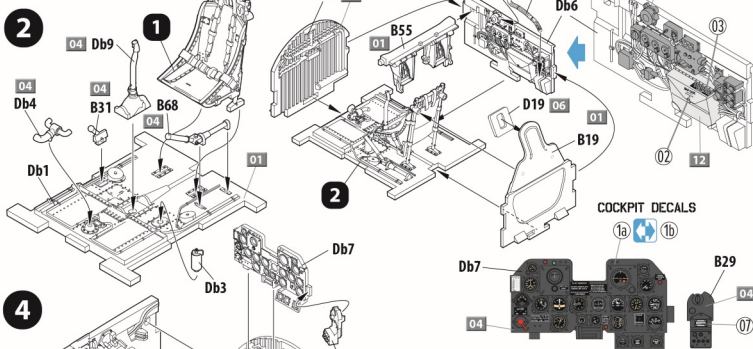
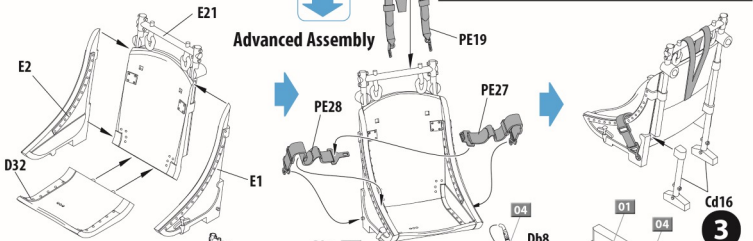
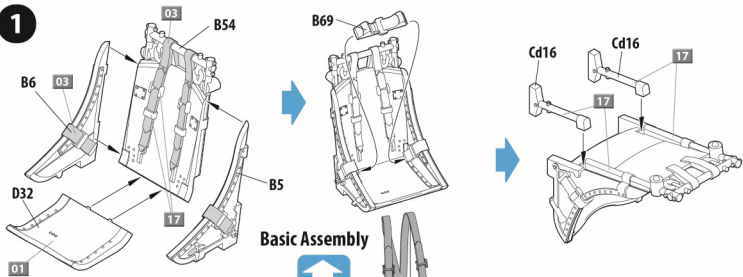


ZNOS TO SAM
SCRATCHBUILD
AM MEISTEN ZU MACHEN
FAIRE LE PLUS
RENDITI
TËE ITSE
GOR DIO SJALV
SPOVITTI CANOMY

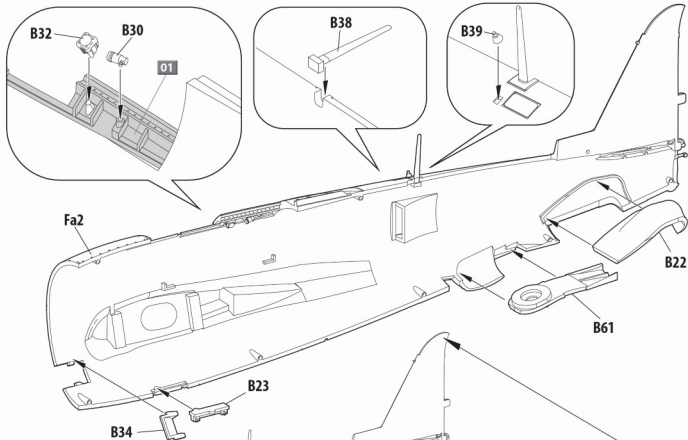
D**Db****Cd x2****C x2****Fa****Gc****Cf x2****Decal Sheet****Cb x2****Ca x2**

Decal Sheet
STENCIL
48-01

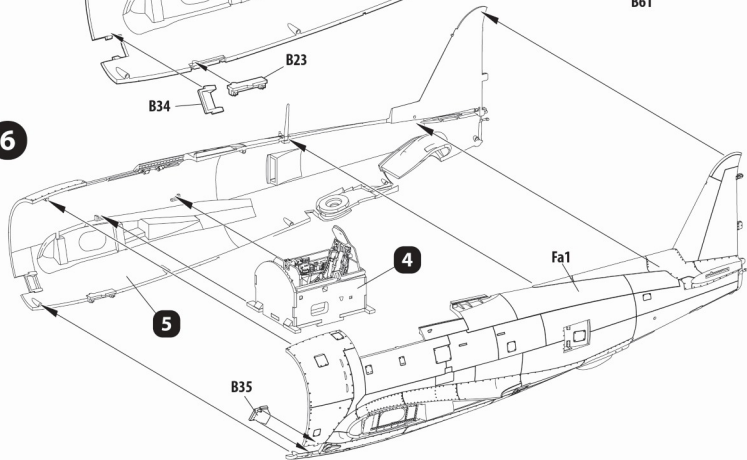




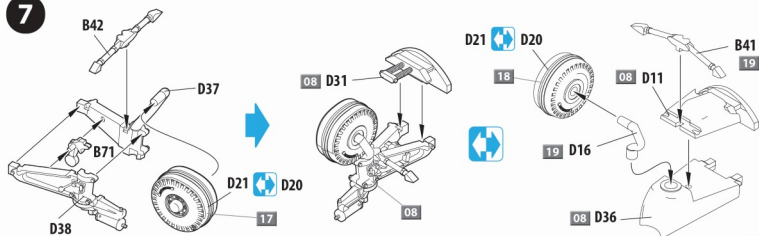
5



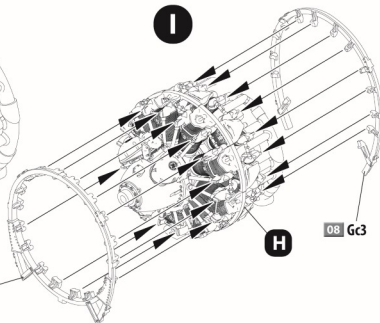
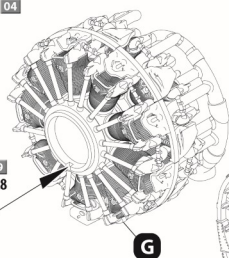
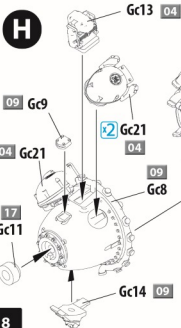
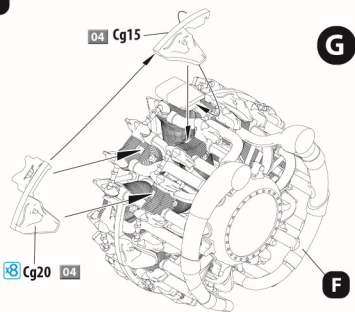
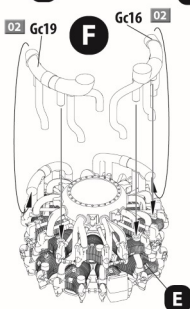
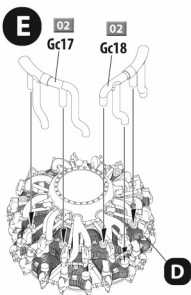
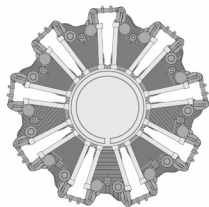
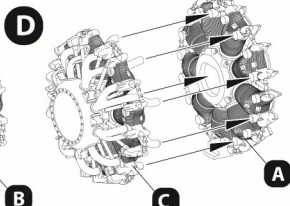
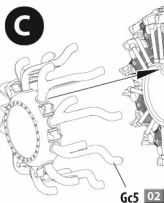
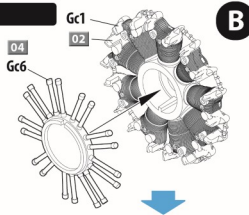
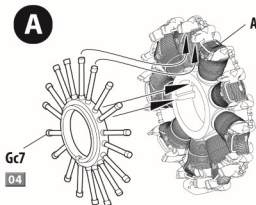
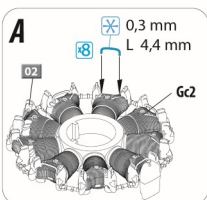
6

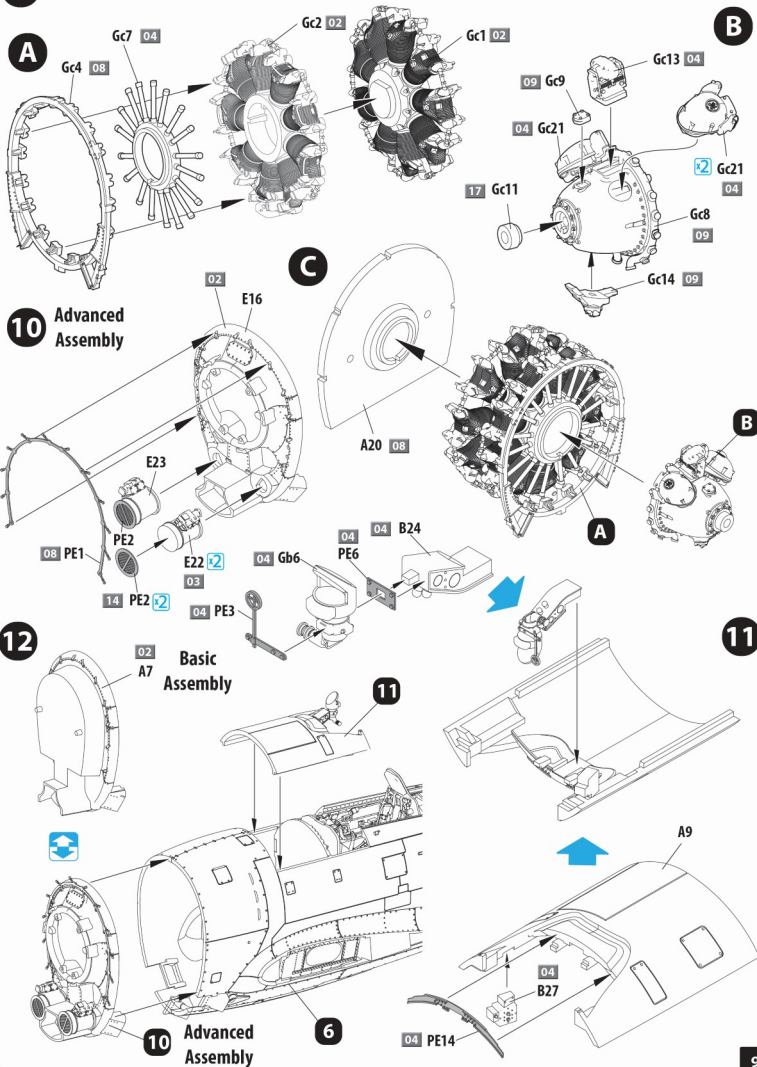


7

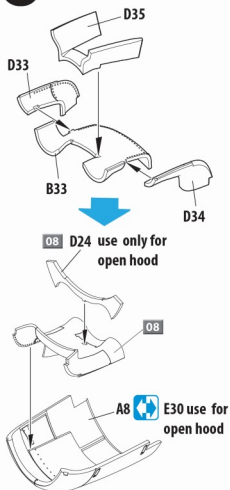


7

8 ! for experienced modellers **Advanced Assembly of Engine**

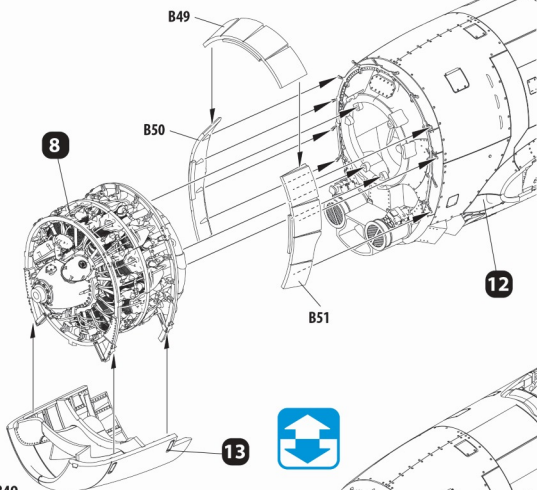


13

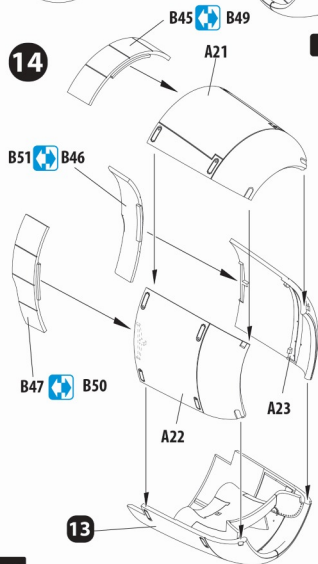


15

Advanced Assembly (Open hood variant)

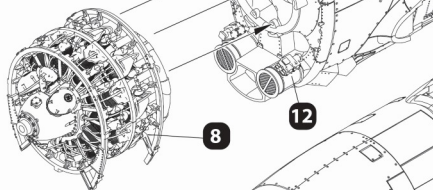


14

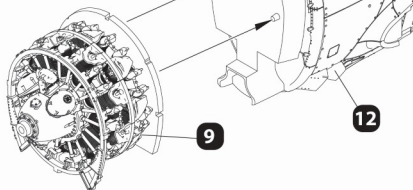


Closed hood variant

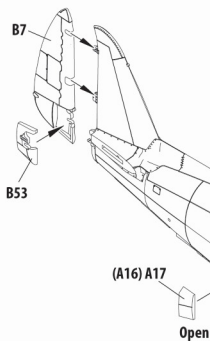
Advanced Assembly



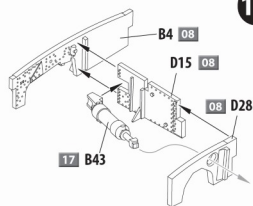
Basic Assembly



16

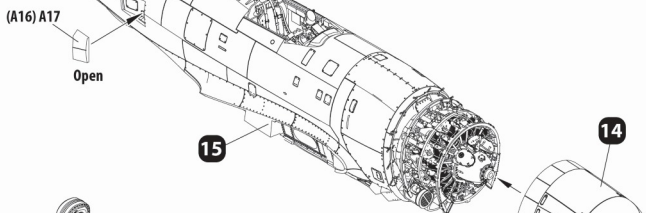


18



15

14

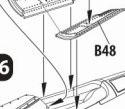


17

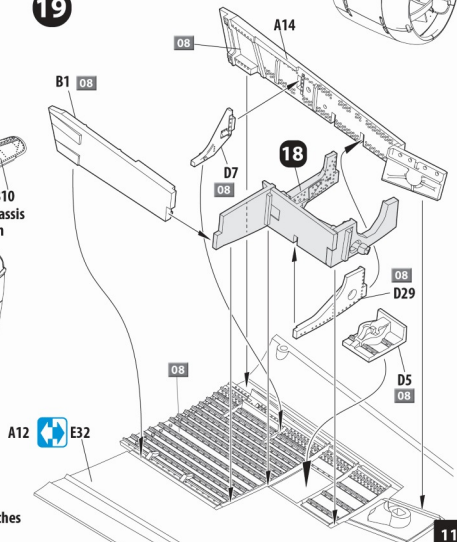
Open chassis
optionClosed chassis
option

Fa3

16

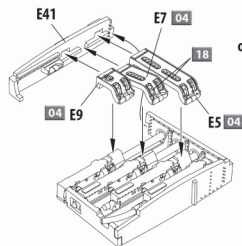
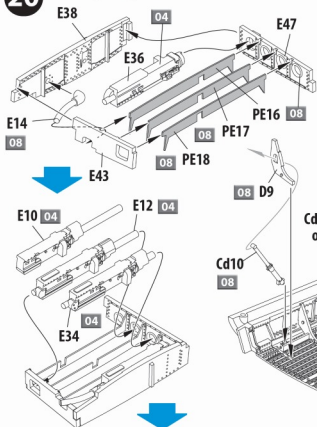


19

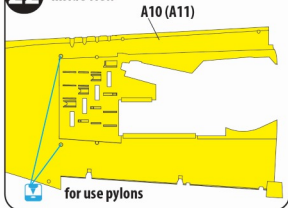


E32 only use with open wind hatches

20 Use only for open hatch on the wind

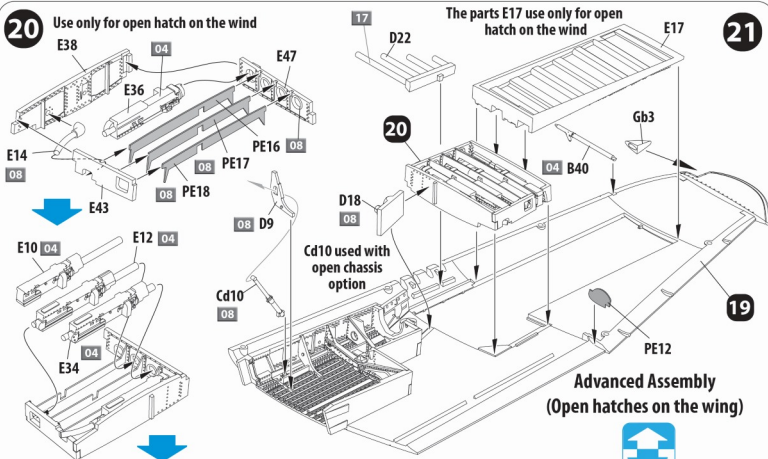


22 inside view



The parts E17 use only for open hatch on the wind

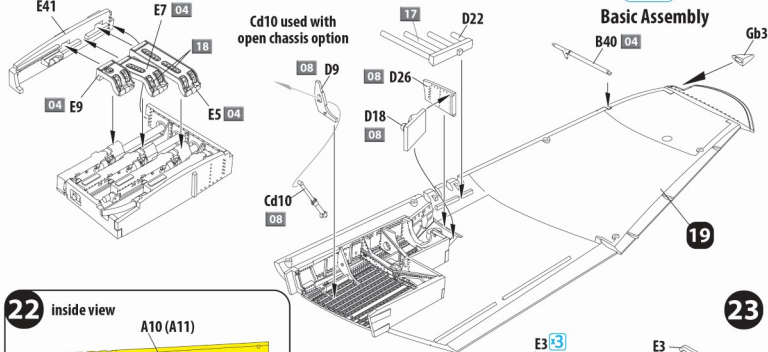
21



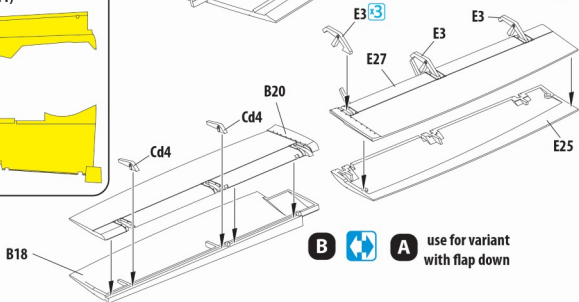
Advanced Assembly
(Open hatches on the wing)



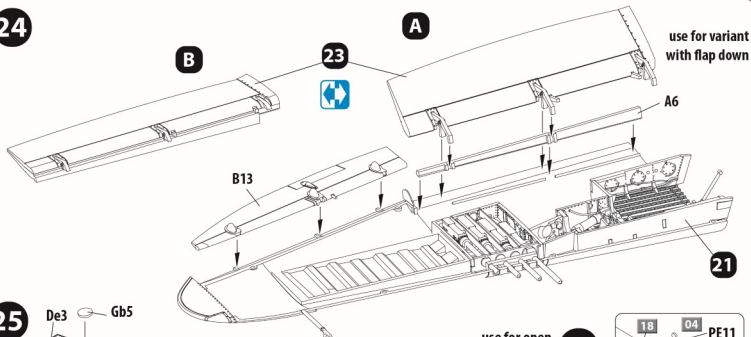
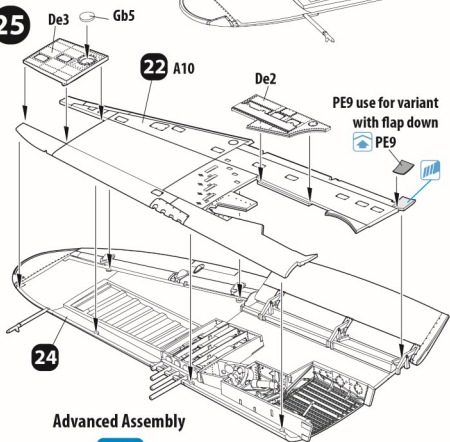
Basic Assembly



23



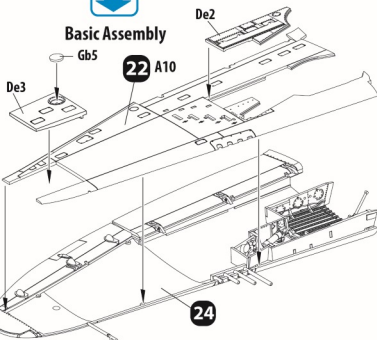
A use for variant with flap down

24**25**

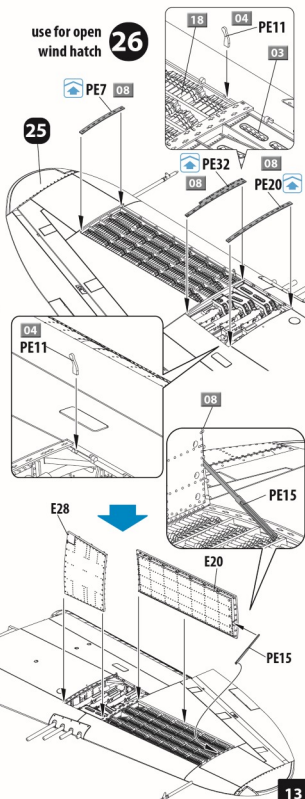
Advanced Assembly



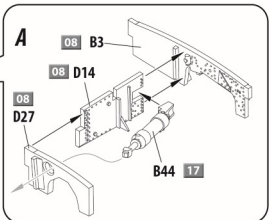
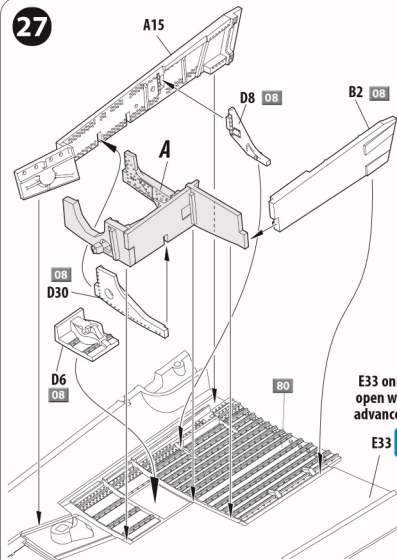
Basic Assembly



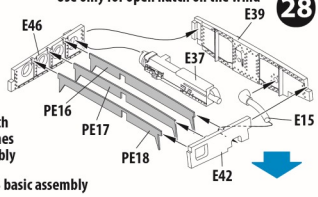
use for open wind hatch

26

27



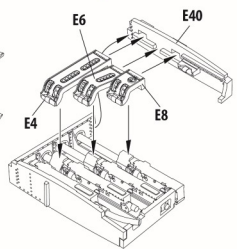
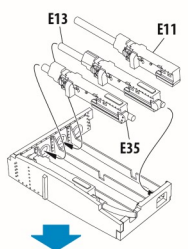
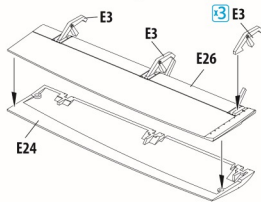
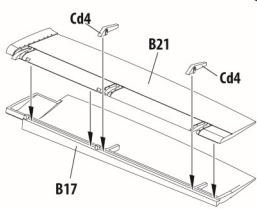
Use only for open hatch on the wind **28**



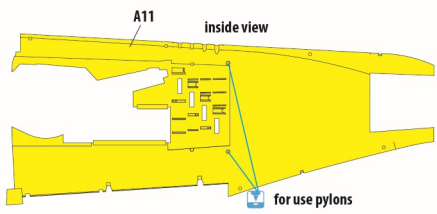
E33 only use with open wind hatches advanced assembly
E33 A13 basic assembly

29

B **A** use for variant with flap down



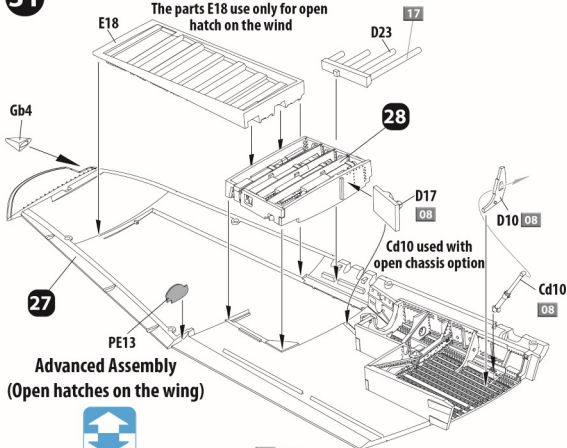
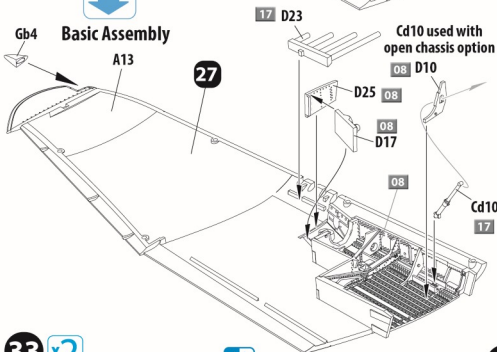
30



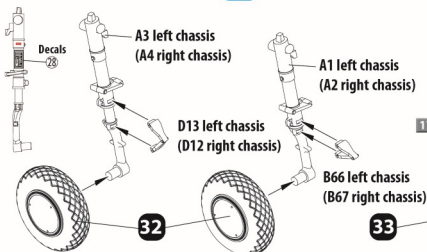
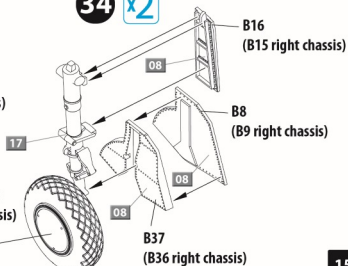
31

Use only for open hatch on the wind

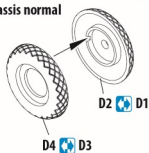
The parts E18 use only for open hatch on the wind

**27**Advanced Assembly
(Open hatches on the wing)

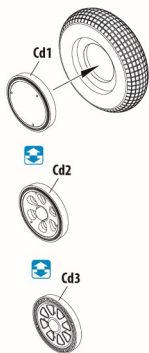
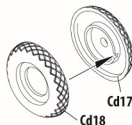
Basic Assembly

33**x2**chassis normal  chassis under load**34****x2****x2****32**

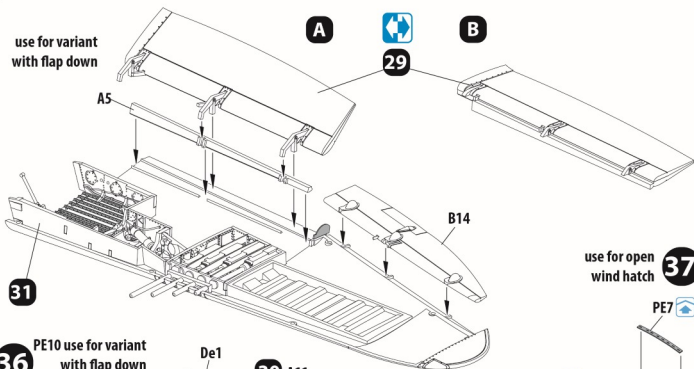
chassis normal



chassis under load

**15**

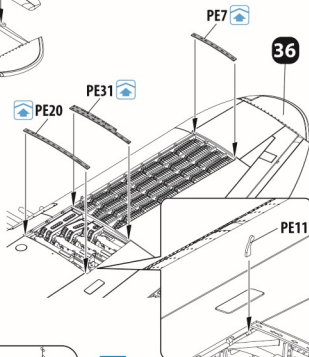
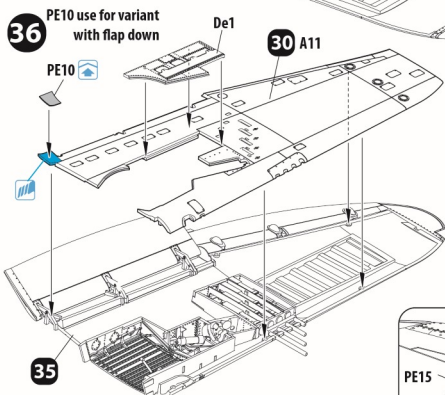
use for variant
with flap down



use for open
wind hatch

37

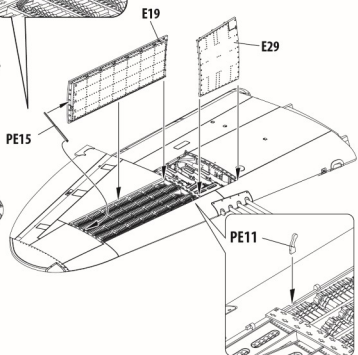
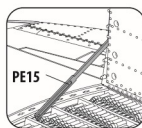
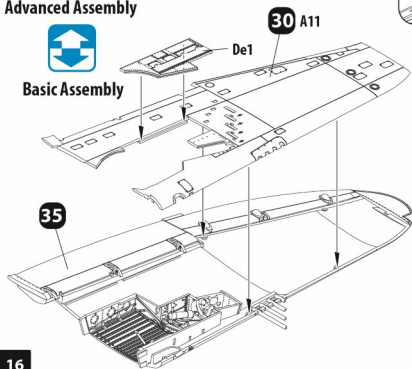
36 PE10 use for variant
with flap down

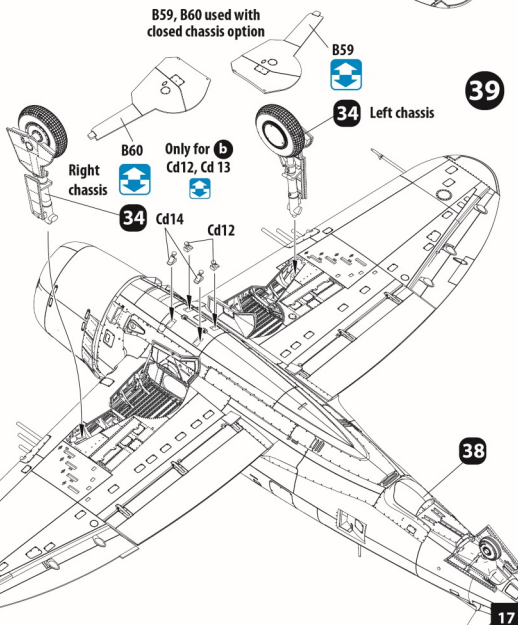
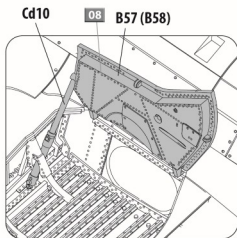
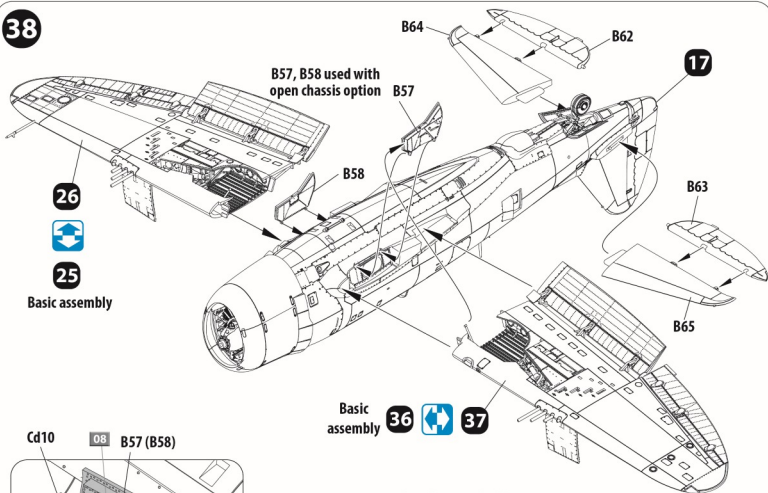


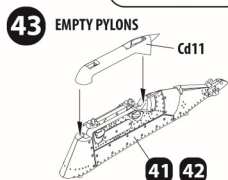
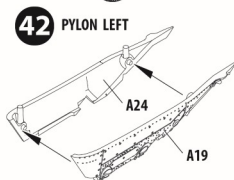
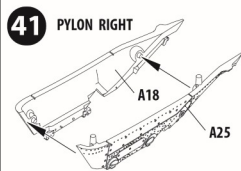
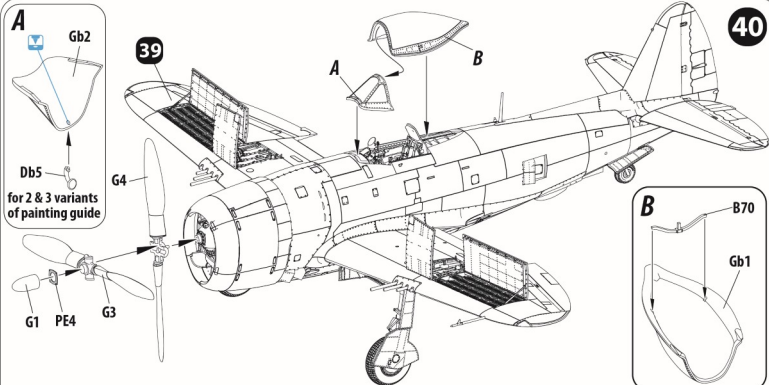
Advanced Assembly



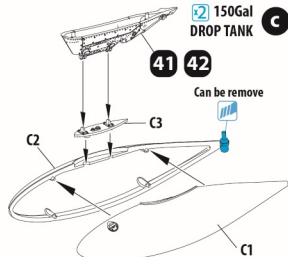
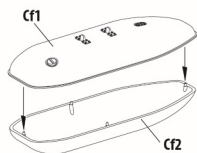
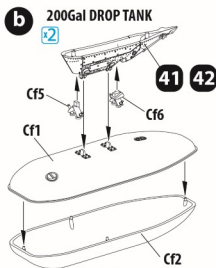
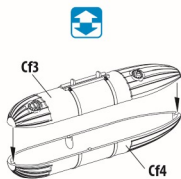
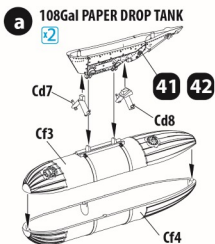
Basic Assembly



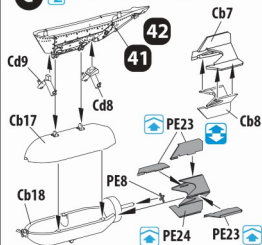
38



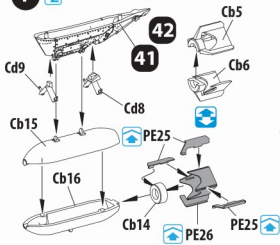
ARMAMENTS



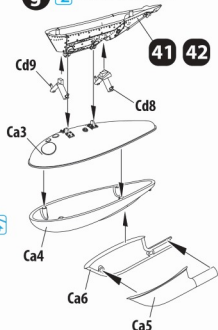
e 1000lb AN-M65 BOMBS



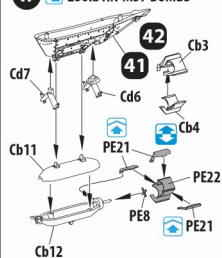
f 1000lb AN-M59 BOMBS



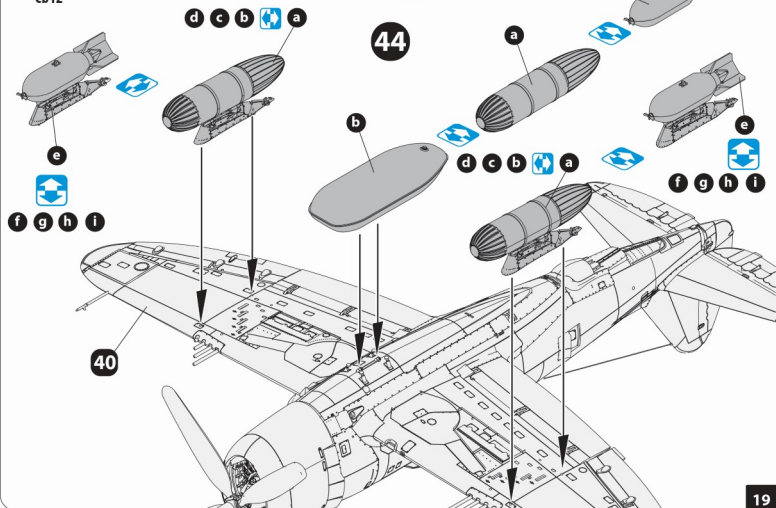
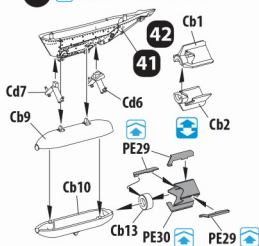
g SMOKE GRENADE

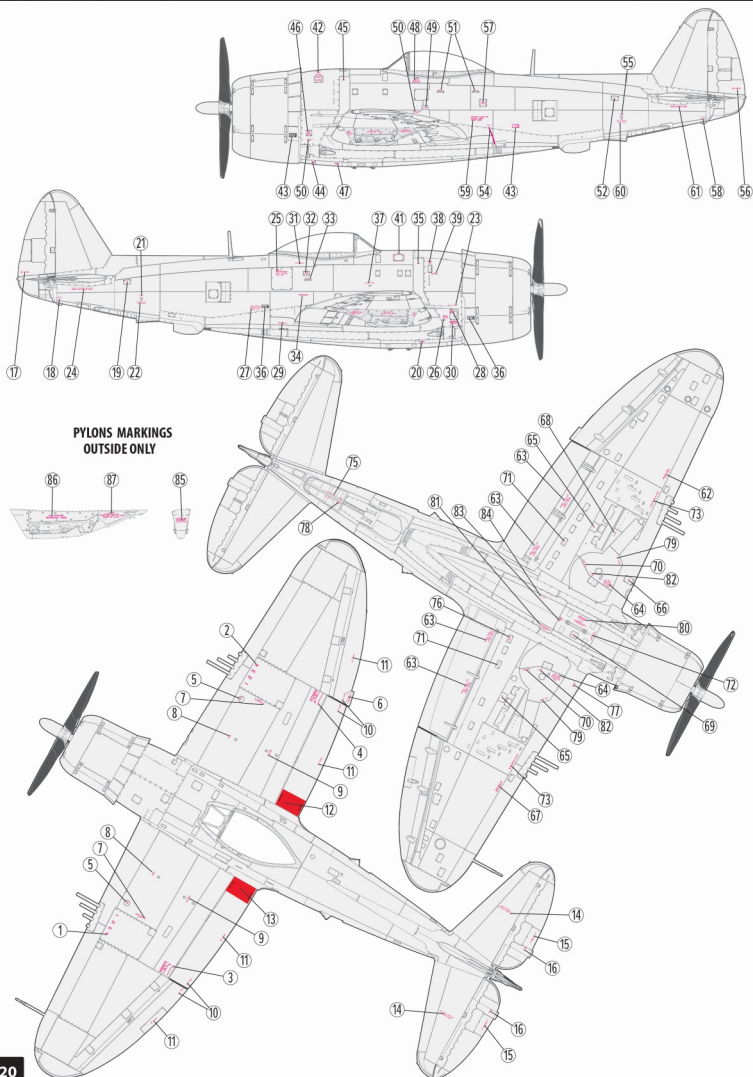


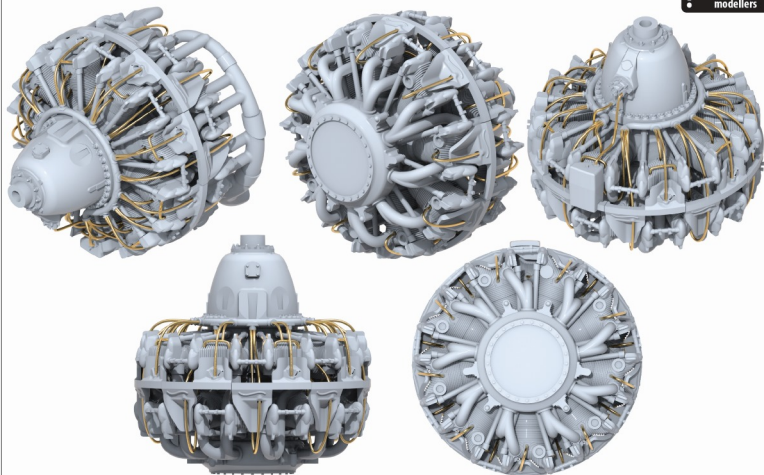
h 250lb AN-M57 BOMBS



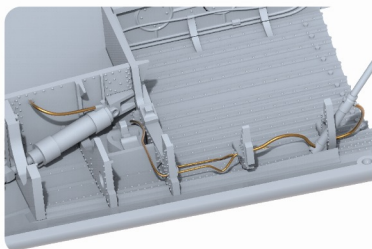
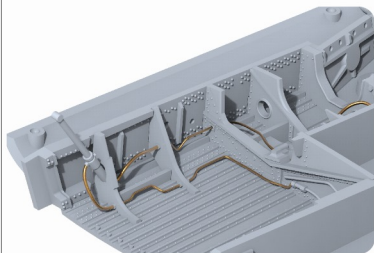
i 500lb AN-M58A1 BOMBS



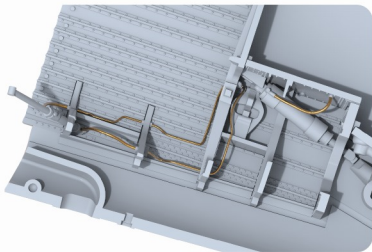
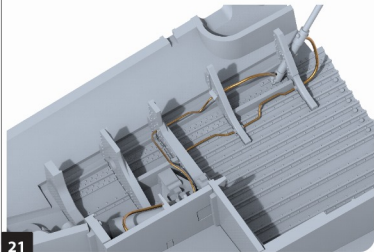




Wiring Diagrams of left Wing



Wiring Diagrams of right Wing



3 379th Fighter Squadron 362nd Fighter Group 9th Air Force. Germany Spring 1945
Pilot: Col. Joseph L. Laughlin



P-47D-30RA THUNDERBOLT ARMAMENT

250lb AN-M57 BOMBS



500lb AN-M58A1 BOMBS



1000lb AN-M59 BOMBS



1000lb AN-M65 BOMBS



BAZOOKA



108Gal PAPER DROP TANK



150Gal DROP TANK



75Gal DROP TANK



200Gal DROP TANK



SMOKE GRENADE


COLOR CHART

| No. | Color | Valspar | Mt. Color | AK RIC | Mission Models | AMHO MRC | Tempra | Color name |
|-----|-------|---------|-----------|--------|----------------|------------|--------|--------------------------------|
| 01 | | 71.137 | C-351 | RC-262 | MMP-059 | A.MIG-020 | XF-05 | FS 34151 (Interior Green) |
| 02 | | 71.062 | C-090 | RC-020 | MMH-008 | A.MIG-0194 | XF-16 | Aluminum |
| 03 | | 71.326 | C-321 | RC-018 | MMP-039 | A.MIG-0057 | XF-55 | Yellow Grey |
| 04 | | 71.057 | C-033 | RC-001 | MMP-047 | A.MIG-0046 | XF-01 | Black |
| 05 | | 71.043 | C-027 | RC-262 | MMP-059 | A.MIG-0207 | XF-04 | Olive Drab |
| 06 | | 71.083 | C-035 | RC-004 | MMP-063 | A.MIG-0045 | XF-07 | Red |
| 07 | | 71.107 | C-352 | RC-263 | MMP-067 | A.MIG-0221 | XF-07 | Red |
| 08 | | 71.109 | C-072 | RC-297 | MMP-071 | A.MIG-0062 | XF-18 | FS 33481 Zinc Chromate Yellow |
| 09 | | 71.325 | C-518 | RC-304 | MMP-052 | A.MIG-0240 | XF-02 | FS 35164 Intermediate Blue |
| 10 | | 71.078 | C-004 | RC-007 | MMP-041 | A.MIG-0125 | XF-03 | FS 34006 (AMA 01.3) Green Drab |
| 11 | | 71.016 | C-012 | RC-259 | MMP-091 | A.MIG-0207 | XF-02 | Yellow |
| 12 | | 71.074 | C-013 | RC-261 | MMP-114 | A.MIG-0239 | XF-20 | FS 23070 Dark Olive Drab |
| 13 | | 71.124 | C-302 | RC-260 | MMP-066 | A.MIG-0208 | XF-07 | FS 38152 Neutral Gray |
| 14 | | 71.046 | C-603 | RC-210 | MMP-102 | A.MIG-0011 | XF-19 | FS 34002 Medium Green |
| 15 | | 71.251 | C-137 | RC-022 | MMP-040 | A.MIG-0033 | XF-85 | Light Grey |
| 16 | | 71.007 | C-219 | AK-400 | MMH-009 | A.MIG-0197 | XF-12 | Tire Black |
| 17 | | 71.072 | C-028 | RC-476 | MMH-002 | A.MIG-0191 | XF-56 | Steel |
| 18 | | 71.072 | C-028 | RC-476 | MMH-002 | A.MIG-0191 | XF-56 | Steel |
| 19 | | 71.083 | C-035 | RC-004 | MMP-063 | A.MIG-0221 | XF-07 | Orange |

AIRPLANES SERIES

SCALE 1:48

P-47D-25RE THUNDERBOLT

PLASTIC MODEL KIT THIS PRODUCT DOES NOT CONTAIN MODEL OF AERIAL EQUIPMENT
REPAIRS ARE INCLUDED 3 COLOUR OPTIONS

AIRPLANES SERIES

48001

MiniArt

SCALE
1:48

ADVANCED KIT



P-47D-30RE THUNDERBOLT

AIRPLANES SERIES 48023

PLASTIC MODEL KIT THIS PRODUCT DOES NOT CONTAIN MODEL OF AERIAL EQUIPMENT
REPAIRS ARE INCLUDED 3 COLOUR OPTIONS

886TH22

1:48

MiniArt

basickit