

**INTERIOR KIT**  
INTERIOR IS ACCURATELY REPRESENTED

WWII MILITARY MINIATURES SERIES

# M3 LEE

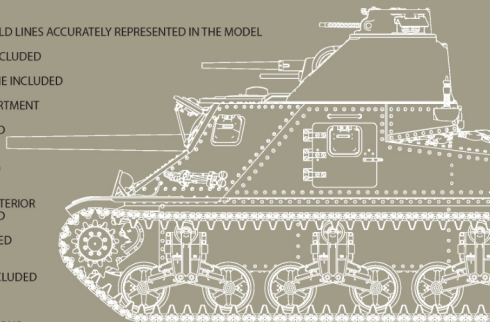
## MID PROD

35209



## GENERAL INSTRUCTION

- HIGHLY DETAILED MODEL
- METAL SURFACES AND WELD LINES ACCURATELY REPRESENTED IN THE MODEL
- WORKABLE T41 TRACKS INCLUDED
- CONTINENTAL R975 ENGINE INCLUDED
- DETAILED ENGINE COMPARTMENT
- ACCURATELY REPRESENTED INTERIOR OF TURRET
- FULLY DETAILED FIGHTING COMPARTMENT INTERIOR
- DRIVER COMPARTMENT INTERIOR ACCURATELY REPRESENTED
- ALL HATCHES CAN BE POSED OPEN & CLOSED
- PHOTO-ETCHED PARTS INCLUDED
- CLEAR PARTS INCLUDED
- DECALS SHEET FOR 5 OPTIONS



SCALE  
**1:35**

**MiniArt**

PAINTING GUIDE

**1** 2nd Battalion 13th Armored Regiment 1st Armored Division.  
Tunisia, Souk El Khemis, November 1942



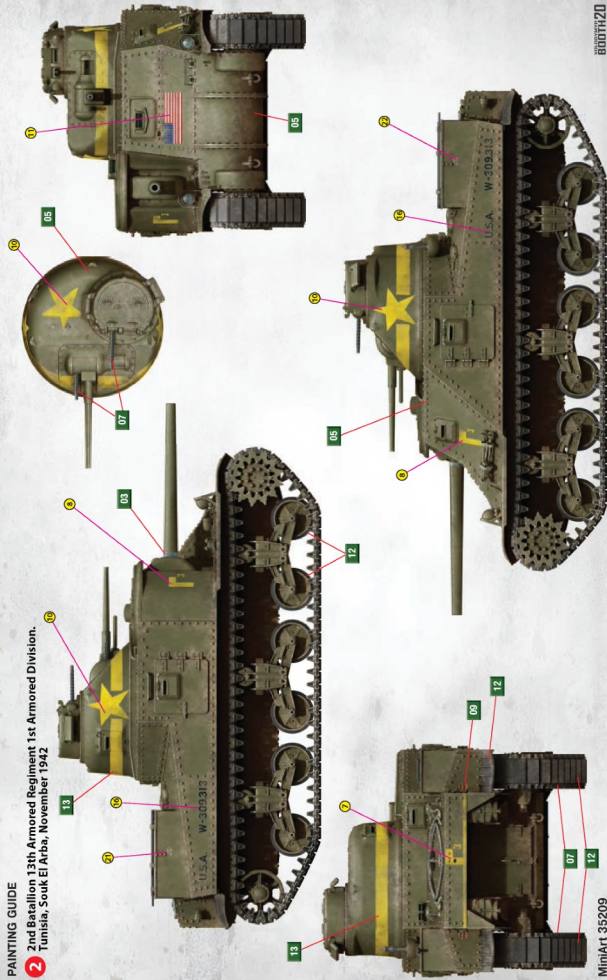
# M3 LEE MID PROD

SCALE  
1:35



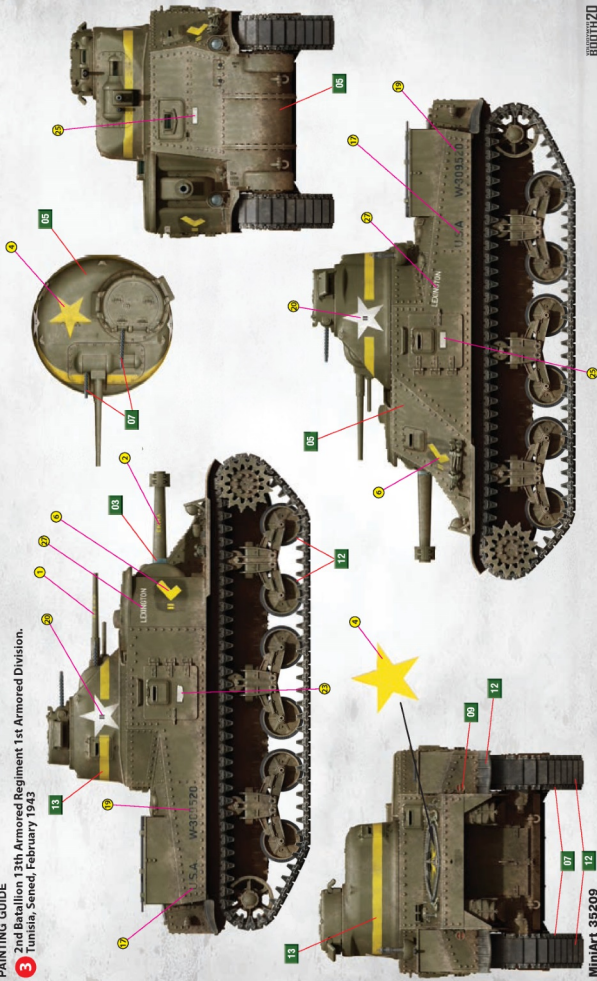
## PAINTING GUIDE

- 2** 2nd Battalion 13th Armored Regiment 1st Armored Division.  
Tunisia, Souk El Arba, November 1942



PAINTING GUIDE

**3** 2nd Battalion 13th Armored Regiment 1st Armored Division.  
Tunisia, Sened, February 1943



**ATTENTION**  
Ne pas utiliser de colle ou de peinture à proximité d'une flamme nue, et éviter la pièce de temps en temps.  
Pour retirer les pièces hors du cadre, utiliser des ciseaux spéciaux pour maquette le plastique en excès avec un cutter ou une lime.  
Vor la fin de cette colonne pour la signification des symboles.  
Après l'assemblage peut rester des pièces inutilisées.

**ZUR BEACHTUNG**  
Kleber und Farbe nicht nahe von offenem Feuer verwenden und das Fenster von Zeit zu Zeit zur Belüftung öffnen.  
Zum Abschneiden der Teile vom Verblättdruck eine Modellerschere verwenden und die Überstehenden Plastikteile mit einem Meißel oder einer Feile beseitigen.  
Die Bedeutung der Symbole finden Sie unten in dieser Spalte.  
Nach dem Zusammenbau des Modells, können einzelne Teile übrig bleiben.

**УВАГА**  
При використанні клею та фарби всі роботи проводити надаль від джерела вогню, а приміщення, що добре провітрюється.  
Деталі відкриваючи від лінійки ножем або іншим ручним інструментом. Зачистити обидві і місце зрізу за допомогою наждак та надного ланеру. Вудження моделі вакуумувати згідно зі схемою. Для зручності побудови кресла деталі пронумеровані номером.  
Після складання можуть залишатися невикористані деталі.

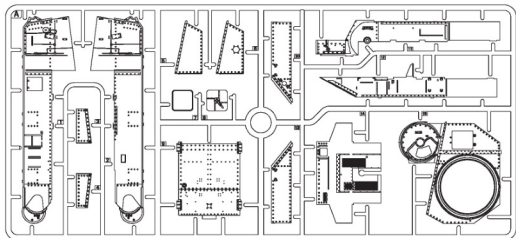
**ATTENZIONE**  
Non usare colla o vernici vicino a fiamme scoposte, e aprire le finestre di tanto in tanto per cambiare l'aria. Quando si staccano parti del cartello, usare forbici da modellismo e eliminare la plastica in eccesso con un coltello o una lima. Vedere in fondo a questa colonna per il signif. Dopo l'assemblaggio possono rimanere parti inutilizzate.

**ВНИМАНИЕ**  
При использовании клея и красок все работы производить в проветриваемом помещении вдаль от источников огня. Детали отделять от линии ножем или другим ручными инструментами. Зачистить обод и места среза при помощи наждак и надной бумаги. Сборку моделей проводить согласно схеме сборки.  
Для удобства сборки каждая деталь обозначена номером. После сборки набора могут остаться неиспользованные детали.

**CAUTION**  
When you use glue or paint, do not use near open flame, and use in well ventilated room. When you take parts off from the runner frame, use modelling scissors or cutter.  
See the bottom of this column for the meaning of symbols.  
Extra details can remain after assembling of the kits.

**PARTS**

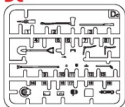
**A**



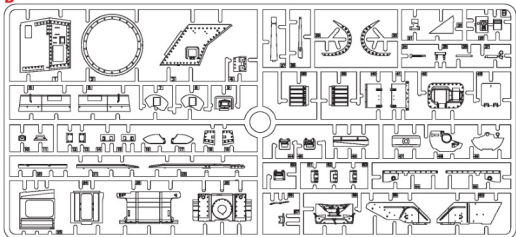
**Db x2**



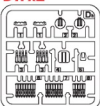
**Dc**



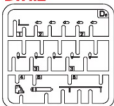
**B**



**Dh x2**



**Dn x2**



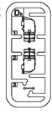
**Eb x4**



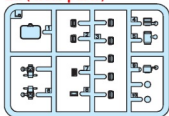
**Ea x4**



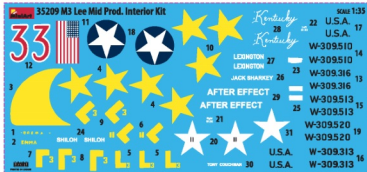
**Dk x2**



**La (Clear parts)**



**Decal**



**PE parts**





MADE FROM  
2 TELLE PORTBLOK  
EFFICIENTE E PRECISE  
FARE DUE PEZZI  
150 x 400  
DOR 2 ST  
КОМПОНЕЛЫ ДВА ПИДА  
ВЪЗРАСТЪ ПАЗИВ



DO NOT CEMENT  
NEHT ALLEEN  
NE PAS COLLER  
NON INCOLLARE  
СЪБИВАЙТЕ  
ЛИМАЖЪ  
НЕ ПОКЪЛЮВАЙТЕ КИЛИ  
НЕ КЛЕЙТЕ



OPTIONAL  
НАЧИ БЕЛЕЖЕН  
PAGLI TATE  
FACOLTATIVO  
VALANNAHANNAN  
VALSARI  
BAHANNATI  
BAHANNATI



OPEN HOLE  
OPIENEN  
FARE UN TROU  
FORO APERTO  
VALA NICKA  
OPNA IAJET  
СЪБИВАЙТЕ СЪОБЩИТЕ  
СЪОБЩИТЕ СЪРЪ



REMOVE  
ENTFERNEN  
RETOUR  
SEPARARE  
ROEST  
ALLAGSINA  
OTKRYVA  
BUPSAFI



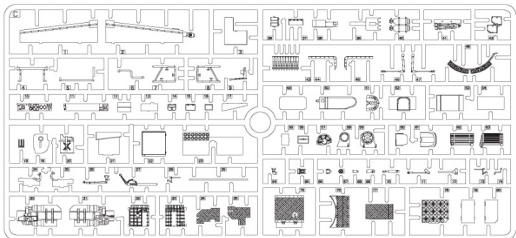
SEND  
SEITE BEISEN  
PLACE IN YOUR PLANT  
PLACARE  
PUNTA  
SOCCA  
BACHYTH  
BACHYTH



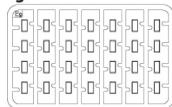
SCRATCH BUILD  
AM MEISTEN ZU MACHEN  
FARE LE PLUS  
REZNTI  
TEB ERE  
COBI DIO SULLY  
СЪБИВАЙТЕ СЪОБЩИТЕ  
СЪОБЩИТЕ СЪОБЩИТЕ

## PARTS

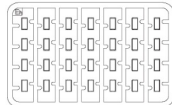
C



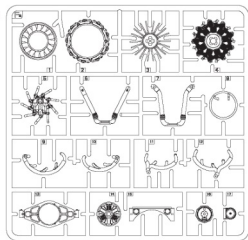
Eg x6



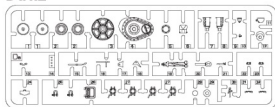
Eh x6



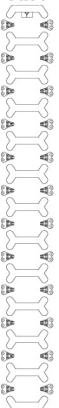
Fa



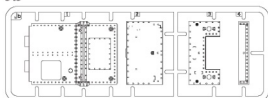
Da x2



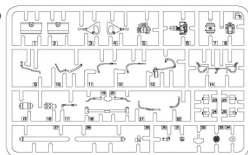
Y x14



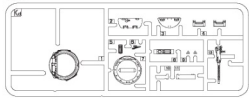
Jb



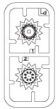
Fb



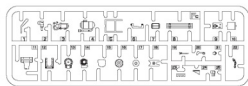
Kd



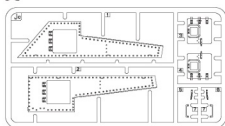
Ld x2



Fc



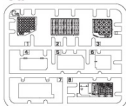
Jc



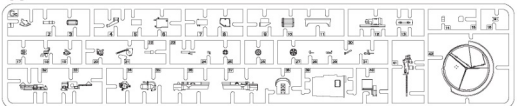
Le



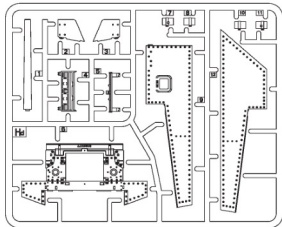
Ga



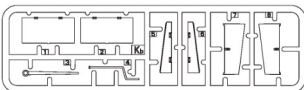
Gc



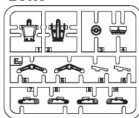
Hd



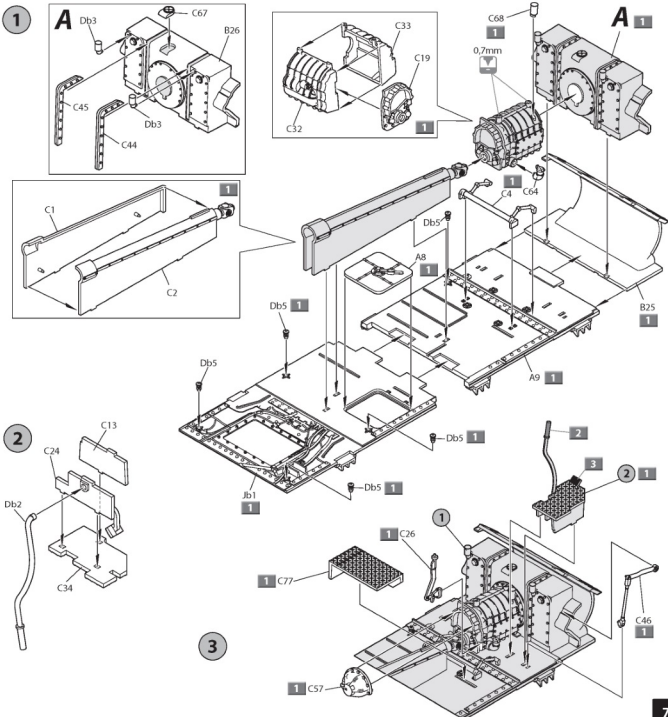
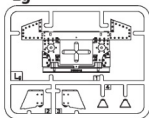
Kb

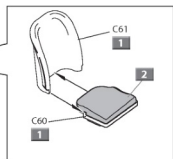
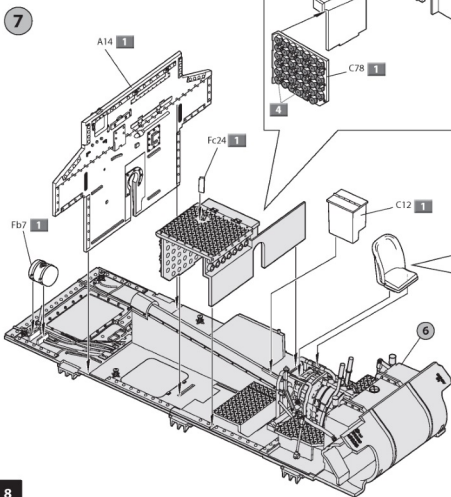
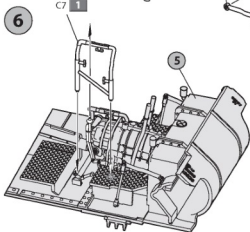
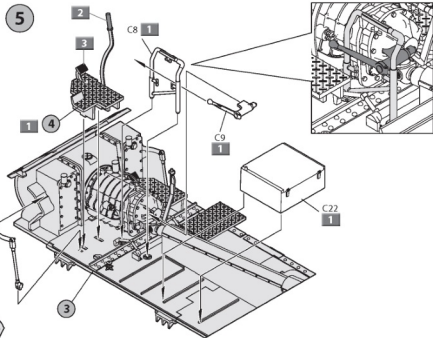
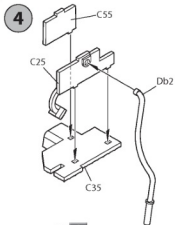


Ec x6



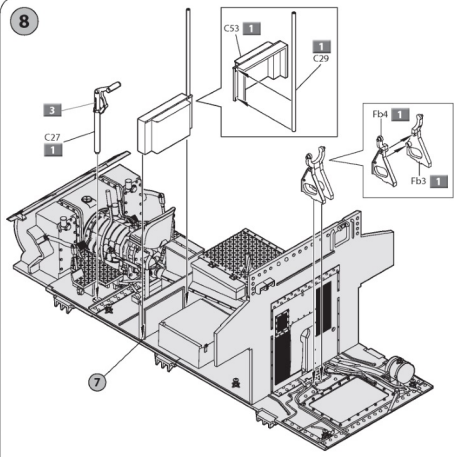
Lg





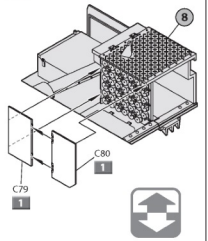


8

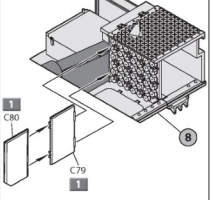


9

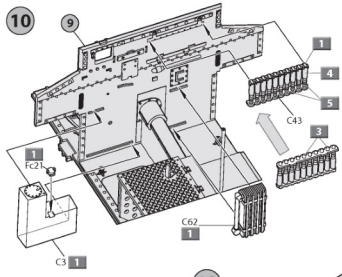
Close variant



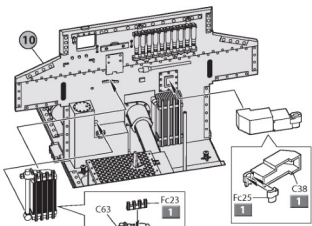
Open variant



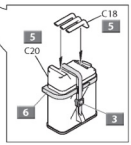
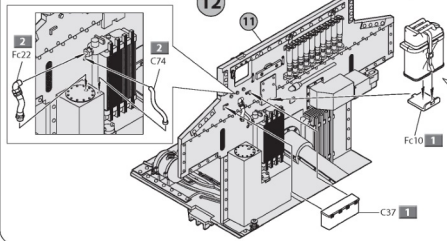
10



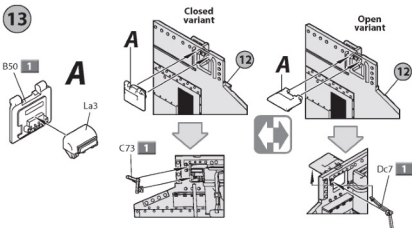
11



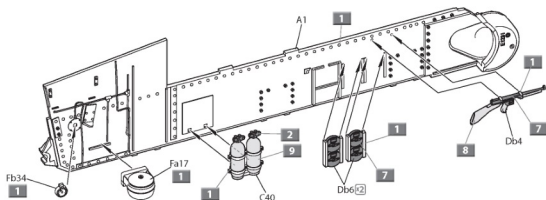
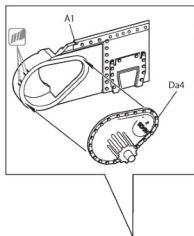
12



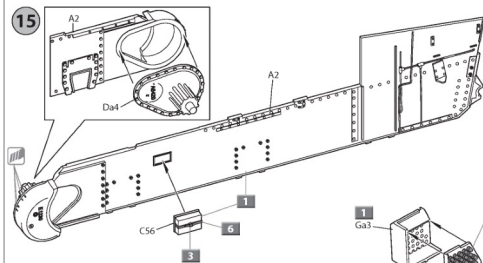
13



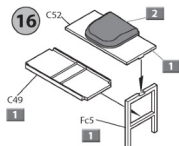
14



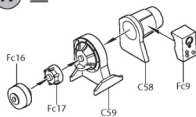
15



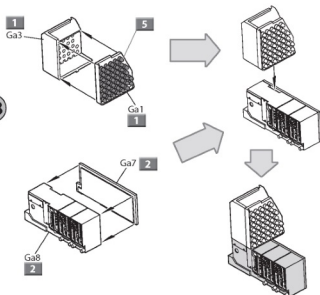
16



17

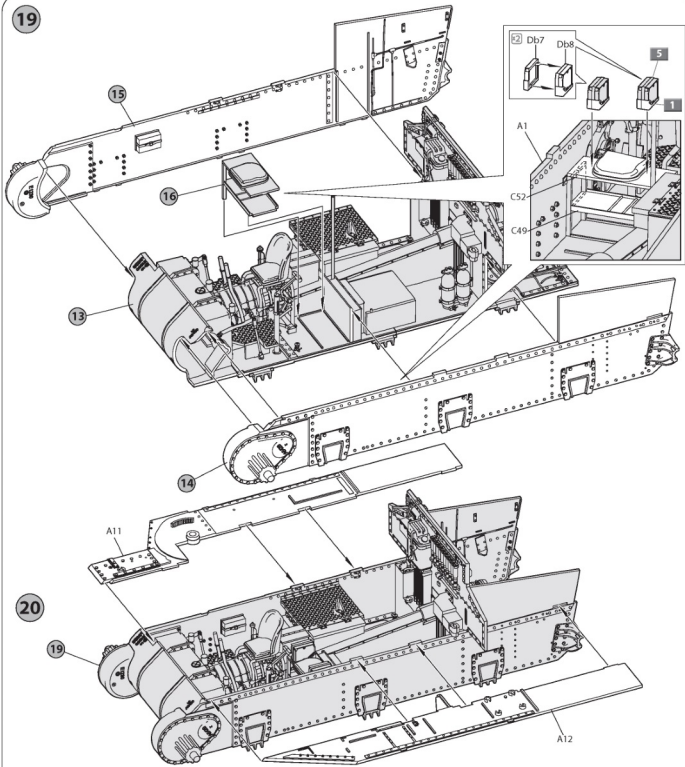


18

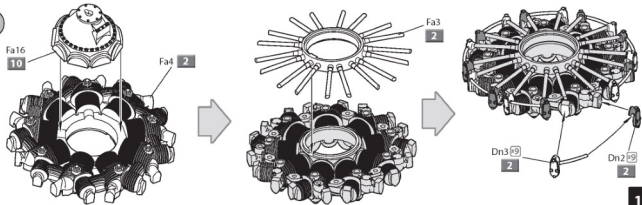


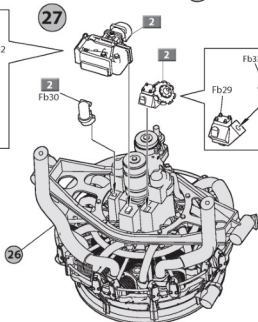
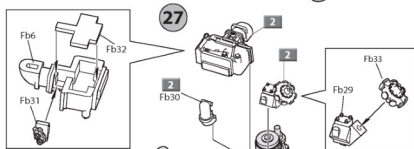
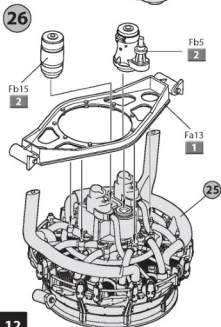
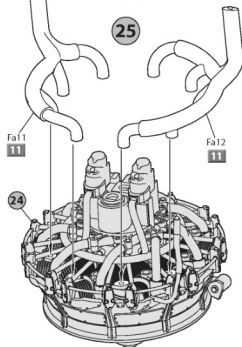
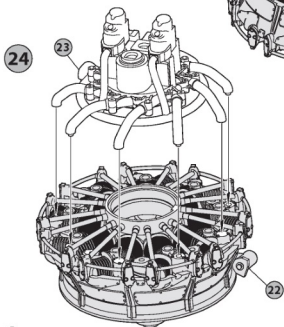
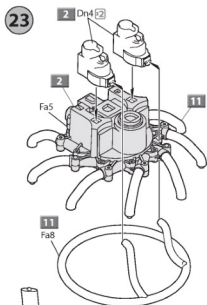
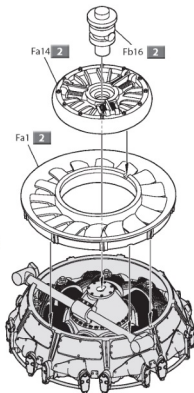
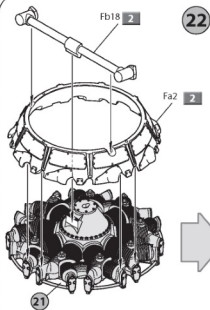
10

19

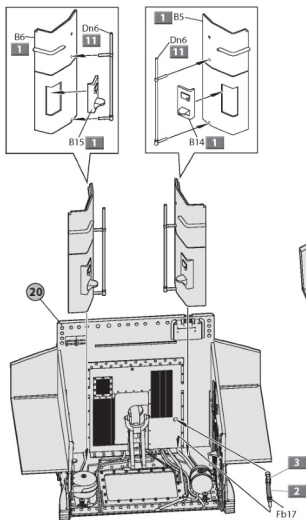


21

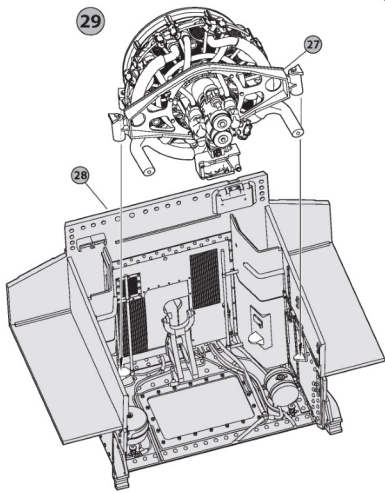




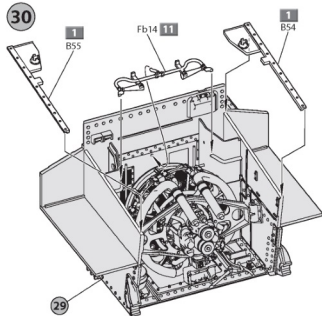
28



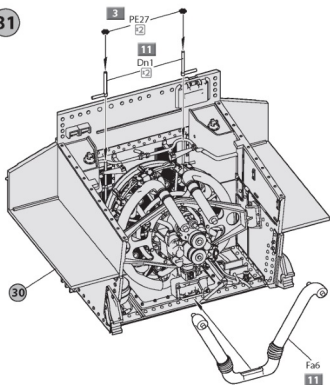
29



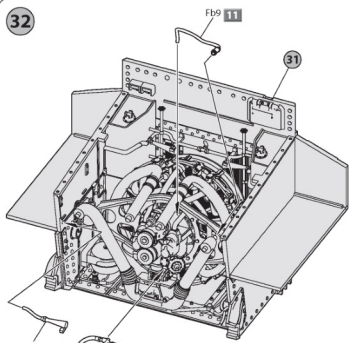
30



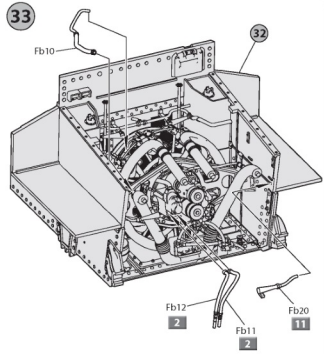
31



32



33



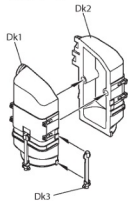
Fb19  
11

Fb12  
2

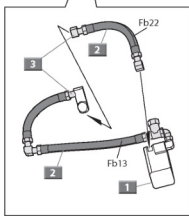
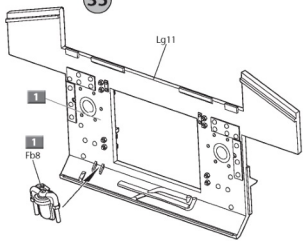
Fb11  
2

Fb20  
11

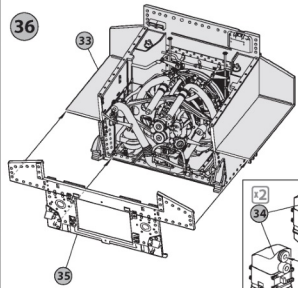
34 x2



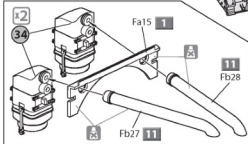
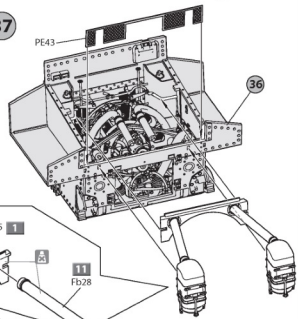
35



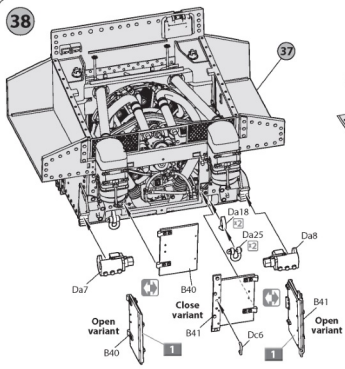
36



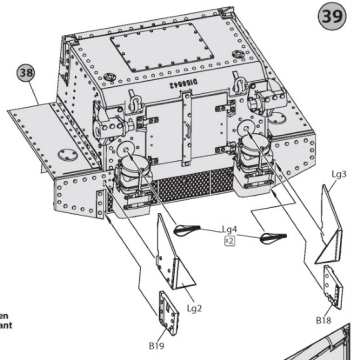
37



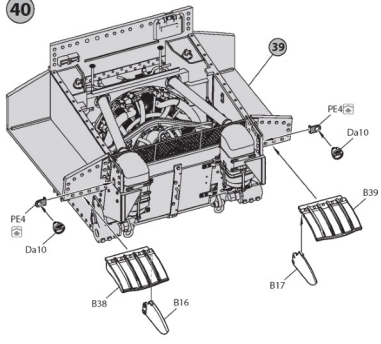
38



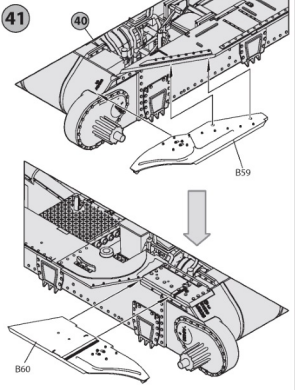
39



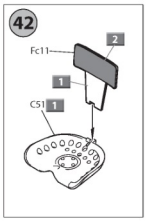
40



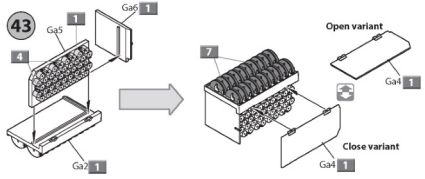
41



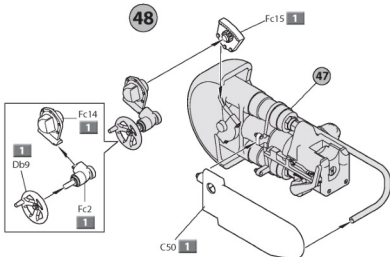
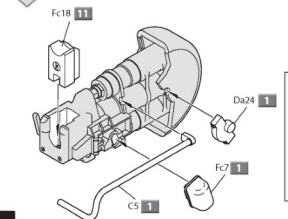
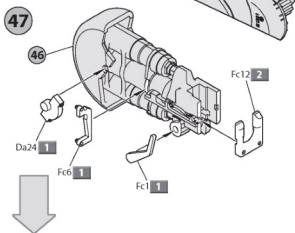
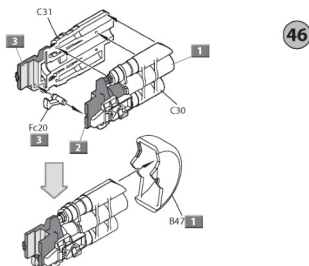
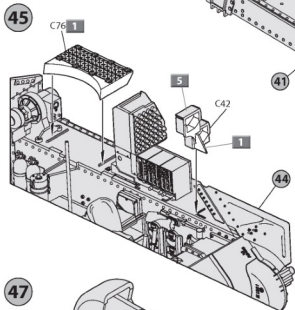
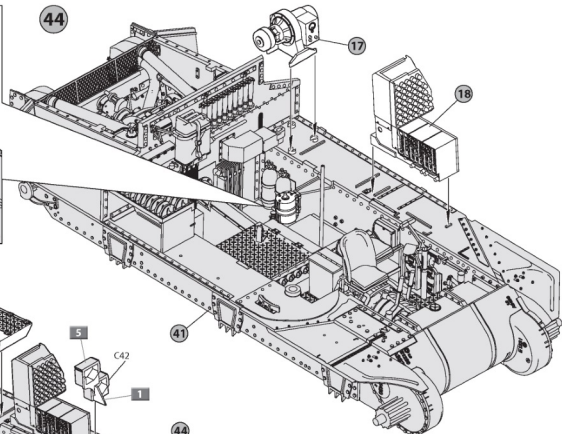
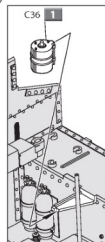
42



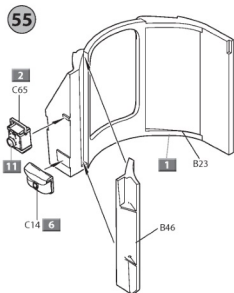
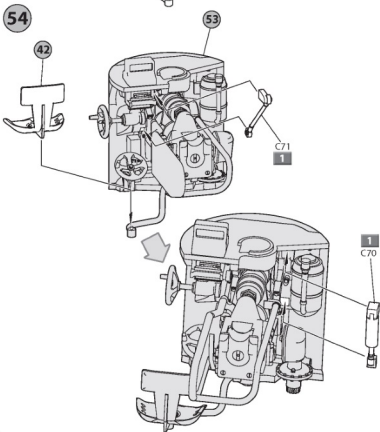
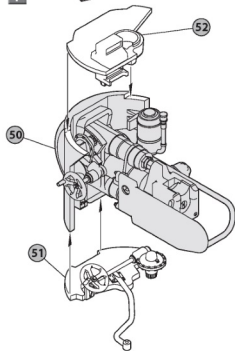
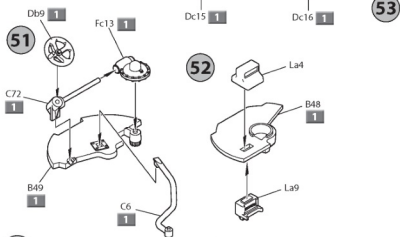
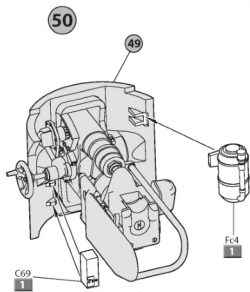
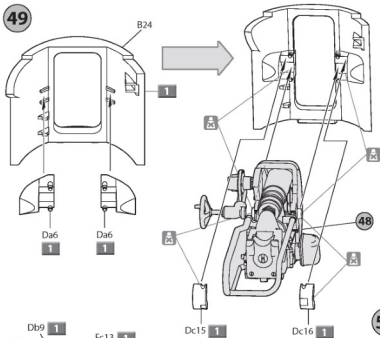
43



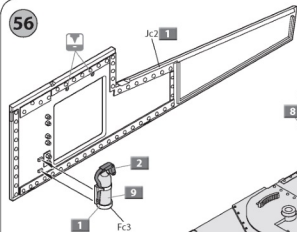
15



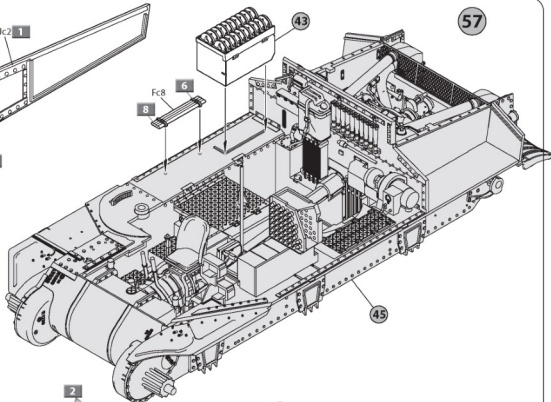




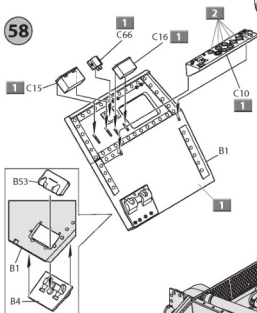
56



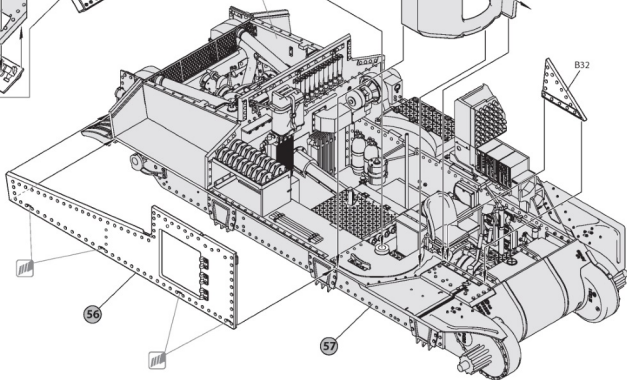
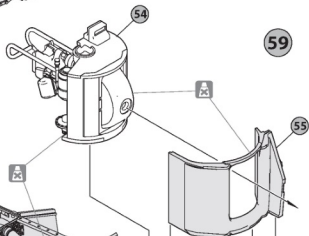
57

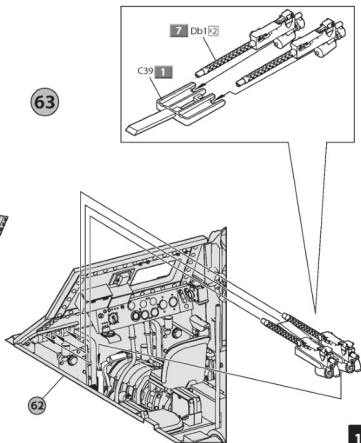
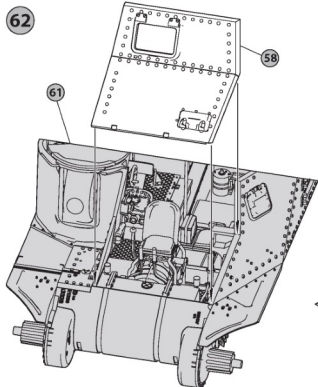
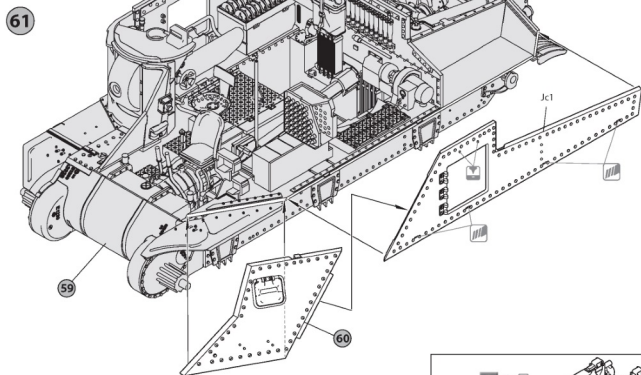
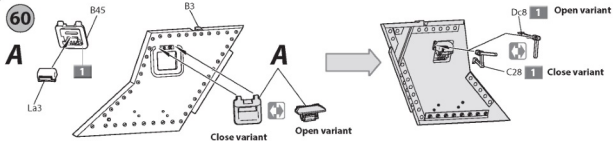


58

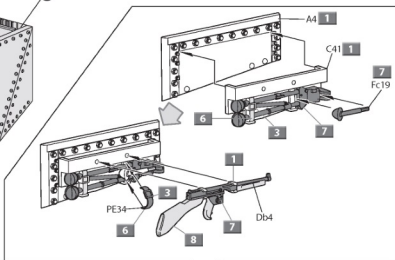
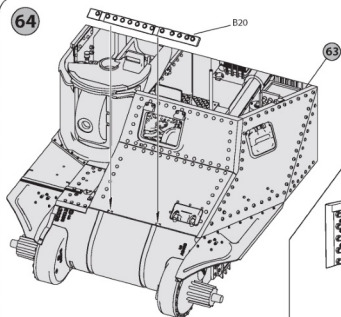


59

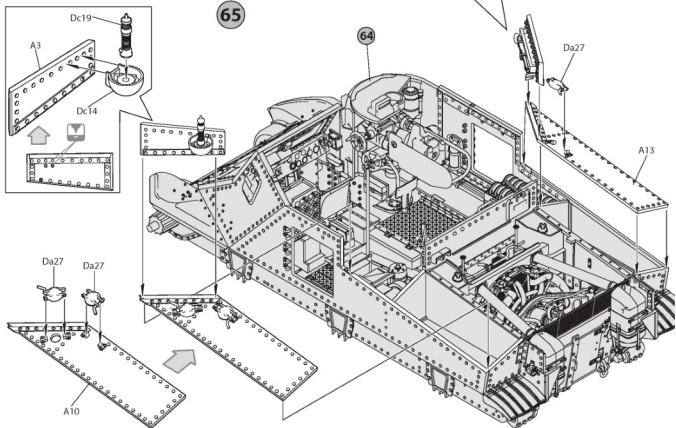




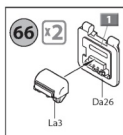
64



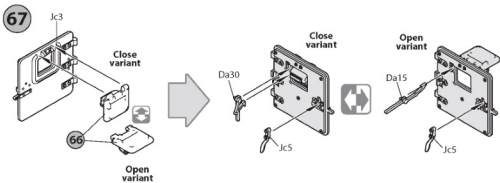
65



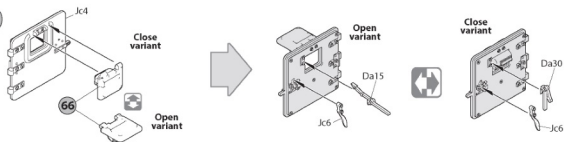
66 x2



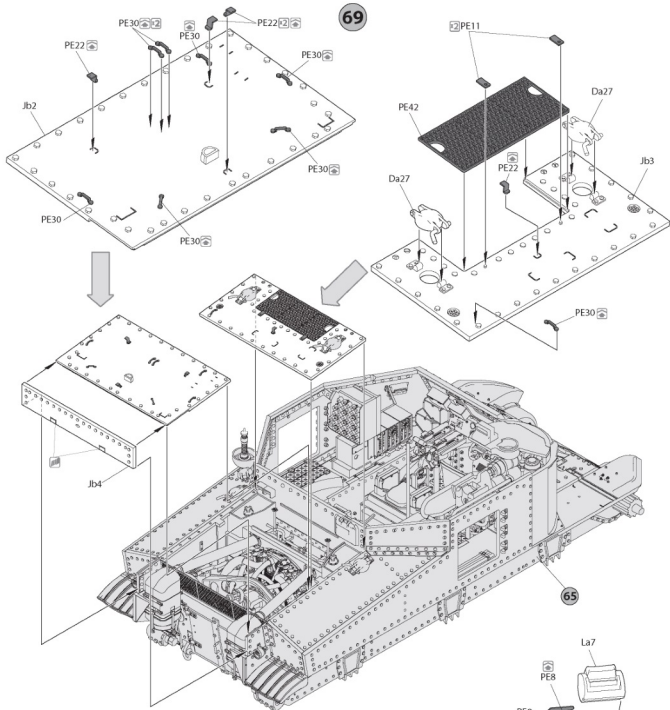
67



68

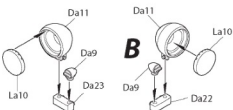


69



70

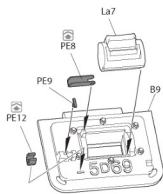
A



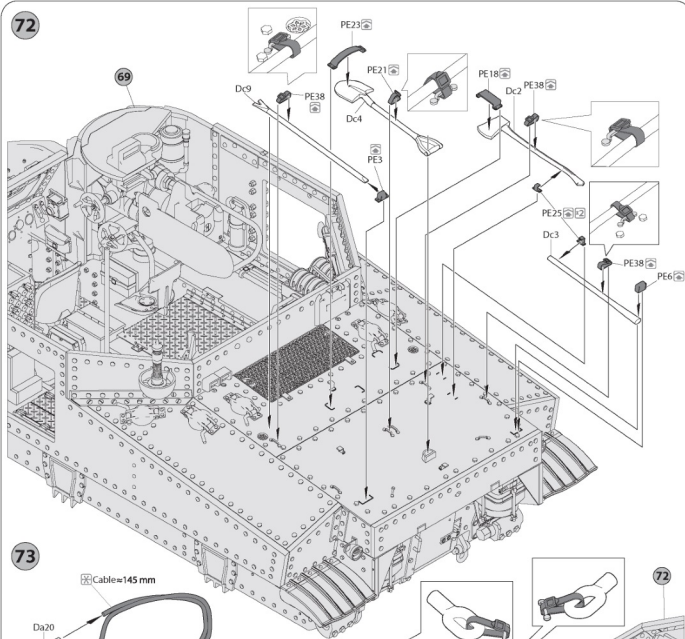
B



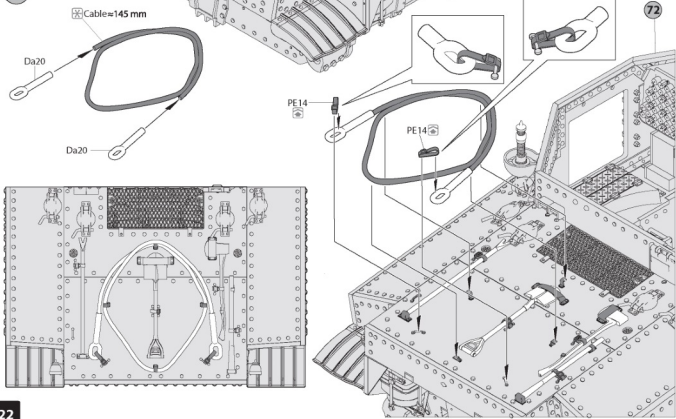
71



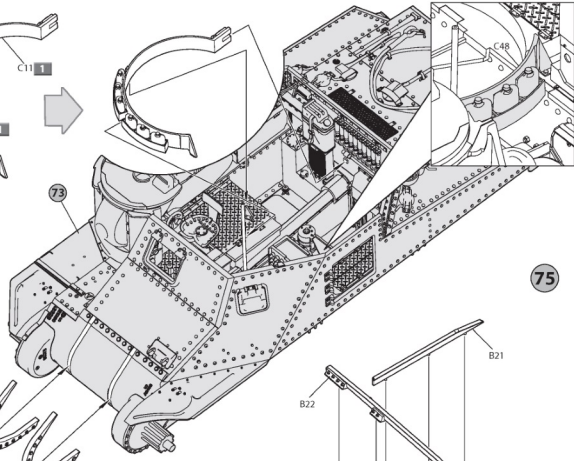
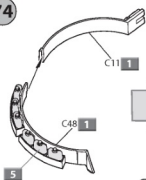
72



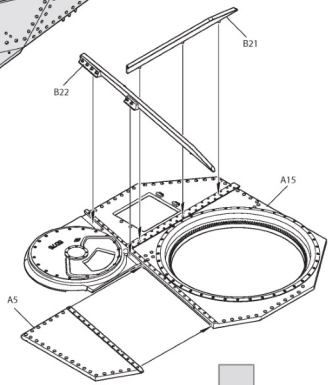
73



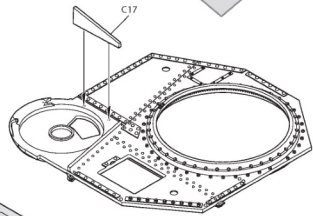
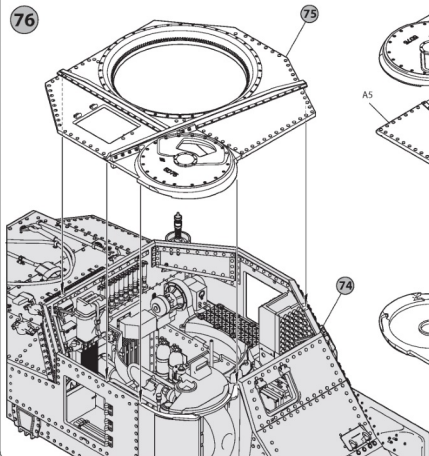
74



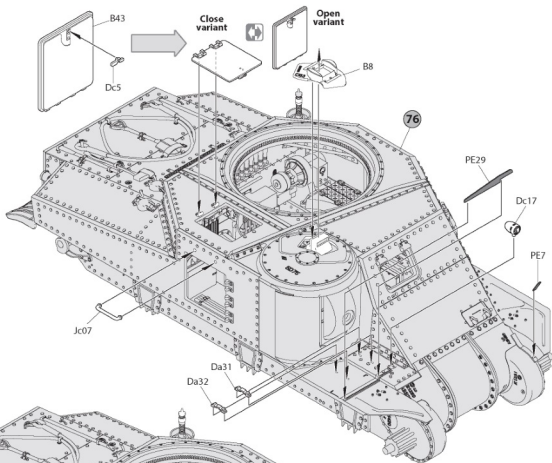
75



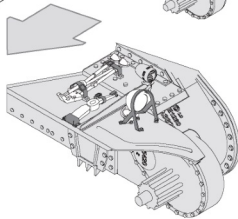
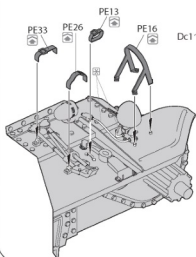
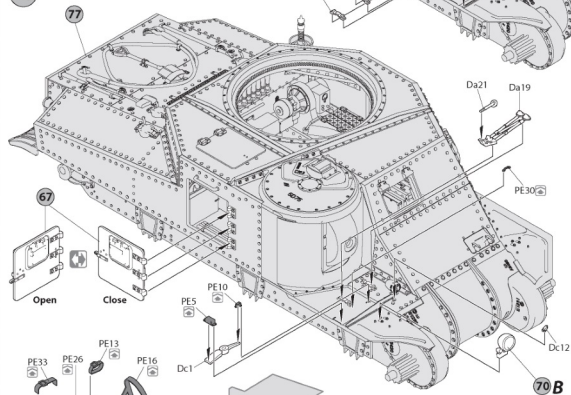
76



77

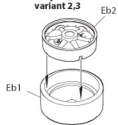


78



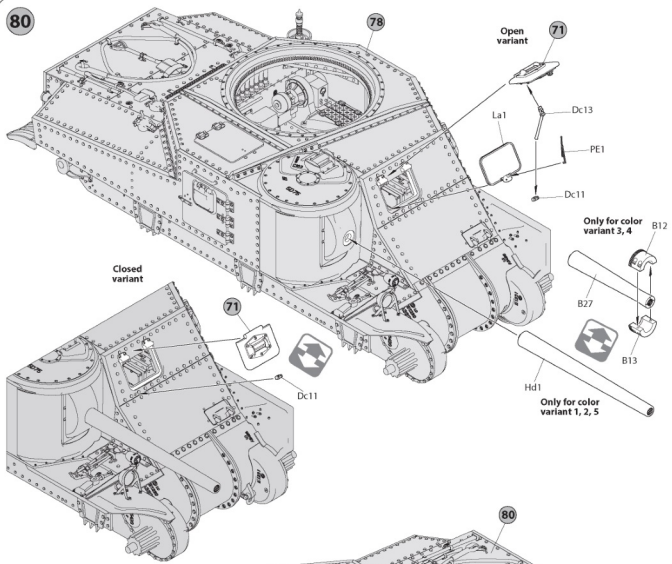
79 x12

Only for color variant 2,3

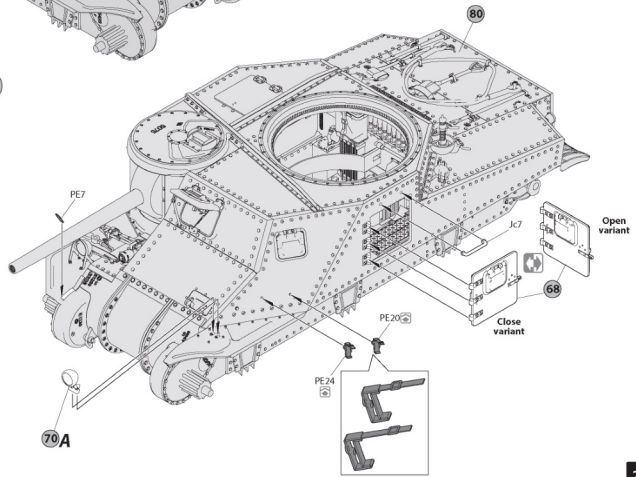




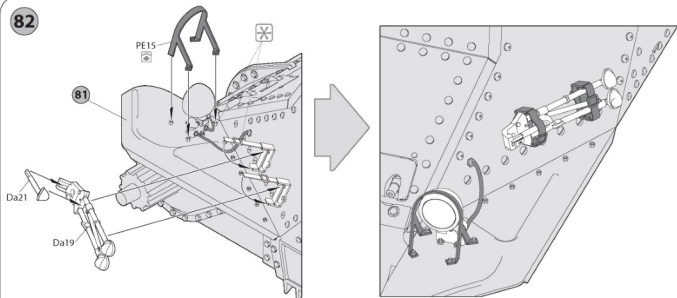
80



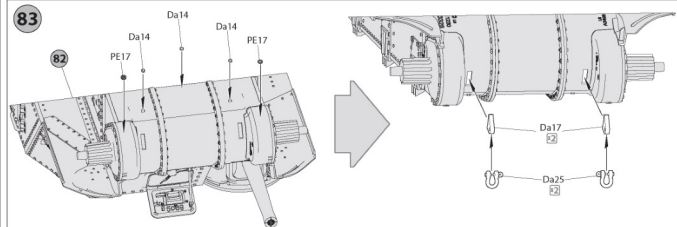
81



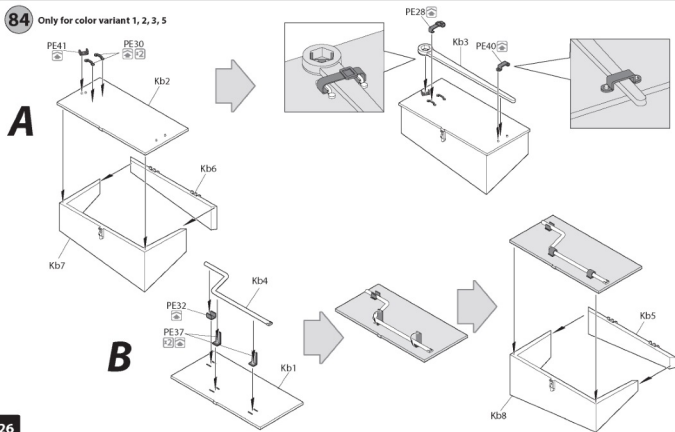
82



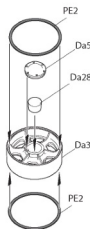
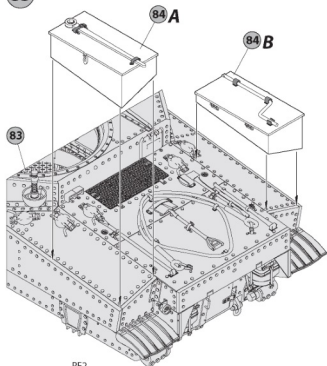
83



84 Only for color variant 1, 2, 3, 5

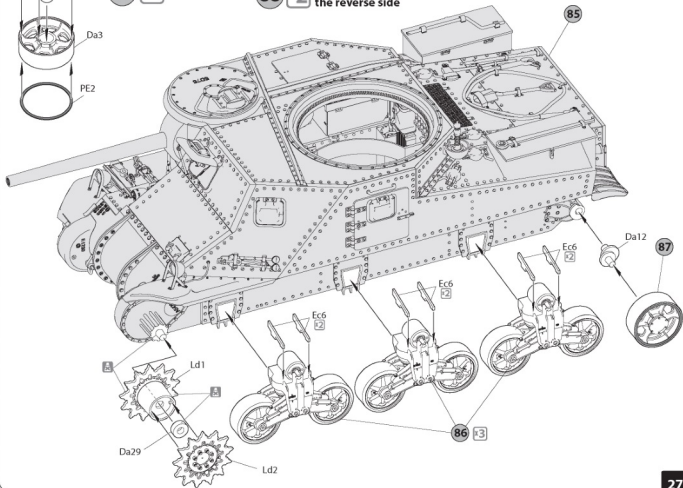


**85** Only for color variant 1, 2, 3, 5



**87** x2

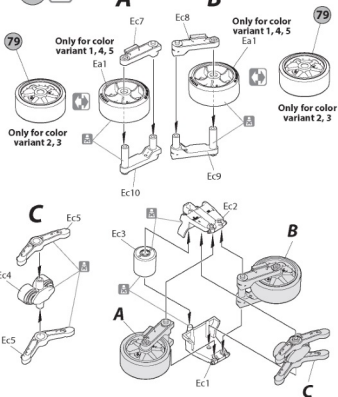
**88** x2 Repeat on the reverse side



**86** x6

**A**

**B**



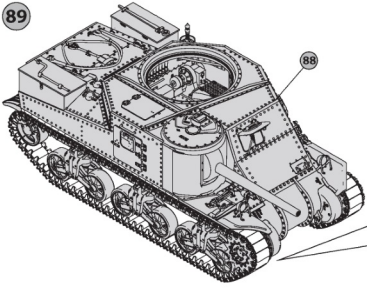
**79**

Only for color variant 2, 3

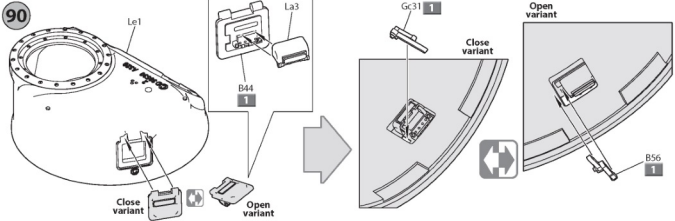
**87**

**86** x3

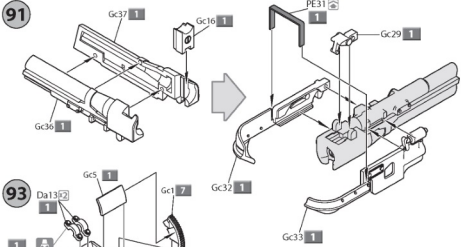
89



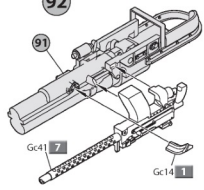
90



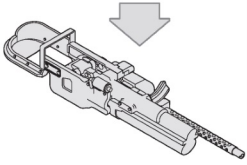
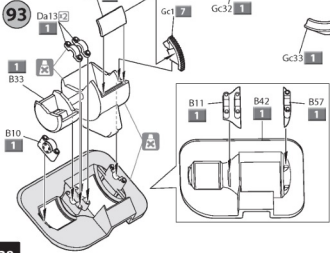
91



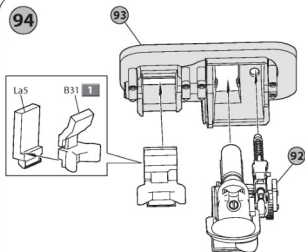
92



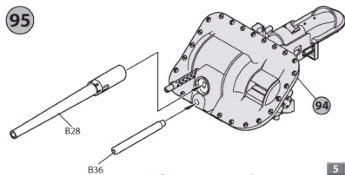
93



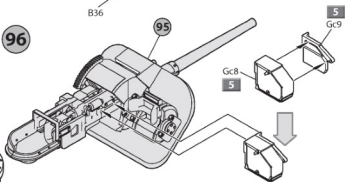
94



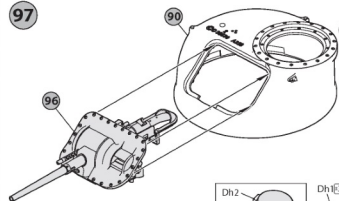
95



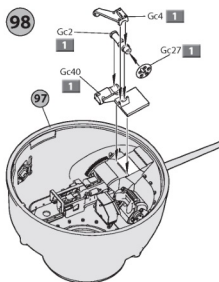
96



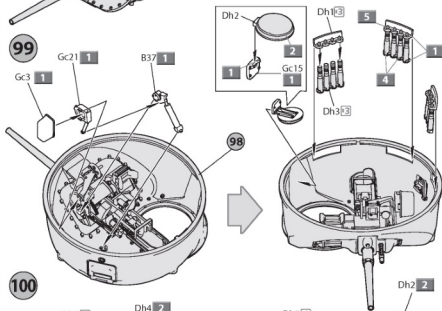
97



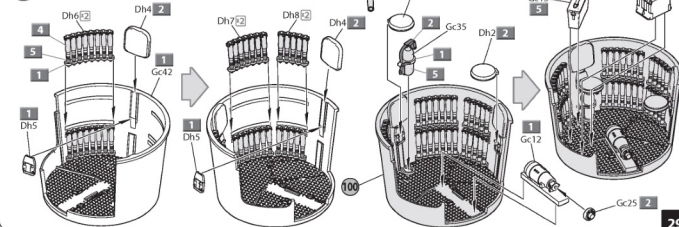
98



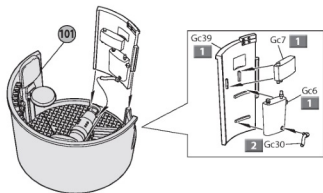
99



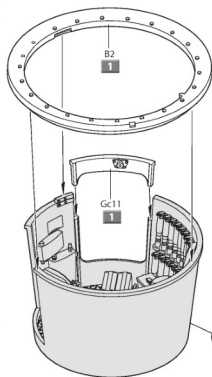
100



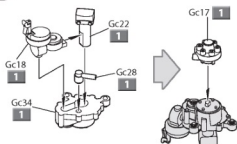
102



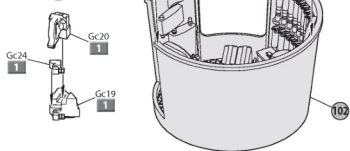
103



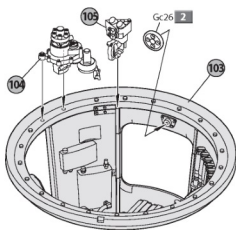
104



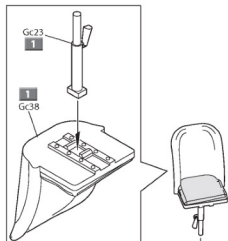
105



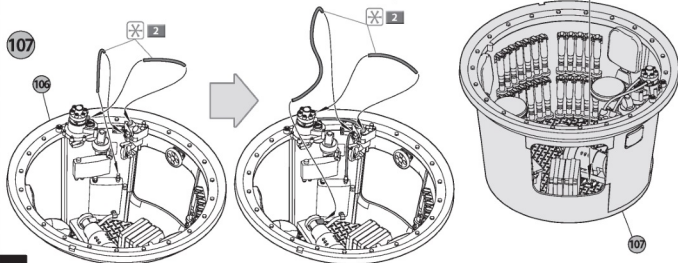
106



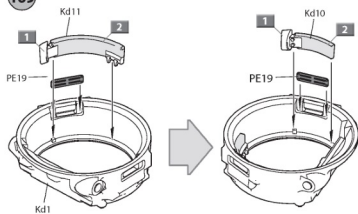
108



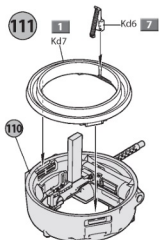
107



109

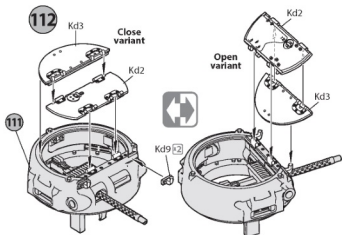
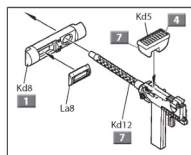


111



110

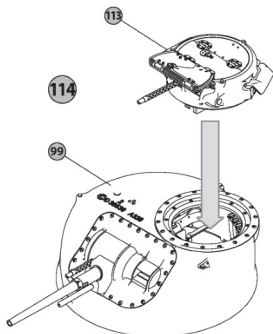
110



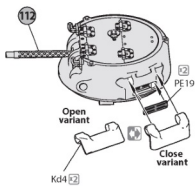
113

114

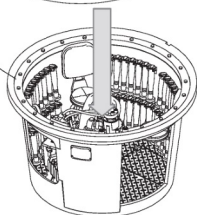
99

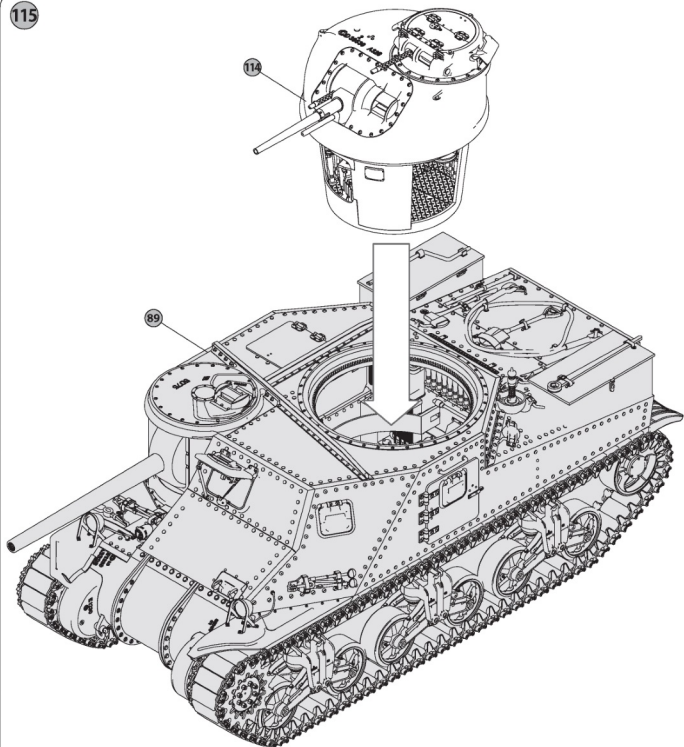


113 Repeat on back side



108





### COLOR CHART

Nº	Color	Vallejo	Mr. Color	AK RC	Mission Models	AMMO MIG	Tamiya	Color name
01		71.001	C-062	RC-004	MMP-001	A.MIG-0050	XF-02	White
02		71.057	C-033	RC-001	MMP-047	A.MIG-0046	XF-01	Black
03		71.072	C-028	AK-476	MMM-002	A.MIG-0191	XF-56	Steel
04		71.067	C-219	AK-460	MMM-009	A.MIG-0197	X-12	Brass
05		71.007	C-038	RC-023	MMP-025	A.MIG-0081	XF-62	Olive Green
06		71.041	C-310	RC-035	MMP-033	A.MIG-0076	XF-10	Brown
07		71.073	C-078	RC-015	MMM-001	A.MIG-0045	XF-84	Gun Metal
08		70.976	C-043	RC-030	MMP-076	A.MIG-0037	XF-79	Wood
09		71.003	C-003	RC-006	MMP-003	A.MIG-0049	XF-07	Red
10		70.992	013	RC-249	MMP-072	A.MIG-0059	XF-75	Grey
11		71.062	C-090	RC-020	MMM-008	A.MIG-0194	XF-16	Aluminium
12		71.251	C-137	RC-022	MMP-040	A.MIG-0033	XF-85	Tire Black
13		71.078	C-004	RC-007	MMP-041	A.MIG-0125	XF-03	Yellow
14		71.106	C-039	RC-075	MMP-086	A.MIG-0222	XF-59	Sand
15		70.995	C-032	RC-057	MMP-074	A.MIG-0235	XF-22	Dark Grey



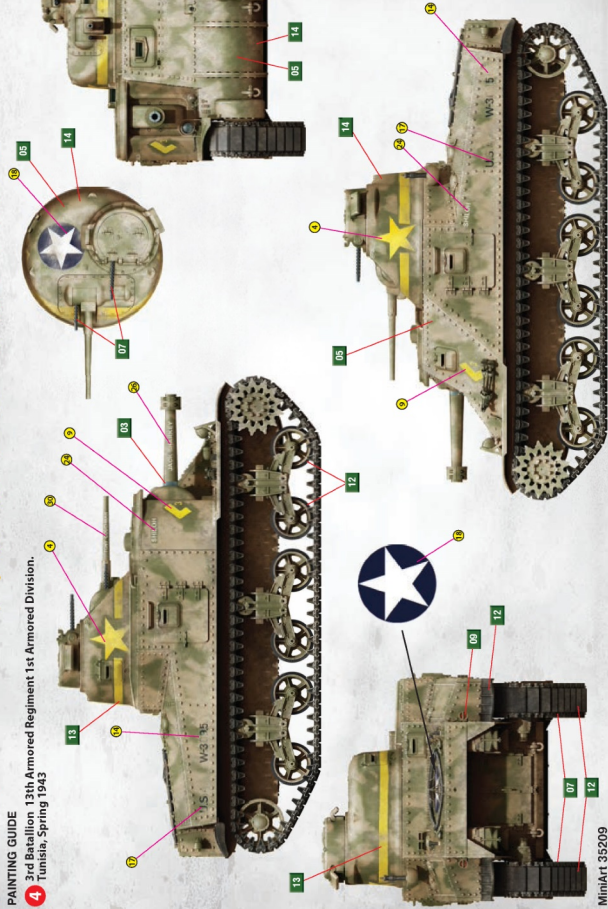
# M3 LEE MID PROD

SCALE  
1:35



## PAINTING GUIDE

4 3rd Battalion 13th Armored Regiment 1st Armored Division,  
Tunisia, Spring 1943

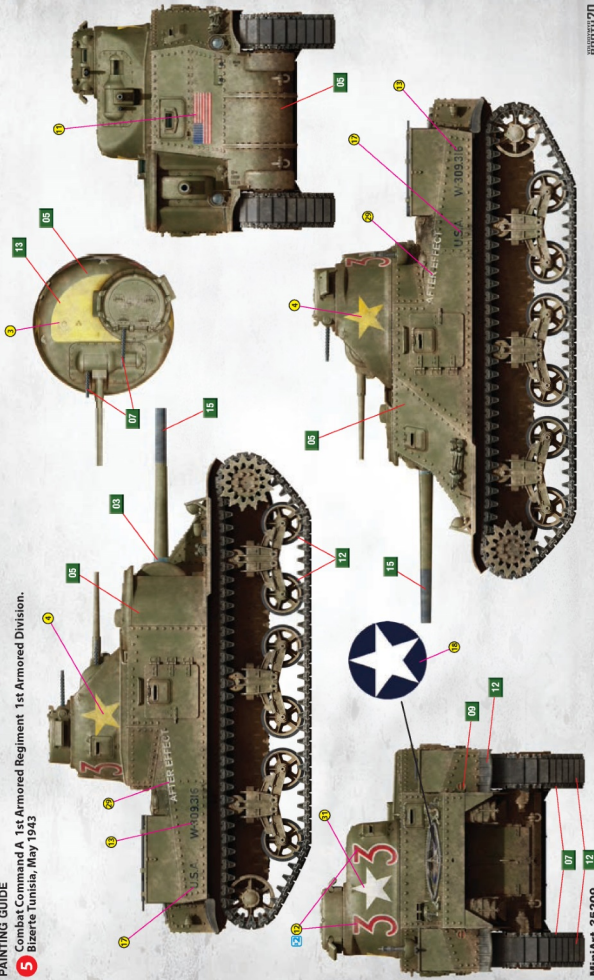


MiniArt 35209

BOOTH#20

**PAINTING GUIDE**

**5** Combat Command A 1st Armored Regiment 1st Armored Division.  
Bizerte Tunisia, May 1943



# RELATED ITEMS

## M3 LEE

EARLY PRODUCTION

**interiorKIT**  
FROM AN EXTERIOR PRODUCT



1:35

**MiniArt**

35206

WW II MILITARY MINIATURES SERIES

### U.S. TANK CREW

NW EUROPE



35070

**MiniArt**

SCALE 1:35

### U.S. TANK CREW



35026

**MiniArt**

SCALE 1:35

### CLOSE COMBAT. U.S. TANK CREW



35311

**MiniArt**

1:35

### U.S. AMMO-LOADING TANK CREW



35190

**MiniArt**

1:35

### CONTINENTAL R975 ENGINE



35321

**MiniArt**

1:35

# RELATED ITEMS

WW II MILITARY MINIATURES SERIES

## M3A5 LEE



SCALE  
**1:35**

UNASSEMBLED PLASTIC MODEL KIT  
KIT CONTAINS MODEL OF  
U.S. MEDIUM TANK  
PB PARTS INCLUDED  
THIS IS NOT A TOY

Booth 2019

35279



## M3 LEE LATE PROD

WW II MILITARY MINIATURES SERIES



UNASSEMBLED PLASTIC MODEL KIT  
KIT CONTAINS MODEL OF U.S. MEDIUM TANK

Booth 2019

35214



SCALE  
**1:35**