

BUILD THE

MERCEDES-BENZ

W196



1:8
SCALE

ixoCOLLECTIONS

BUILD THE

MERCEDES-BENZ W196


Guide to the instructions

This set of step-by-step instructions will enable you to complete the build of your **1:8-scale Mercedes-Benz W196**. The only tool you will need is a screwdriver. Most of the steps involve simply screwing or fitting parts together, and the correct screws needed for each step are clearly labelled on the instructional images.

Please note the following:

- Where left and right elements of the same part are supplied, these are listed as (L) and (R).
- Close-up details of steps are framed in yellow.
- You will not be using every part you receive in your shipment in that build section. Keep any parts that are not used aside for use in a later sequence.
- You will receive extra screws with each shipment in case any screws are lost or broken.
- Screws with codes ending in the letter M drive into metal; those ending in the letter P drive into plastic.
- With M screws, first drive the screw in half-way. Then unscrew it to release the shavings created as the screw cuts its thread. Finally, drive the screw fully into the socket. M screws should be tightened so the head makes firm contact with the fixing surface.
- With P screws, do not over-tighten them as they can damage the socket.
- When working with the pre-finished exterior surfaces of the model, work on a soft cloth. This will protect against scratching the paintwork.
- When plugging wires in, ensure the power is switched off.
- Tweezers can be used to fit the PVC cables. In this case, grip carefully around 5mm from the end of the cable. If the end of the cable is too narrow to fit on to the pin, cautiously insert a cocktail stick, being wary not to split the cable.
- Some smaller plastic parts are attached to sprues. You can remove these by hand, or by careful use of a cutting implement such as a scalpel.
- When assembling the wheels of your model, you can choose between regular and easy assemblies. Follow our instructions carefully.



“Mercedes-Benz”,  and the design of the enclosed product are subject to intellectual property protection owned by Daimler AG. They are used by Premium and Collectibles Trading Co Ltd. under license.

© IXOCOLLECTIONS SAS
© IXOMODELS

Customer service: contact@ixo-collections.fr

Packaged by: Milanoedit srl, www.milanoedit.com

Model assembly: Enrico Del Prete

Photography credits: Harry Pot / Anefo CC0 (p.3);
Iain A Wanless CC BY 2.0 (pp.4-5)



MERCEDES-BENZ W 196 R

The Mercedes-Benz W 196 R designed for the 1954 season met all the demands of the new Grand Prix formula decreed by the sport's governing body, the CSI (Commission Sportive Internationale): a capacity of 750 cc with or 2500 cc without supercharger, free choice of gas mixture, a racing distance of 300 kilometres or a minimum of three hours. The streamlined version was completed first because the Reims

Der für die Saison 1954 konstruierte Mercedes-Benz W 196 R erfüllt alle Bedingungen der neuen Grand-Prix-Formel der CSI (Commission Sportive Internationale): Hubraum 750 Kubikzentimeter mit oder 2500 Kubikzentimeter ohne Kompressor, beliebige Zusammensetzung des Treibstoffs, Renndistanz 300 Kilometer, mindestens jedoch drei Stunden. Zuerst fertig gestellt wird die Stromlinien-Version, weil das Auftaktrennen in Reims sehr

La Mercedes-Benz W 196 R, conçue pour la saison 1954, répondait à toutes les exigences de la nouvelle formule du Grand Prix décrétée par l'instance dirigeante du sport, la CSI (Commission Sportive Internationale) : une capacité de 750 cm³ avec ou 2500 cm³ sans compresseur, libre choix du mélange de gaz, une distance de course de 300 kilomètres ou un minimum de trois heures. La version simplifiée a été complétée en premier parce que la course de Reims qui

race kicking off the season permitted very high speeds. After that there was also a version with exposed wheels.

Fritz Nallinger was in charge of the project as a whole, ably assisted by Rudolf Uhlenhaut, Chief Engineer of the racing department since 1 September 1936, and after the war also head of the Car Testing department, who influenced the development decisively. And although, yet again, in the case of the W 196 R, the whole was much more than the sum of its parts, every component is worth mentioning: cutting-edge technology in terms of its era, in spite of the fact that, in some cases, there had been precedents in the history of motor sports. This silver masterpiece, of which 14 units including a prototype were built, drove its competitors to despair in the following two years. Its original streamlined body was both expedient and visually appealing. From the European Grand Prix on the Nürburgring in early August 1954 onward, however, an open-wheel (monoposto) version also formed part of the line-up. Its tubular space frame was light and sturdy, its suspension with torsion bars and a new single-joint swing axle at

hohe Geschwindigkeiten zulässt. Danach gibt es noch eine Variante mit freistehenden Rädern.

Mit der Leitung des Projekts betraut ist Fritz Nallinger. Maßgeblich die Entwicklung beeinflusst Rudolf Uhlenhaut, seit dem 1. September 1936 Technischer Leiter der Rennabteilung und nach dem Krieg zudem Leiter der Pkw-Versuchsabteilung. Und obwohl im Falle des W 196 R einmal mehr das Ganze viel mehr ist als die Summe der Teile, ist jedes Element der Rede wert, damalige Technologie vom Besten – auch wenn sich gelegentlich in den Tiefen der Vergangenheit Präzedenzfälle finden. Das Meisterstück in Silber, gefertigt in vierzehn Exemplaren inklusive eines Prototyps, lässt in den nächsten beiden Jahren die Konkurrenz verzagen. Der ursprüngliche Stromlinienaufbau ist zweckmäßig und schön zugleich, allerdings wird ab dem Großen Preis von Europa auf dem Nürburgring Anfang August 1954 eine Version mit frei stehenden Rädern (Monoposto) zur Standardausrüstung. Der Gitterrohrrahmen ist leicht und stabil, das Fahrwerk mit Drehstab-Aufhängung und einer neuen Eingelenk-Pendelachse hinten sowie riesigen turbogekühlten,

débutait la saison permettait des vitesses très élevées. Après cela, une version avec des roues apparentes a également été construite.

Fritz Nallinger était en charge du projet dans son entier, habilement assisté par Rudolf Uhlenhaut, ingénieur en chef du département des courses depuis le 1er septembre 1936 et, après la guerre, également chef du département des essais des voitures, qui a contribué de manière décisive au développement. Et bien que, encore une fois dans le cas de la W 196 R, l'ensemble était bien plus que la somme de ses parties, chaque composant mérite d'être mentionné : c'était la technologie de pointe pour cette époque, bien qu'il y avait eu, dans certains cas, des précédents dans l'histoire du sport automobile. Ce chef-d'œuvre argenté, dont 14 exemplaires y compris un prototype ont été construits, a poussé ses concurrents au désespoir au cours des deux années suivantes. Sa carrosserie aérodynamique originale était à la fois opportune et visuellement attrayante. À partir du Grand Prix d'Europe au Nürburgring au début du mois d'août 1954, une version à roues ouvertes (monoplace) fait également partie de l'équipe. Son cadre spatial tubulaire était léger et robuste, les suspensions avec des barres de torsion et un

the rear as well as the giant, turbo-cooled, and at first centrally arranged Duplex drum brakes were unconventionally good. The eight-cylinder in-line engine with direct injection and desmodromic valve control (1954: 256 hp (188 kW) at 8260 rpm, 1955: 290 hp (213 kW) at 8500 rpm) was installed into the space frame at an angle of 53 degrees to the right to lower the centre of gravity and reduce the frontal area. What's more, meticulous preparations for each individual race harked back to the glorious 1930s while at the same time anticipating the modern Formula One approach. But there was something else as well: so as to have the best cars in the world raced by the best drivers, racing manager Alfred Neubauer hired the – initially reluctant – superstar Juan Manuel Fangio, plus the up-and-coming Stirling Moss in 1955 – a virtually invincible pairing.

The W 196 R's track record was impressive indeed: nine victories and fastest laps, as well as eight pole positions in the twelve Grand Prix races in which it was entered, and, of course, Fangio's world champion's titles in 1954 and 1955. There was little room for improvement.

zunächst innen mittig untergebrachten Duplex-Trommelbremsen unkonventionell gut. Der Reihenachtzylinder mit direkter Einspritzung und desmodromisch gesteuerten Ventilen (1954: 256 PS/188 kW bei 8260/min, 1955: 290 PS/213 kW bei 8500/min) ist im Winkel von 53 Grad nach rechts geneigt in das Rahmenfachwerk eingebaut, um den Schwerpunkt abzusenken und die Stirnfläche zu verkleinern. Dazu kommen die minutiöse Vorbereitung und Durchführung des Projekts Grand Prix im Zeichen des Stuttgarter Sterns, die einerseits an die ruhmreichen 1930er Jahre erinnern und zugleich die Formel-1-Moderne vorwegnehmen. Und noch etwas: Damit das beste Fahrzeug auch vom besten Fahrer gesteuert wird, hat Rennleiter Alfred Neubauer den anfänglich widerstrebenden Top-Lenker Juan Manuel Fangio engagiert, dazu 1955 den vielversprechenden Stirling Moss – ein schier unschlagbares Duo.

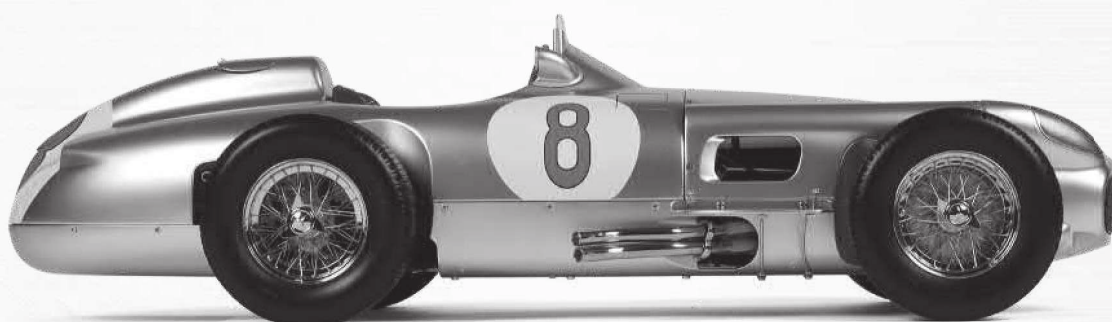
Die Bilanz des W 196 R: neun Siege und schnellste Runden sowie acht Pole-Positionen in den zwölf Grand Prix, an denen er teilnimmt, sowie die beiden Fahrertitel 1954 und 1955 für Fangio. Viel besser geht's nicht.

nouvel essieu oscillant à un seul joint à l'arrière ainsi que les freins à tambour duplex géants, turbo-cooling et d'abord disposés centralement, étaient exceptionnellement bons. Le moteur à huit cylindres en ligne à injection directe et commande de soupape desmodromique (1954: 256 ch (188 kW) à 8260 tr/min, 1955: 290 ch (213 kW) à 8500 tr/min) a été monté dans le cadre spatial à un angle de 53 degrés vers la droite pour abaisser le centre de gravité et réduire la zone frontale. En outre, les préparatifs méticuleux pour chaque course individuelle rappelaient les glorieuses années 1930 tout en anticipant l'approche moderne de la Formule Un. Mais il y avait aussi autre chose : pour que les meilleures voitures du monde soient conduites par les meilleurs pilotes, le directeur de course Alfred Neubauer a embauché la superstar Juan Manuel Fangio, qui était réticent au début, ainsi que le prometteur Stirling Moss en 1955 – un duo pratiquement invincible.

Le palmarès de la W 196 R est vraiment impressionnant : neuf victoires et les tours les plus rapides, ainsi que huit pole positions dans les douze courses de Grand Prix auxquelles elle a participé, et, bien sûr, les titres de champion du monde de Fangio en 1954 et 1955. On ne pouvait guère faire mieux !

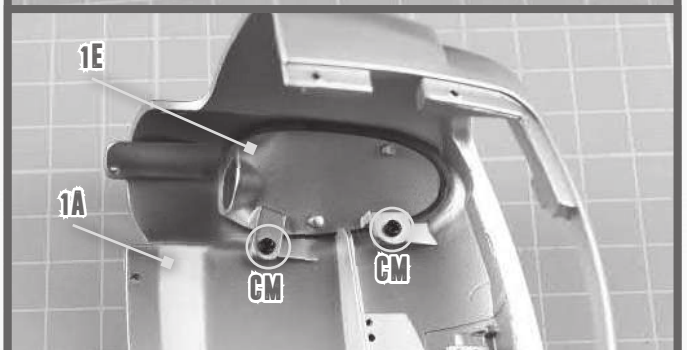
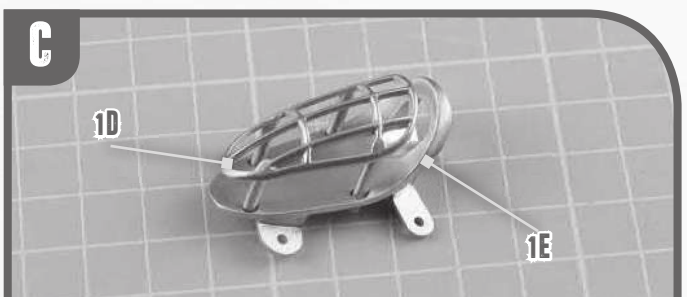
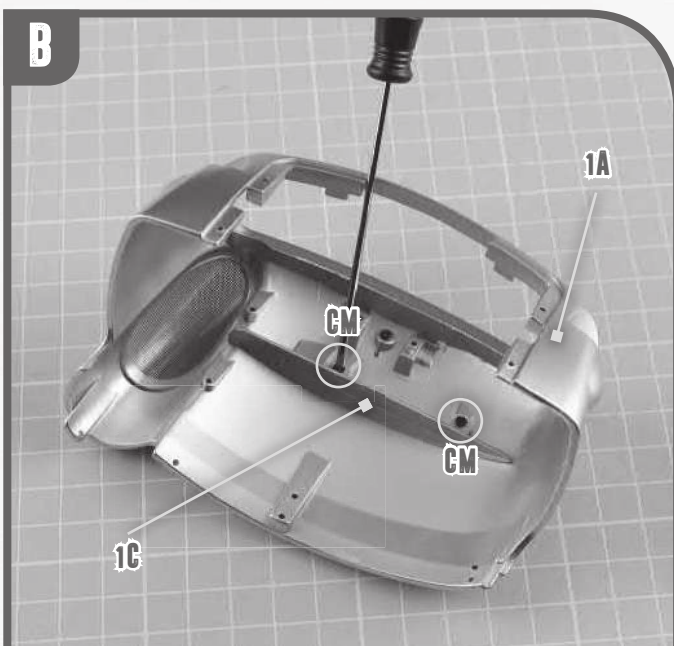
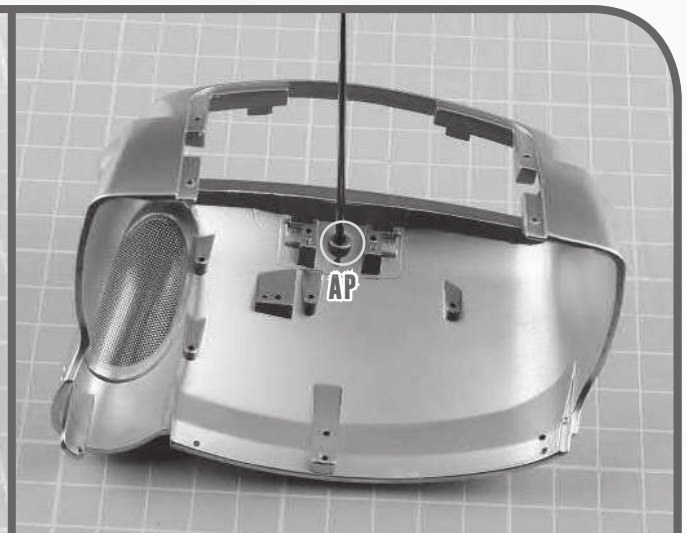
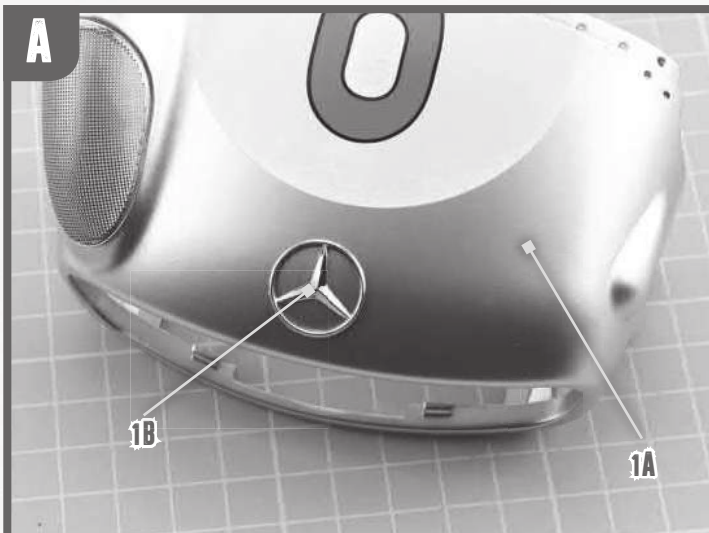
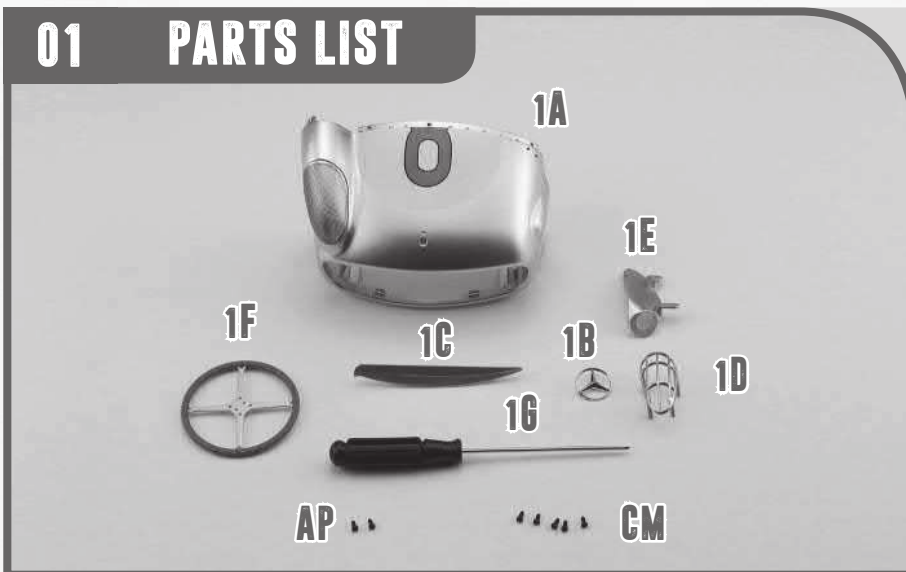
Key specs

ENGINE TYPE	M 196 R
ENGINE LOCATION	Front, longitudinally mounted
CYLINDERS	8 in-line
VALVES	16
CUBIC CAPACITY	2496 cc
BORE X STROKE	76 x 68.8 mm
COMPRESSION RATIO	12:1
FUEL FEED	Direct fuel injection
LUBRICATION	Dry sump
ASPIRATION	Naturally aspirated
POWER	290 bhp at 8,500 rpm
TORQUE	247 Nm at 6,300 rpm
BODY	Aluminium body panels
CHASSIS	Steel tubular spaceframe
FRONT SUSPENSION	Double wishbones, torsion bars, telescopic shock absorbers
REAR SUSPENSION	Swing axle, longitudinal torsion bars, telescopic shock absorbers
STEERING SYSTEM	Worm-and-sector
BRAKES	Light alloy drums, all-round
DRIVE	Rear wheel drive
GEARBOX	5 speed, manual
CLUTCH PLATES	Dry, single plate
LENGTH	4,025 mm
WIDTH	1,625 mm
HEIGHT	1,040 mm
WHEELBASE	2,350 mm
WEIGHT	835 kg
TOP SPEED	Over 300 km/h

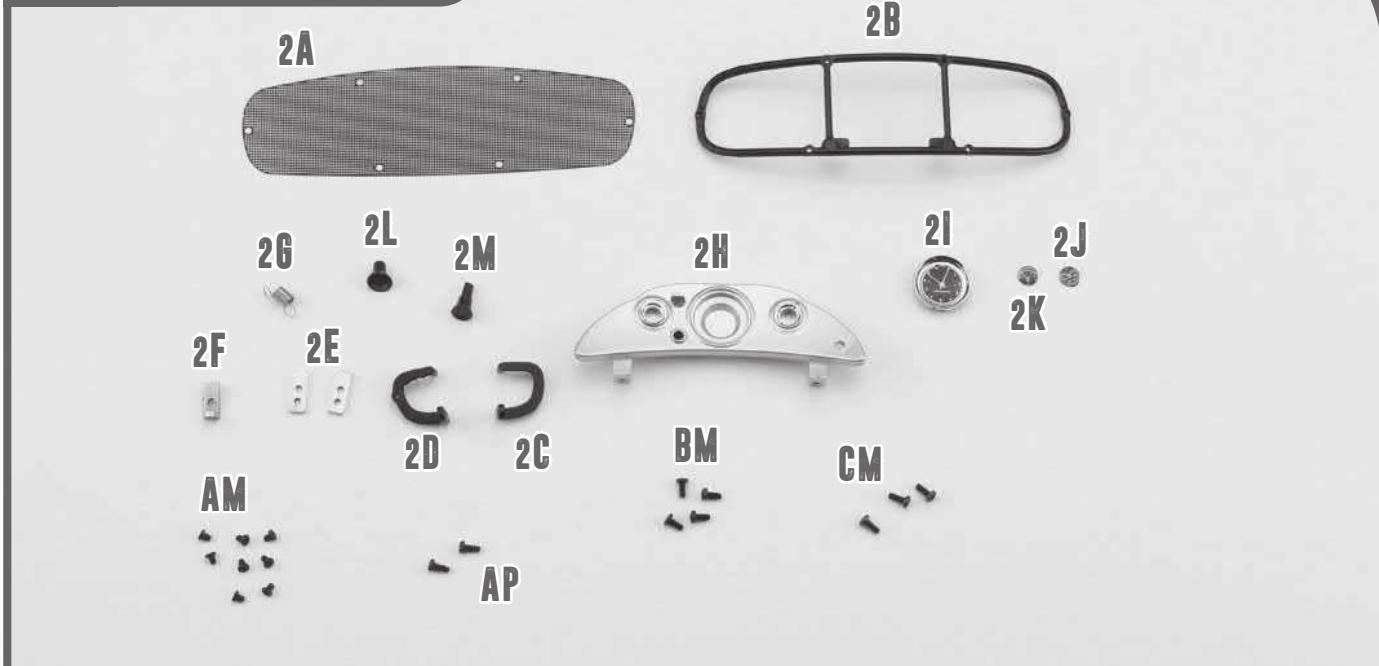


01 PARTS LIST

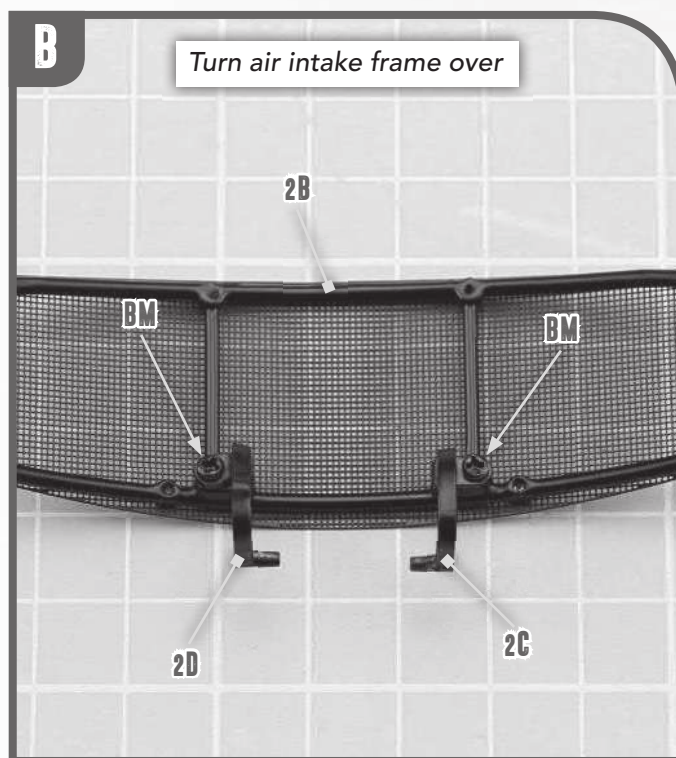
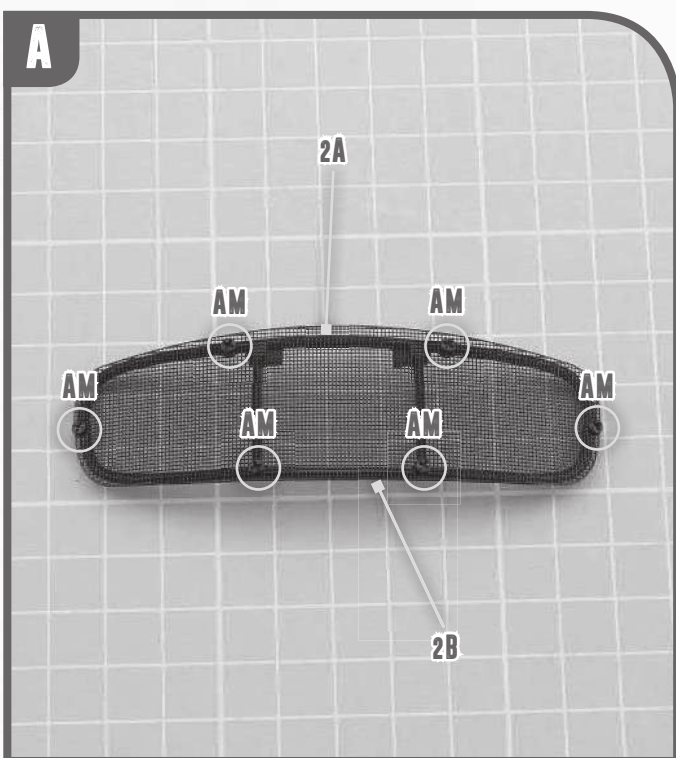
- 1A** Nose
- 1B** Badge
- 1C** Radiator support
- 1D** Air intake frame
- 1E** Air intake
- 1F** Steering wheel
- 1G** Screwdriver
- AP** 2 screws (1.7x4mm)
- CM** 5 screws (1.7x4mm)

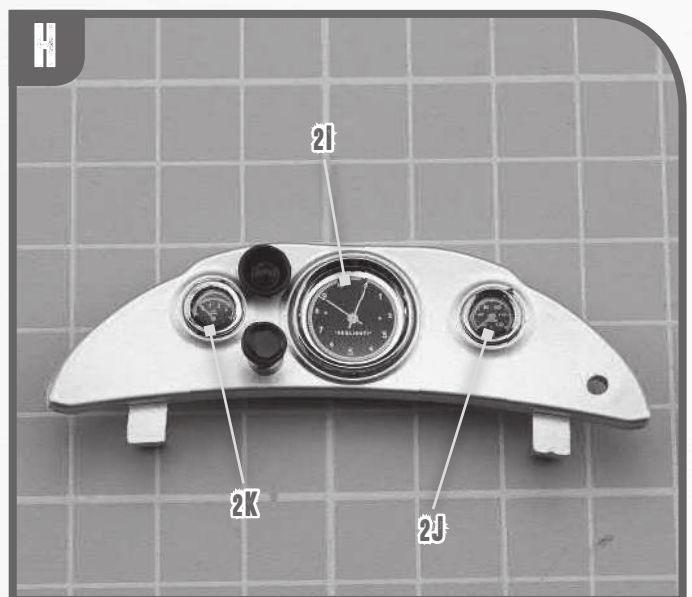
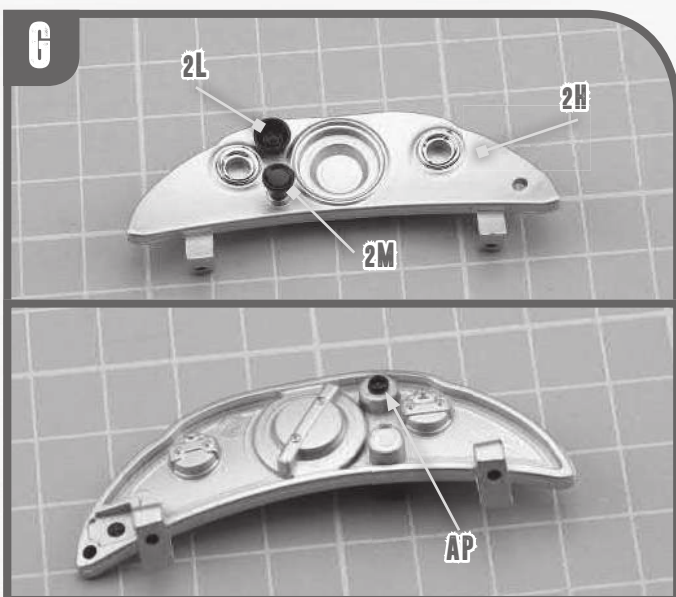
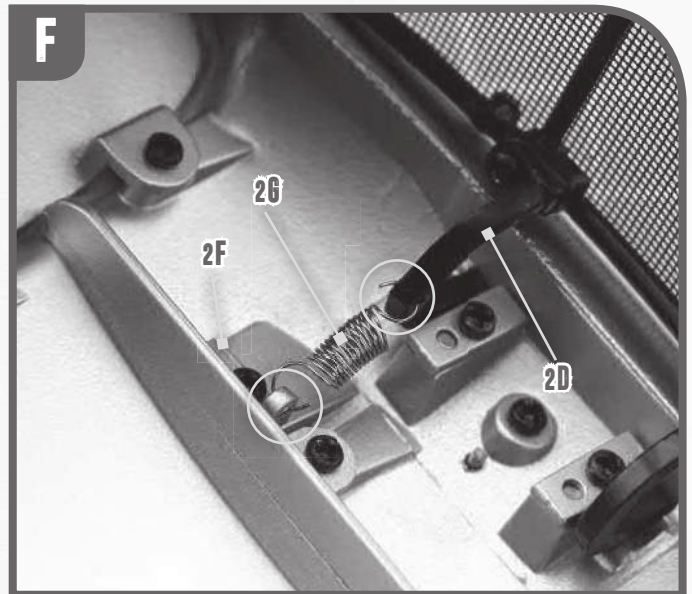
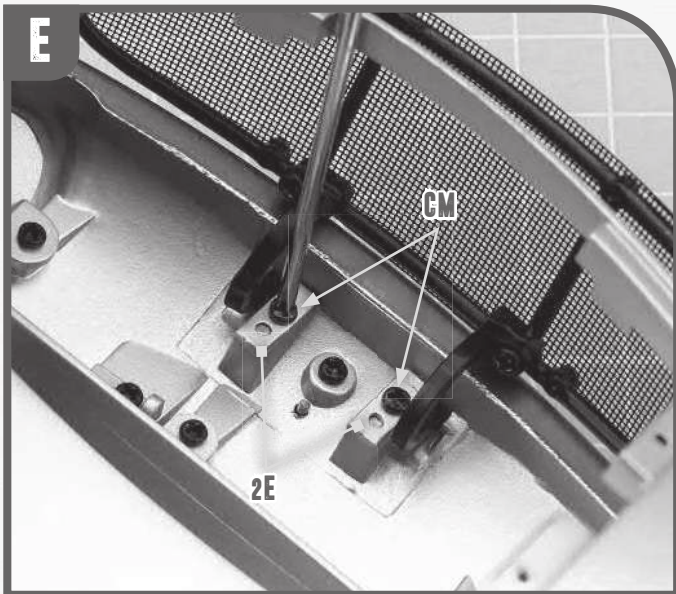
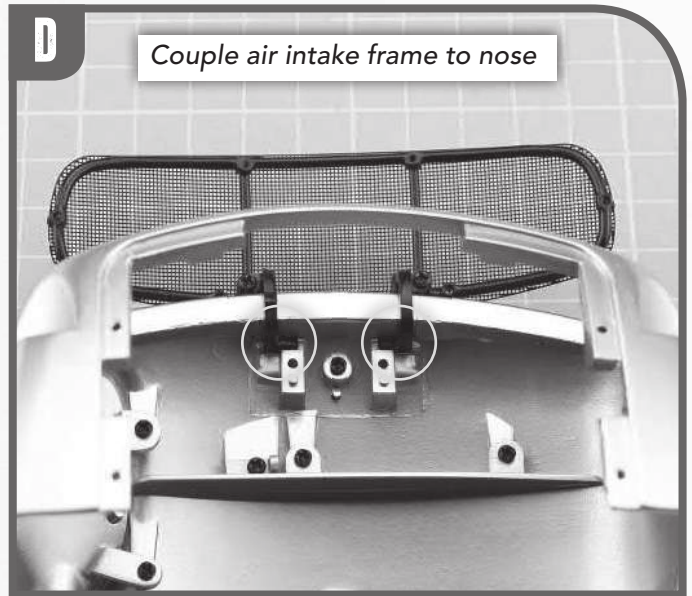
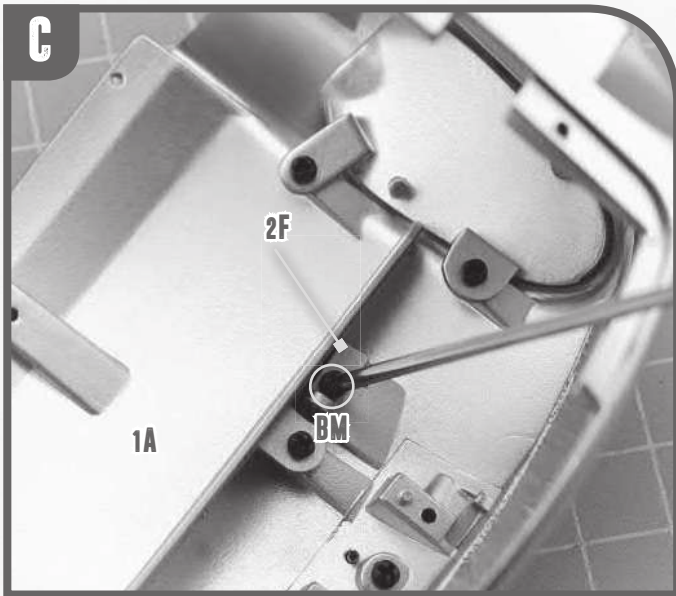


02 PARTS LIST

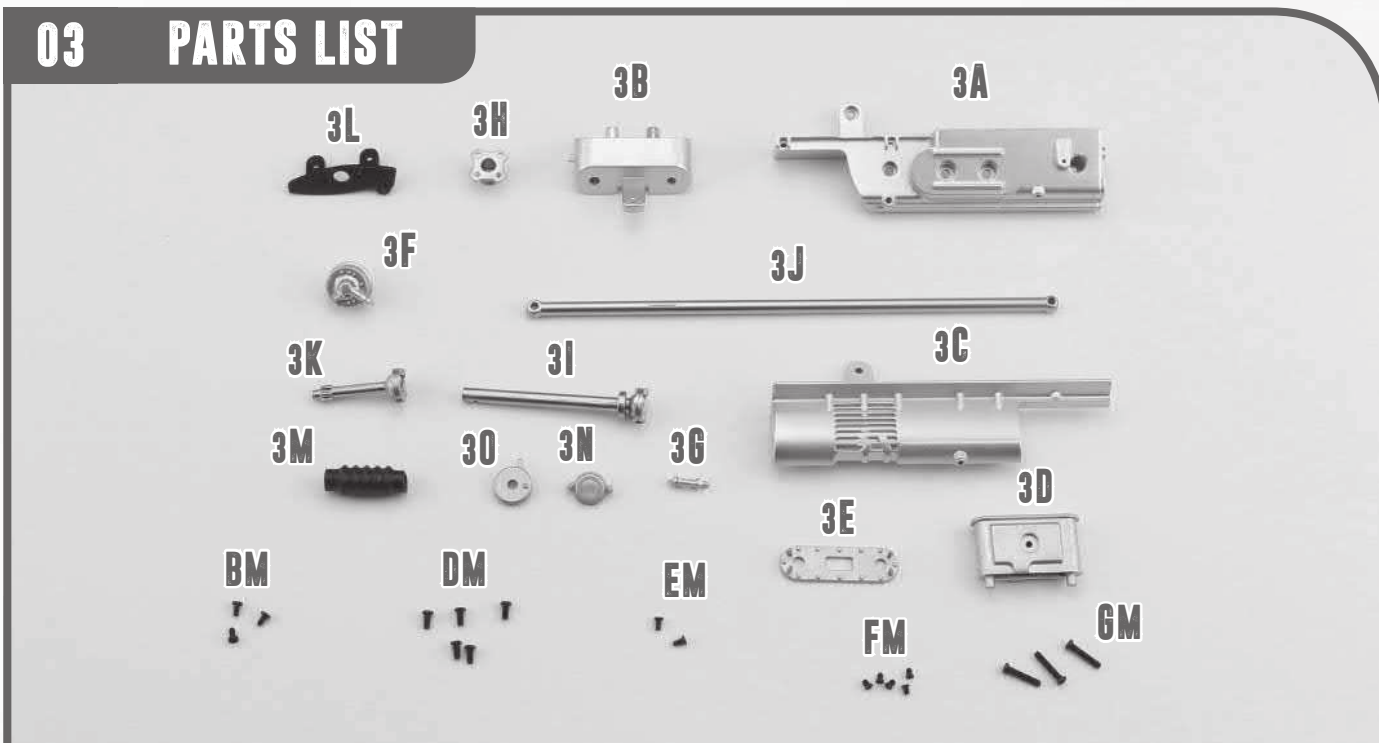


- | | | |
|-------------------------------|-----------------------------------|------------------------------|
| 2A Air intake net | 2H Dashboard | AP 2 screws (1.7x4mm) |
| 2B Air intake frame | 2I Tachometer | AM 8 screws (1.5x2mm) |
| 2C Hinge (L) | 2J Water temperature gauge | BM 4 screws (1.7x3mm) |
| 2D Hinge (R) | 2K Oil pressure gauge | CM 3 screws (1.7x4mm) |
| 2E Hinge supports (x2) | 2L Low fuel indicator | |
| 2F Bracket | 2M Cold start injector | |
| 2G Spring | | |

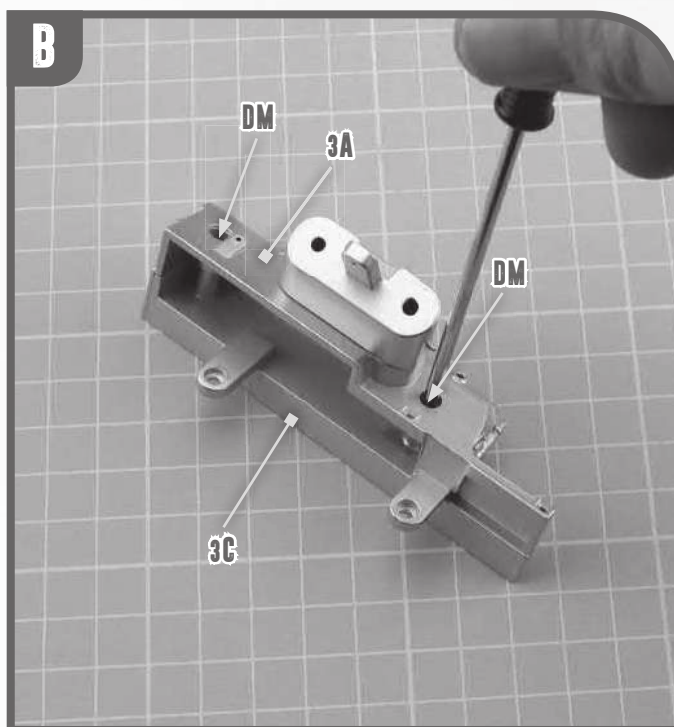
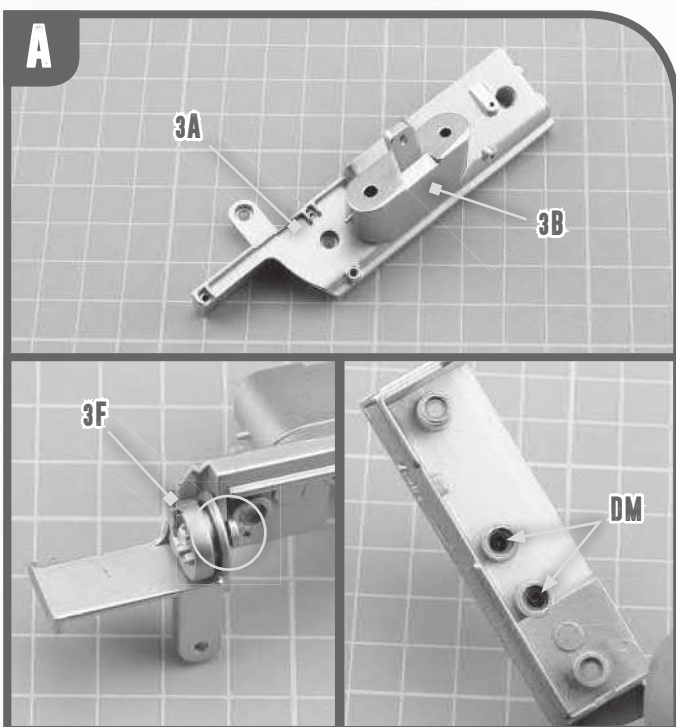


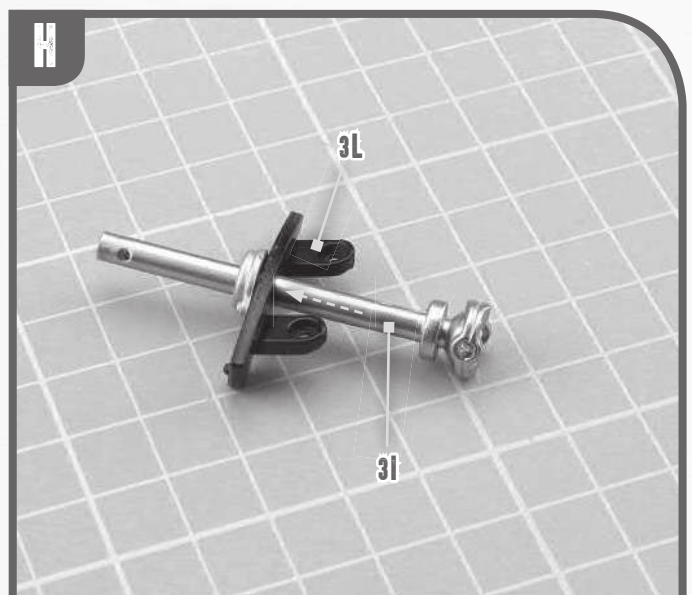
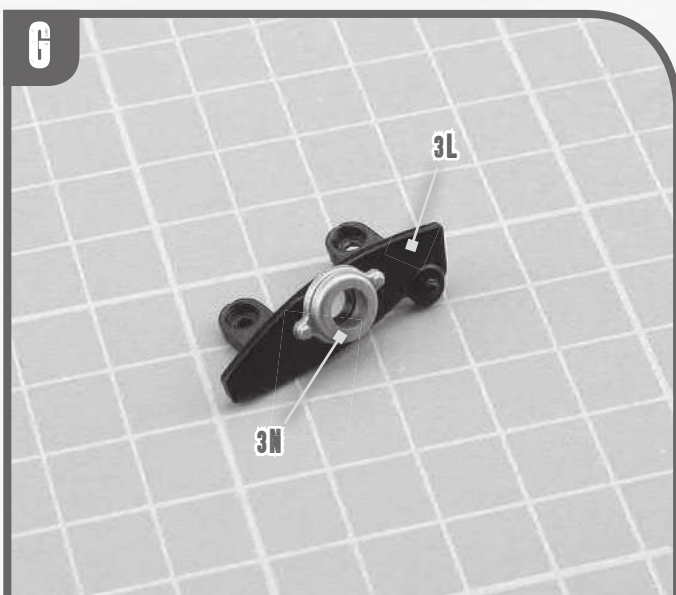
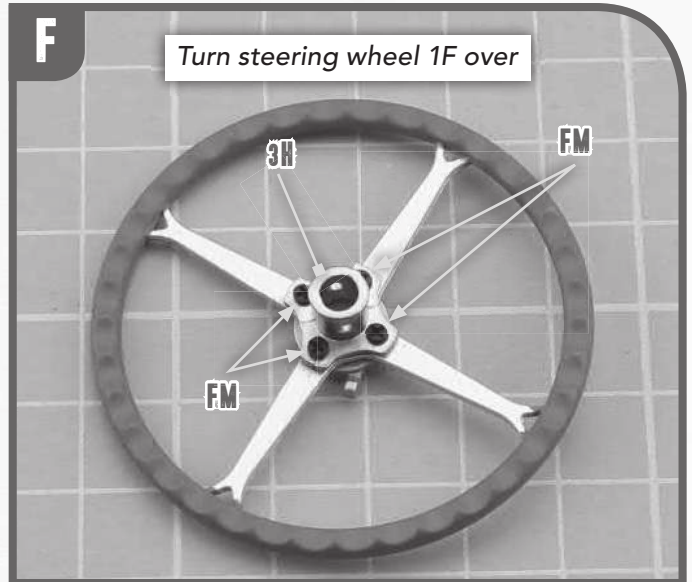
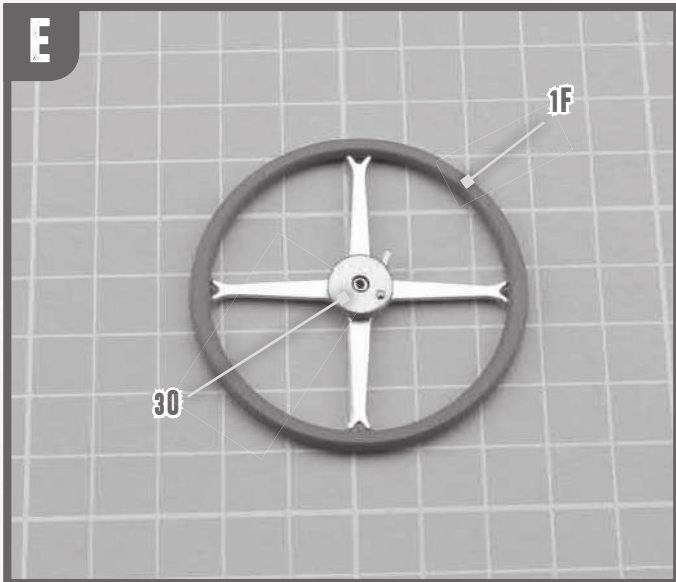
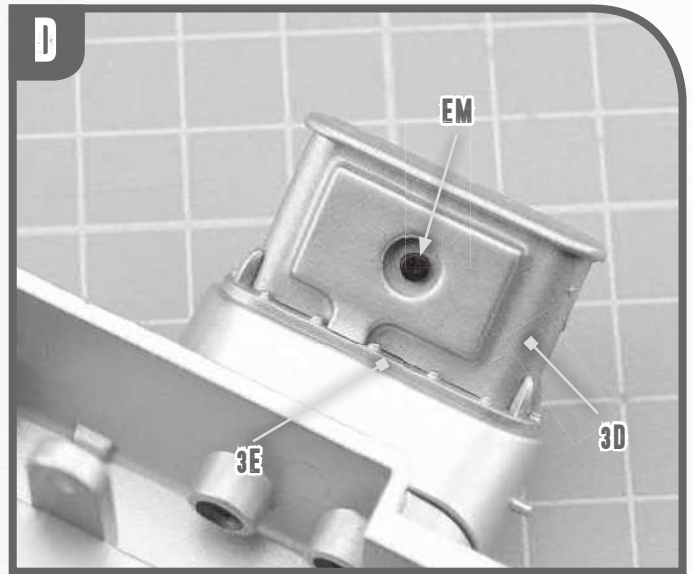
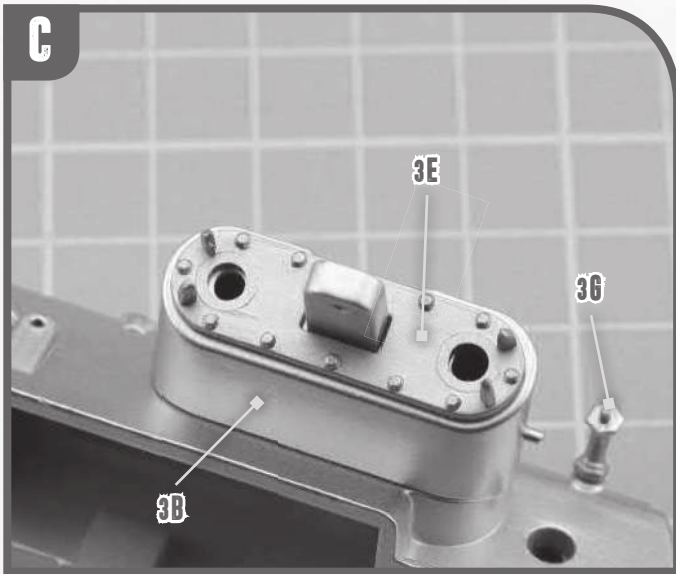


03 PARTS LIST

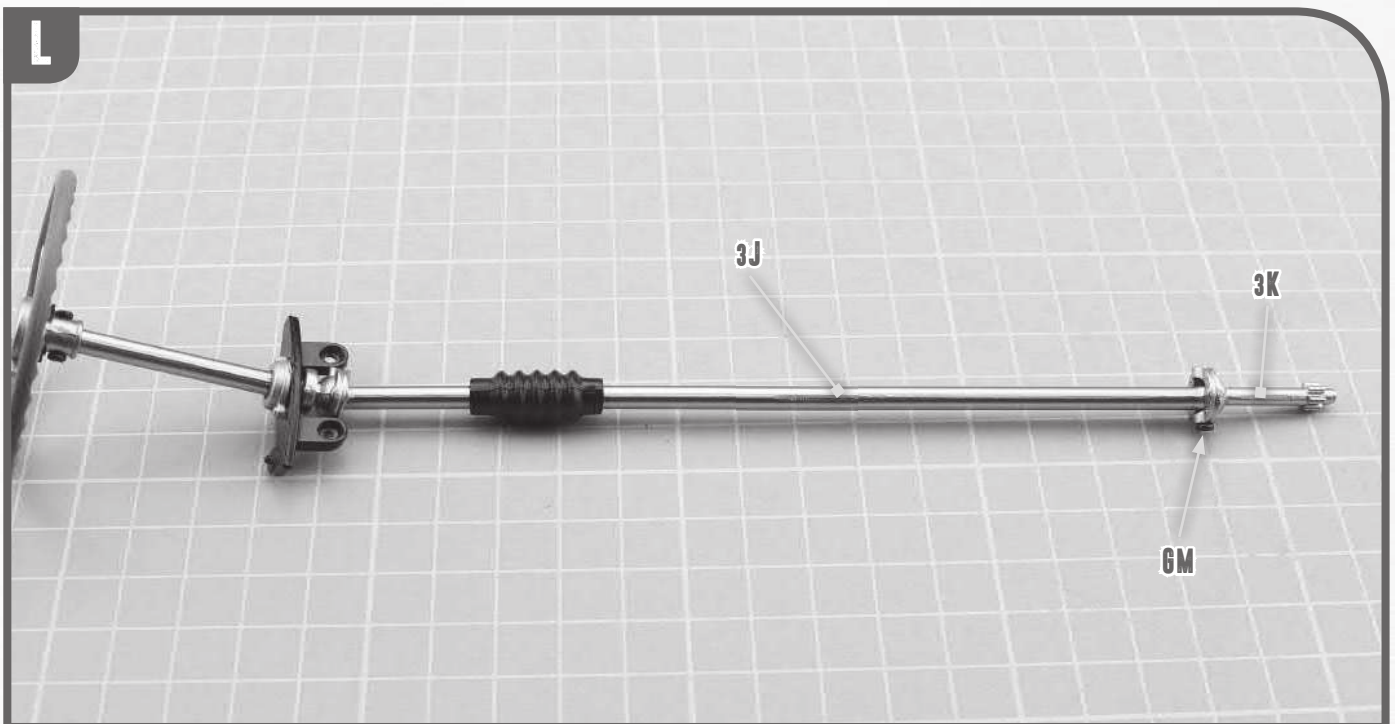
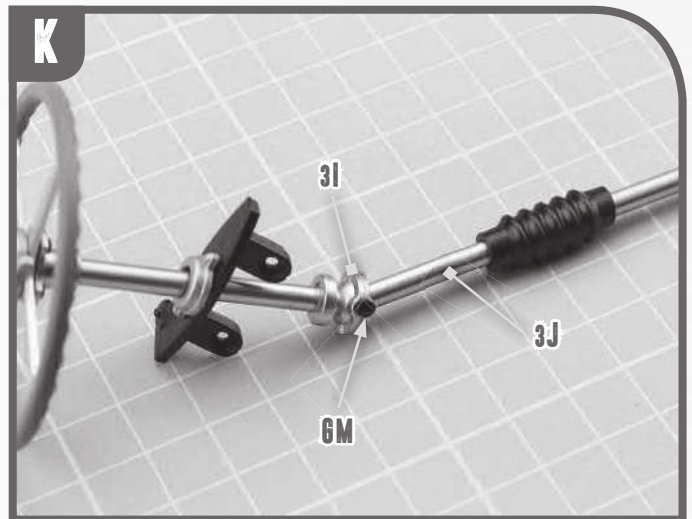
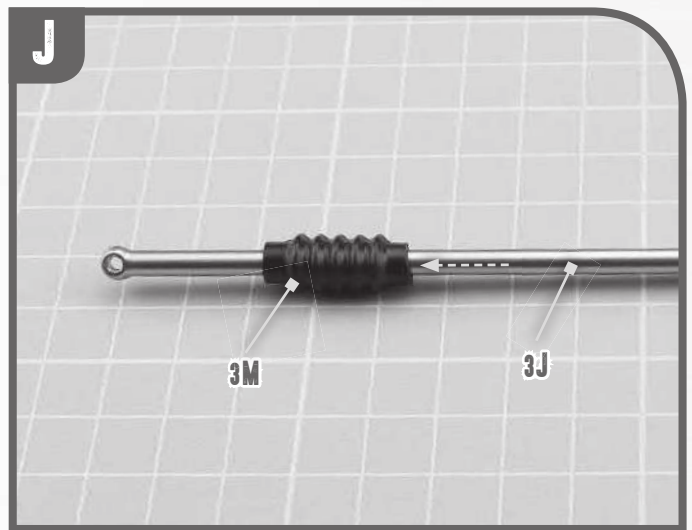
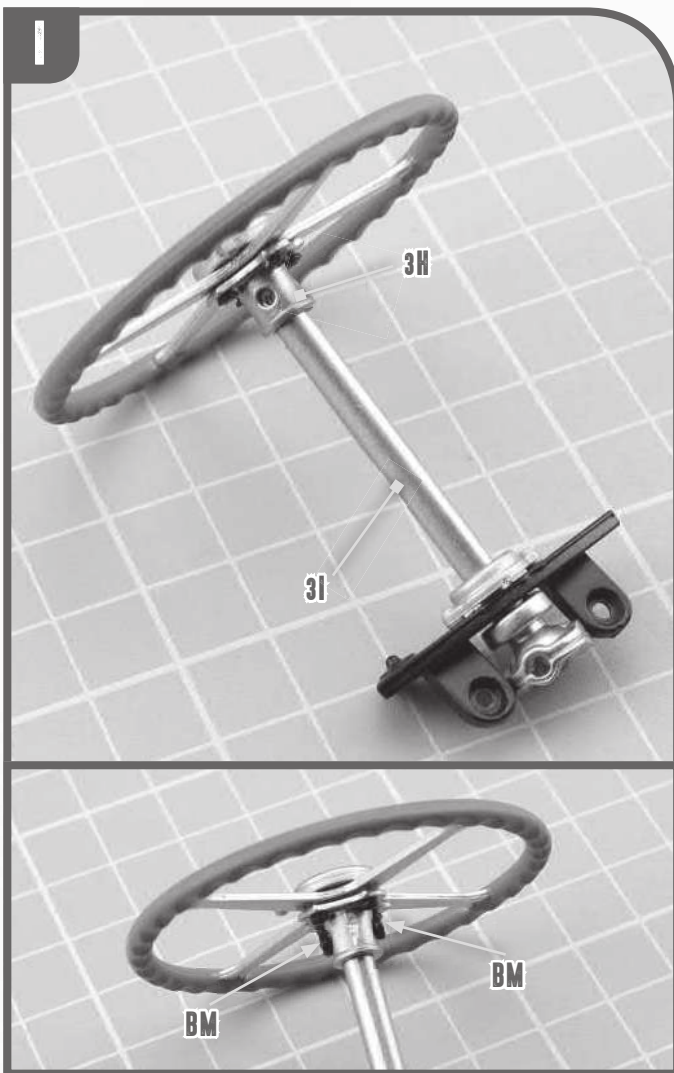


- | | | |
|----------------------------------|-----------------------------------|---------------------------------|
| 3A Engine lower block (L) | 3H Steering wheel fitting | 3O Steering wheel detail |
| 3B Oil pan part A | 3I Steering column part A | BM 3 screws (1.7x3mm) |
| 3C Engine lower block (R) | 3J Steering column part B | DM 5 screws (2x4mm) |
| 3D Oil pan part B | 3K Steering column part C | EM 2 screws (1.5x3mm) |
| 3E Oil pan bracket | 3L Panel | FM 5 screws (1.7x2mm) |
| 3F Oil pump | 3M Bellow | 6M 3 screws (2x10mm) |
| 3G Sleeve | 3N Steering column support | |





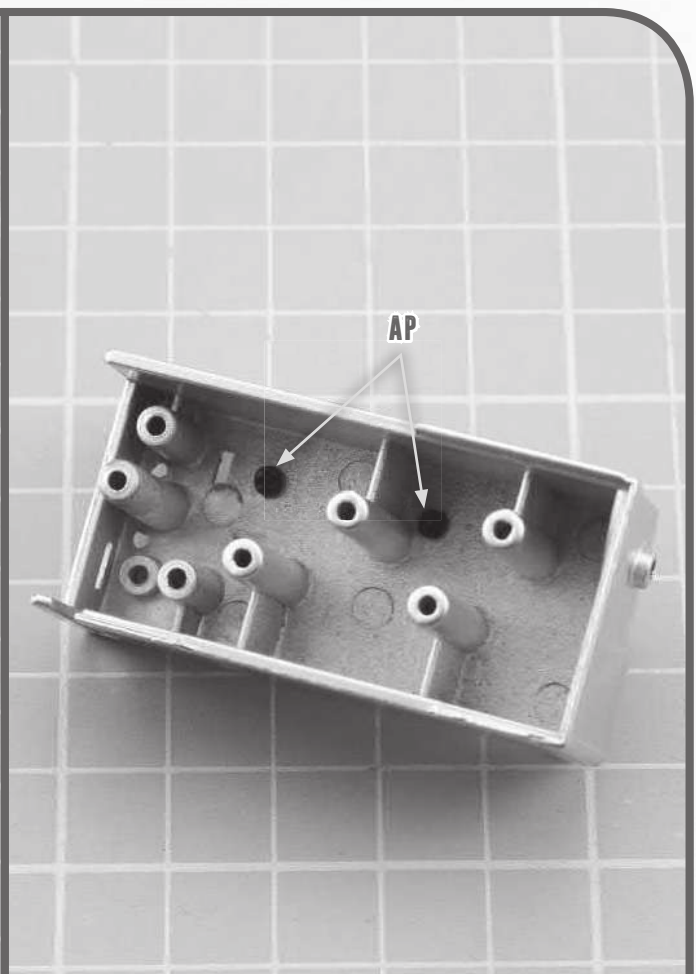
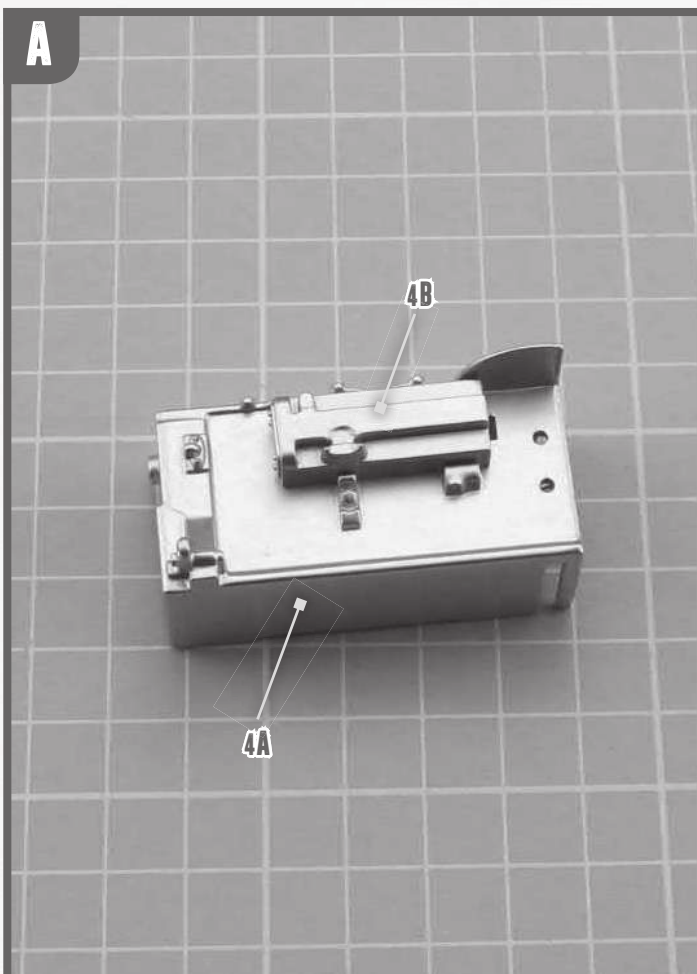
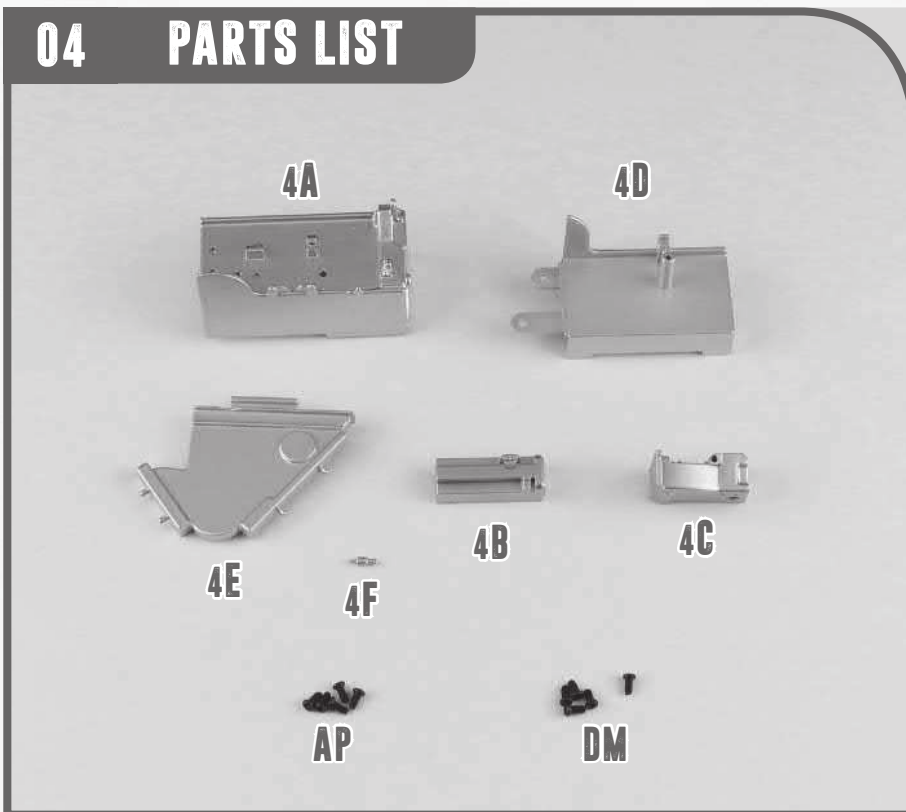
stepbystep #03



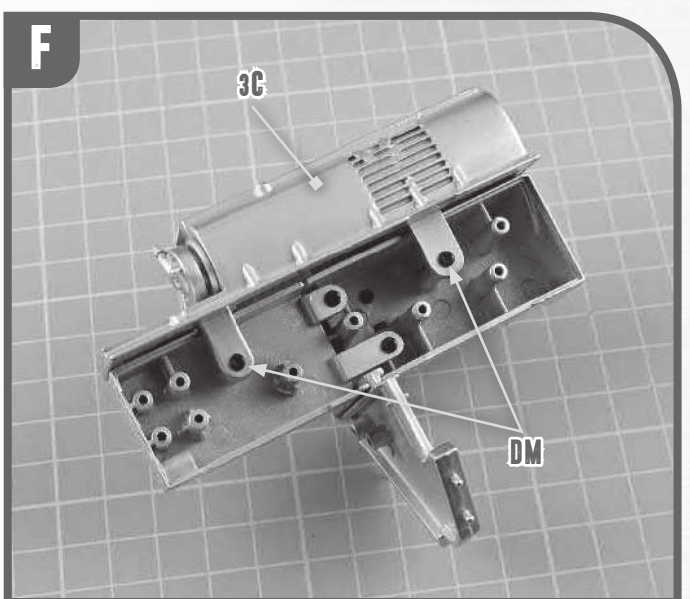
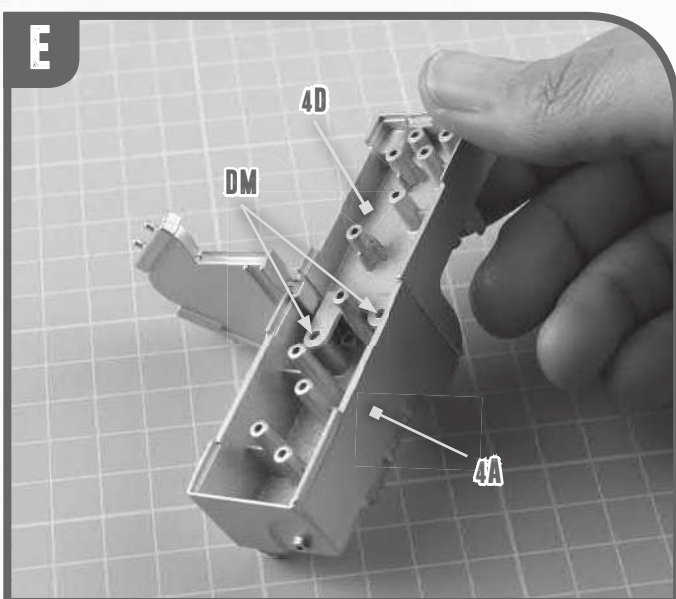
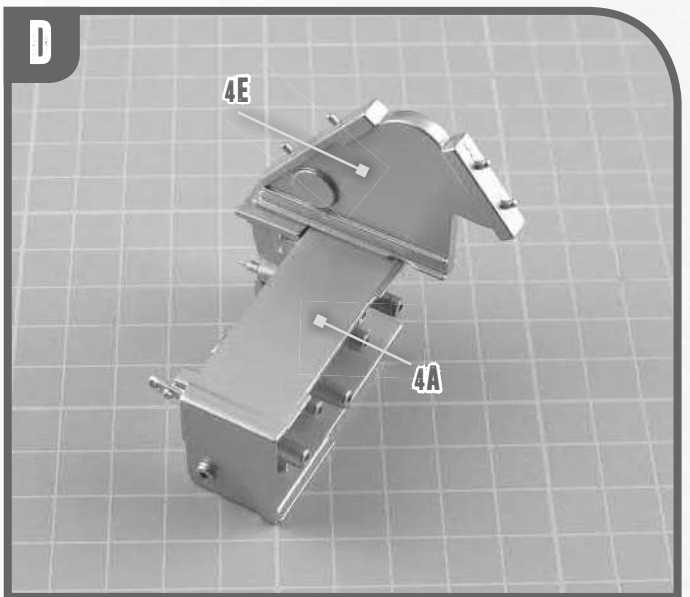
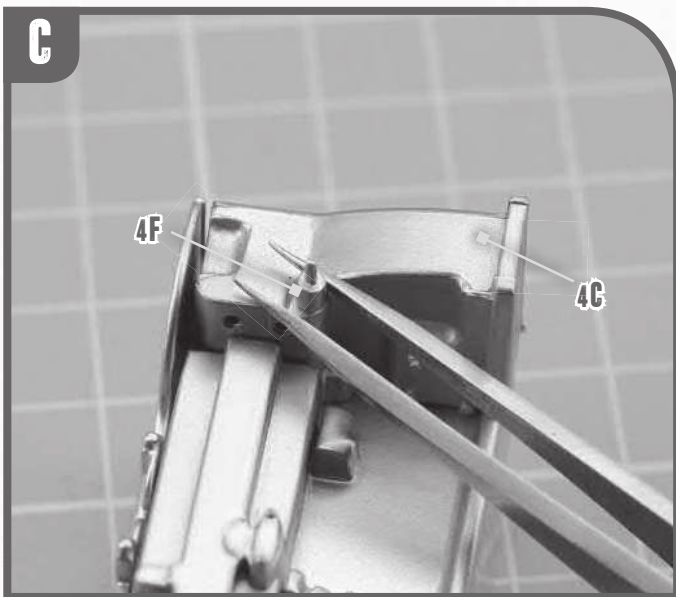
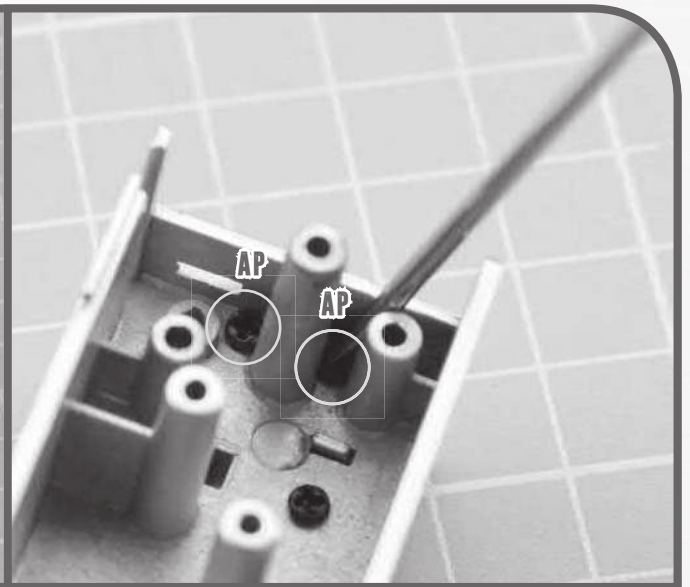
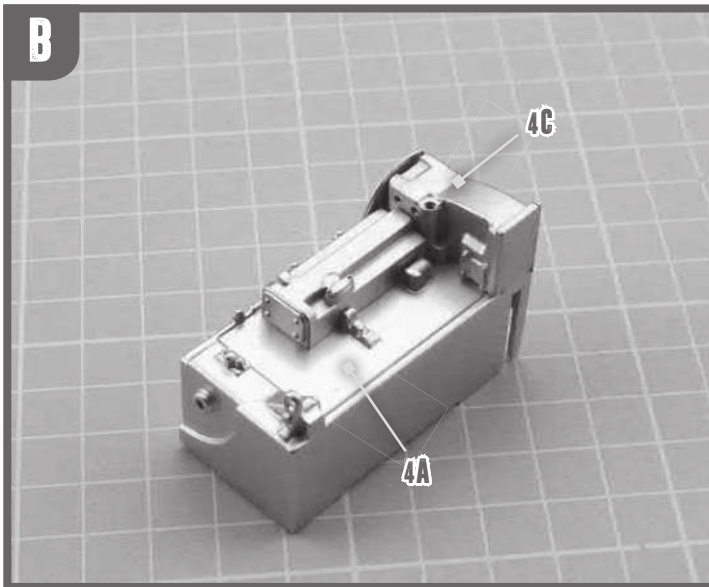
04 PARTS LIST

- 4A** Engine upper block part A (L)
- 4B** Engine upper block part B (L)
- 4C** Central gearbox part A
- 4D** Engine upper block part C (L)
- 4E** Central gearbox part B
- 4F** Oil pressure valve

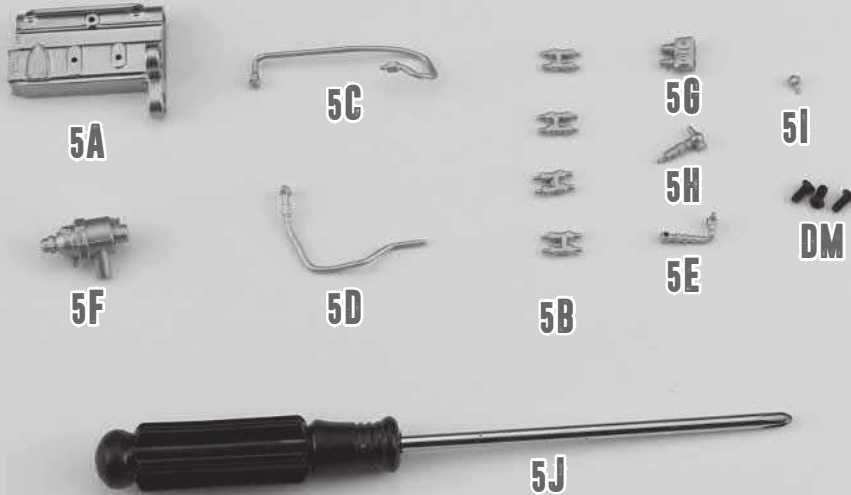
- AP** 5 screws (1.7x4mm)
- DM** 5 screws (2x4mm)



stepbystep #04



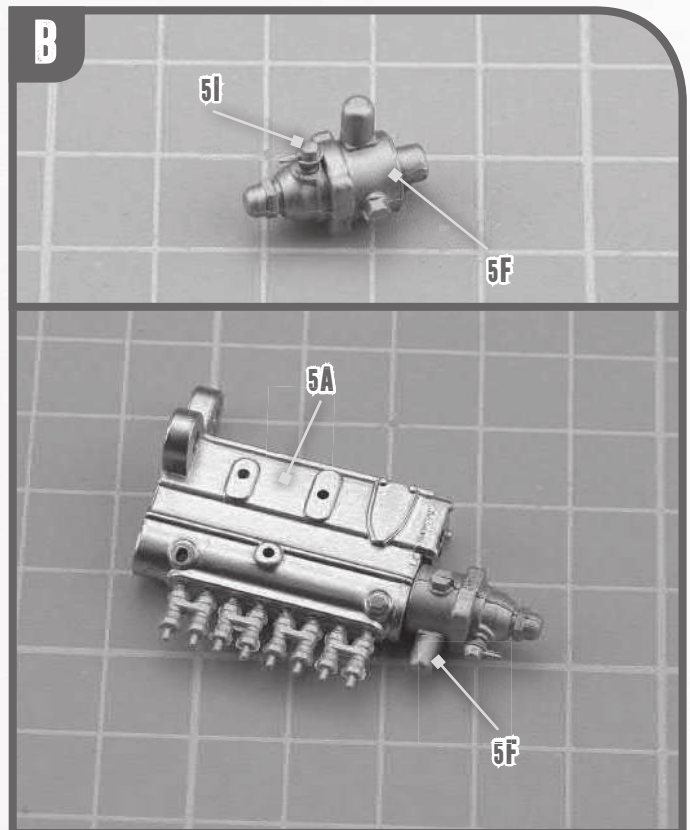
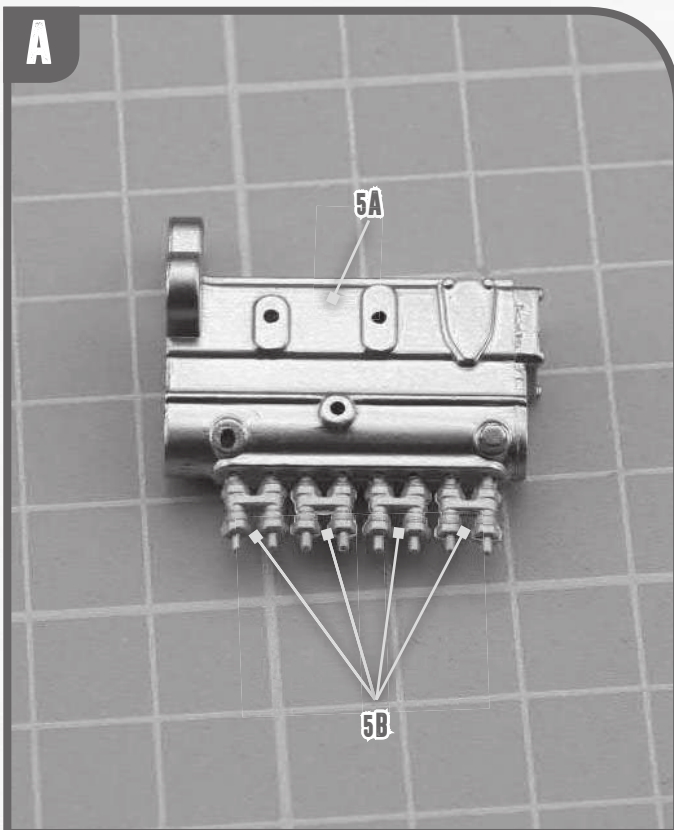
05 PARTS LIST



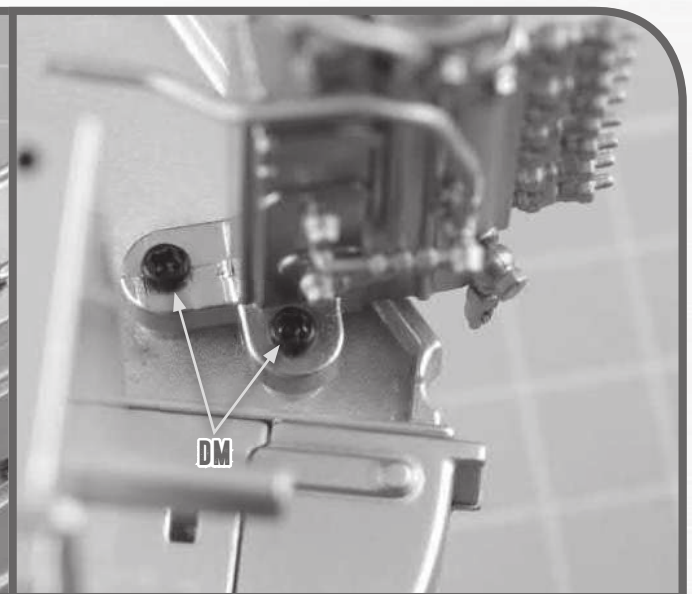
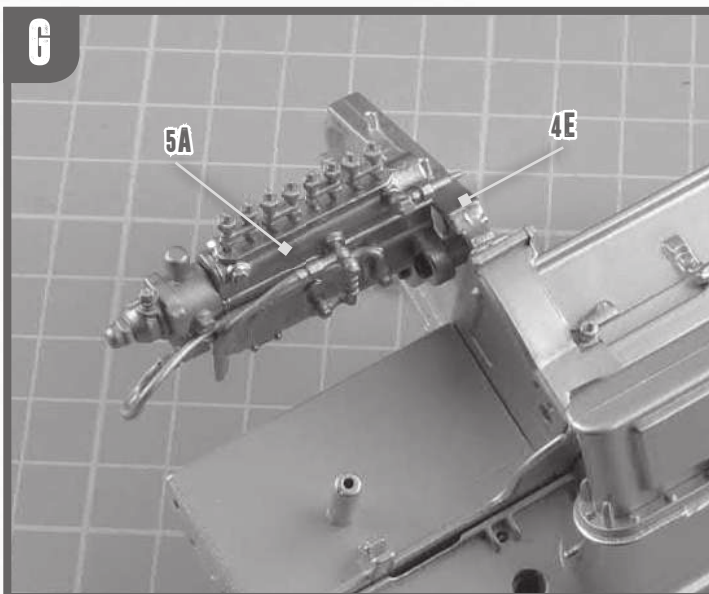
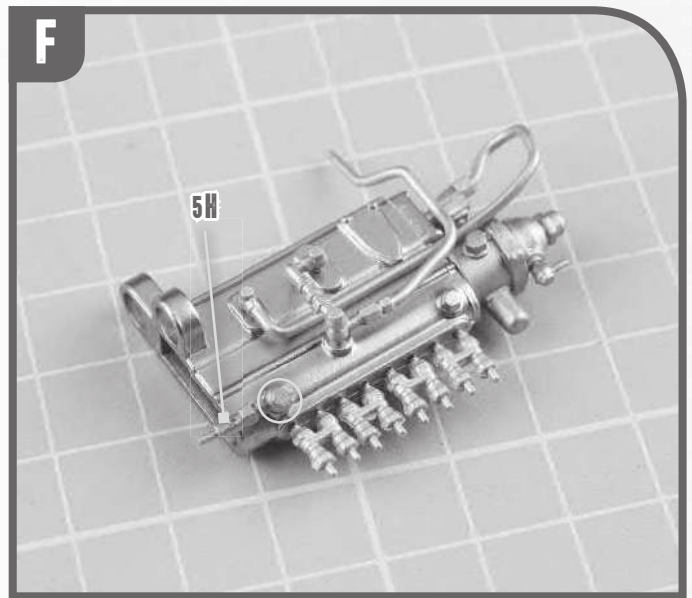
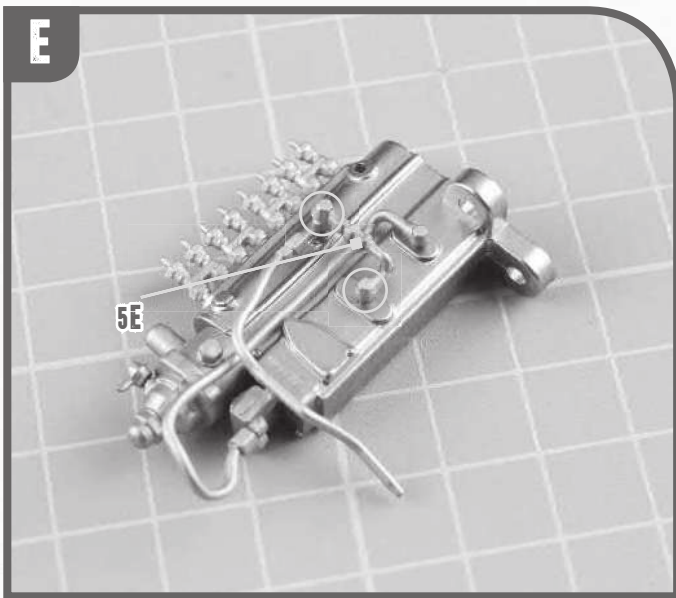
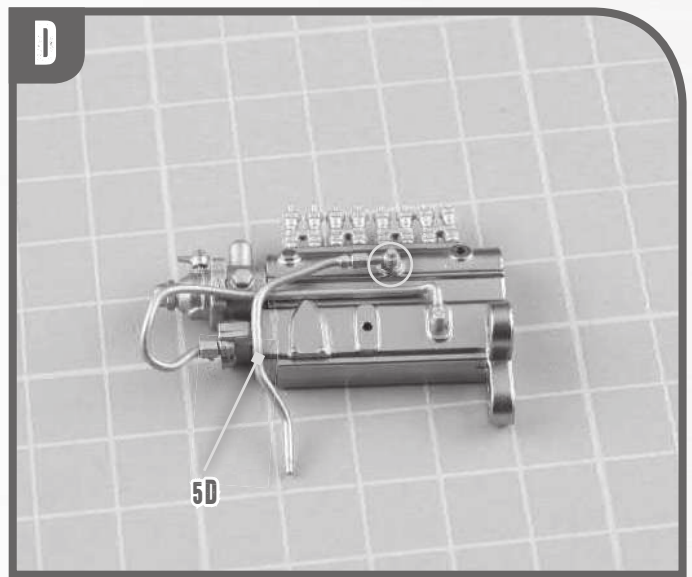
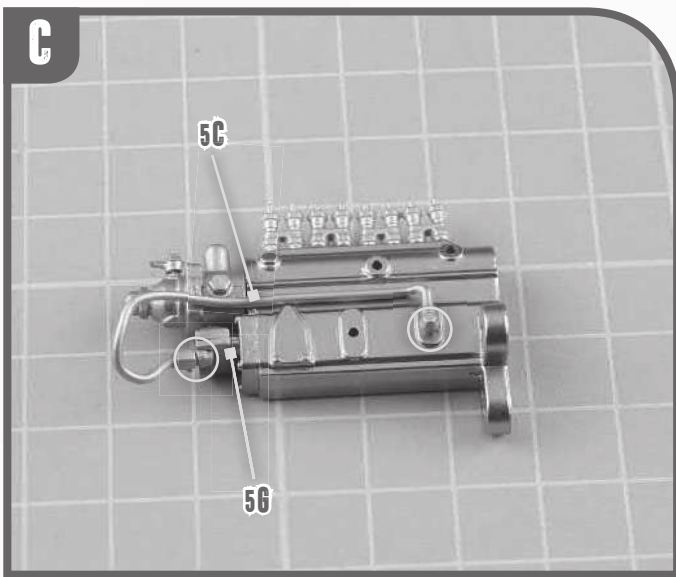
5A Fuel pump body
5B Joints 1 (x4)
5C Pipe 1
5D Pipe 2

5E Joint 2
5F Fuel pump part A
5G Fuel pump part B
5H Joint 3

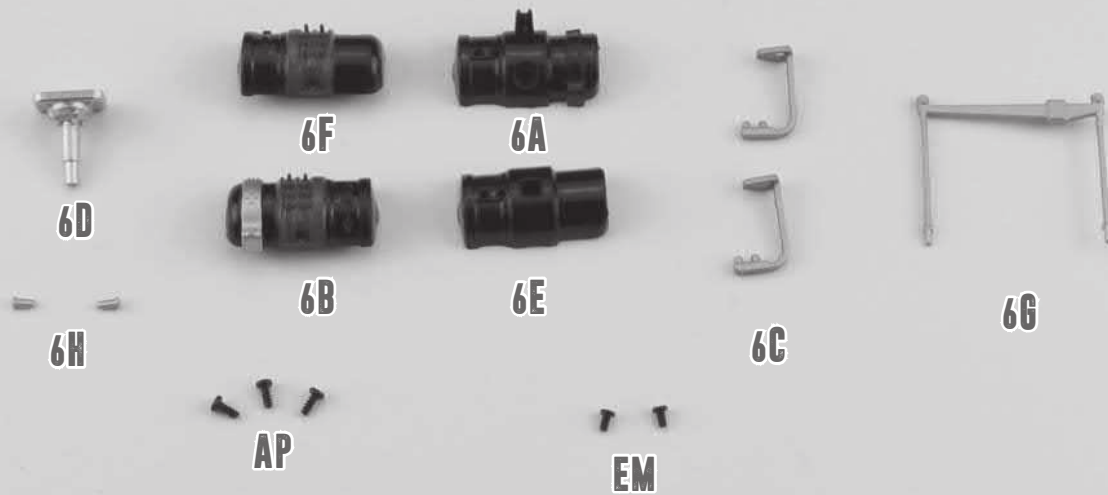
5I Joint 4
5J Screwdriver
DM 3 screws (2x4mm)



stepbystep #05



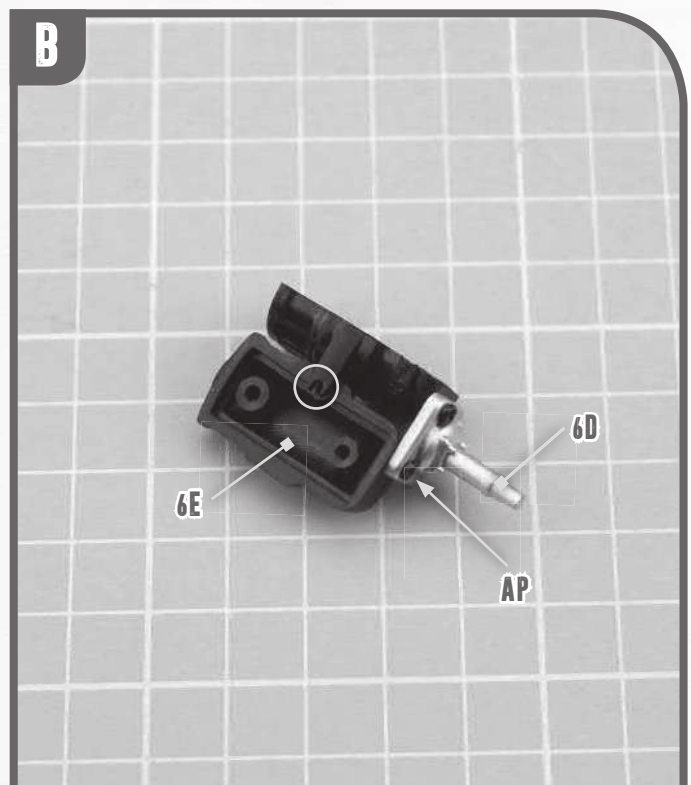
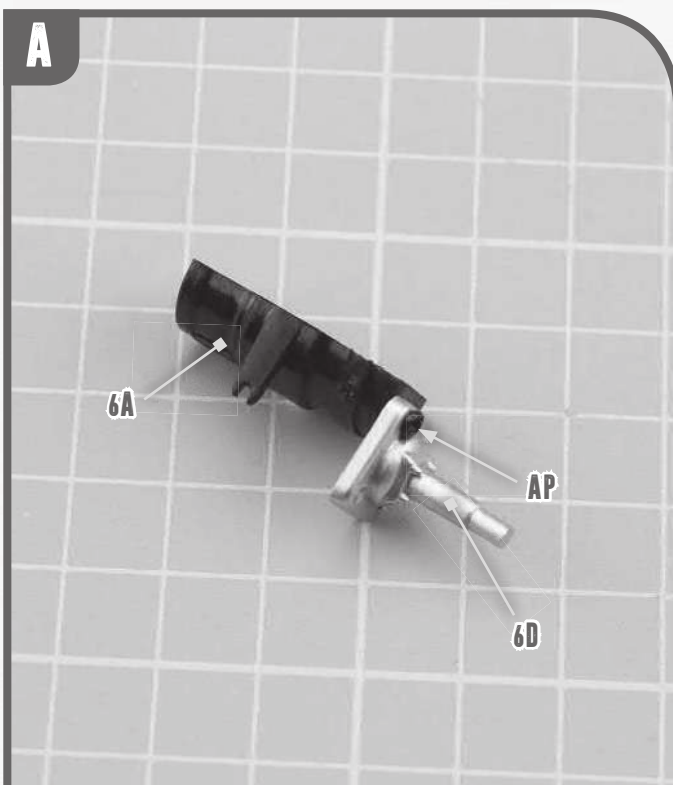
06 PARTS LIST

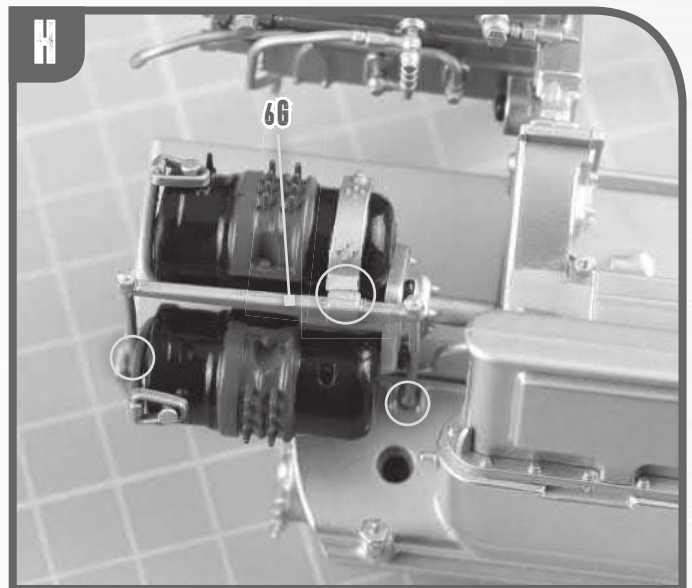
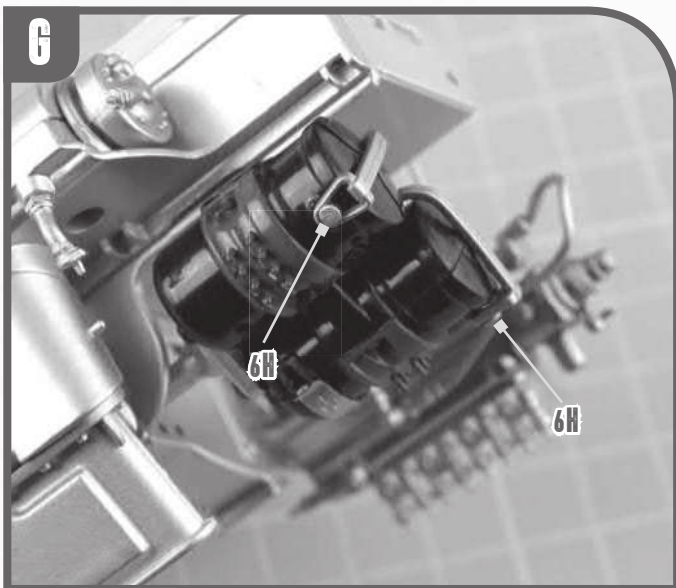
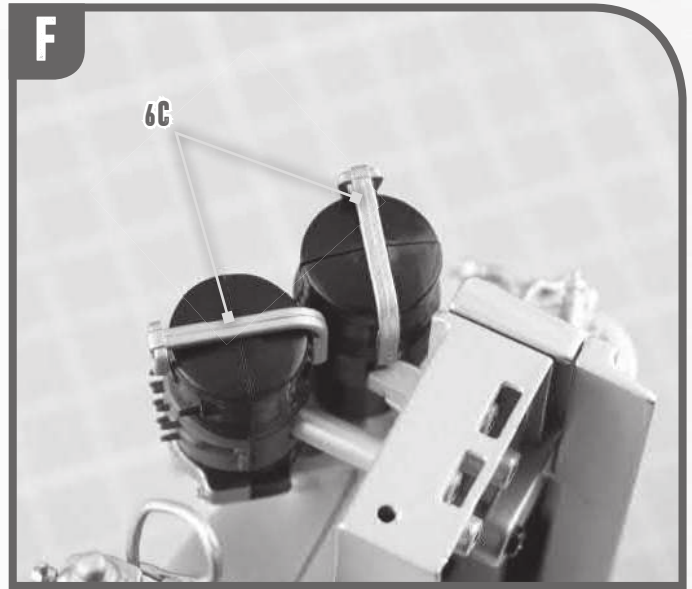
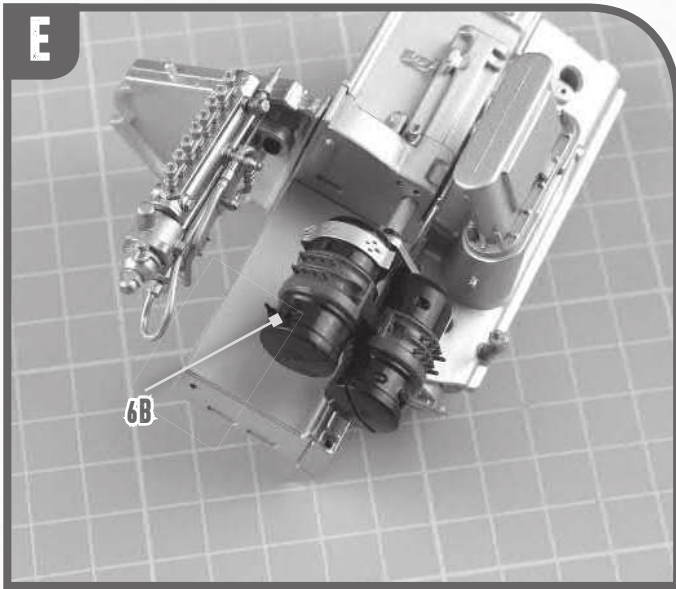
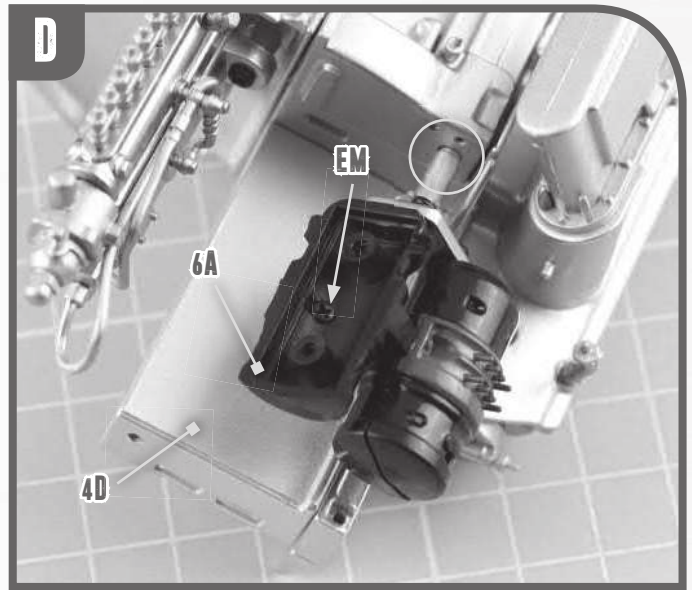
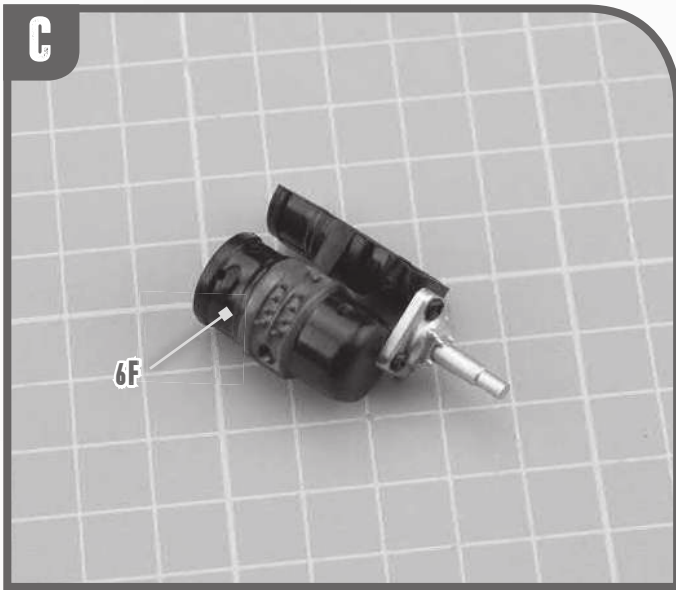


6A Starter part A
6B Starter part B
6C Brackets (x2)
6D PTO shaft

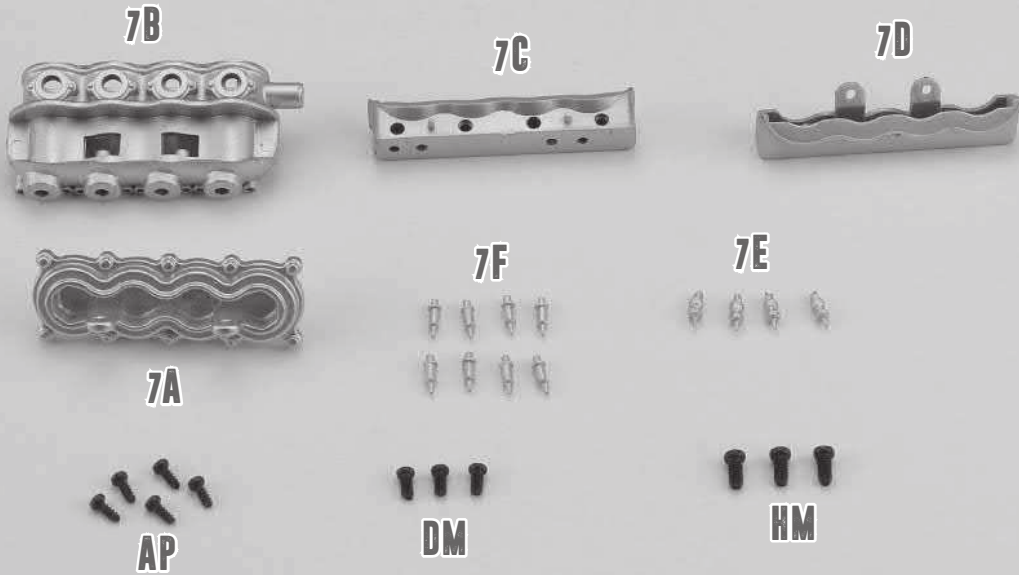
6E Starter part C
6F Starter part D
6G Starter support
6H Pins (x2)

AP 3 screws (1.7x4mm)
EM 2 screws (1.5x3mm)





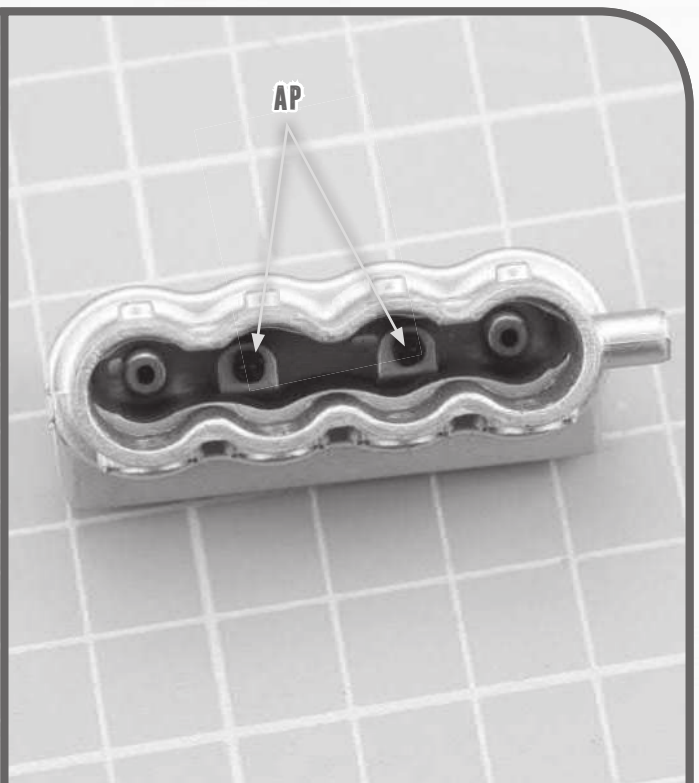
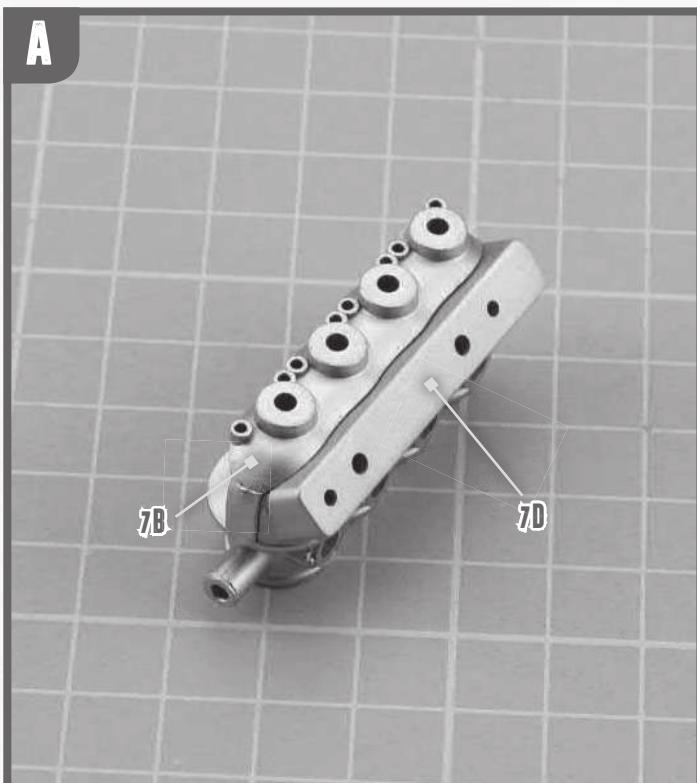
07 PARTS LIST

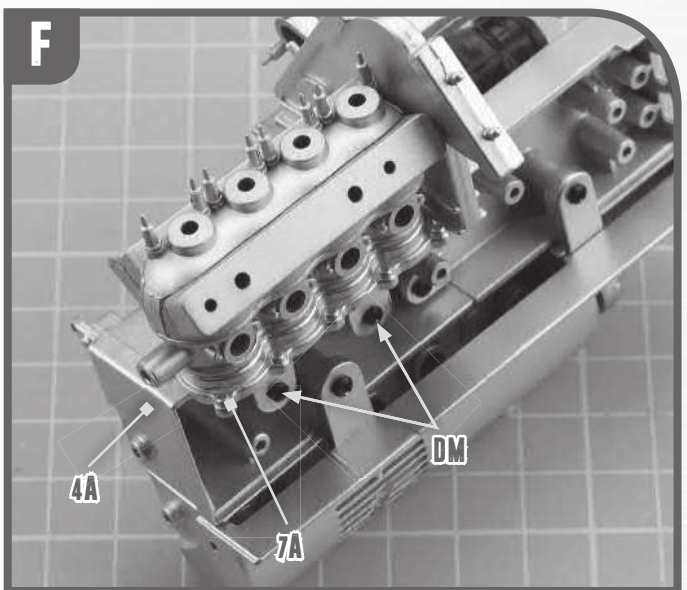
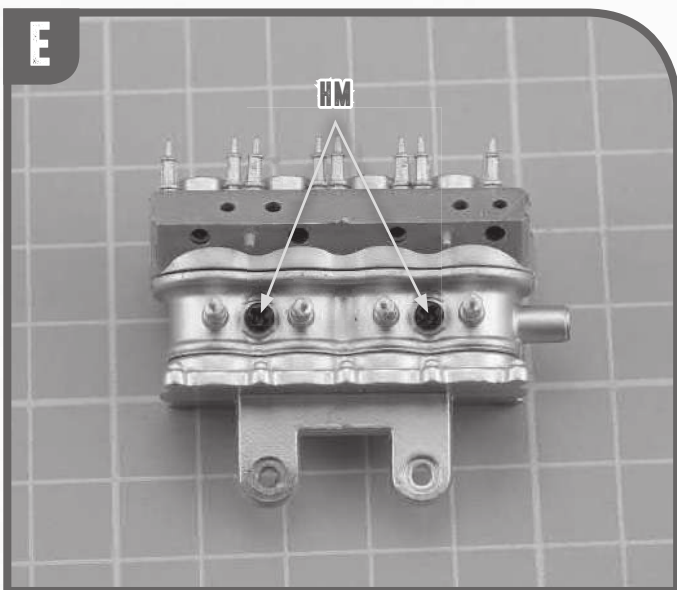
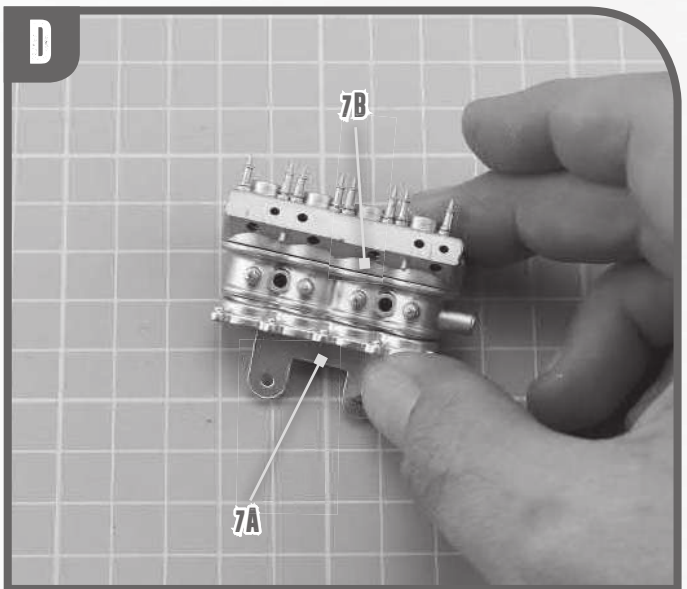
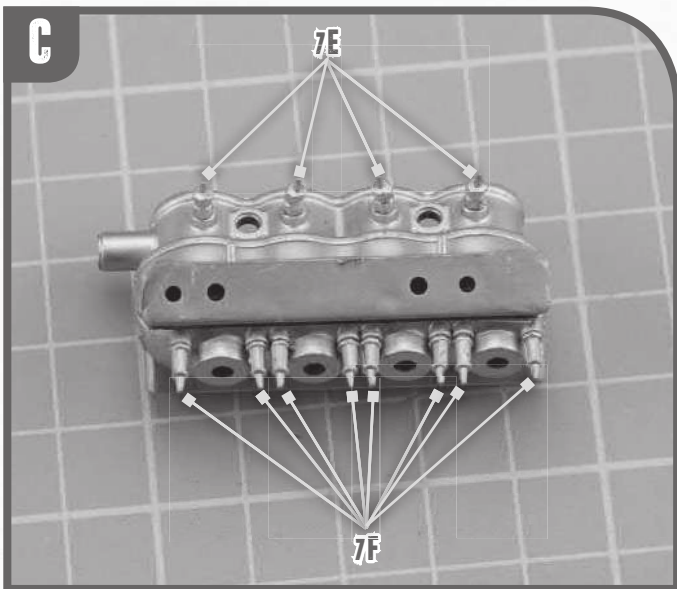
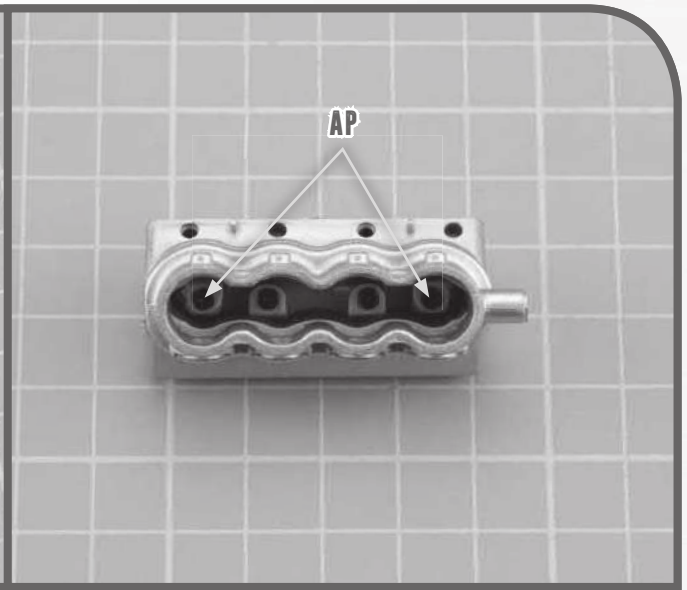
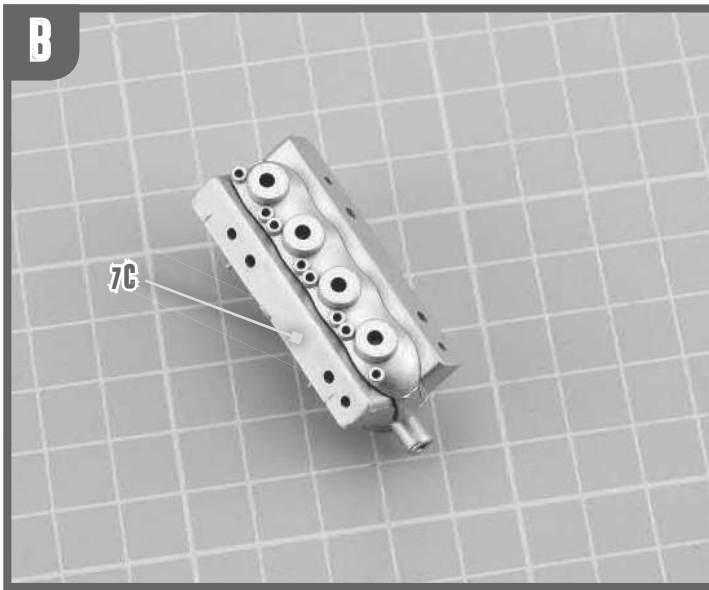


7A Cylinder head base
7B Cylinder head
7C Cover 1

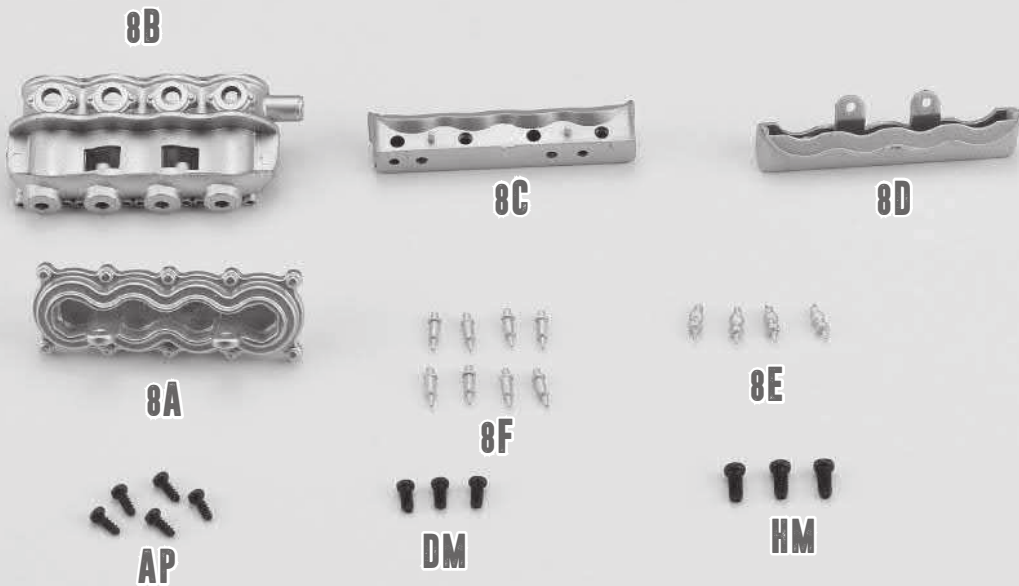
7D Cover 2
7E Fuel injectors (x4)
7F Spark plugs (x8)

AP 5 screws (1.7x4mm)
DM 3 screws (2x4mm)
HM 3 screws (2.3x5mm)





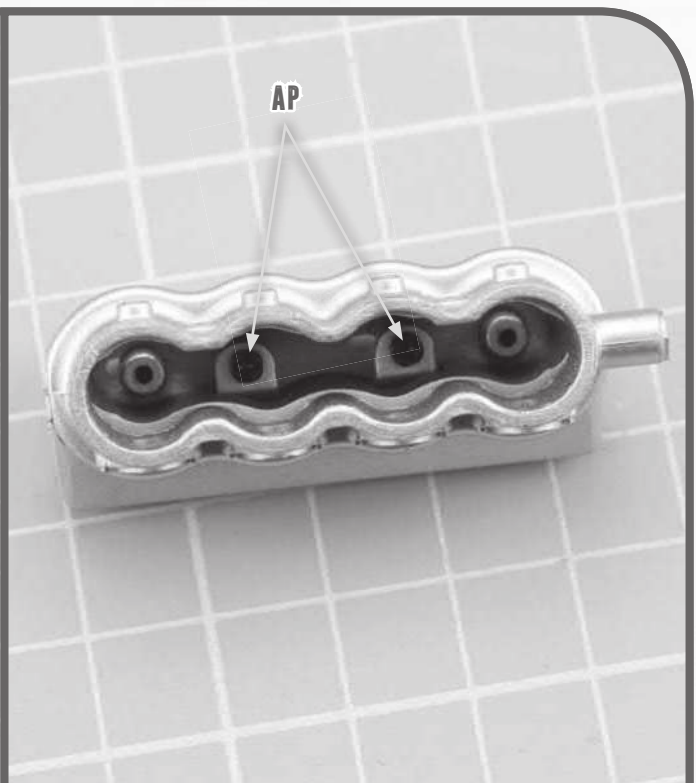
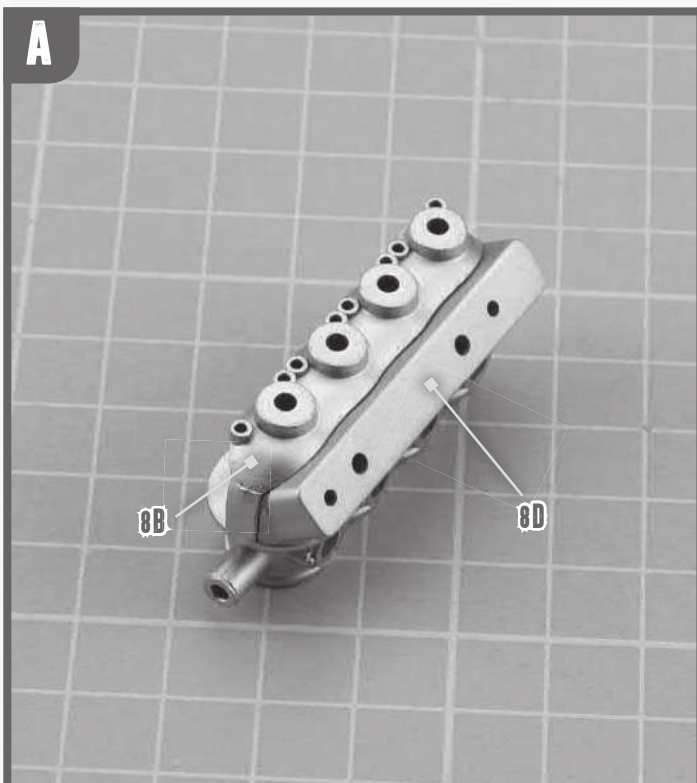
08 PARTS LIST

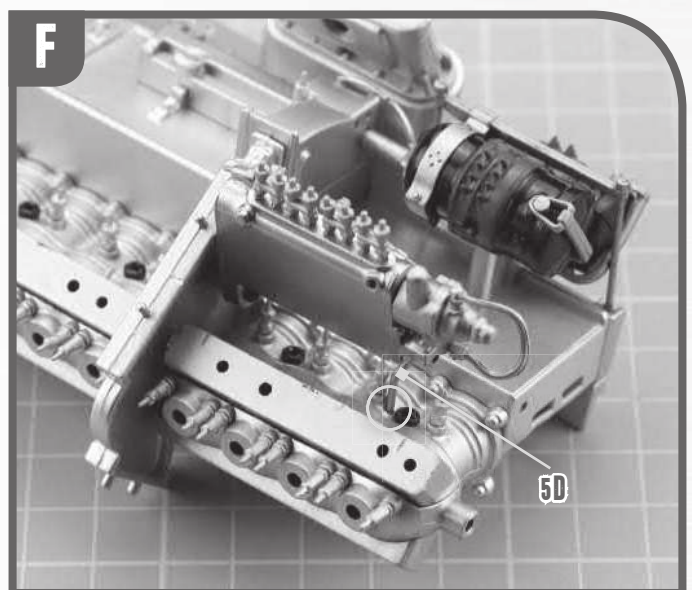
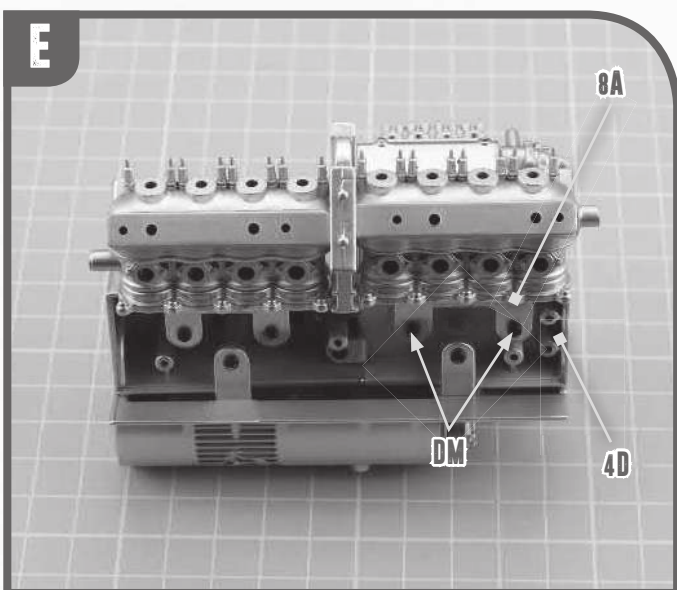
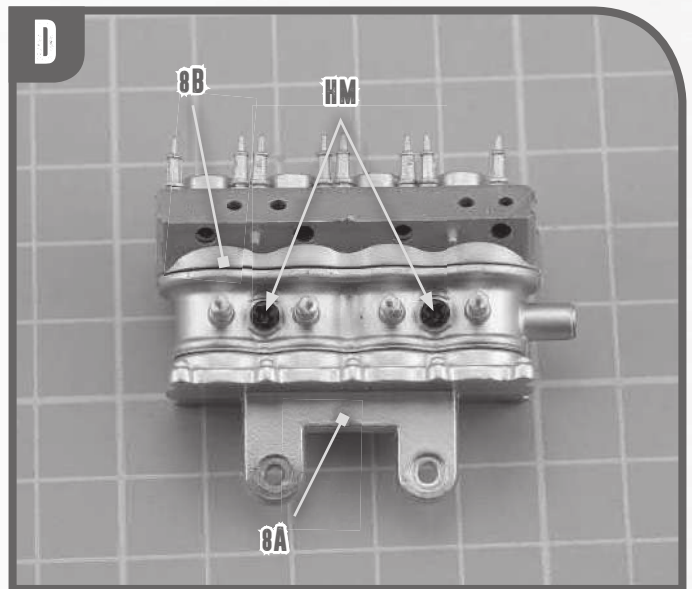
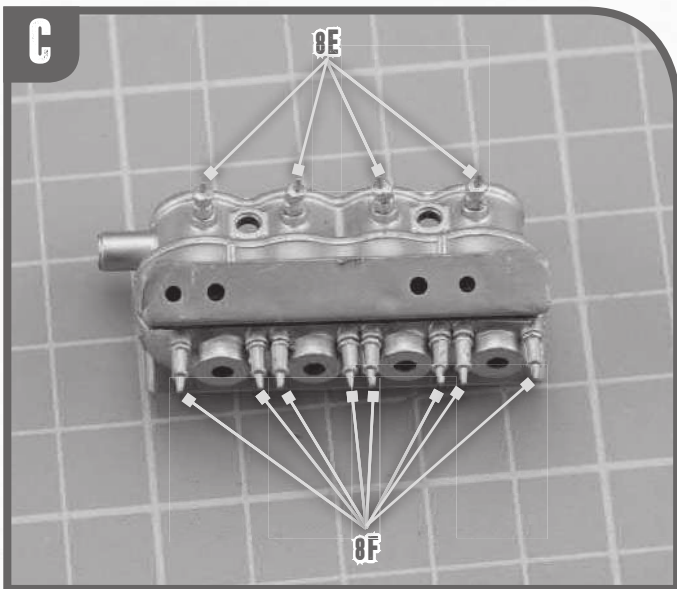
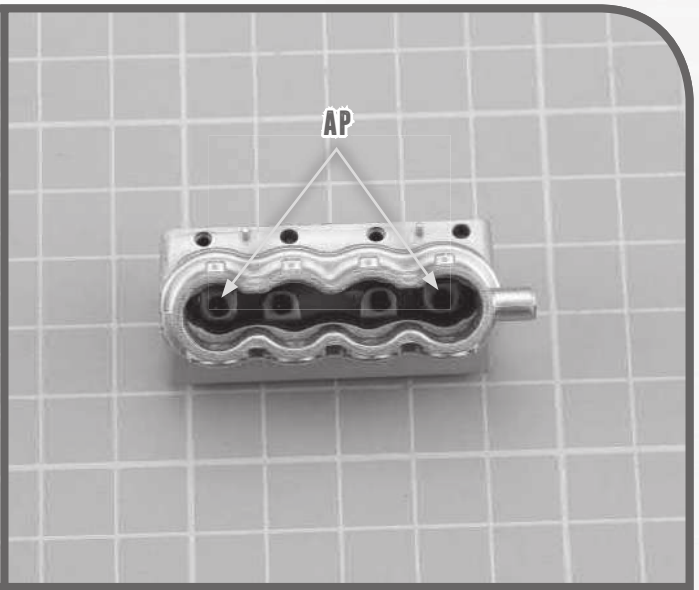
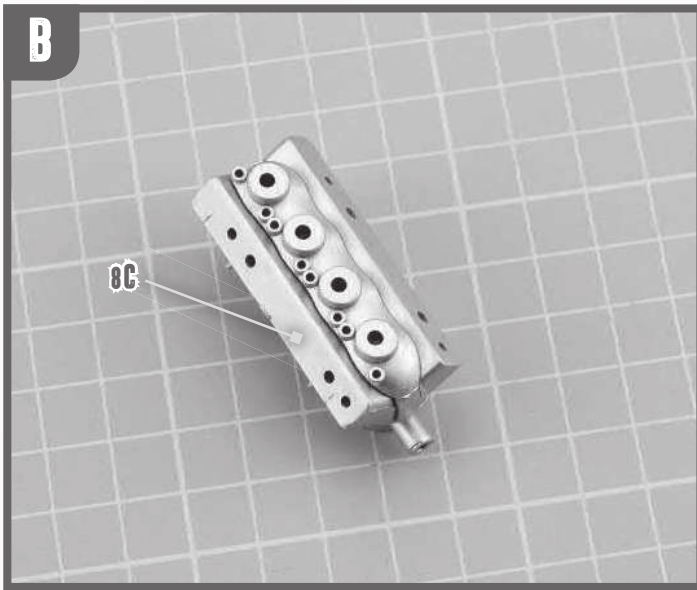


8A Cylinder head base
8B Cylinder head
8C Cover 1

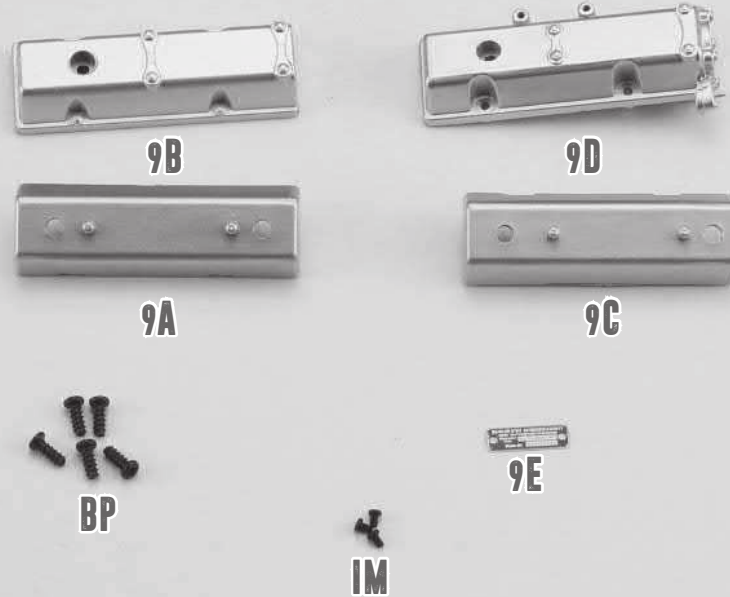
8D Cover 2
8E Fuel injectors (x4)
8F Spark plugs (x8)

AP 5 screws (1.7x4mm)
DM 3 screws (2x4mm)
HM 3 screws (2.3x5mm)





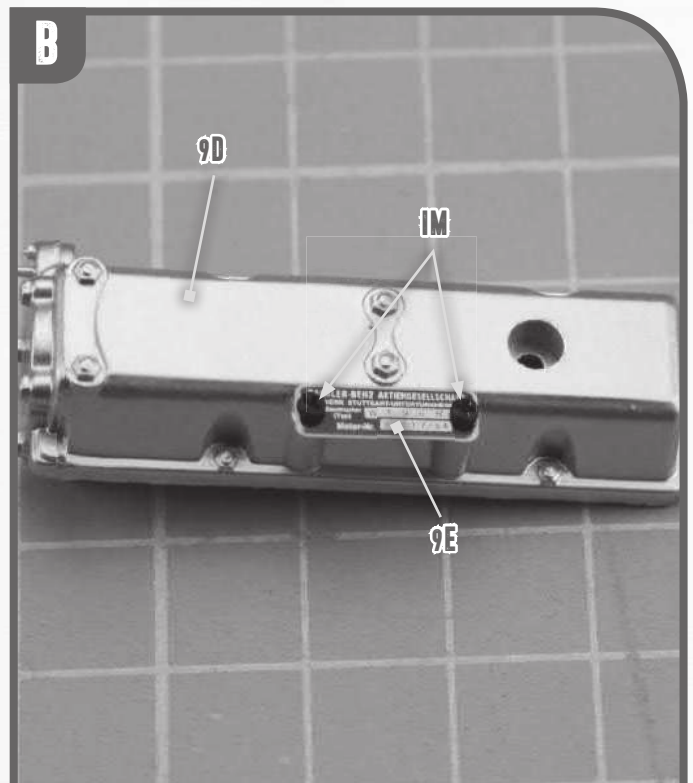
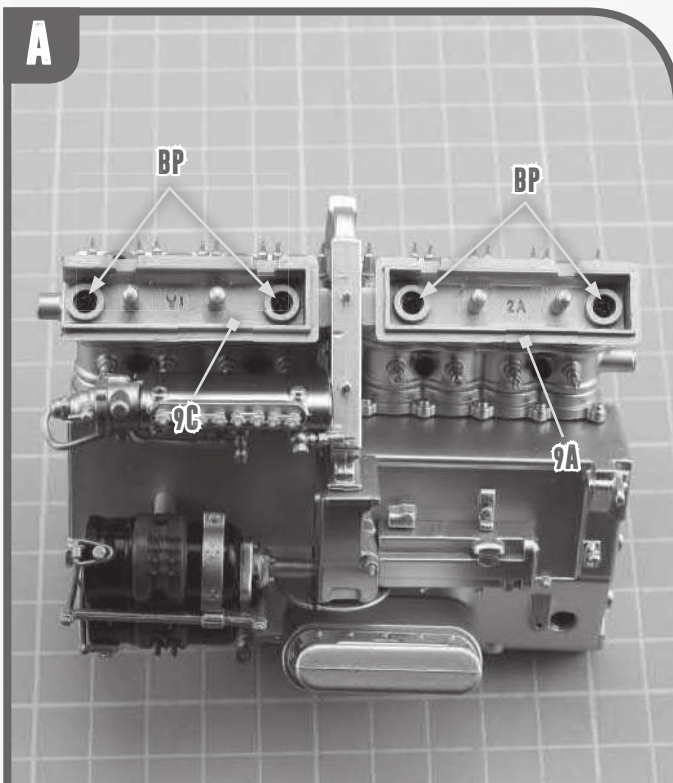
09 PARTS LIST



9A Valves cover base 1
9B Valves cover 1
9C Valves cover base 2

9D Valves cover 2
9E Plate

BP 5 screws (2x5mm)
IM 3 screws (1.2x2mm)



10 PARTS LIST



10A



10B



10D



10C



AP



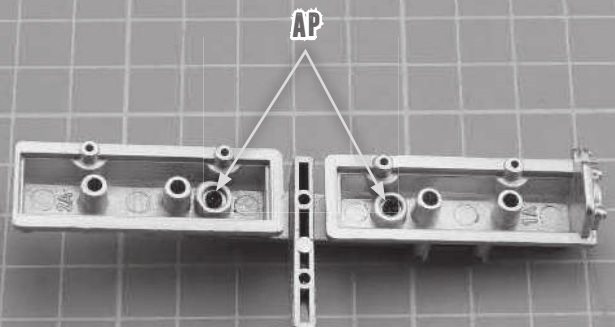
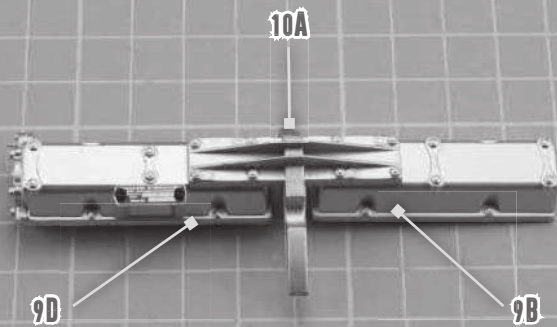
EM

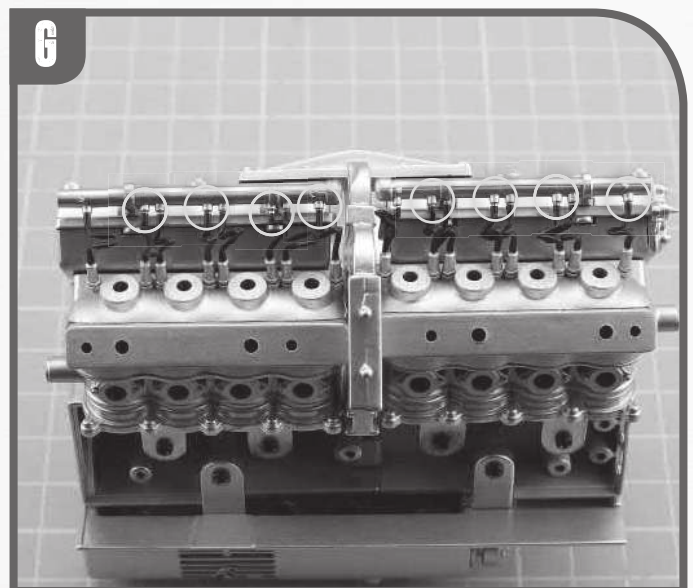
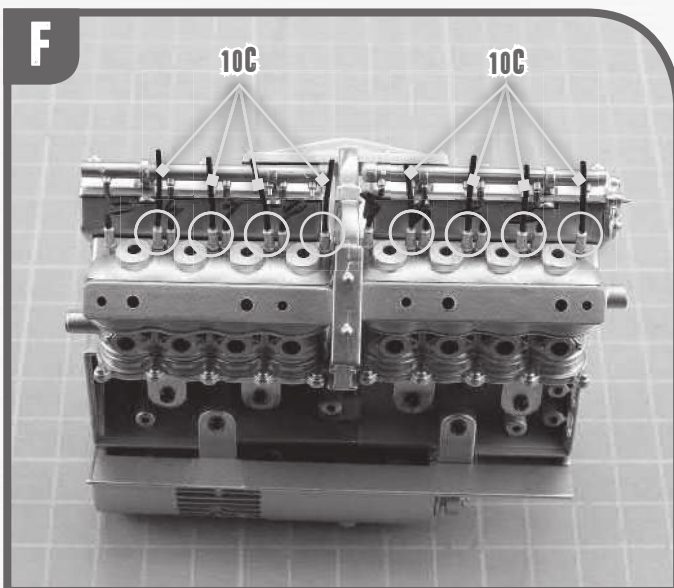
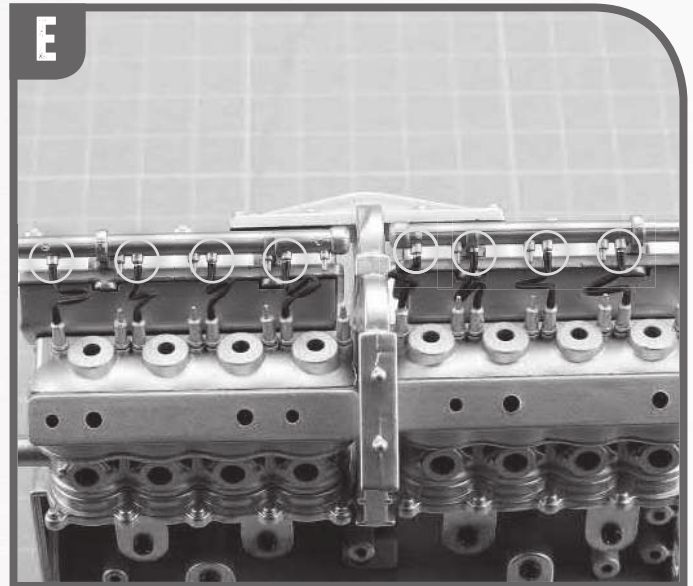
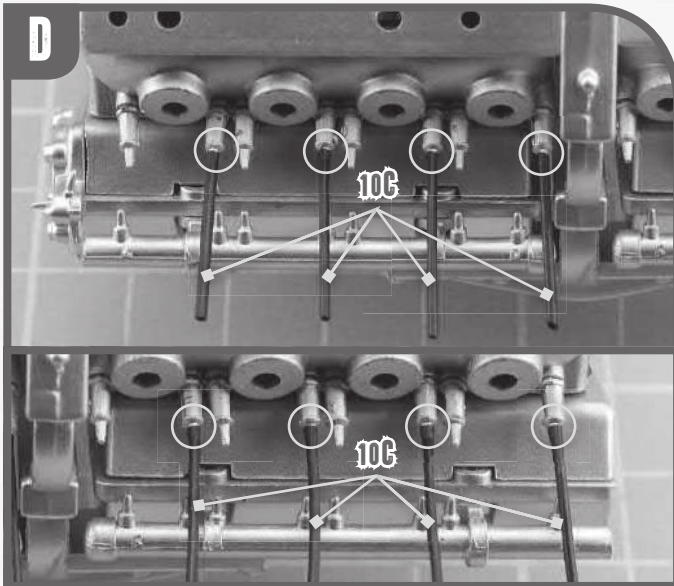
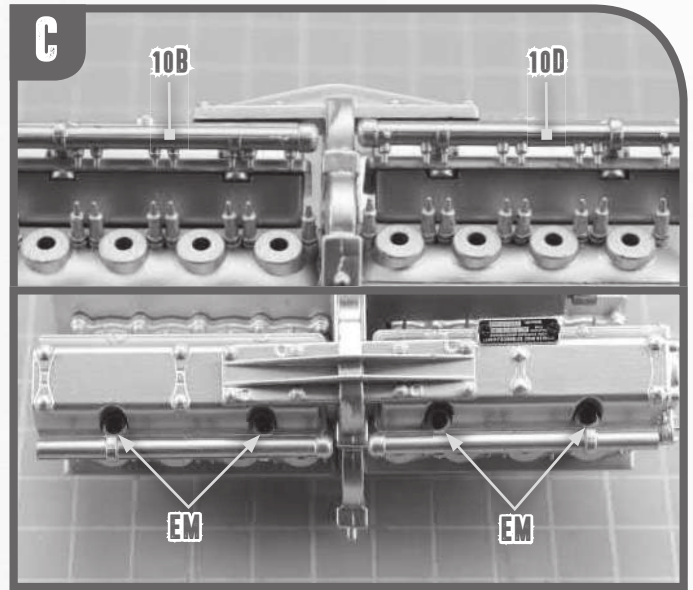
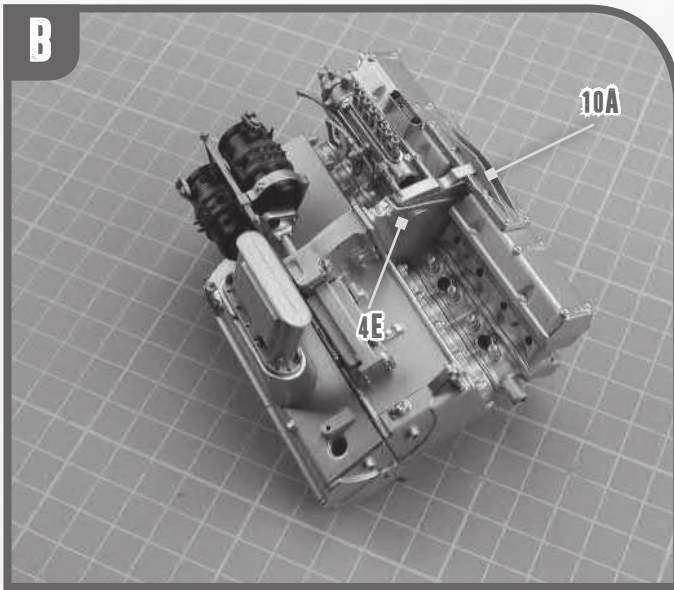
10A Valves covers bracket 1
10B Wires cover 1

10C Wires (x16)
10D Wires cover 2

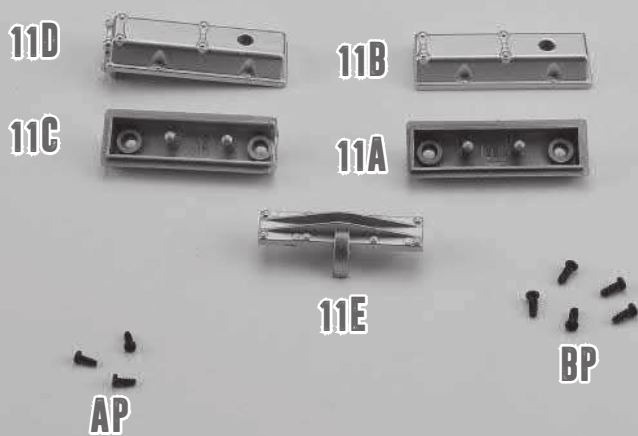
AP 3 screws (1.7x4mm)
EM 5 screws (1.5x3mm)

A



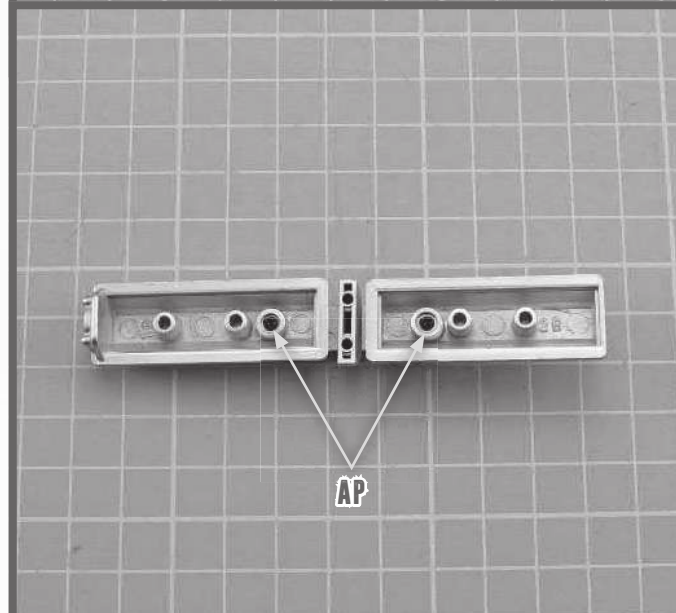
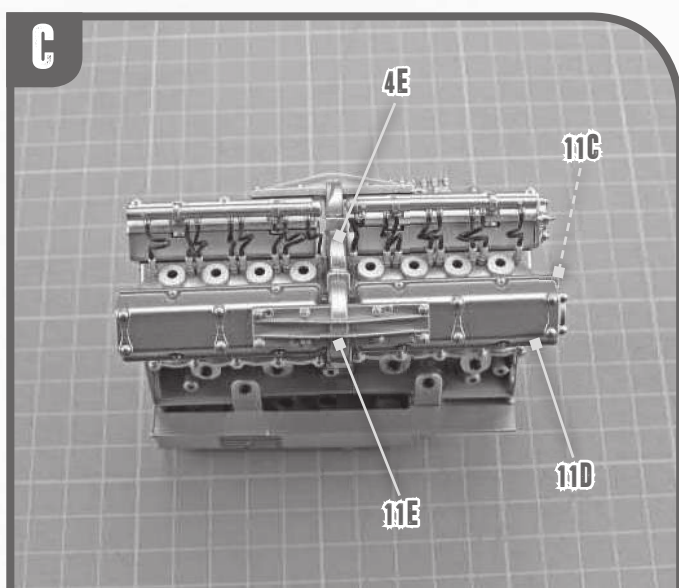
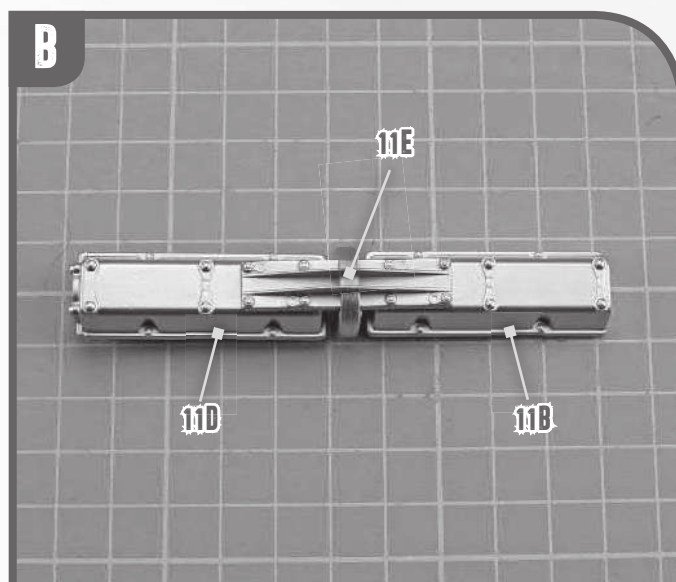
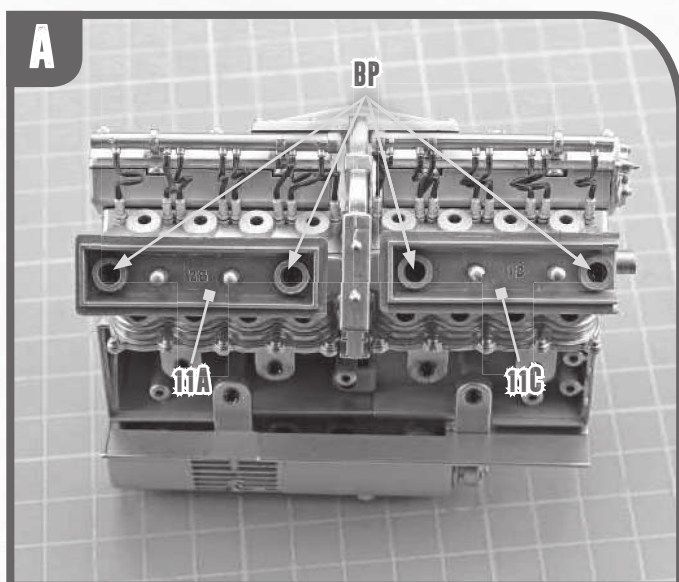


11 PARTS LIST



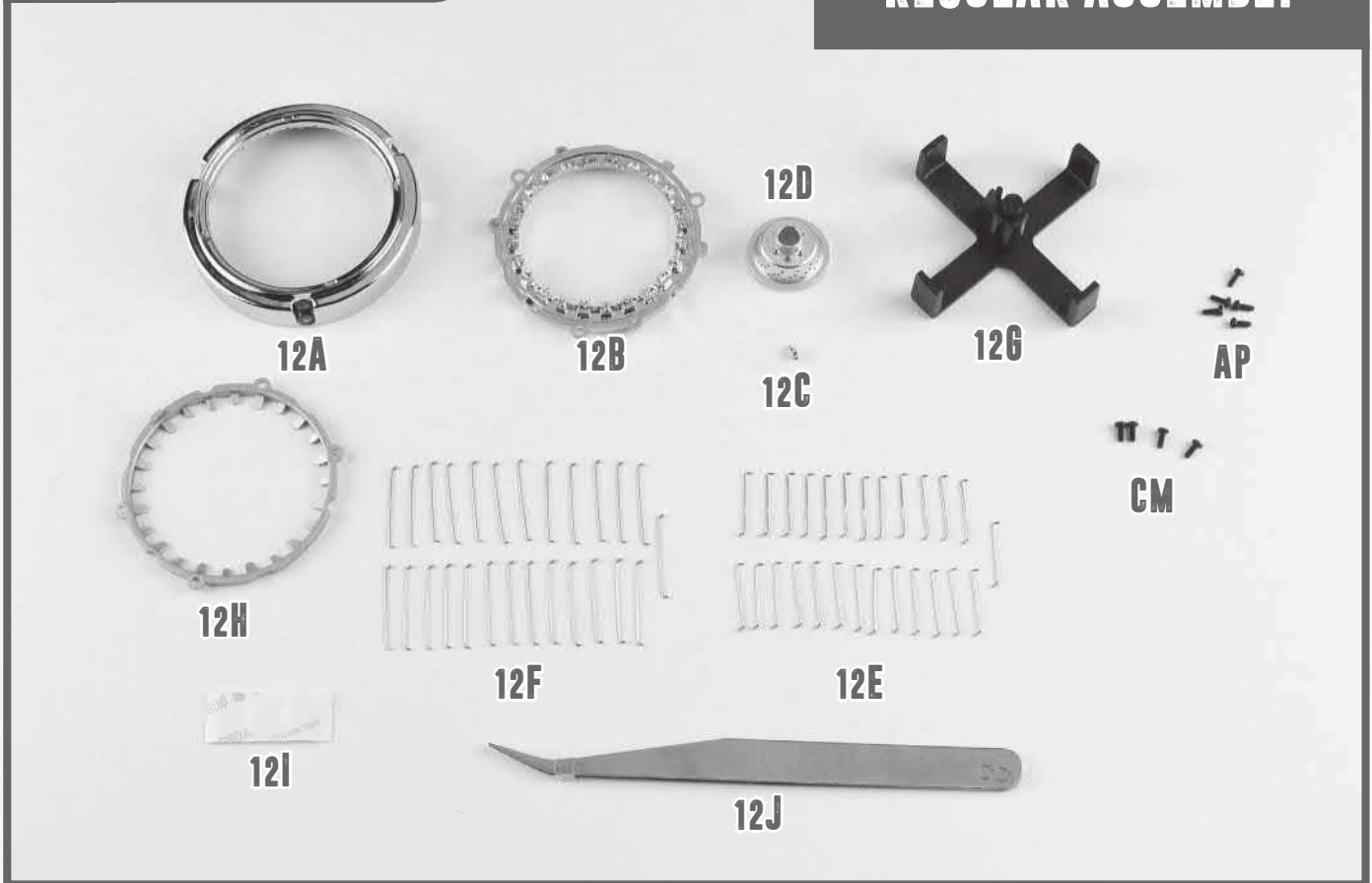
- 11A** Valves cover base 3
- 11B** Valves cover 3
- 11C** Valves cover base 4
- 11D** Valves cover 4
- 11E** Valves cover bracket 2

- AP** 3 screws (1.7x4mm)
- BP** 5 screws (2x5mm)

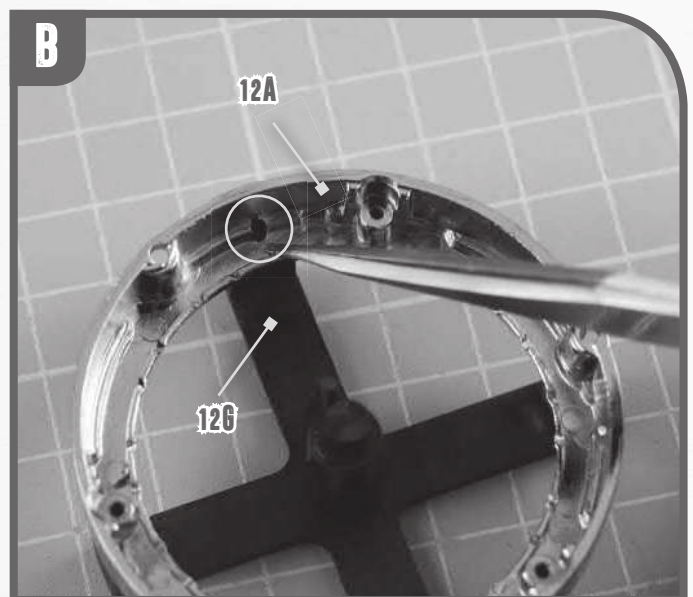
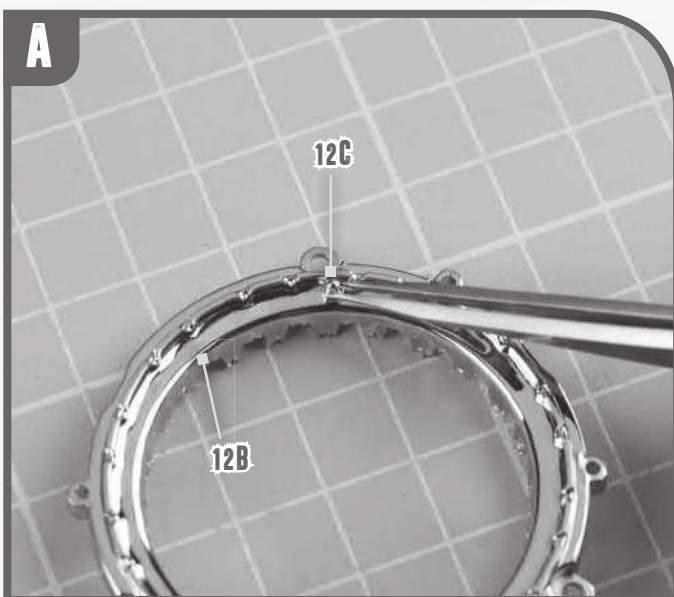


12 PARTS LIST

REGULAR ASSEMBLY



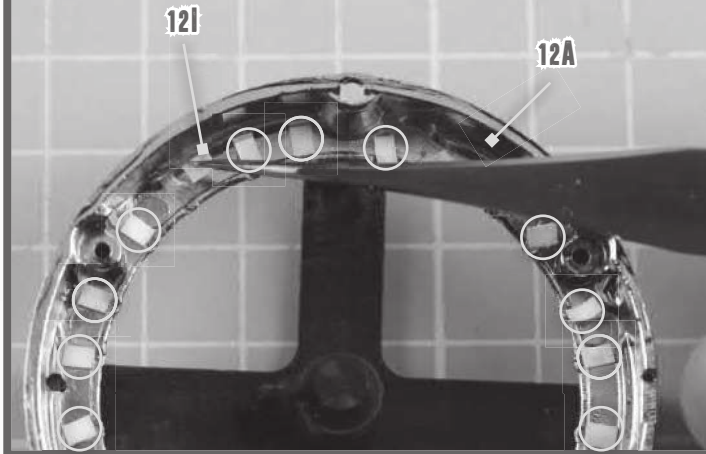
- 12A** Outer rim
- 12B** Central ring 1
- 12C** Inflation valve
- 12D** Hub 1
- 12E** Spokes 1
- 12F** Spokes 2
- 12G** Jig
- 12H** Central ring 2
- 12I** Double-sided tape
- 12J** Tweezers
- AP** 5 screws (1.7x4mm)
- CM** 4 screws (1.7x4mm)



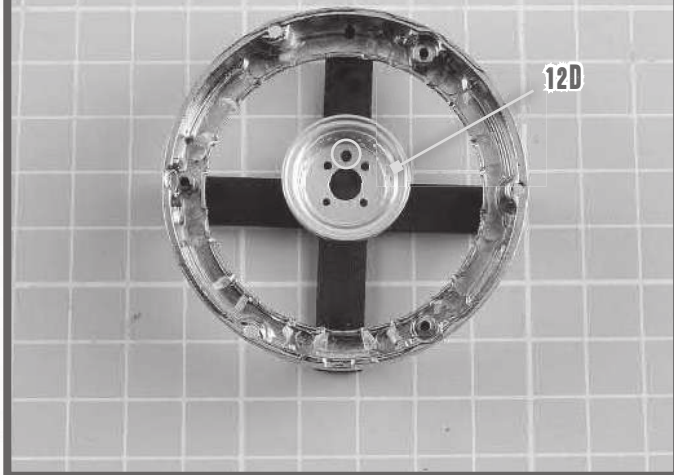
step by step #12

C

Apply 24 pieces of double-sided tape 12I to 12A's inner profile and tear off their top sheets.

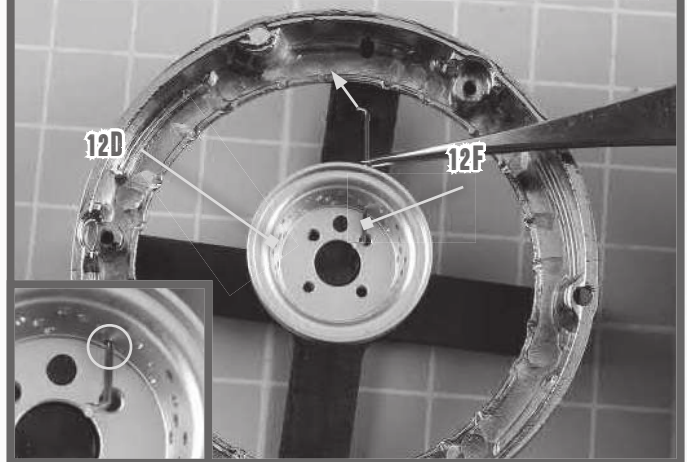


D



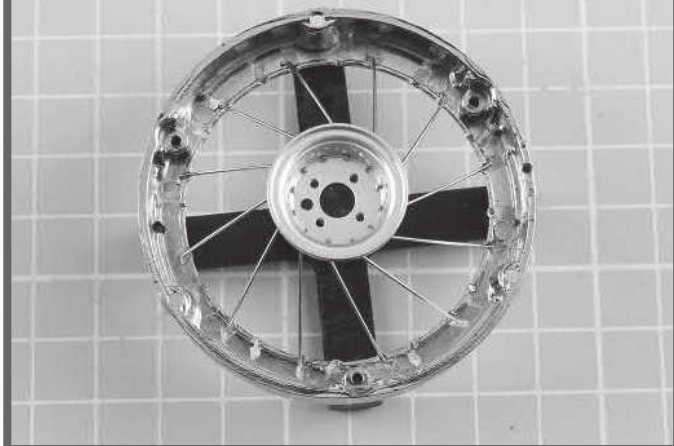
E

Insert 1 spoke 12F through a hole in 12D's first level (counting from the bottom).



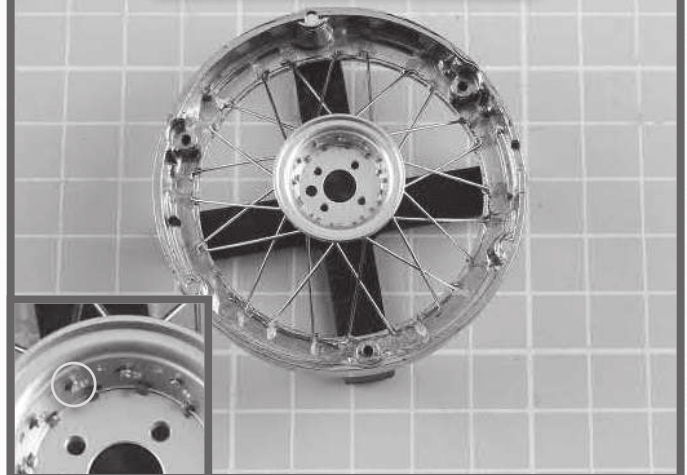
F

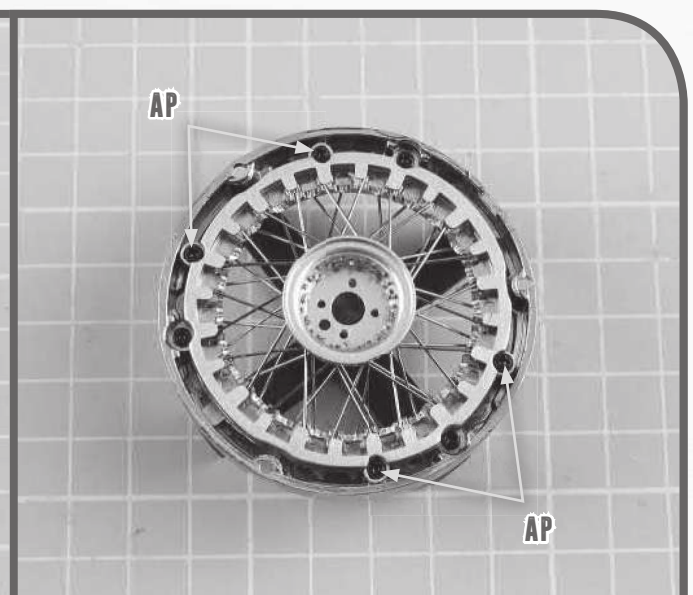
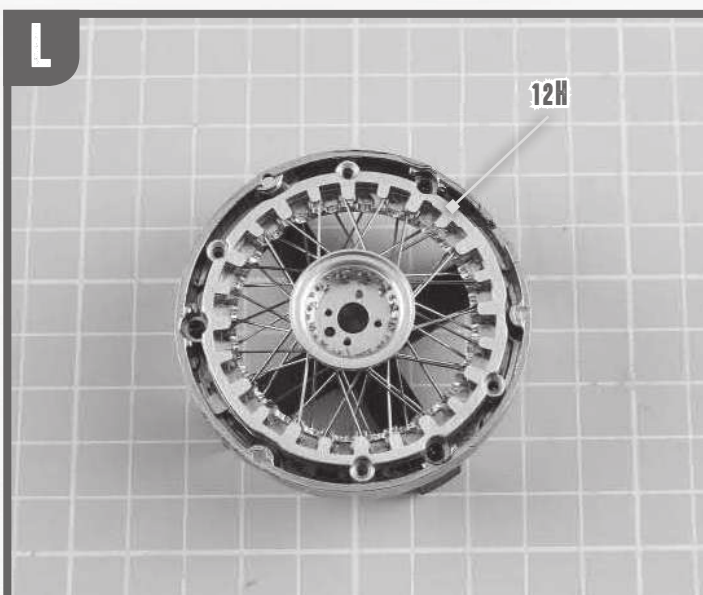
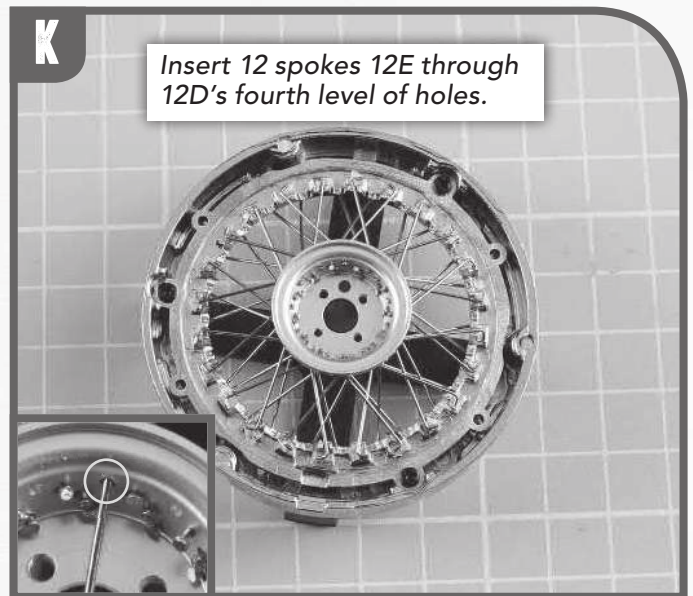
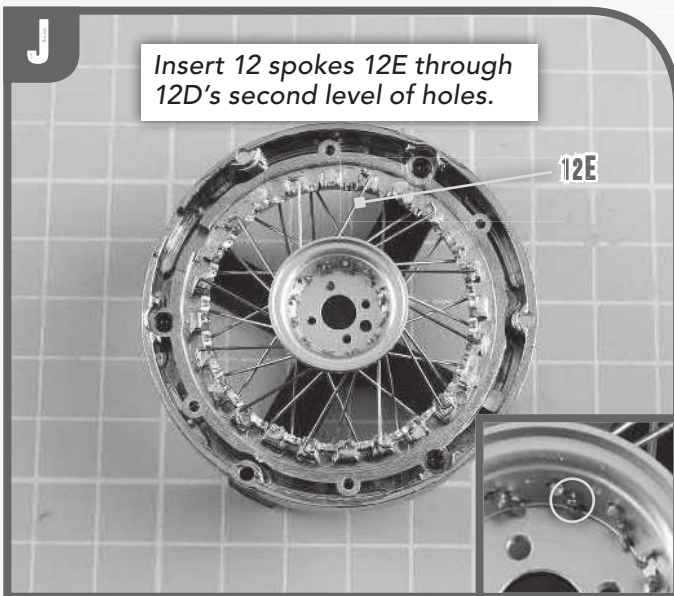
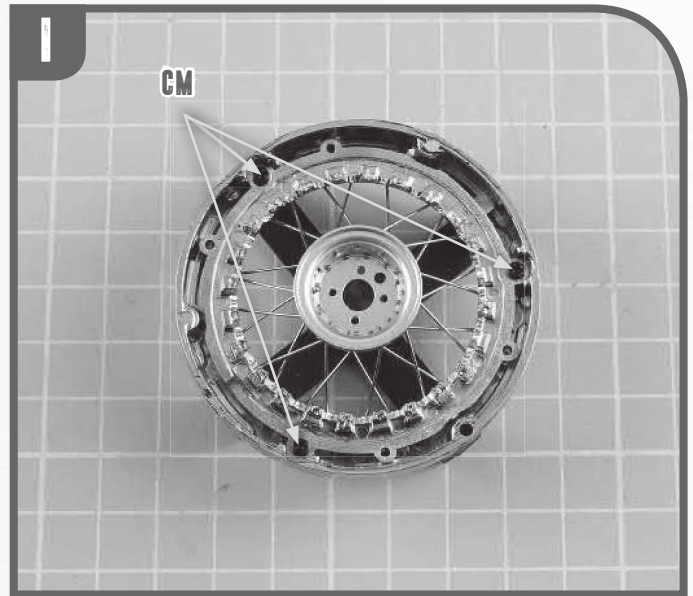
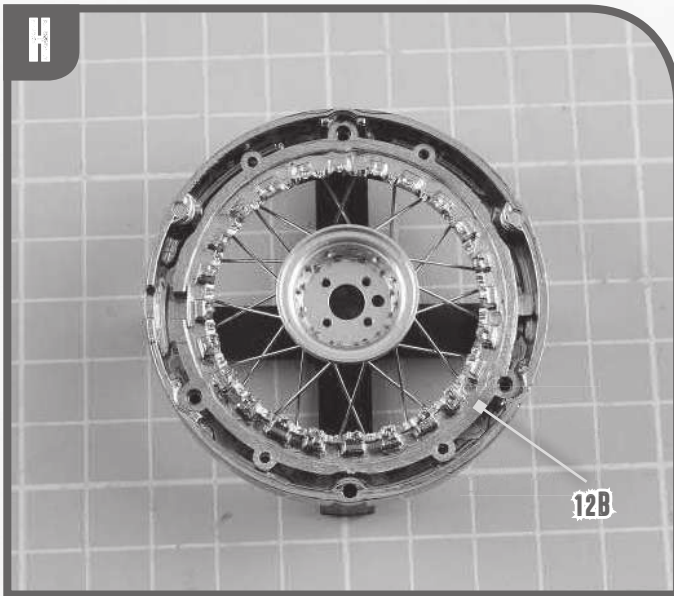
Repeat the process with other 11 spokes 12F.



G

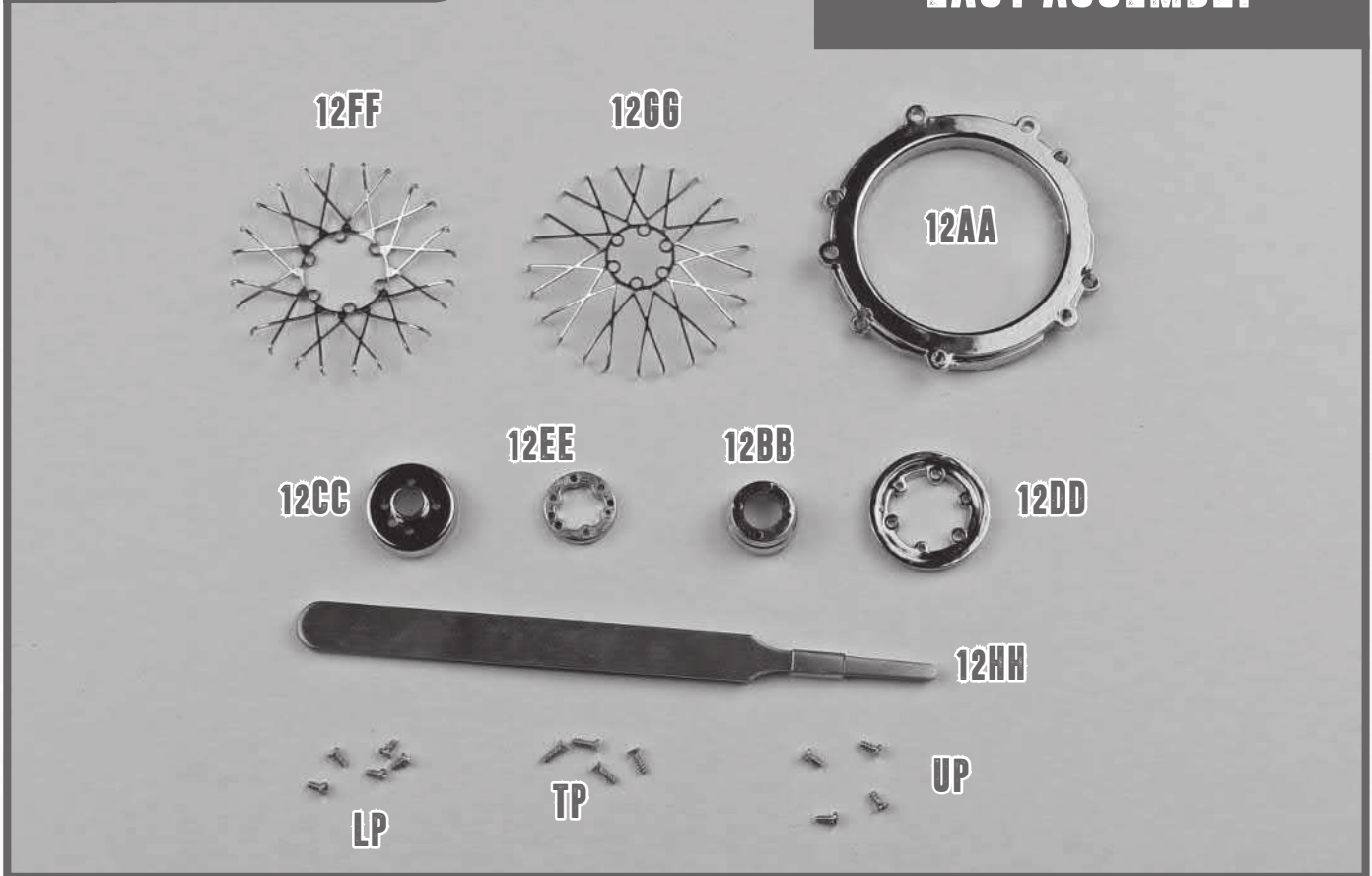
Insert 12 spokes 12F through 12D's third level of holes.





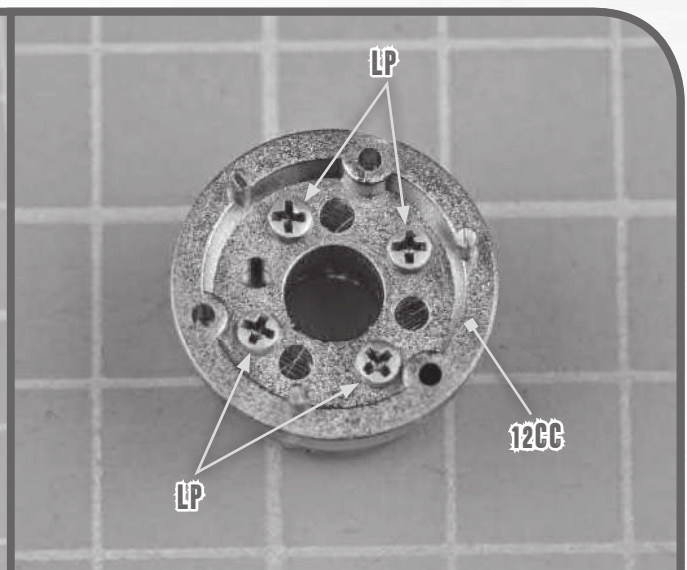
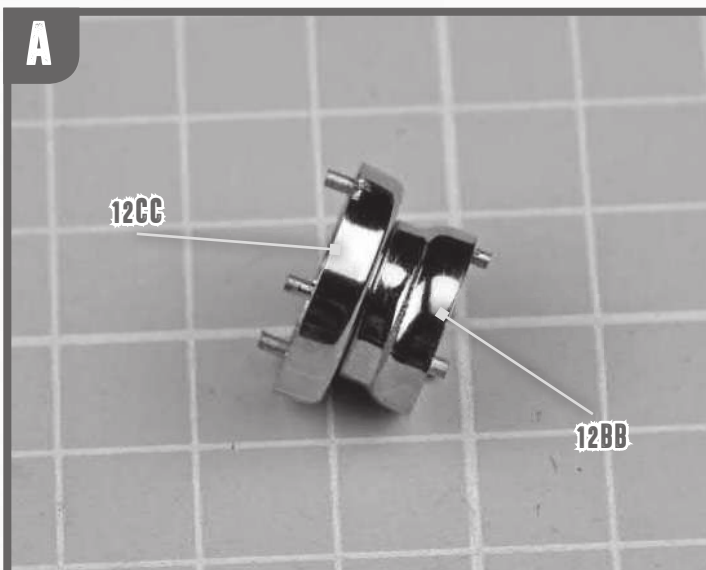
12B PARTS LIST

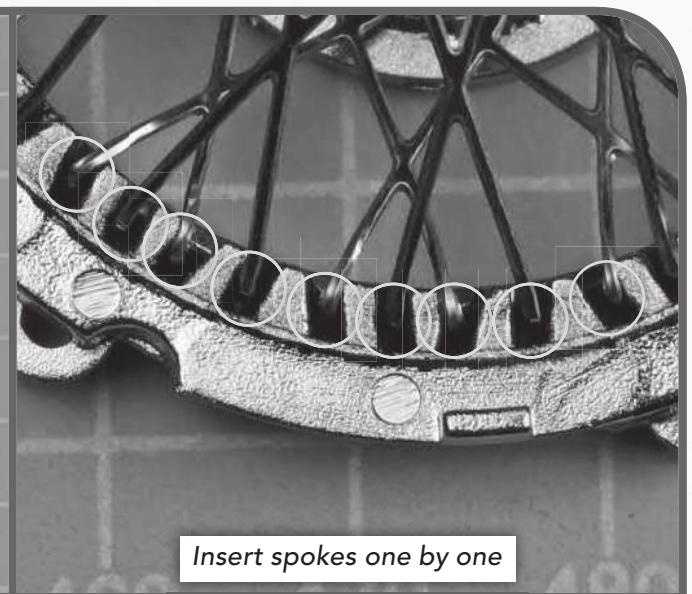
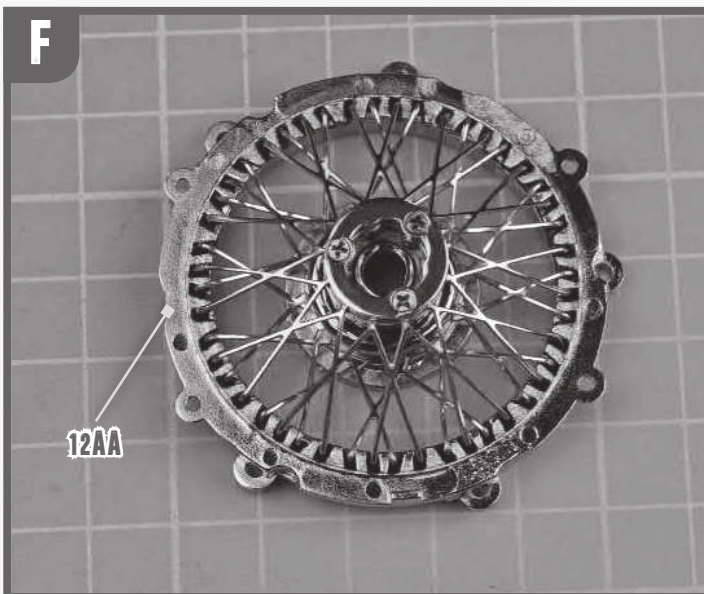
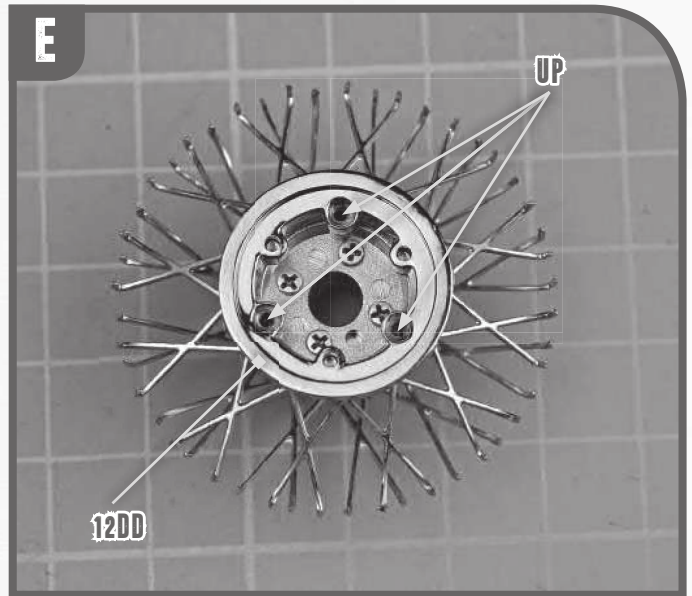
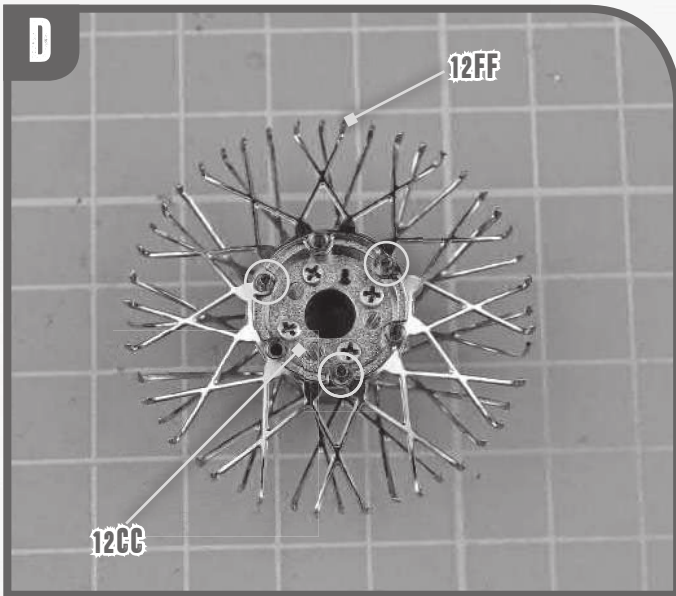
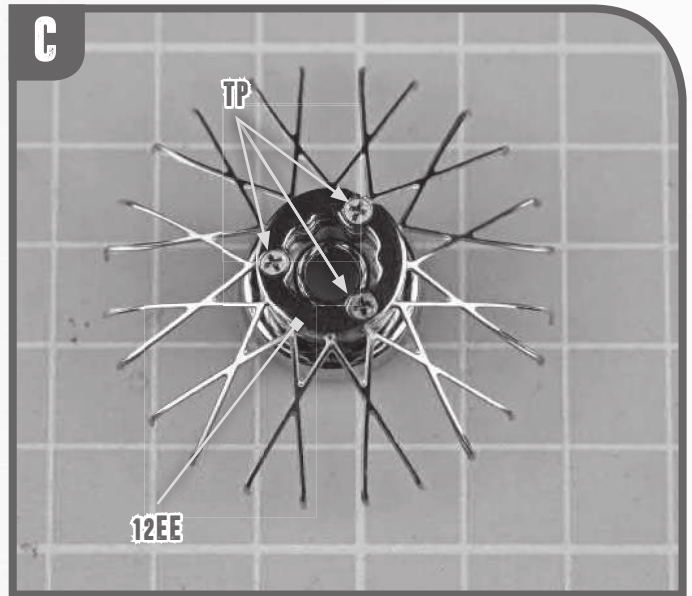
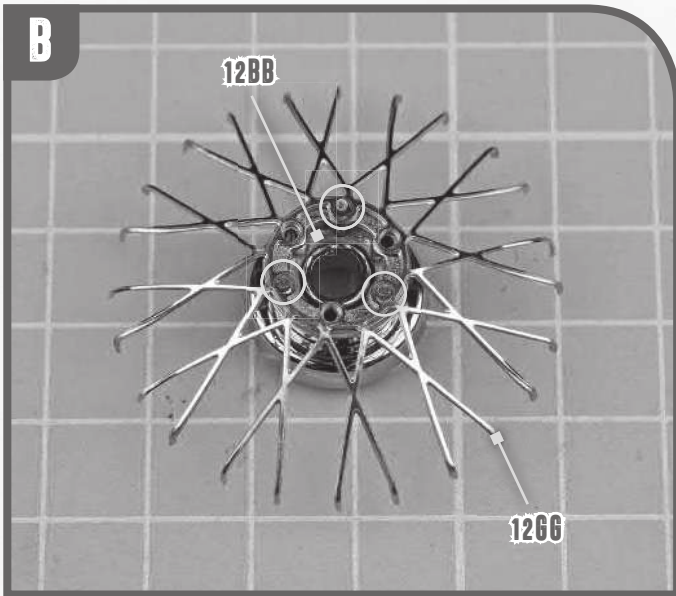
EASY ASSEMBLY



- 12AA** Central ring 1
- 12BB** Hub 1
- 12CC** Hub 2
- 12DD** Hub 3
- 12EE** Hub 4
- 12FF** Spokes 1

- 12GG** Spokes 2
- 12HH** Tweezers
- LP** 5 screws (1.5x3mm)
- TP** 4 screws (1.5x5mm)
- UP** 4 screws (1.7x4mm)

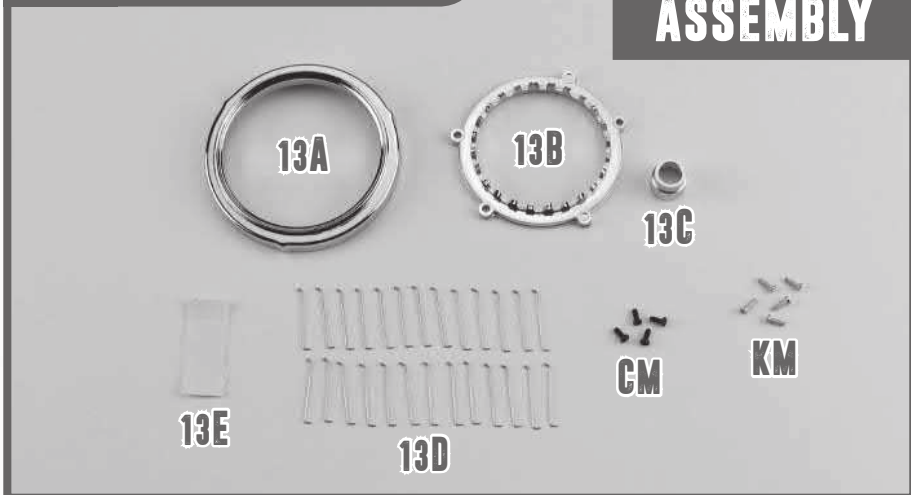




13 PARTS LIST

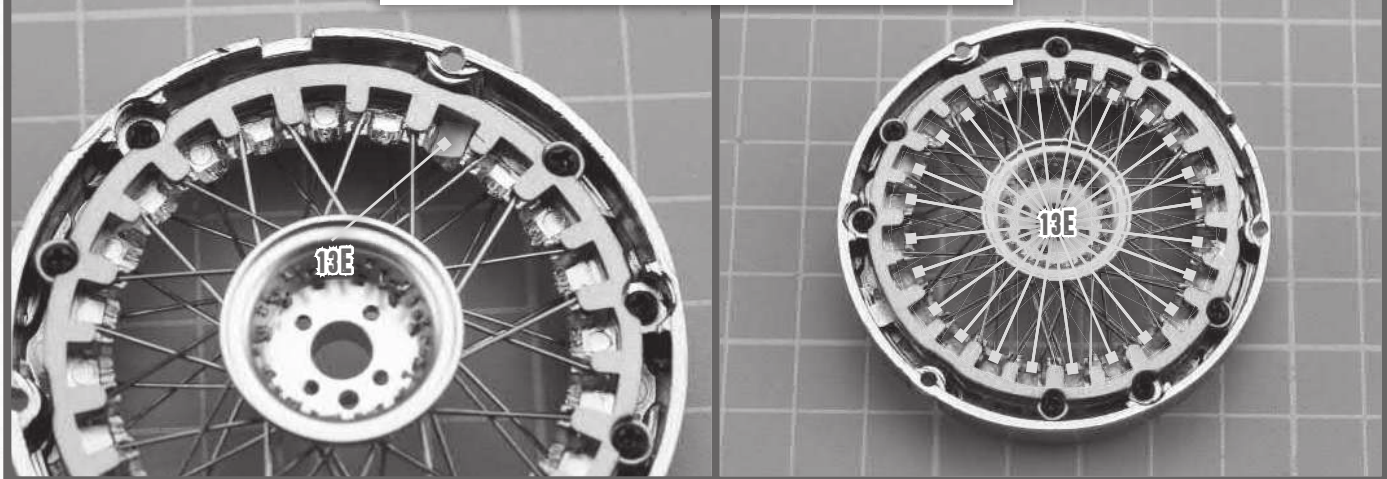
REGULAR ASSEMBLY

- 13A** Inner rim
- 13B** Central ring 3
- 13C** Hub 2
- 13D** Spokes 3
- 13E** Double-sided tape
- CM** 4 screws (1.7x4mm)
- KM** 5 screws (1.5x5mm)

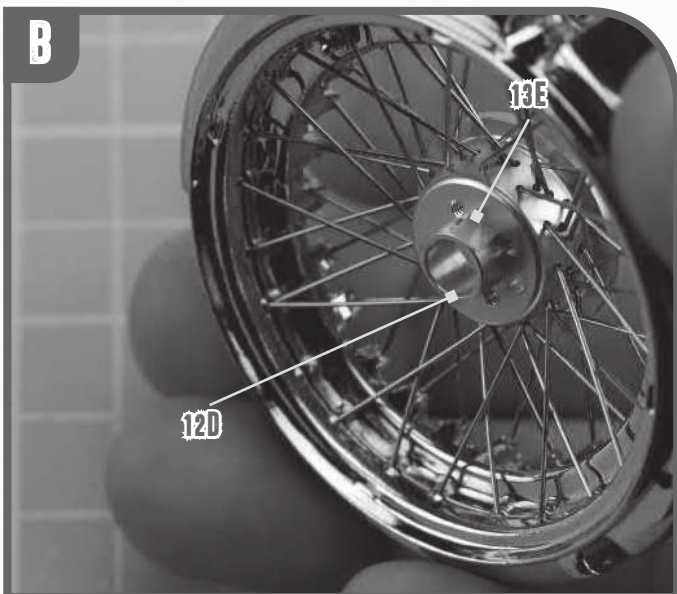


A

Apply 24 pieces of double-sided tape 13E to 12B's inner profile and tear off their top sheets.

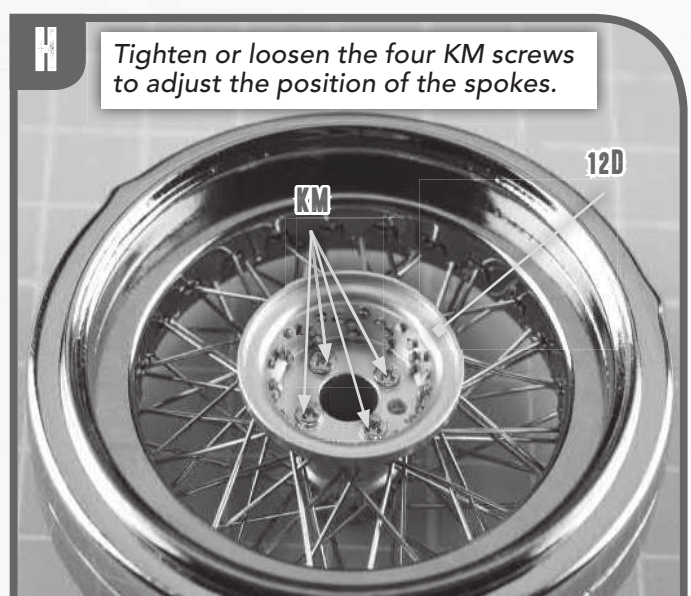
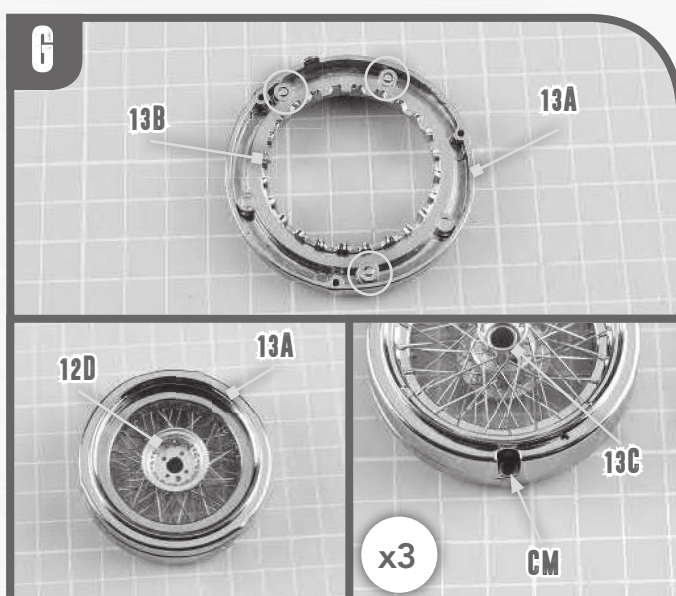
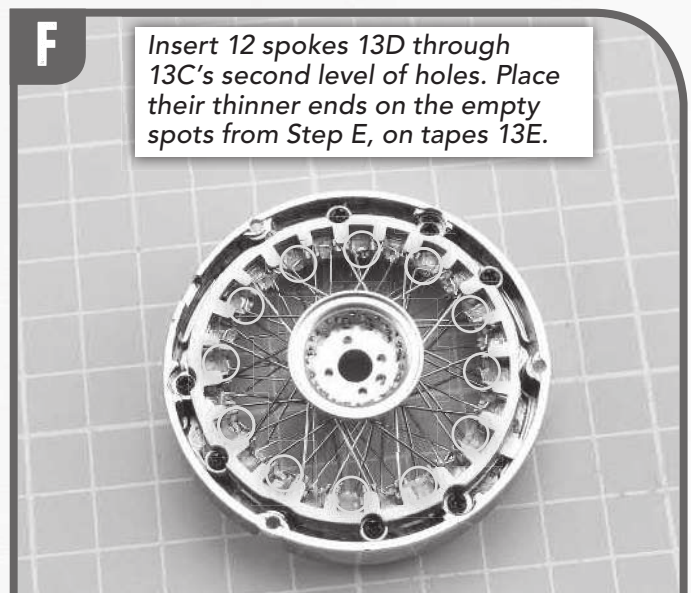
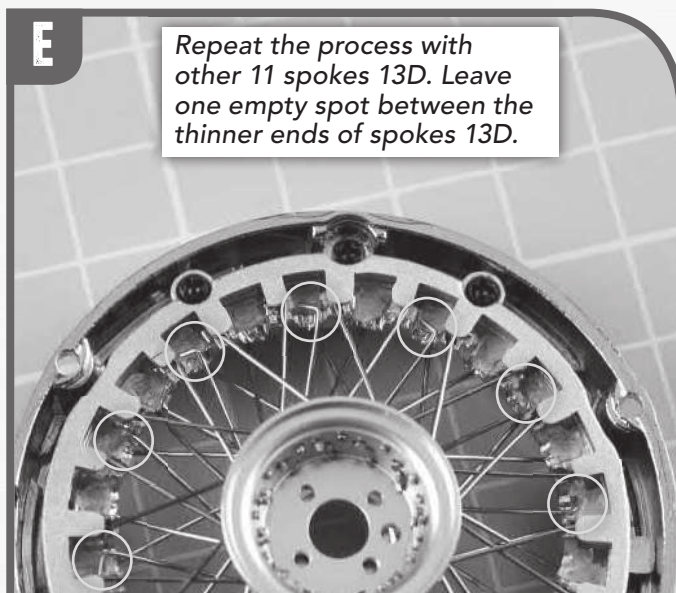
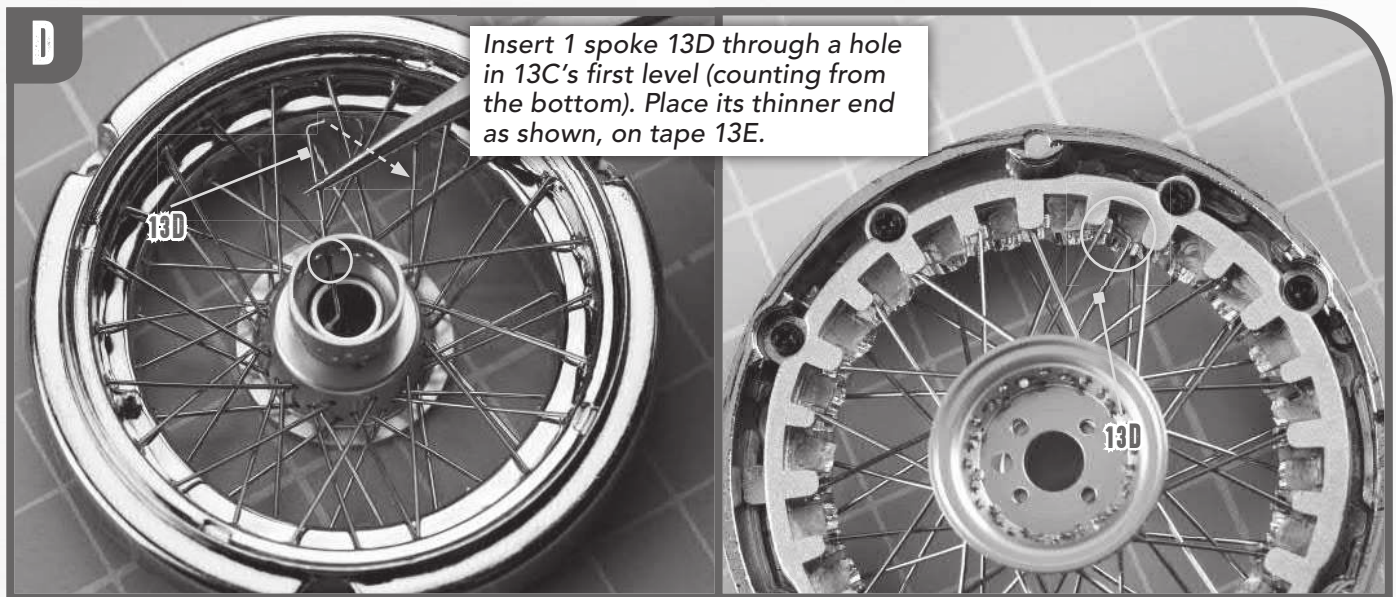


B



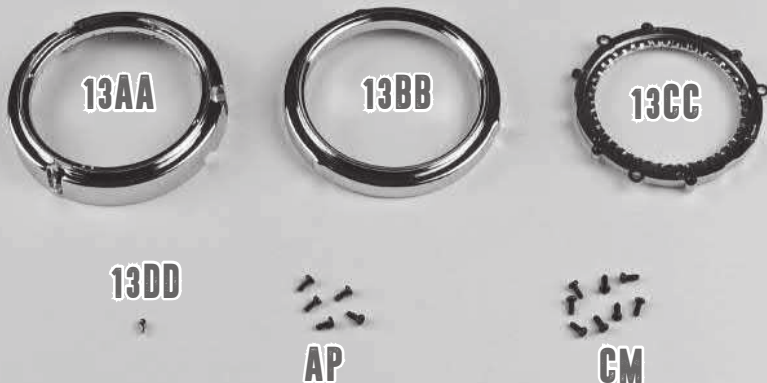
C



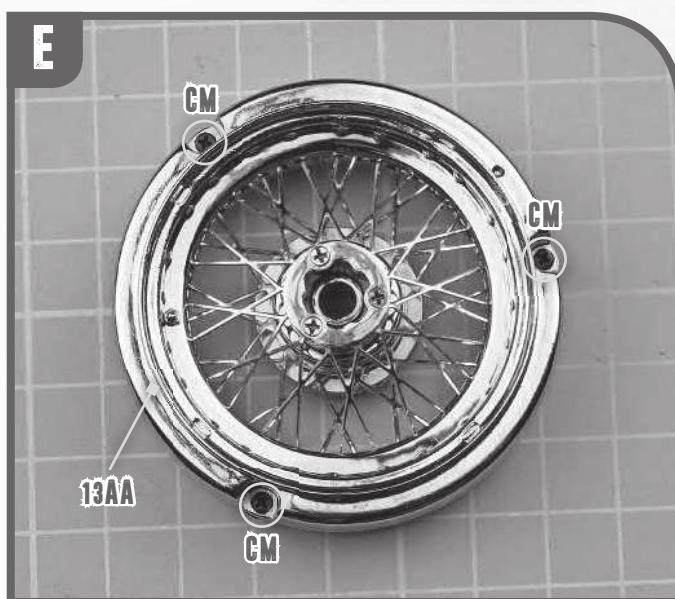
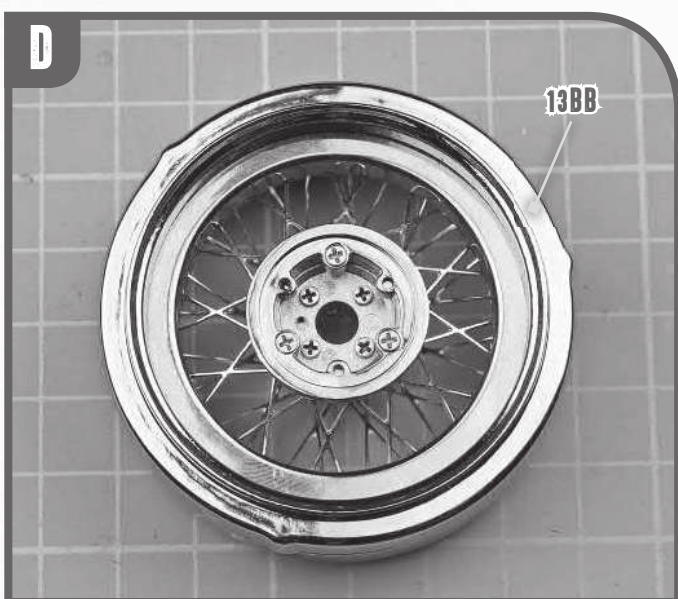
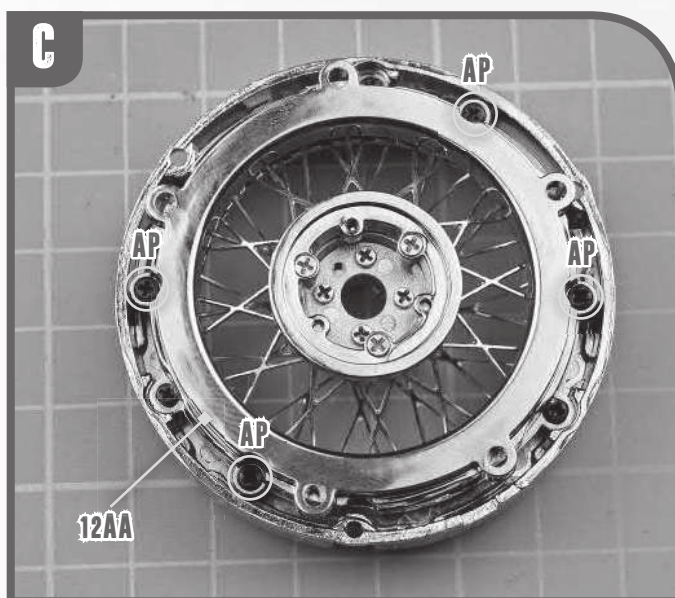
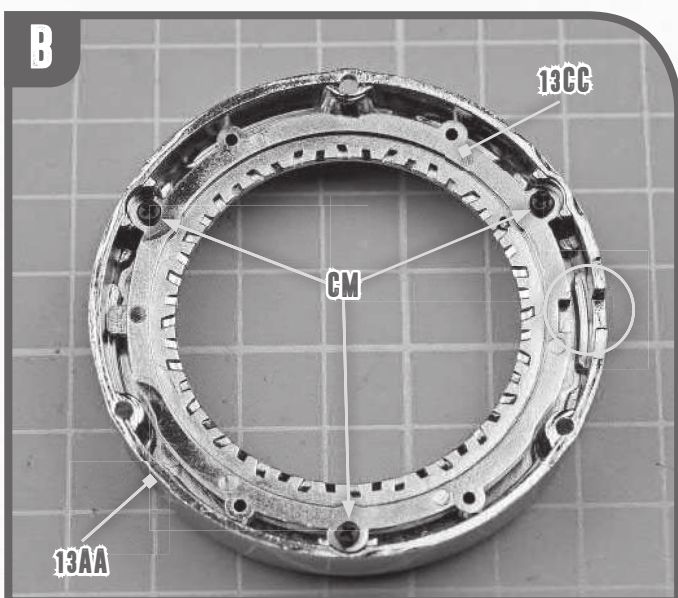


13B PARTS LIST

EASY ASSEMBLY



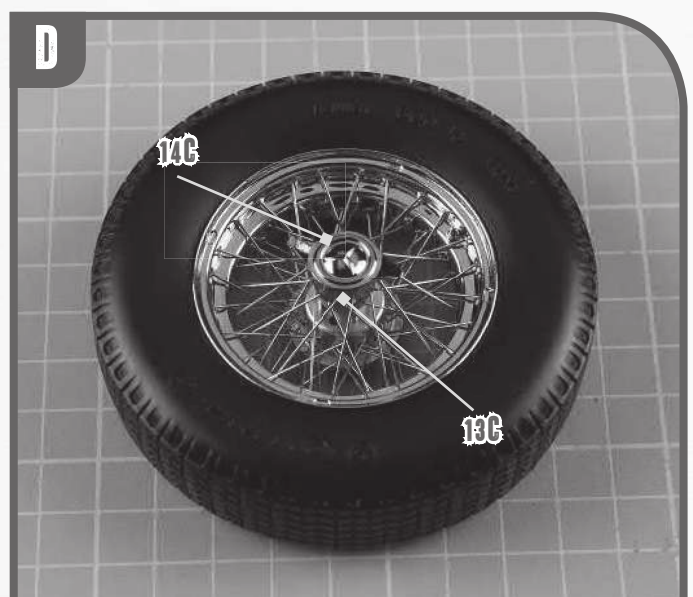
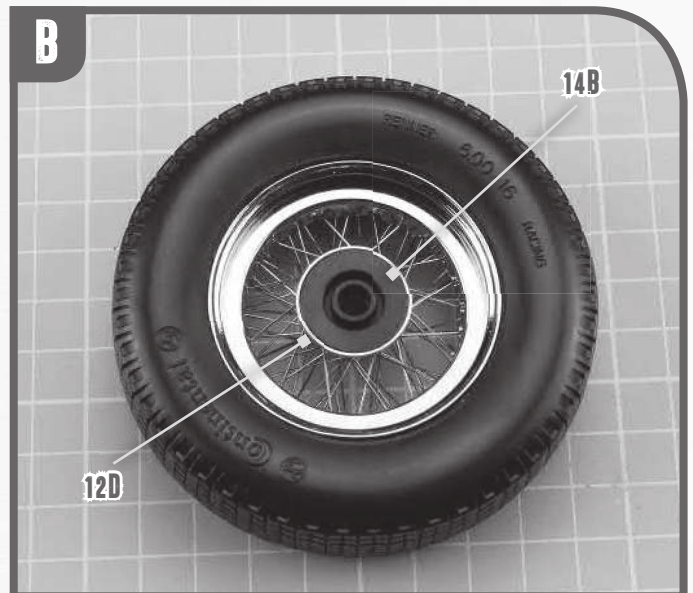
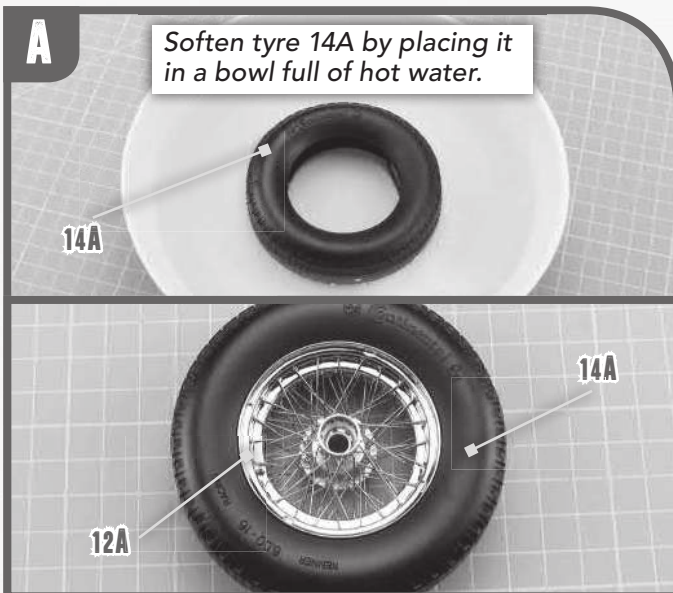
- 13AA** Outer rim
- 13BB** Inner rim
- 13CC** Central ring 2
- 13DD** Inflation valve
- AP** 5 screws (1.7x4mm)
- CM** 8 screws (1.7x4mm)



14 PARTS LIST

REGULAR ASSEMBLY

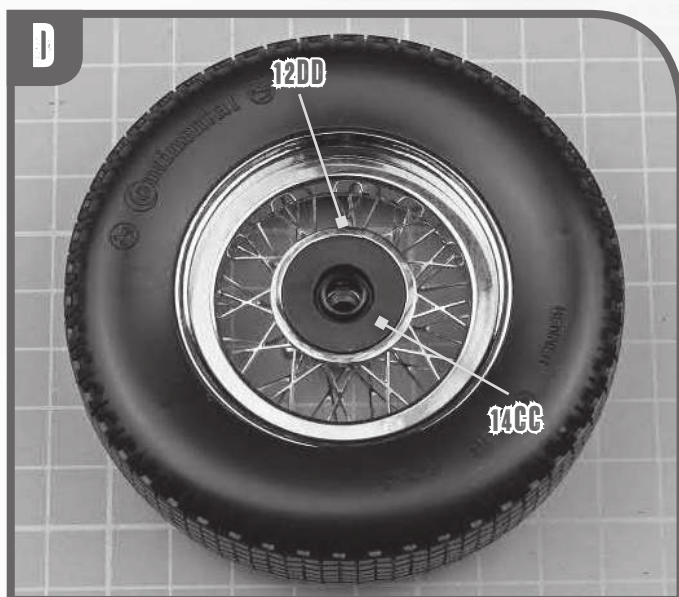
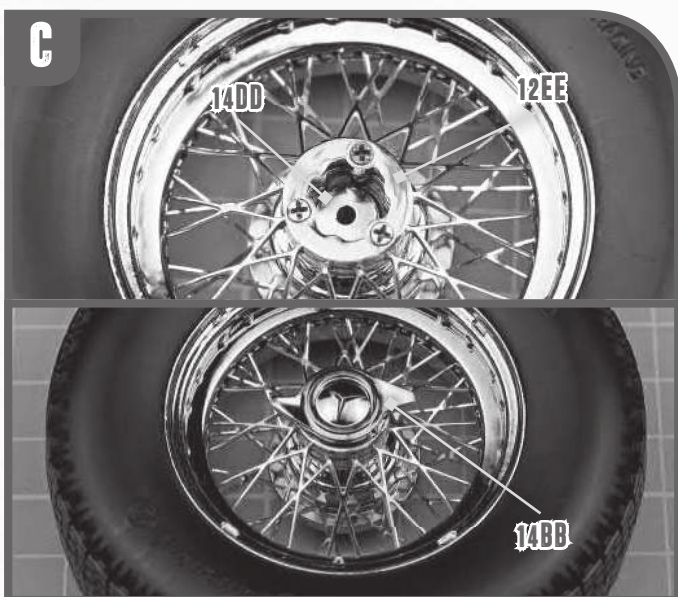
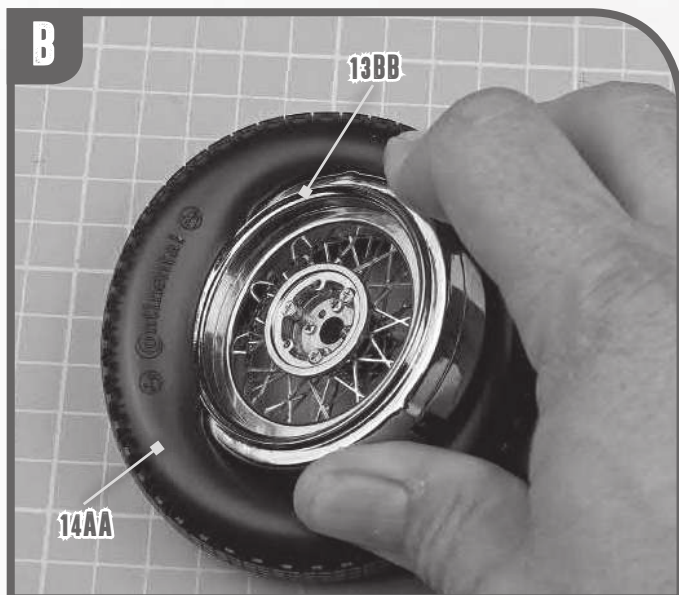
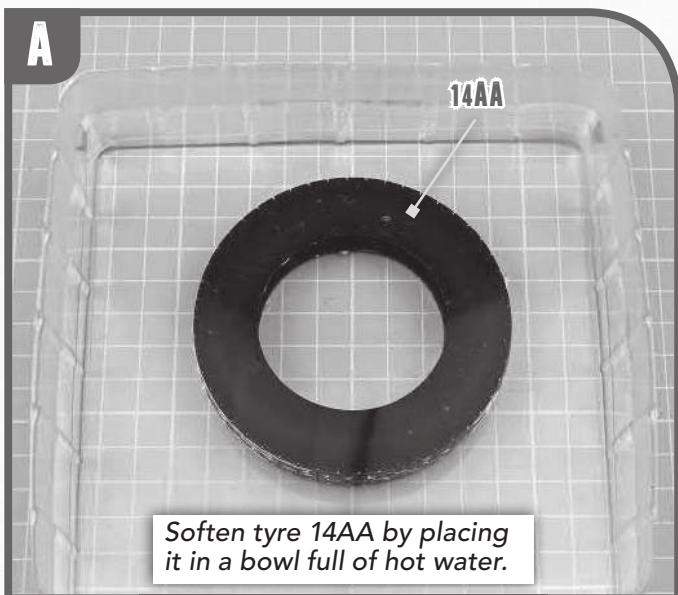
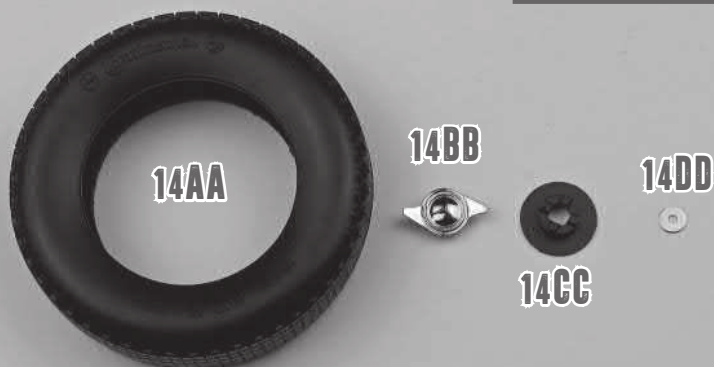
- 14A Tyre
- 14B Hub 3
- 14C Hubcap
- 14D Washer ring



14B PARTS LIST

EASY ASSEMBLY

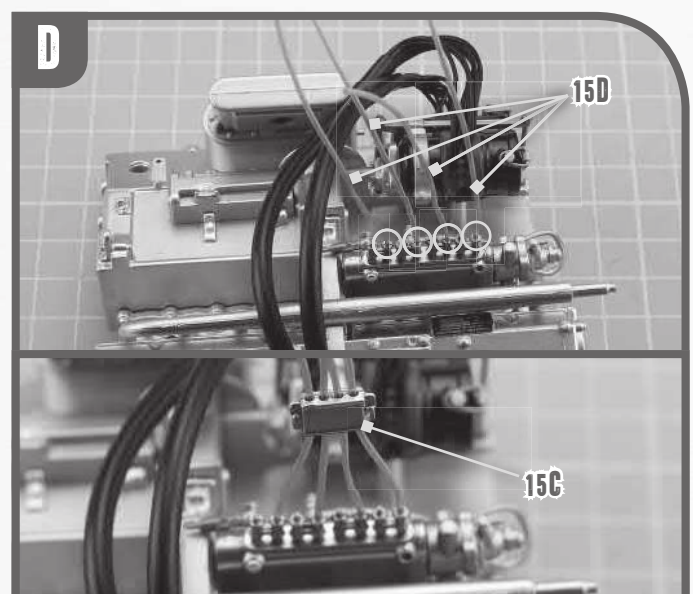
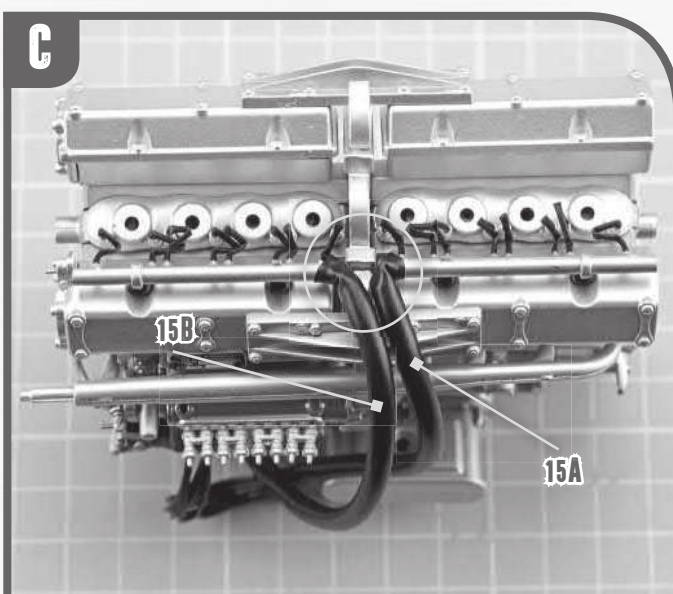
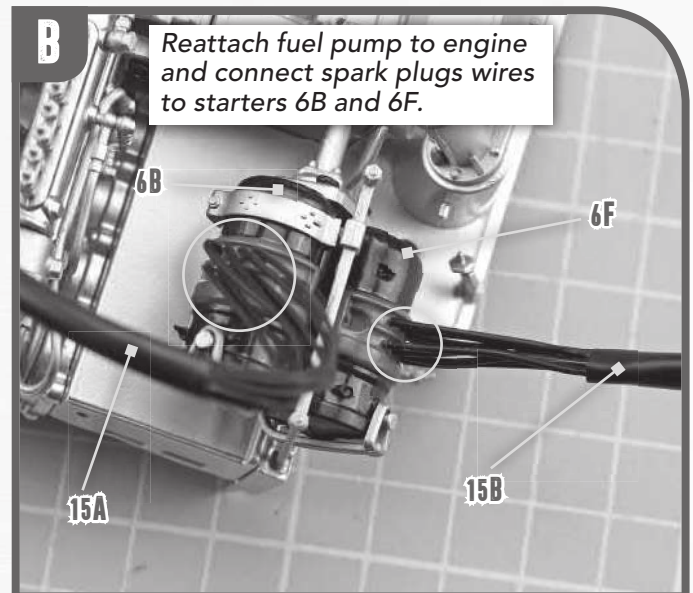
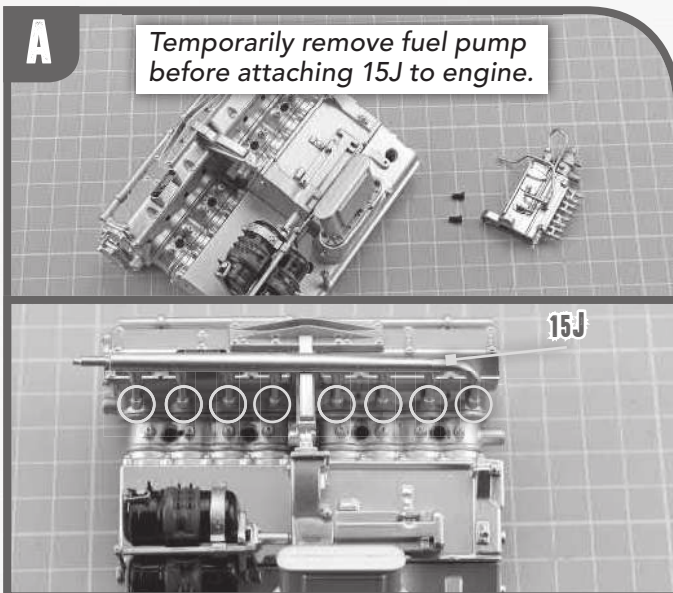
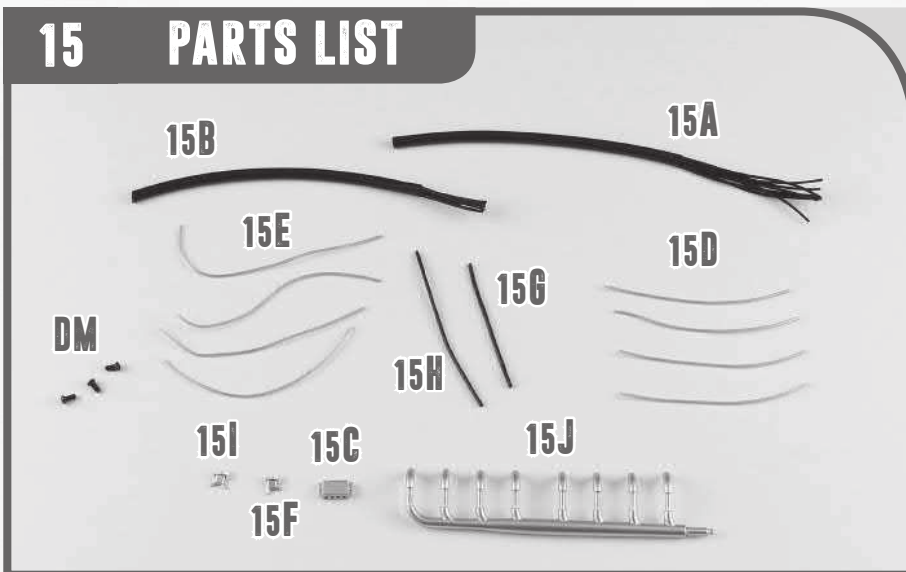
- 14AA Tyre
- 14BB Hubcap
- 14CC Hub 5
- 14DD Washer ring



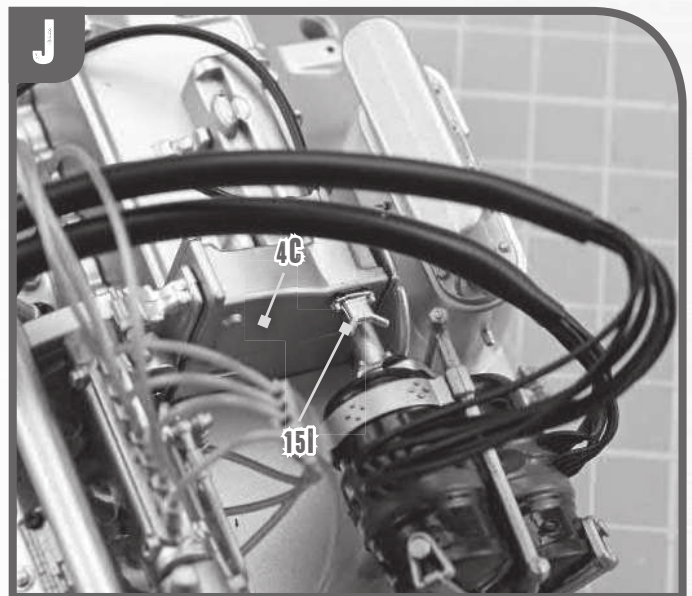
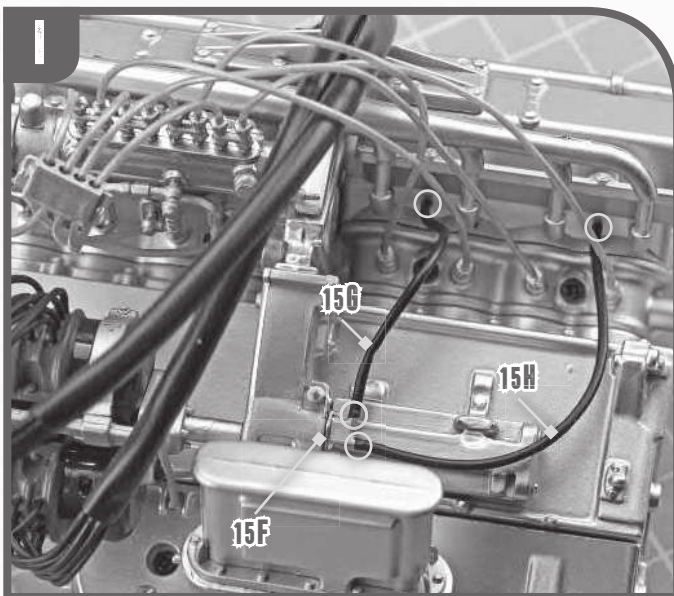
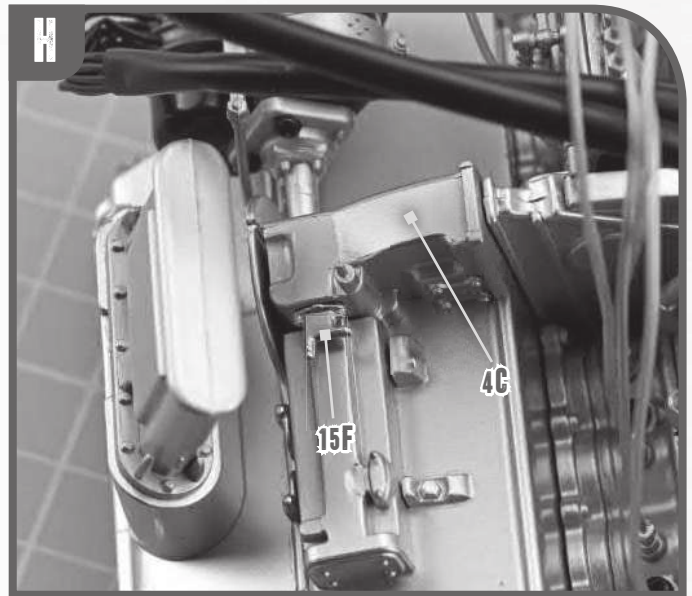
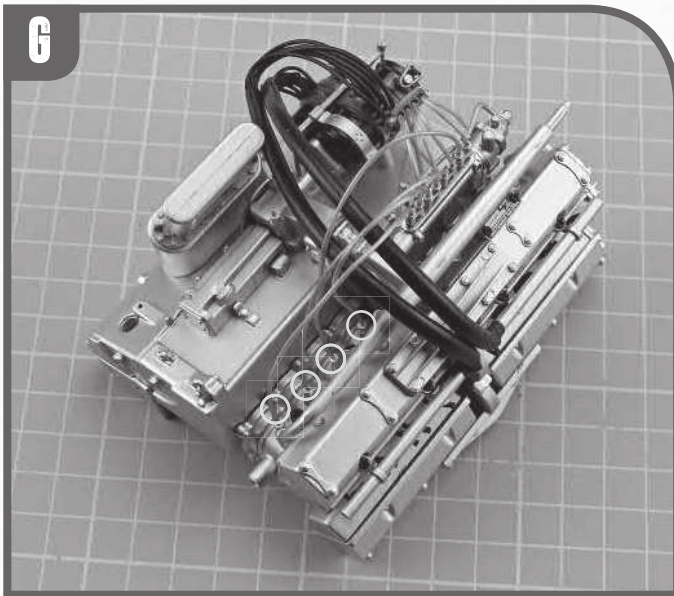
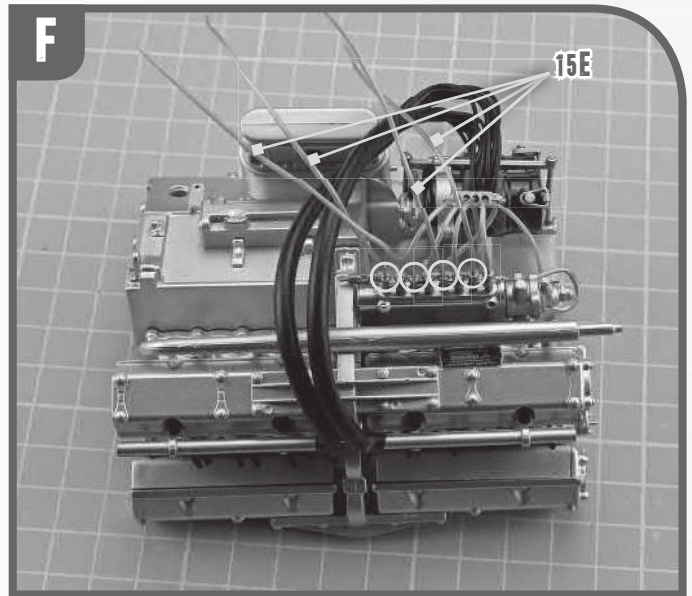
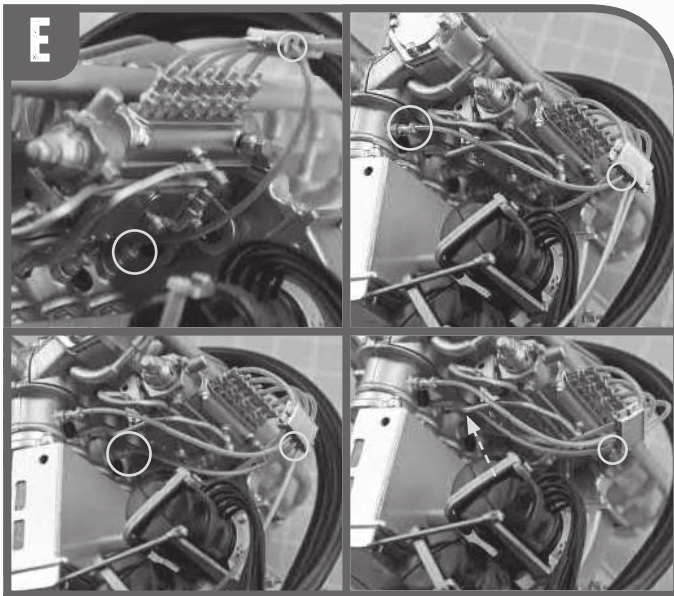
15 PARTS LIST

- 15A** Spark plugs wire 1
- 15B** Spark plugs wire 2
- 15C** Fuel lines fairlead
- 15D** Fuel lines 1 (x4)
- 15E** Fuel lines 2 (x4)
- 15F** Oil hoses connector 1
- 15G** Oil hose 1
- 15H** Oil hose 2
- 15I** Oil hoses connector 2
- 15J** Engine cooling duct

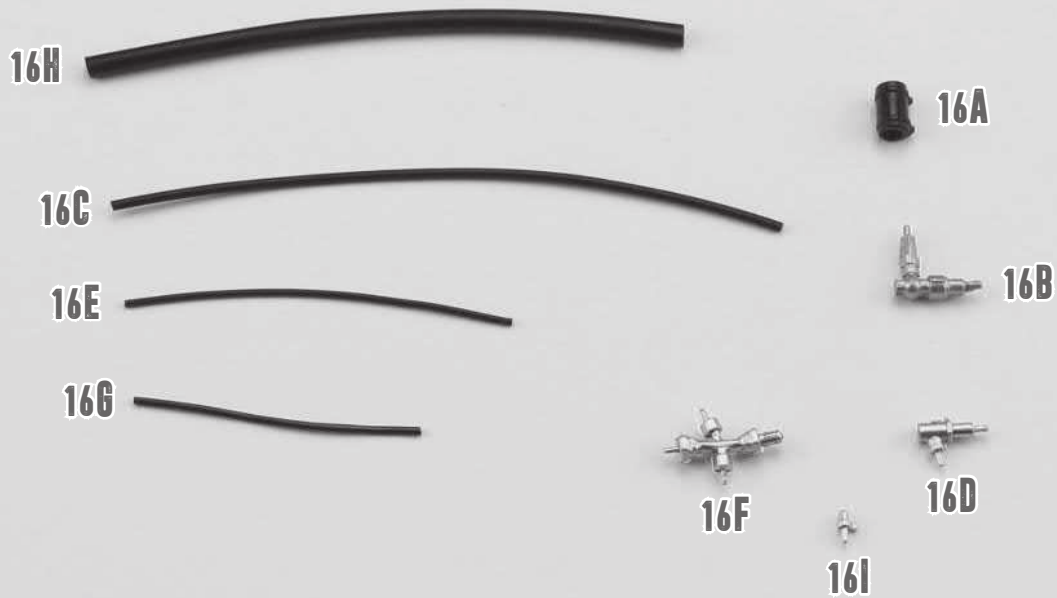
- DM** 3 screws (2x4mm)



stepbystep #15



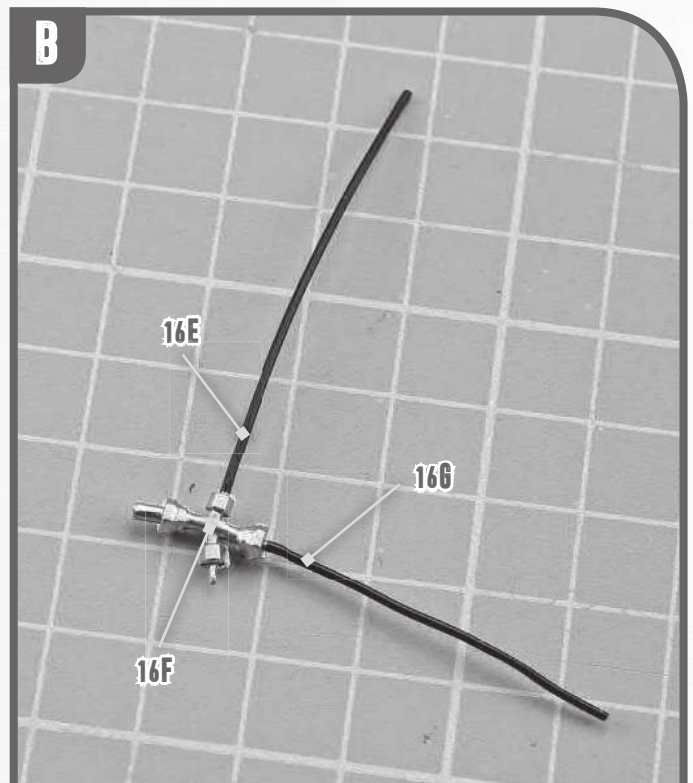
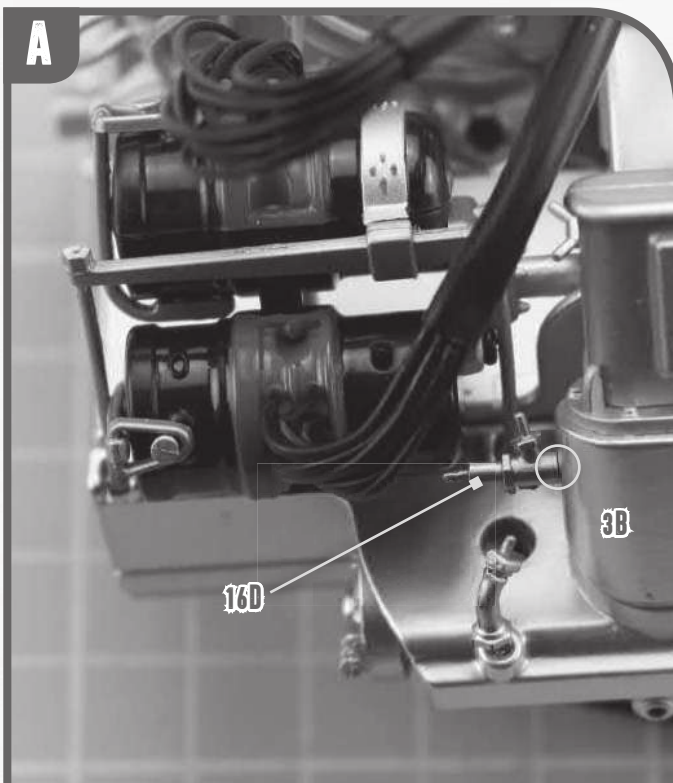
16 PARTS LIST



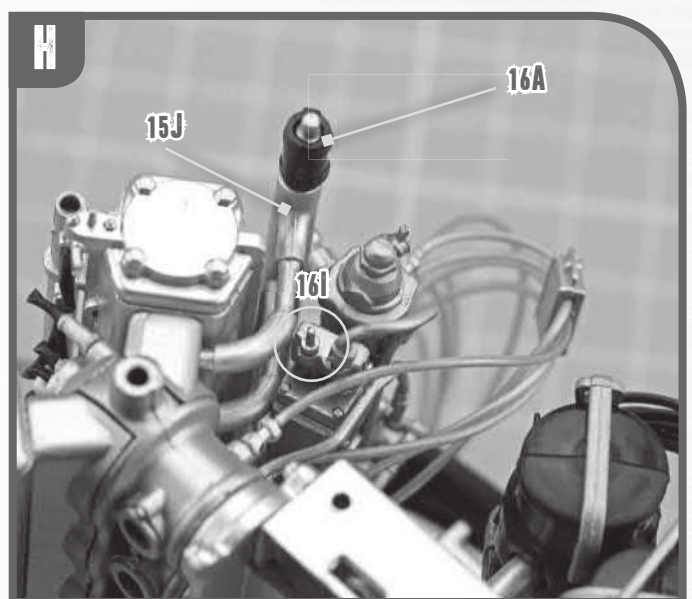
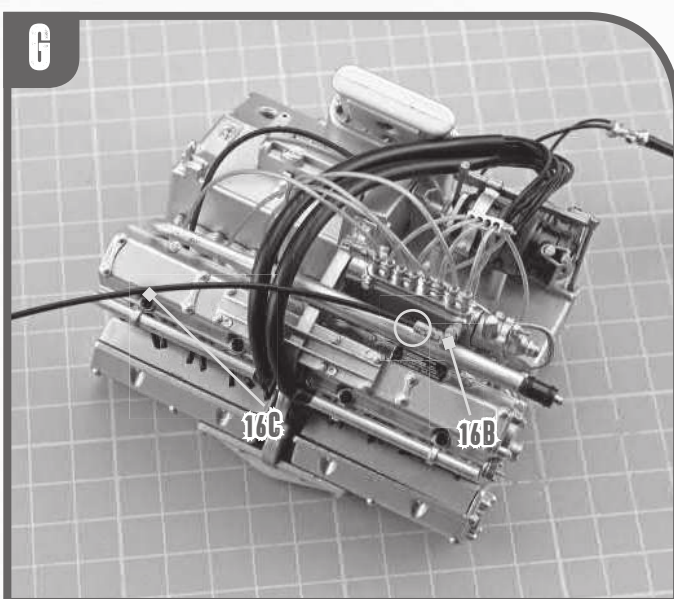
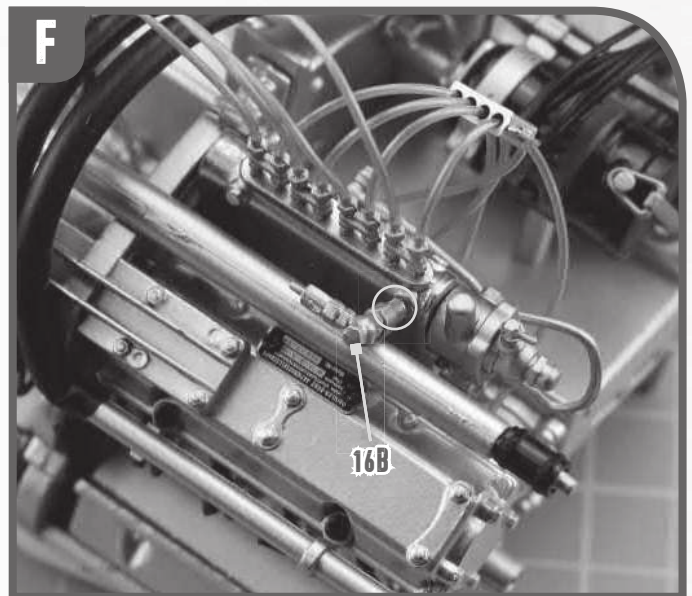
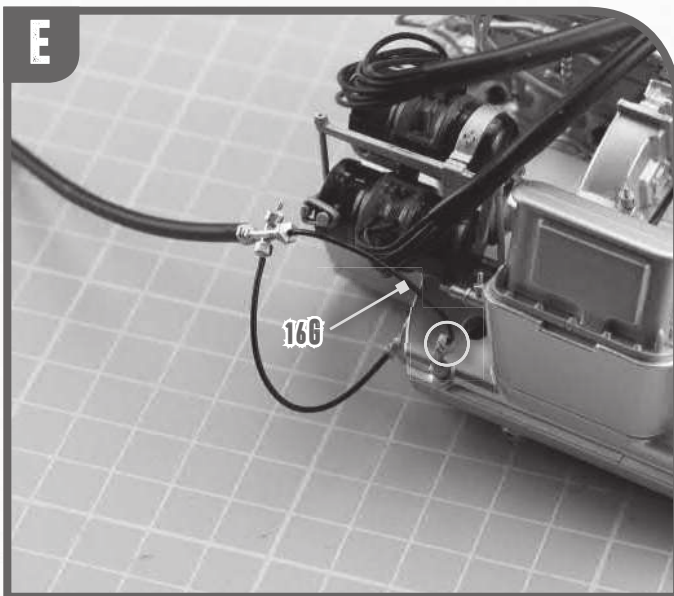
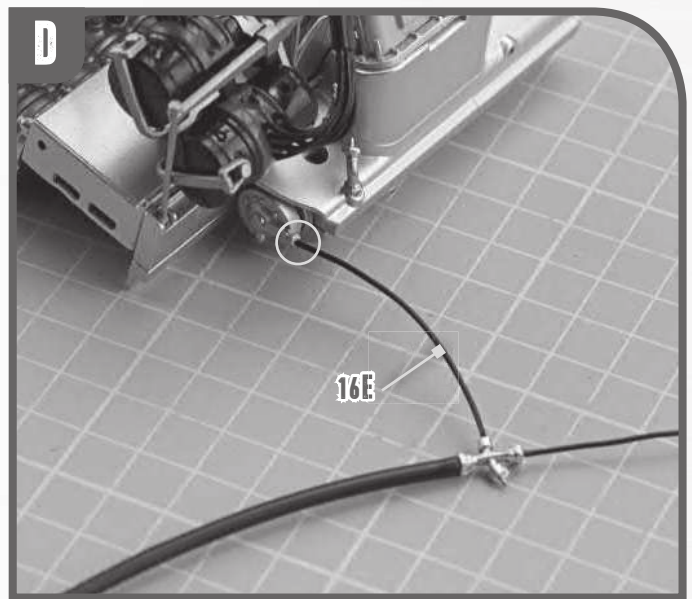
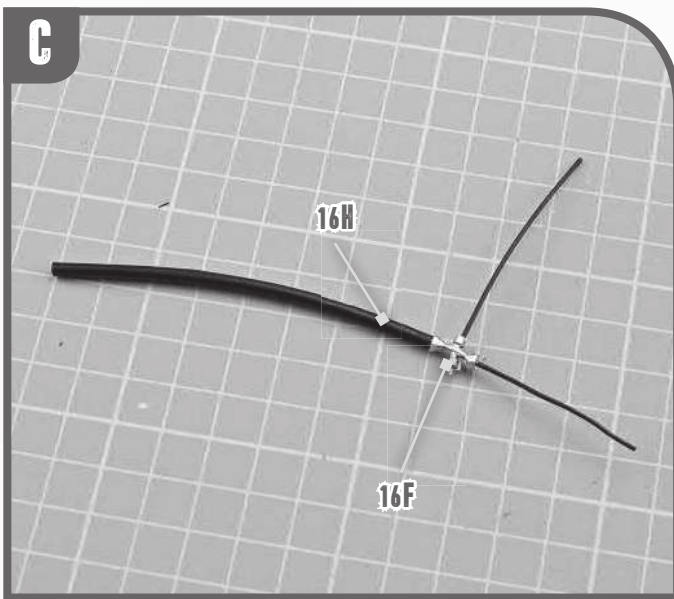
16A Expansion tank connector
16B Fuel pump connector
16C Fuel pump line

16D Oil hoses connector 3
16E Oil hose 3
16F Oil hoses connector 4

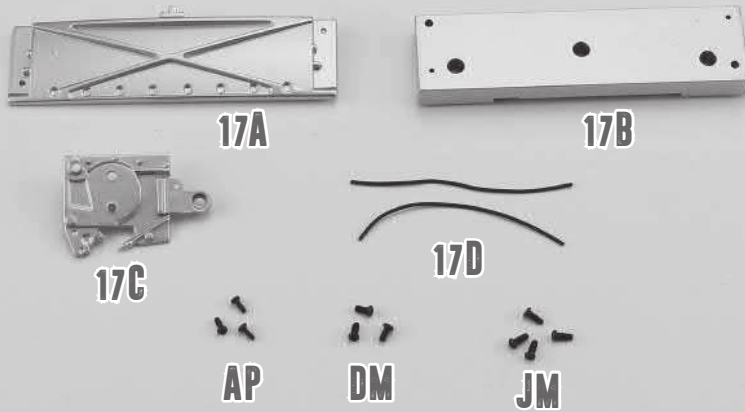
16G Oil hose 4
16H Oil hose 5
16I Detail



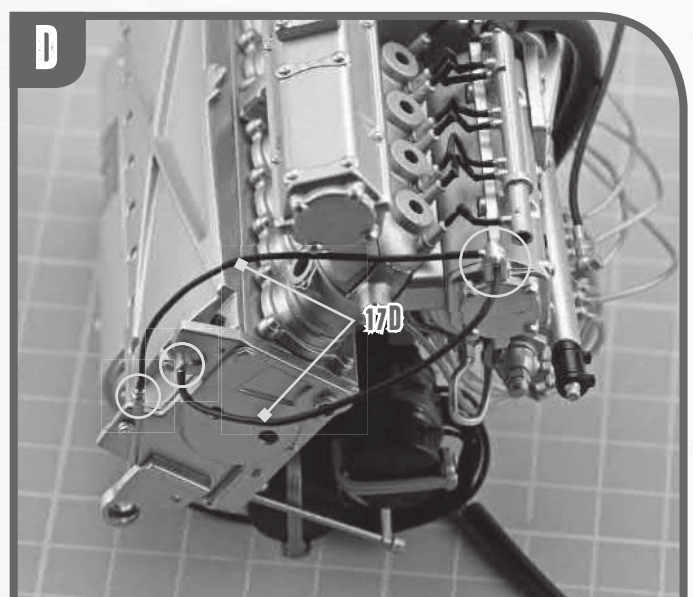
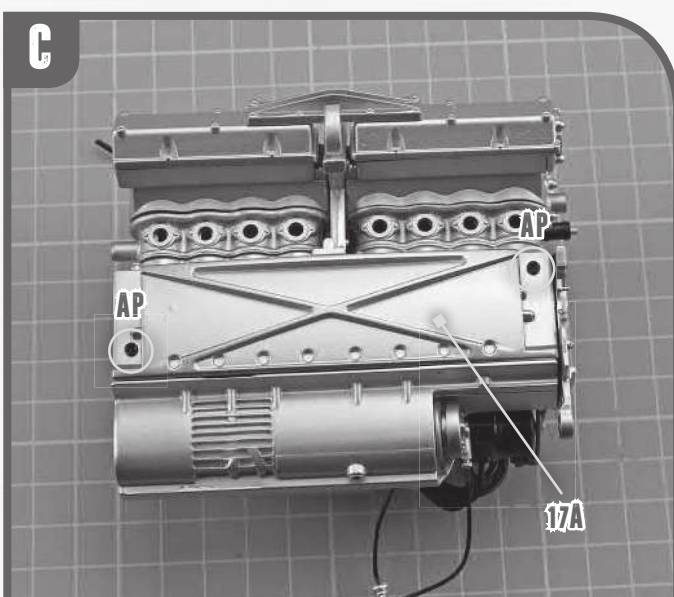
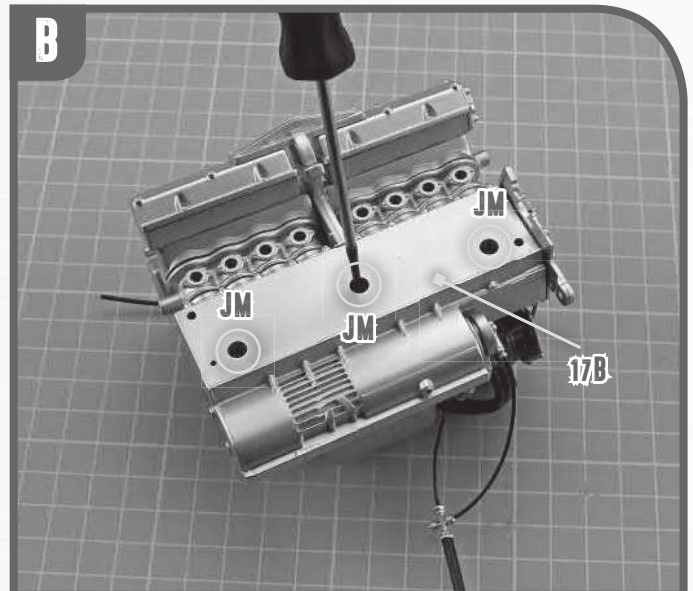
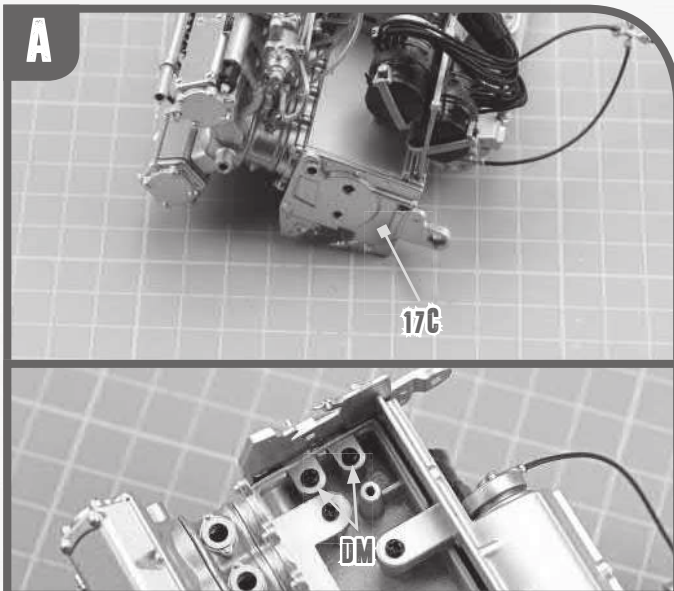
stepbystep #16



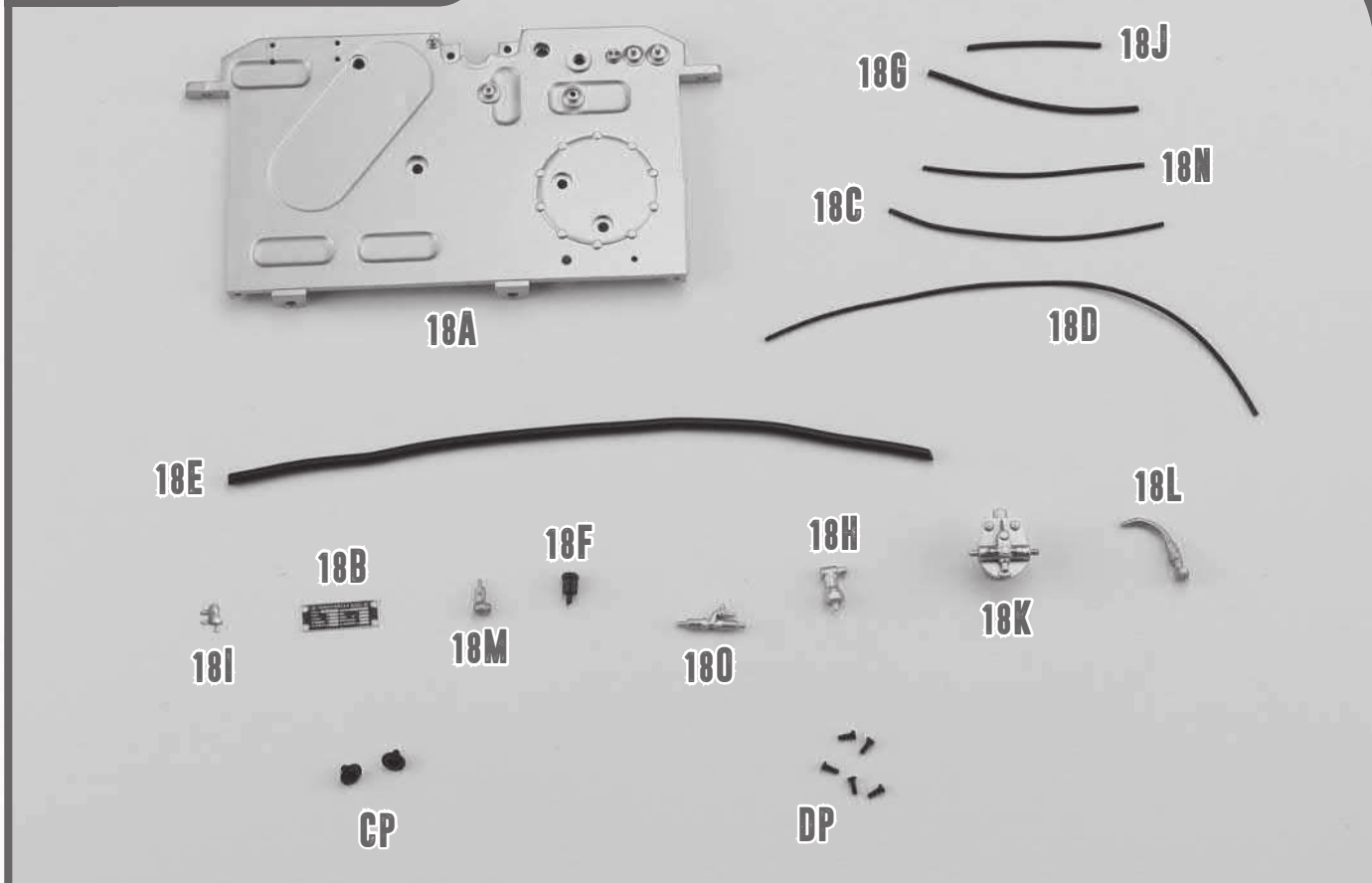
17 PARTS LIST



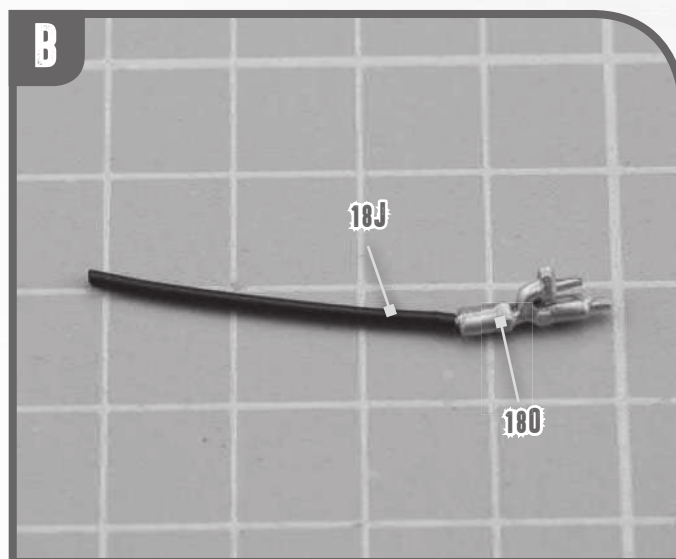
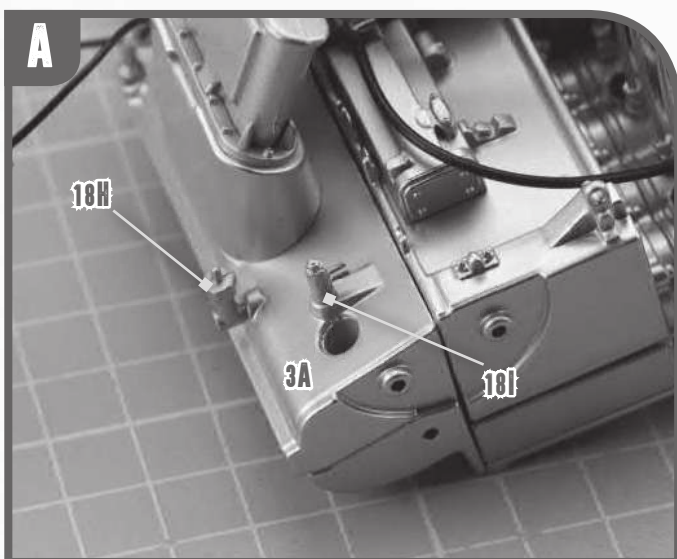
- 17A** Engine side cover part A
- 17B** Engine side cover part B
- 17C** Engine front cover
- 17D** Oil hoses 6 (x2)
- AP** 3 screws (1.7x4mm)
- DM** 3 screws (2x4mm)
- JM** 4 screws (2x5mm)

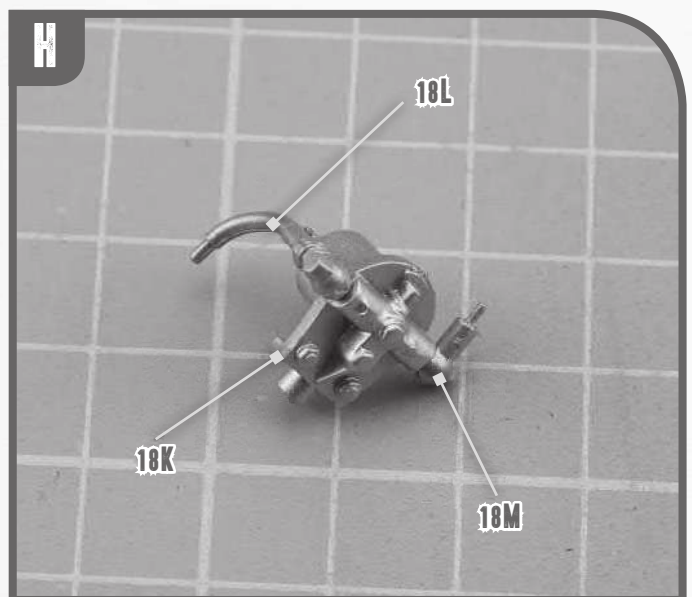
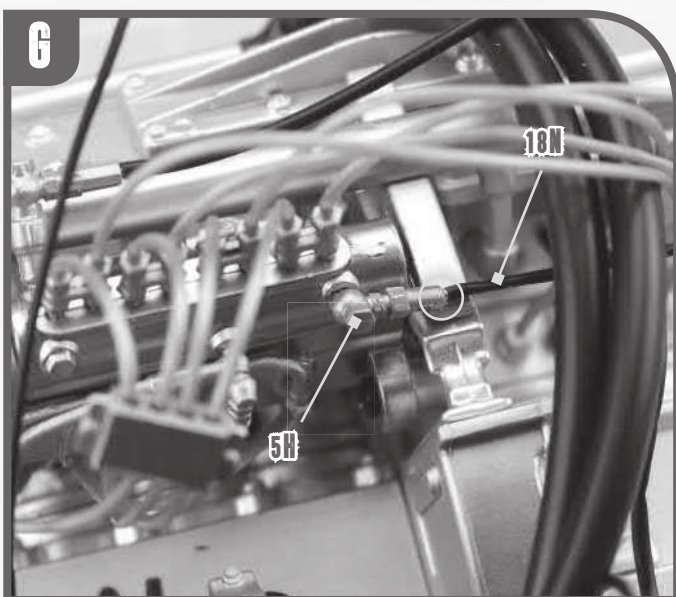
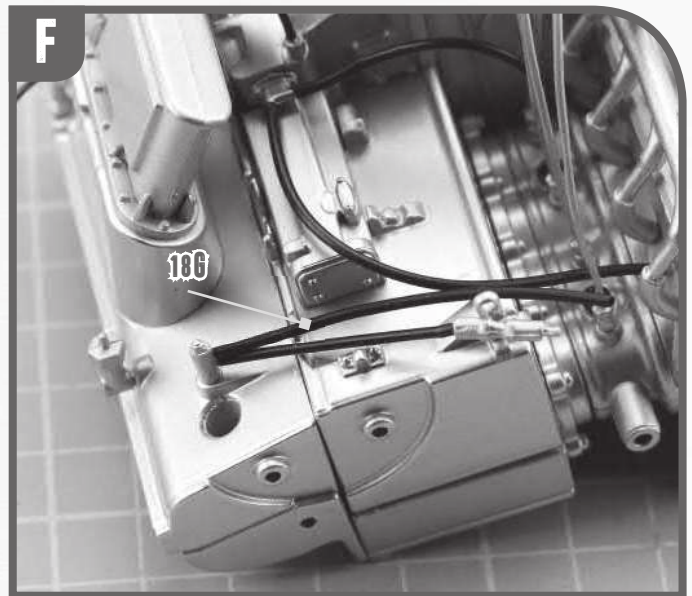
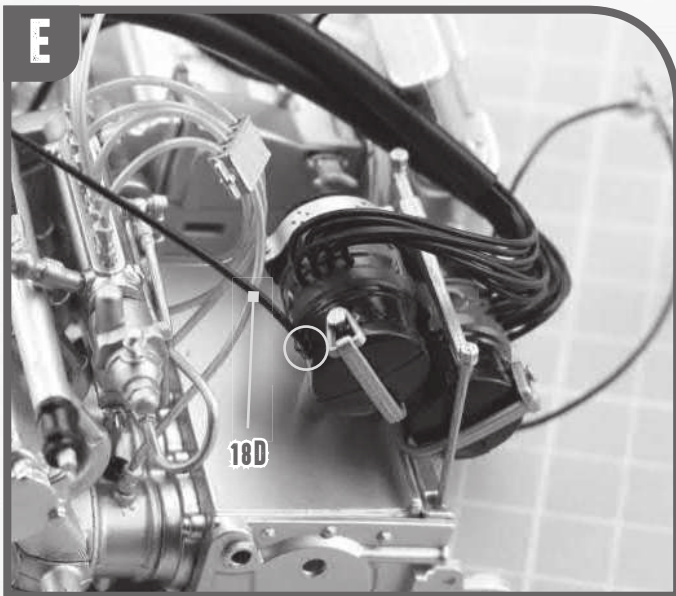
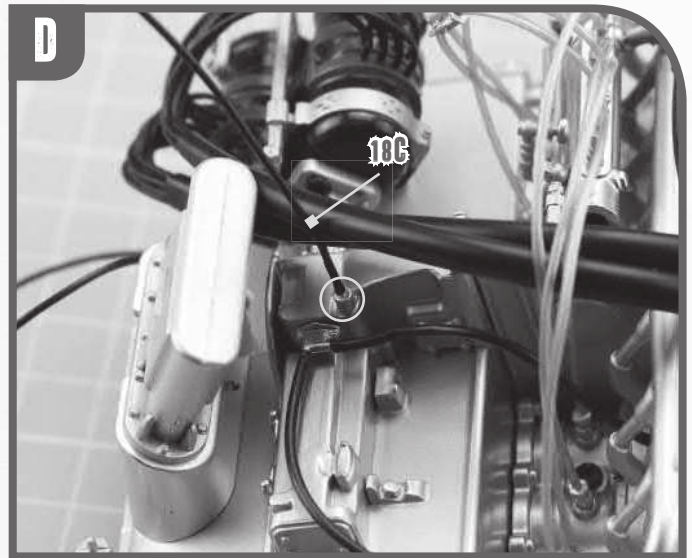
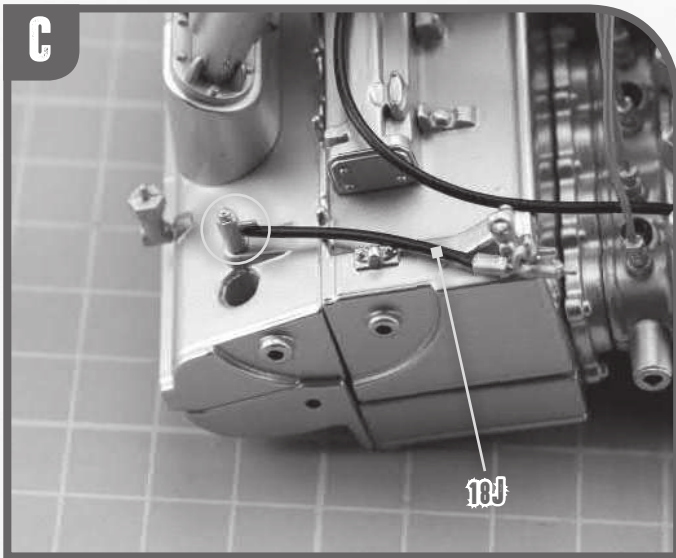


18 PARTS LIST

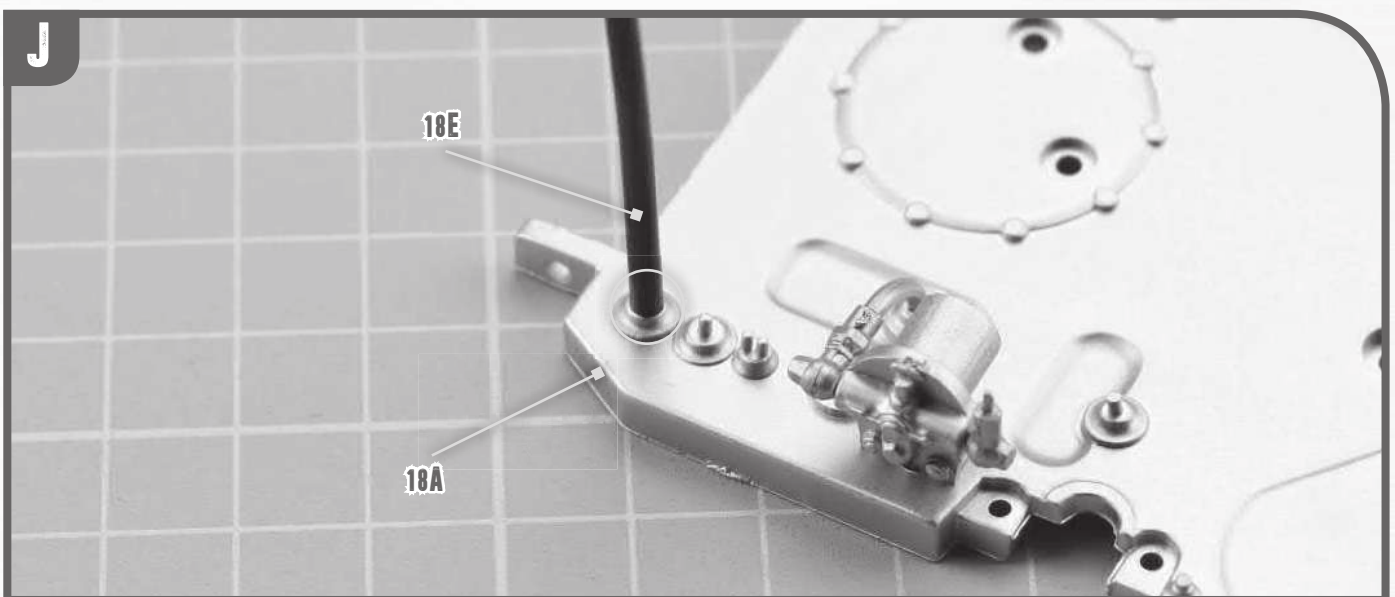
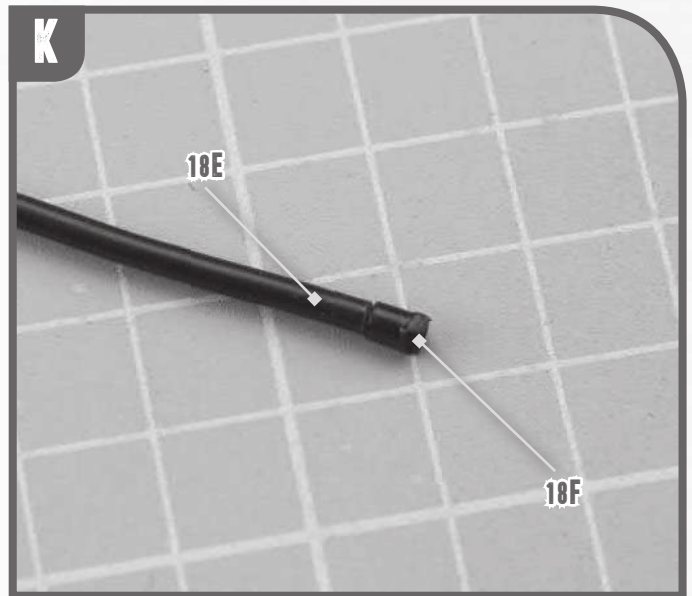
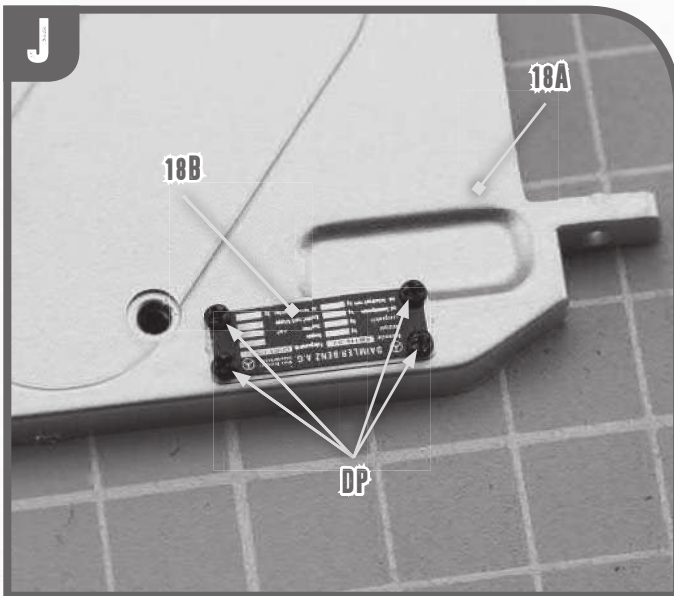
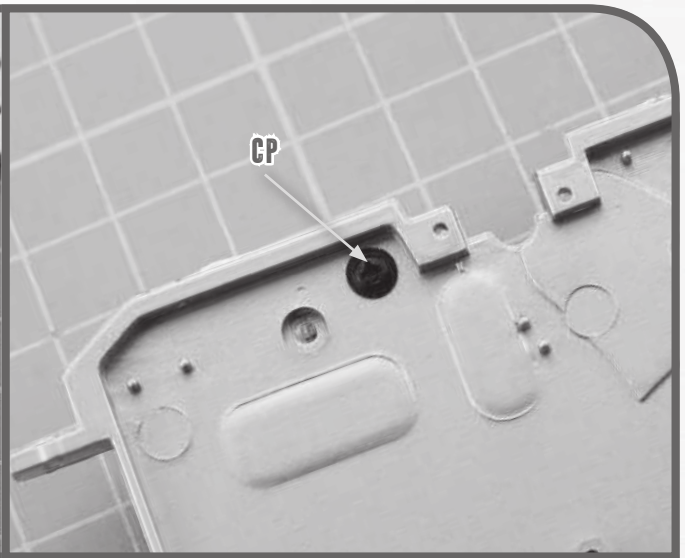
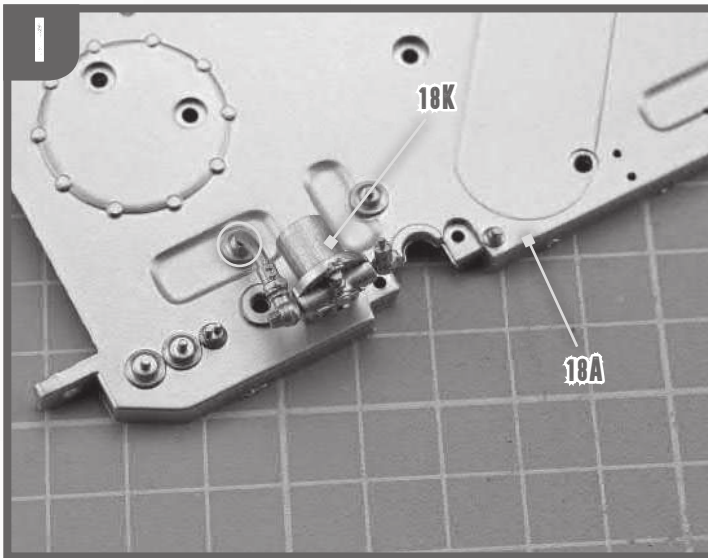


- | | | |
|-----------------------------------|----------------------------------|-----------------------------------|
| 18A Firewall | 18G Oil hose 8 | 18M Fuel lines connector 1 |
| 18B Plate | 18H Oil hoses connector 5 | 18N Fuel line 4 |
| 18C Oil hose 7 | 18I Oil hoses connector 6 | 18O Oil hoses connector 7 |
| 18D Starter wire | 18J Oil hose 9 | CP 2 screws (1.7x3x5mm) |
| 18E Oil radiator hose | 18K Fuel filter | DP 5 screws (1.2x3mm) |
| 18F Oil radiator connector | 18L Fuel line 3 | |



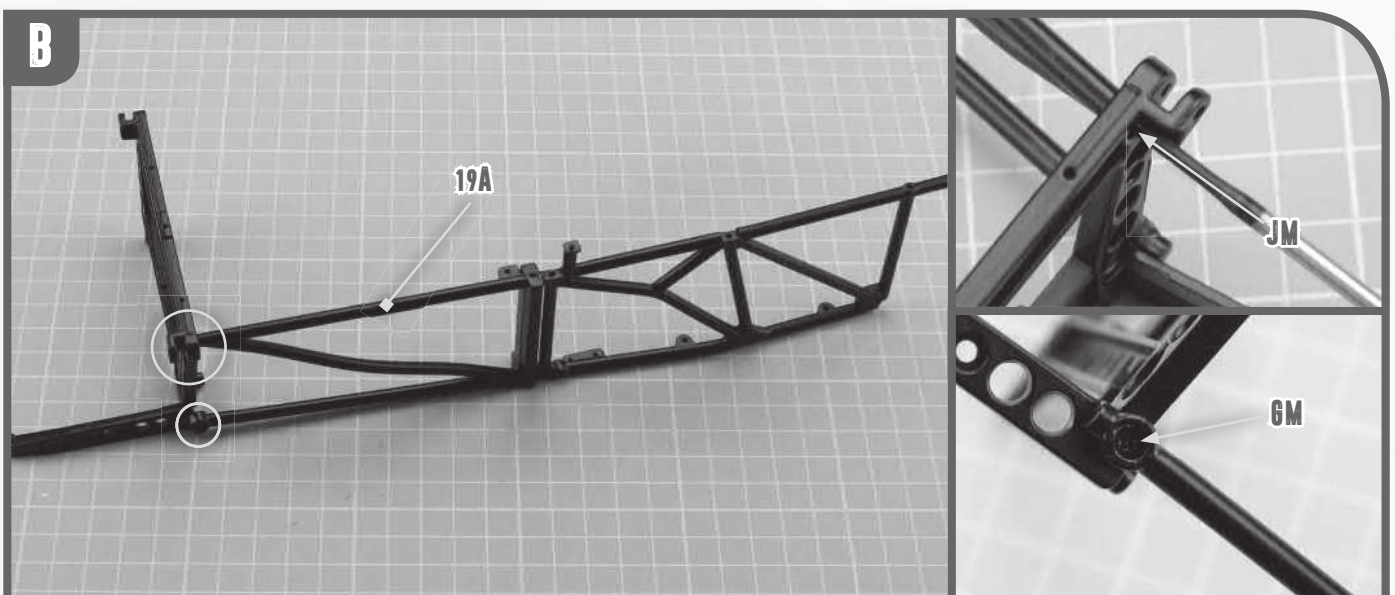
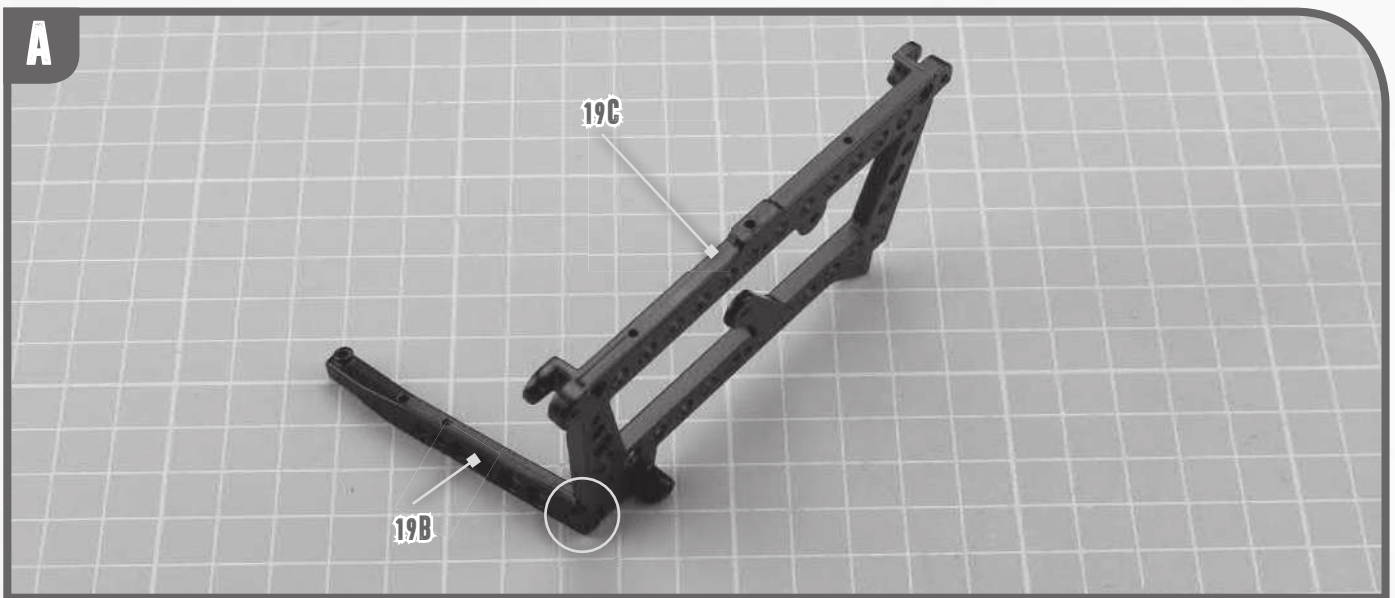
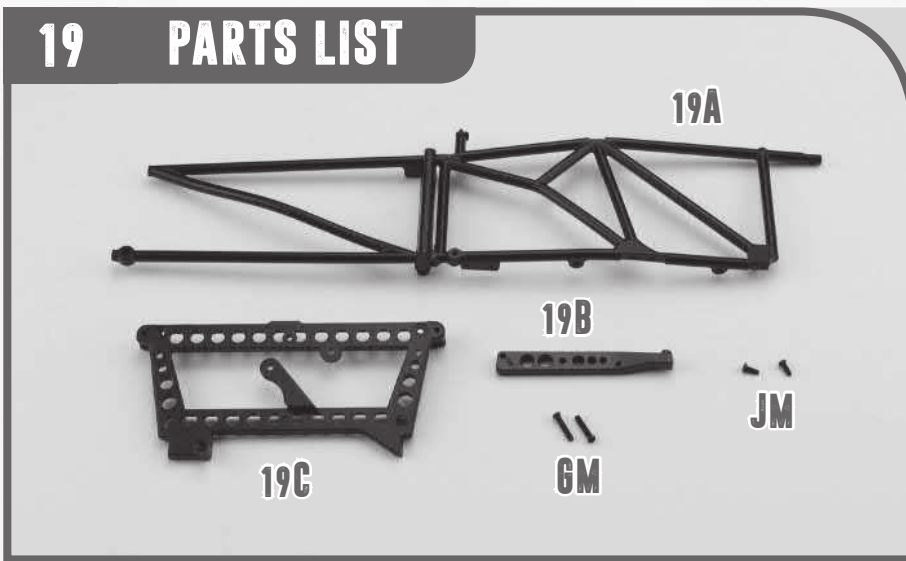


stepbystep #18

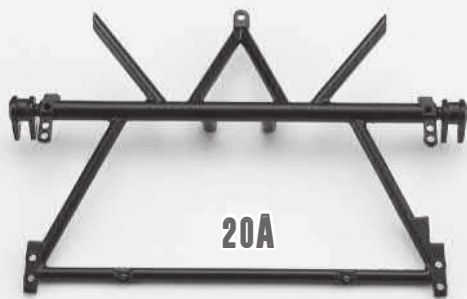


19 PARTS LIST

- 19A** Chassis – left section
- 19B** Radiator support (L)
- 19C** Front suspension support 1
- GM** 2 screws (2x10mm)
- JM** 2 screws (2x5mm)



20 PARTS LIST

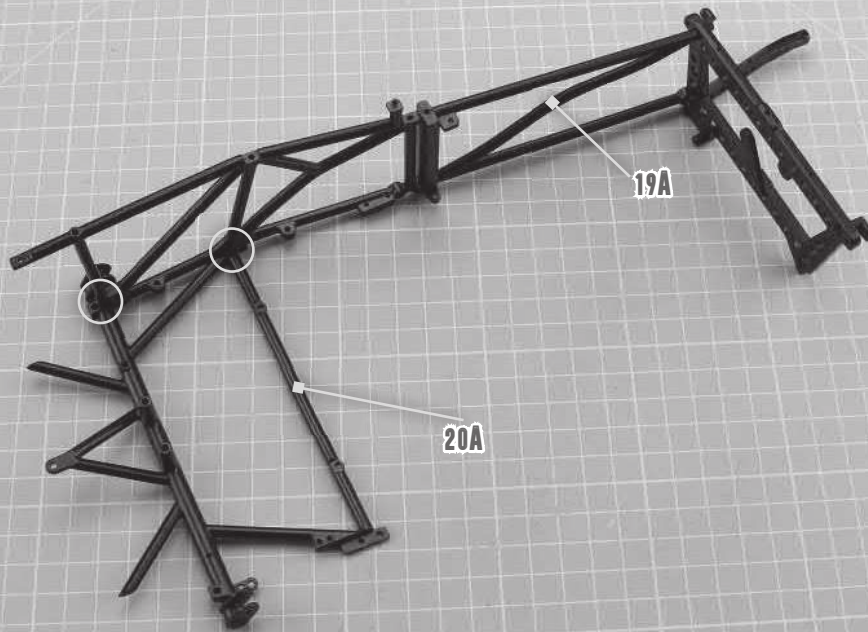


20A Rear axle support

DM 2 screws (2x4mm)

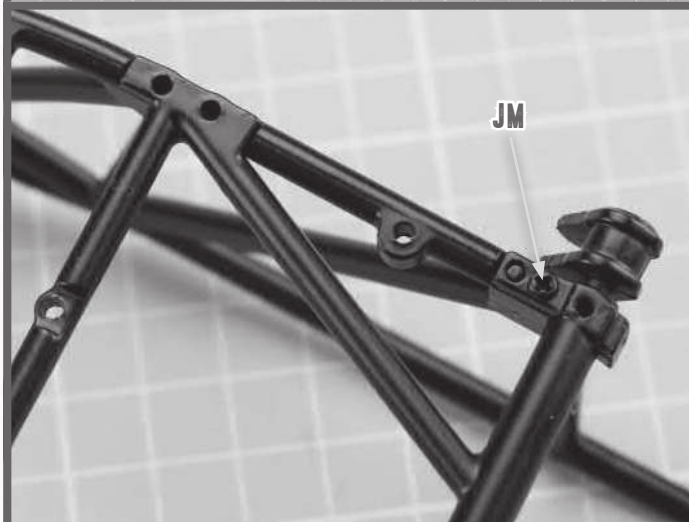
JM 3 screws (2x5mm)

A

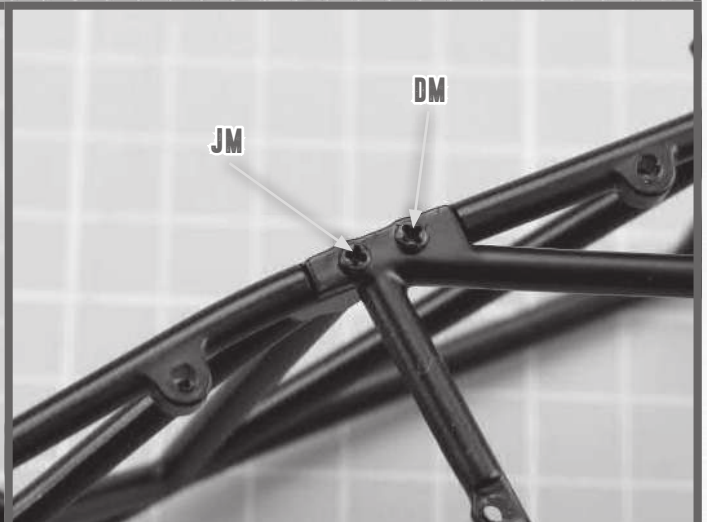


19A

20A



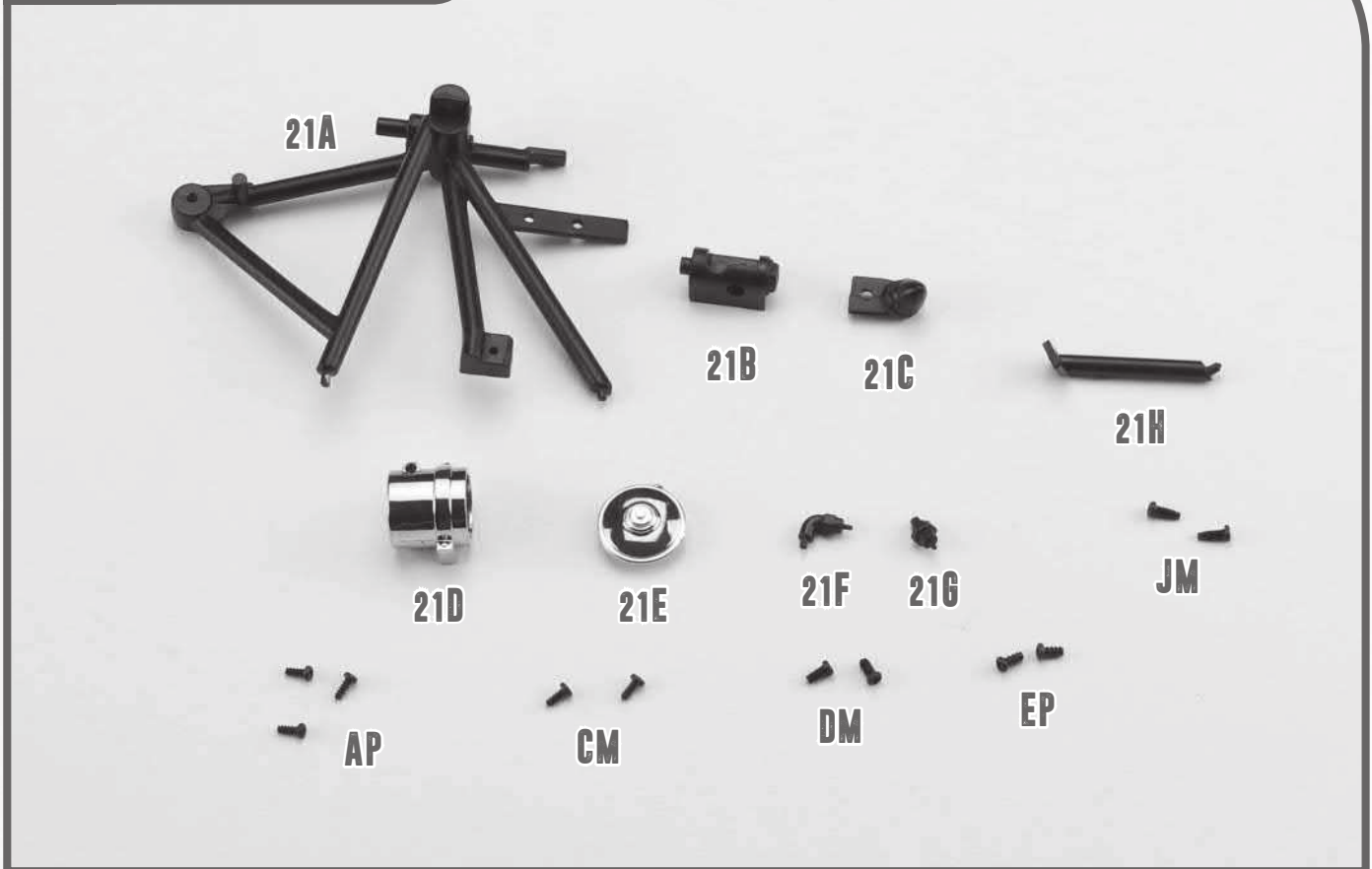
JM



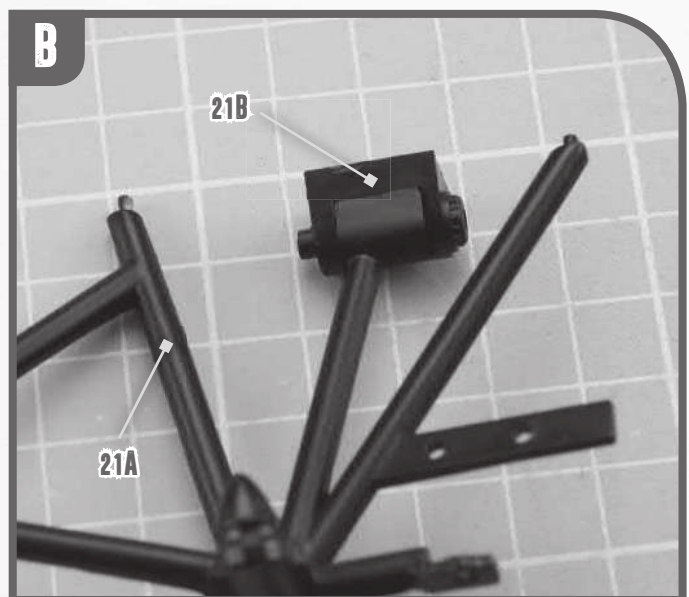
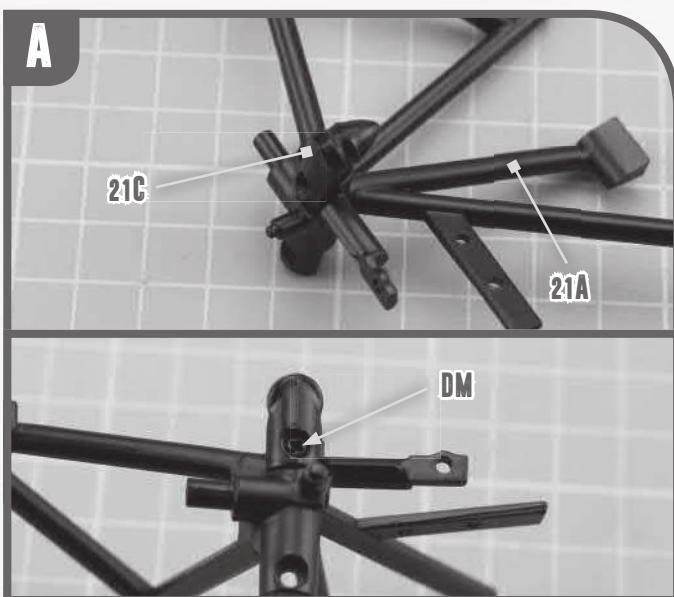
DM

JM

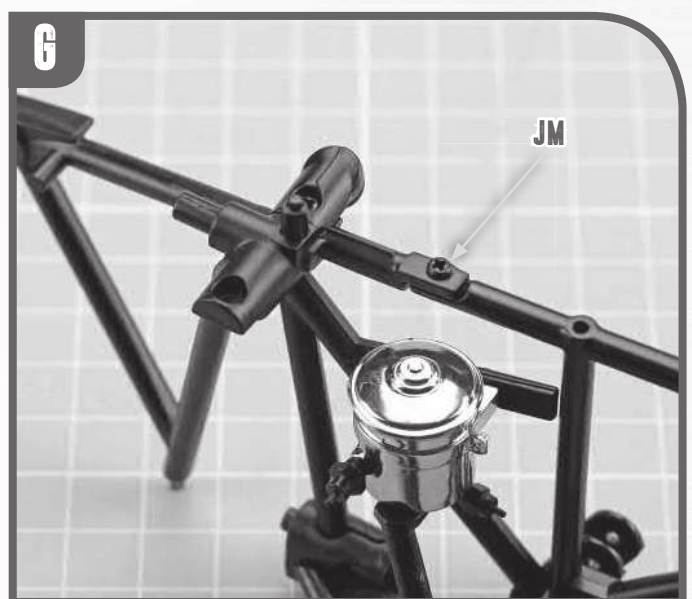
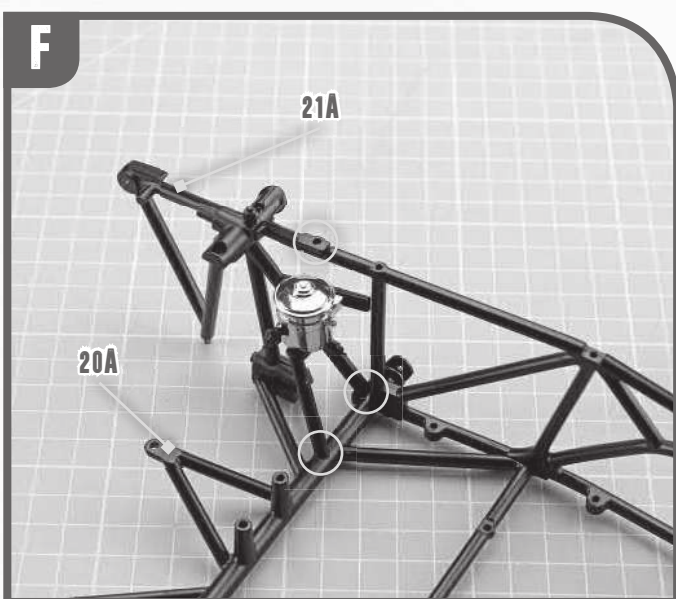
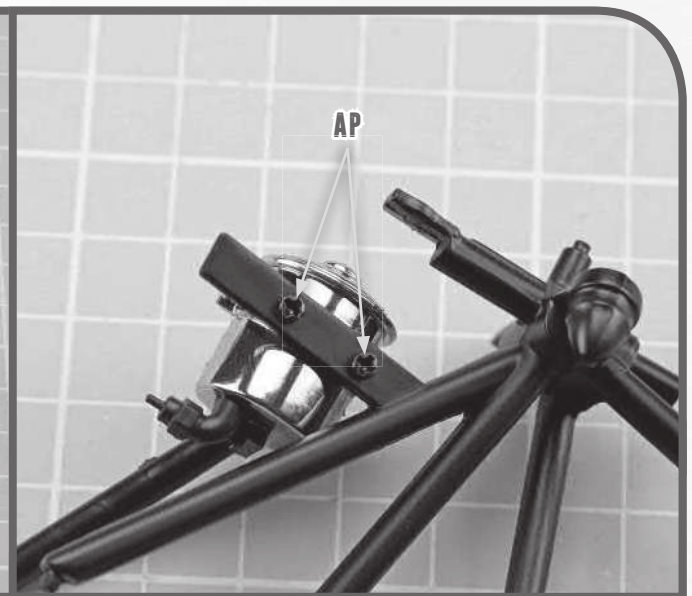
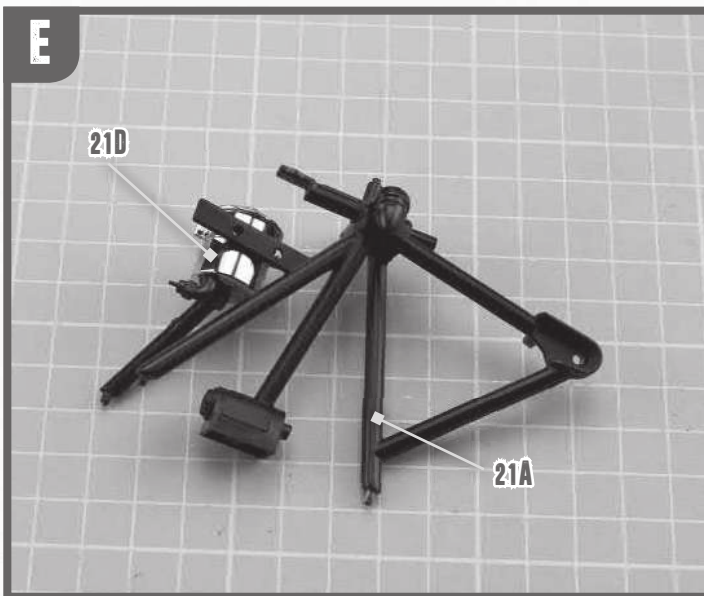
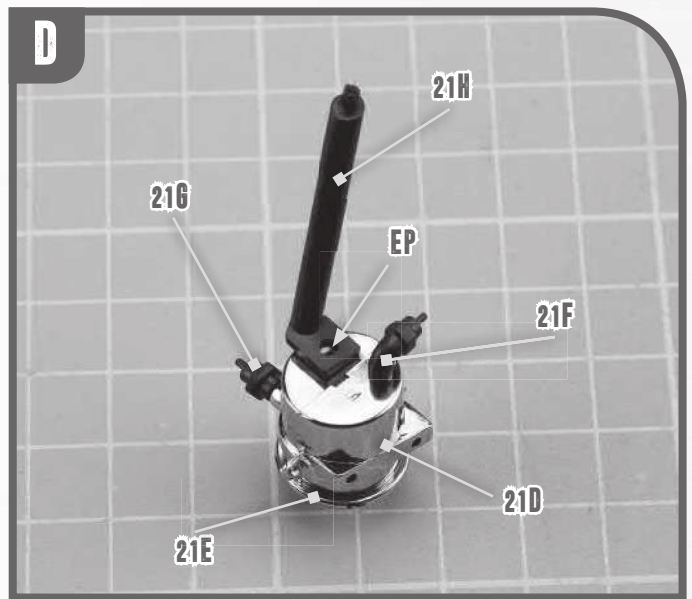
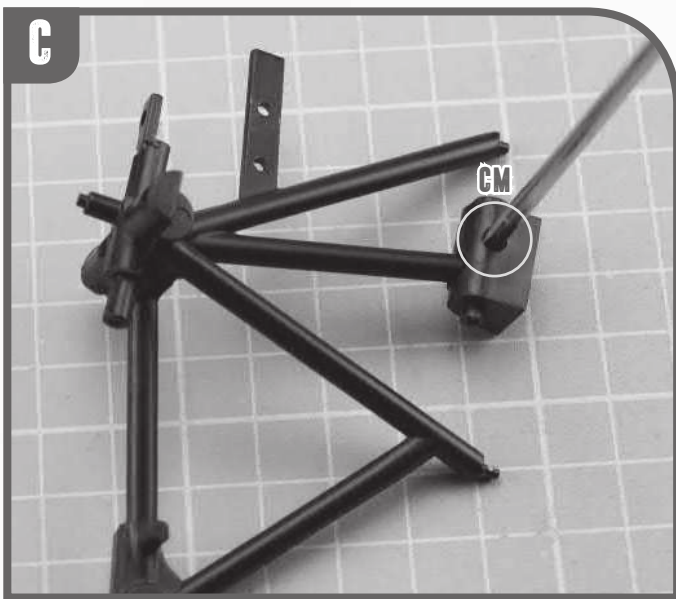
21 PARTS LIST



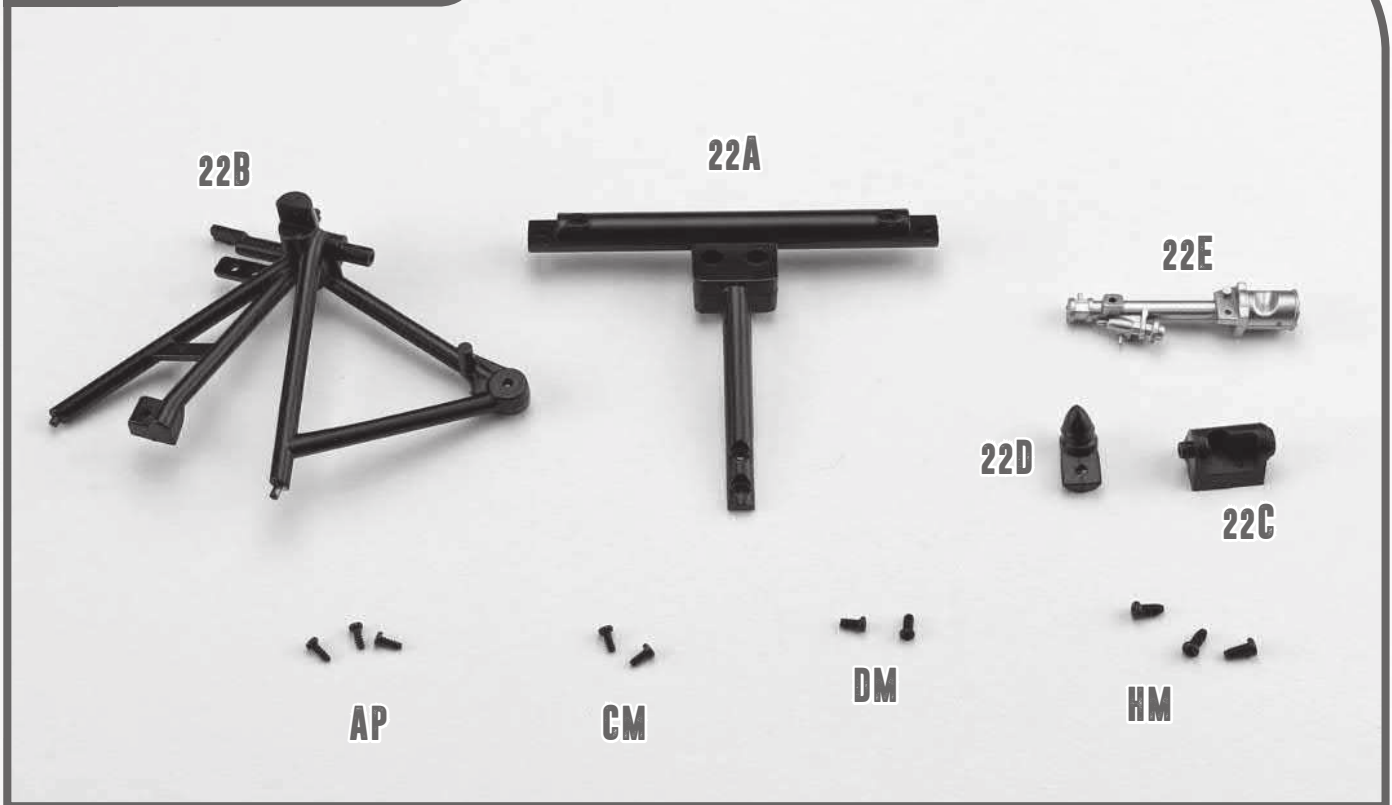
- | | | |
|--|-----------------------------------|------------------------------|
| 21A Chassis – rear left section | 21F Fuel lines connector 2 | AP 3 screws (1.7x4mm) |
| 21B Torsion bar support bushing 1 | 21G Fuel lines connector 3 | EP 2 screws (2x4mm) |
| 21C Suspension lock 1 | 21H Reservoir support | CM 2 screws (1.7x4mm) |
| 21D Compensating reservoir | | DM 2 screws (2x4mm) |
| 21E Reservoir cover | | JM 2 screws (2x5mm) |



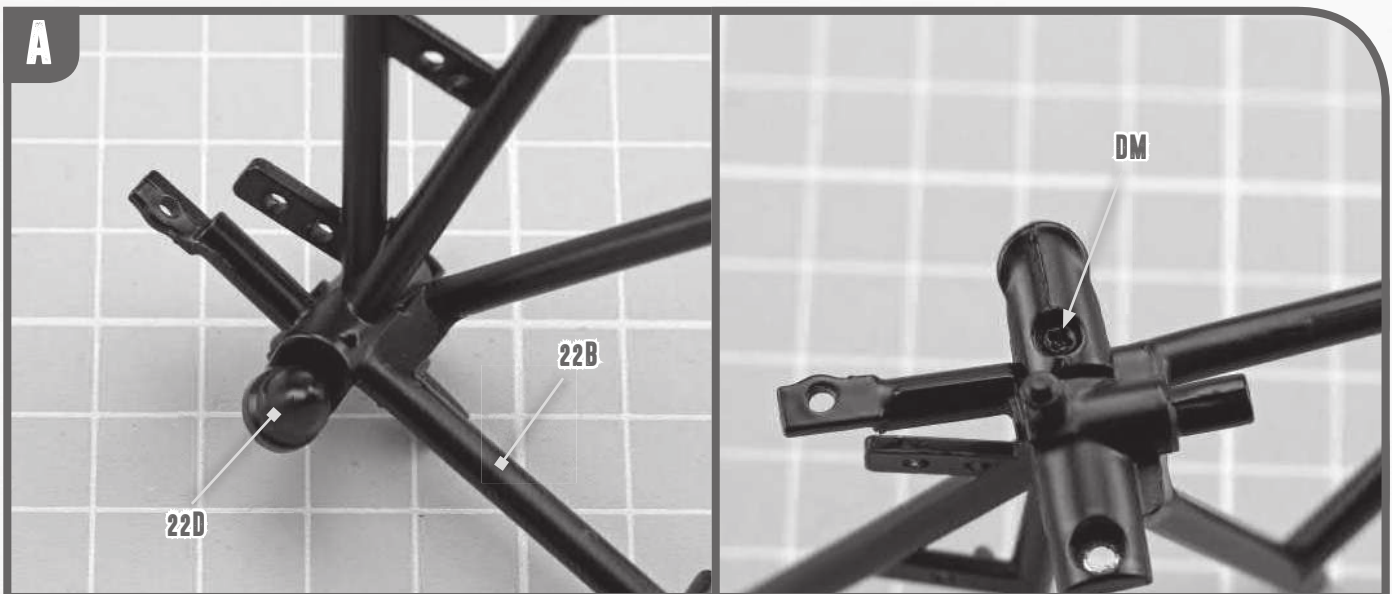
stepbystep #21



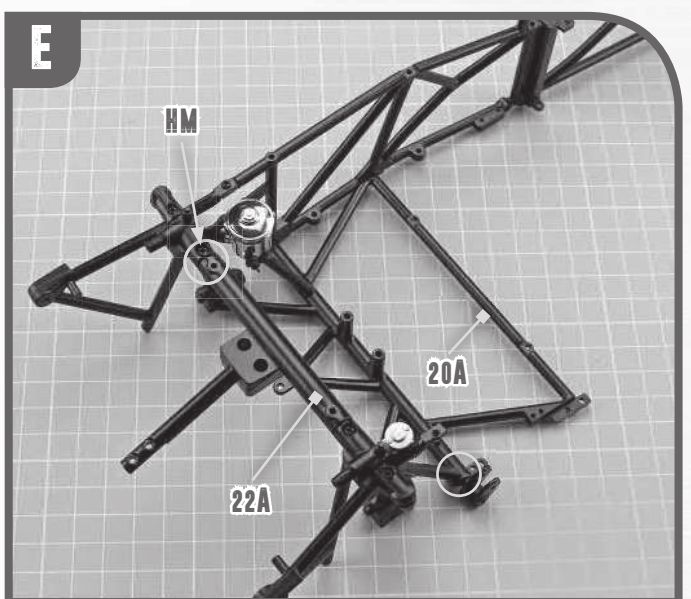
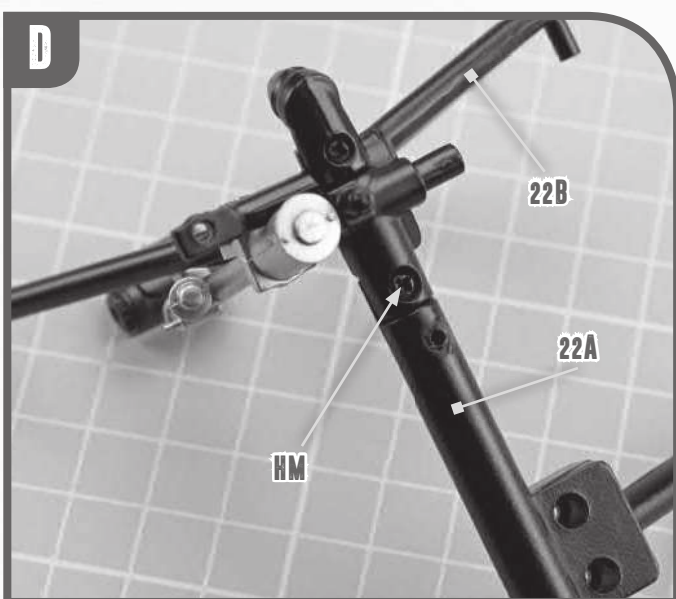
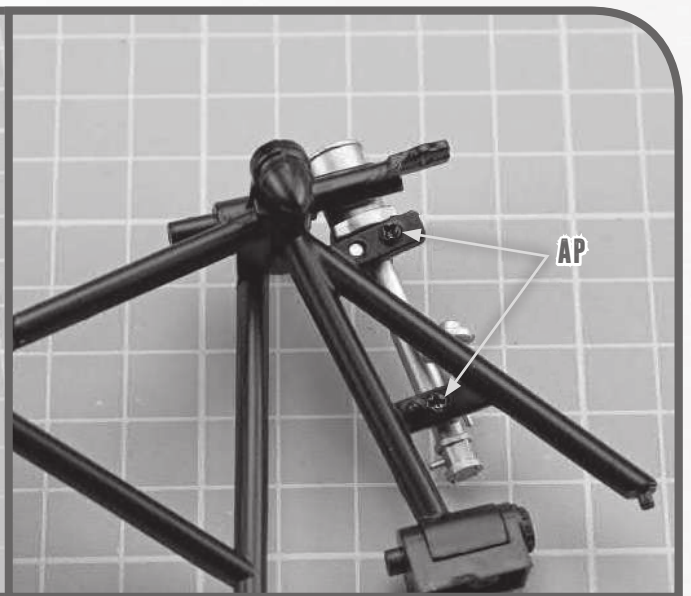
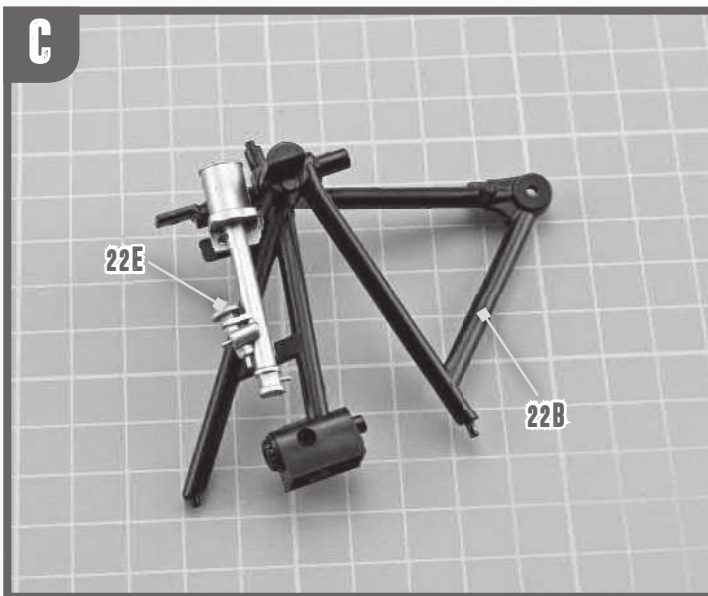
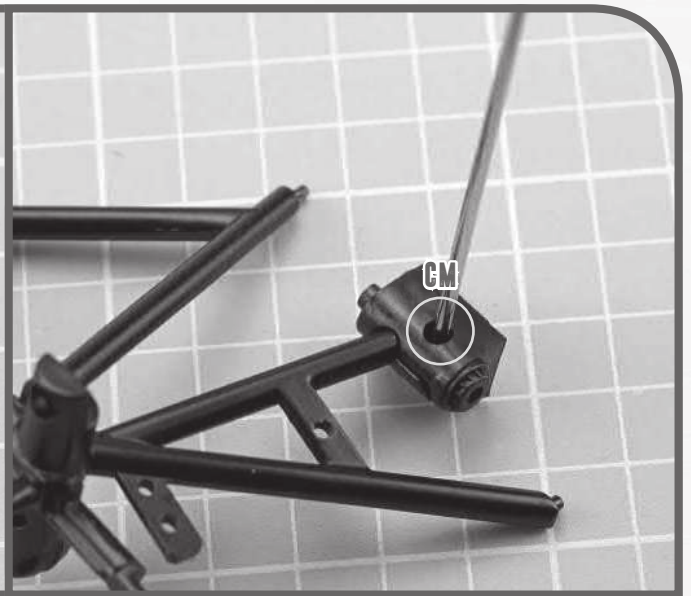
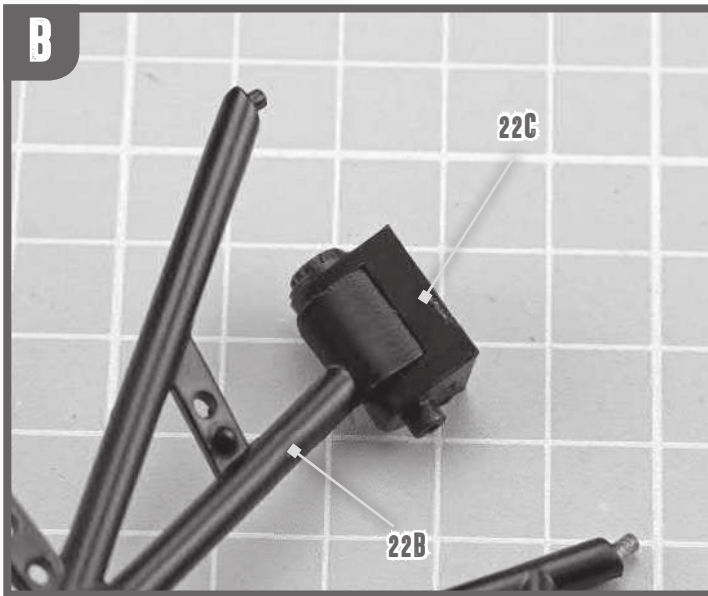
22 PARTS LIST



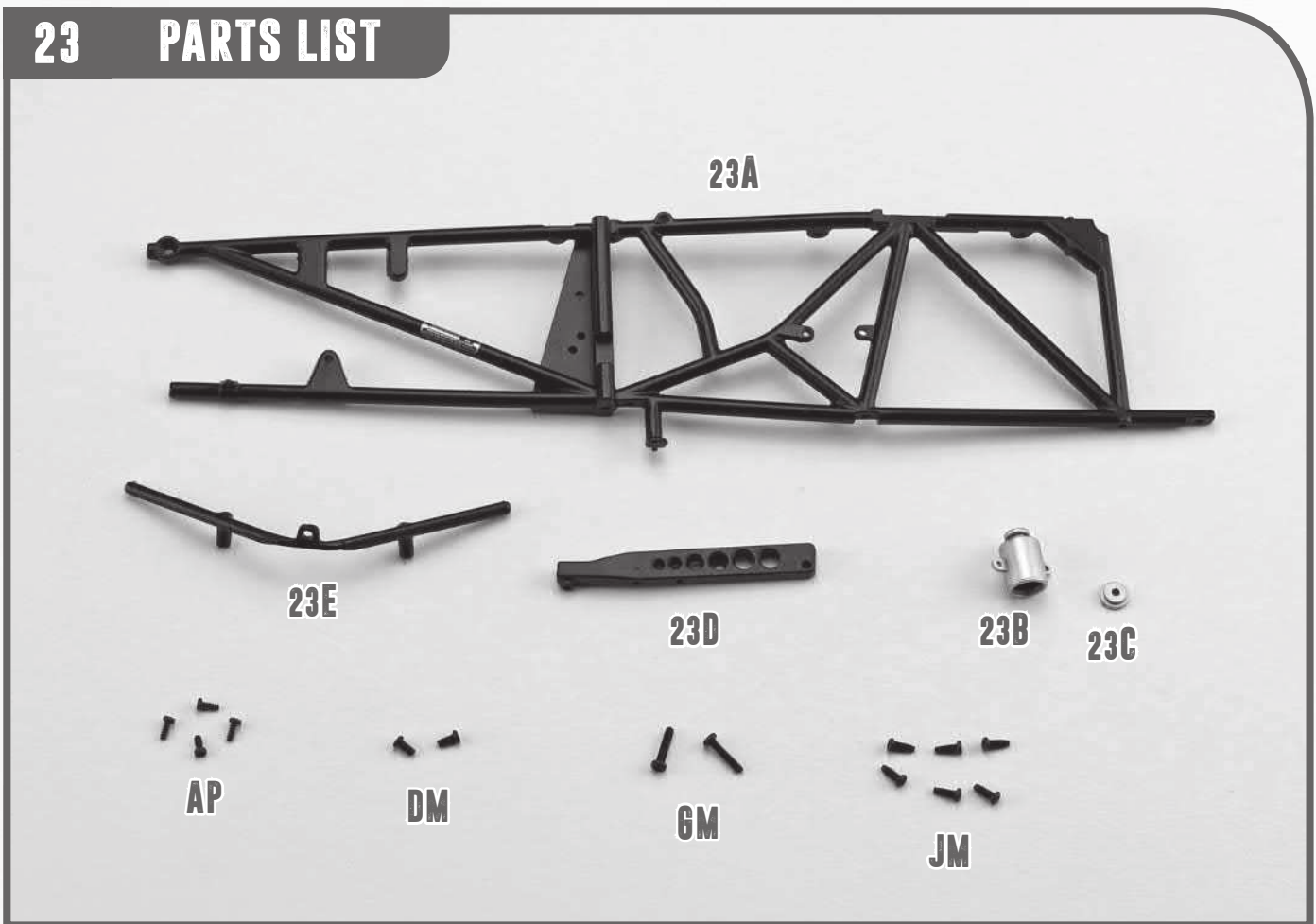
- | | |
|--|------------------------------|
| 22A Rear crossbeam | AP 3 screws (1.7x4mm) |
| 22B Chassis – rear right section | CM 2 screws (1.7x4mm) |
| 22C Torsion bar support bushing 2 | DM 2 screws (2x4mm) |
| 22D Suspension lock 2 | HM 3 screws (2.3x5mm) |
| 22E Fuel pump | |



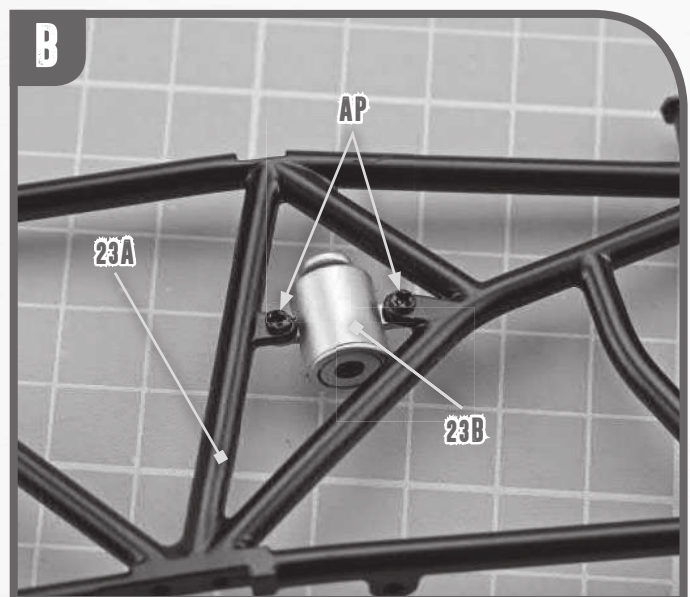
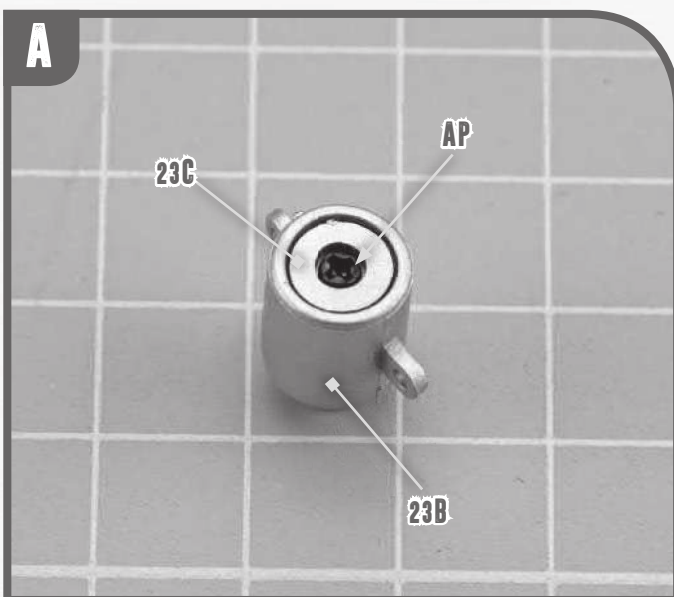
stepbystep #22



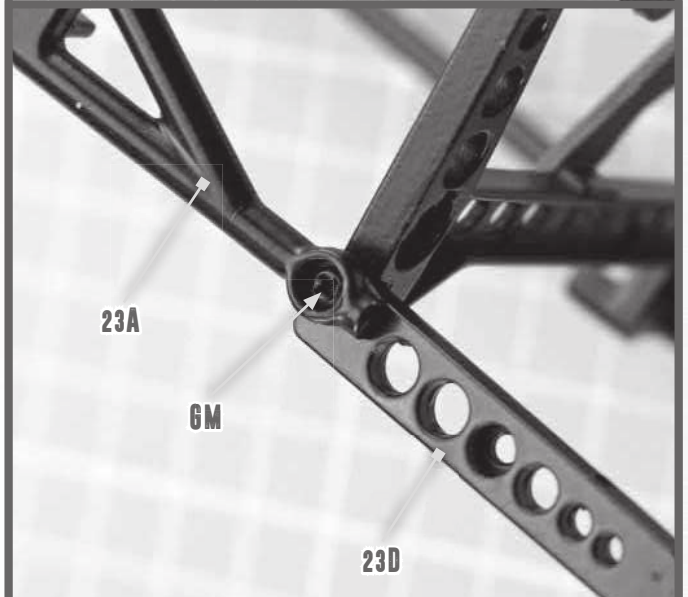
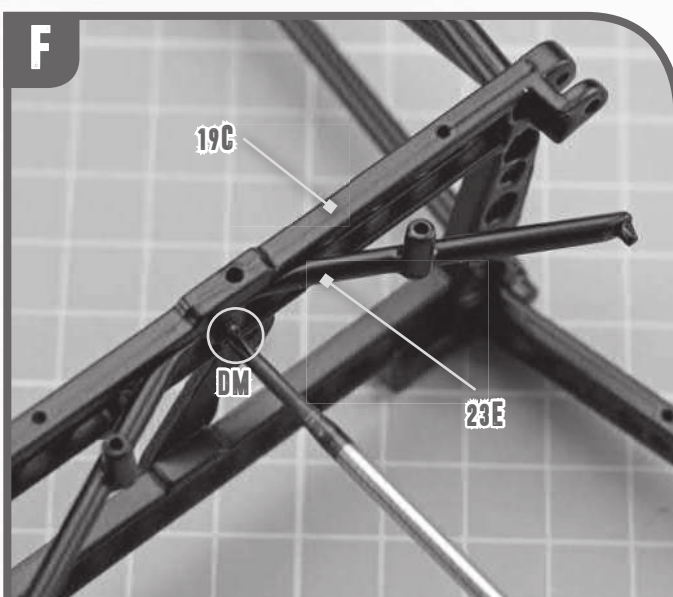
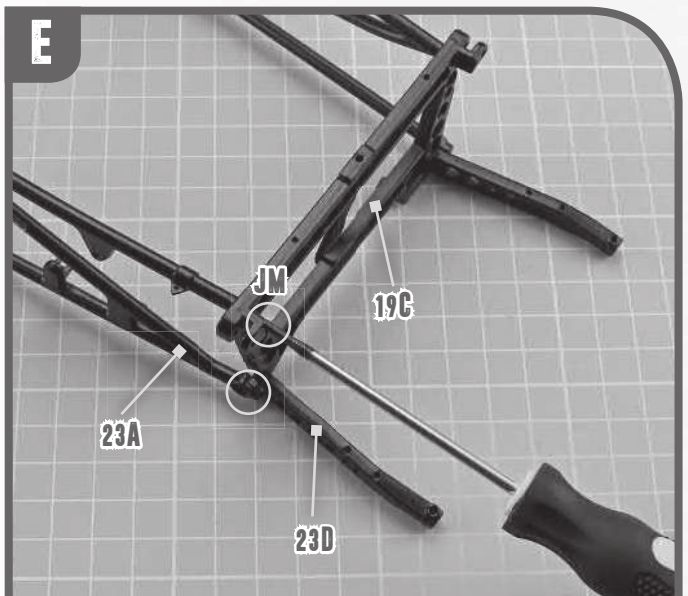
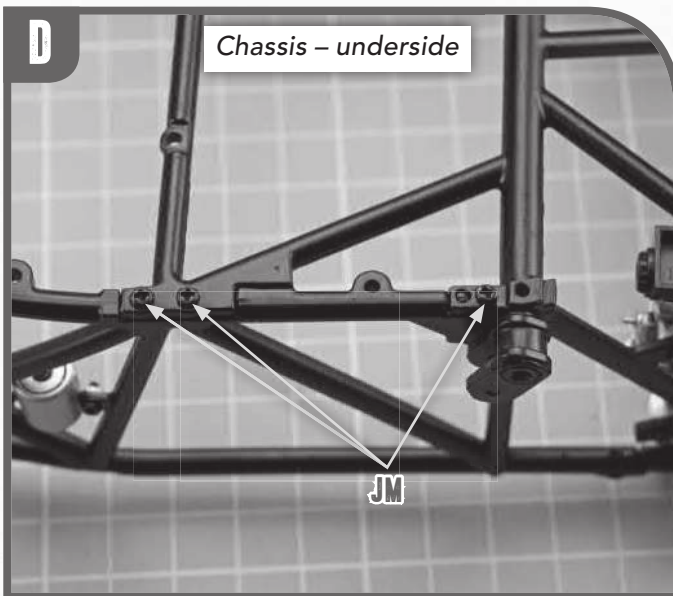
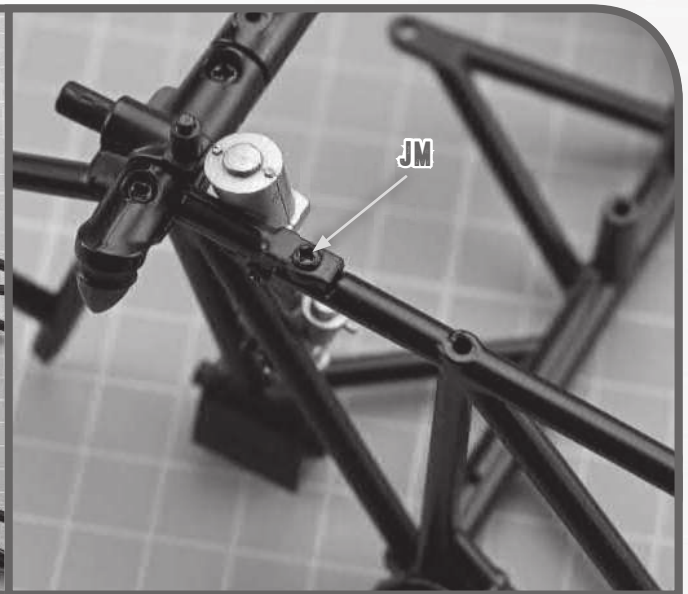
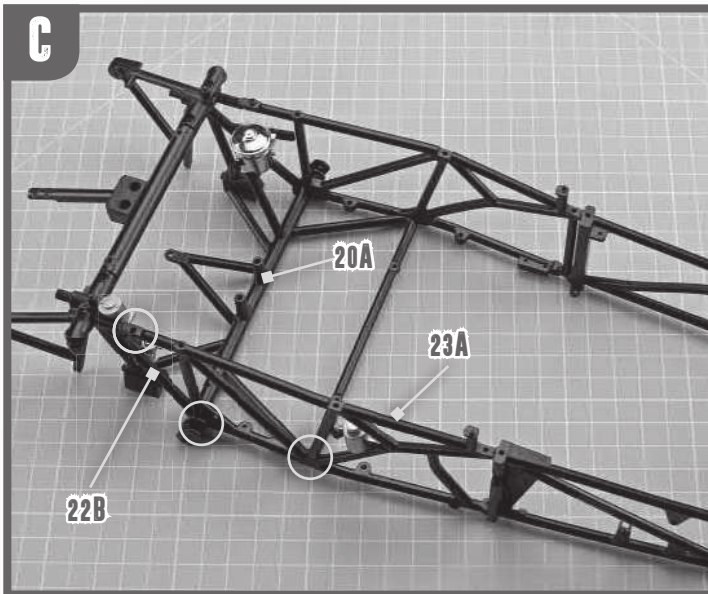
23 PARTS LIST



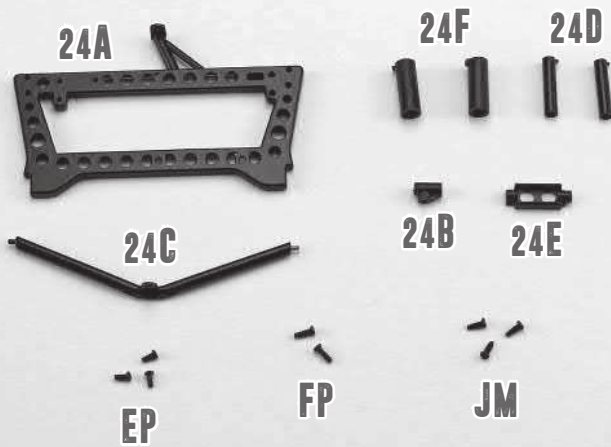
- | | |
|------------------------------------|------------------------------|
| 23A Chassis – right section | AP 4 screws (1.7x4mm) |
| 23B Brake fluid reservoir | DM 2 screws (2x4mm) |
| 23C Reservoir base | GM 2 screws (2x10mm) |
| 23D Radiator support (R) | JM 6 screws (2x5mm) |
| 23E Front crossbeam | |



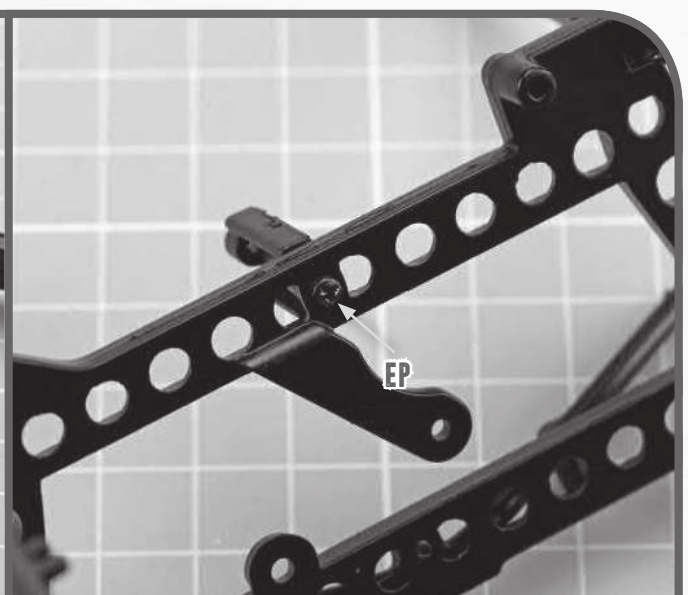
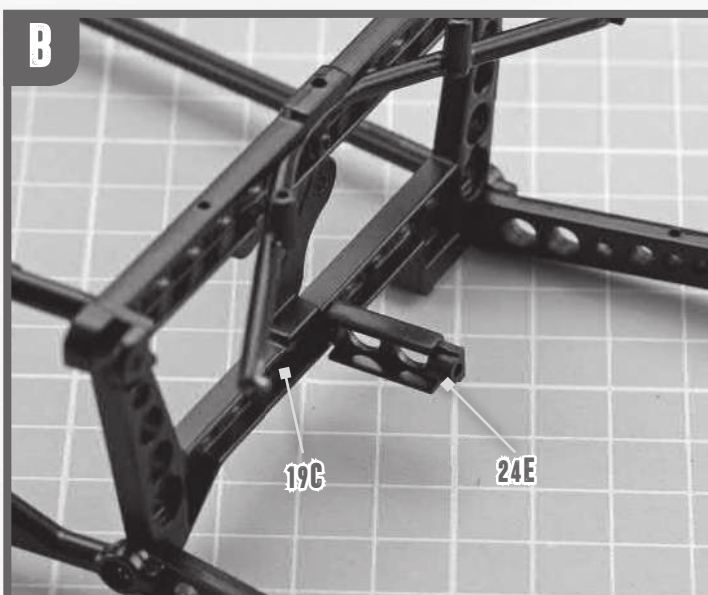
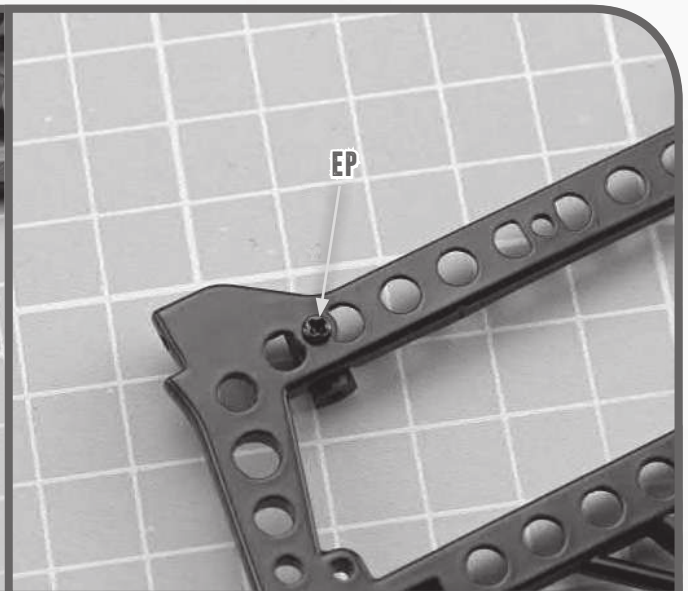
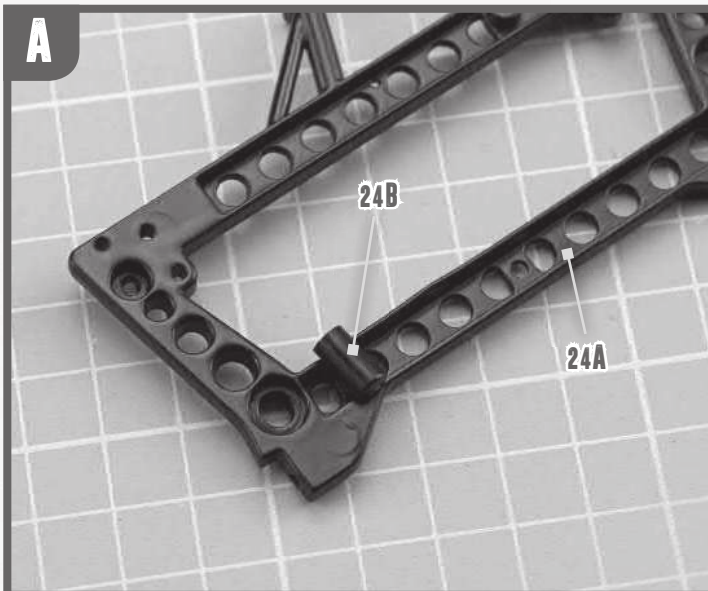
stepbystep #23



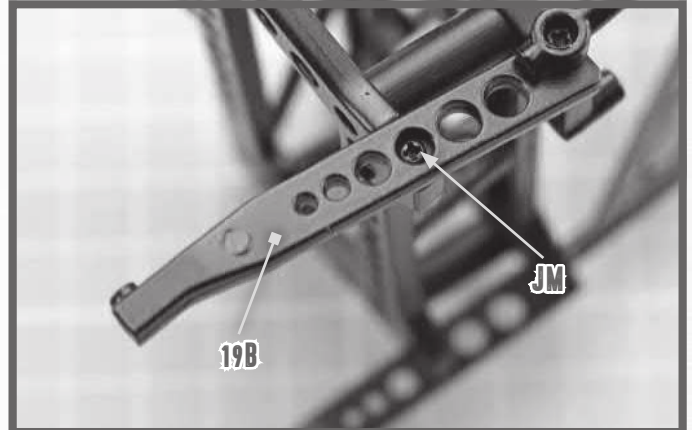
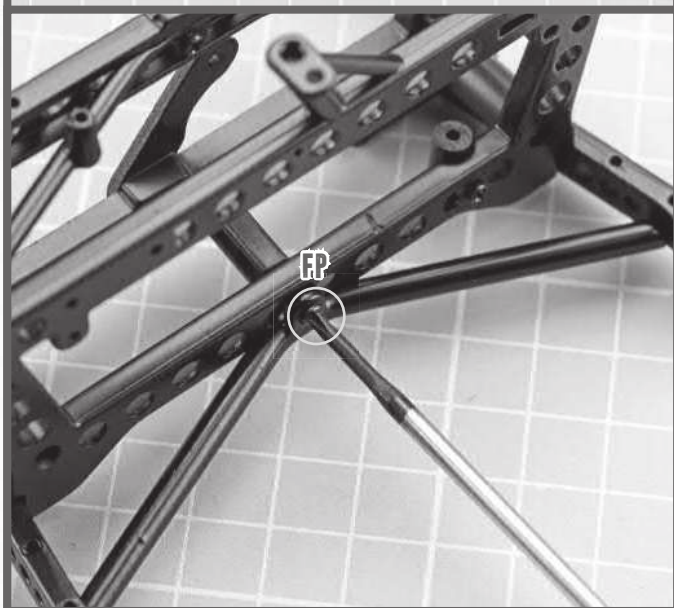
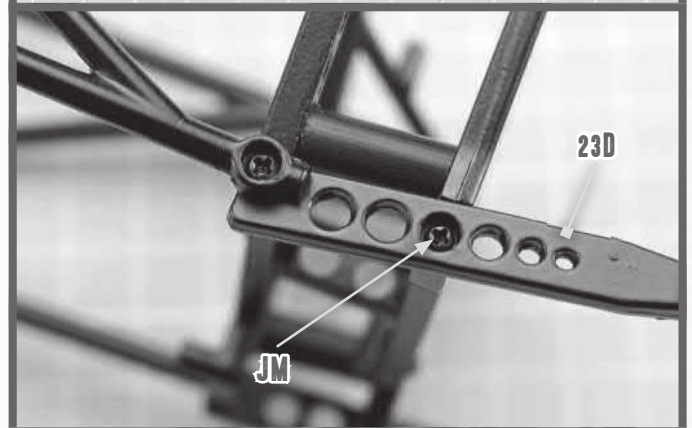
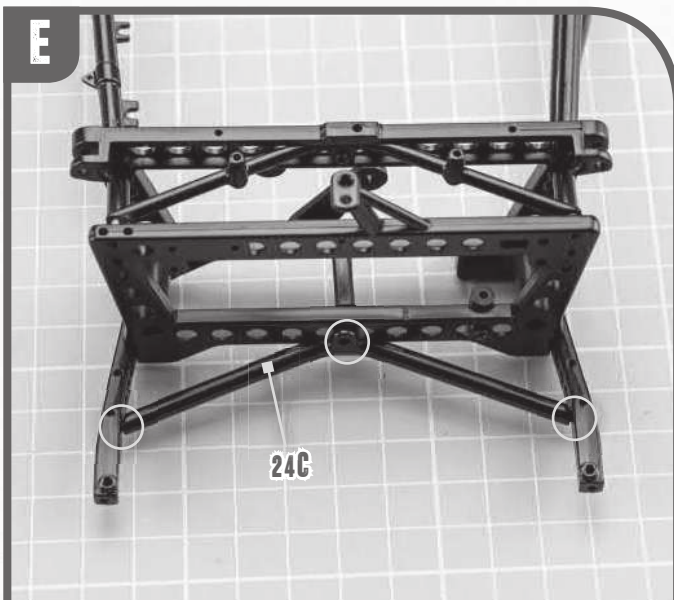
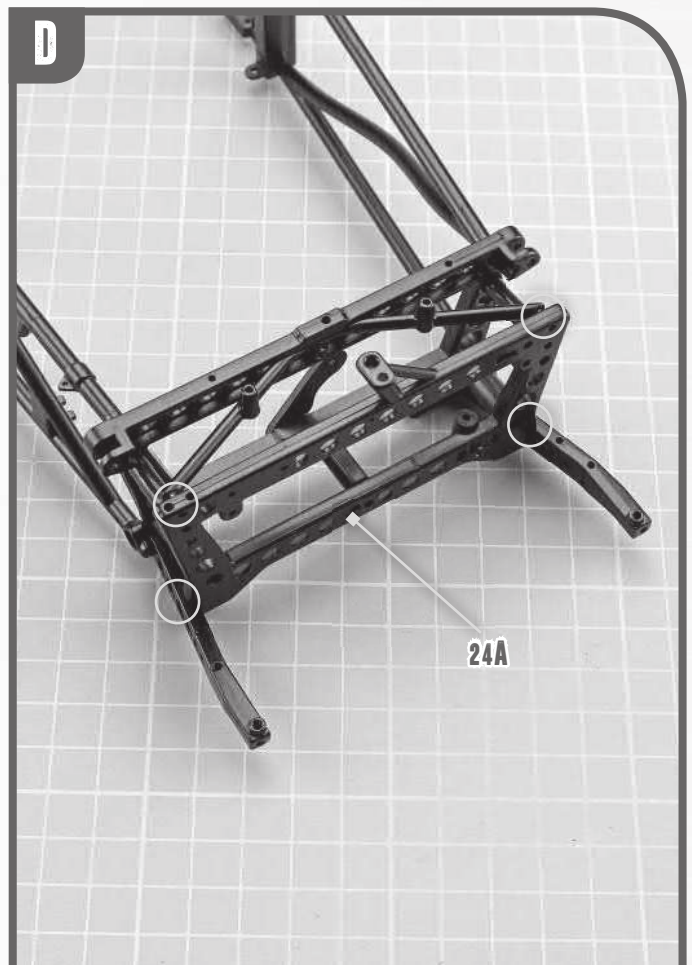
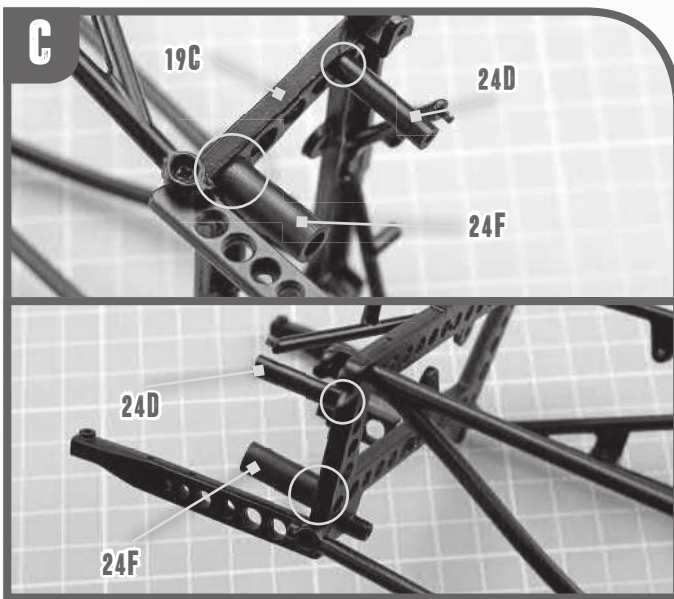
24 PARTS LIST



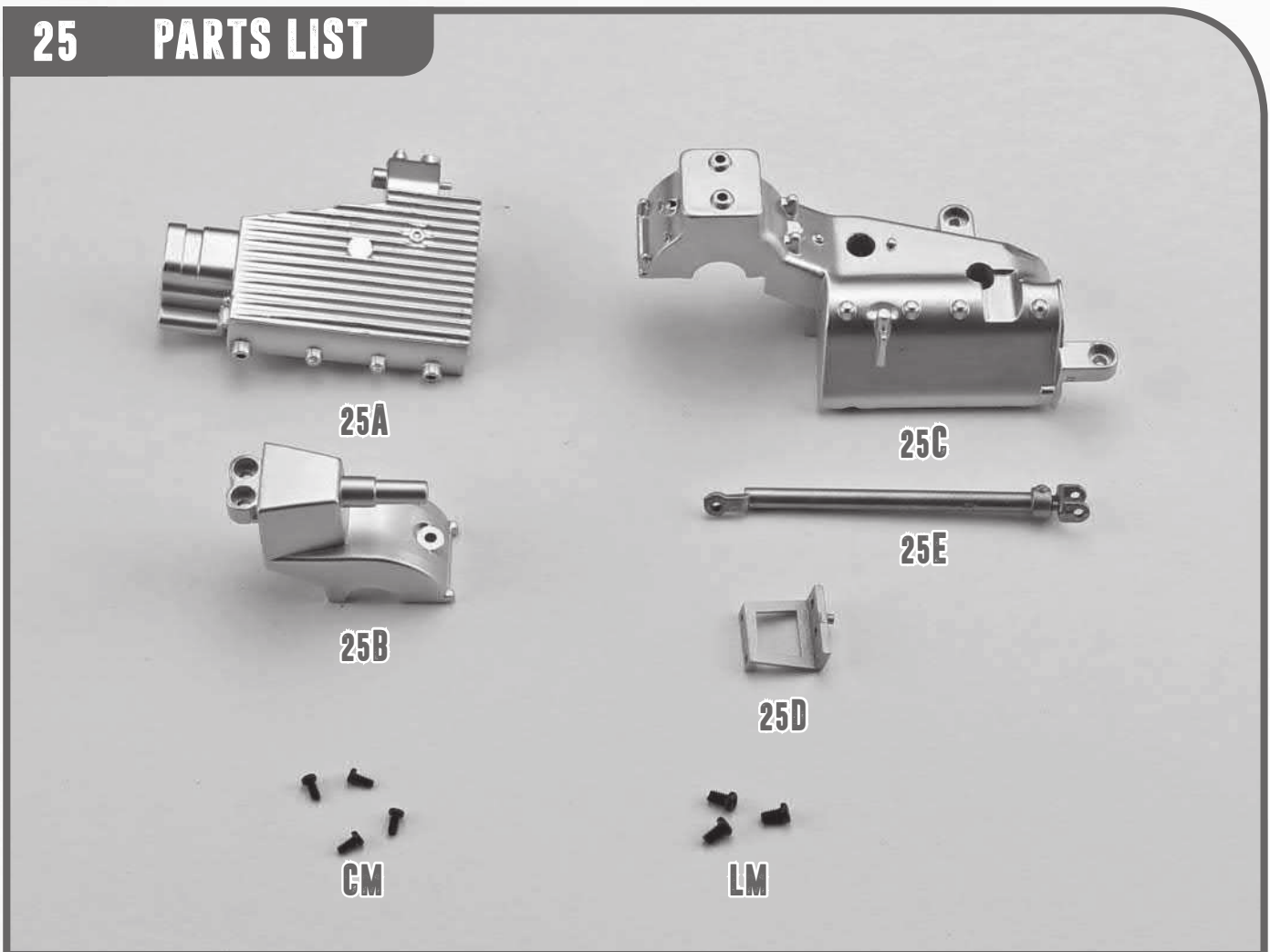
- 24A** Front suspension support 2
- 24B** Steering support
- 24C** Front lower crossbeam
- 24D** Front suspension upper arm axles (x2)
- 24E** Reinforcement panel
- 24F** Front torsion bar support bushings (x2)
- EP** 3 screws (2x4mm)
- FP** 2 screws (2x6mm)
- JM** 3 screws (2x5mm)



stepbystep #24



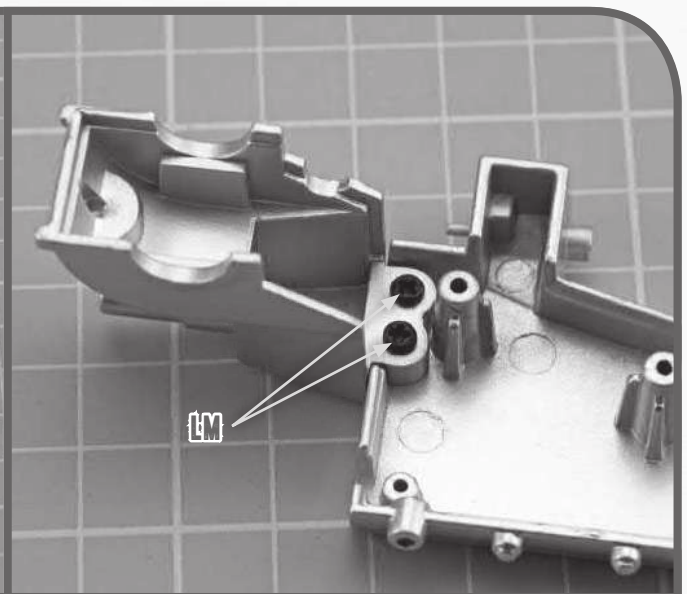
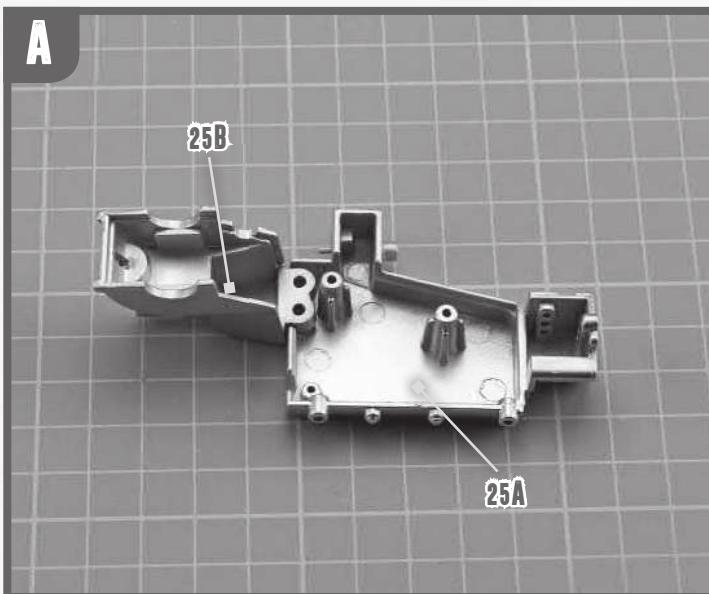
25 PARTS LIST

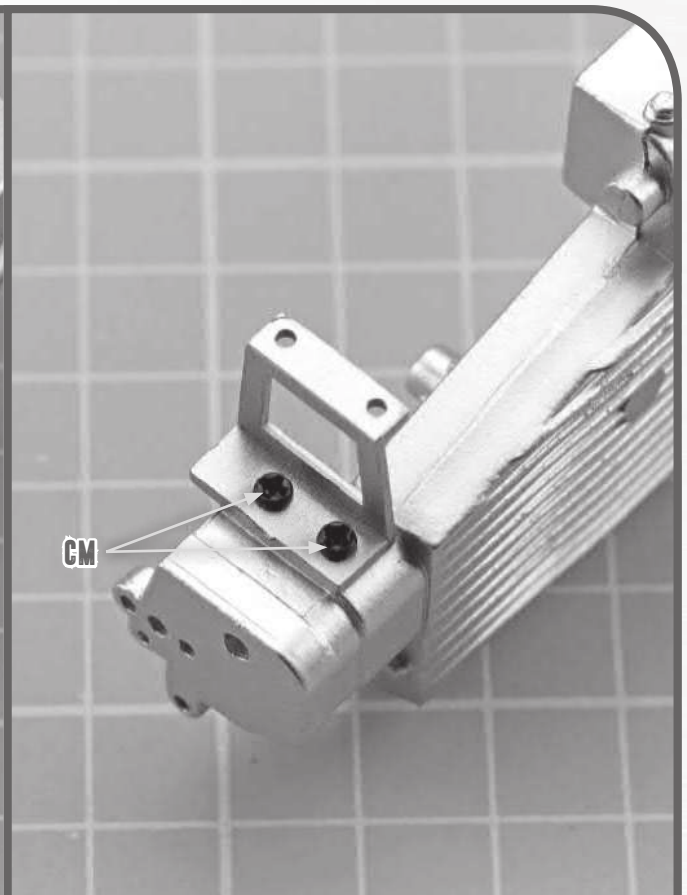
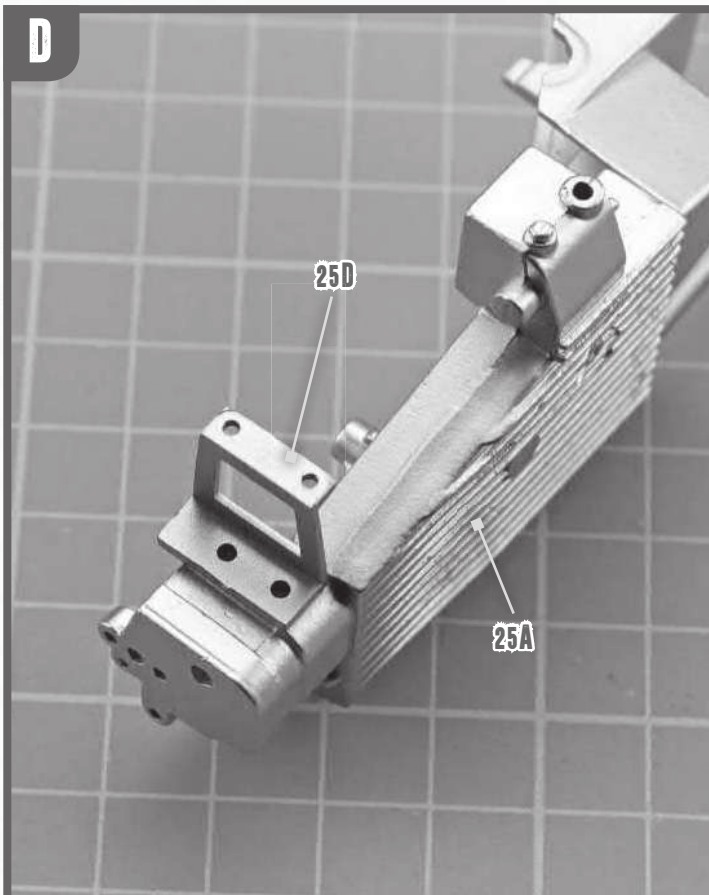
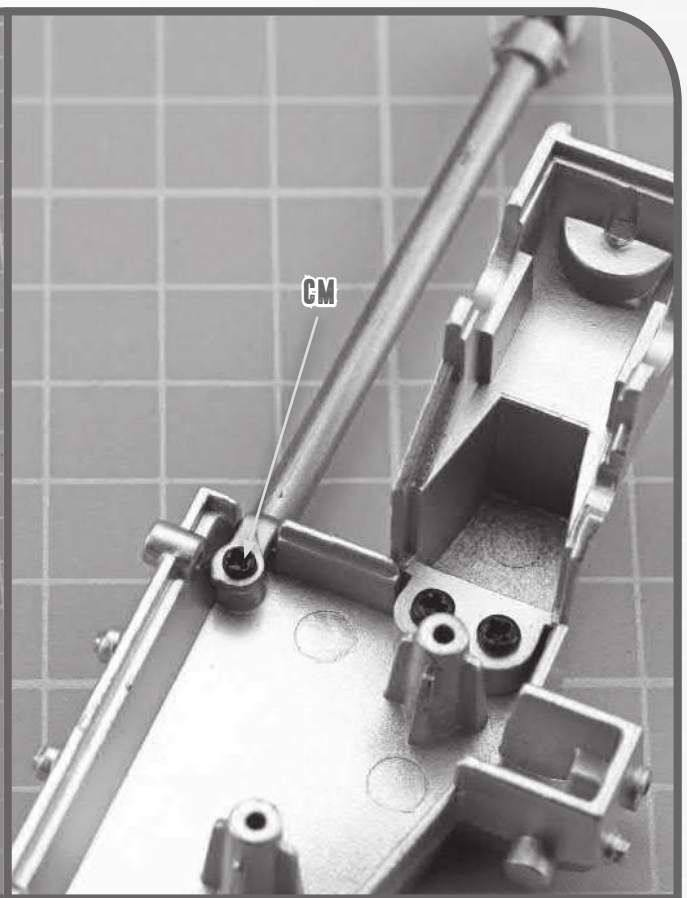
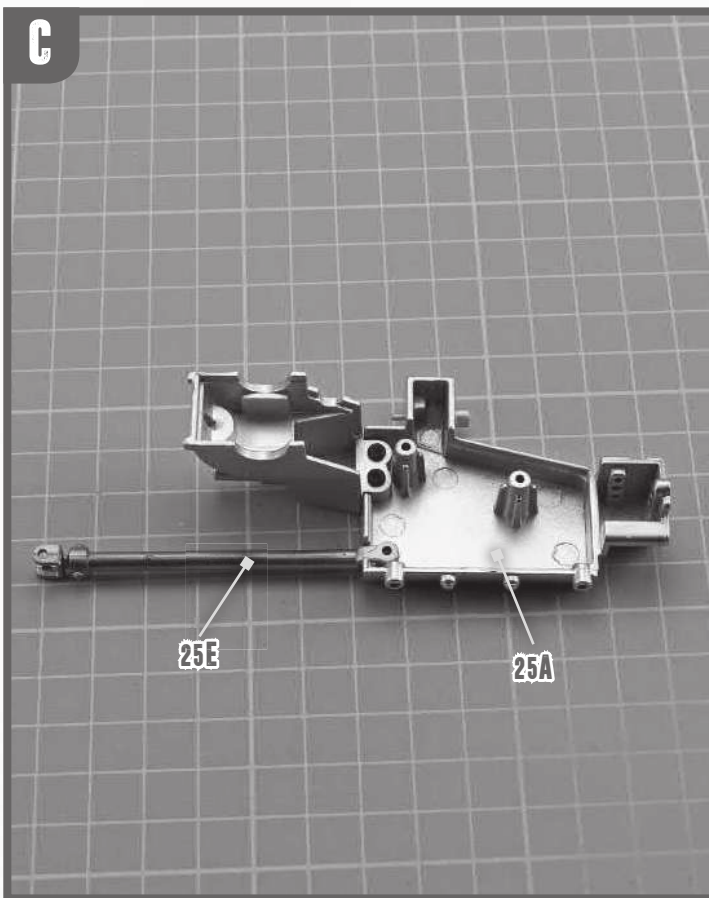


23A Gearbox part A
23B Gearbox part B
23C Gearbox part C

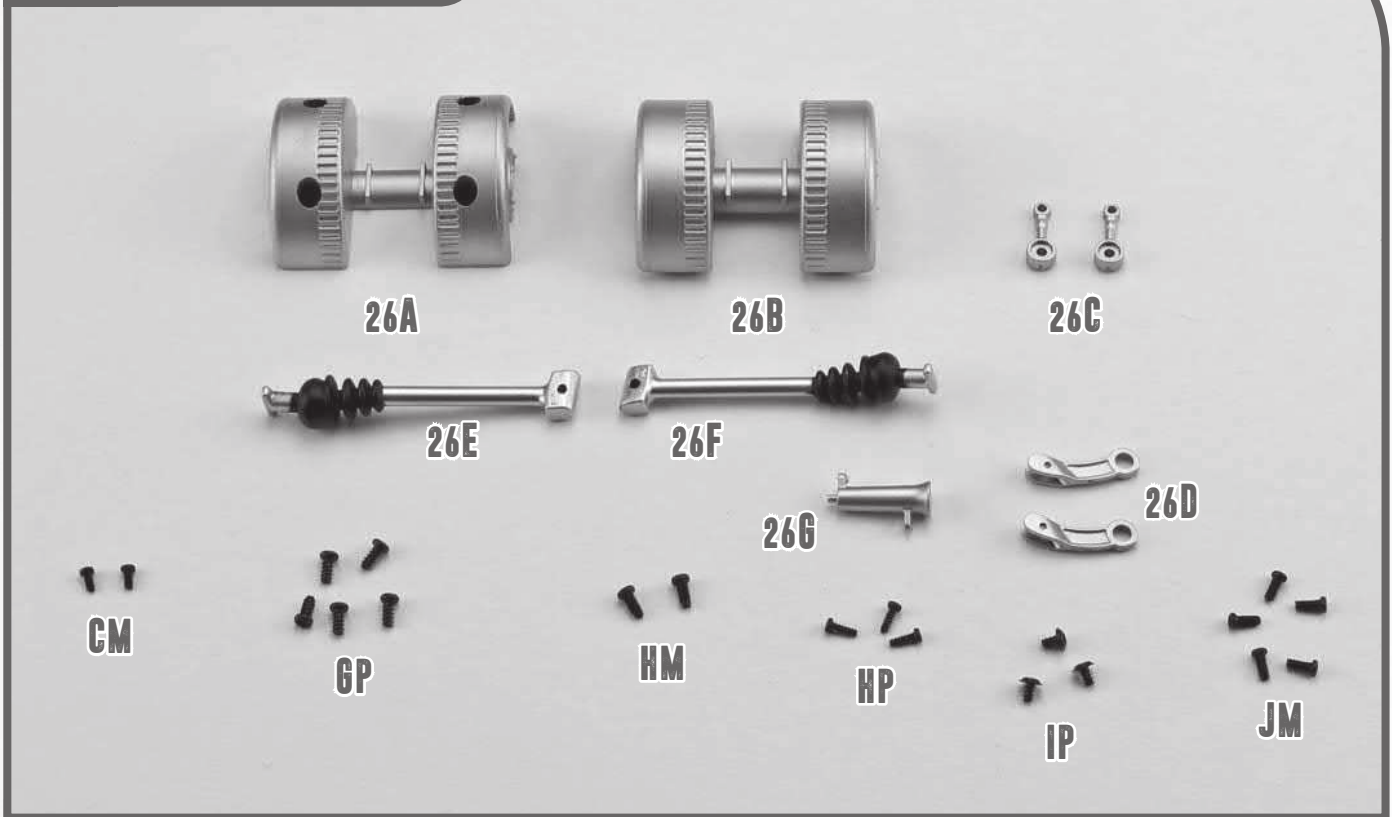
23D Gearbox rear support
23E Rear transmission shaft

CM 4 screws (1.7x4mm)
LM 3 screws (2.3x4mm)

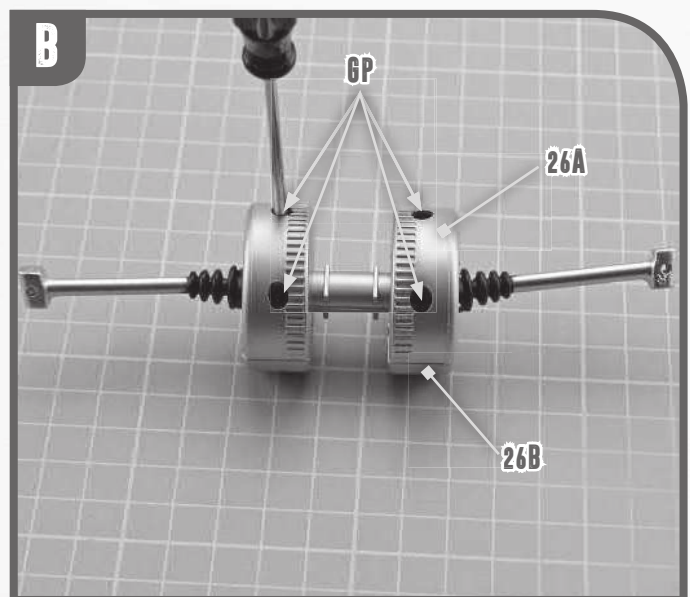
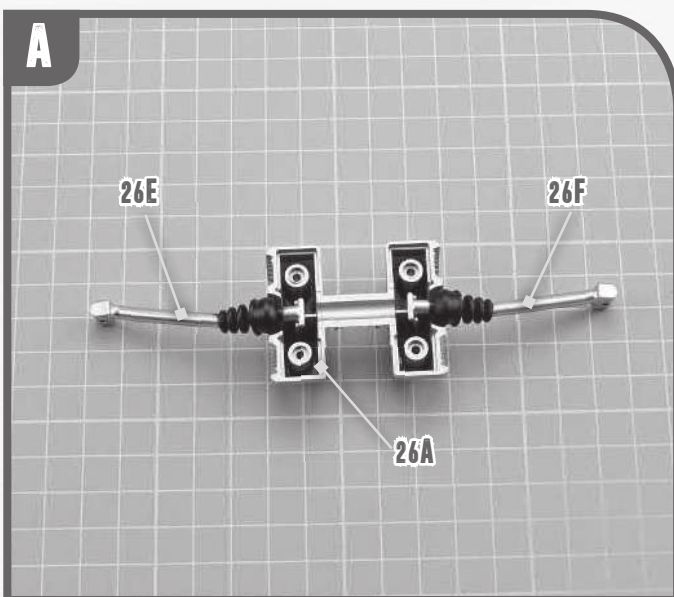




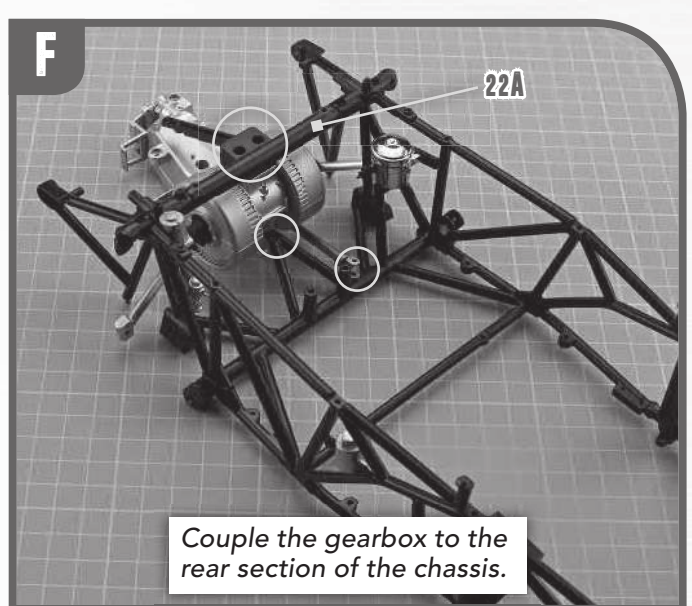
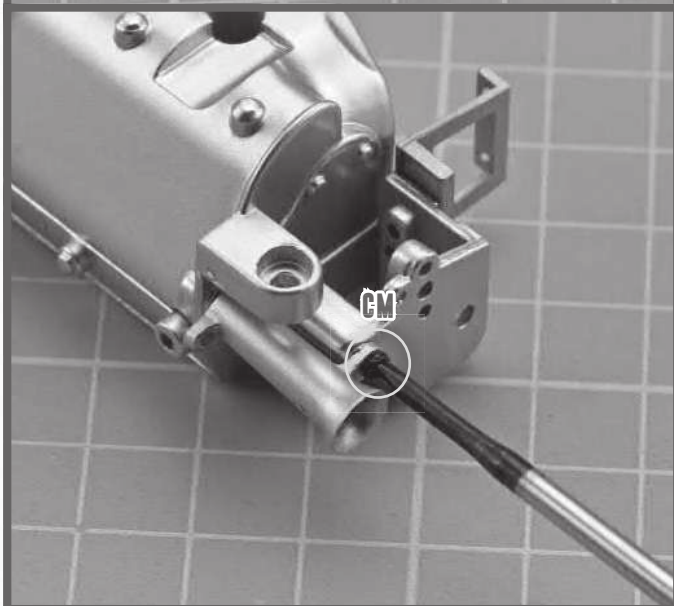
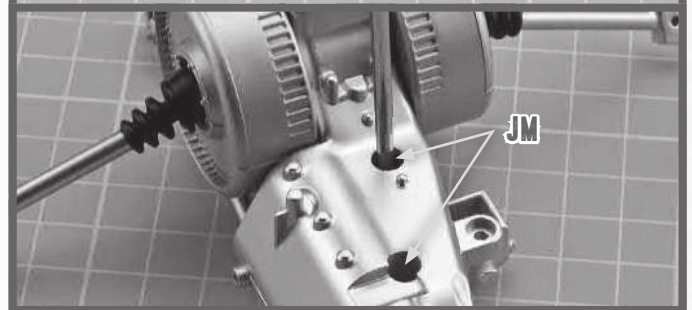
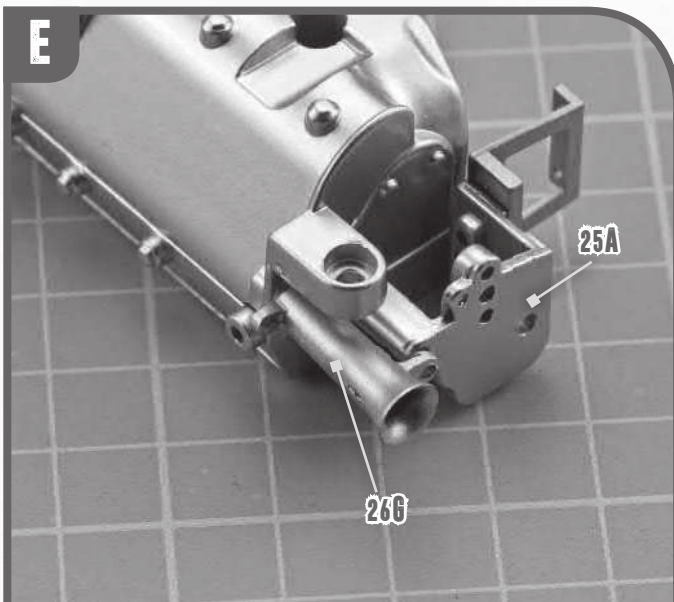
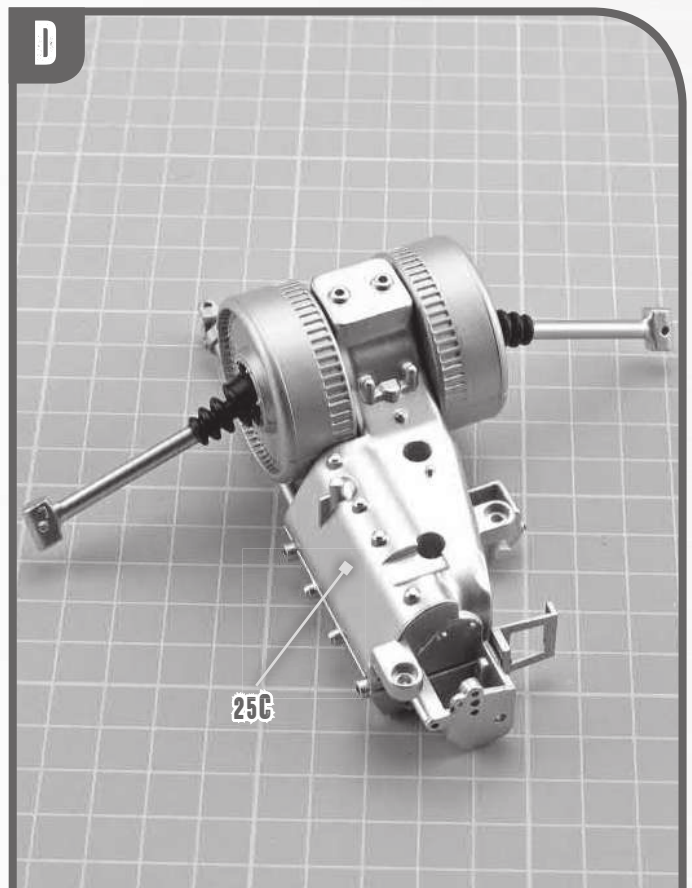
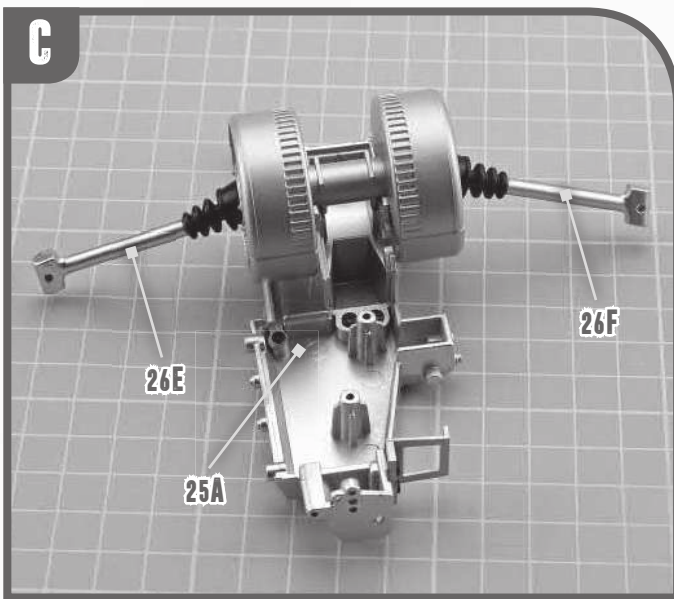
26 PARTS LIST

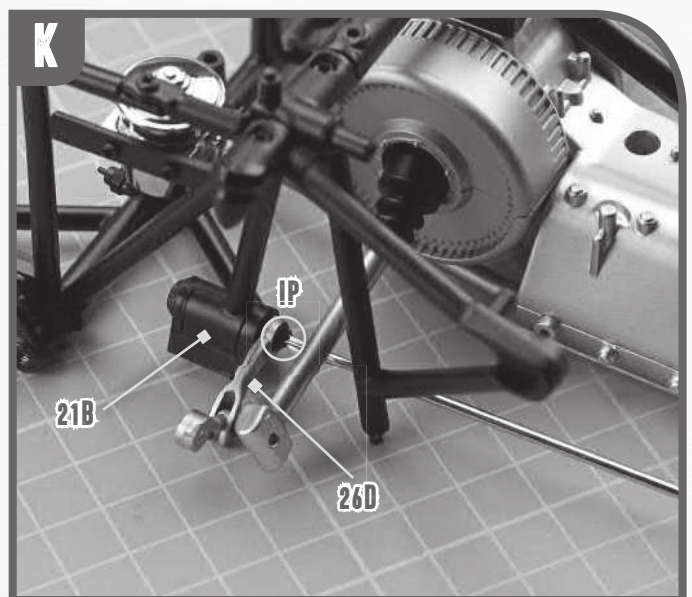
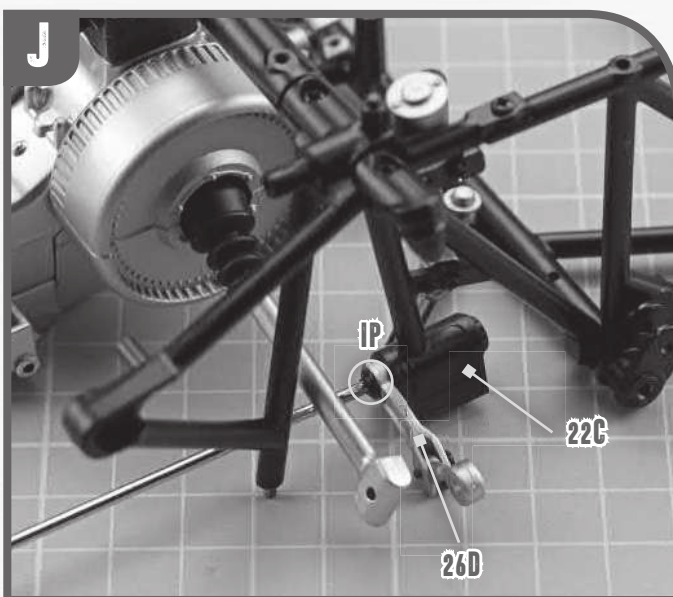
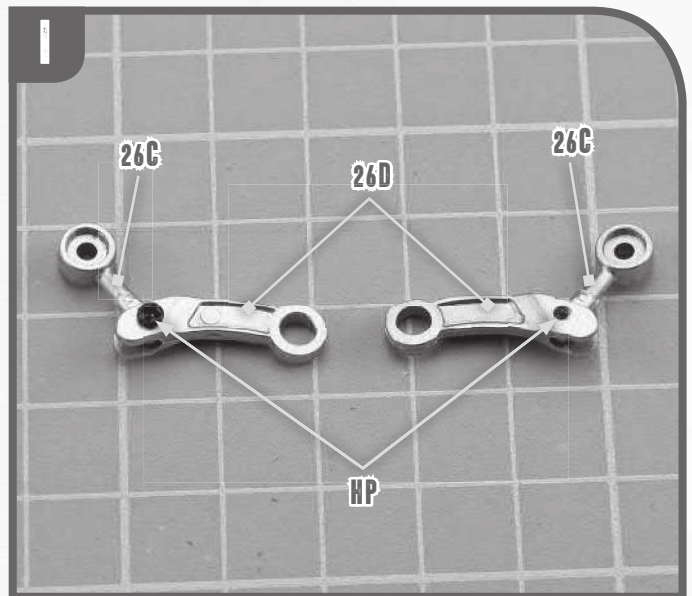
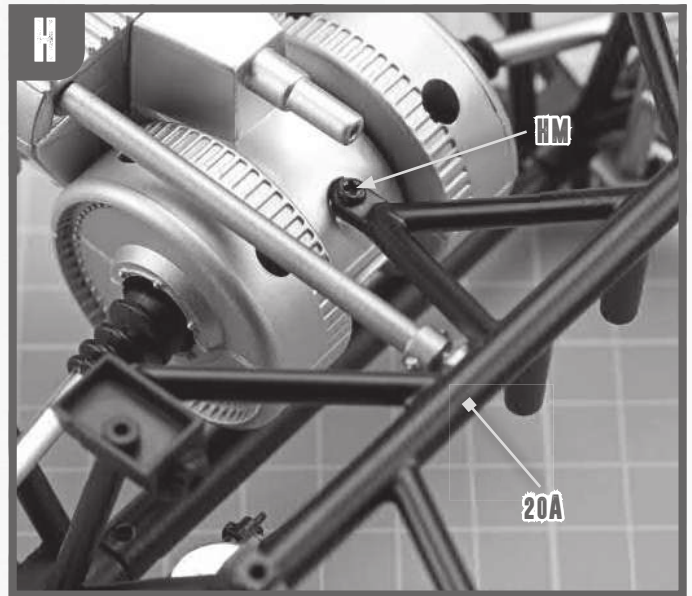
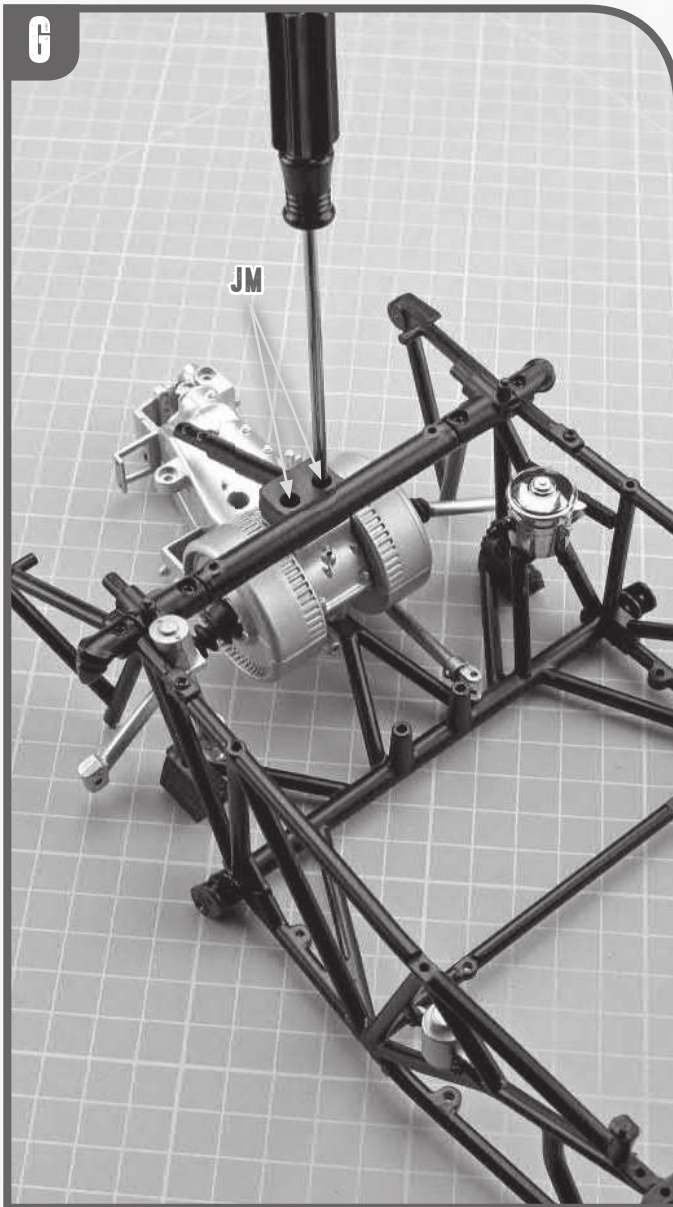


- | | |
|--|------------------------------|
| 26A Rear brake drums part A | GP 5 screws (2.3x5mm) |
| 26B Rear brake drums part B | HP 3 screws (1.7x5mm) |
| 26C Rear suspension levers (x2) | IP 3 screws (2x4x6mm) |
| 26D Rear suspension arms (x2) | CM 2 screws (1.7x4mm) |
| 26E Driveshaft (L) | HM 2 screws (2.3x5mm) |
| 26F Driveshaft (R) | JM 5 screws (2x5mm) |
| 26G External ignition adapter | |

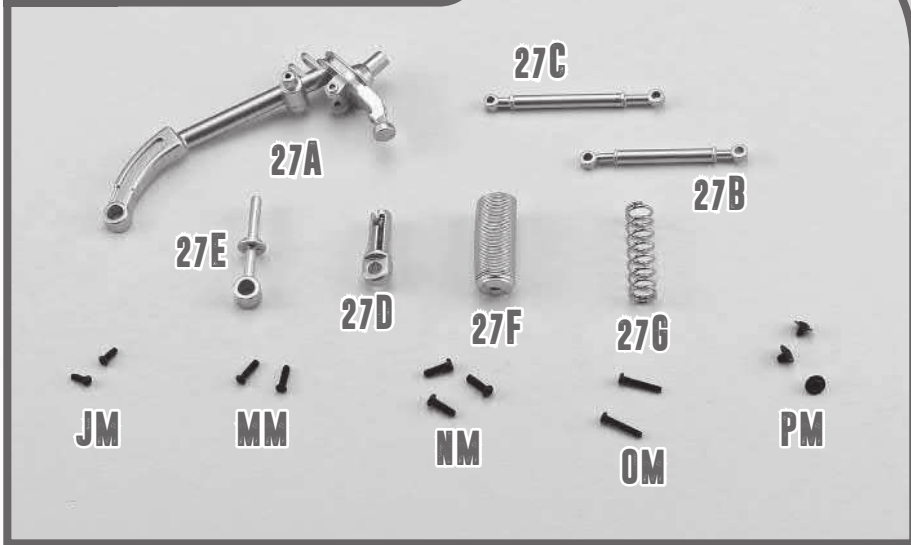


stepbystep #26



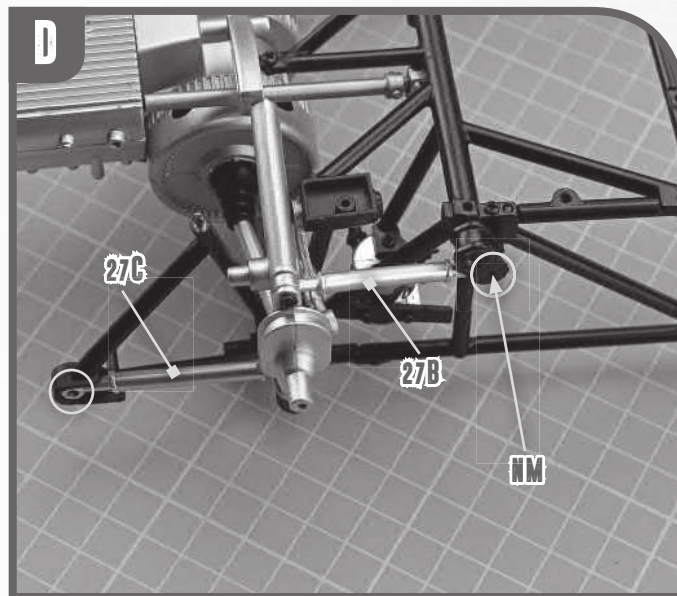
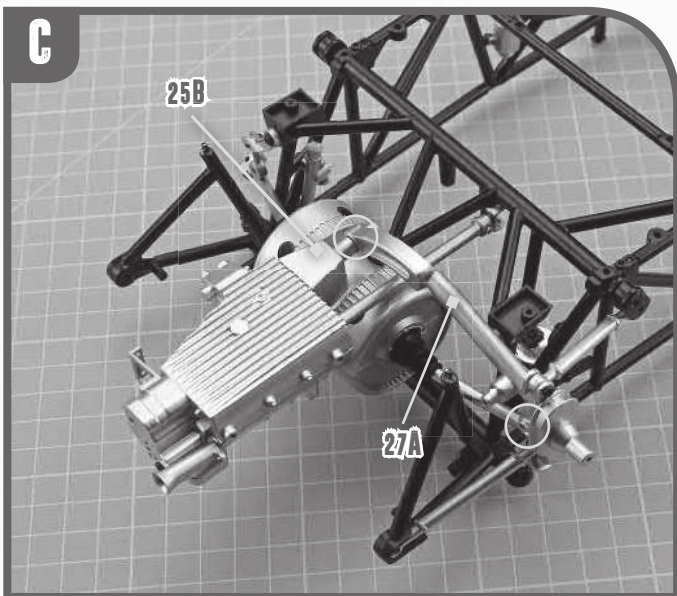
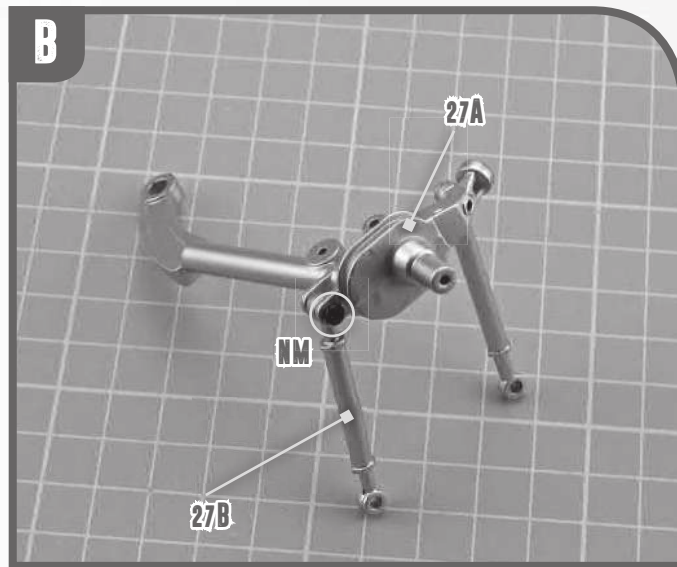
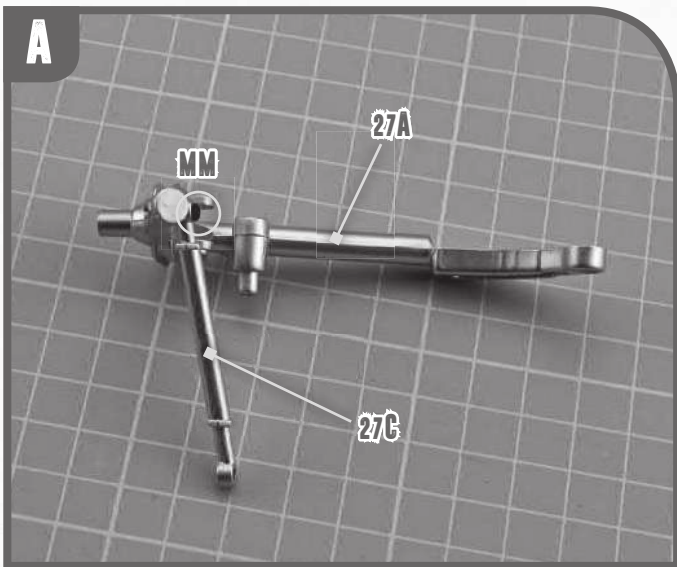


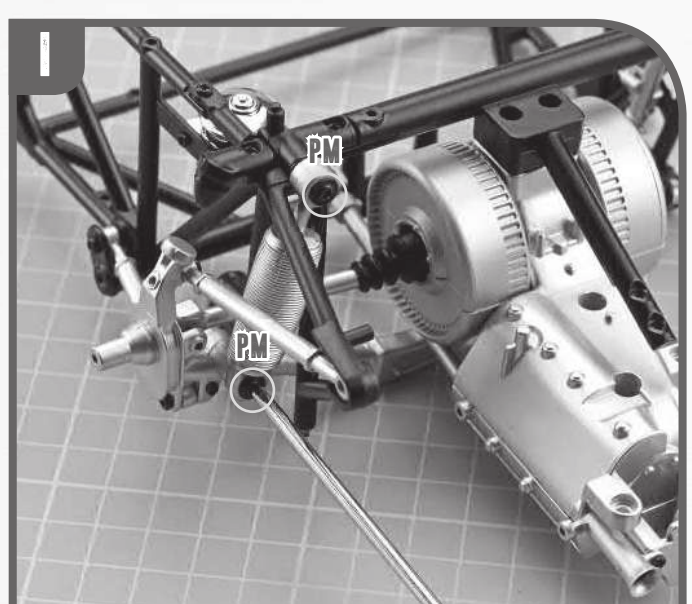
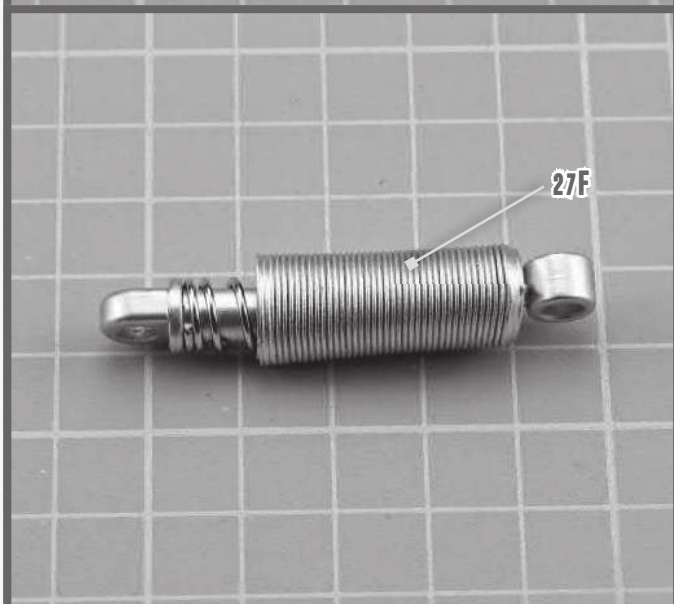
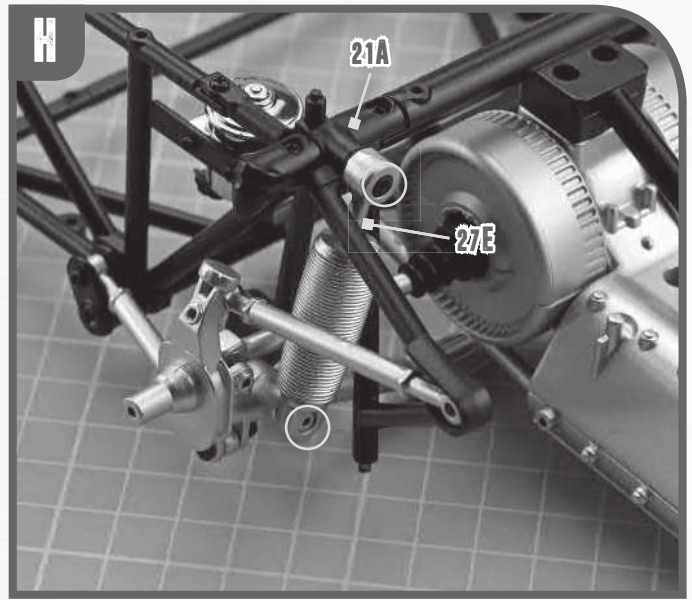
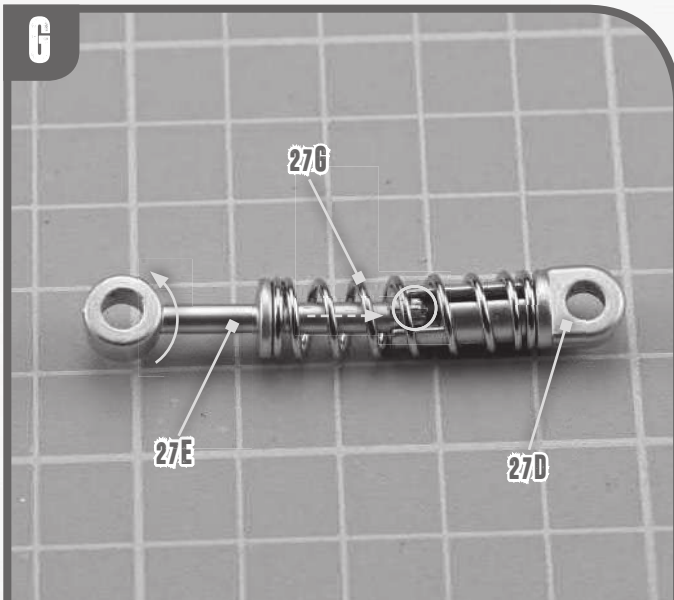
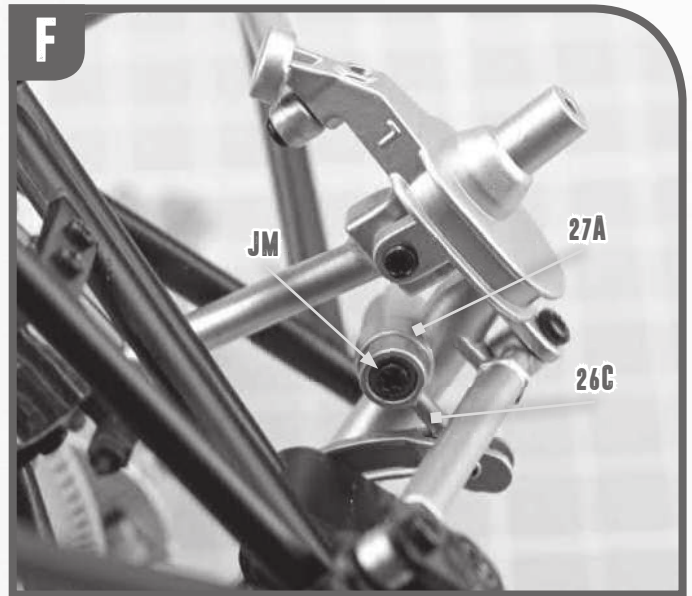
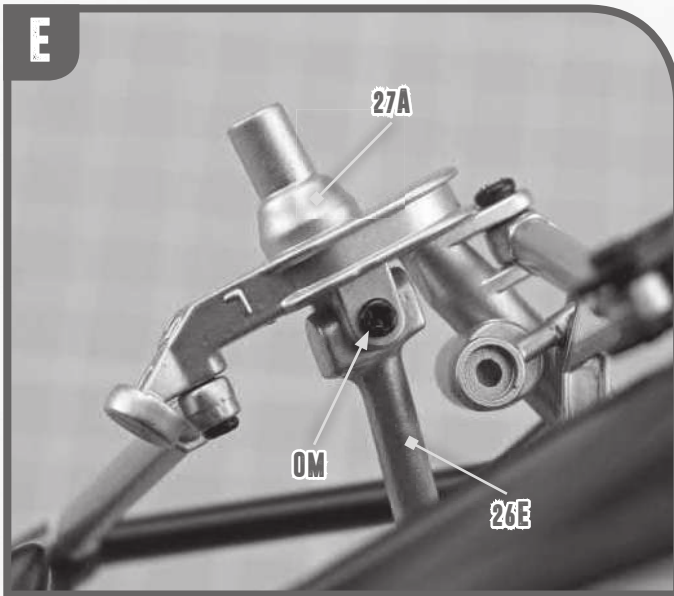
27 PARTS LIST



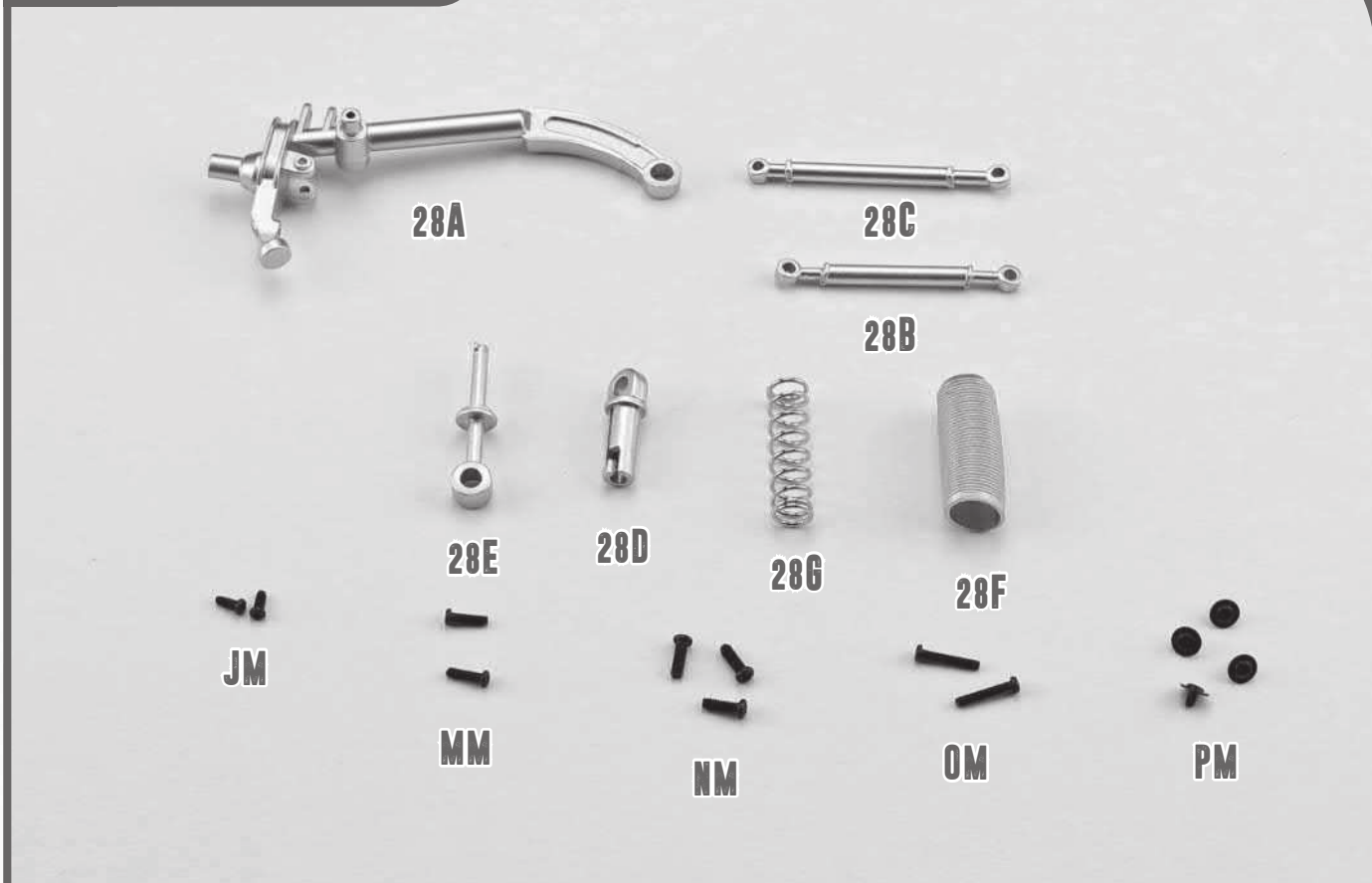
- 27A** Rear suspension left wishbone
- 27B** Rear suspension left lower arm
- 27C** Rear suspension left upper arm
- 27D** Shock absorber casing
- 27E** Shock absorber stem
- 27F** Shock absorber bellow
- 27G** Spring

- JM** 2 screws (2x5mm)
- MM** 2 screws (2x7mm)
- NM** 3 screws (2.3x7mm)
- OM** 2 screws (2x11mm)
- PM** 3 screws (2x3x6mm)





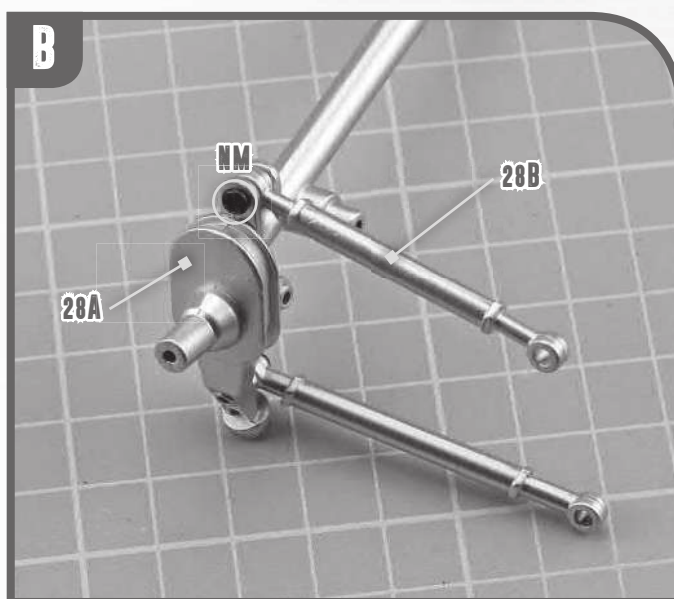
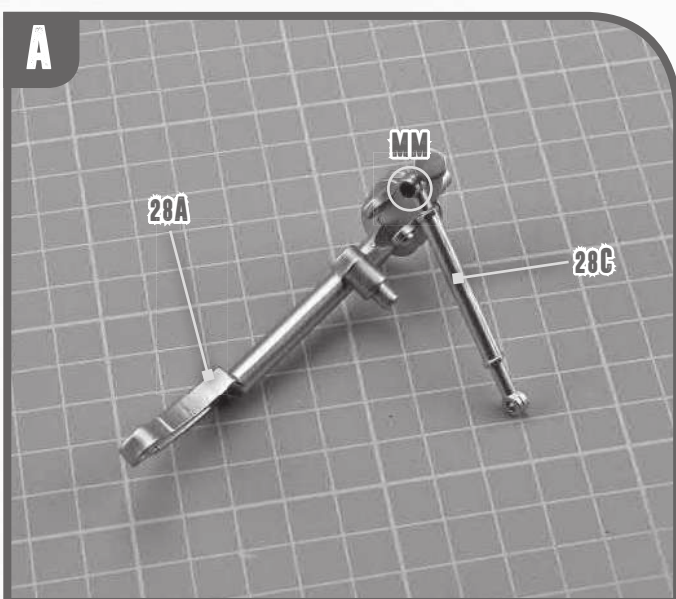
28 PARTS LIST

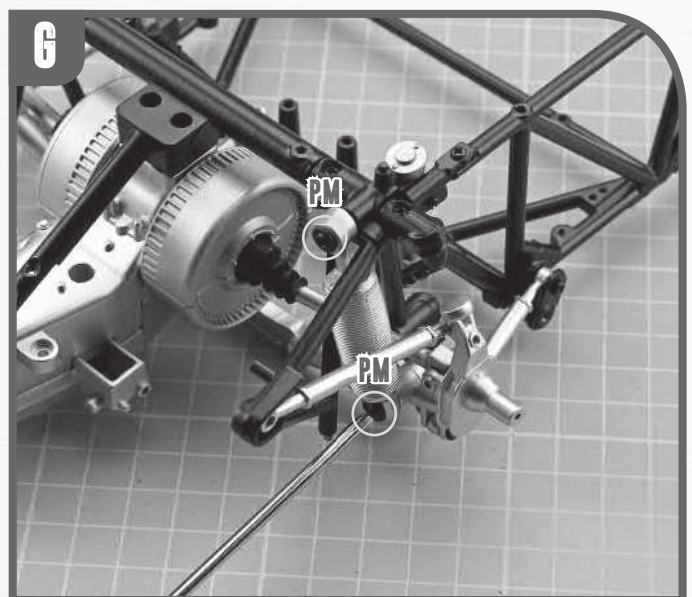
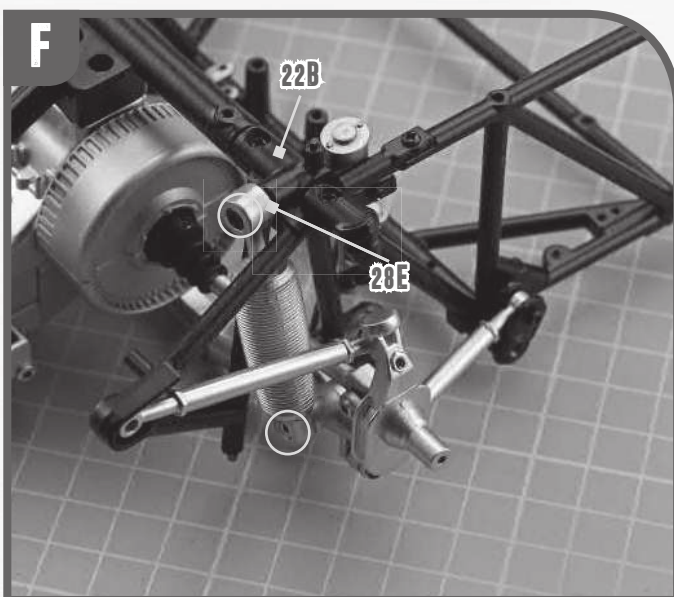
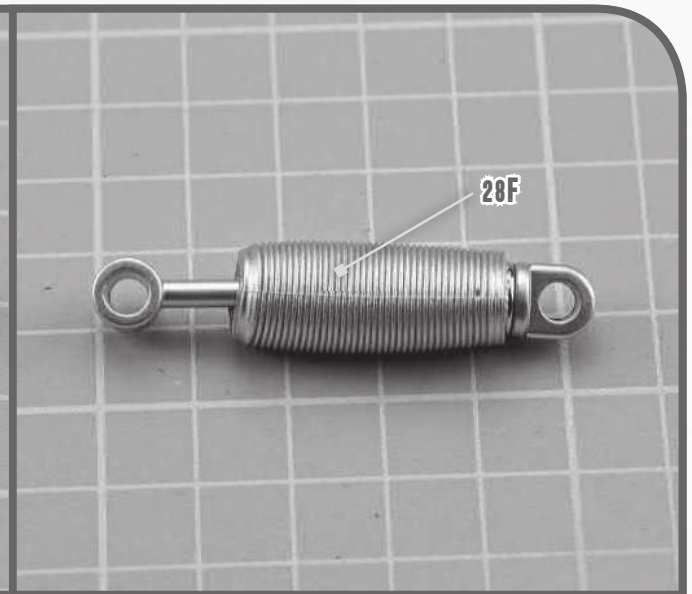
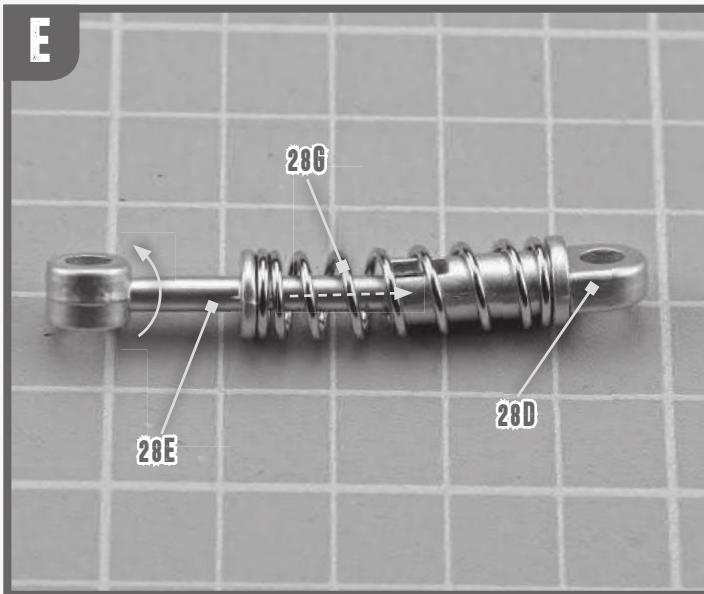
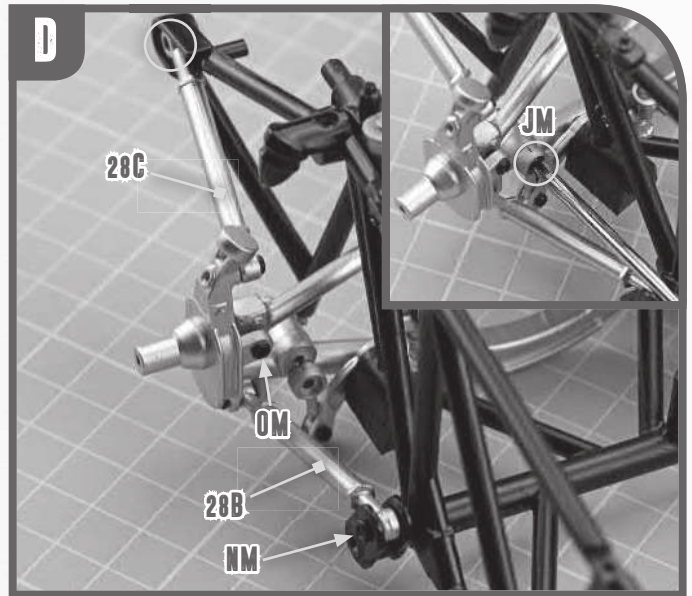
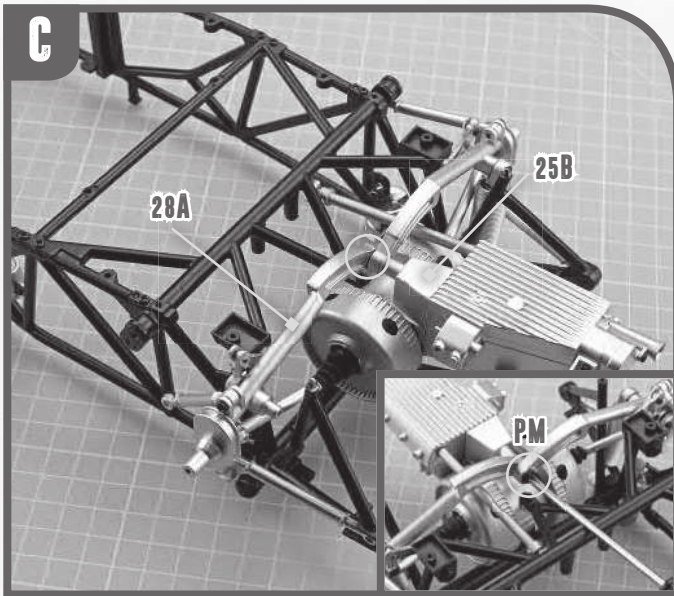


- 28A** Rear suspension right wishbone
- 28B** Right lower arm
- 28C** Right upper arm
- 28D** Shock absorber casing

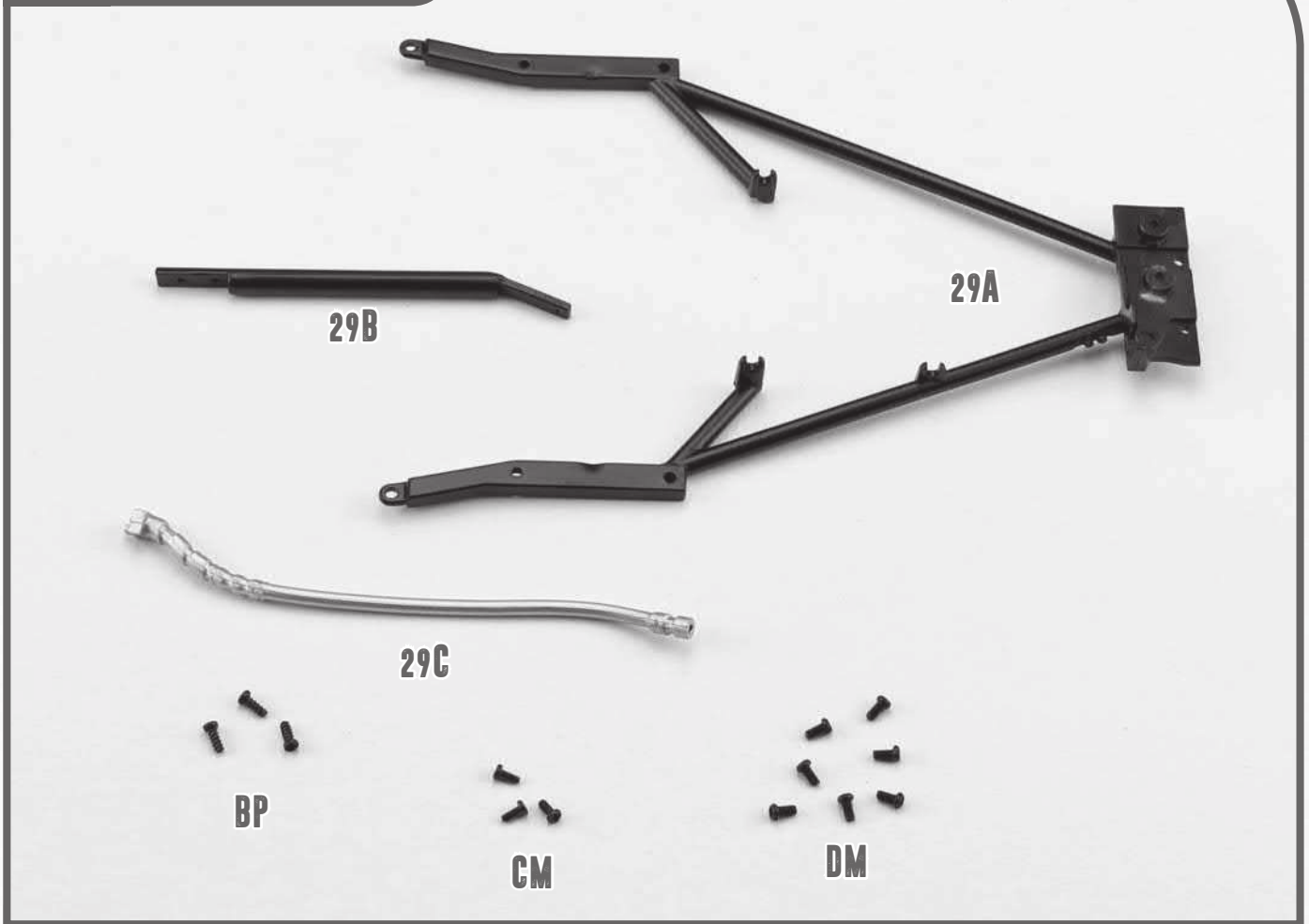
- 28E** Shock absorber stem
- 28F** Shock absorber bellow
- 28G** Spring

- JM** 2 screws (2x5mm)
- MM** 2 screws (2x7mm)
- NM** 3 screws (2.3x7mm)
- OM** 2 screws (2x11mm)
- PM** 4 screws (2x3x6mm)

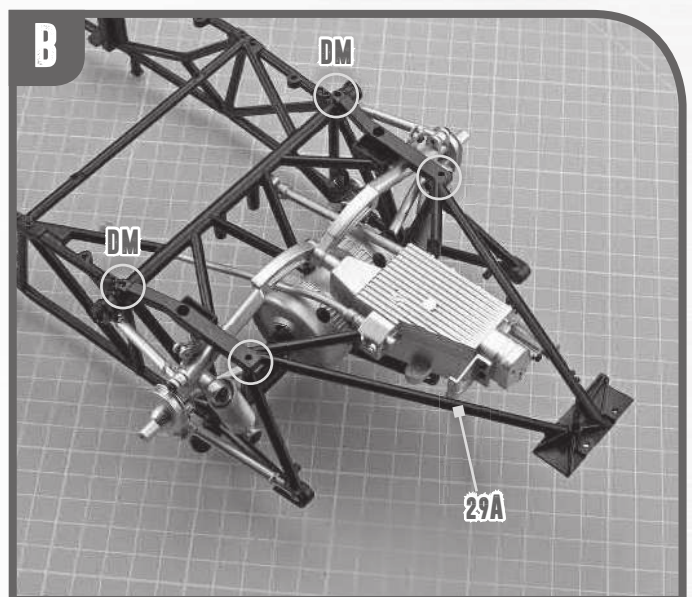
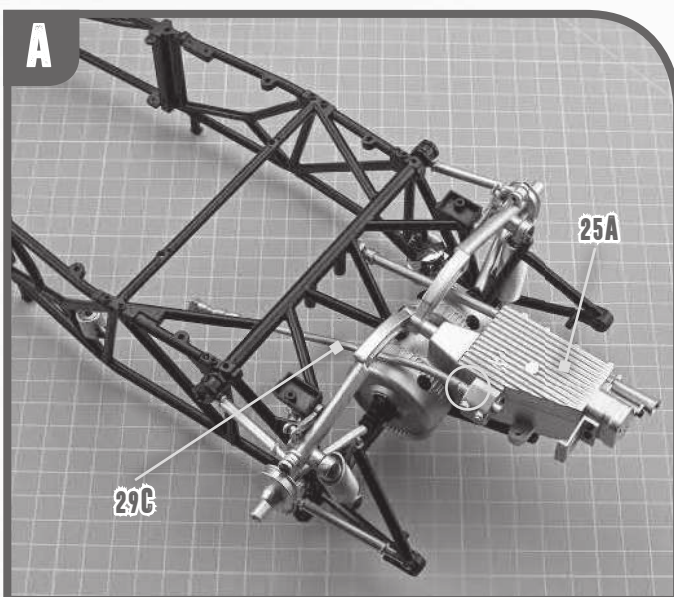


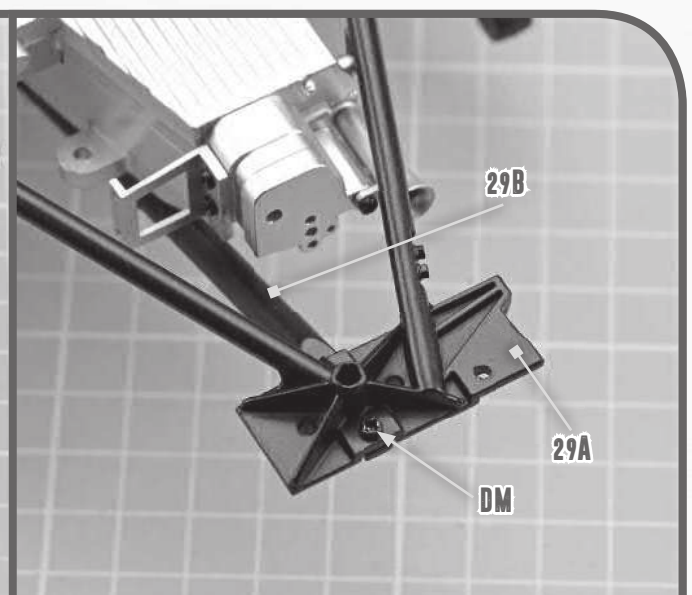
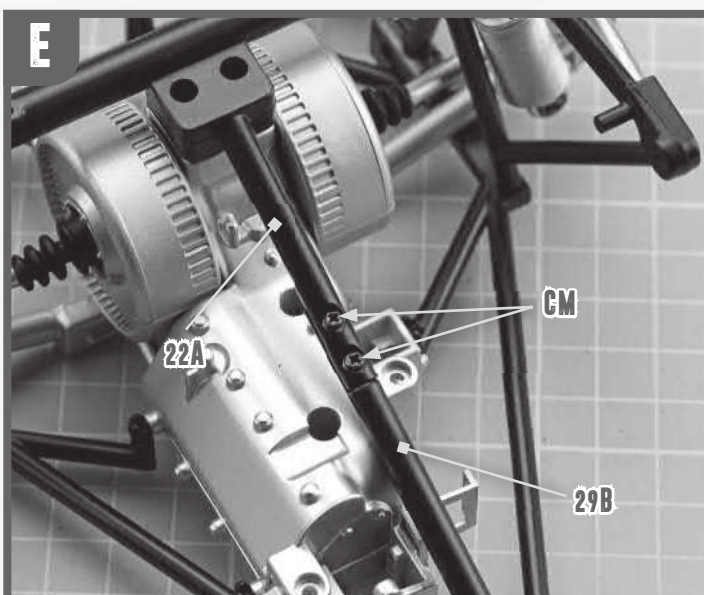
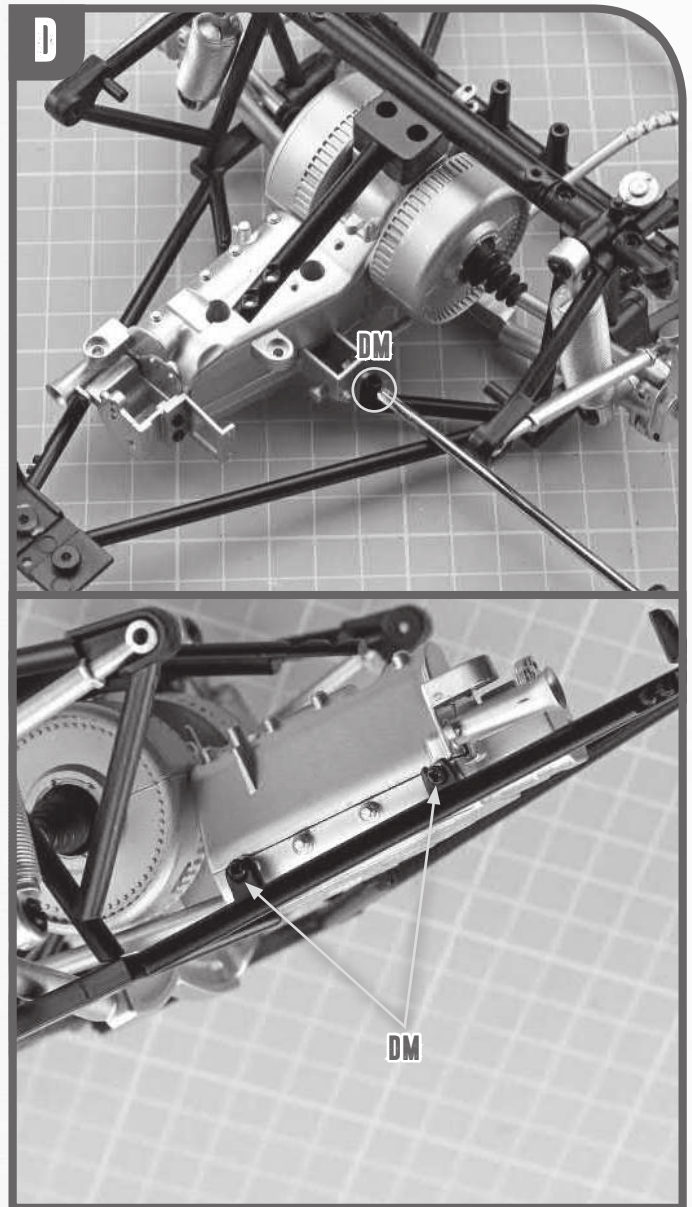
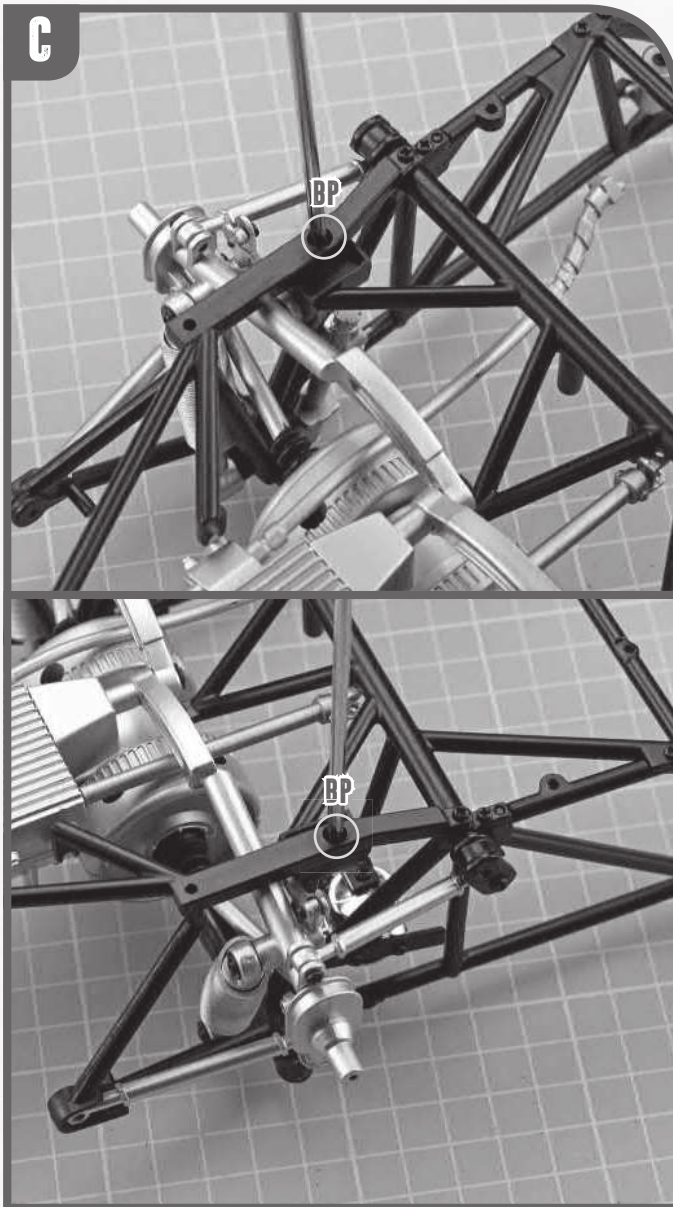


29 PARTS LIST



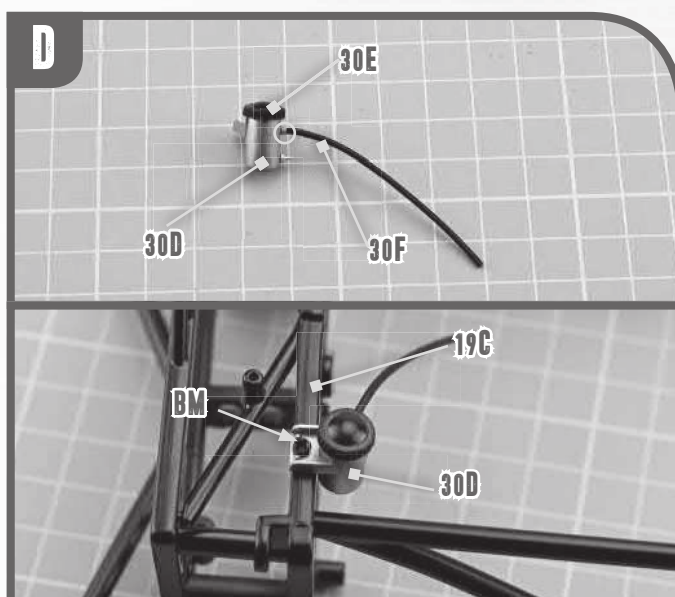
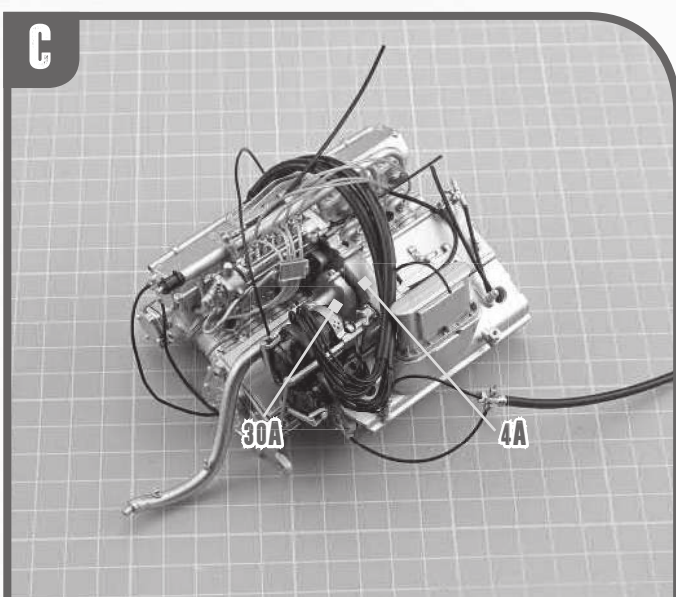
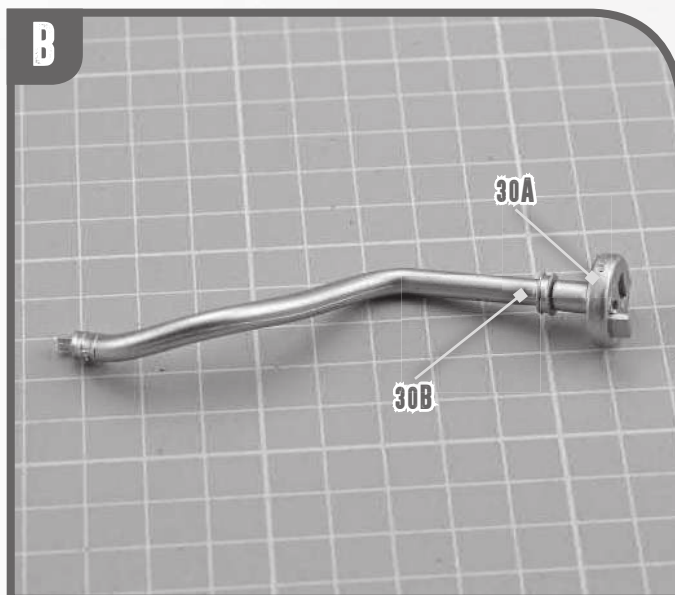
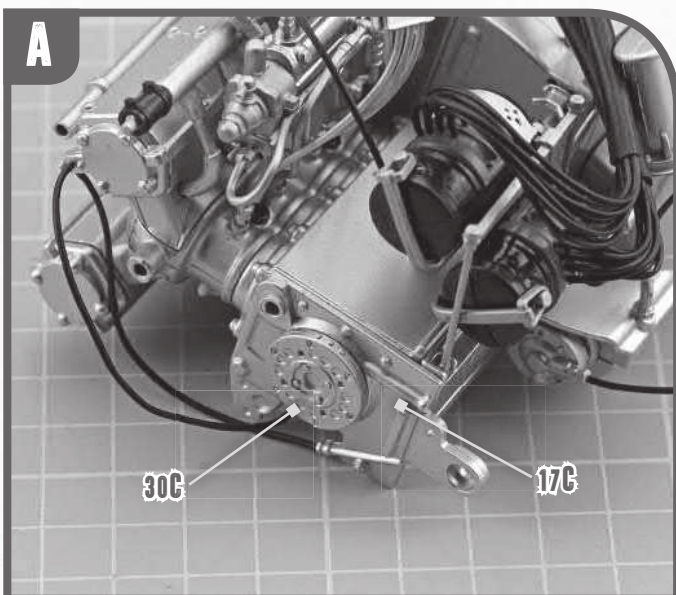
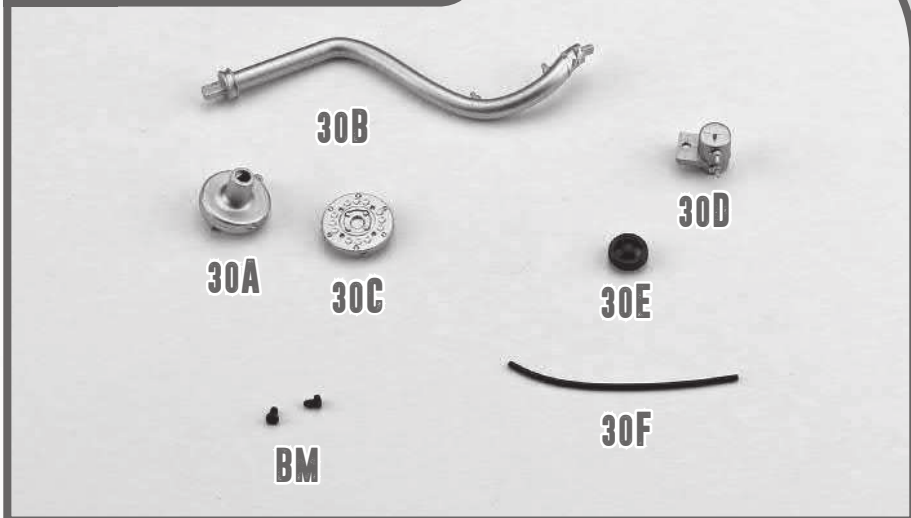
- | | |
|-------------------------------|------------------------------|
| 29A Rear subframe | BP 3 screws (2x5mm) |
| 29B Rear subframe tube | CM 3 screws (1.7x4mm) |
| 29C Gearbox lever | DM 7 screws (2x4mm) |



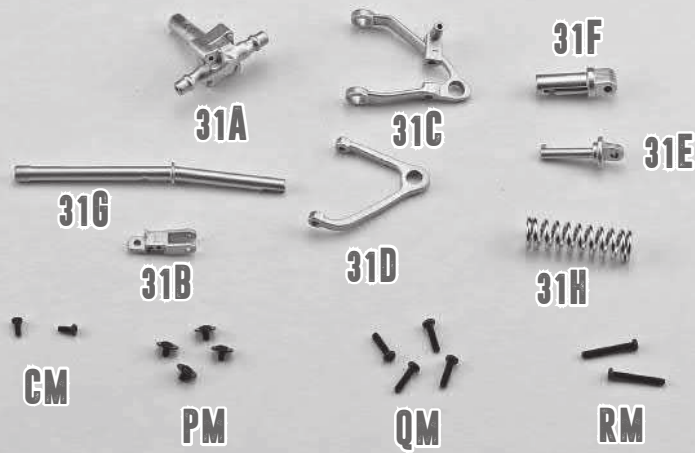


30 PARTS LIST

- 30A** Water pump
- 30B** Pipe
- 30C** Crankshaft front coupling
- 30D** Fuel pump oil reservoir
- 30E** Reservoir cap
- 30F** Oil hose
- BM** 2 screws (1.7x3mm)

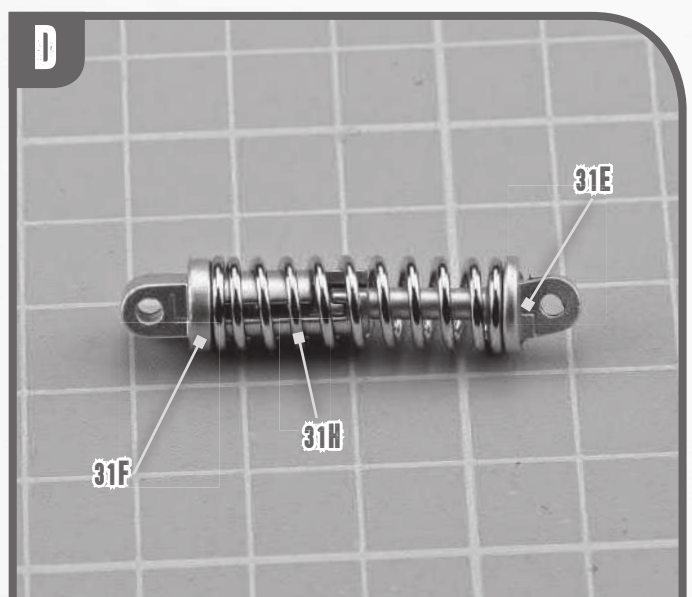
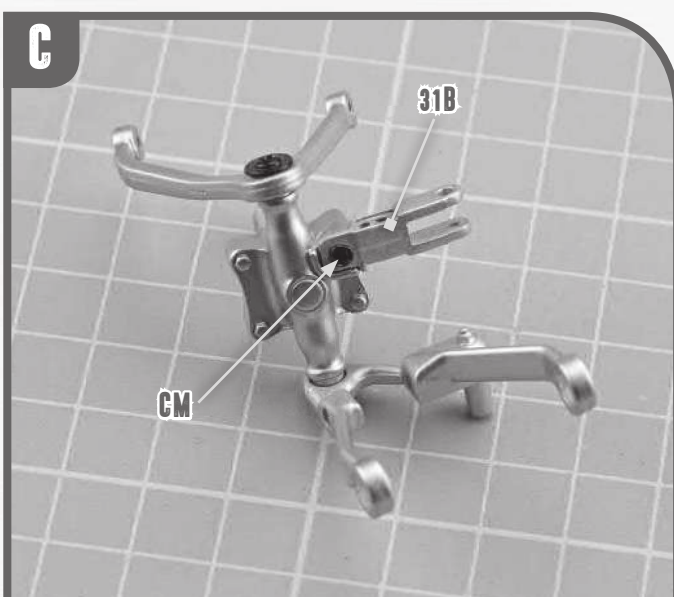
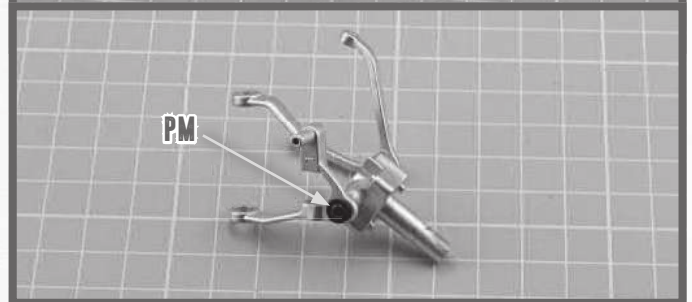
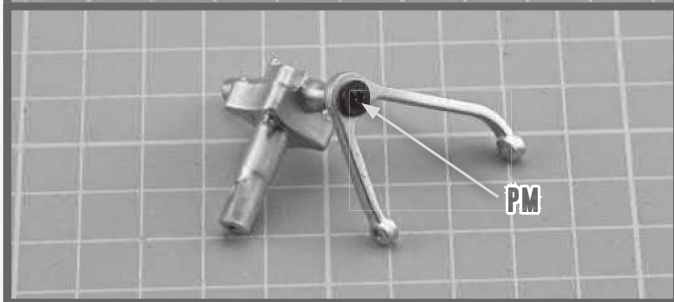
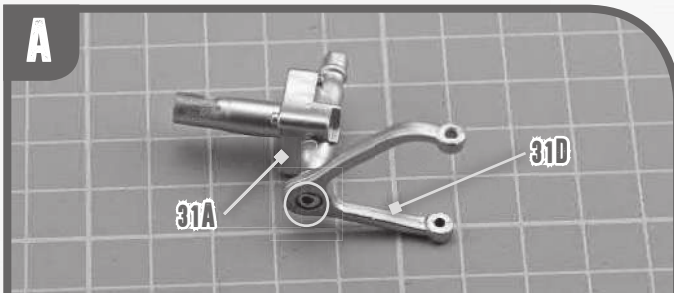


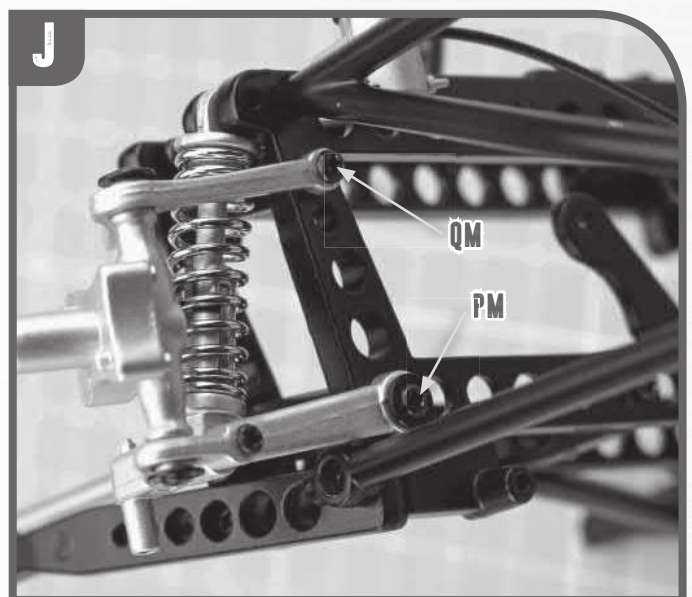
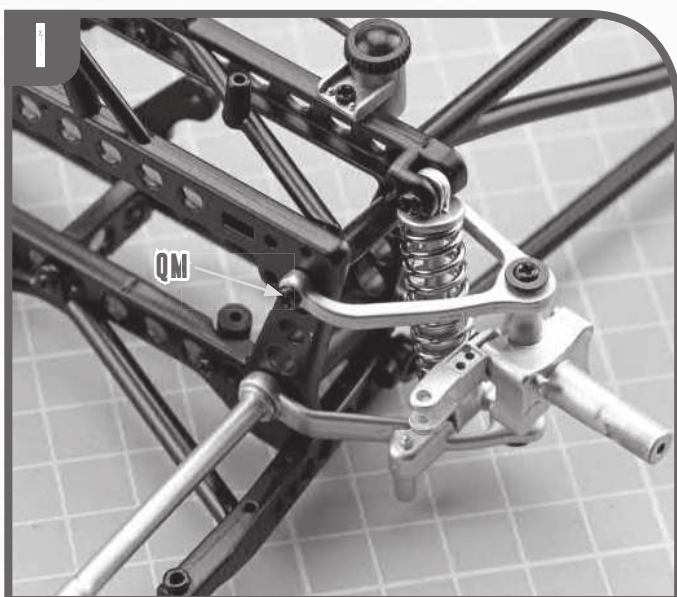
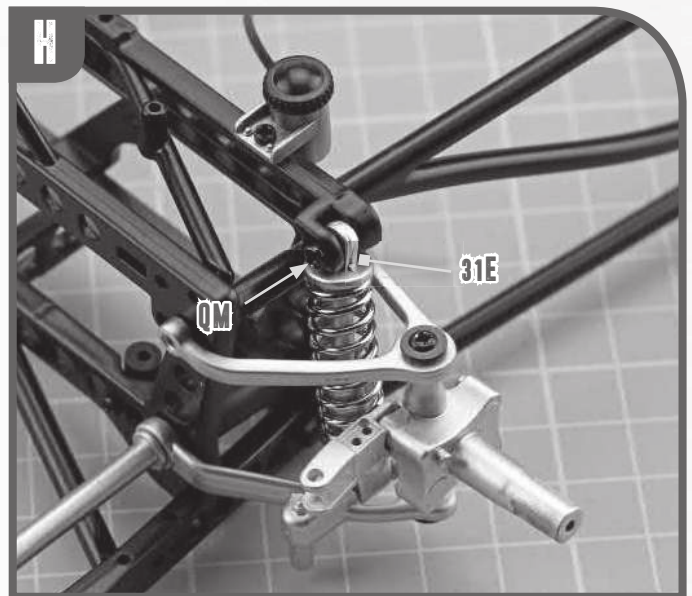
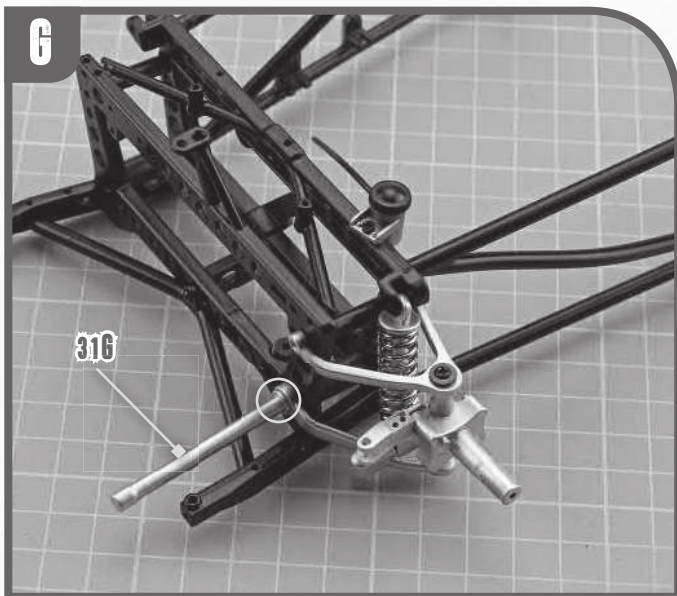
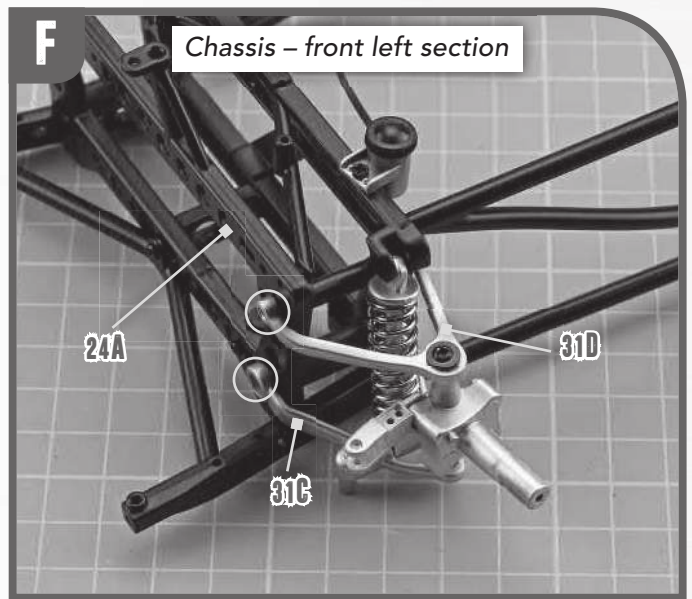
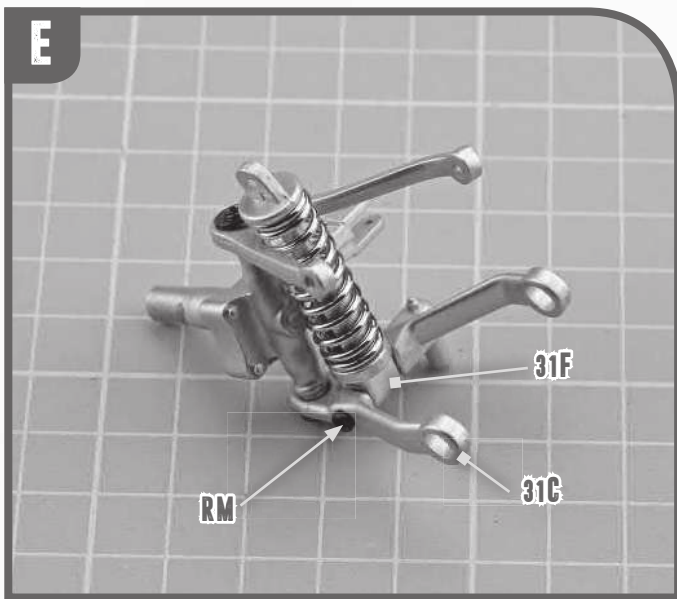
31 PARTS LIST



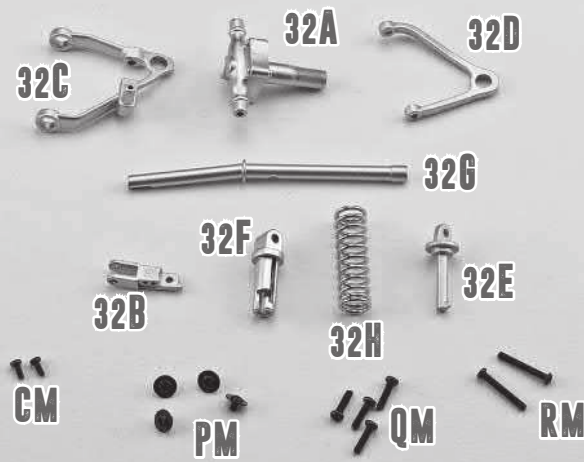
- 31A** Spindle part A
- 31B** Spindle part B
- 31C** Lower suspension arm
- 31D** Upper suspension arm
- 31E** Shock absorber stem
- 31F** Shock absorber casing
- 31G** Torsion bar
- 31H** Spring

- CM** 2 screws (1.7x4mm)
- PM** 4 screws (2x3x6mm)
- QM** 4 screws (2x8mm)
- RM** 2 screws (2x14mm)



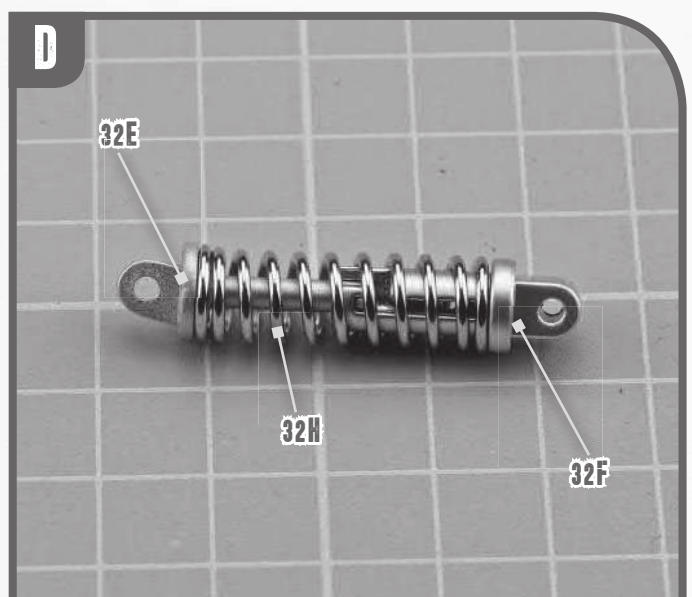
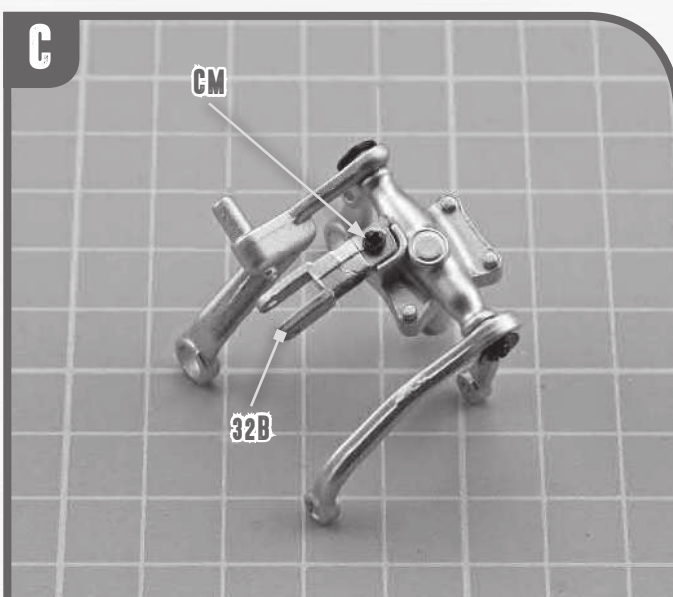
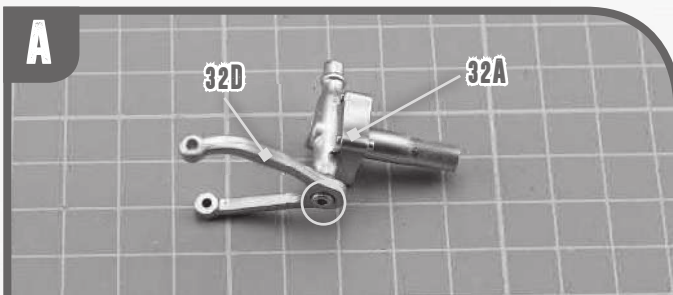


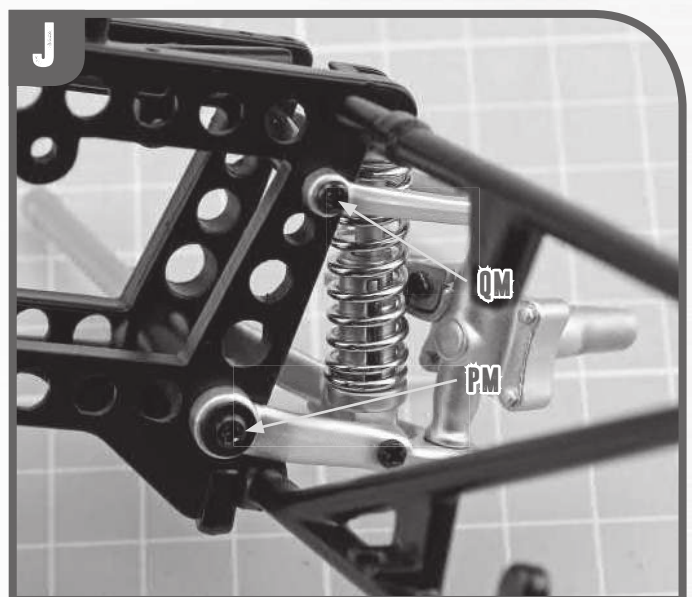
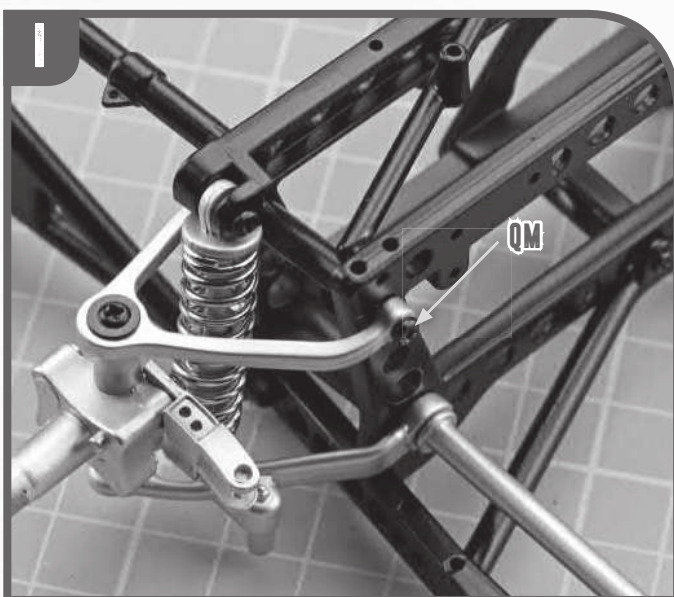
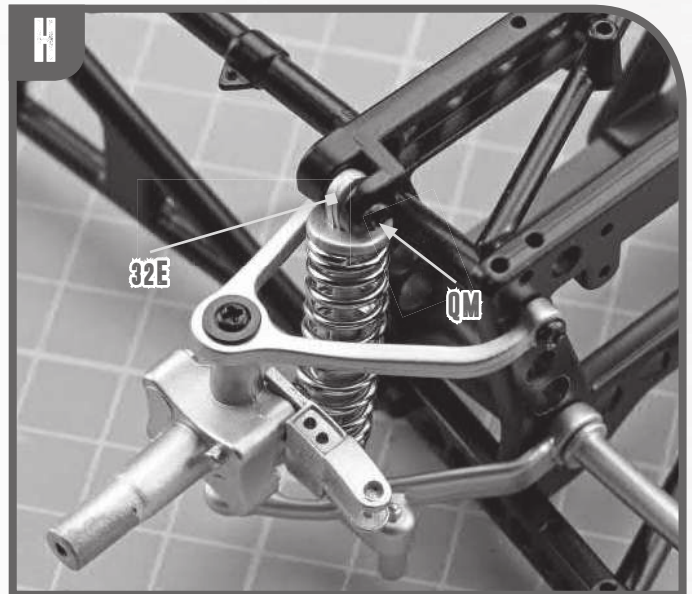
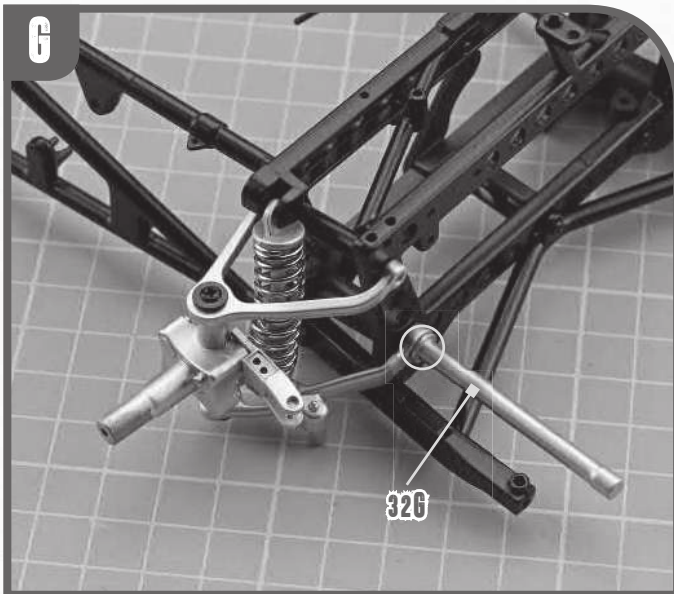
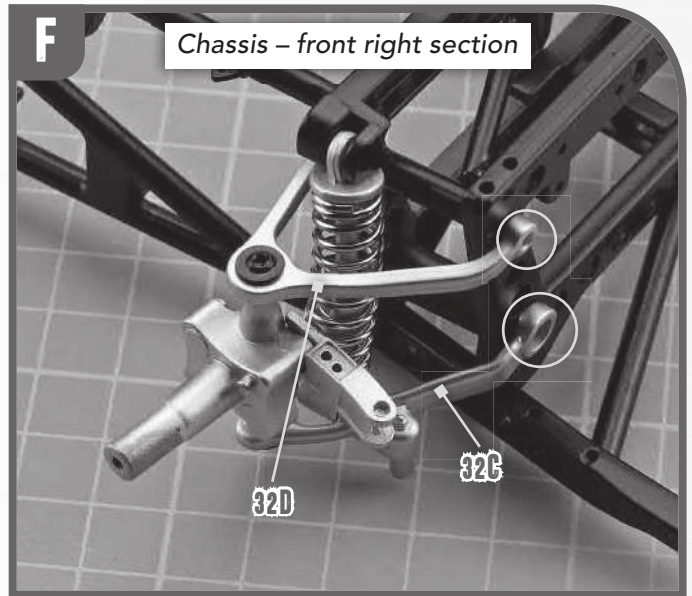
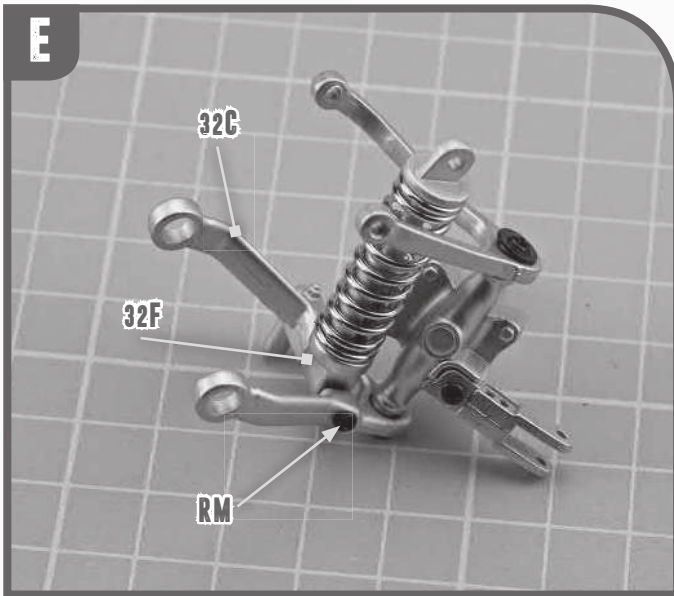
32 PARTS LIST



- 32A** Spindle part A
- 32B** Spindle part B
- 32C** Lower suspension arm
- 32D** Upper suspension arm
- 32E** Shock absorber stem
- 32F** Shock absorber casing
- 32G** Torsion bar
- 32H** Spring

- CM** 2 screws (1.7x4mm)
- PM** 4 screws (2x3x6mm)
- QM** 4 screws (2x8mm)
- RM** 2 screws (2x14mm)

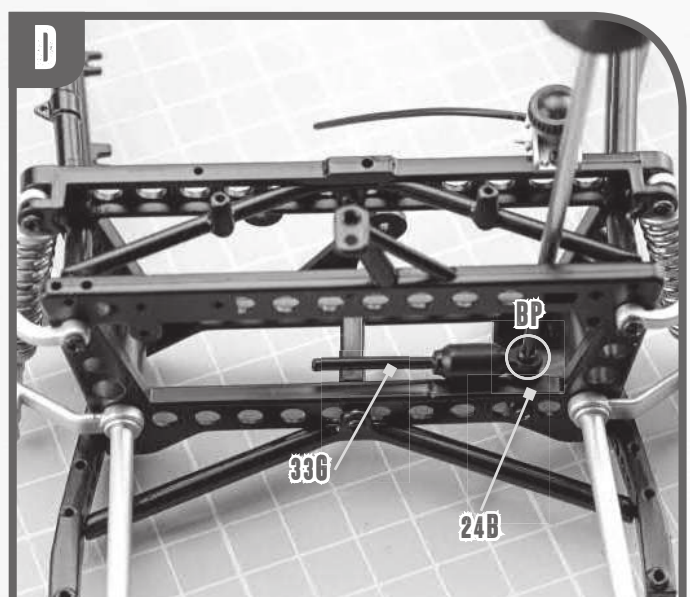
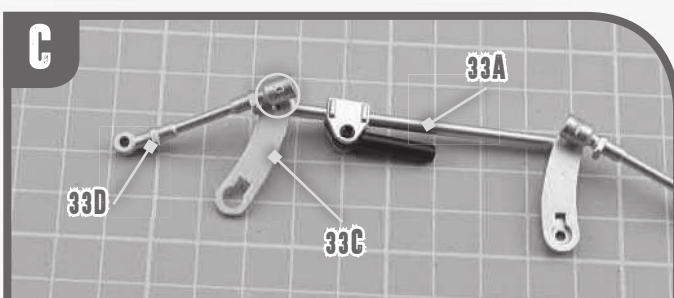
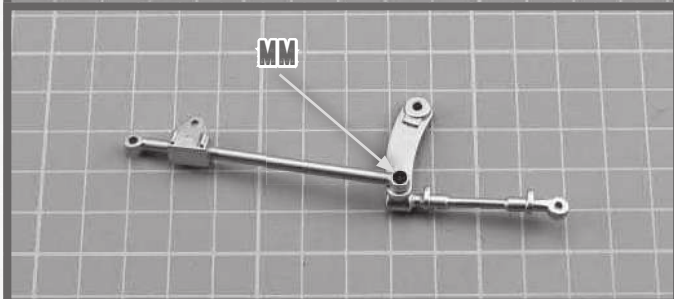
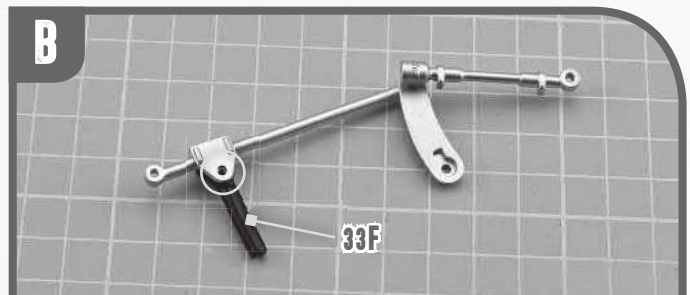
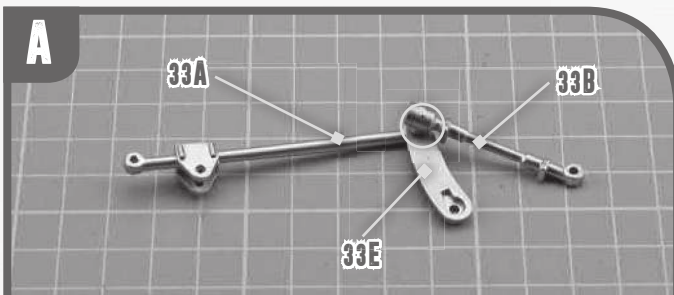
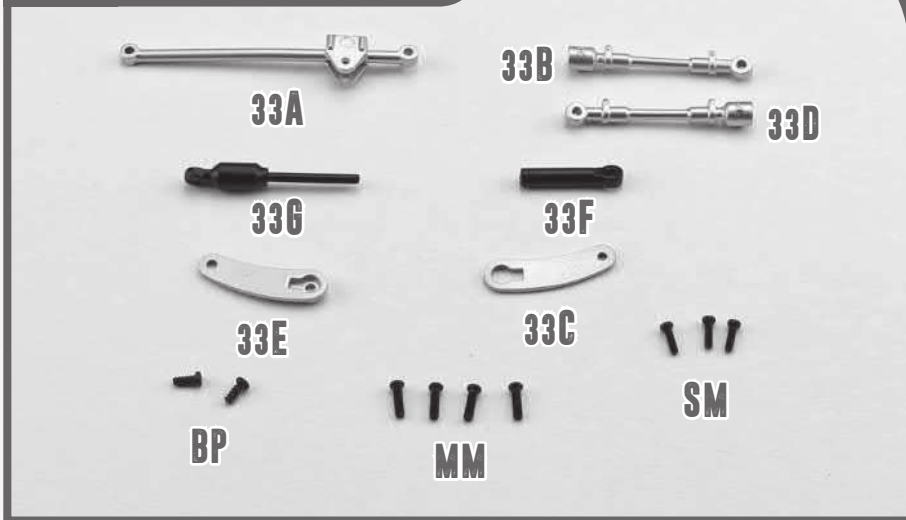




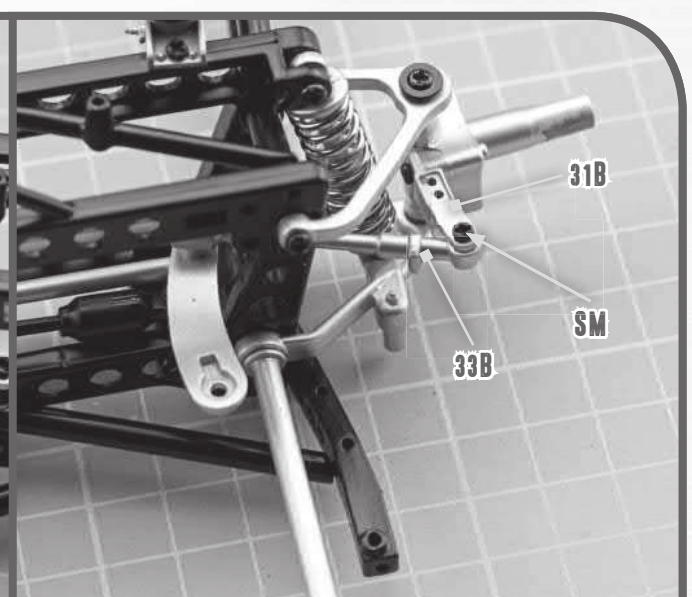
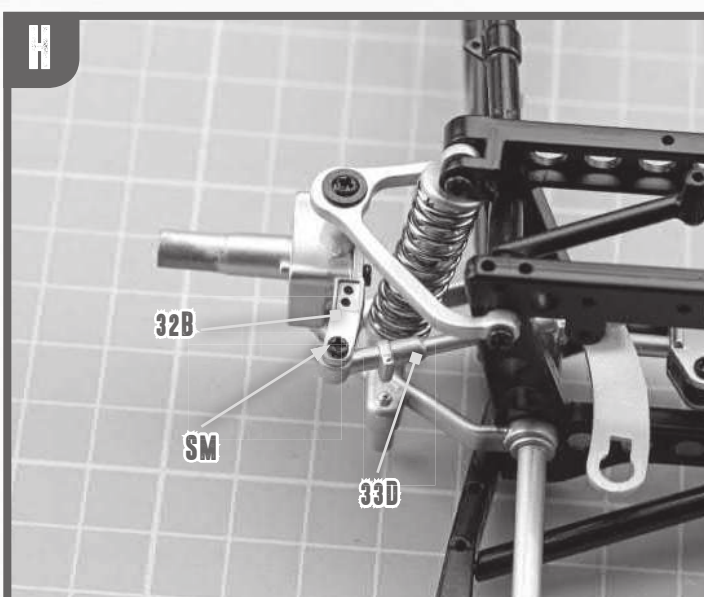
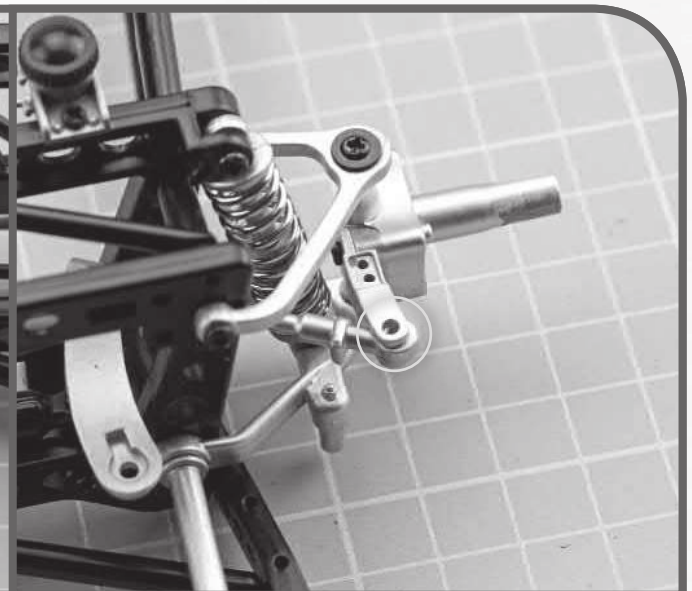
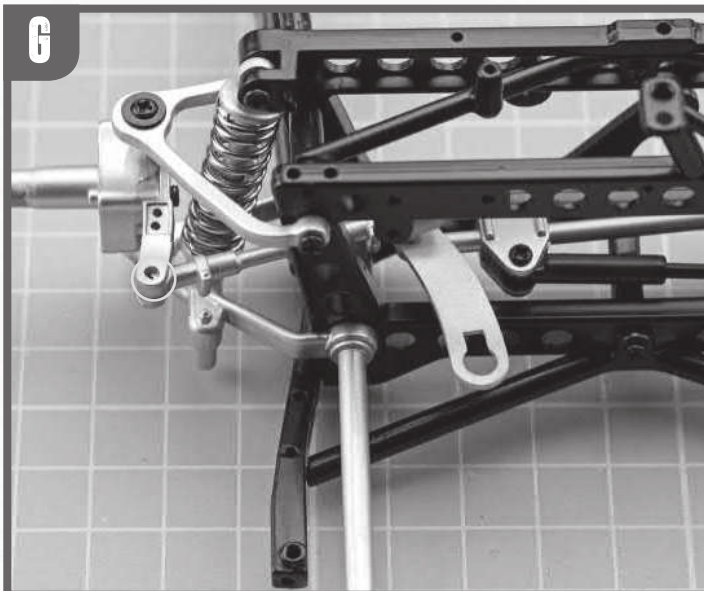
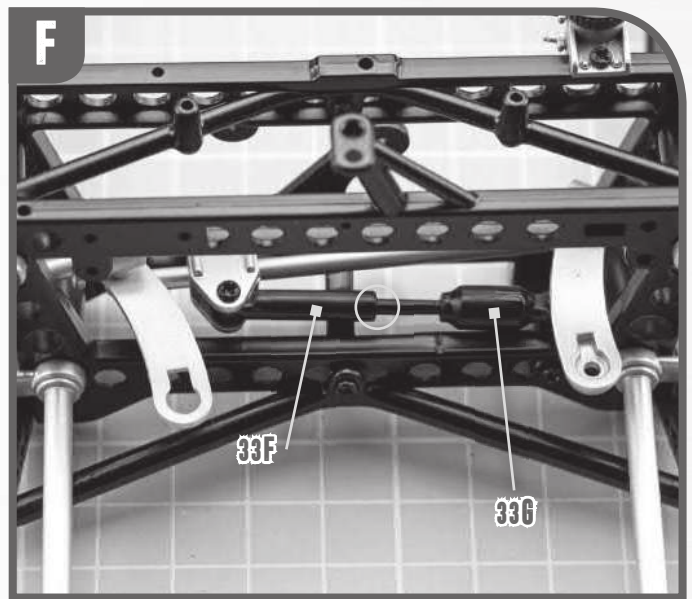
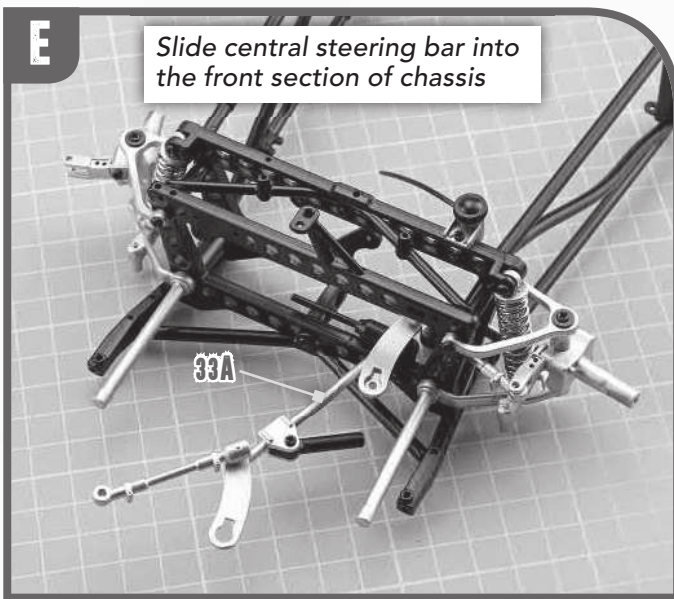
33 PARTS LIST

- 33A** Central steering bar
- 33B** Left tie rod
- 33C** Right plate
- 33D** Right tie rod
- 33E** Left plate
- 33F** Arm 1
- 33G** Arm 2

- BP** 2 screws (2x5mm)
- MM** 4 screws (2x7mm)
- SM** 3 screws (1.7x6mm)



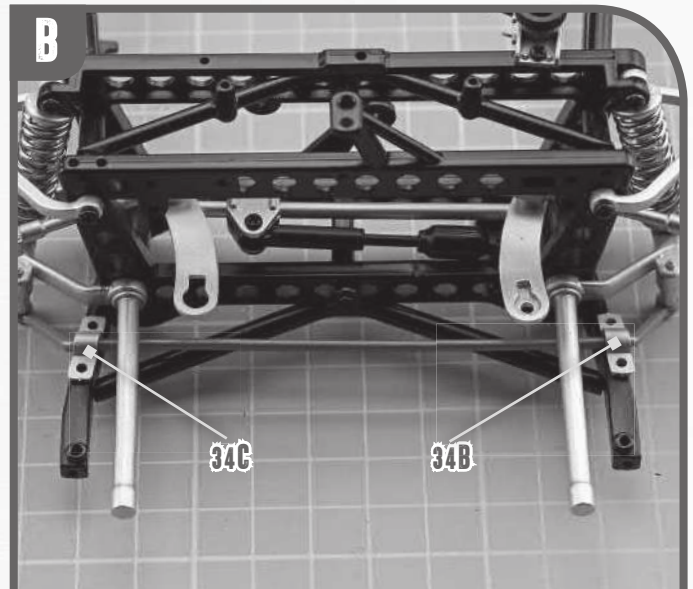
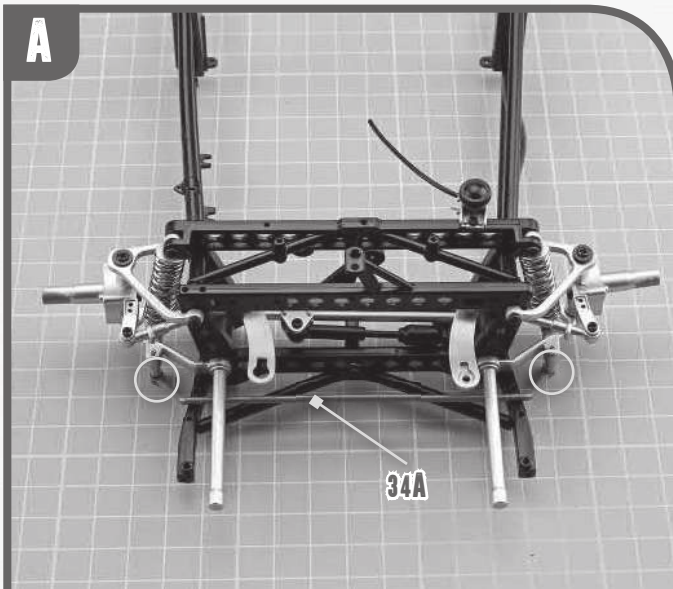
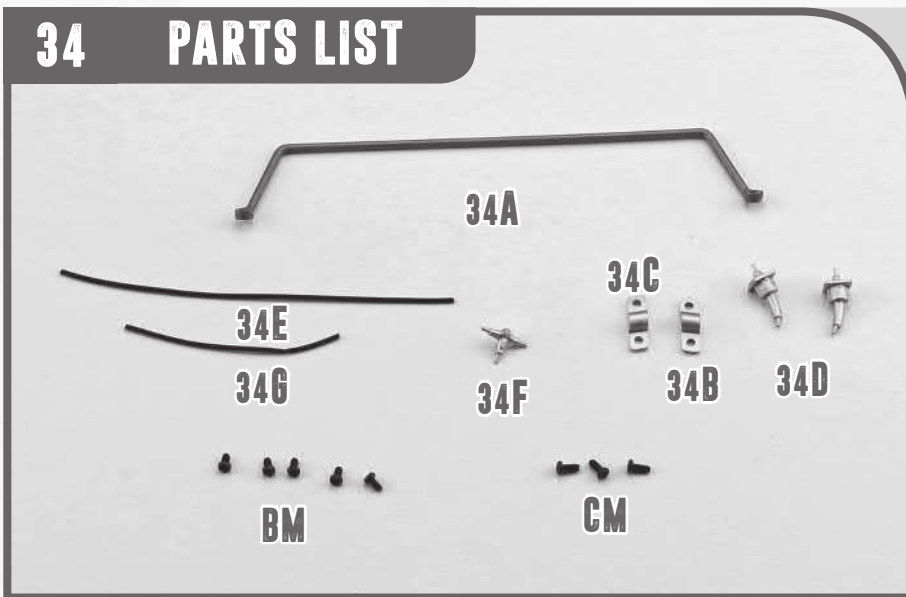
stepbystep #33



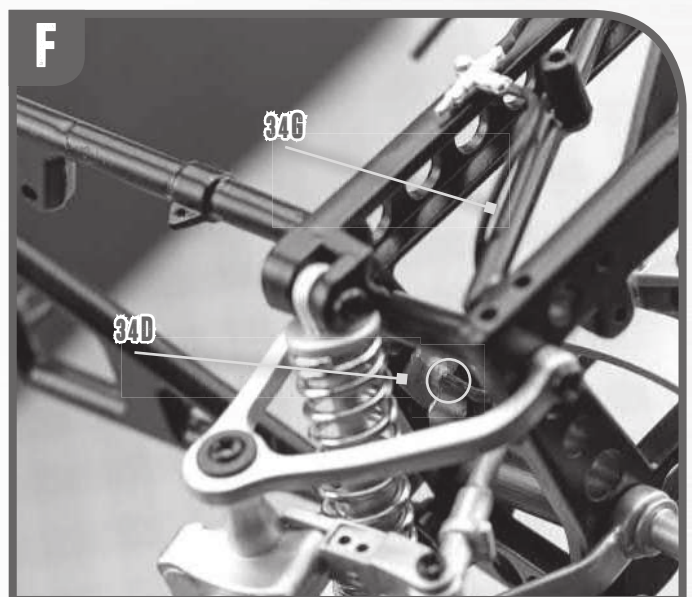
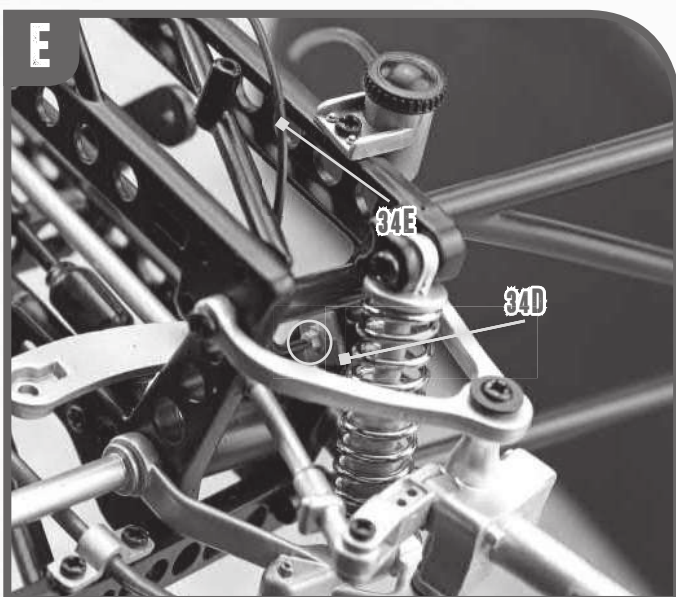
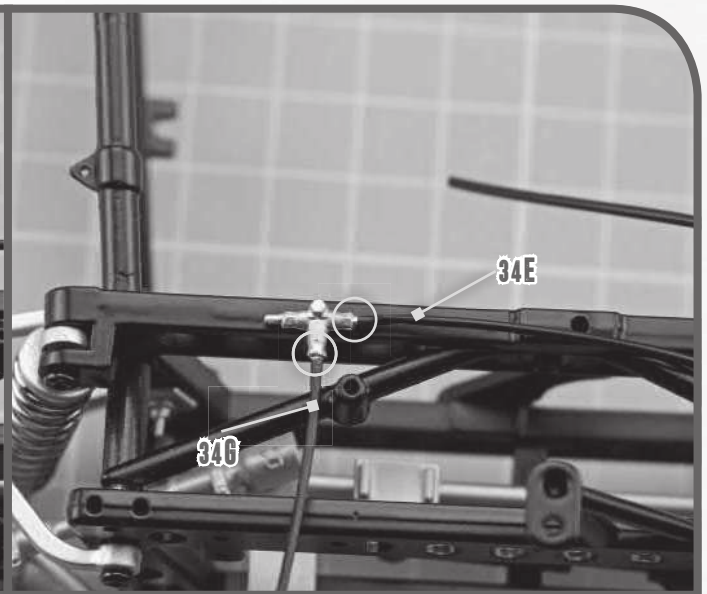
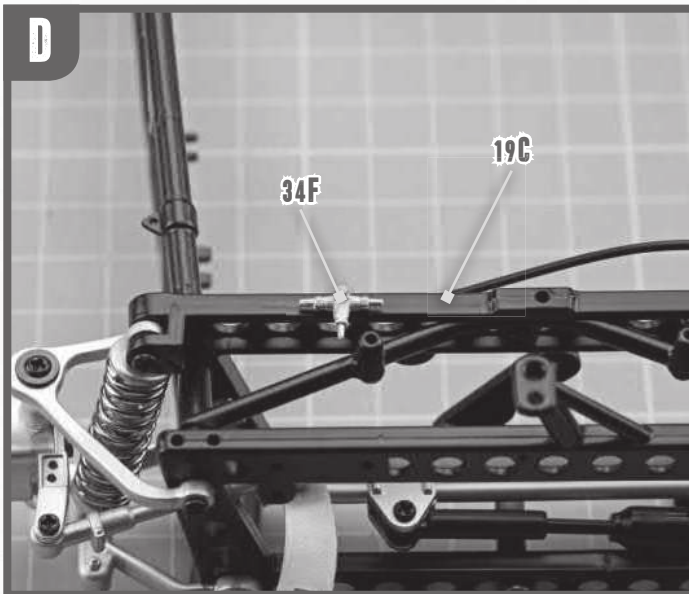
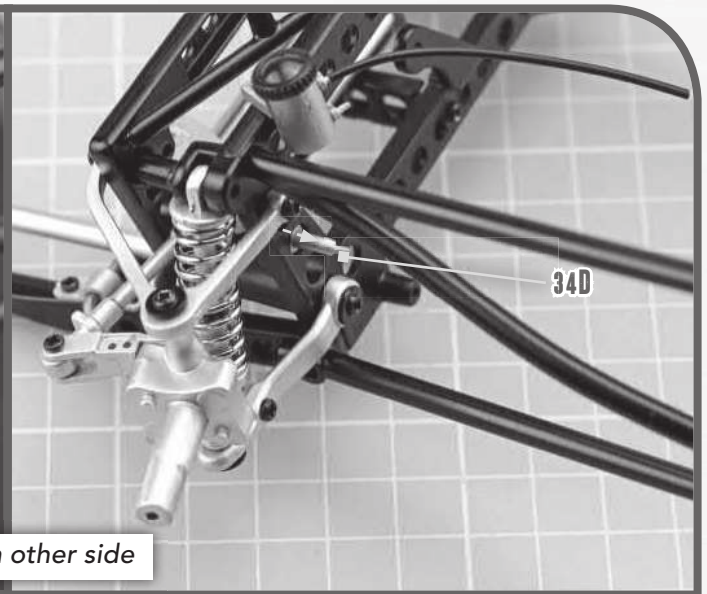
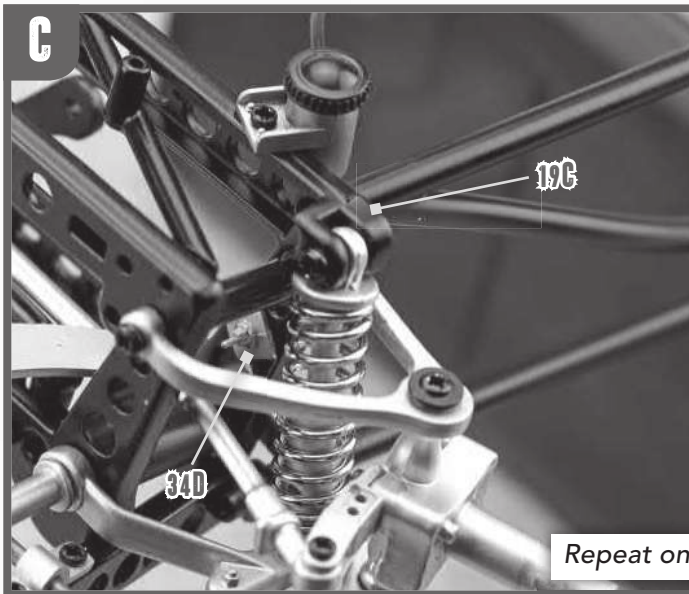
34 PARTS LIST

- 34A** Front axle stabilizer bar
- 34B** Left bracket
- 34C** Right bracket
- 34D** Brake cables links (x2)
- 34E** Left brake cable
- 34F** Brake distributor
- 34G** Right brake cable

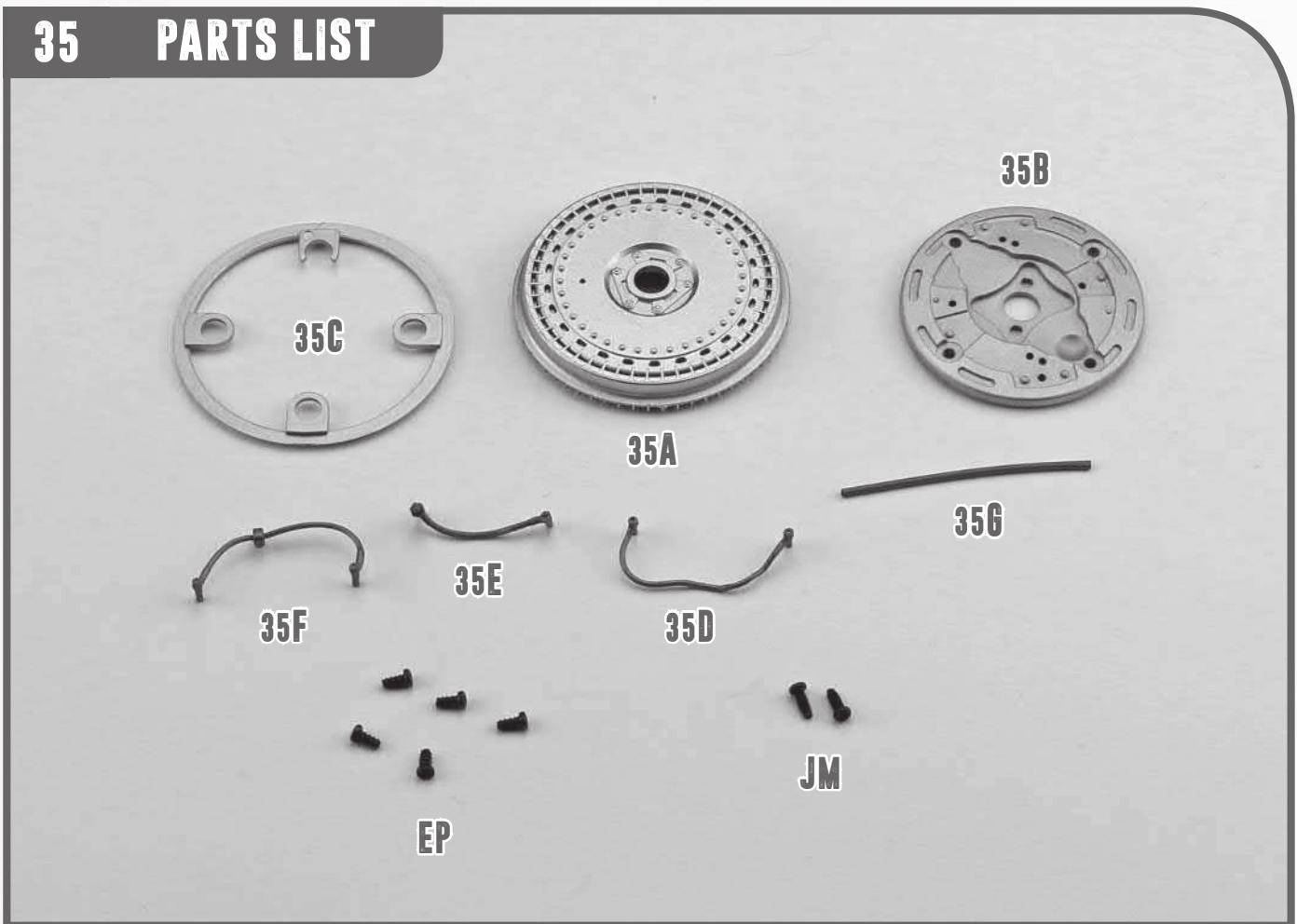
- BM** 5 screws (1.7x3mm)
- CM** 3 screws (1.7x4mm)



stepbystep #34



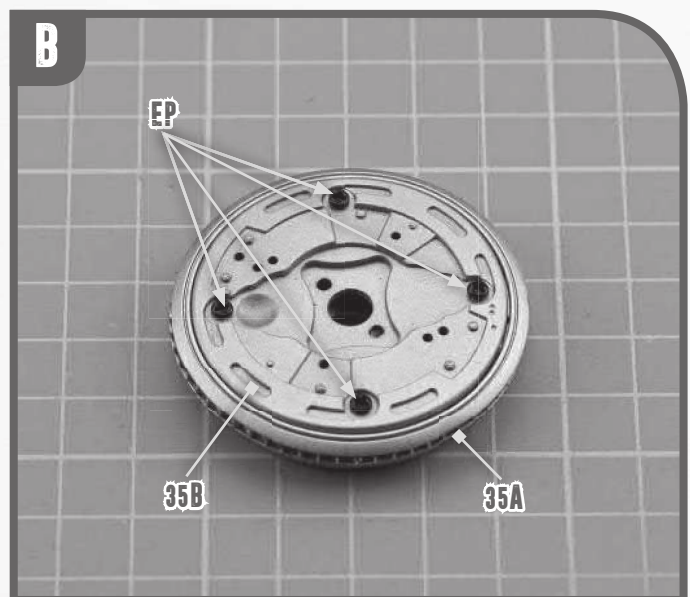
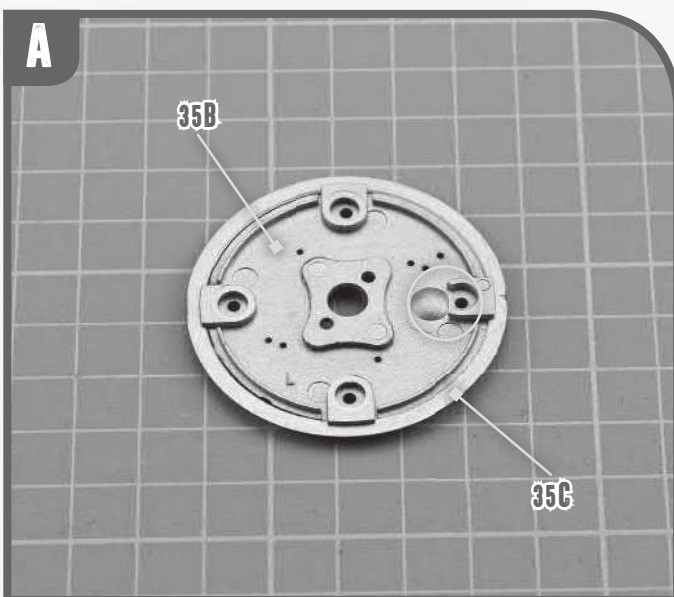
35 PARTS LIST



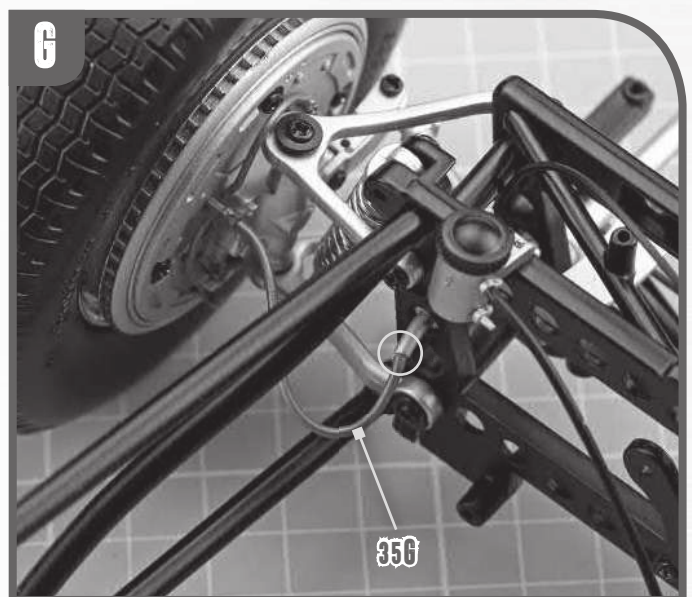
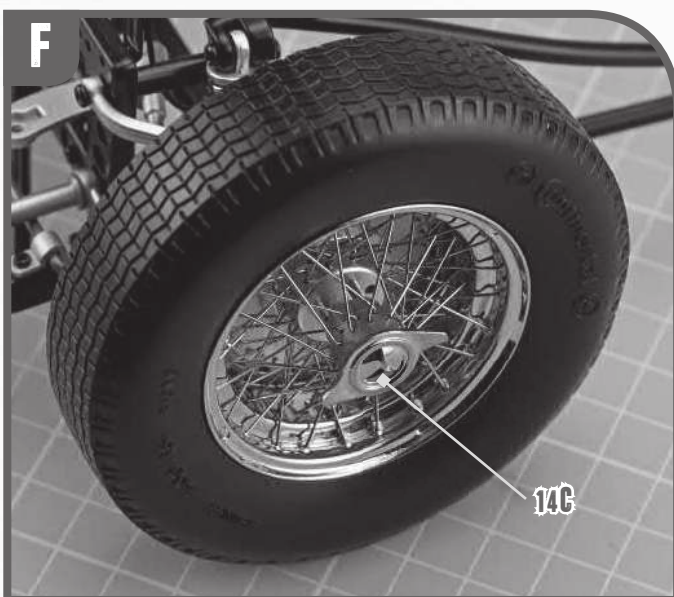
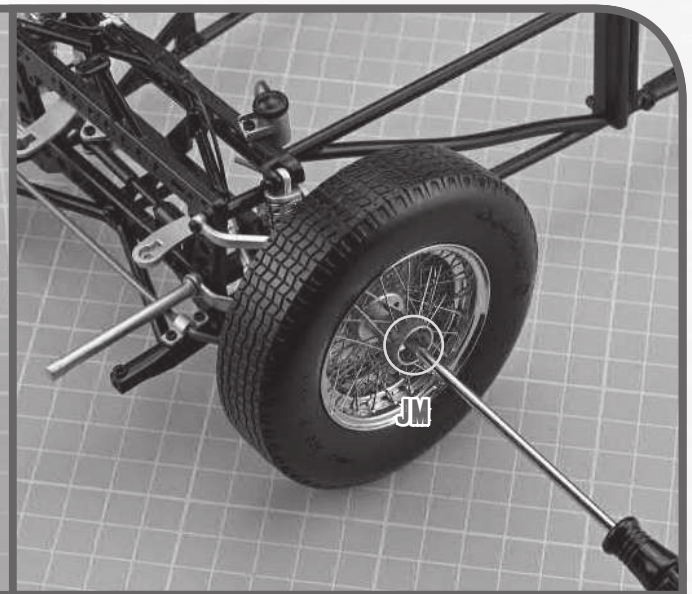
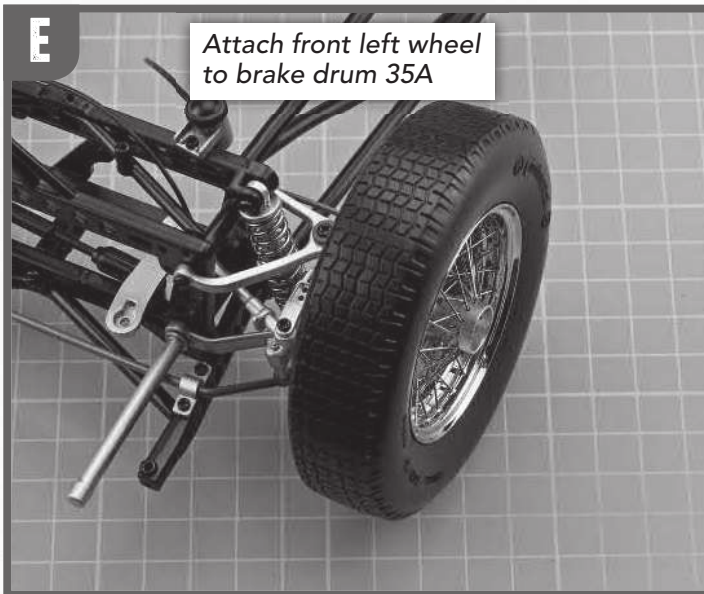
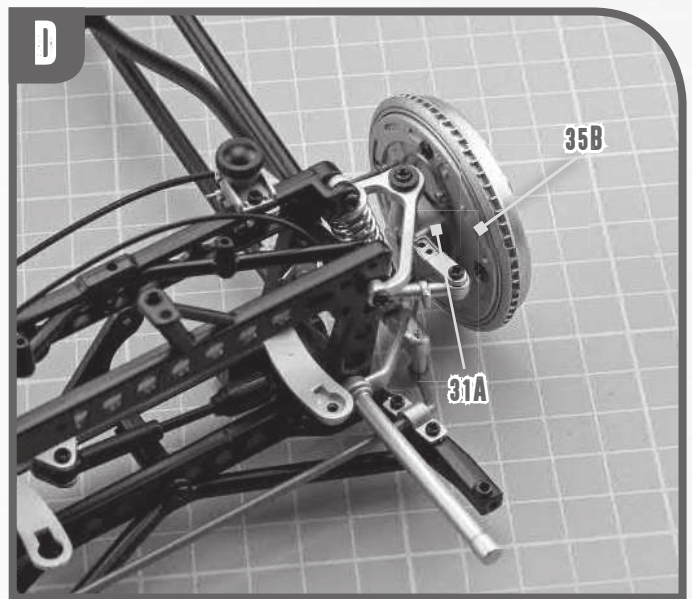
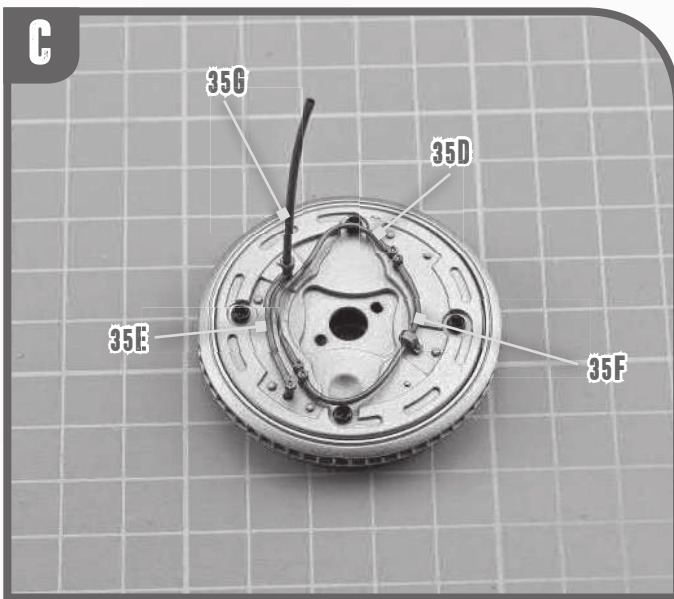
- 35A** Brake drum
- 35B** Brake plate part A
- 35C** Brake plate part B
- 35D** Brake drum cable 1

- 35E** Brake drum cable 2
- 35F** Brake drum cable 3
- 35G** Brake drum cable 4

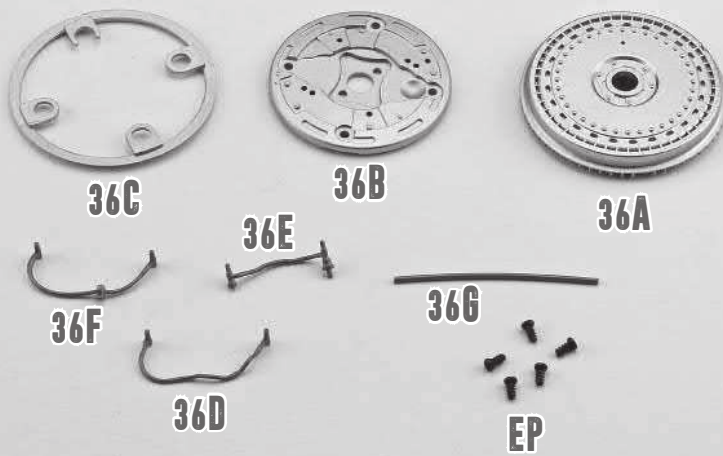
- EP** 5 screws (2x4mm)
- JM** 2 screws (2x5mm)



stepbystep #35

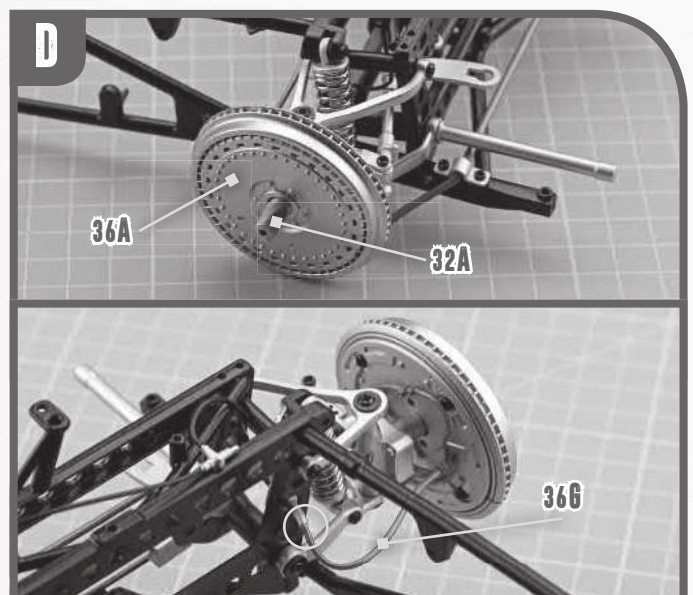
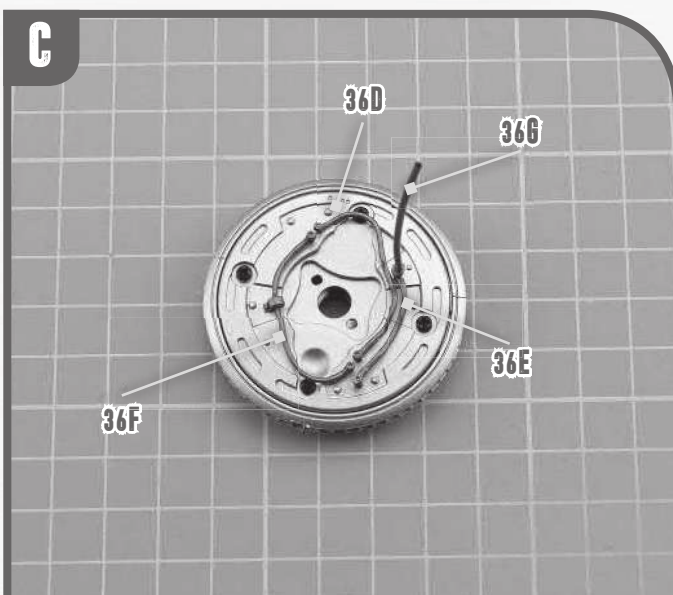
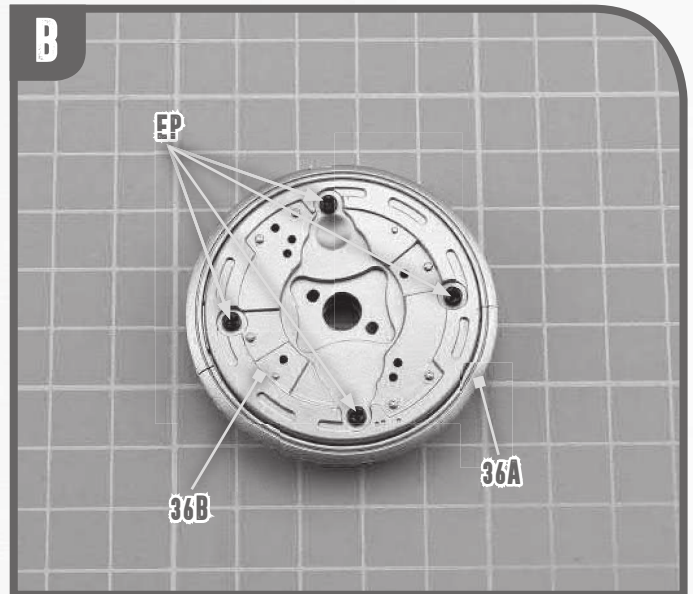
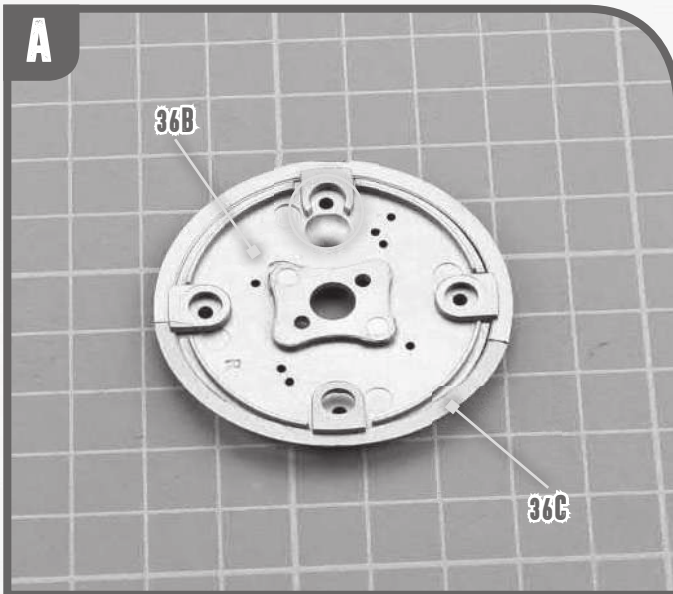


36 PARTS LIST



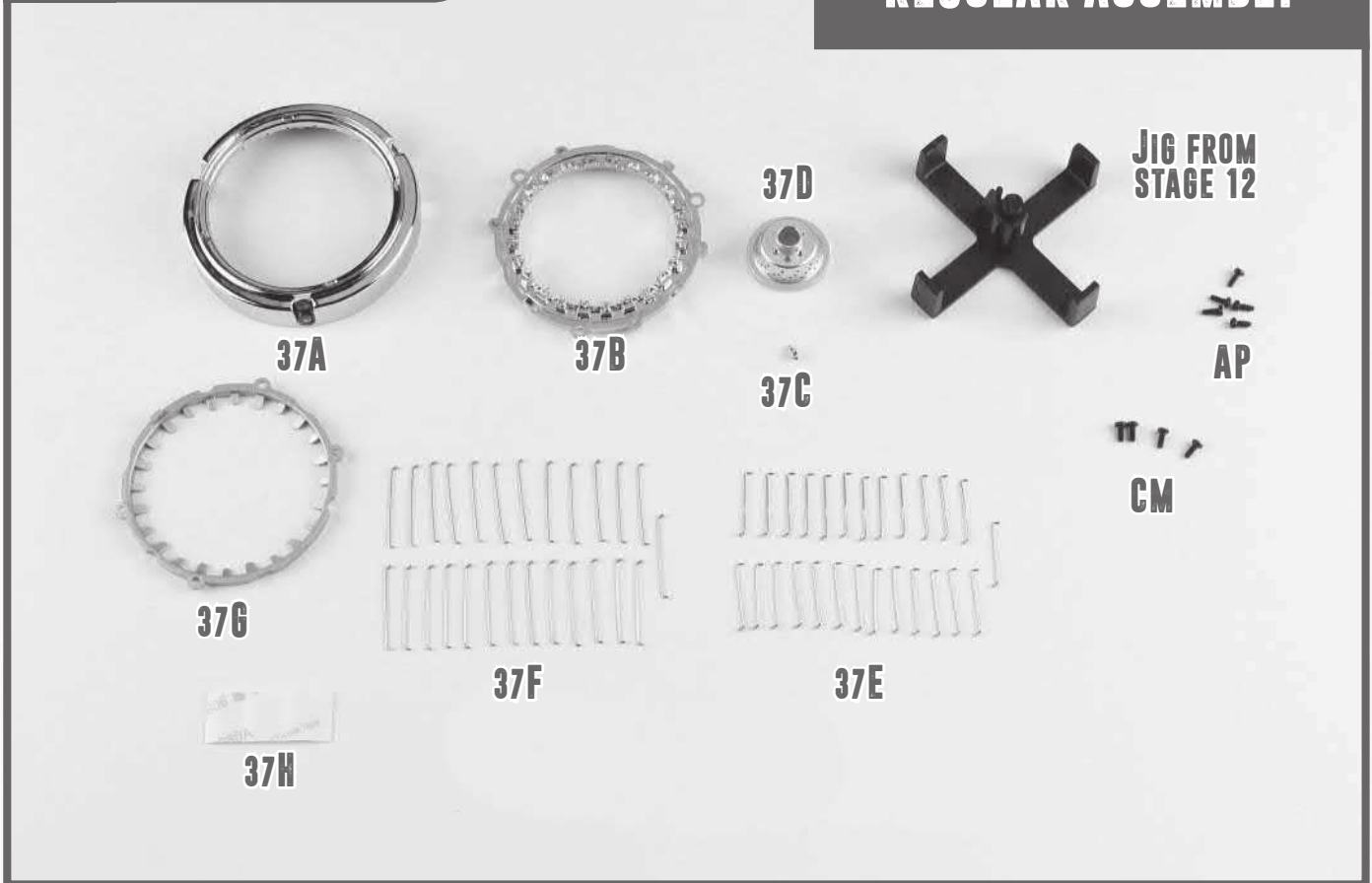
- 36A** Brake drum
- 36B** Brake plate part A
- 36C** Brake plate part B
- 36D** Brake drum cable 1
- 36E** Brake drum cable 2
- 36F** Brake drum cable 3
- 36G** Brake drum cable 4

EP 5 screws (2x4mm)



37 PARTS LIST

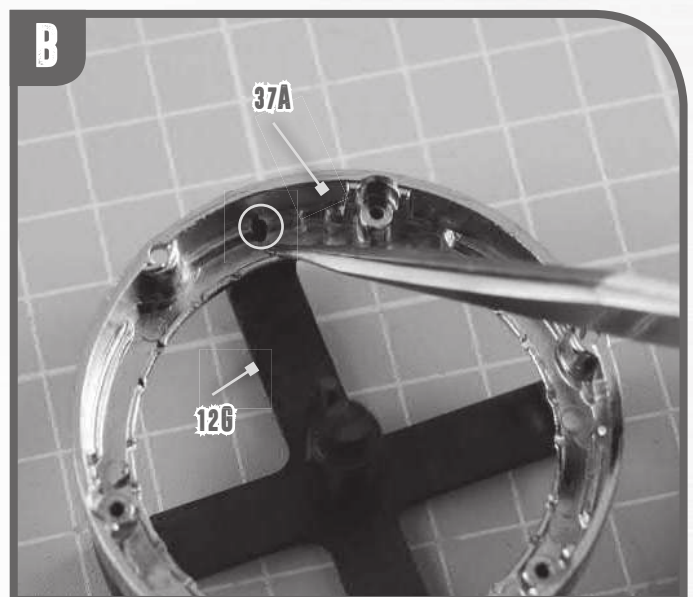
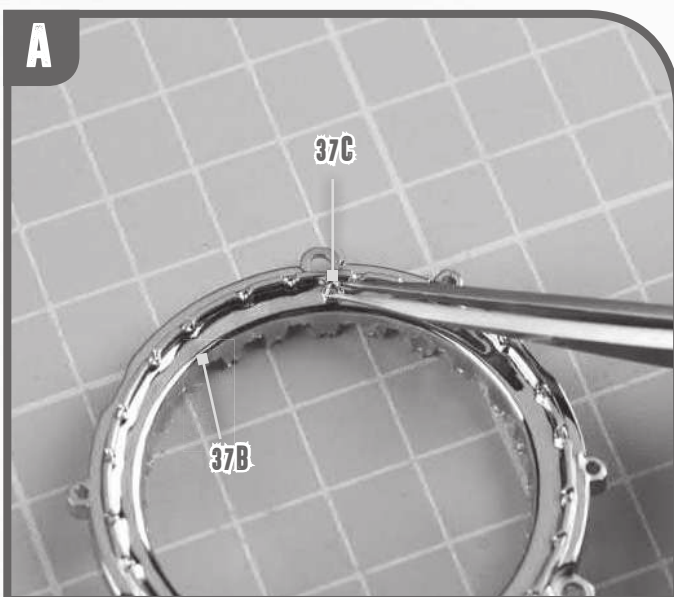
REGULAR ASSEMBLY



- 37A** Outer rim
- 37B** Central ring 1
- 37C** Inflation valve
- 37D** Hub 1

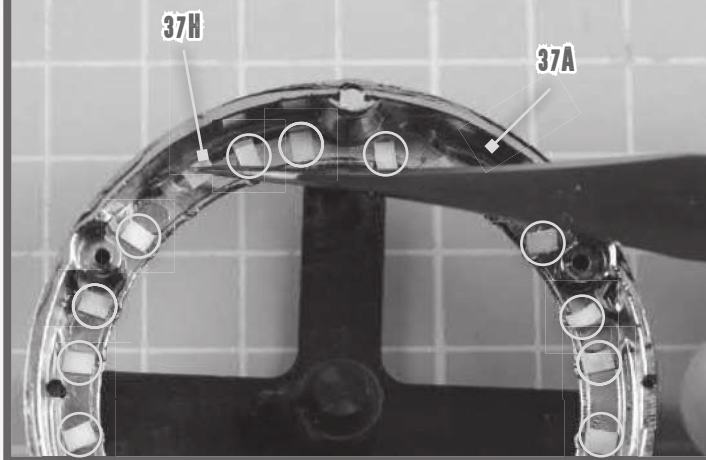
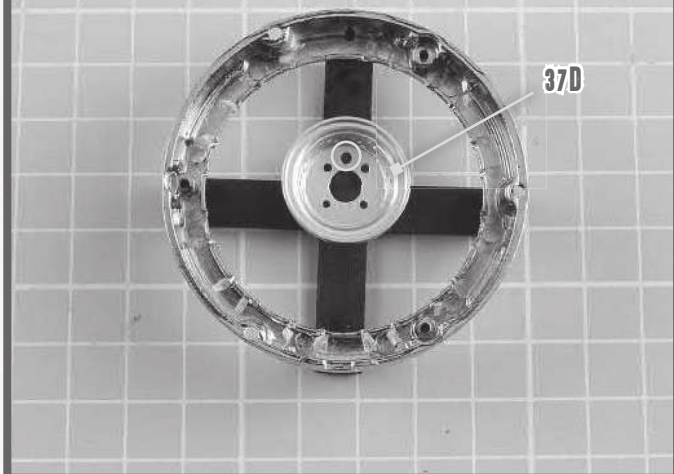
- 37E** Spokes 1
- 37F** Spokes 2
- 37G** Central ring 2
- 37H** Double-sided tape

- AP** 5 screws (1.7x4mm)
- CM** 4 screws (1.7x4mm)

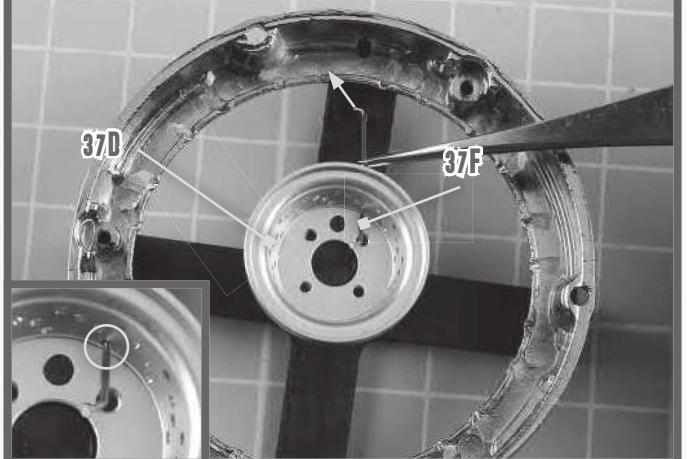


C

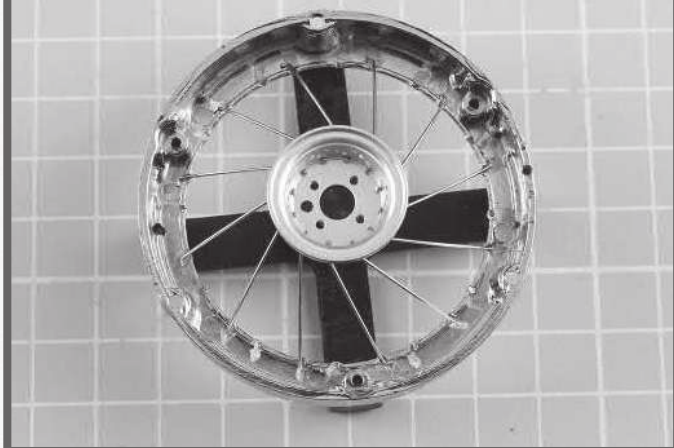
Apply 24 pieces of double-sided tape 37H to 37A's inner profile and tear off their top sheets.

**D****E**

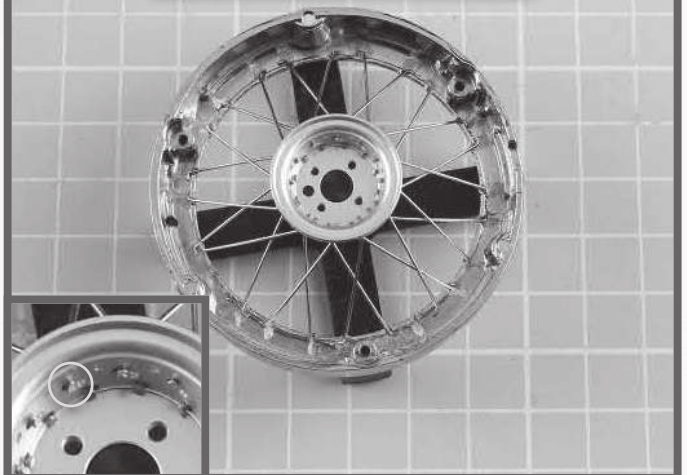
Insert 1 spoke 37F through a hole in 37D's first level (counting from the bottom).

**F**

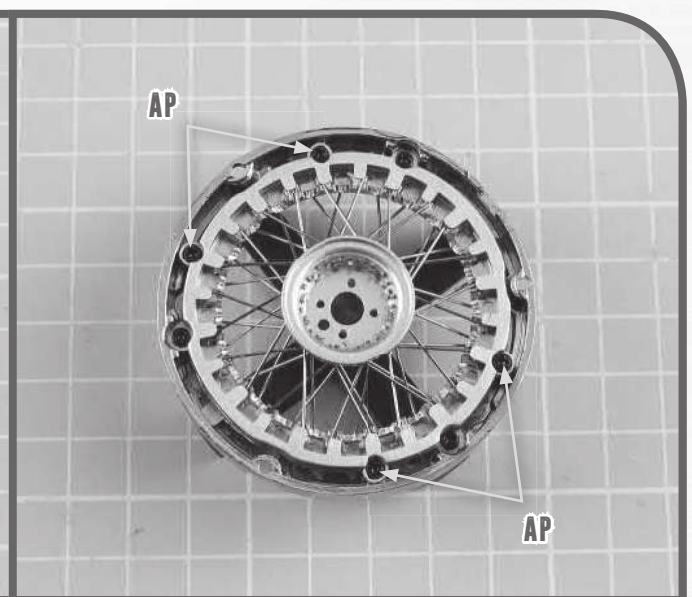
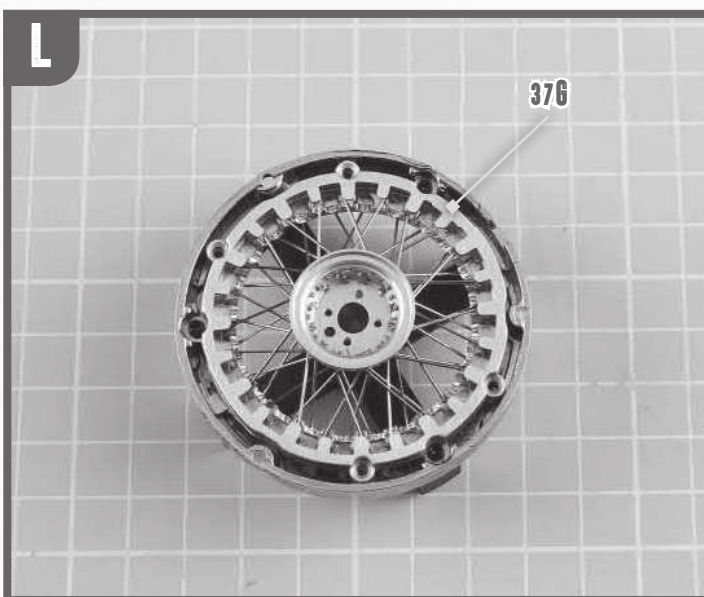
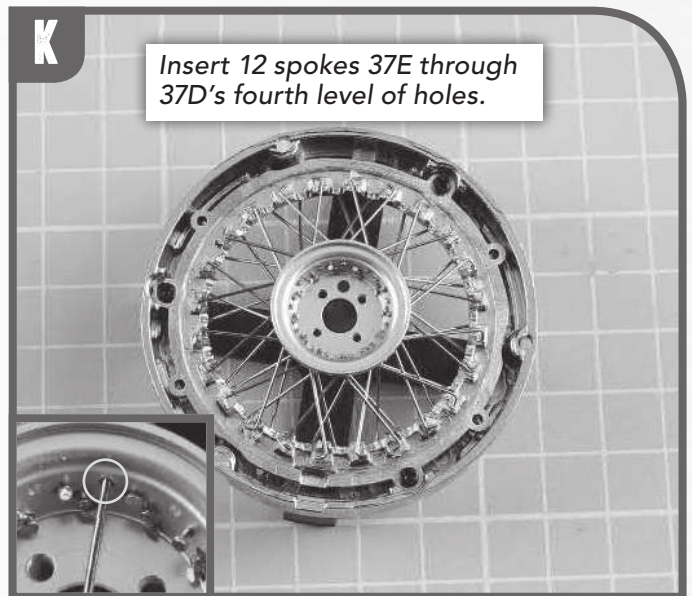
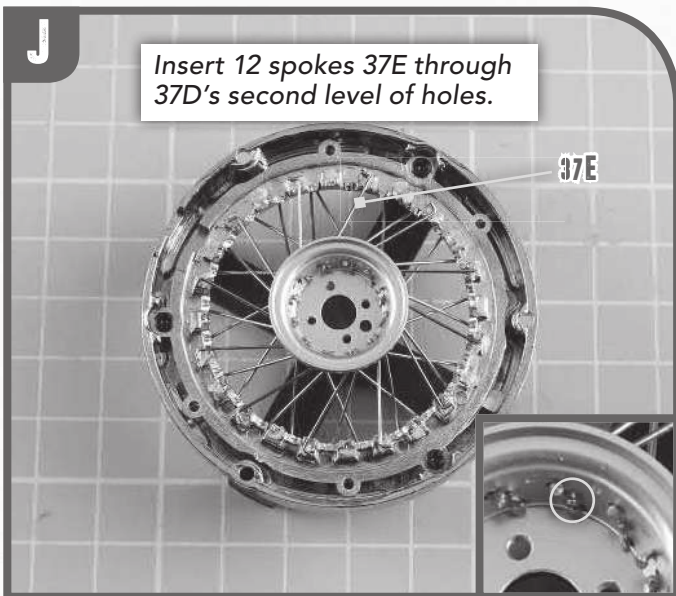
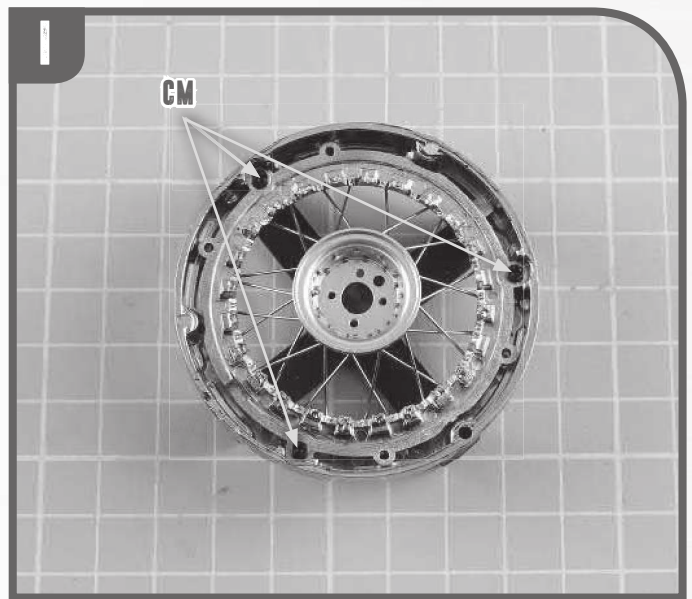
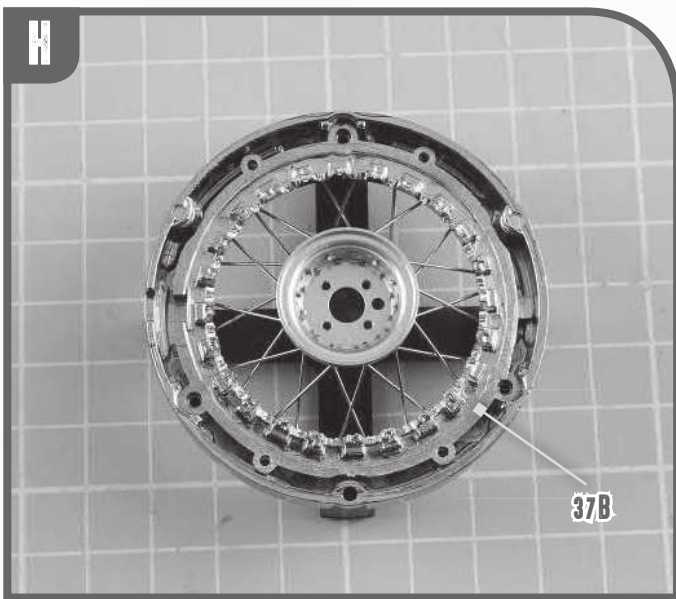
Repeat the process with other 11 spokes 37F.

**G**

Insert 12 spokes 37F through 37D's third level of holes.

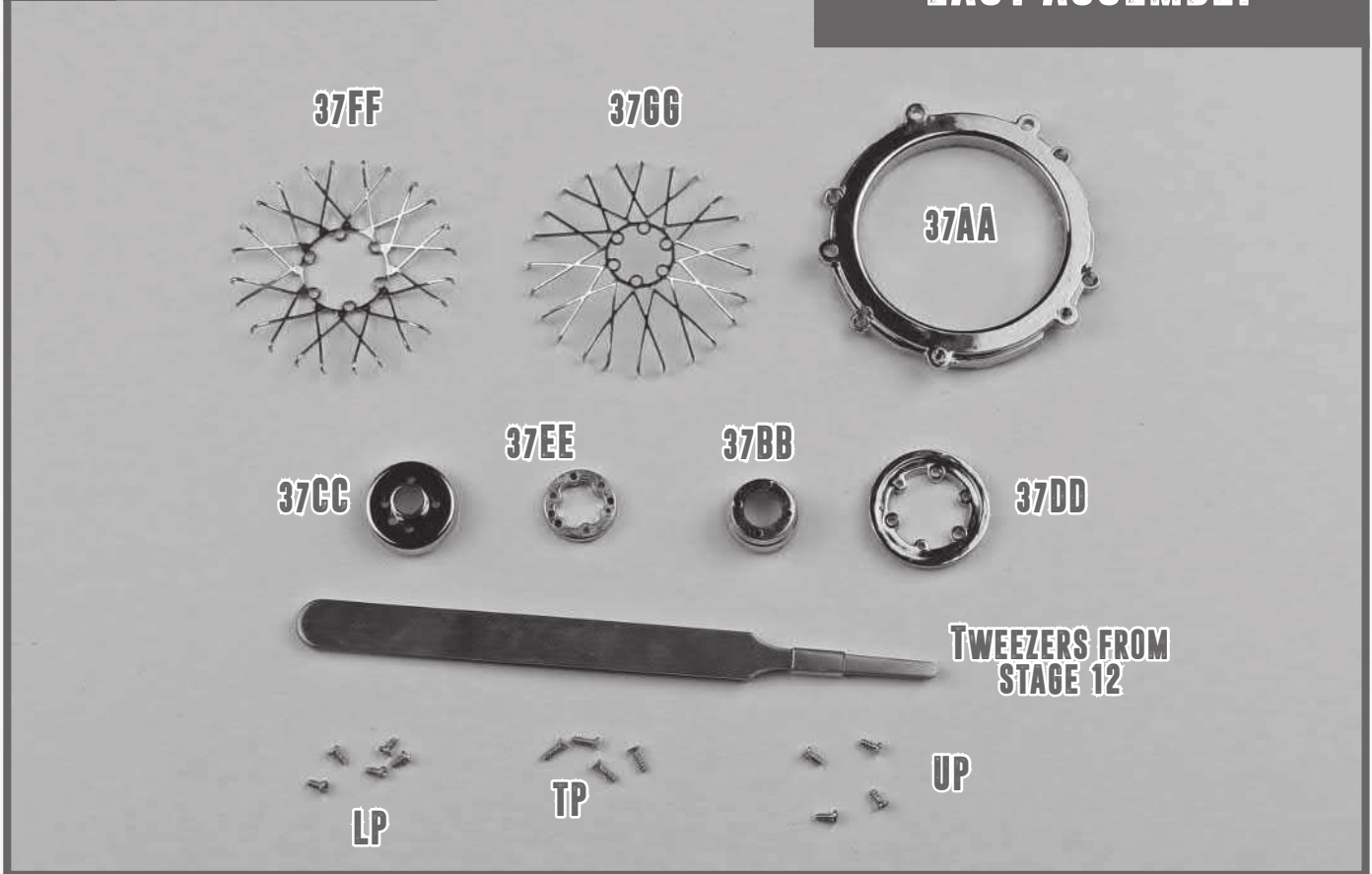


stepbystep #37



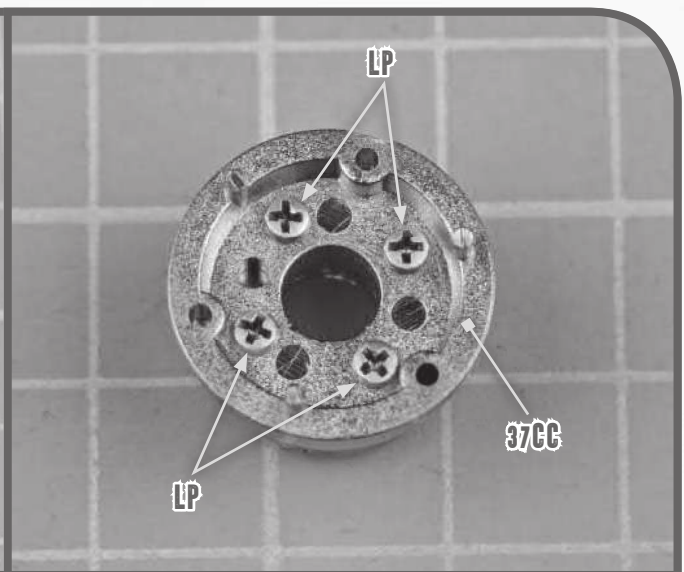
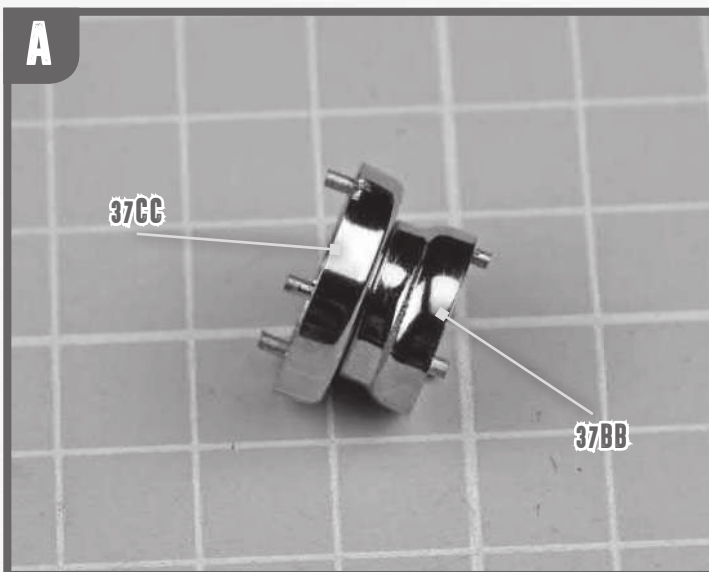
37B PARTS LIST

EASY ASSEMBLY

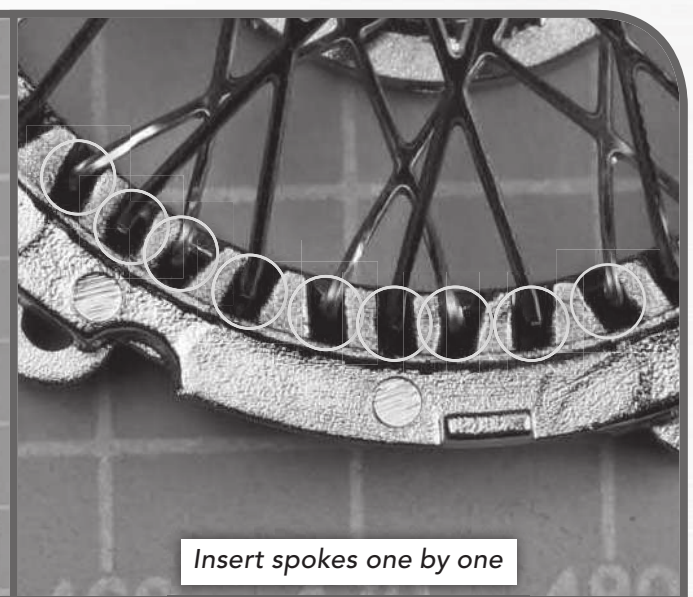
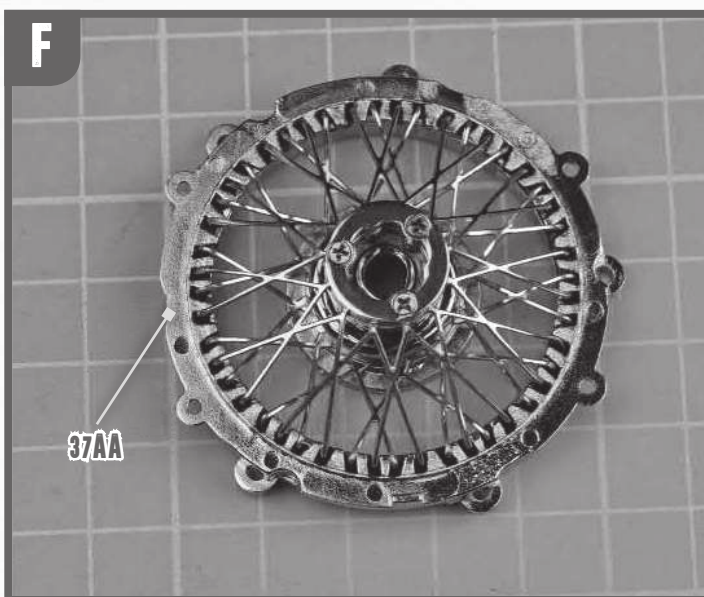
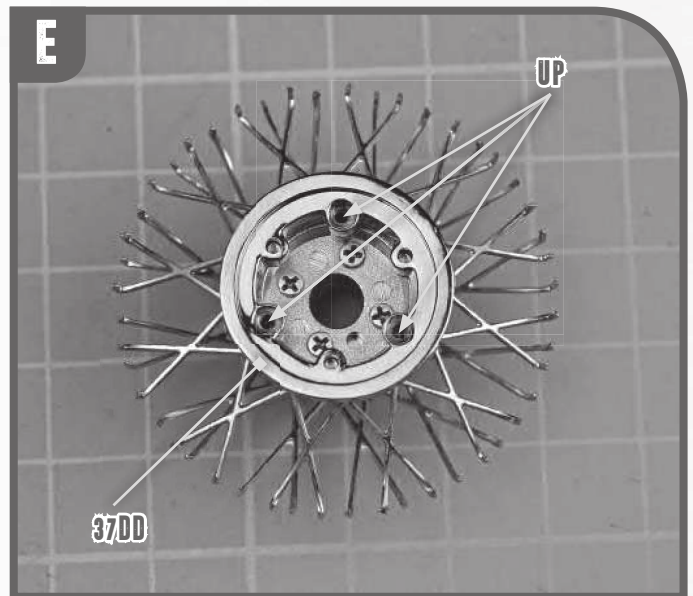
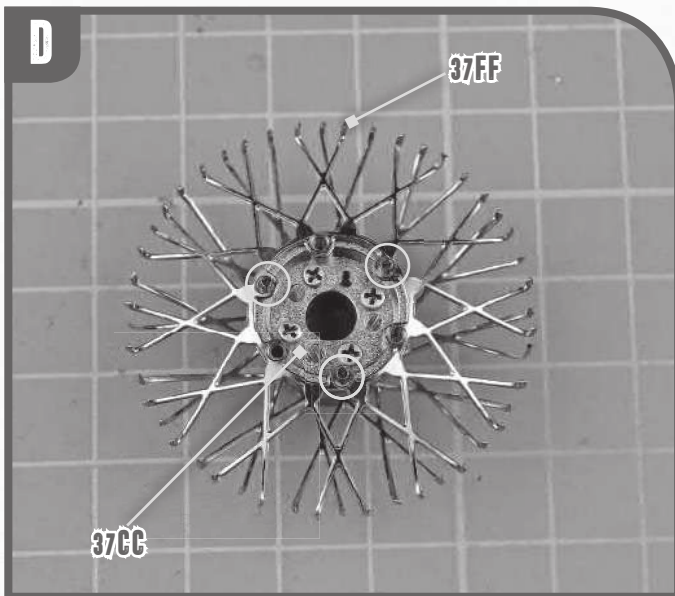
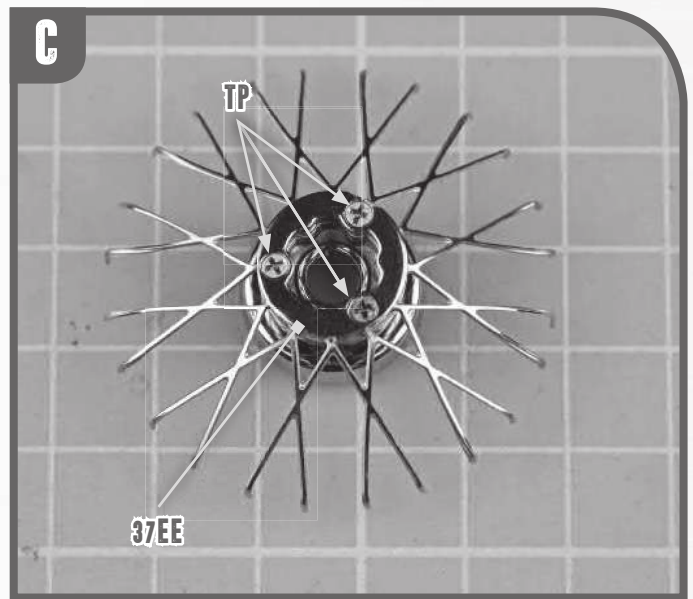
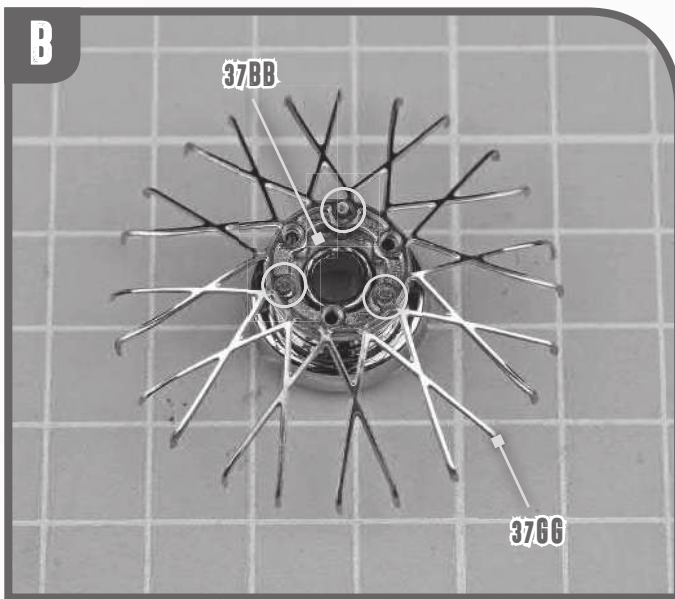


- 37AA** Central ring 1
- 37BB** Hub 1
- 37CC** Hub 2
- 37DD** Hub 3
- 37EE** Hub 4
- 37FF** Spokes 1

- 37GG** Spokes 2
- LP** 5 screws (1.5x3mm)
- TP** 4 screws (1.5x5mm)
- UP** 4 screws (1.7x4mm)



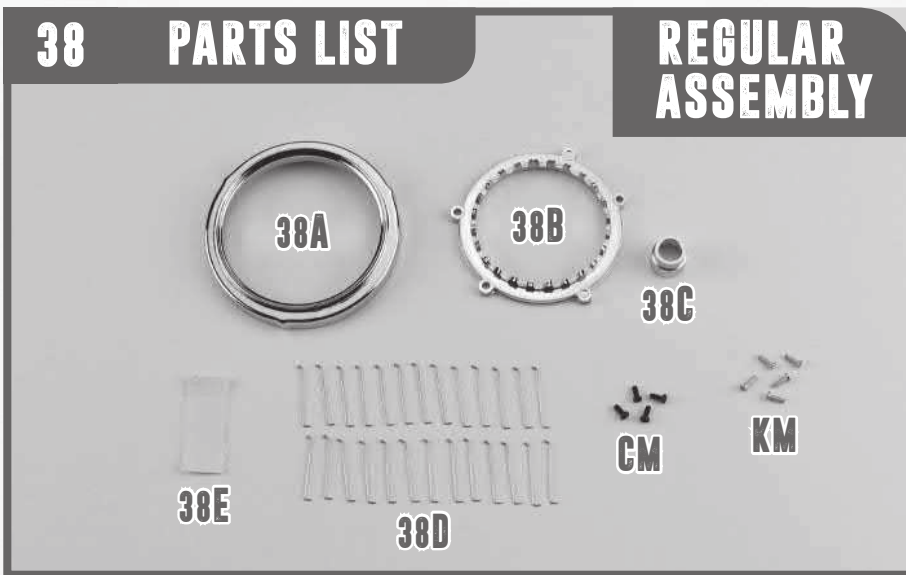
stepbystep #37B



38 PARTS LIST

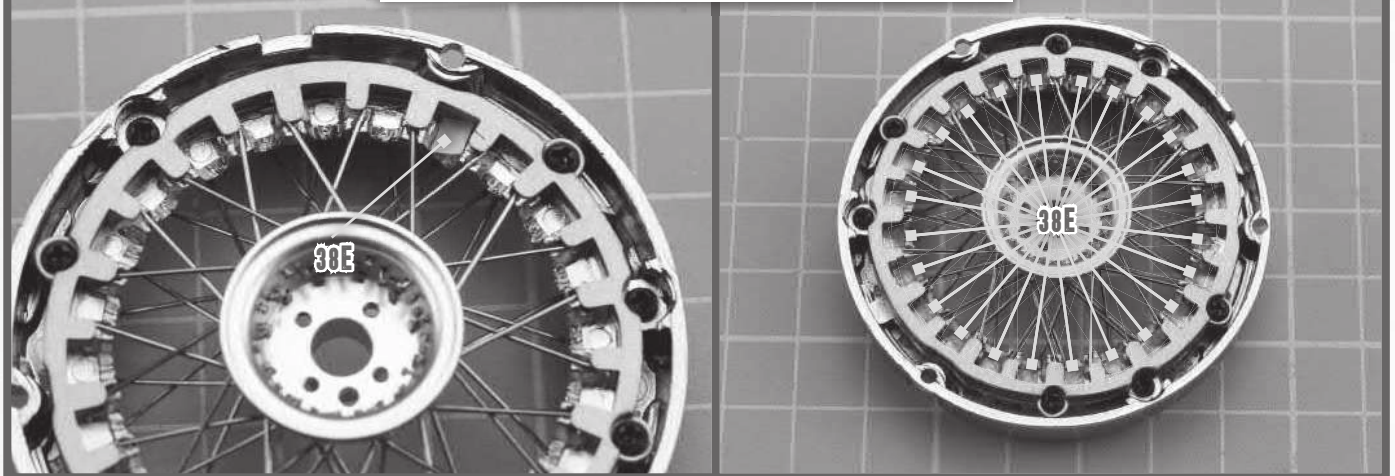
REGULAR ASSEMBLY

- 38A** Inner rim
- 38B** Central ring 3
- 38C** Hub 2
- 38D** Spokes 3
- 38E** Double-sided tape
- CM** 4 screws (1.7x4mm)
- KM** 5 screws (1.5x5mm)

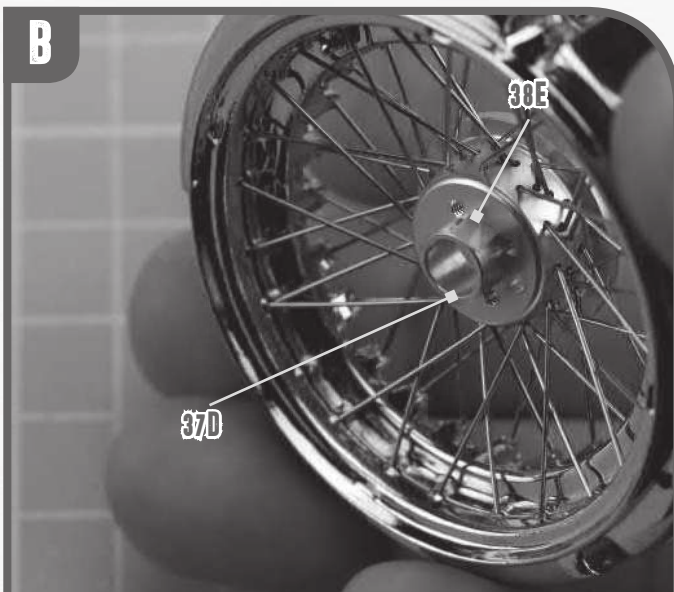


A

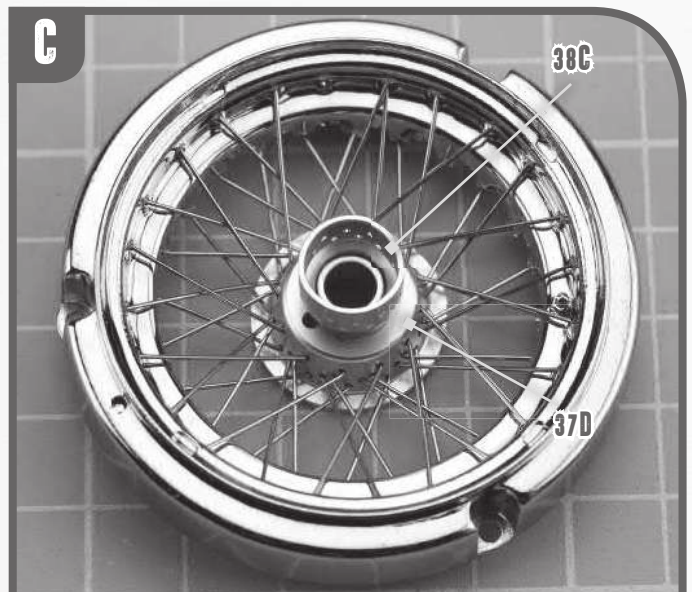
Apply 24 pieces of double-sided tape 38E to 37B's inner profile and tear off their top sheets.



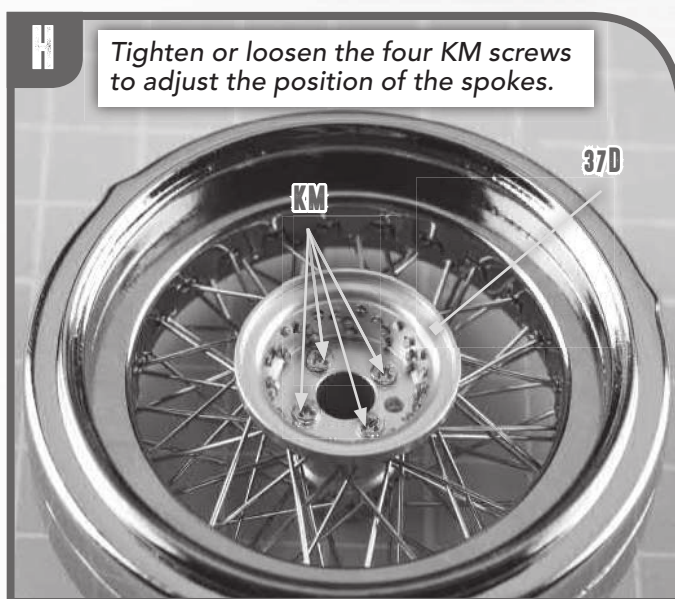
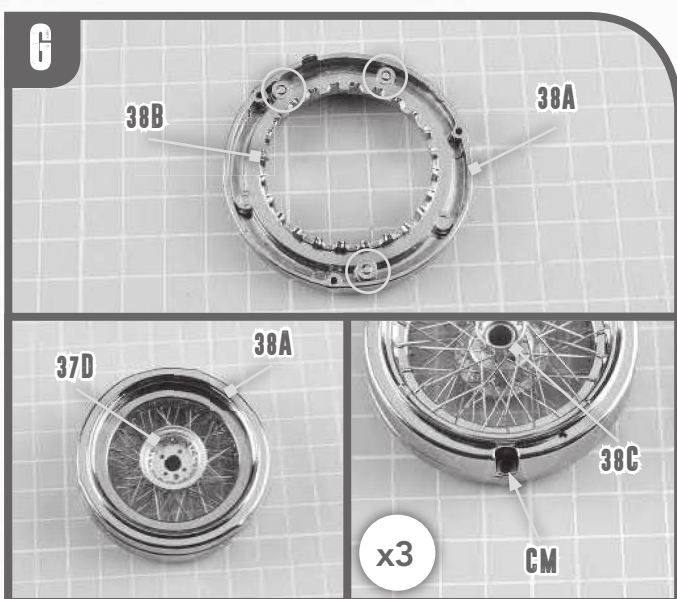
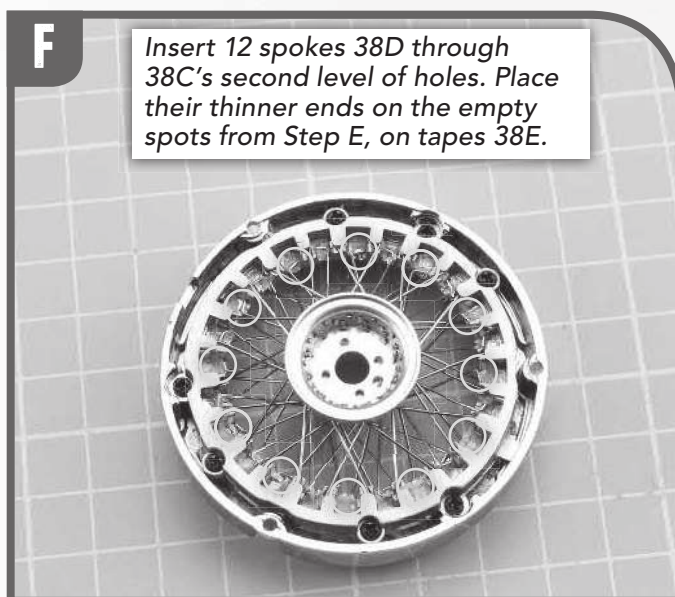
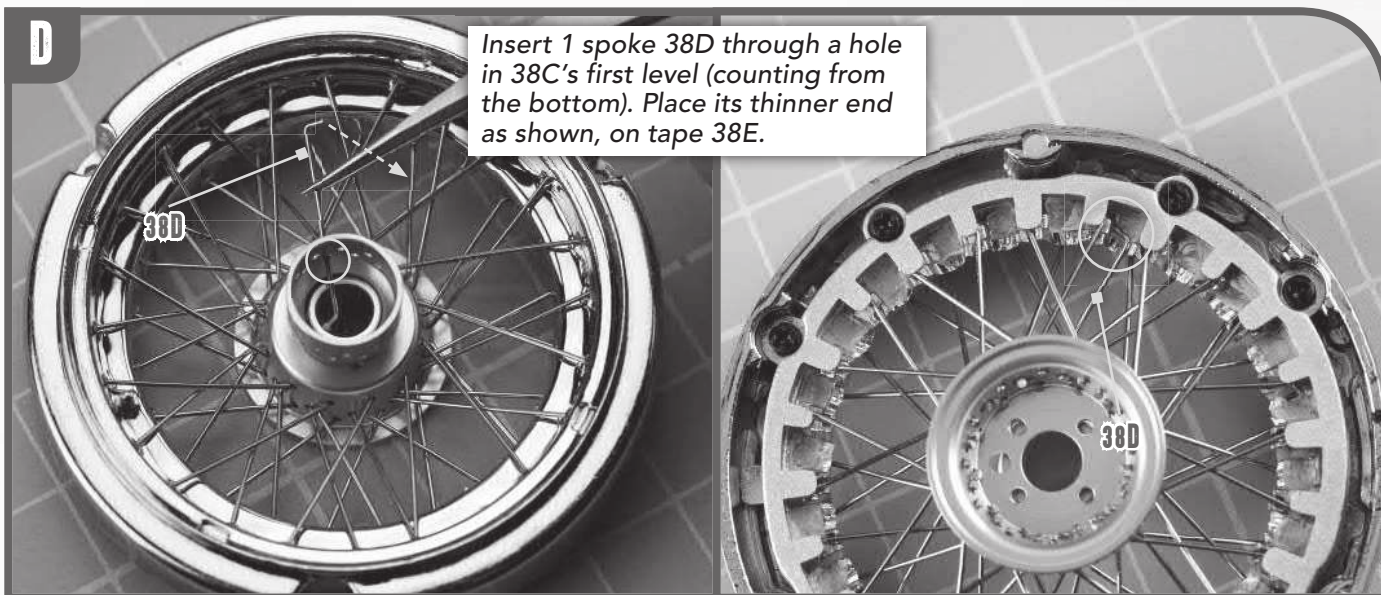
B



C



stepbystep #38

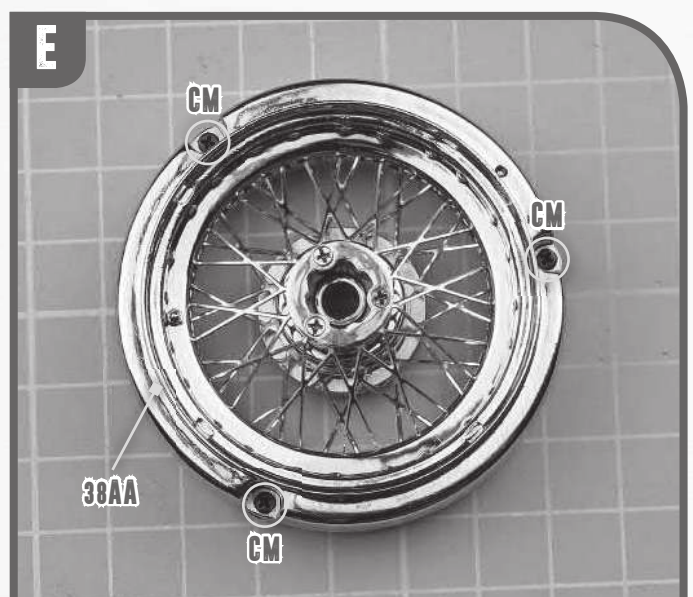
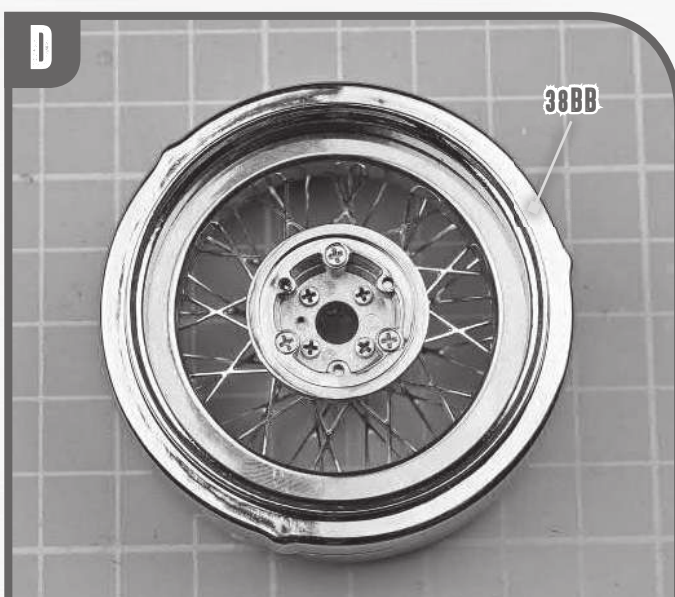
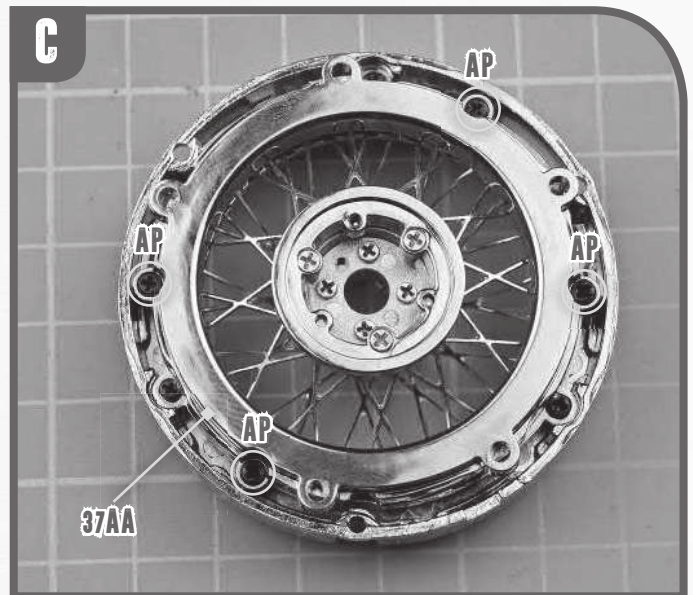
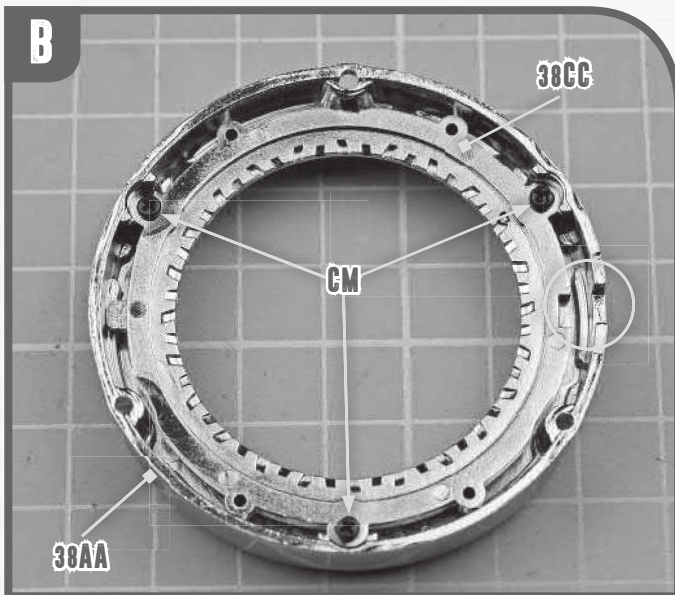
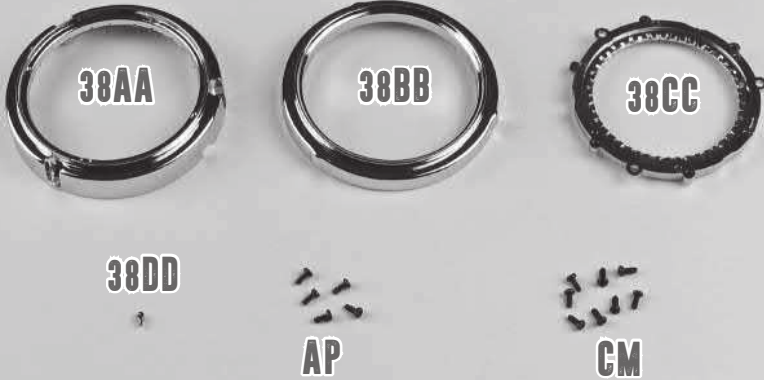


38B PARTS LIST

EASY ASSEMBLY

- 38AA** Outer rim
- 38BB** Inner rim
- 38CC** Central ring 2
- 38DD** Inflation valve

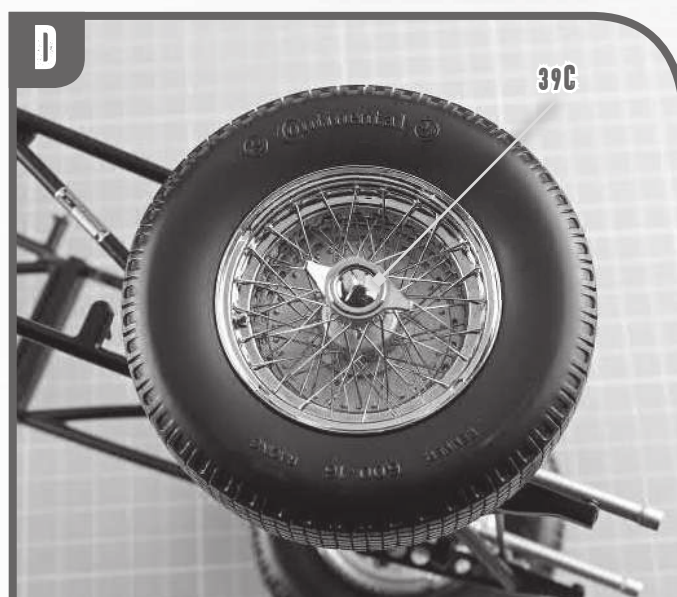
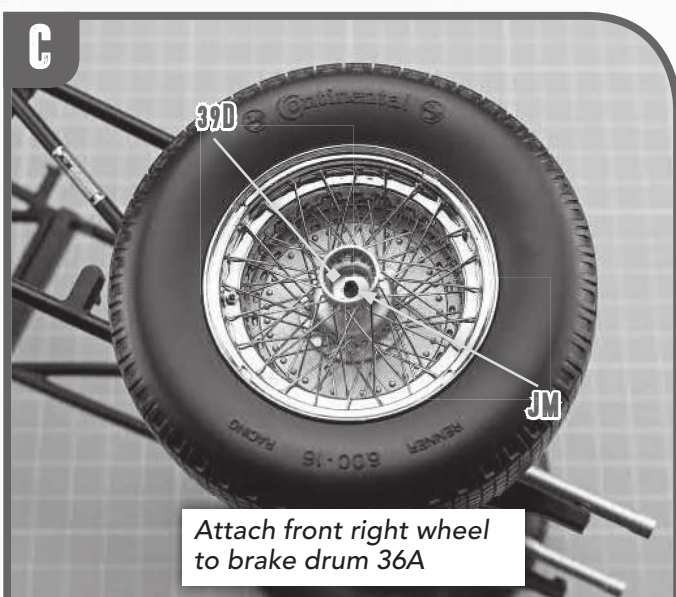
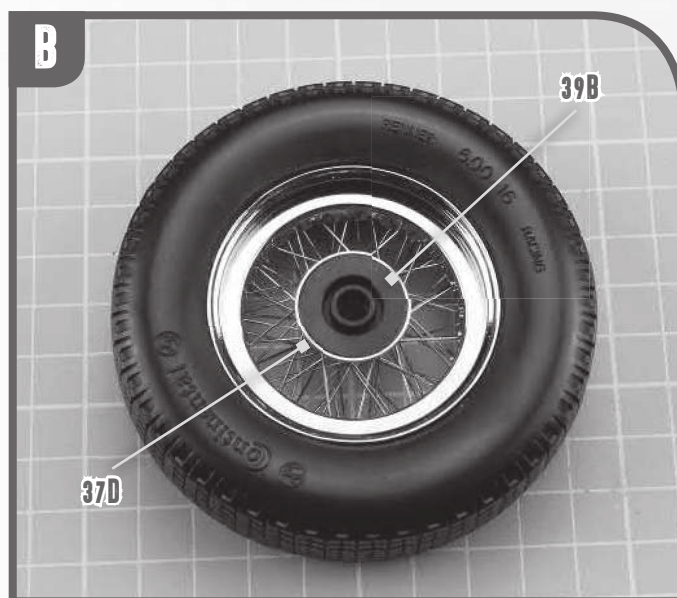
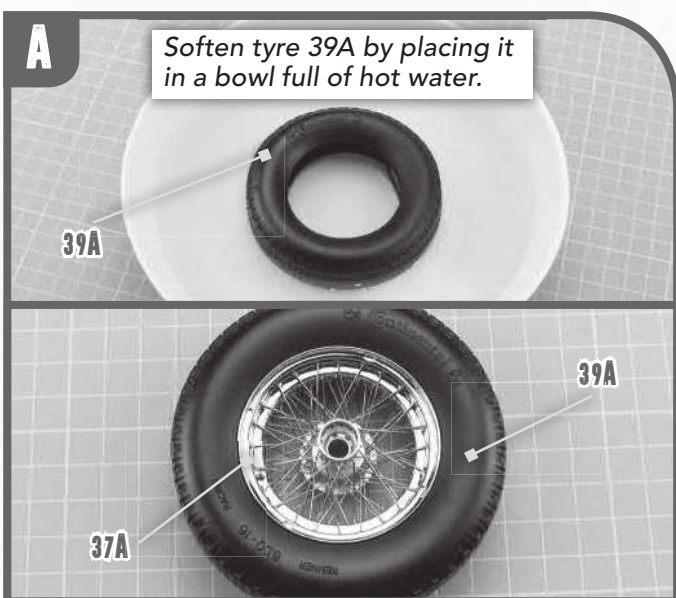
- AP** 5 screws (1.7x4mm)
- CM** 8 screws (1.7x4mm)



39 PARTS LIST

REGULAR ASSEMBLY

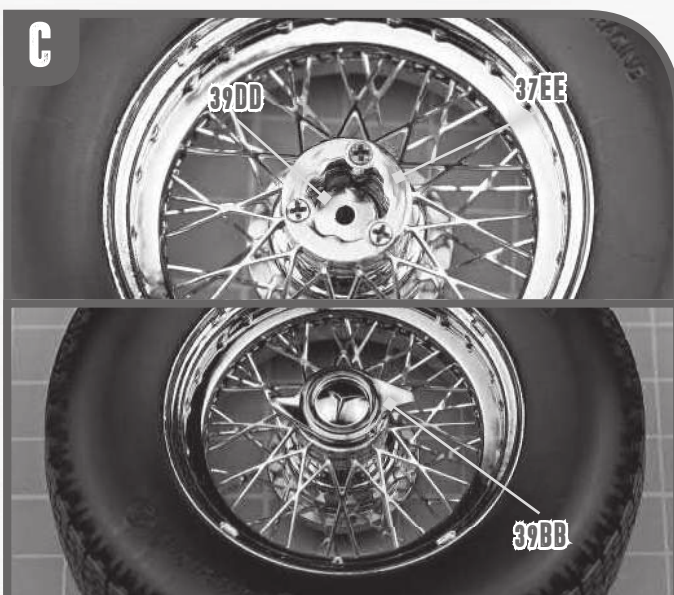
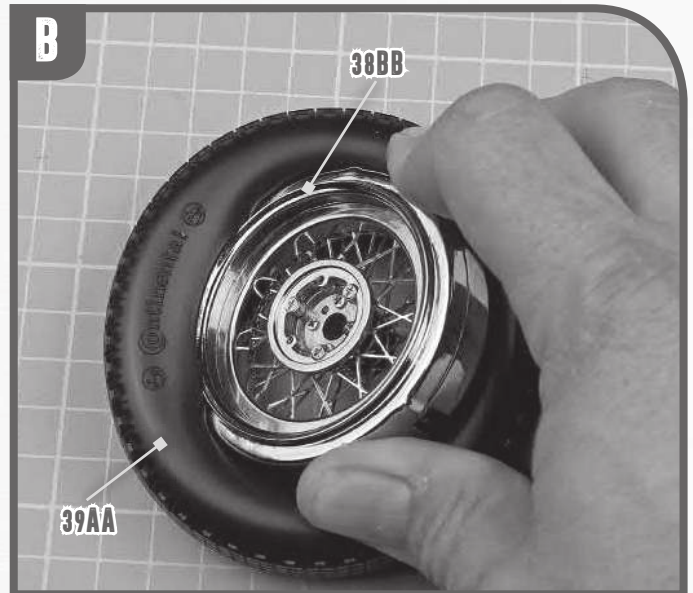
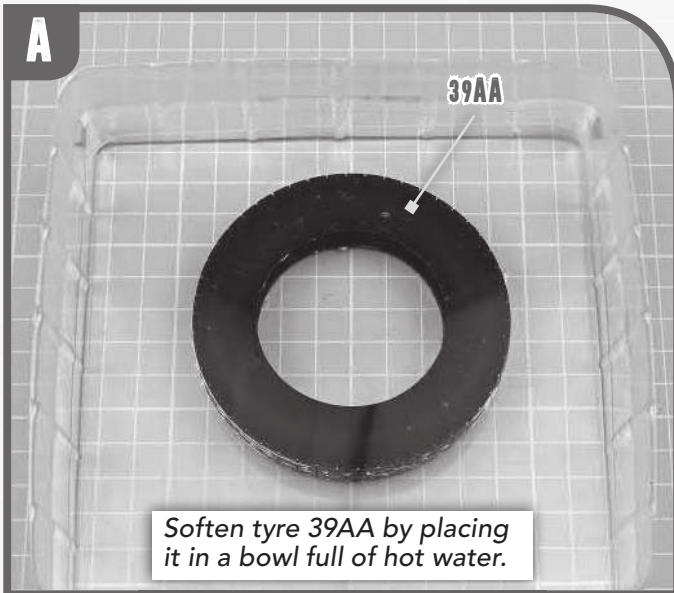
- 39A** Tyre
- 39B** Hub 3
- 39C** Hubcap
- 39D** Washer ring
- JM** 2 screws (2x5mm)



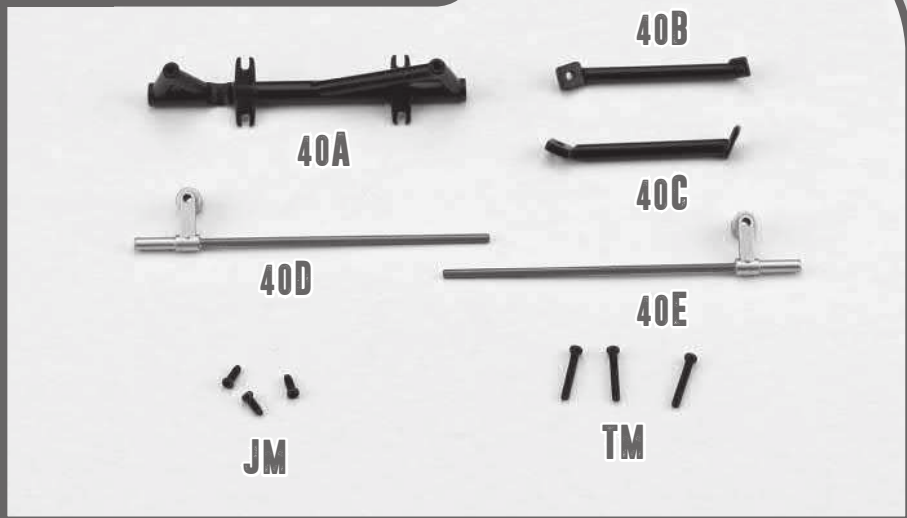
39B PARTS LIST

EASY ASSEMBLY

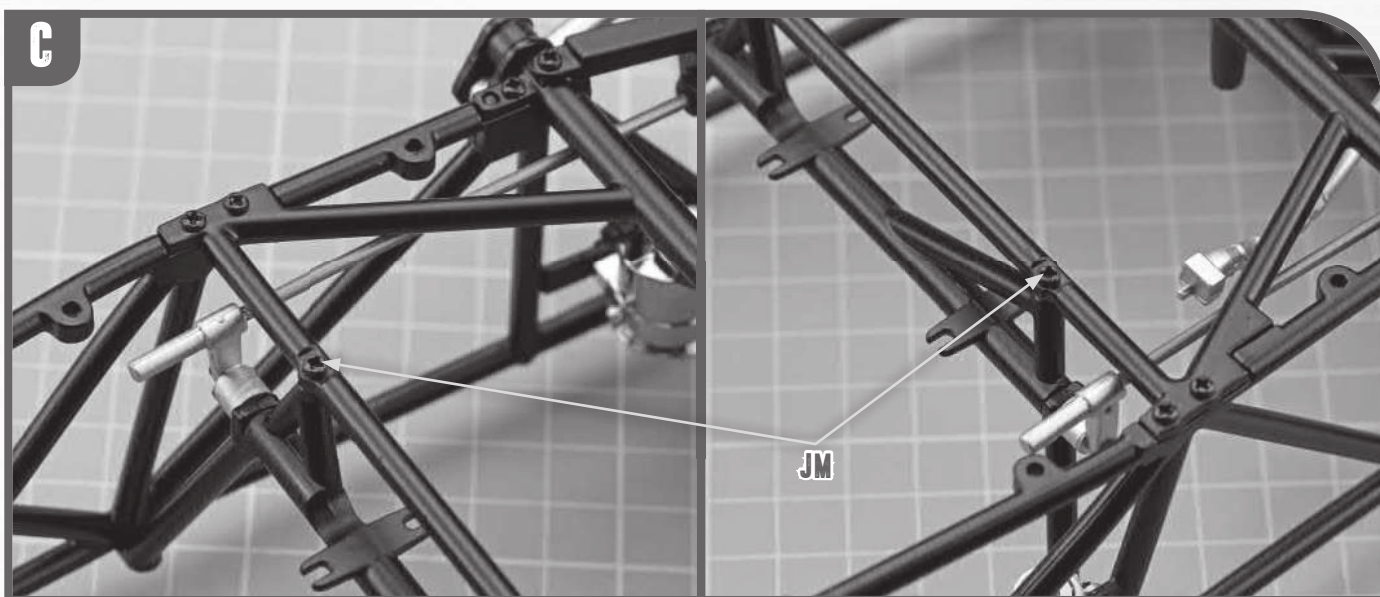
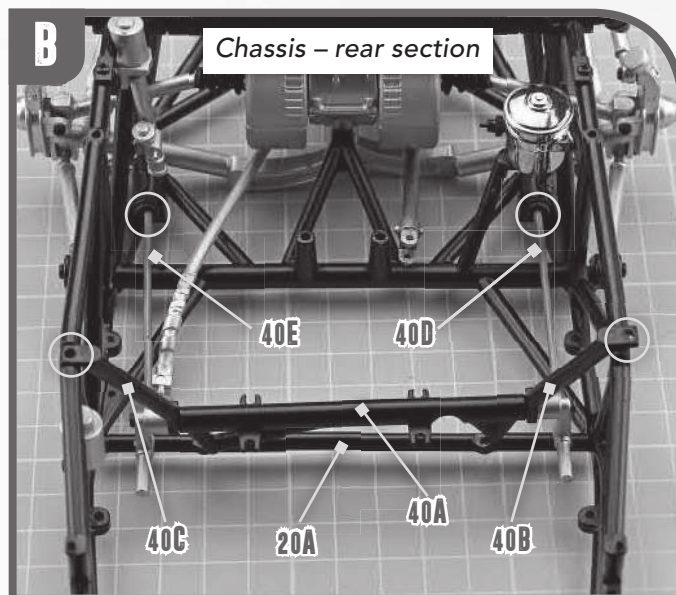
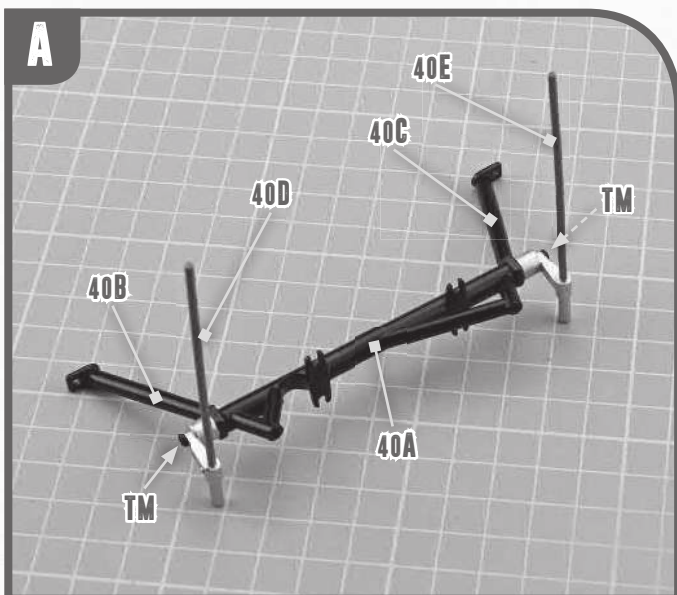
- 39AA** Tyre
- 39BB** Hubcap
- 39CC** Hub 5
- 39DD** Washer ring
- JM** 2 screws (2x5mm)



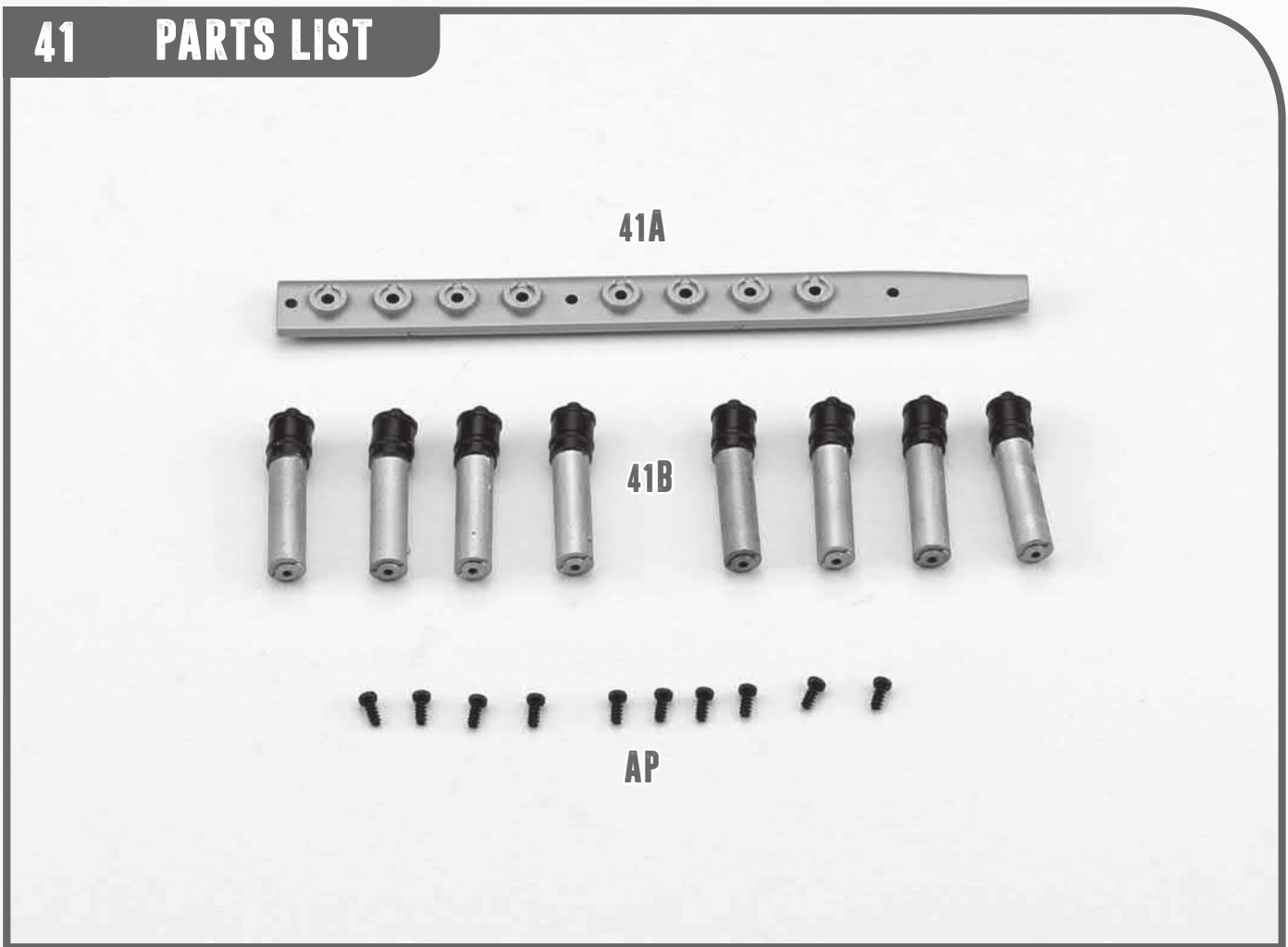
40 PARTS LIST



- 40A** Central crossbeam
- 40B** Left tube
- 40C** Right tube
- 40D** Left rear torsion bar
- 40E** Right rear torsion bar
- JM** 3 screws (2x5mm)
- TM** 3 screws (2x13mm)



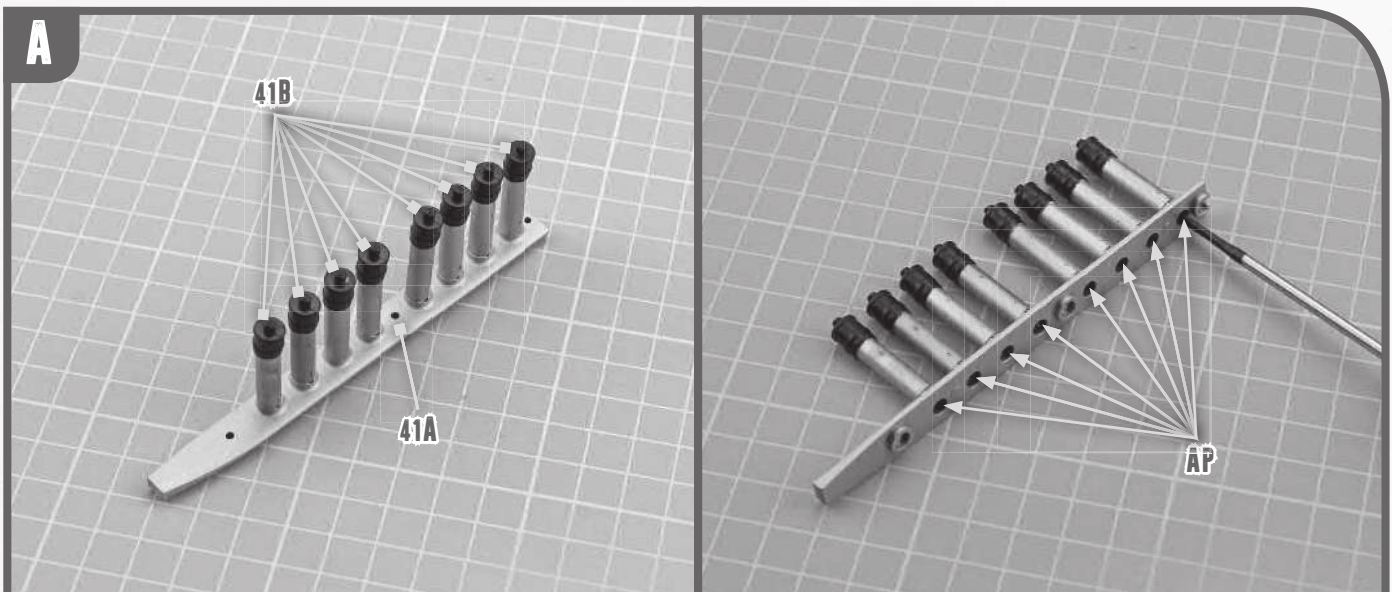
41 PARTS LIST



41A Inleft manifold

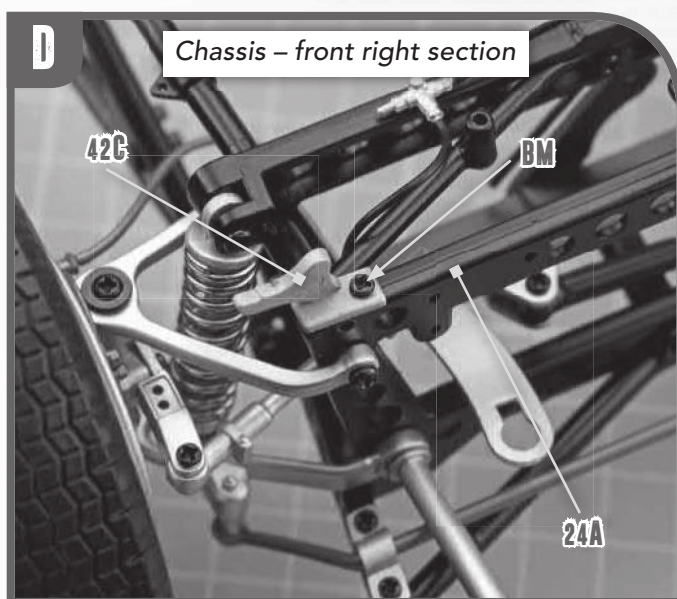
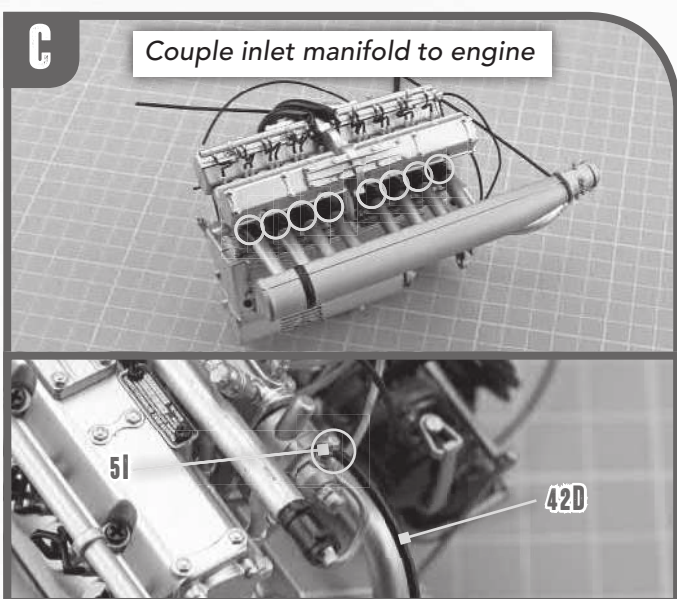
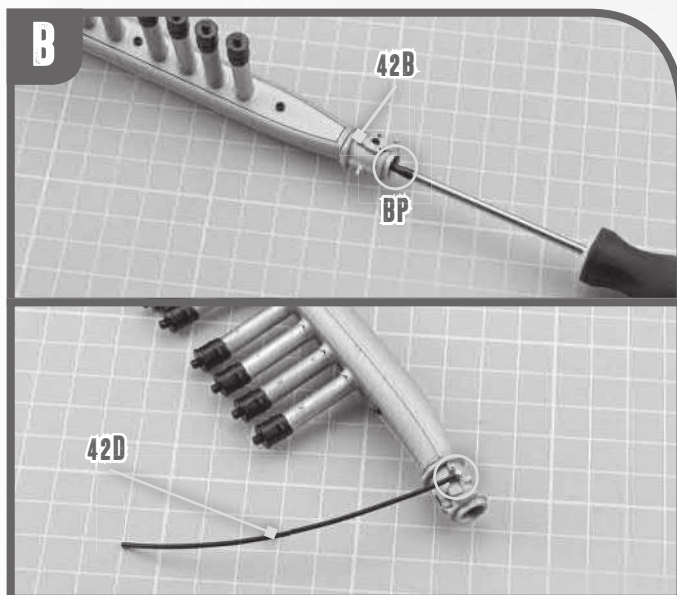
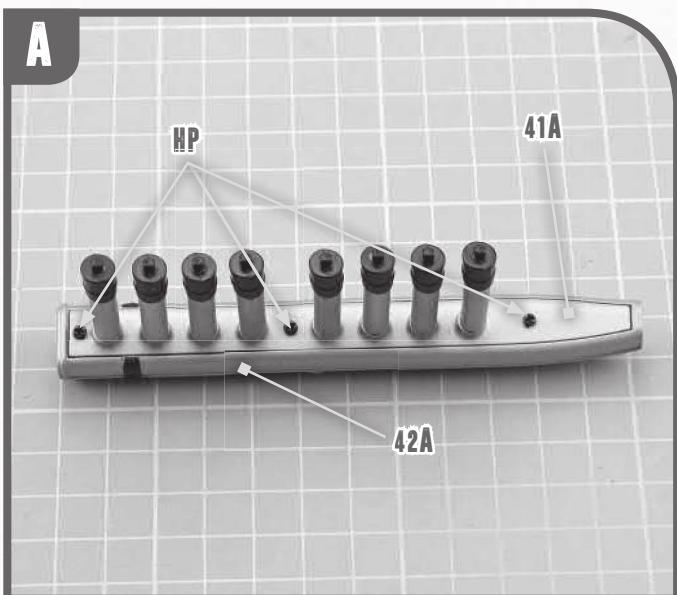
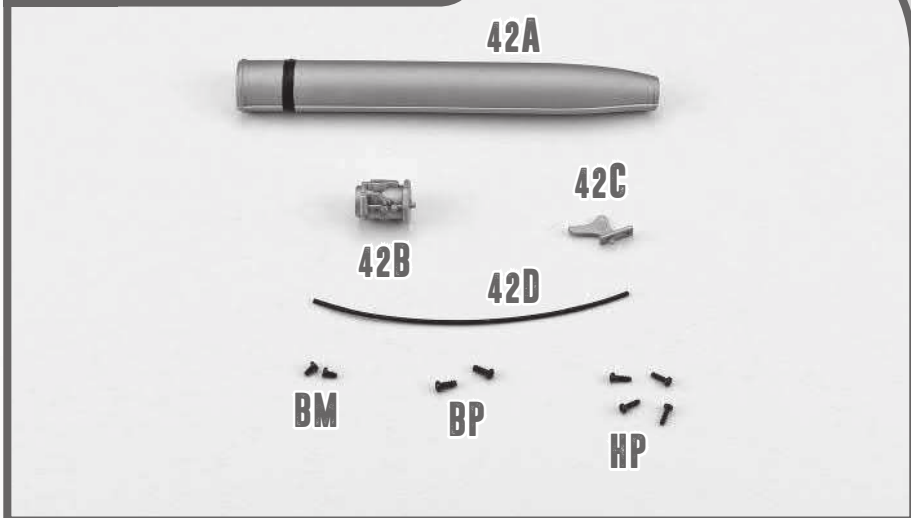
41B Pipes (x8)

AP 11 screws (1.7x4mm)



42 PARTS LIST

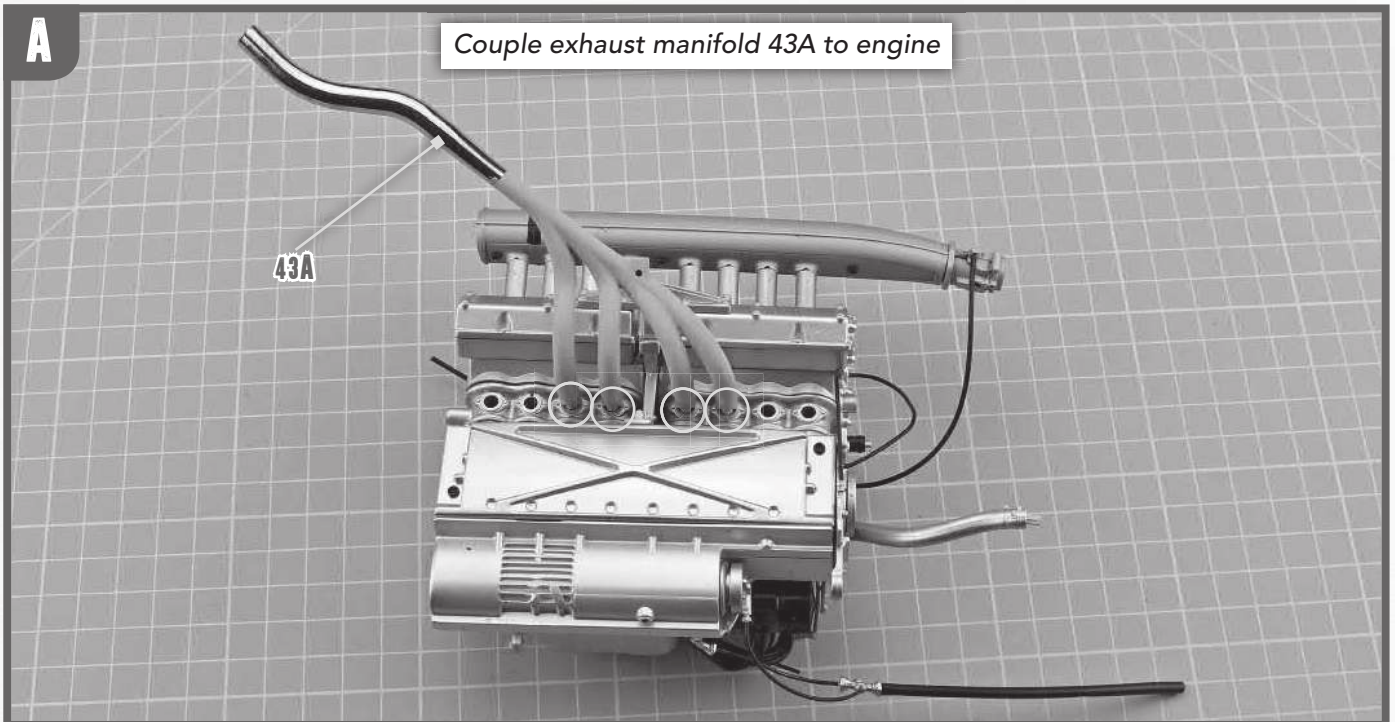
- 42A** Inlet manifold cover
- 42B** Throttle body
- 42C** Inlet manifold support
- 42D** Tube
- BM** 2 screws (1.7x3mm)
- BP** 2 screws (2x5mm)
- HP** 4 screws (1.7x5mm)



43 PARTS LIST

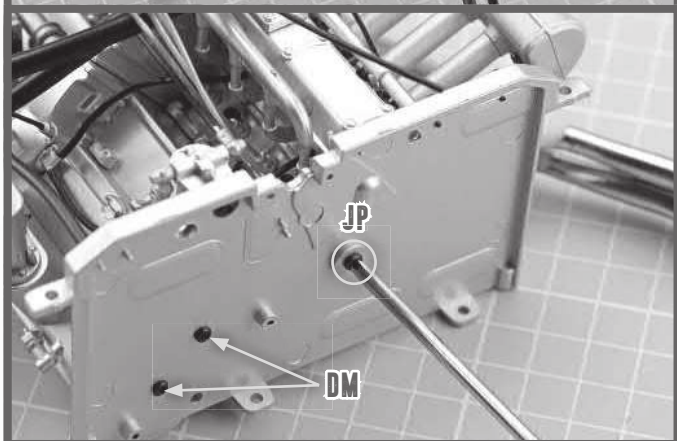
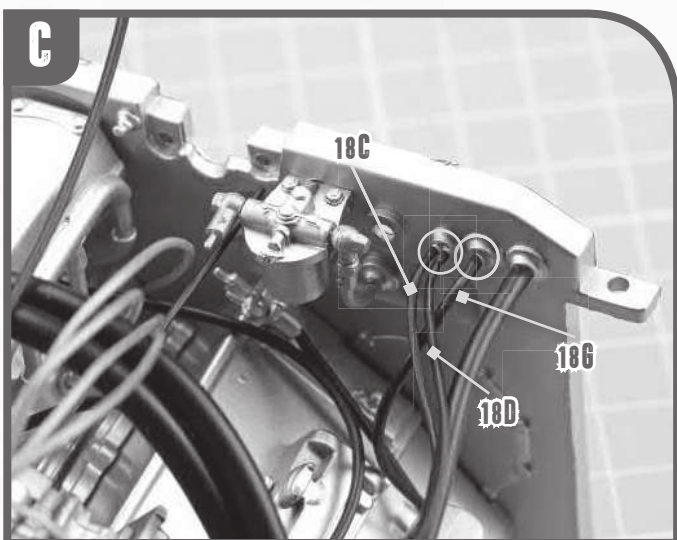
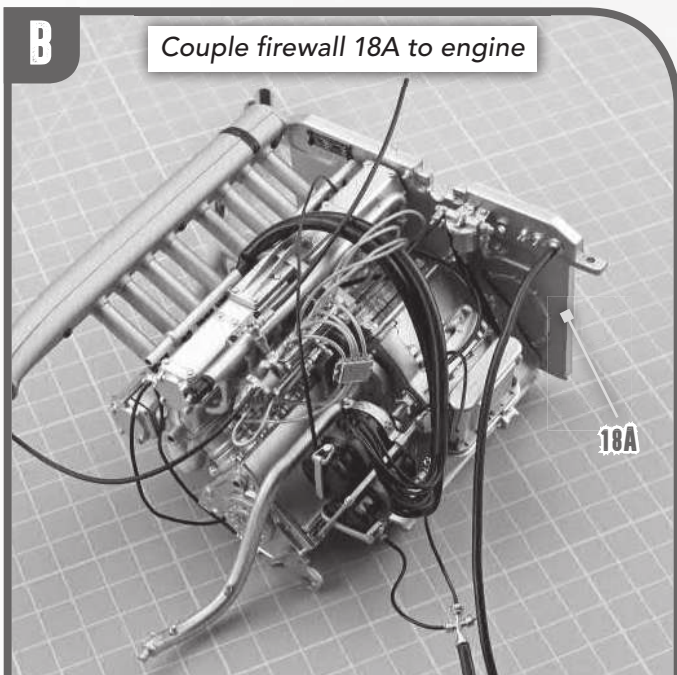
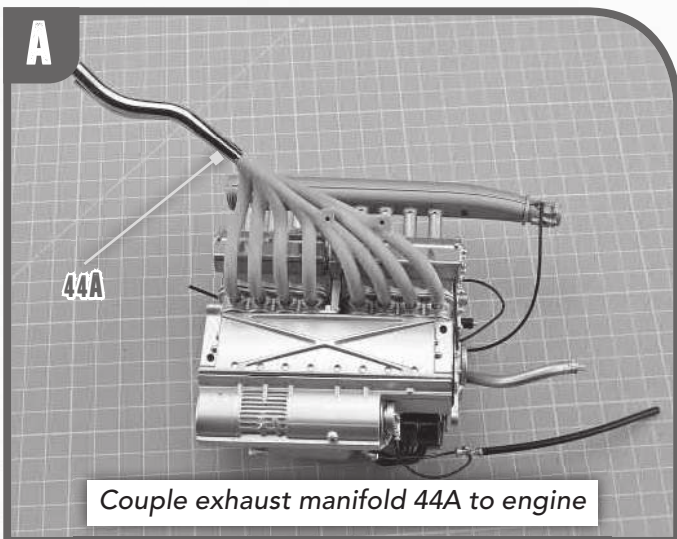
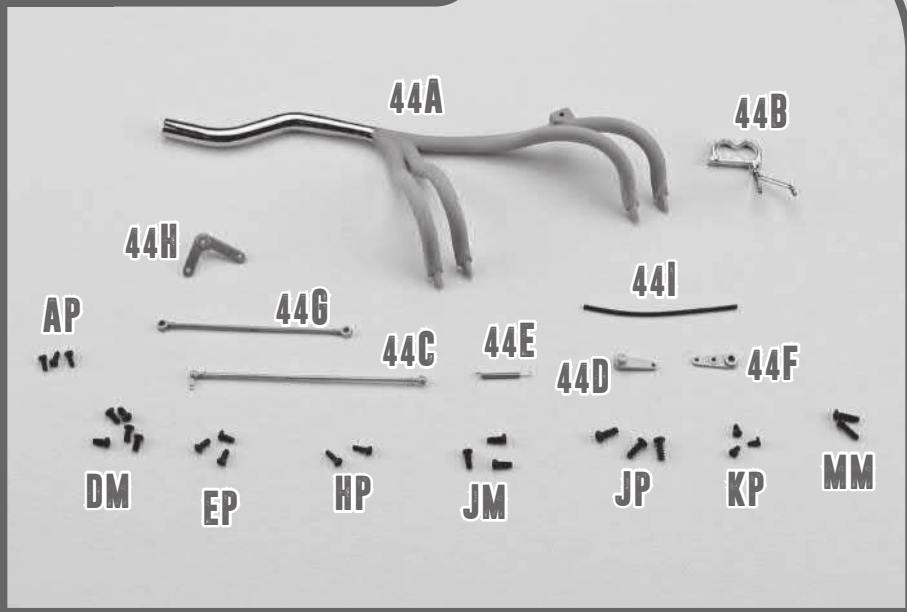


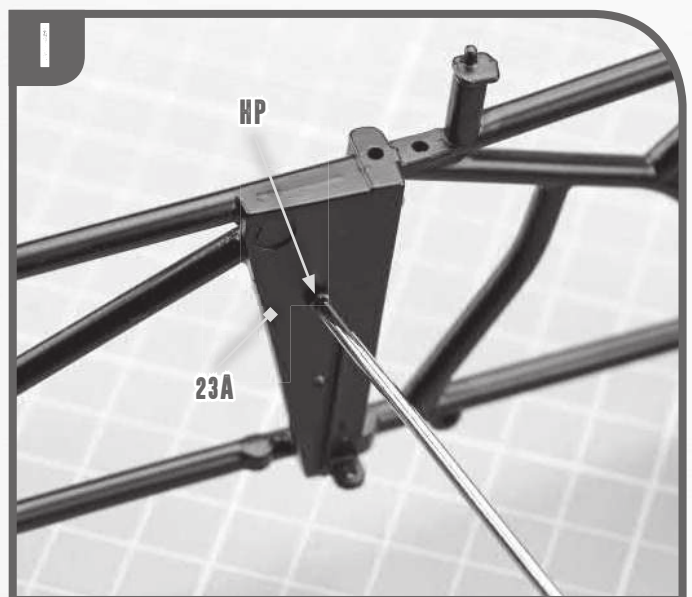
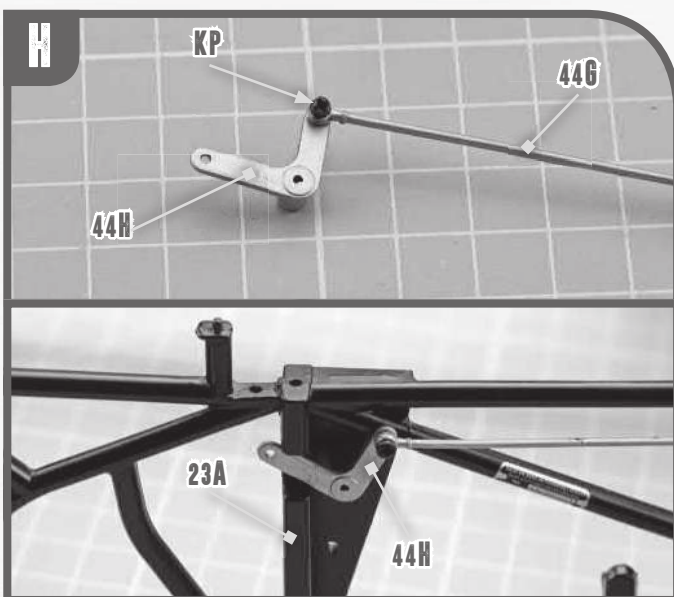
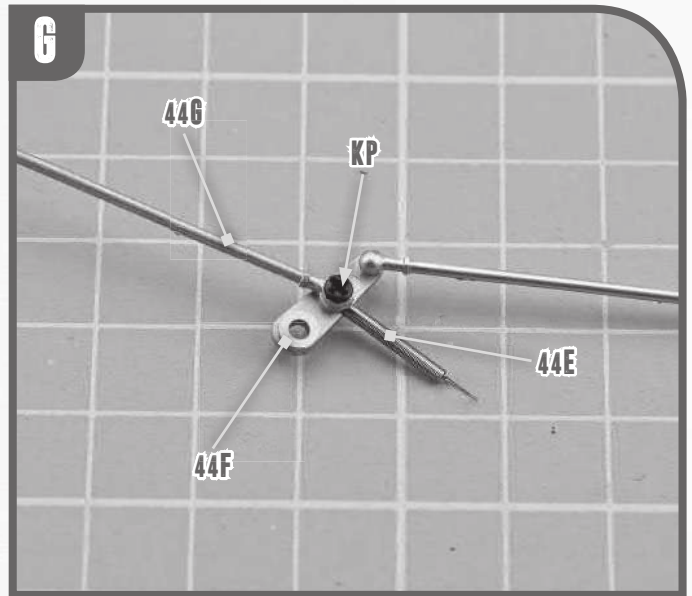
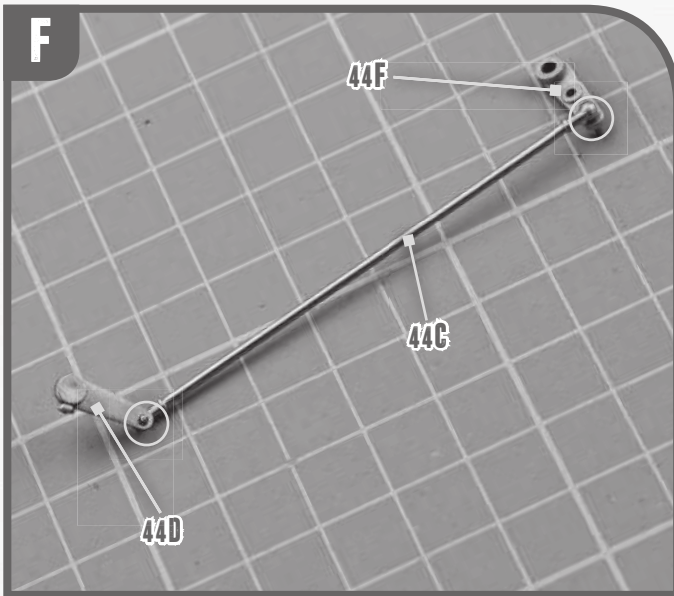
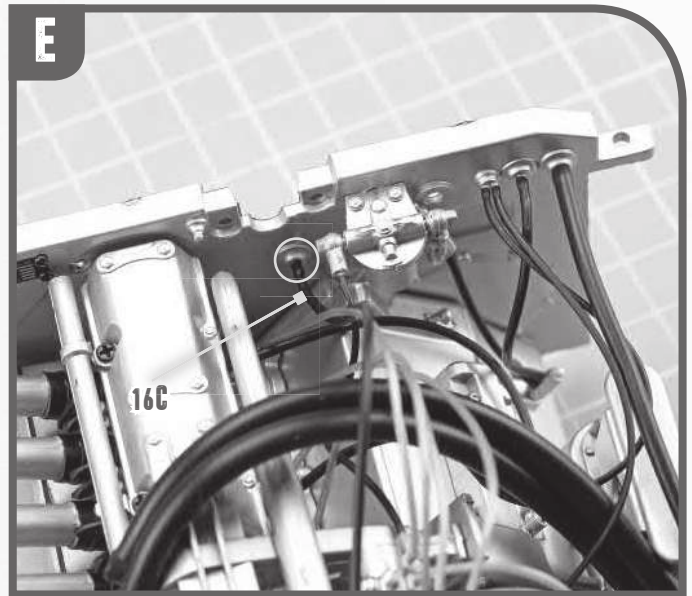
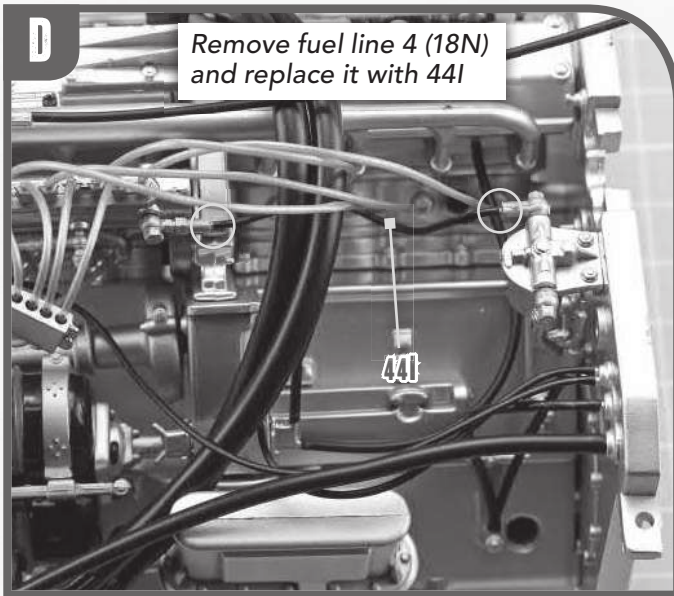
43A Exhaust manifold



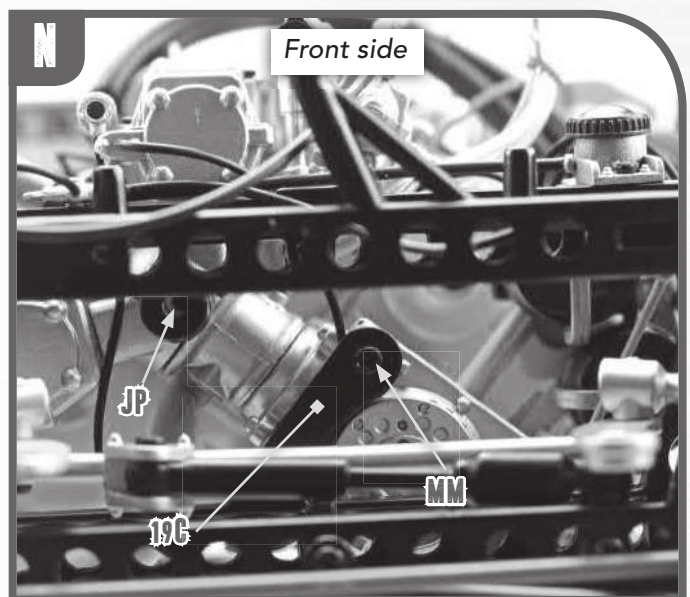
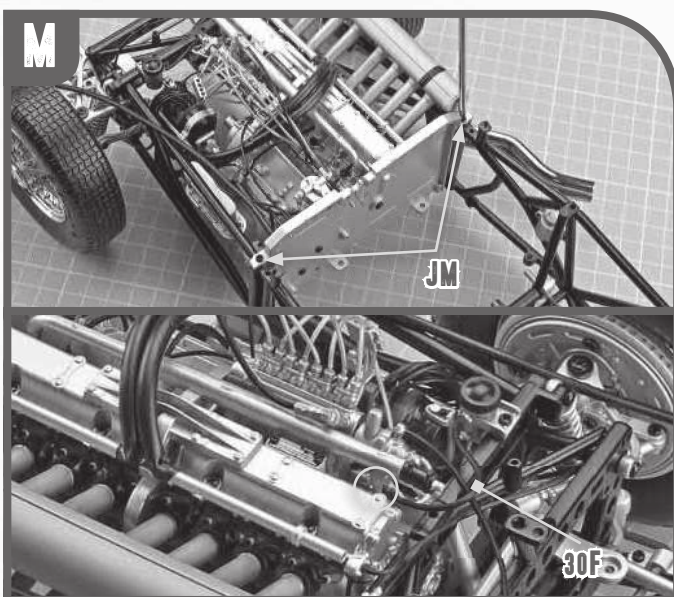
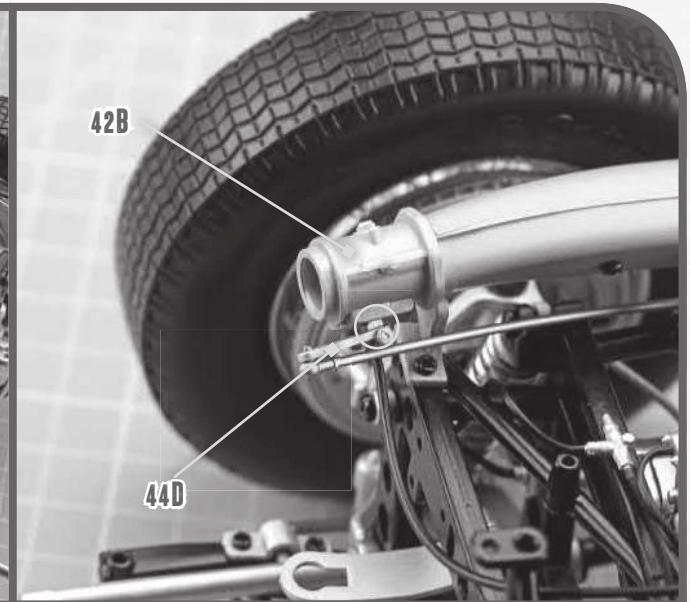
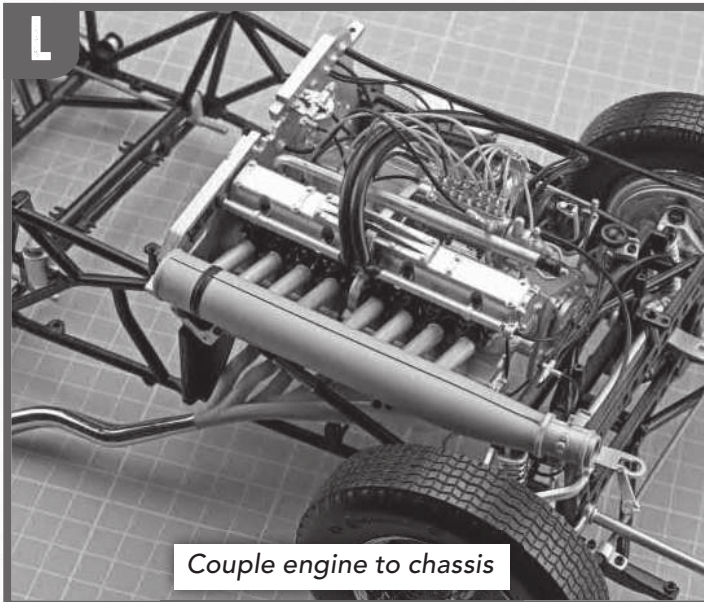
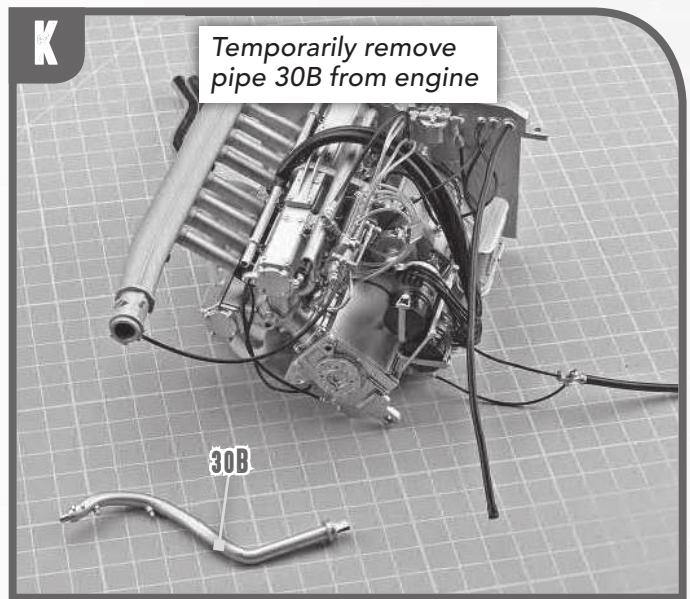
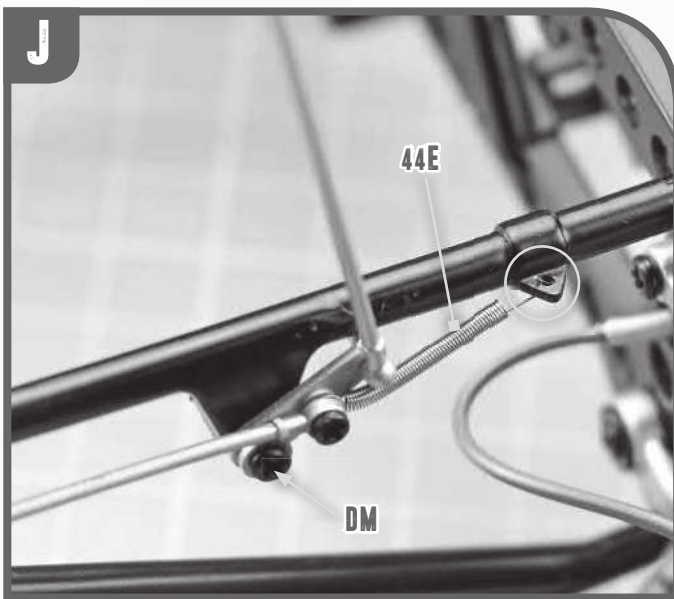
44 PARTS LIST

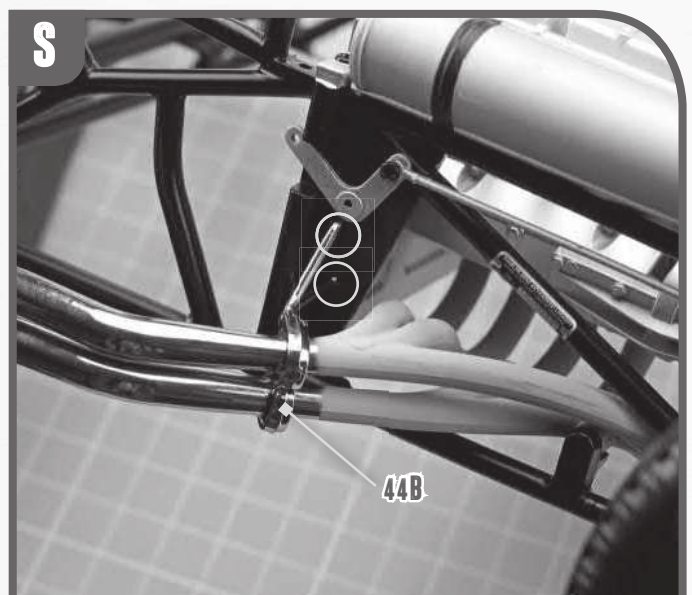
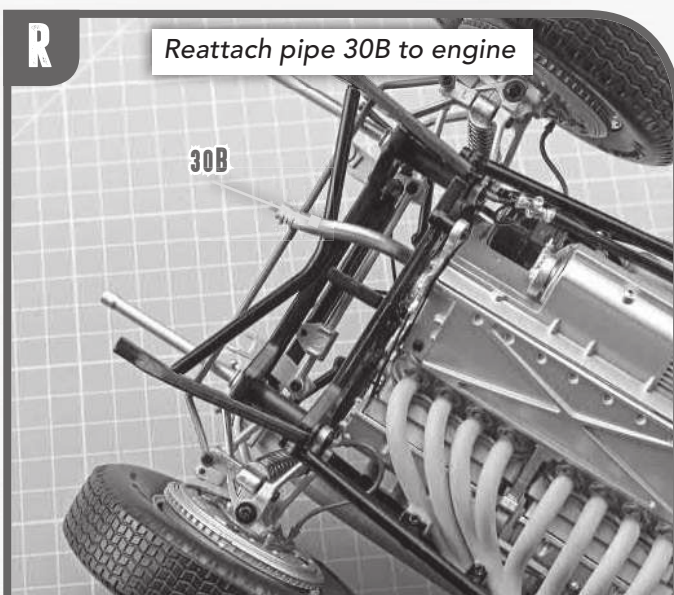
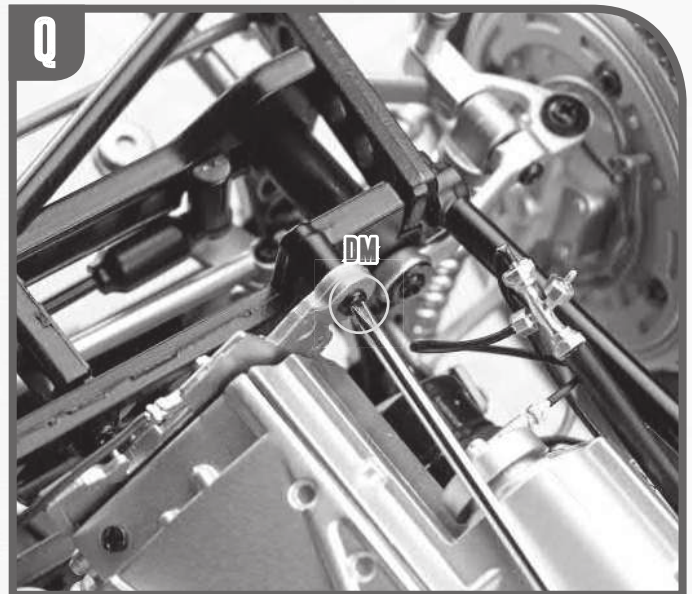
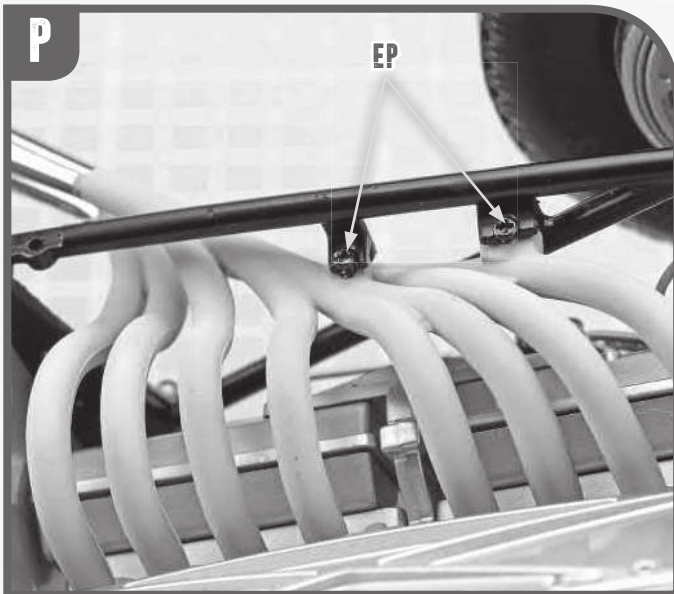
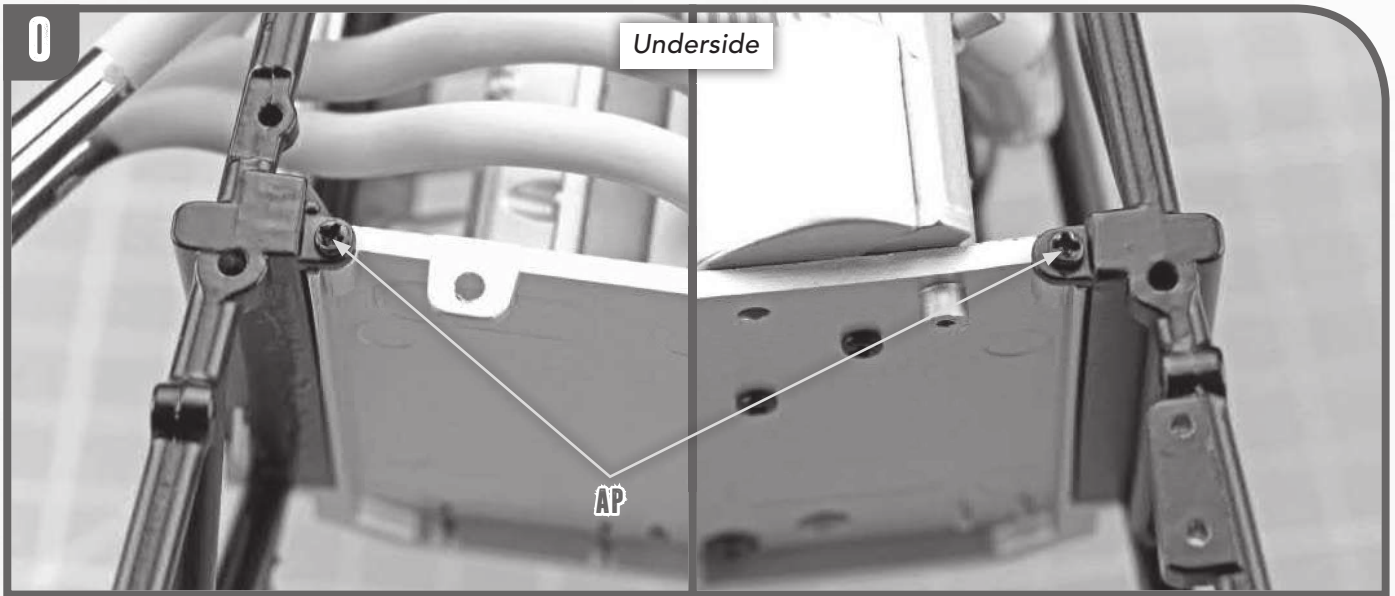
- 44A** Exhaust manifold
 - 44B** Flange
 - 44C** Accelerator rod 1
 - 44D** Lever 1
 - 44E** Spring
 - 44F** Lever 2
 - 44G** Accelerator rod 2
 - 44H** Lever 3
 - 44I** Fuel line 4 (replacement)
-
- AP** 3 screws (1.7x4mm)
 - EP** 3 screws (2x4mm)
 - HP** 2 screws (1.7x5mm)
 - JP** 3 screws (2.3x6mm)
 - KP** 3 screws (1.7x3mm)
 - DM** 5 screws (2x4mm)
 - JM** 3 screws (2x5mm)
 - MM** 2 screws (2x7mm)



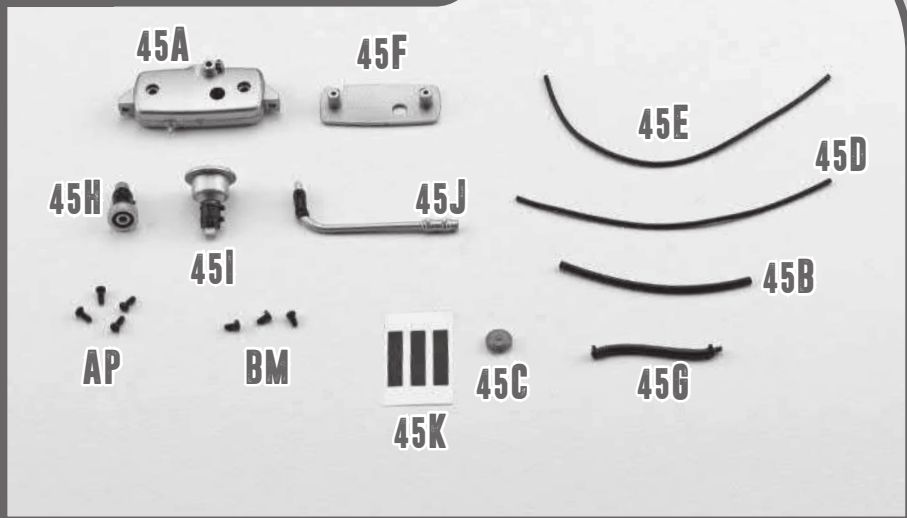


stepbystep #44

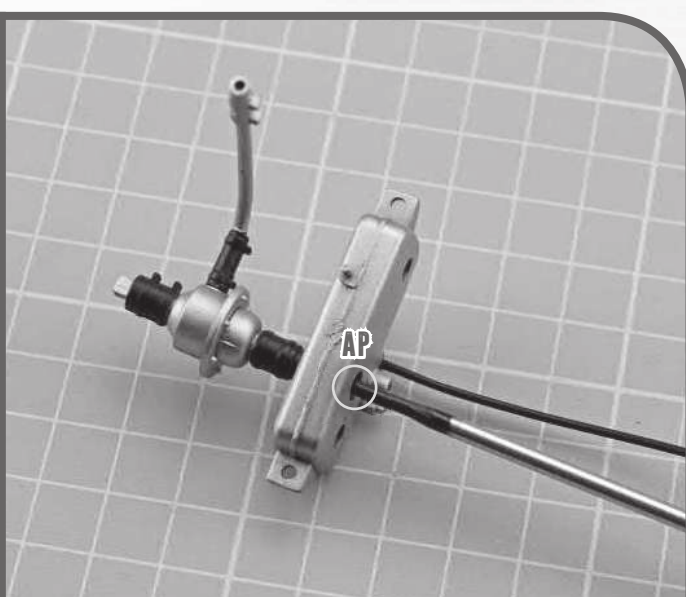
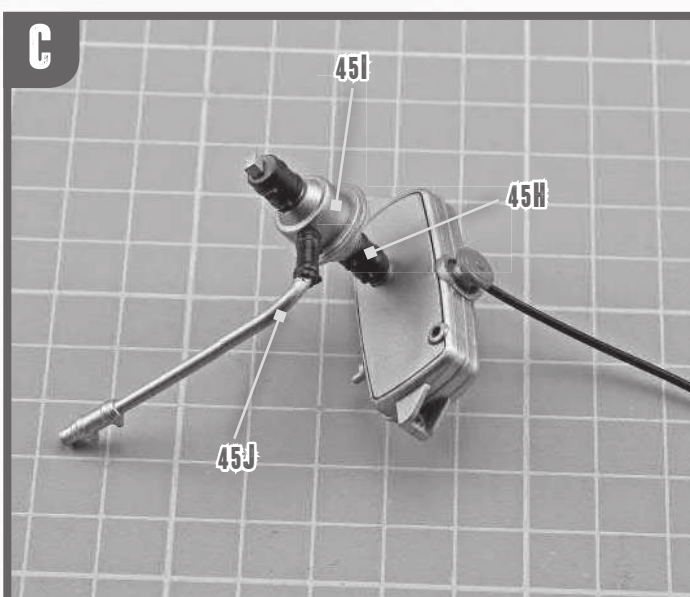
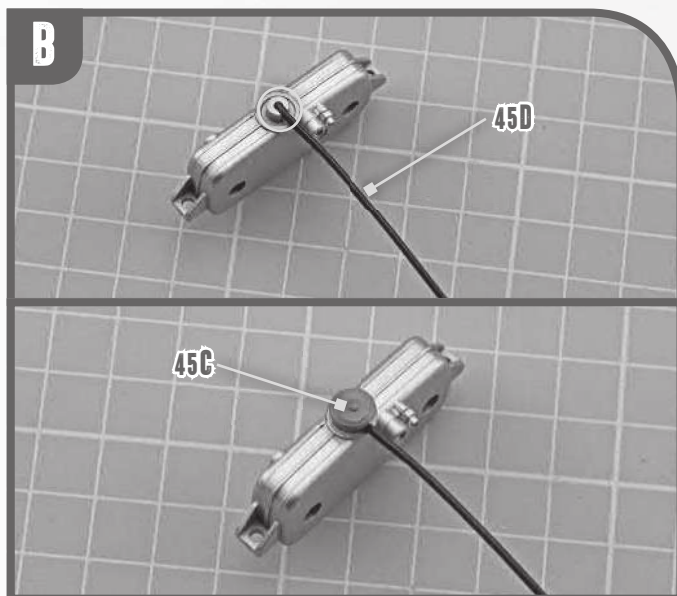
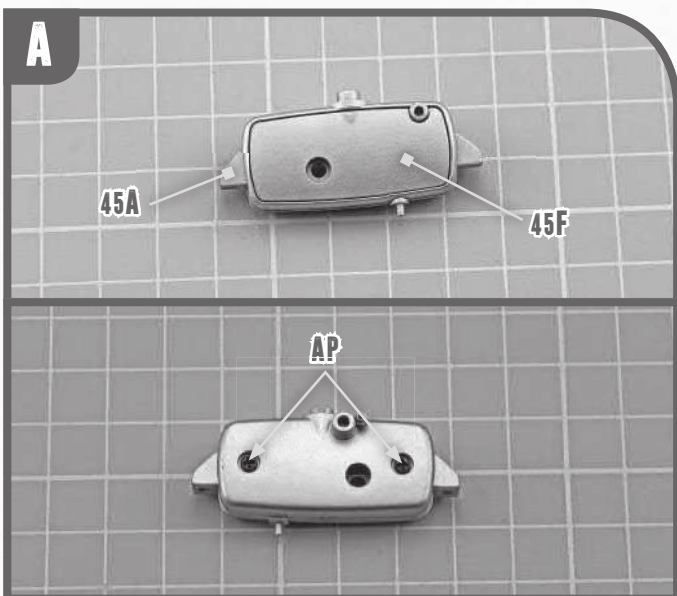


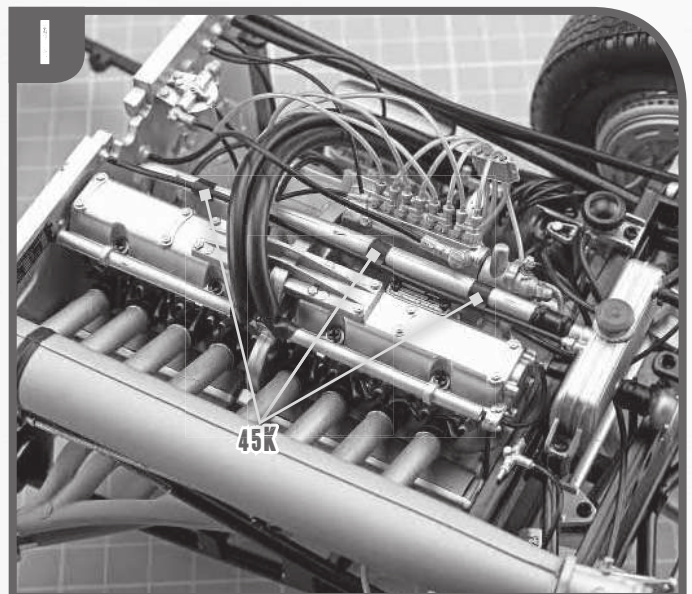
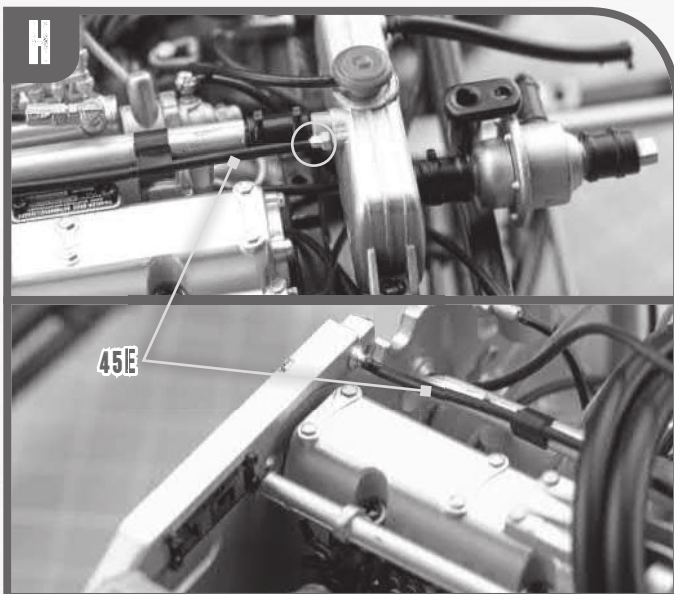
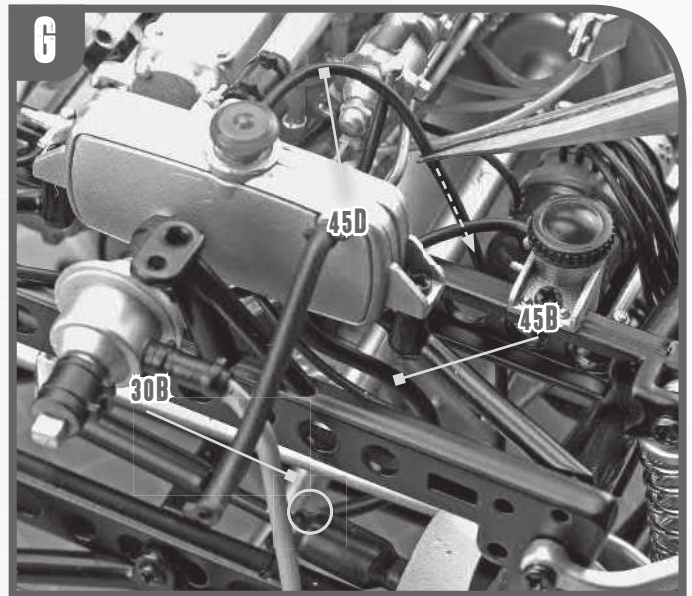
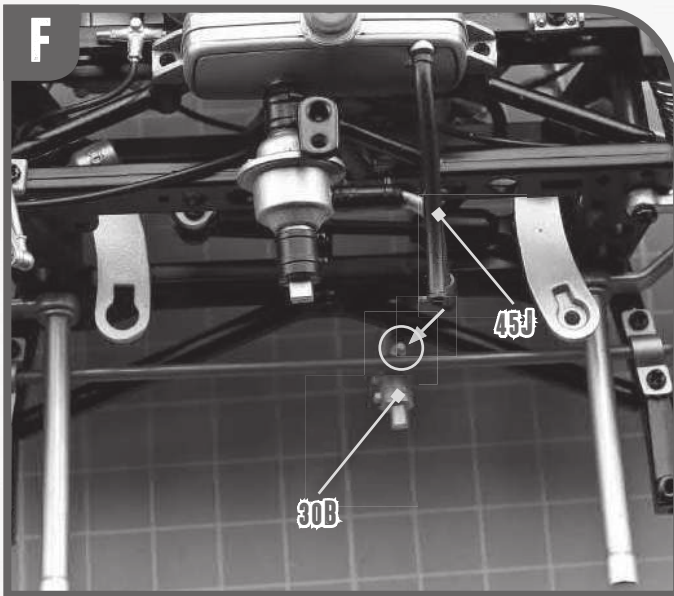
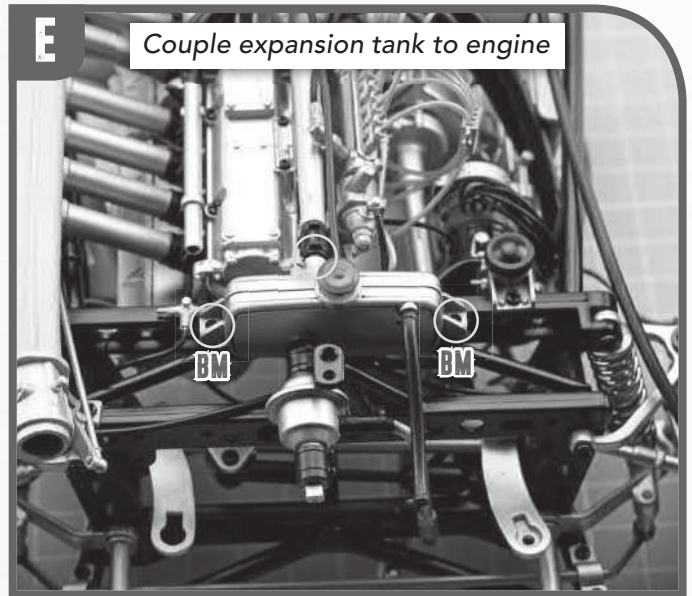
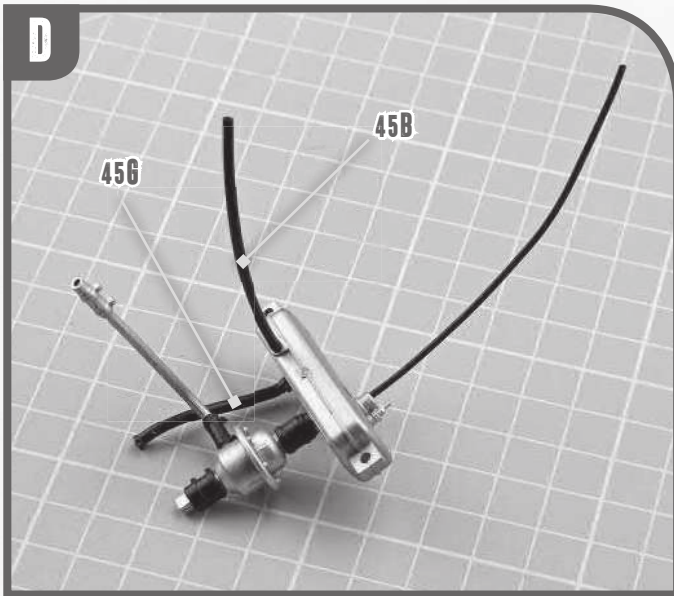


45 PARTS LIST



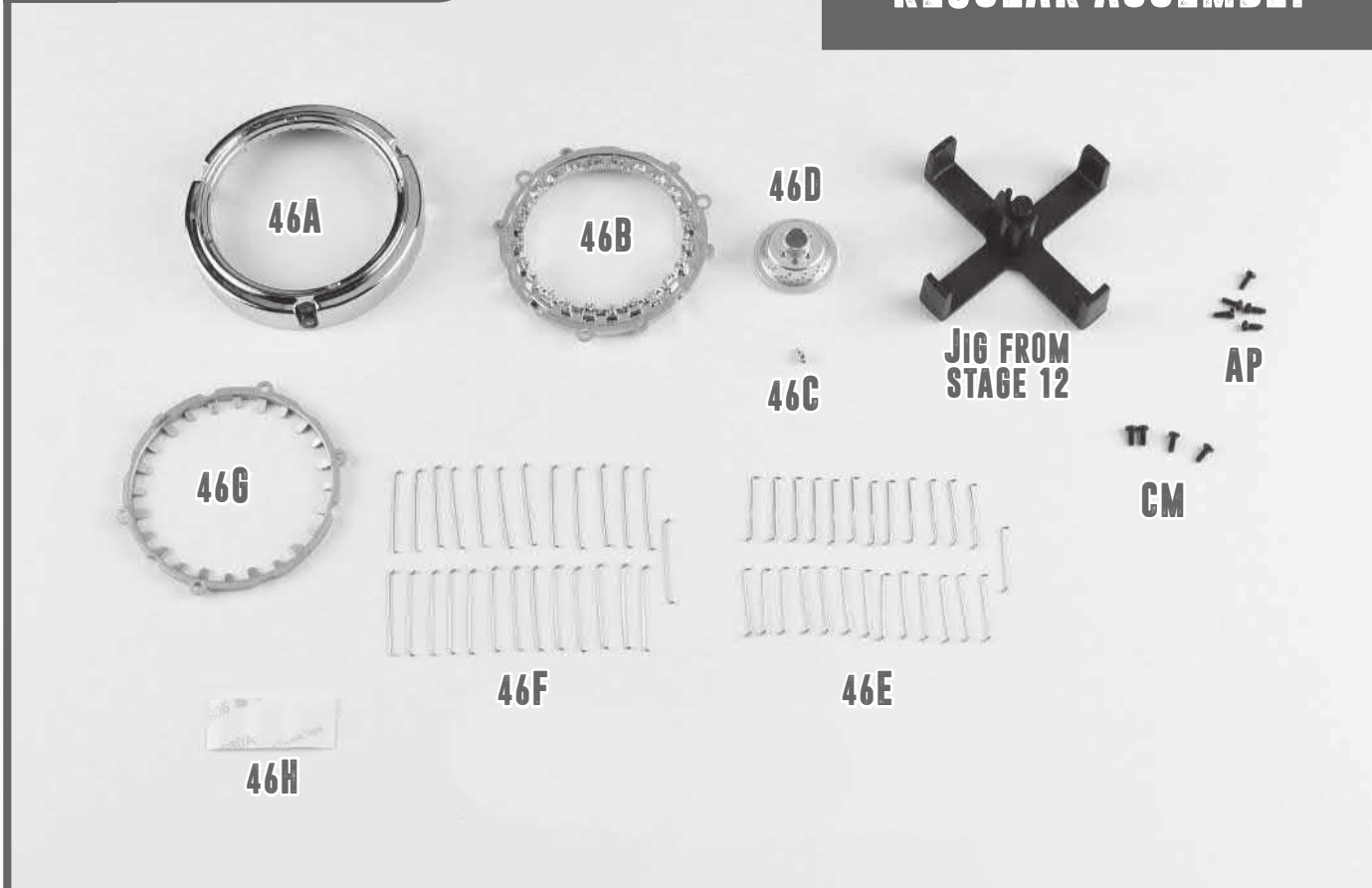
- 45A** Expansion tank part A
- 45B** Tube 1
- 45C** Cap
- 45D** Tube 2
- 45E** Tube 3
- 45F** Expansion tank part B
- 45G** Pipe 1
- 45H** Pipe 2
- 45I** Pipe 3
- 45J** Pipe 4
- 45K** Adhesive tape
- AP** 4 screws (1.7x4mm)
- BM** 3 screws (1.7x3mm)





46 PARTS LIST

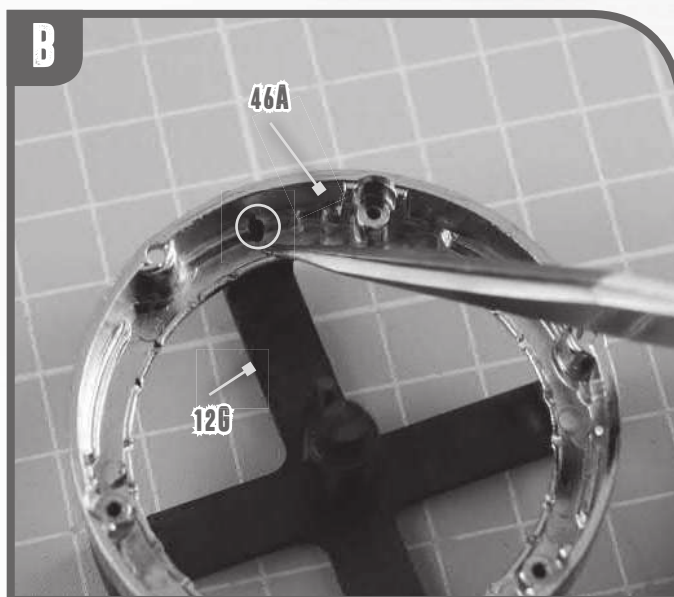
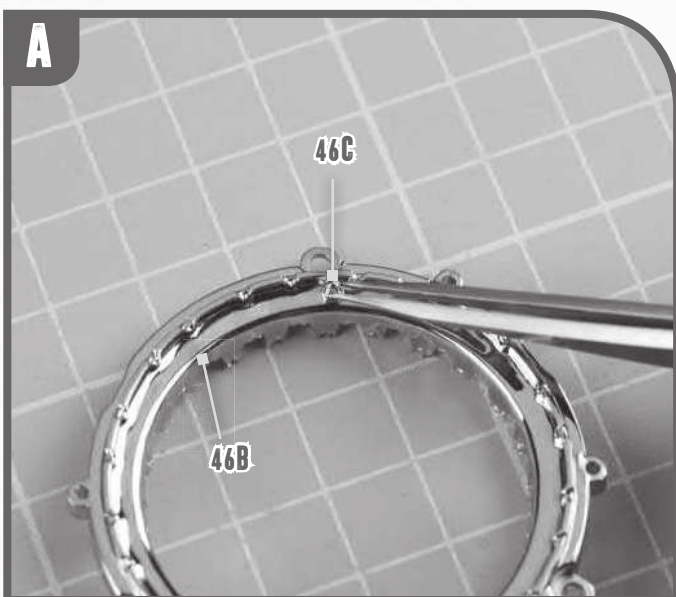
REGULAR ASSEMBLY



- 46A** Outer rim
- 46B** Central ring 1
- 46C** Inflation valve
- 46D** Hub 1

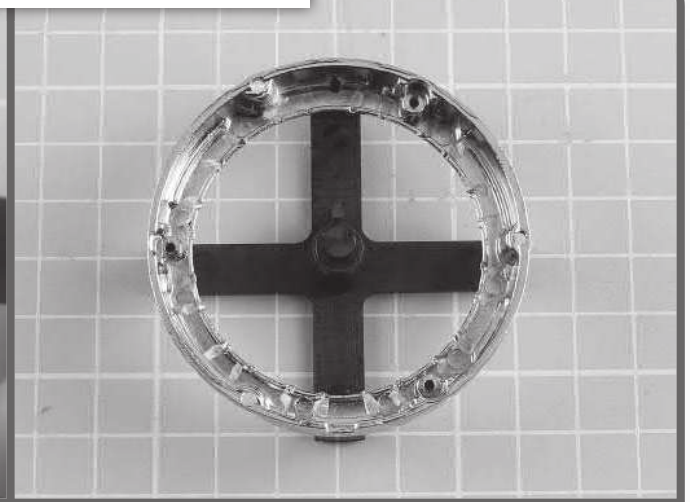
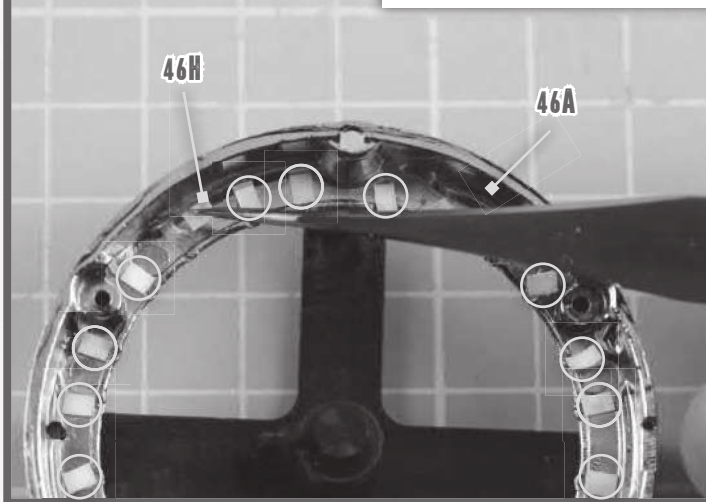
- 46E** Spokes 1
- 46F** Spokes 2
- 46G** Central ring 2
- 46H** Double-sided tape

- AP** 5 screws (1.7x4mm)
- CM** 4 screws (1.7x4mm)

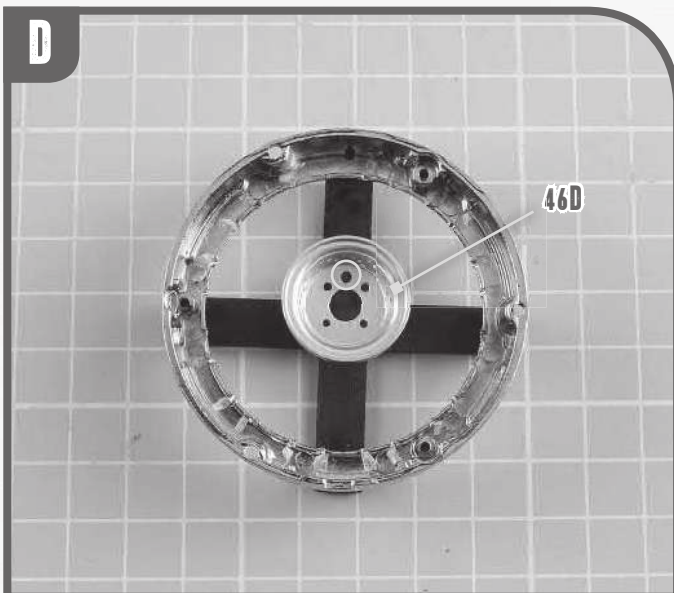


C

Apply 24 pieces of double-sided tape 46H to 46A's inner profile and tear off their top sheets.

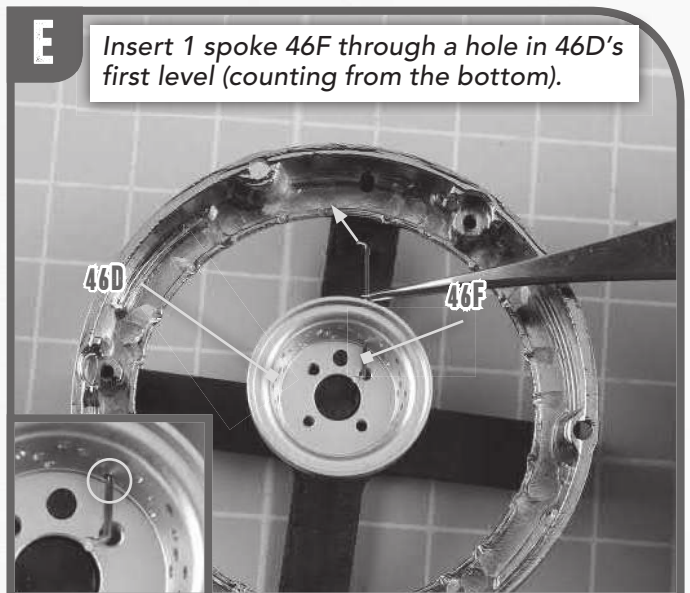


D



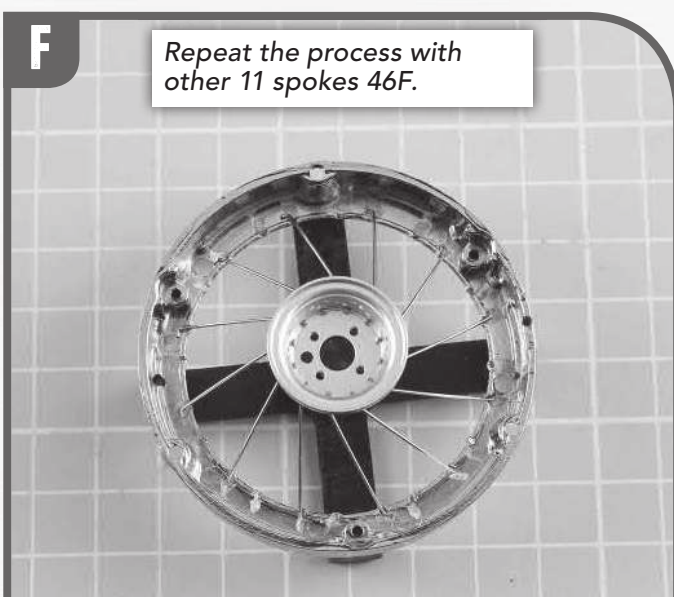
E

Insert 1 spoke 46F through a hole in 46D's first level (counting from the bottom).



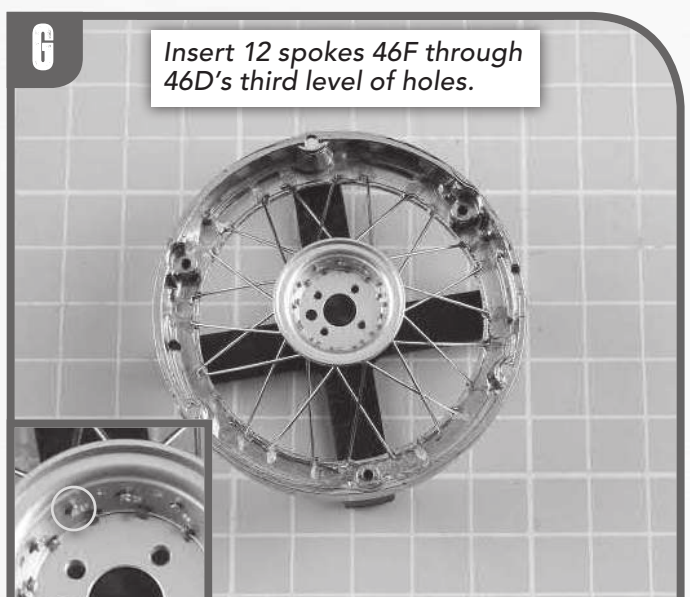
F

Repeat the process with other 11 spokes 46F.

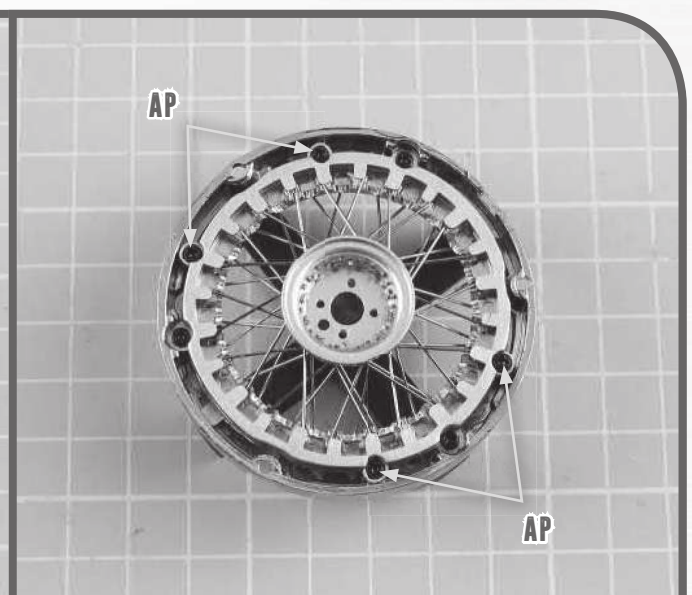
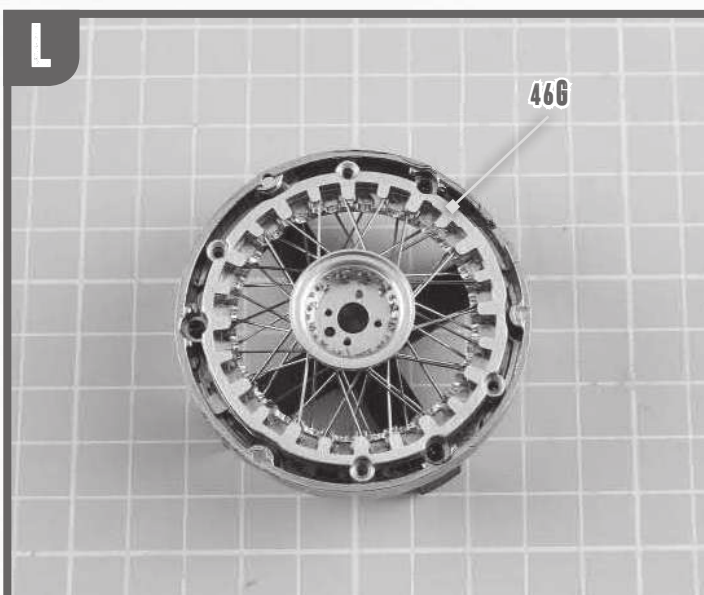
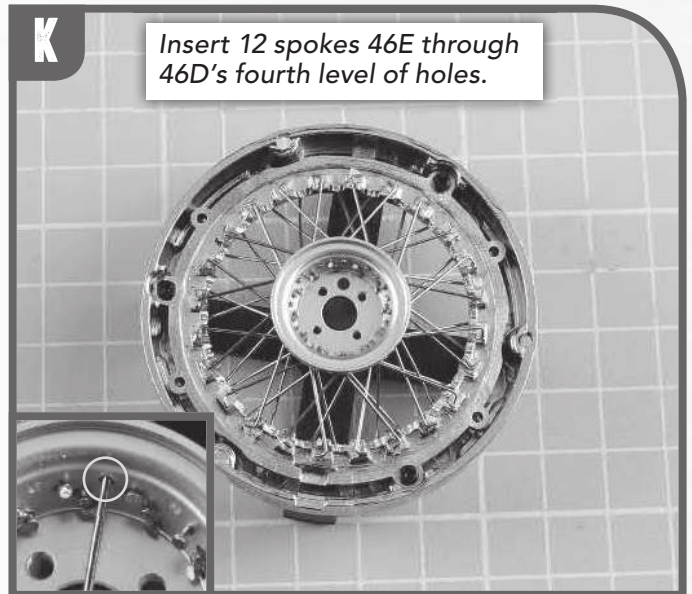
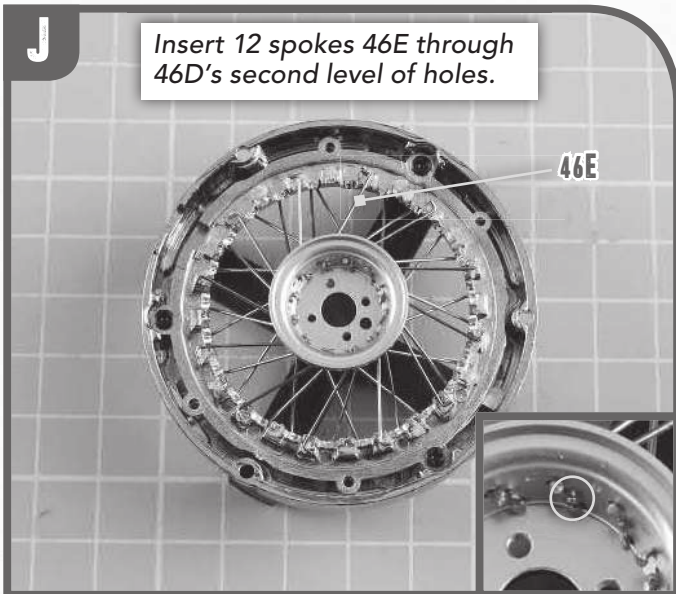
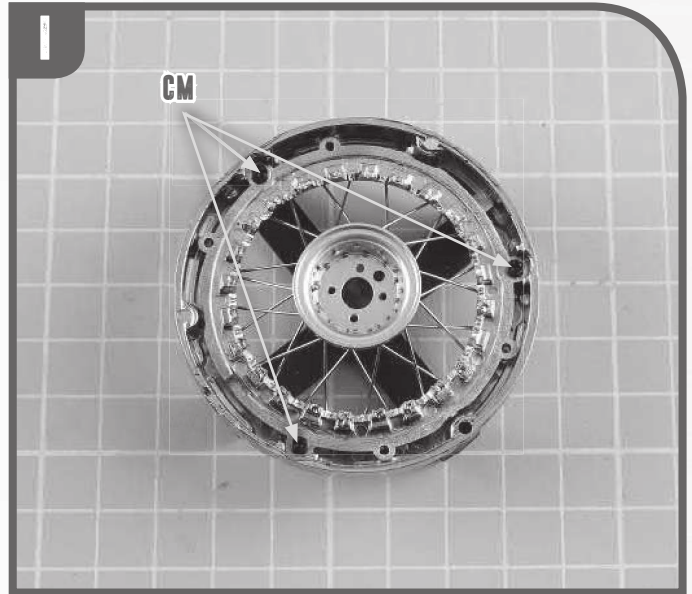
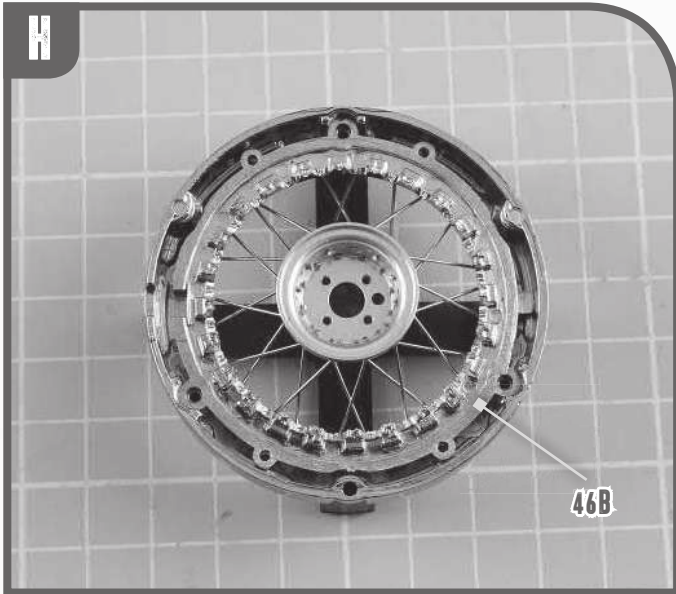


G

Insert 12 spokes 46F through 46D's third level of holes.

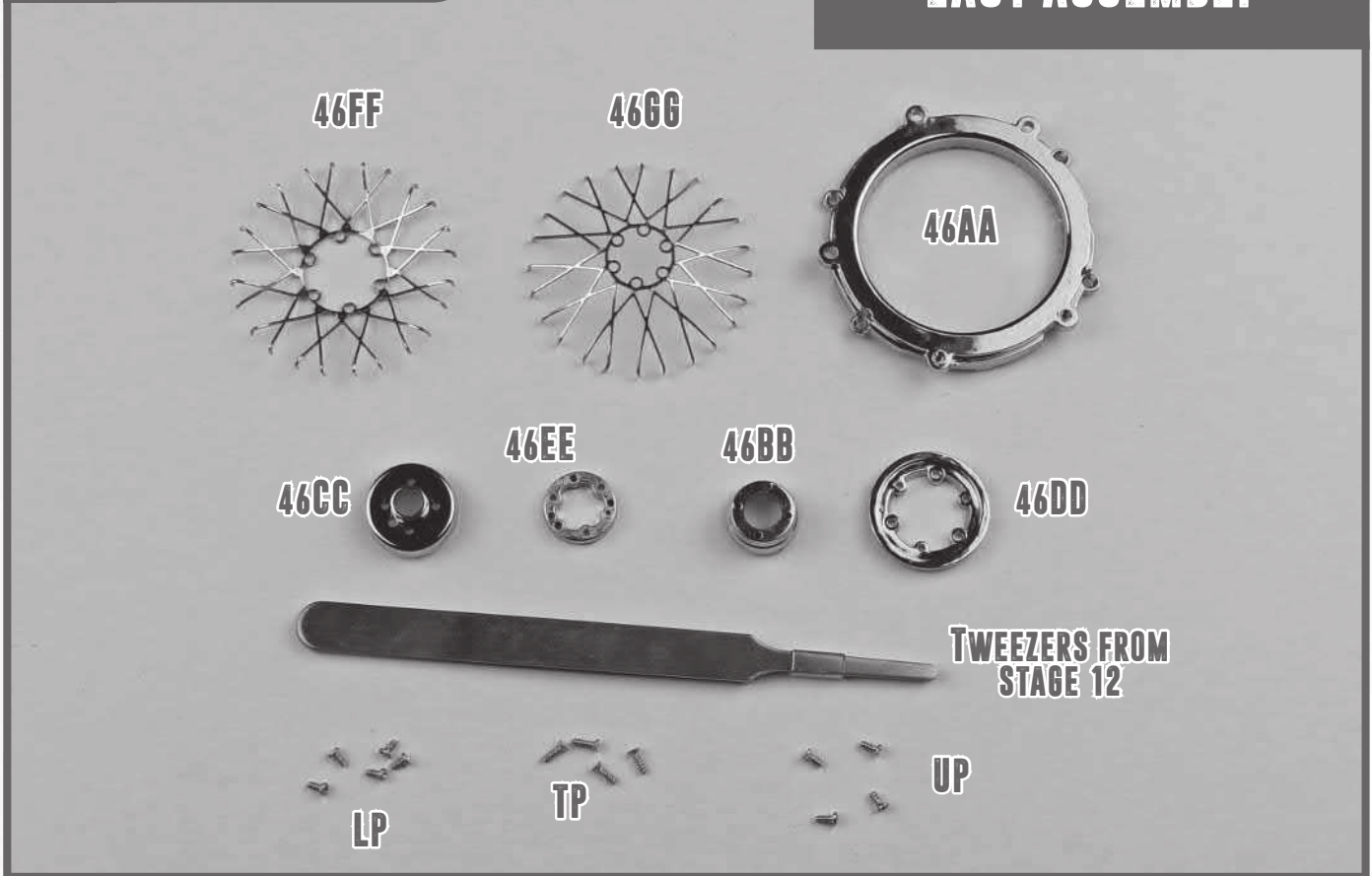


stepbystep #46



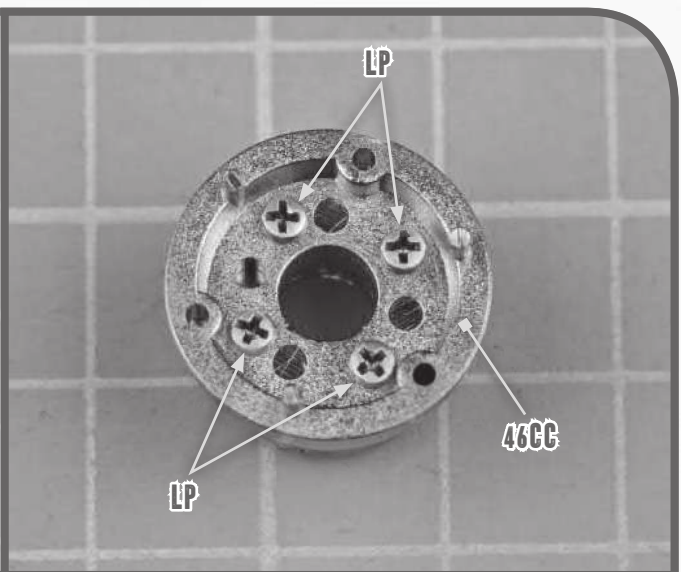
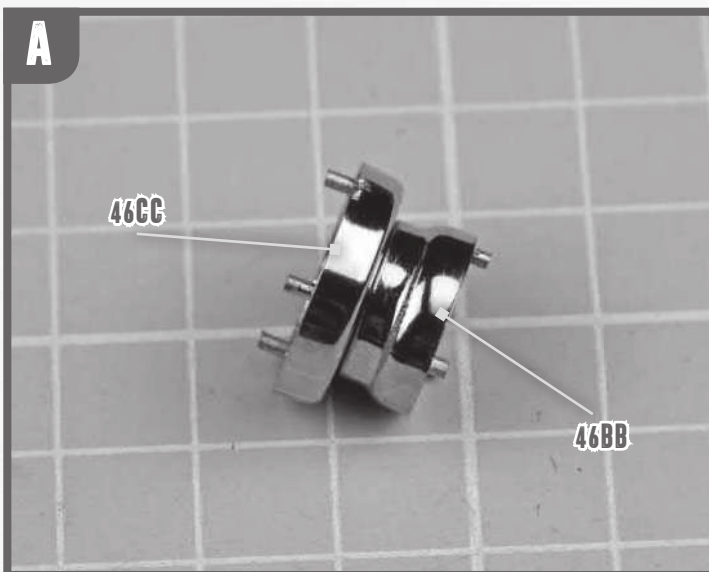
46B PARTS LIST

EASY ASSEMBLY

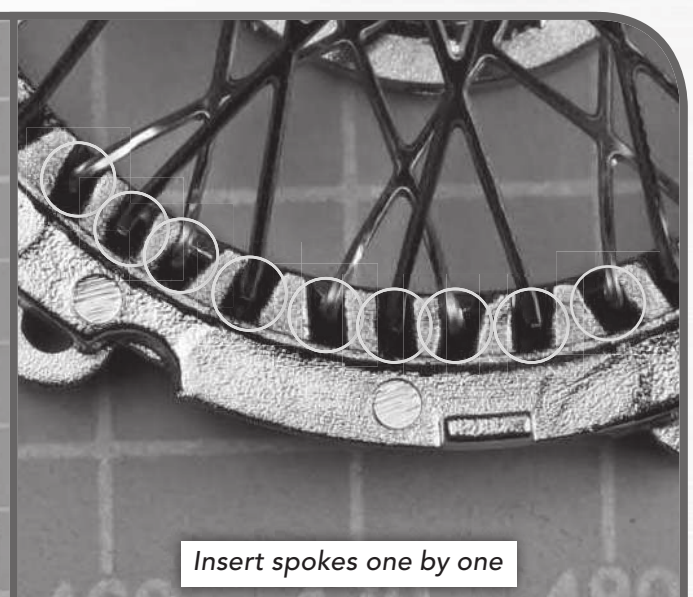
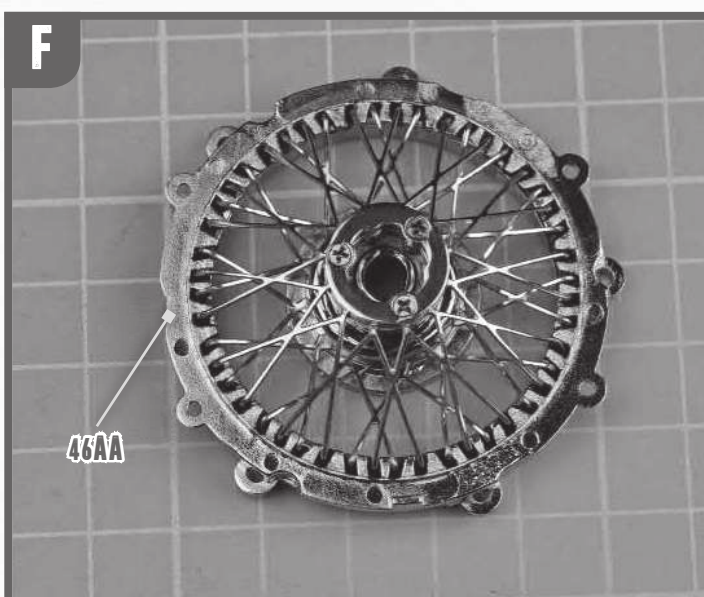
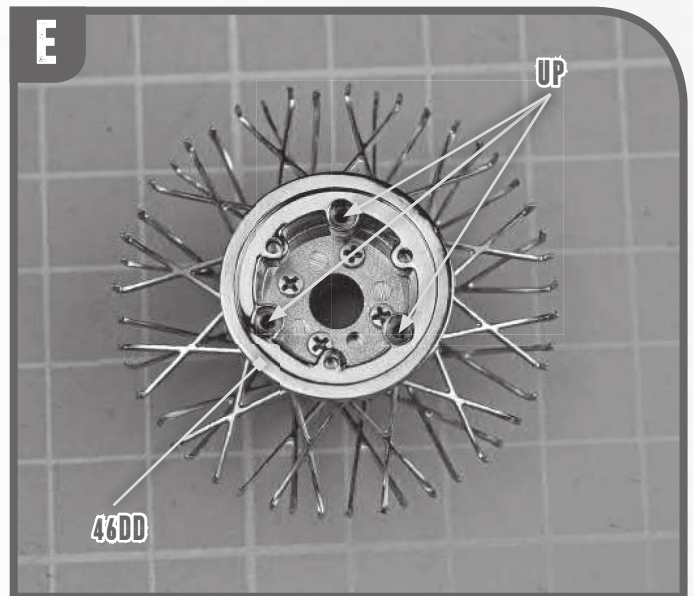
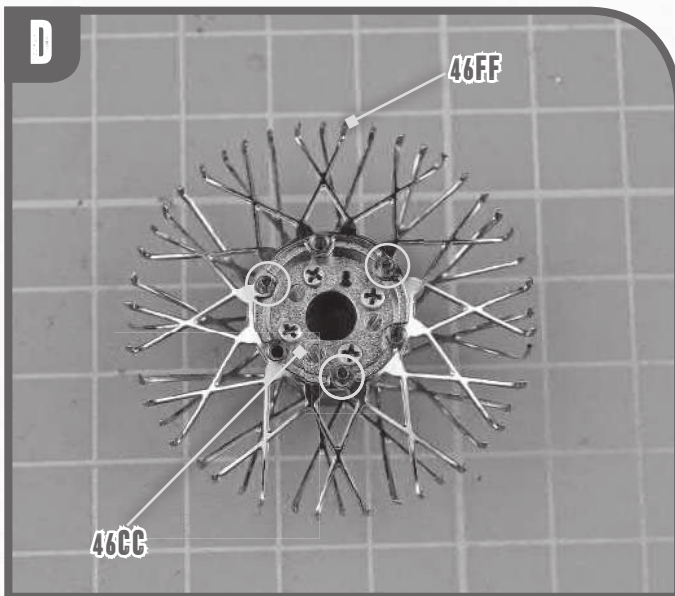
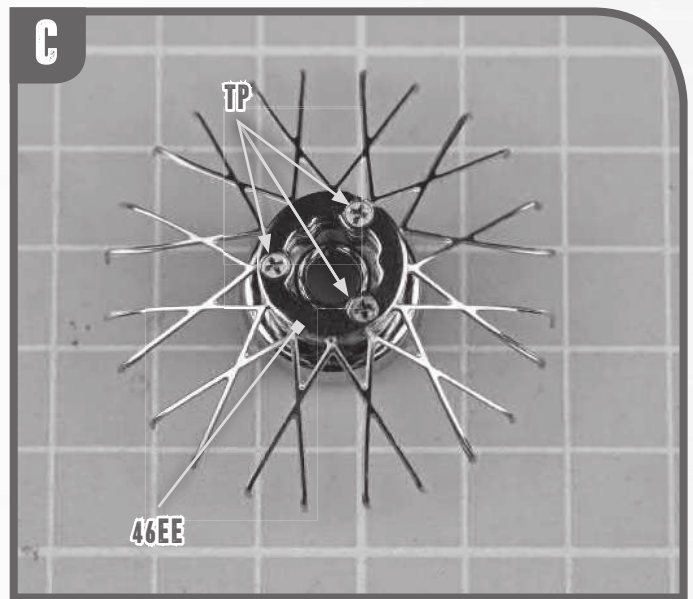
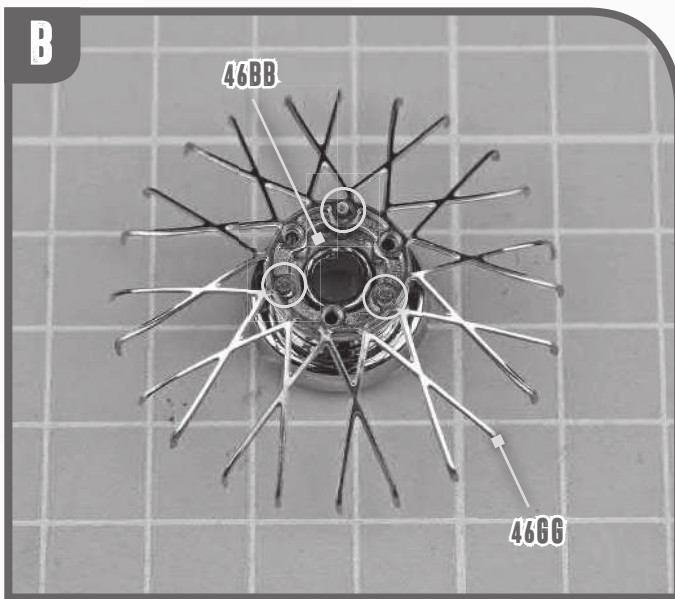


- 46AA** Central ring 1
- 46BB** Hub 1
- 46CC** Hub 2
- 46DD** Hub 3
- 46EE** Hub 4
- 46FF** Spokes 1

- 46GG** Spokes 2
- LP** 5 screws (1.5x3mm)
- TP** 4 screws (1.5x5mm)
- UP** 4 screws (1.7x4mm)



stepbystep #46B

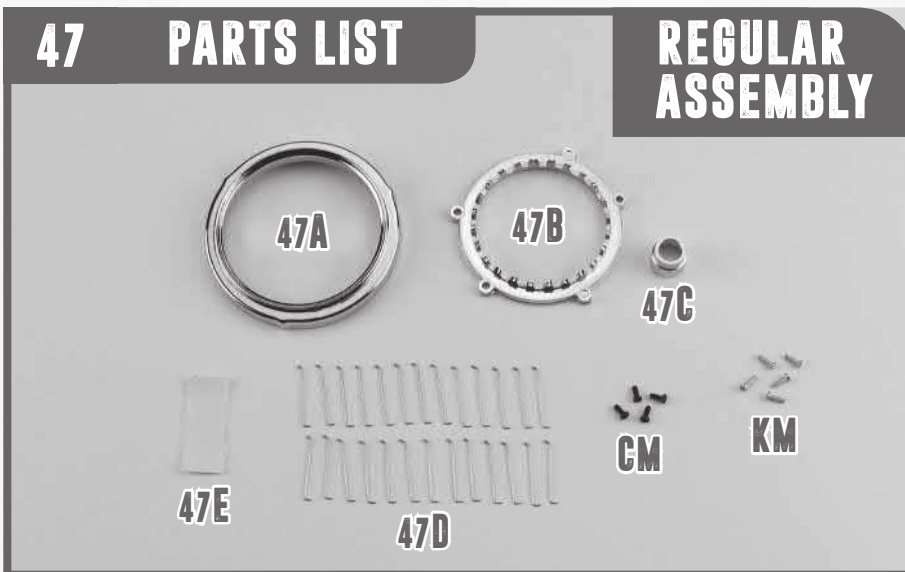


47 PARTS LIST

REGULAR ASSEMBLY

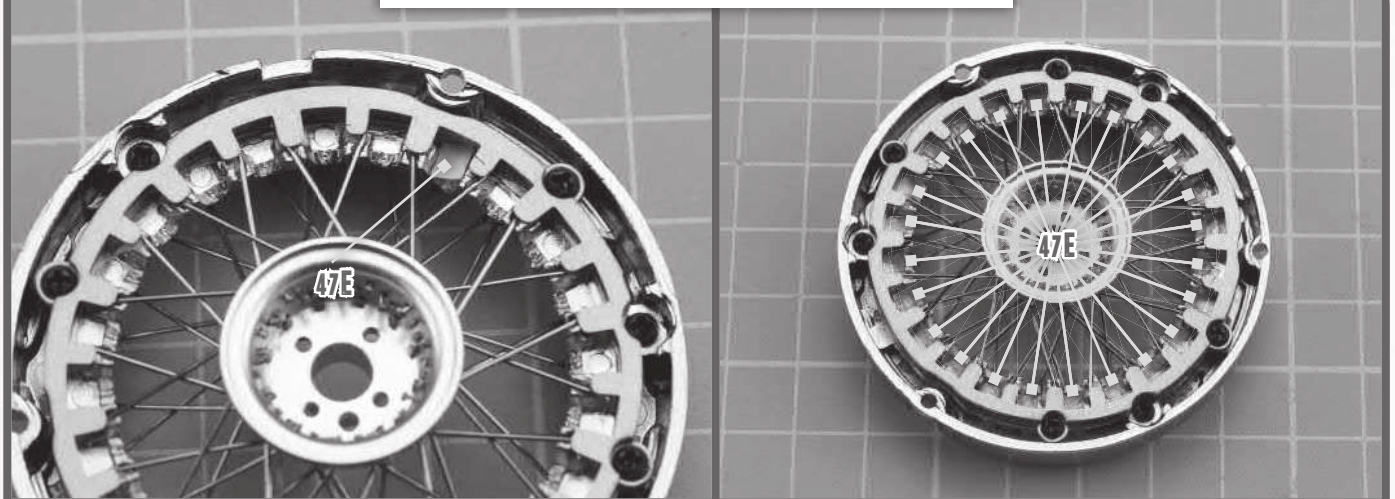
- 47A** Inner rim
- 47B** Central ring 3
- 47C** Hub 2
- 47D** Spokes 3
- 47E** Double-sided tape

- CM** 4 screws (1.7x4mm)
- KM** 5 screws (1.5x5mm)



A

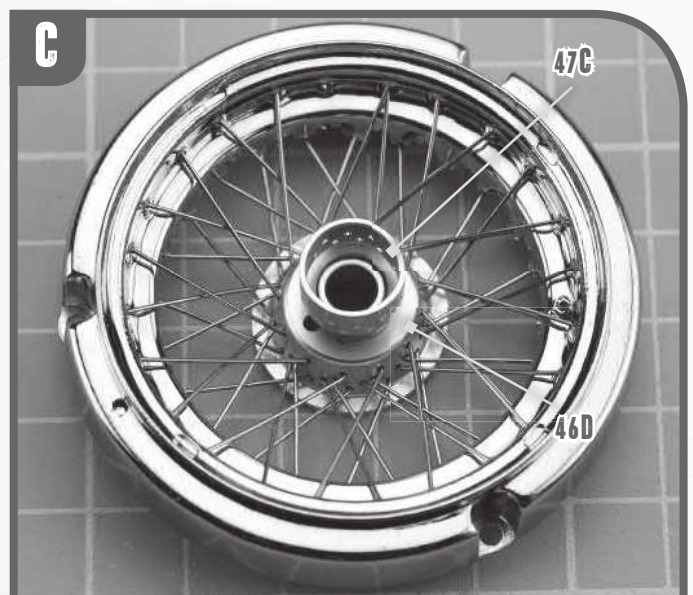
Apply 24 pieces of double-sided tape 47E to 46B's inner profile and tear off their top sheets.



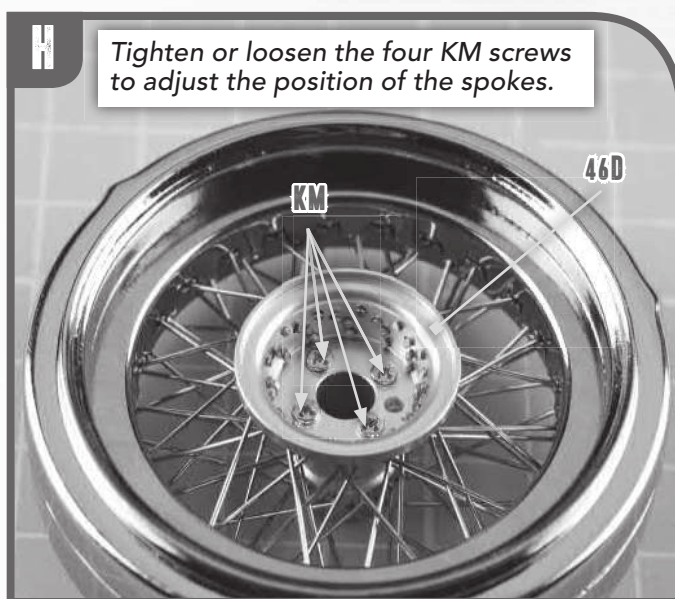
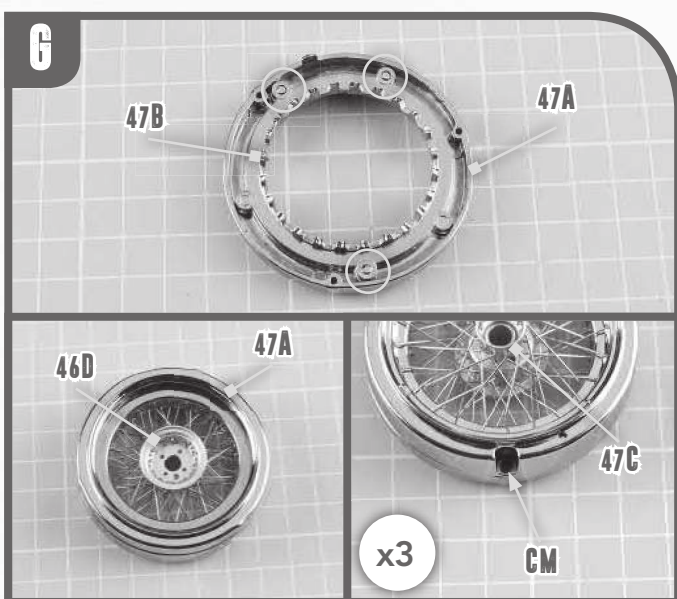
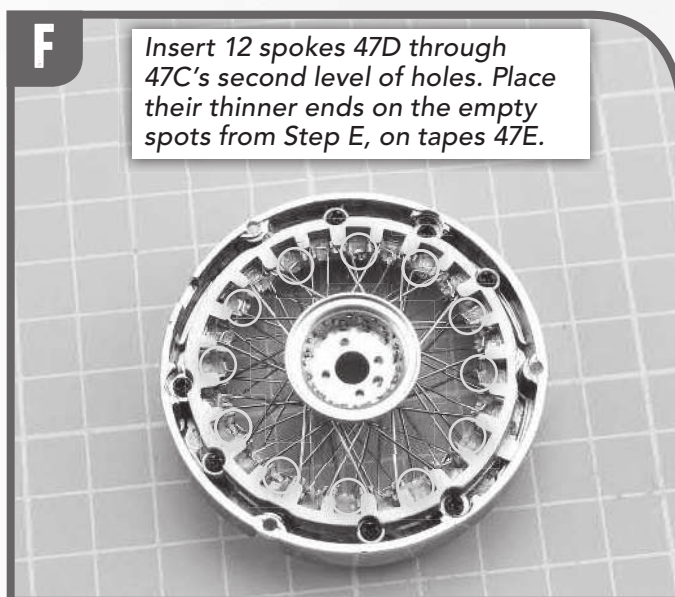
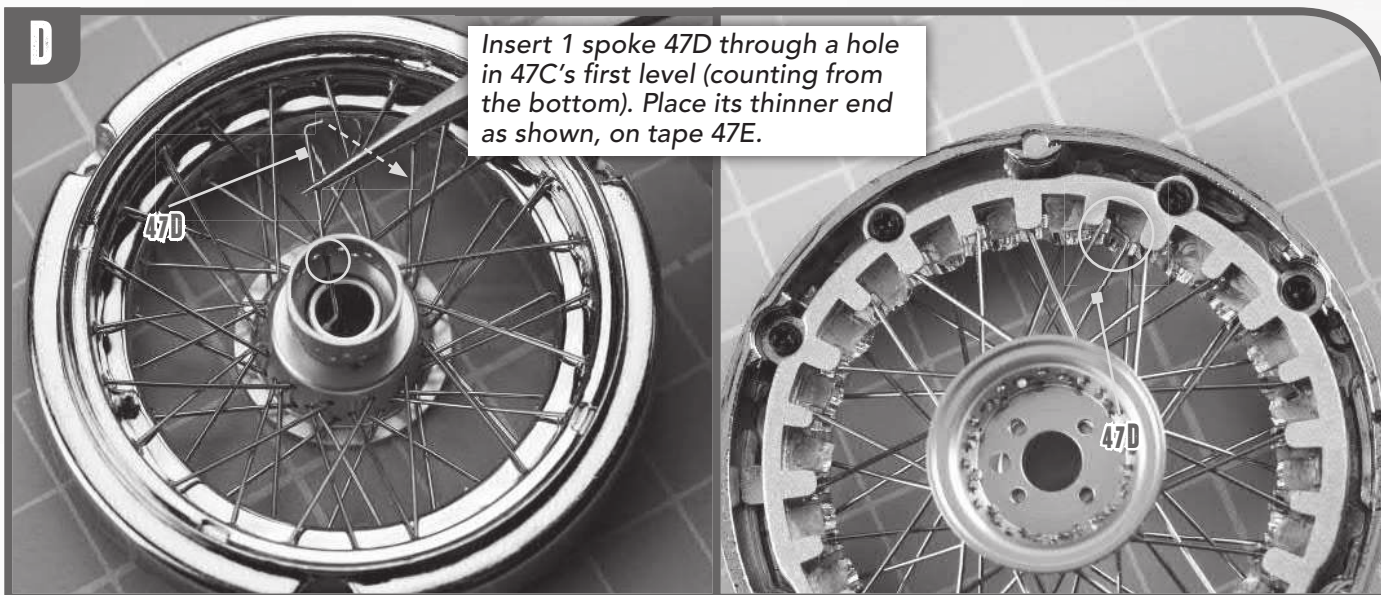
B



C



stepbystep #47

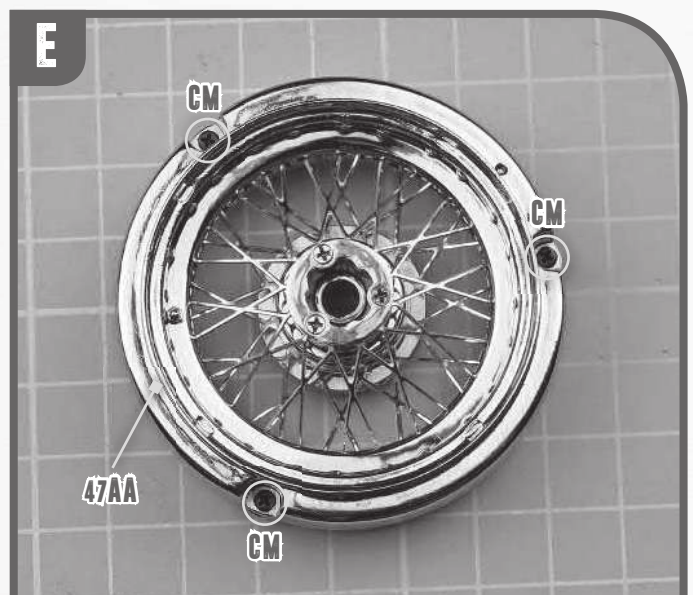
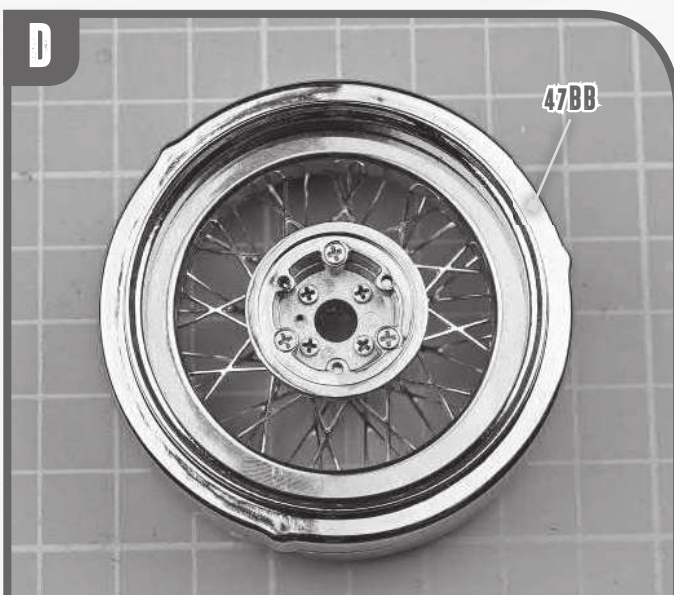
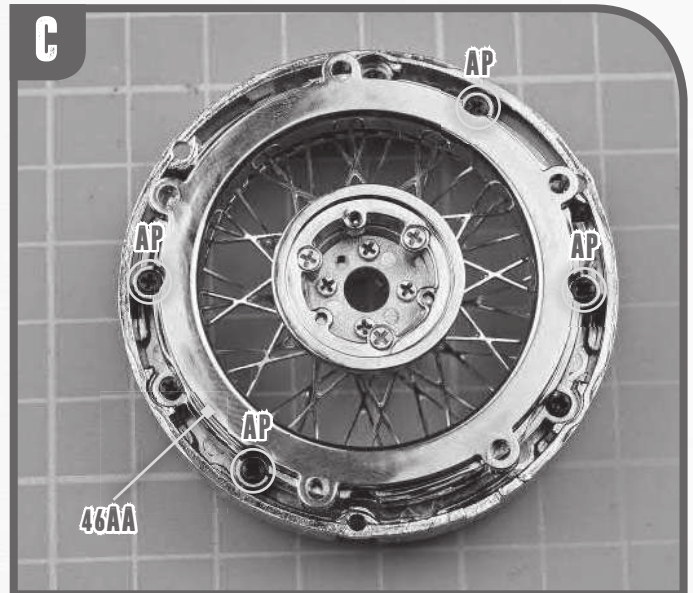
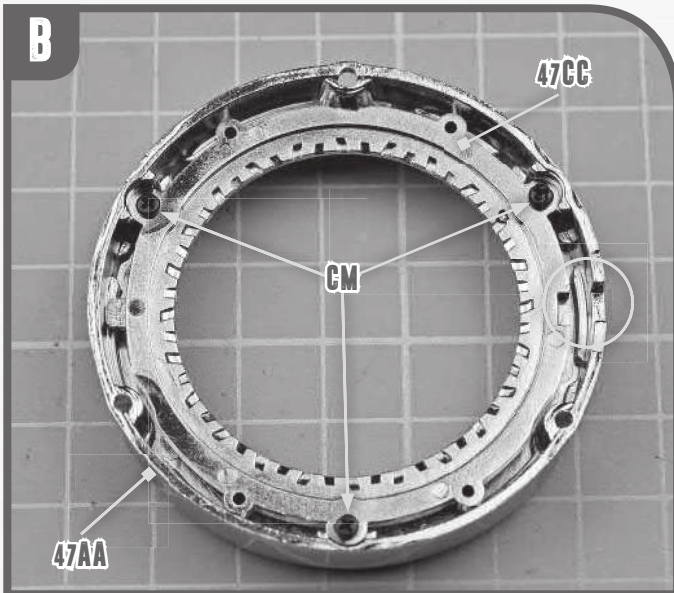


47B PARTS LIST

EASY ASSEMBLY

- 47AA** Outer rim
- 47BB** Inner rim
- 47CC** Central ring 2
- 47DD** Inflation valve

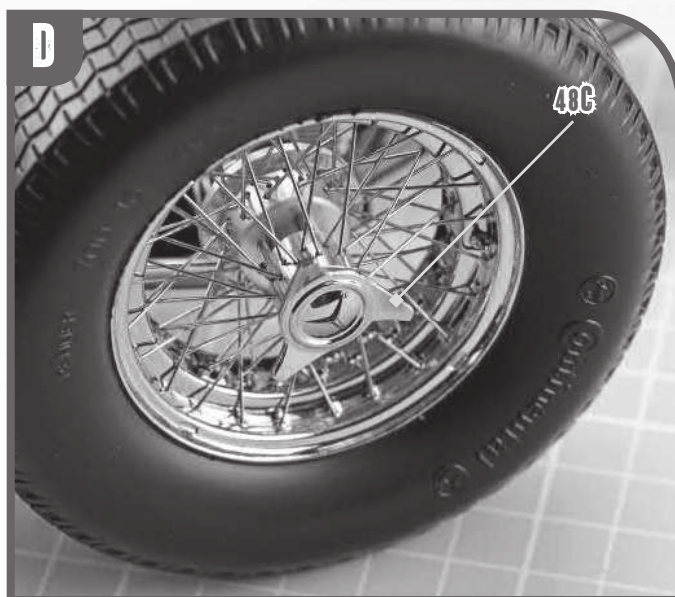
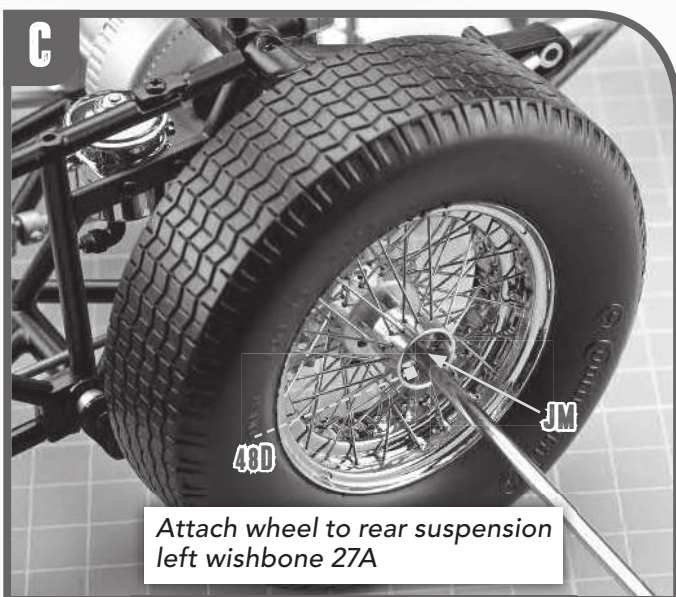
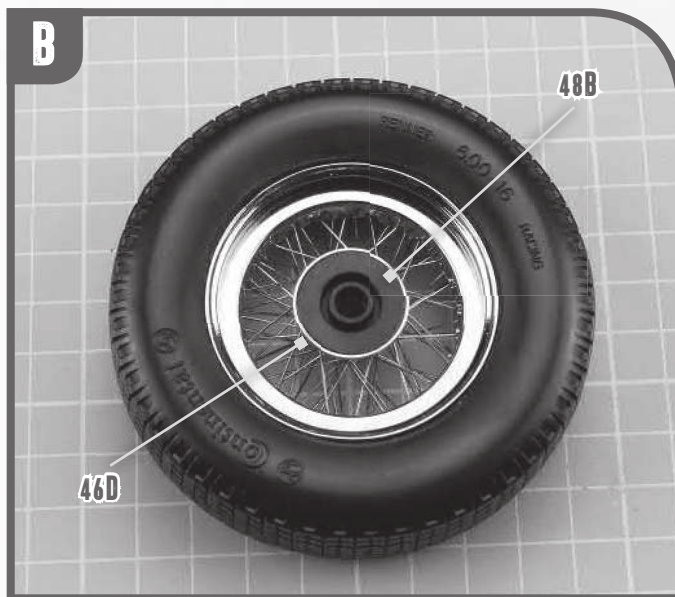
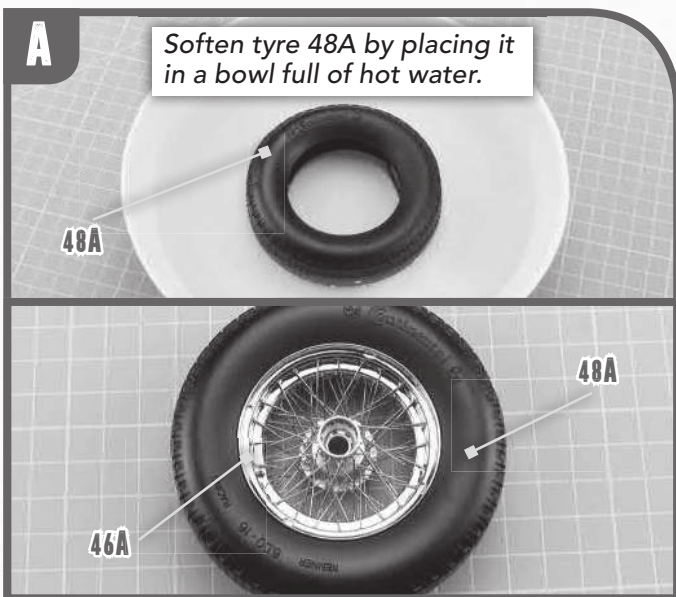
- AP** 5 screws (1.7x4mm)
- CM** 8 screws (1.7x4mm)



48 PARTS LIST

REGULAR ASSEMBLY

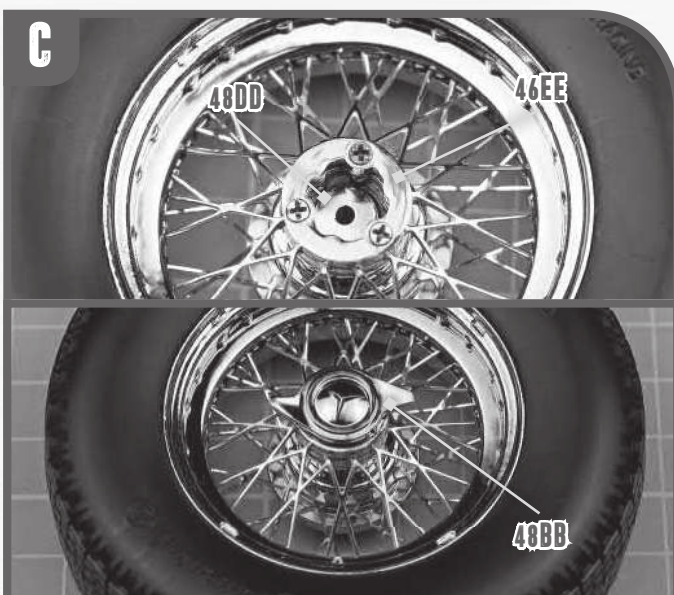
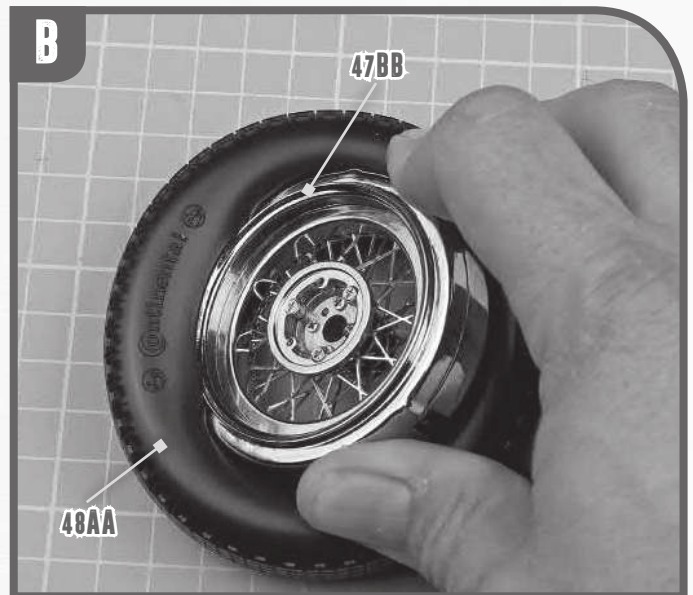
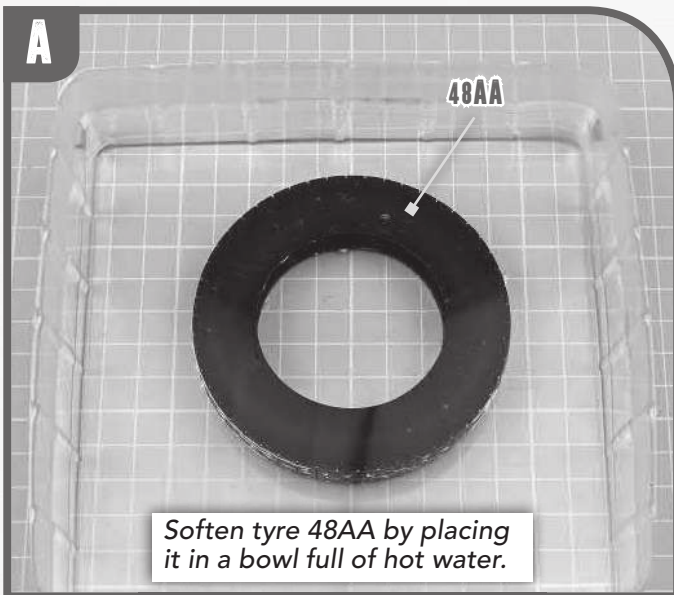
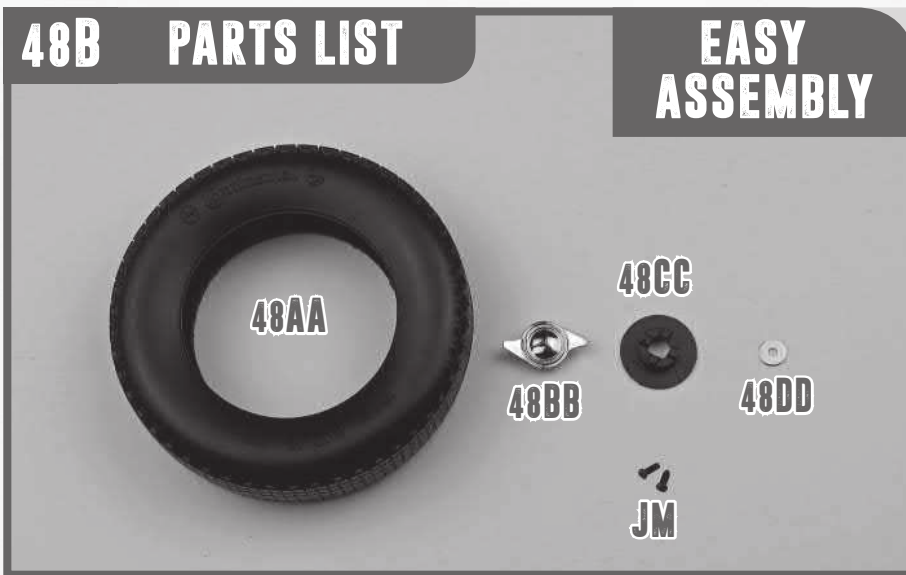
- 48A** Tyre
- 48B** Hub 3
- 48C** Hubcap
- 48D** Washer ring
- JM** 2 screws (2x5mm)



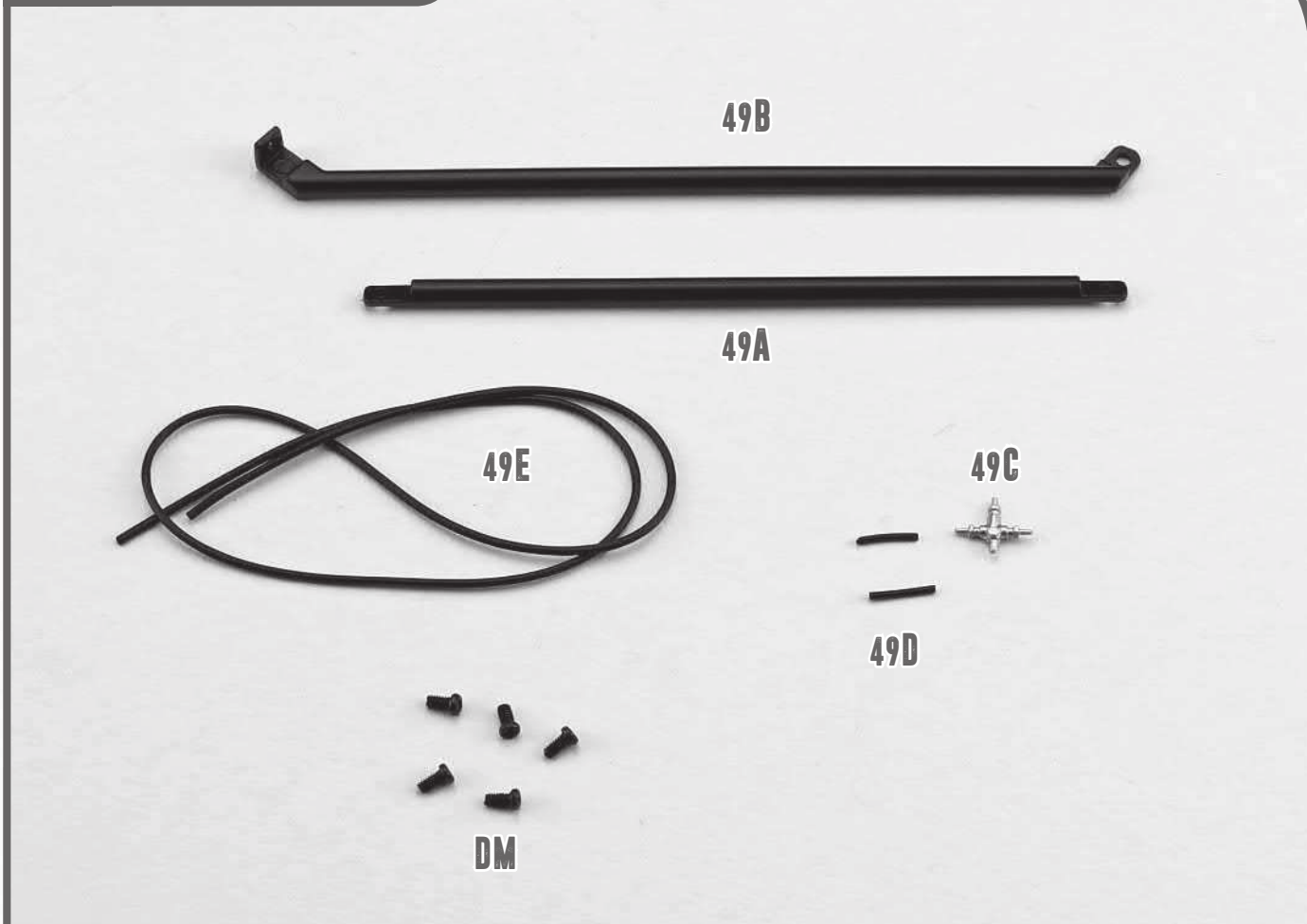
48B PARTS LIST

EASY ASSEMBLY

- 48AA** Tyre
- 48BB** Hubcap
- 48CC** Hub 5
- 48DD** Washer ring
- JM** 2 screws (2x5mm)



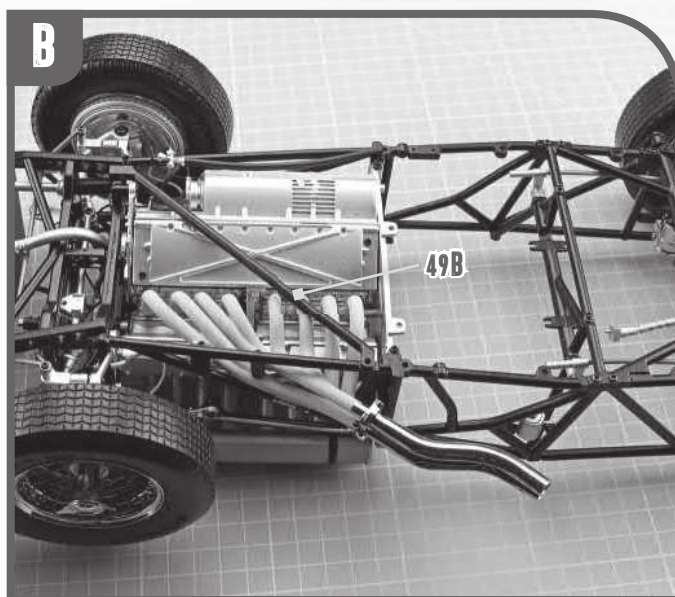
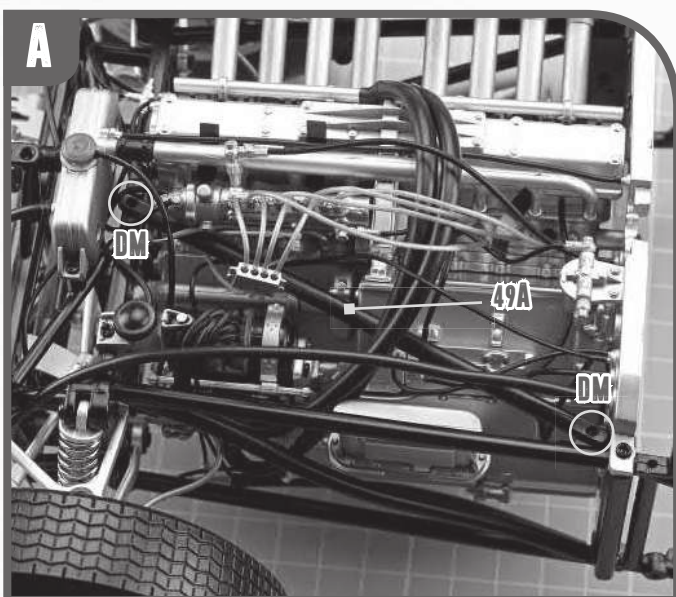
49 PARTS LIST

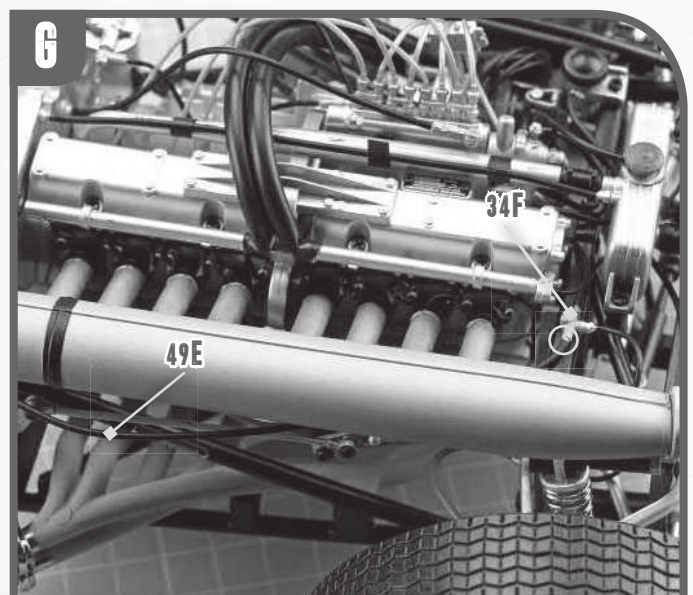
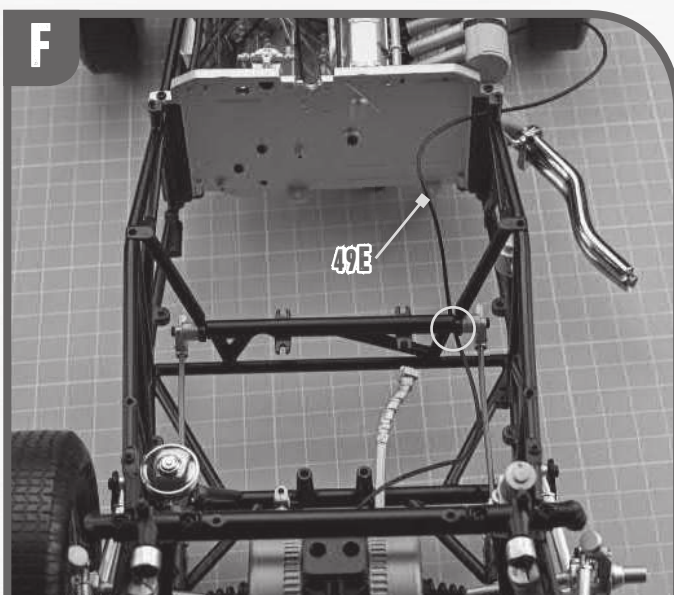
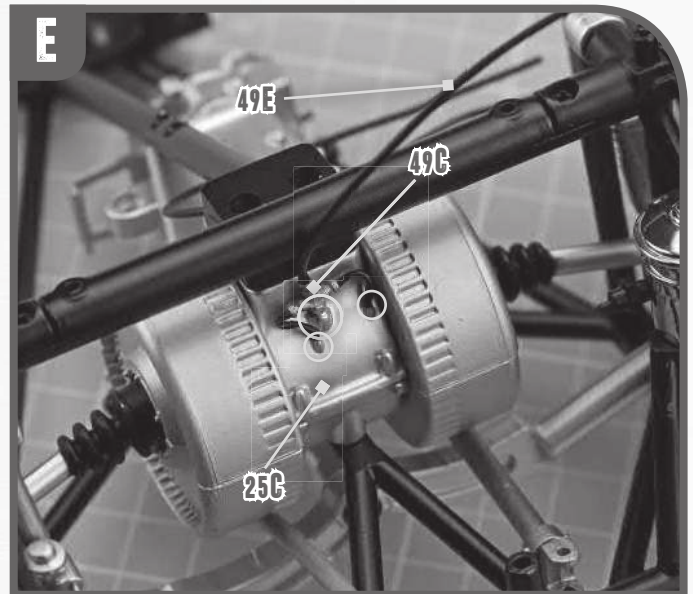
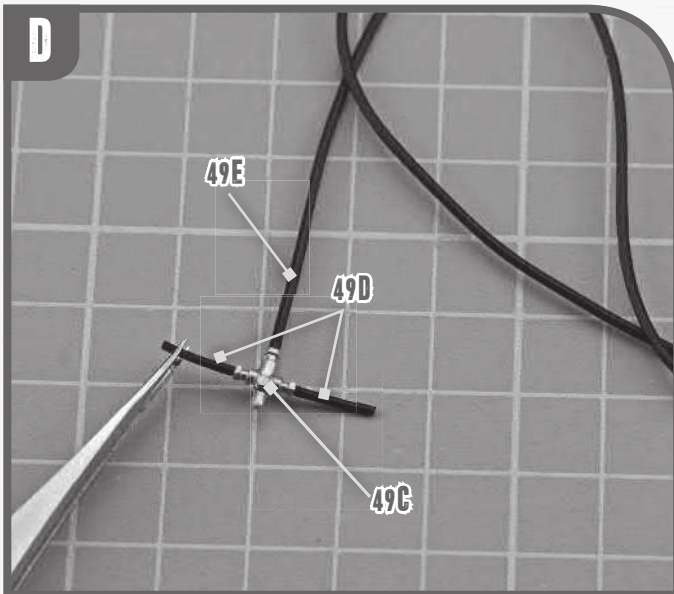
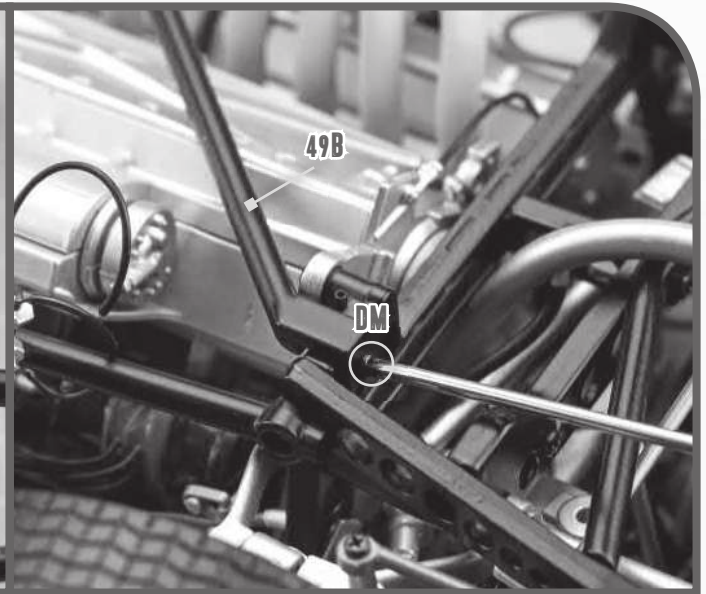
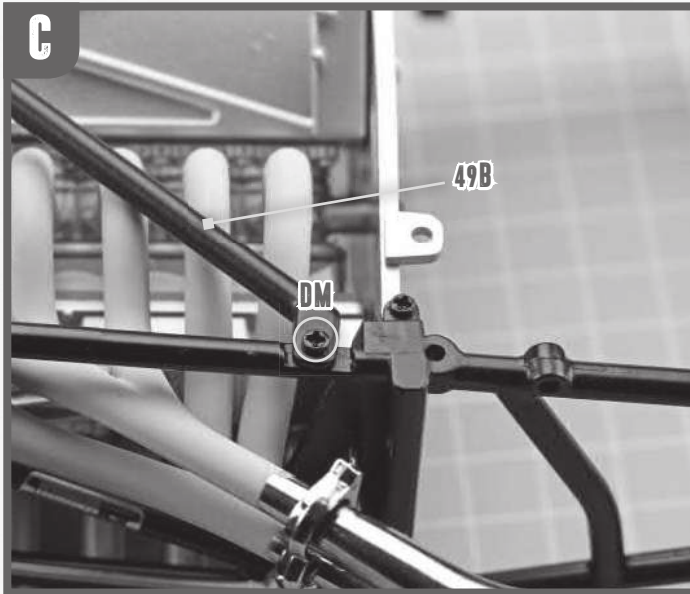


49A Front chassis upper rod
49B Front chassis lower rod
49C Rear brakes distributor

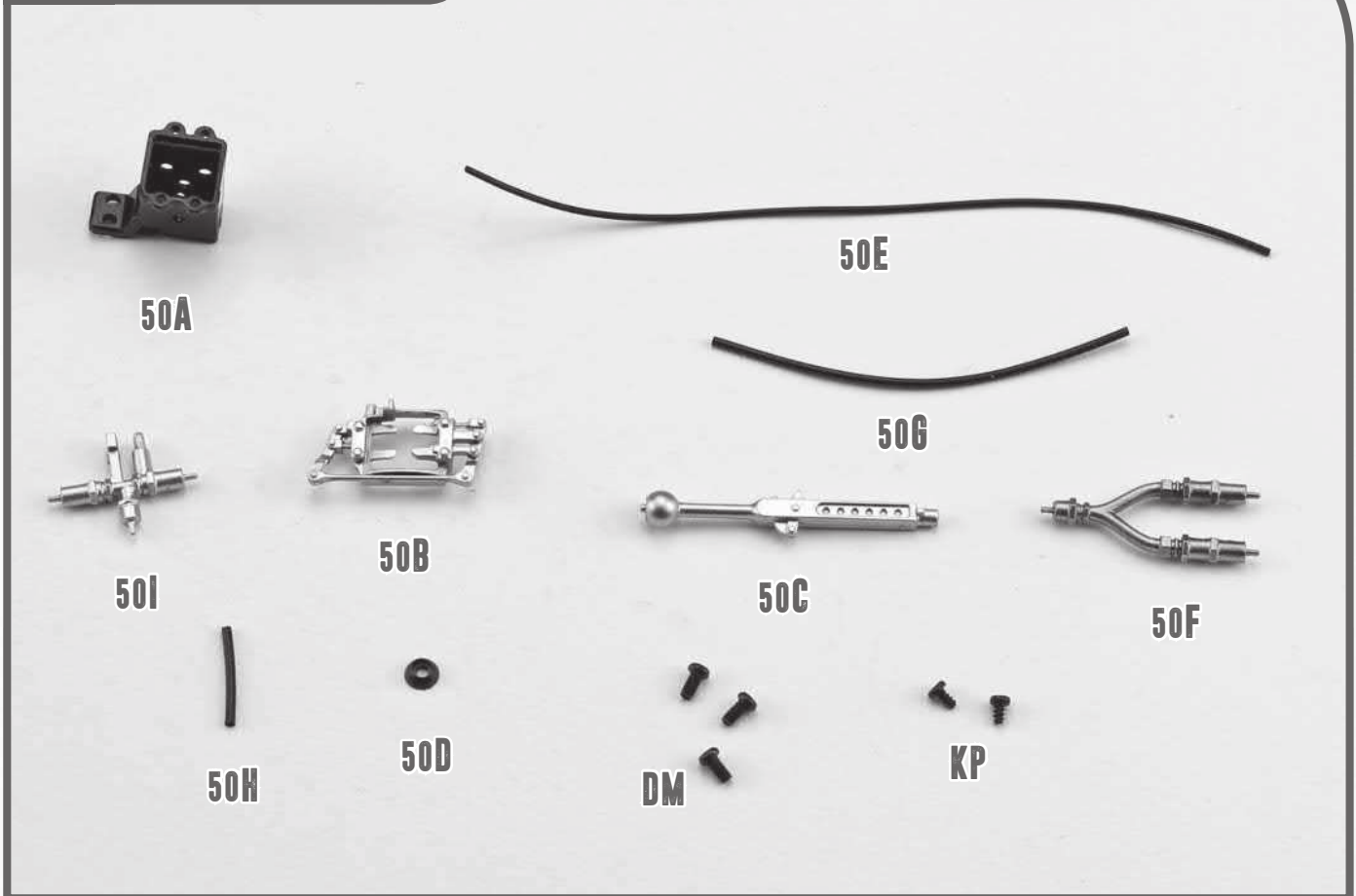
49D Tubes (x2)
49E Rear brakes line

DM 5 screws (2x4mm)





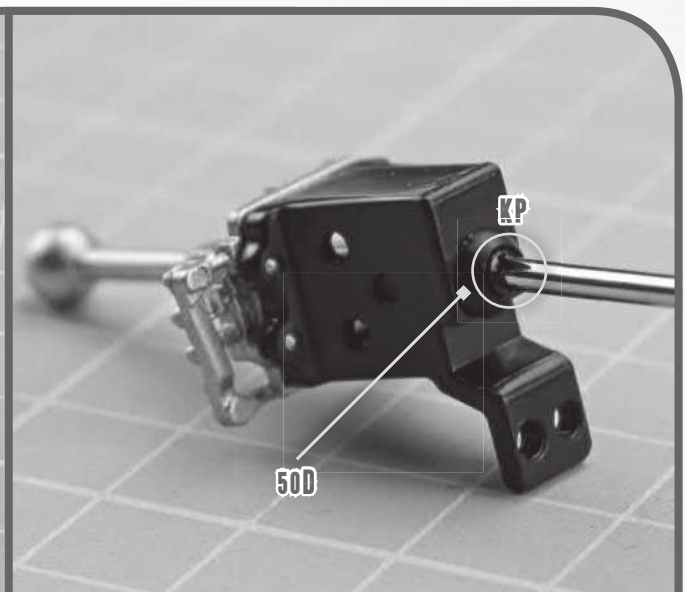
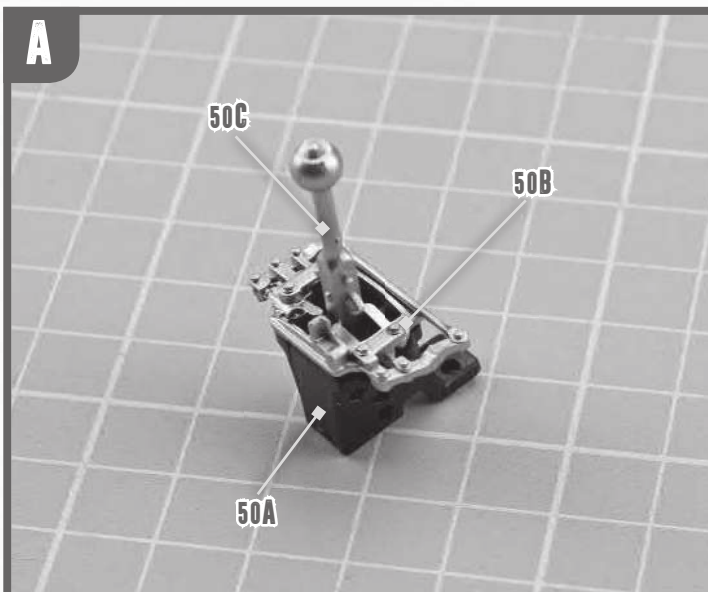
50 PARTS LIST

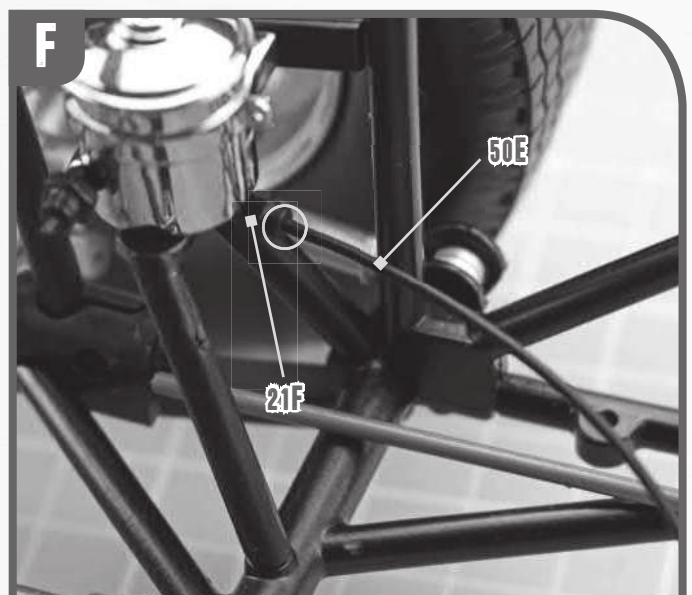
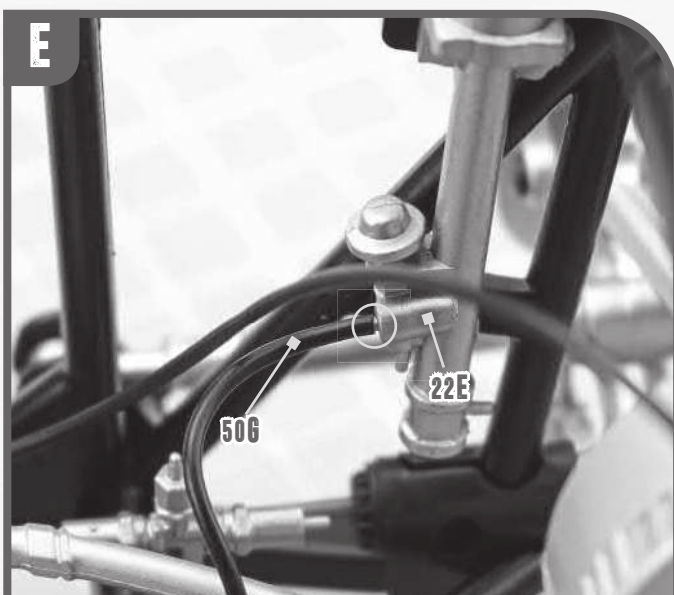
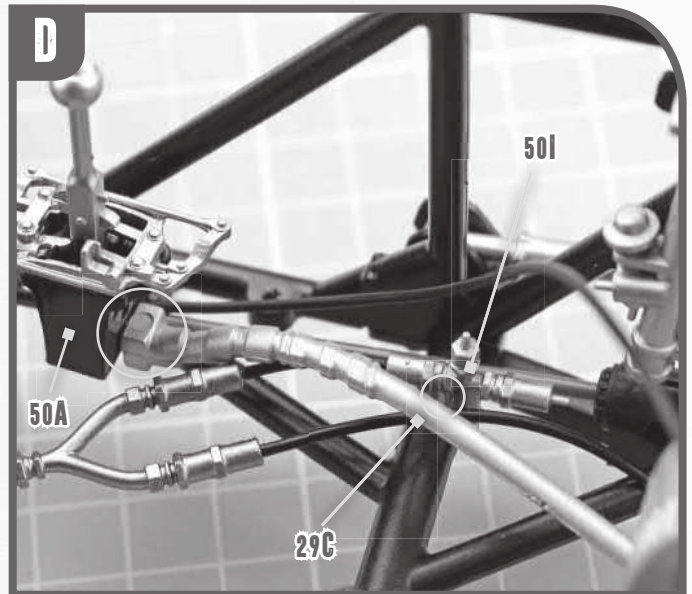
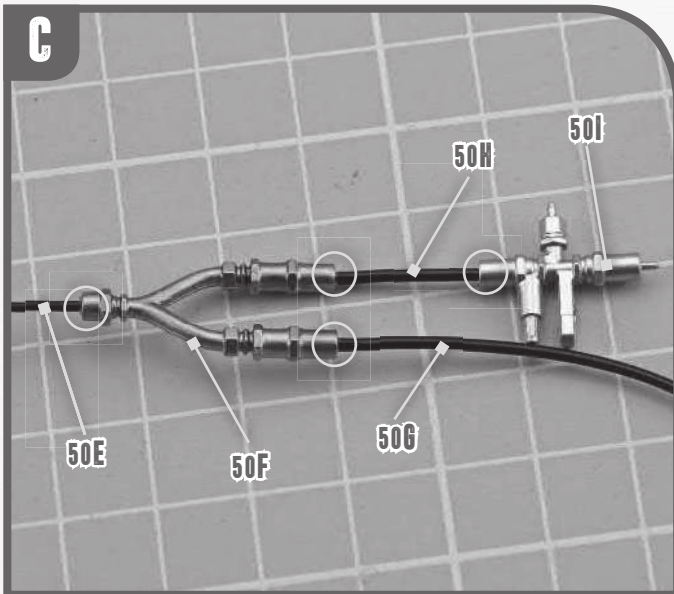
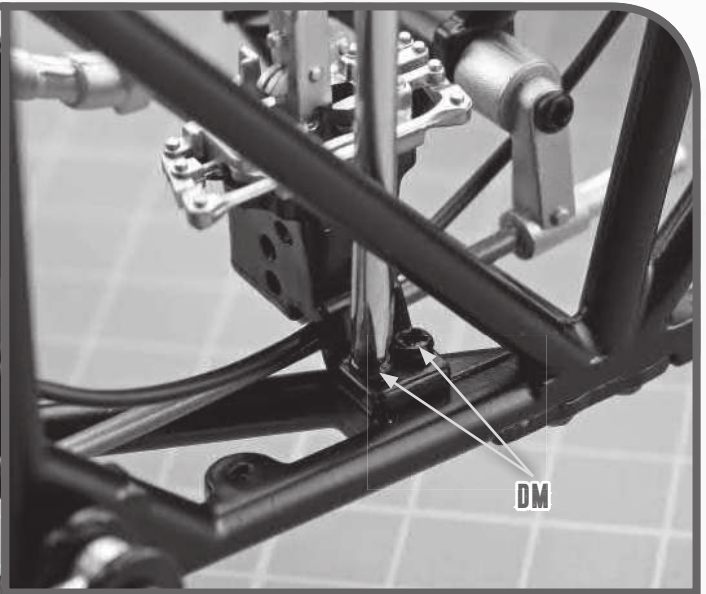
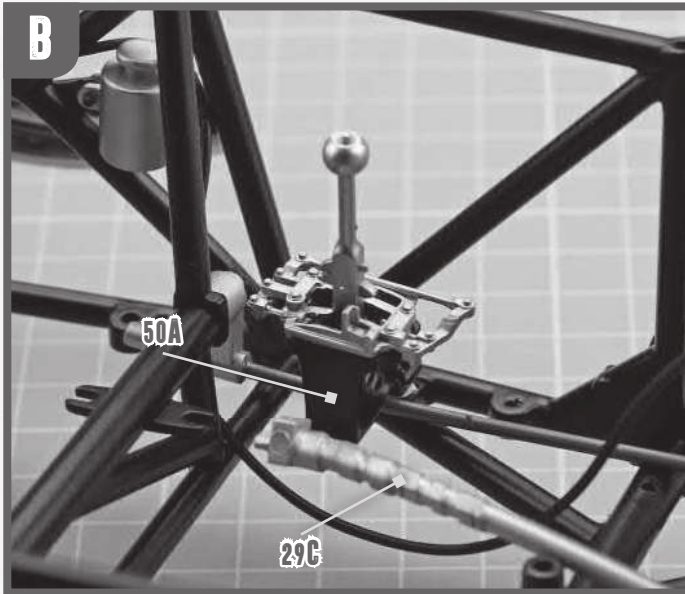


- 50A** Gear lever base
- 50B** Gear lever support
- 50C** Gear lever
- 50D** Washer ring

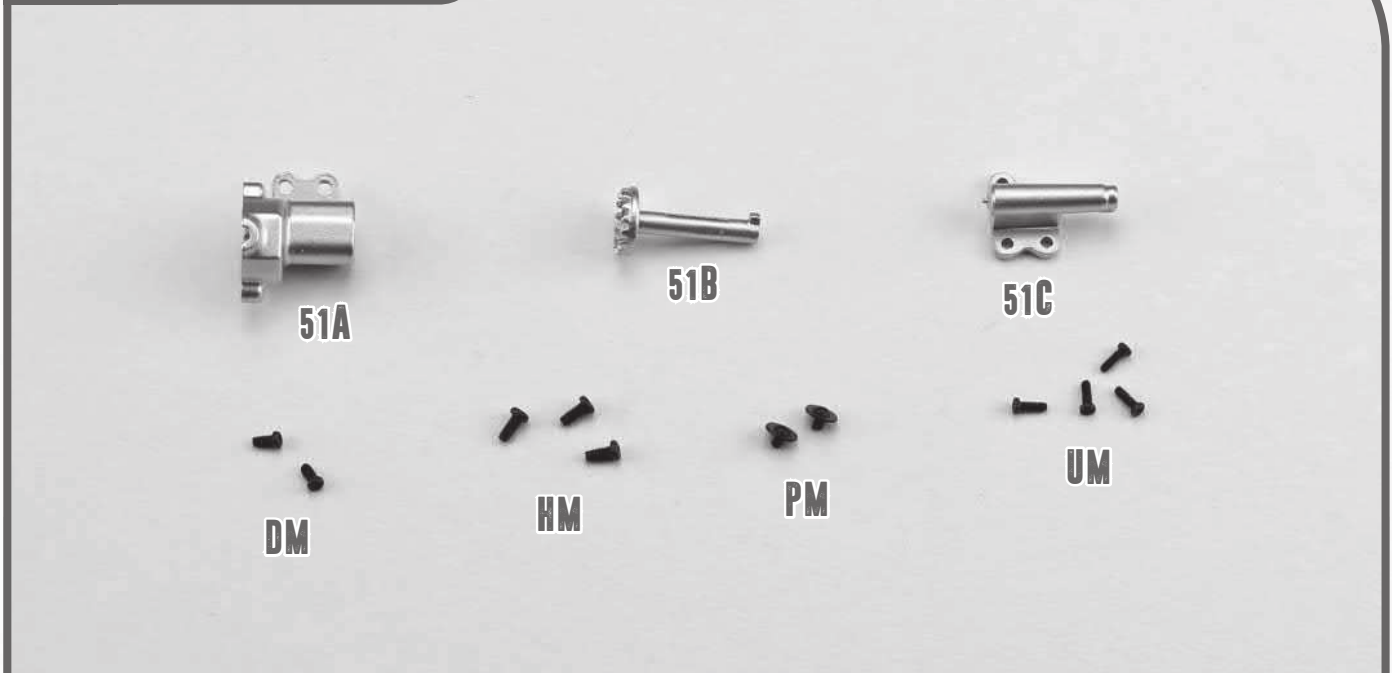
- 50E** Tube 1
- 50F** Y-shaped pipe
- 50G** Tube 2
- 50H** Tube 3

- 50I** Pipe
- KP** 2 screws (1.7x3mm)
- DM** 3 screws (2x4mm)





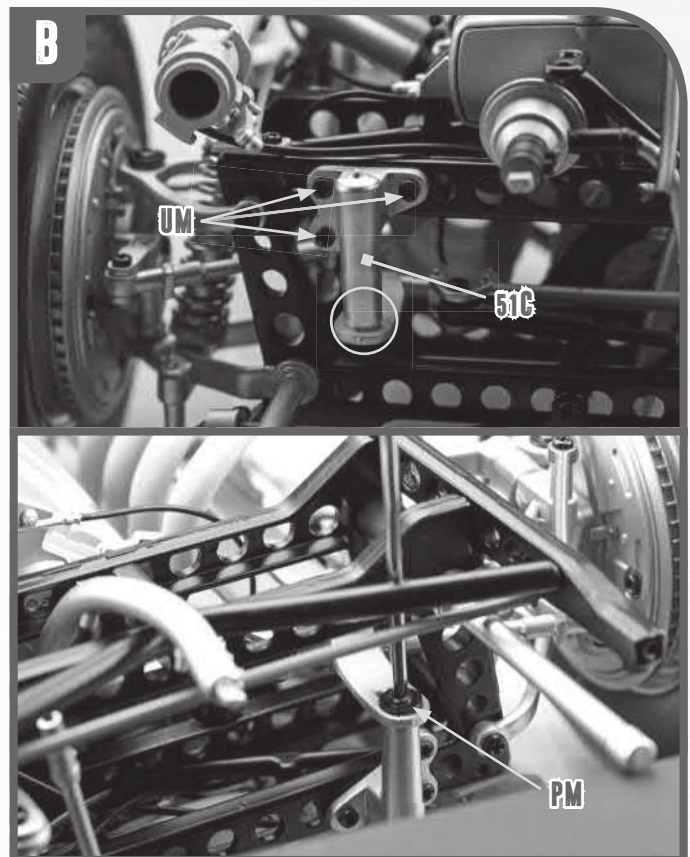
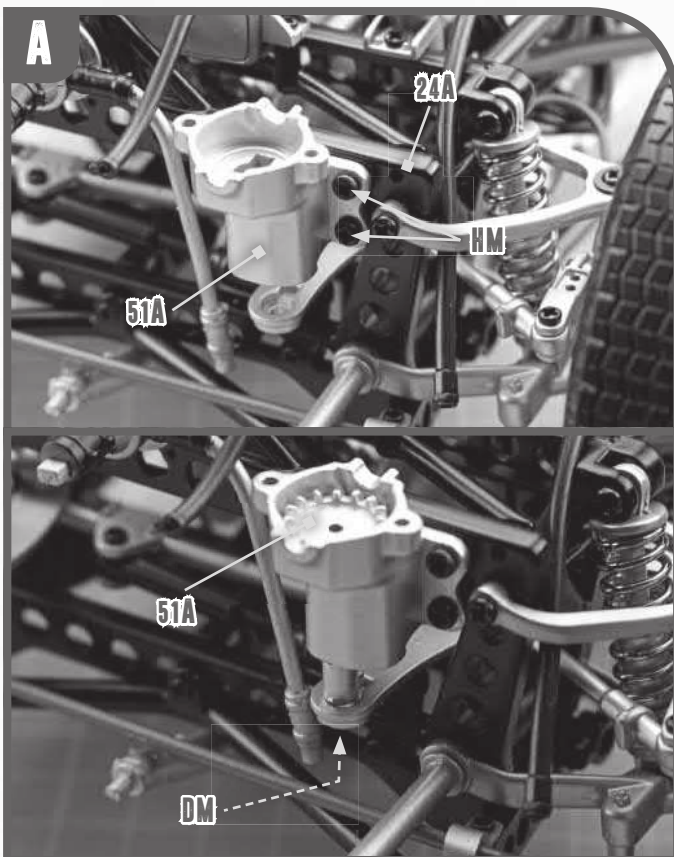
51 PARTS LIST



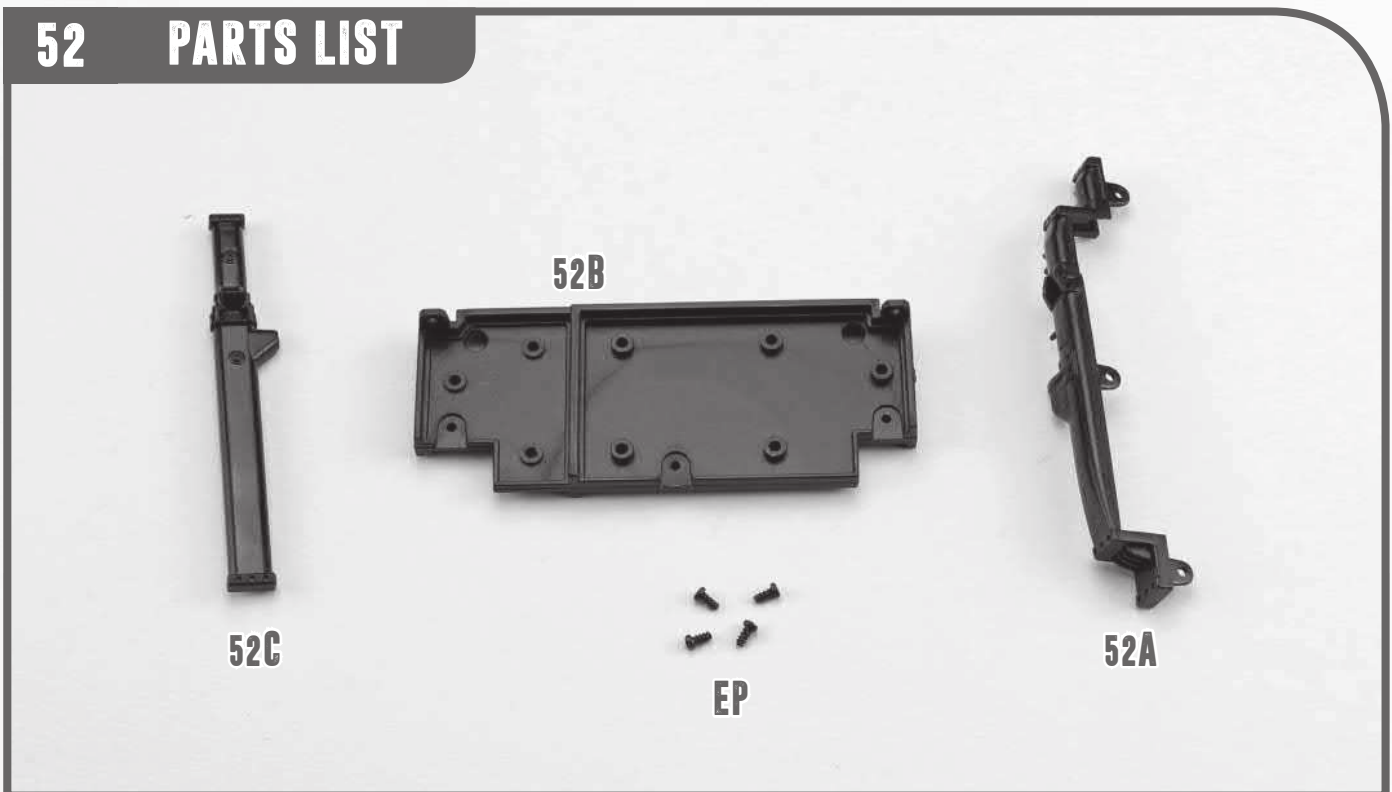
51A Steering box
51B Steering gear
51C Steering support

DM 2 screws (2x4mm)
HM 3 screws (2.3x5mm)
PM 2 screws (2x3x6mm)

UM 4 screws (1.7x5mm)



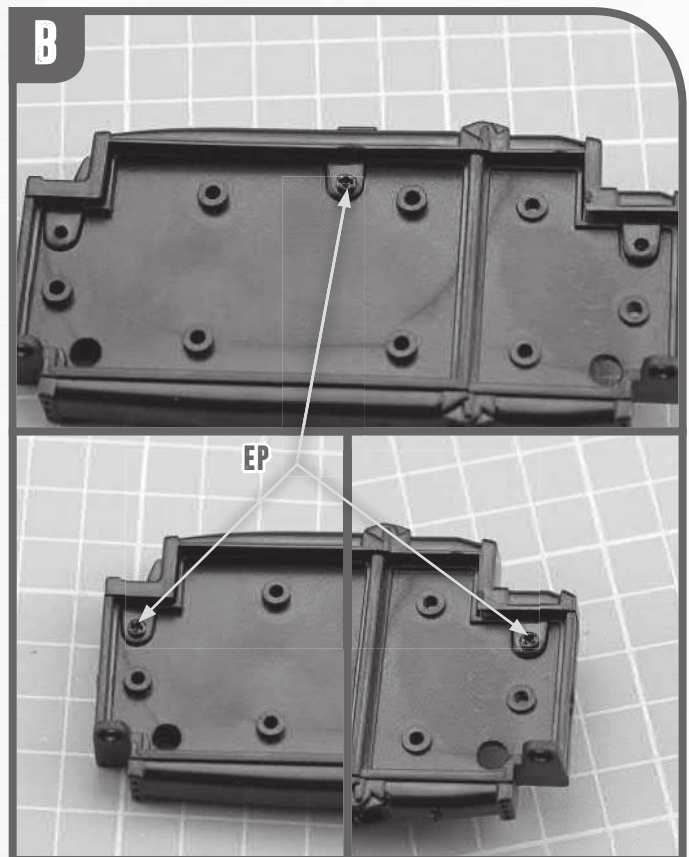
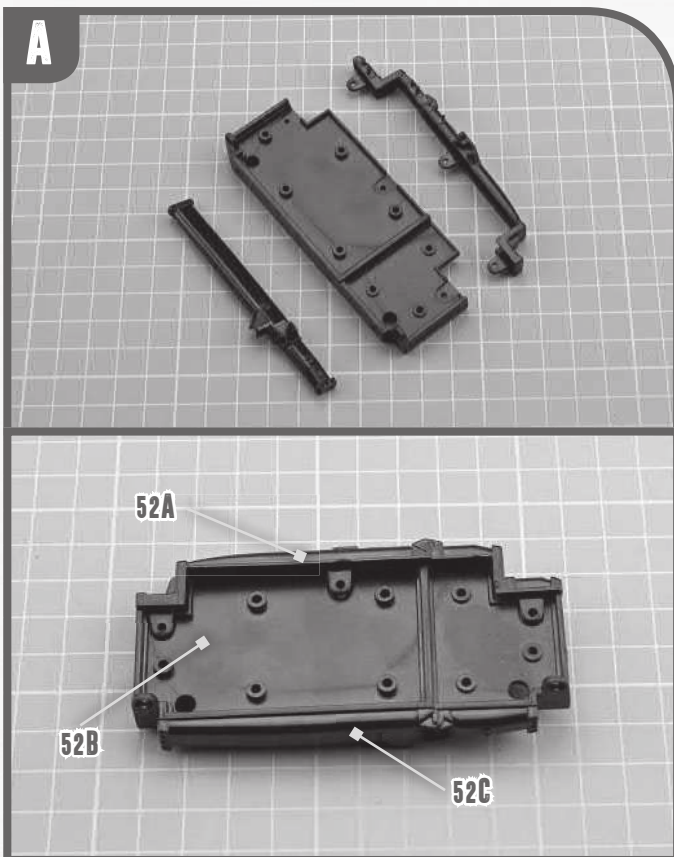
52 PARTS LIST



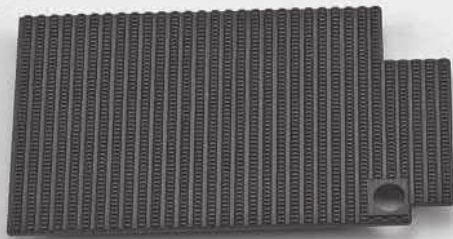
52A Radiator upper cover
52B Radiator frame

52C Radiator lower cover

EP 4 screws (2x4mm)



53 PARTS LIST



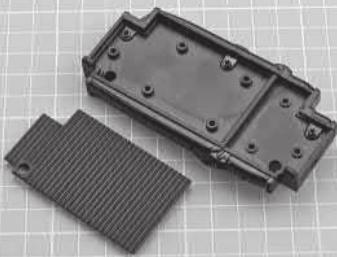
53B



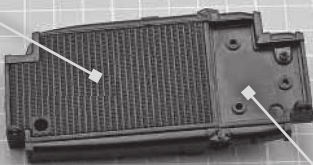
53A

- 53A** Radiator front panel
- 53B** Radiator rear panel

A



53A



52B

B

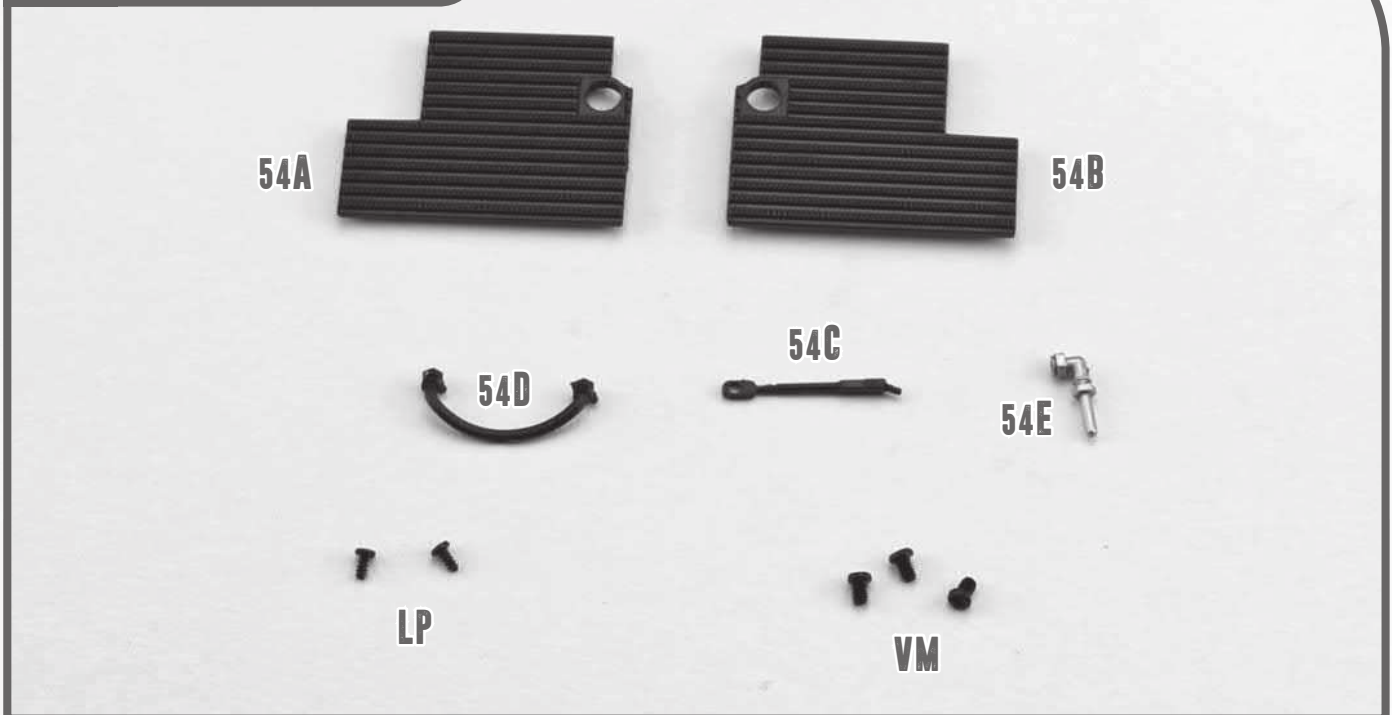


53B



52B

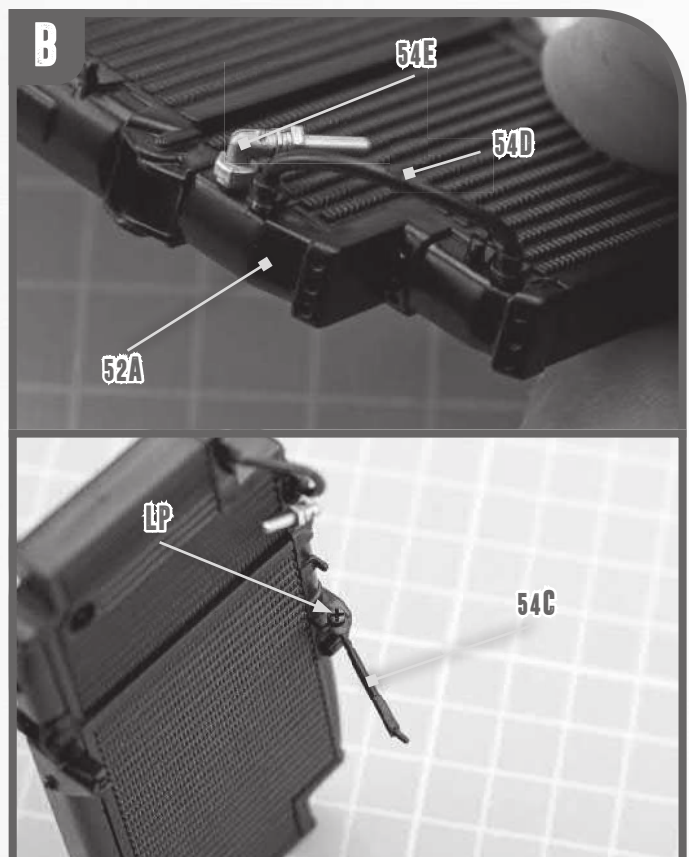
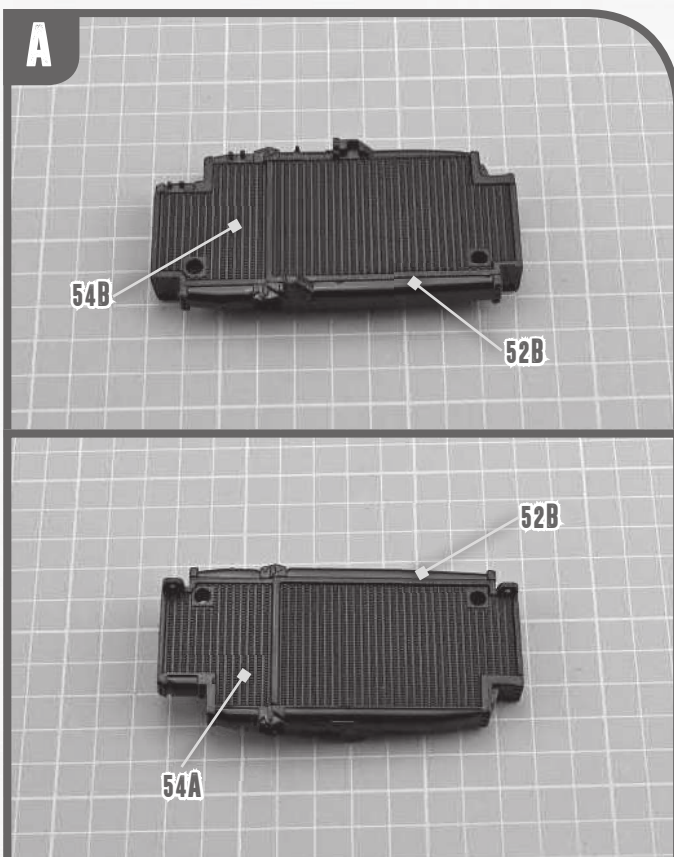
54 PARTS LIST

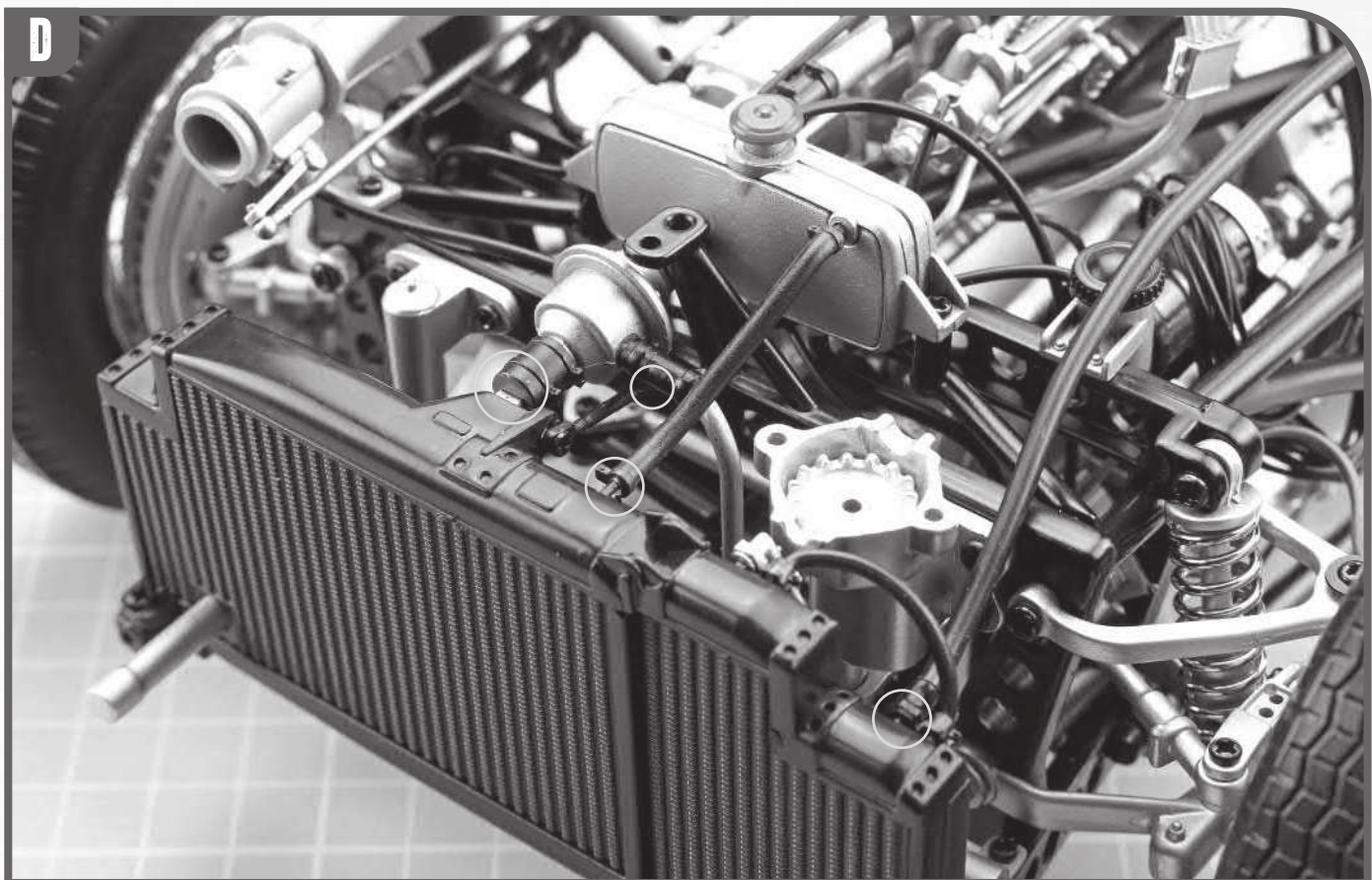
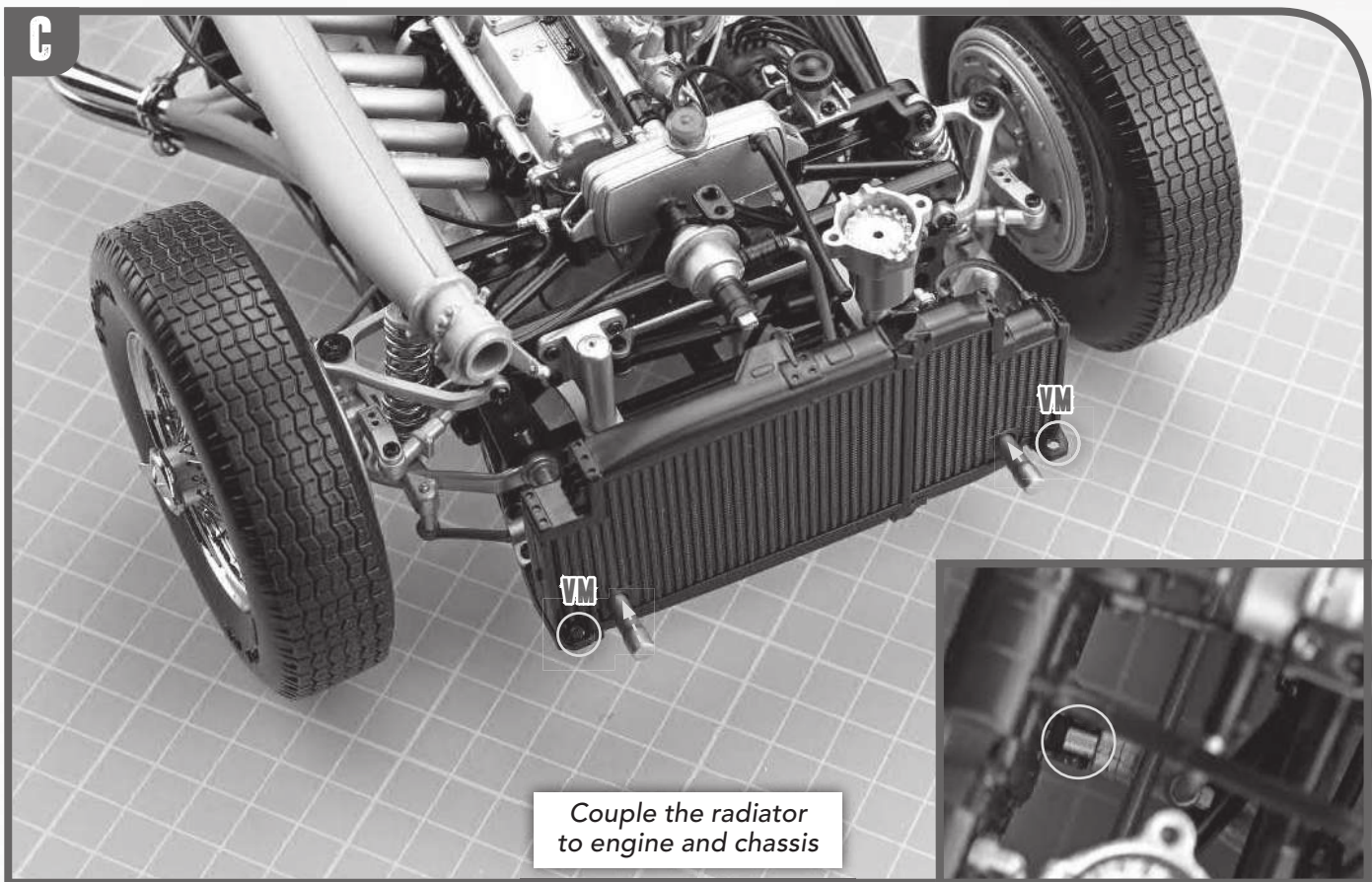


54A Oil radiator front panel
54B Oil radiator rear panel
54C Radiator shock absorber

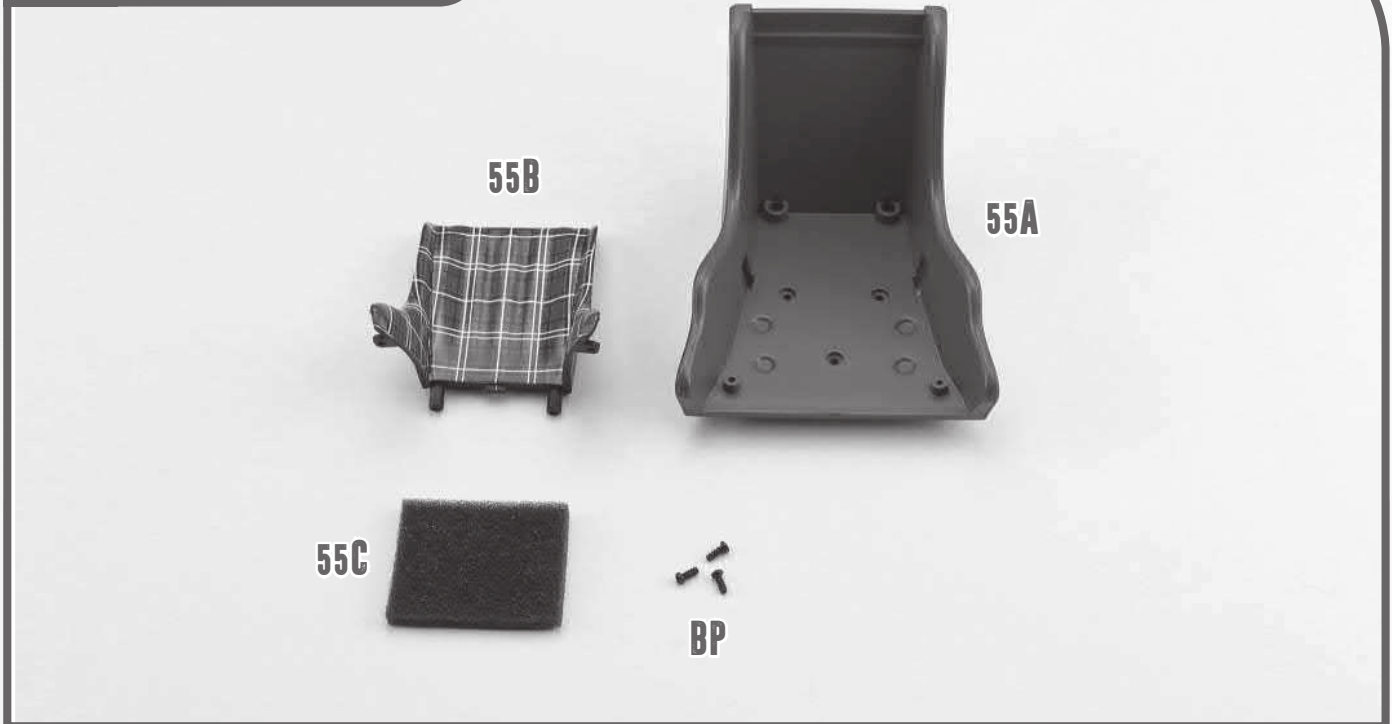
54D Pipe 1
54E Pipe 2

LP 2 screws (1.5x3mm)
VM 3 screws (2x3mm)





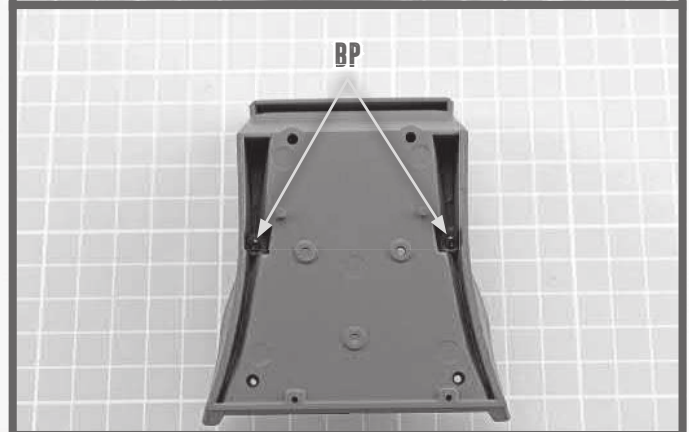
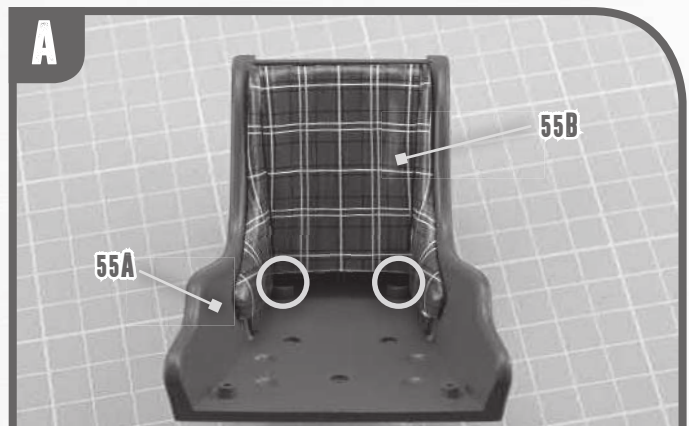
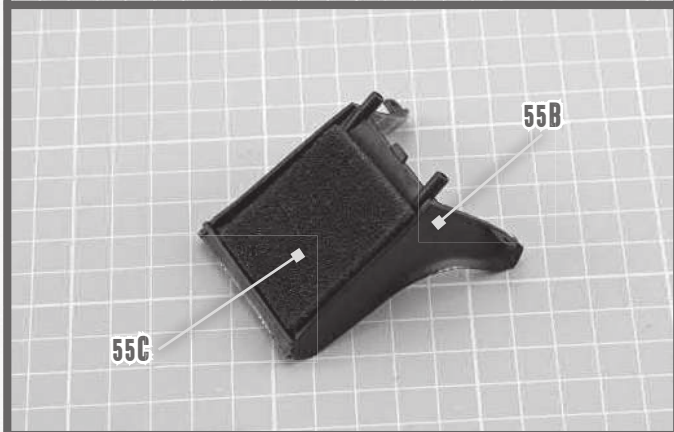
55 PARTS LIST



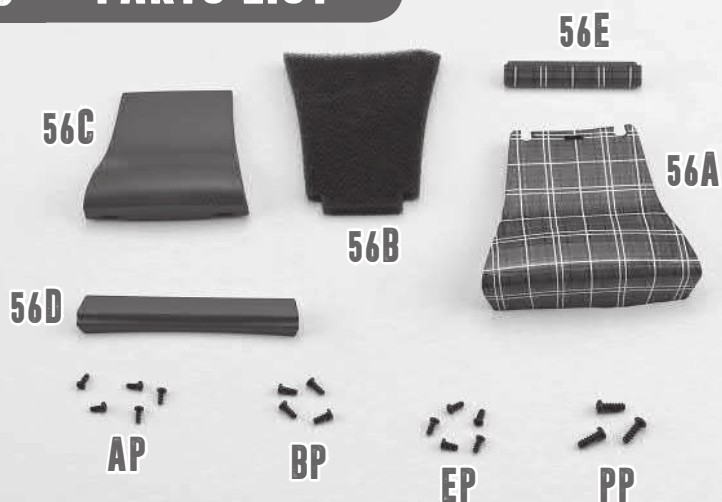
55A Seat frame
55B Seatback

55C Back padding

BP 3 screws (2x5mm)

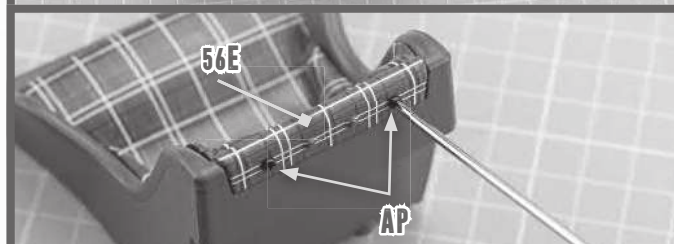
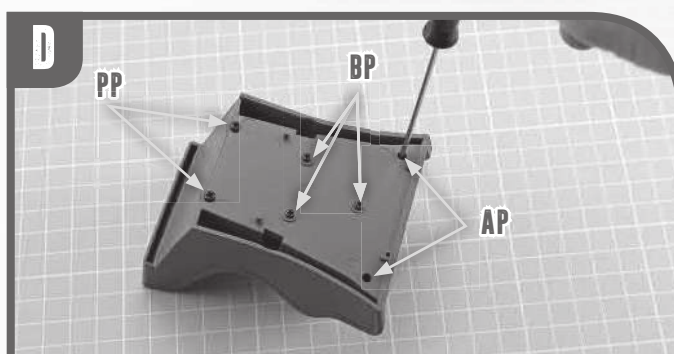
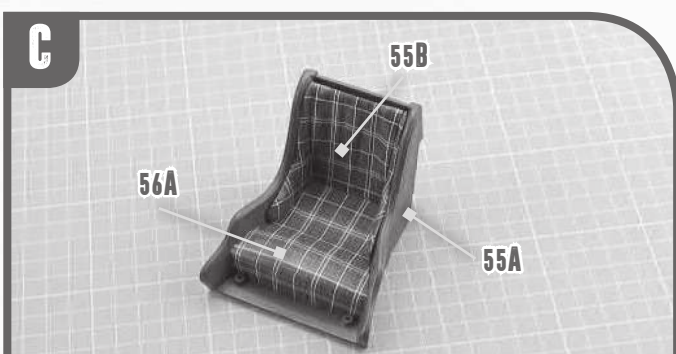
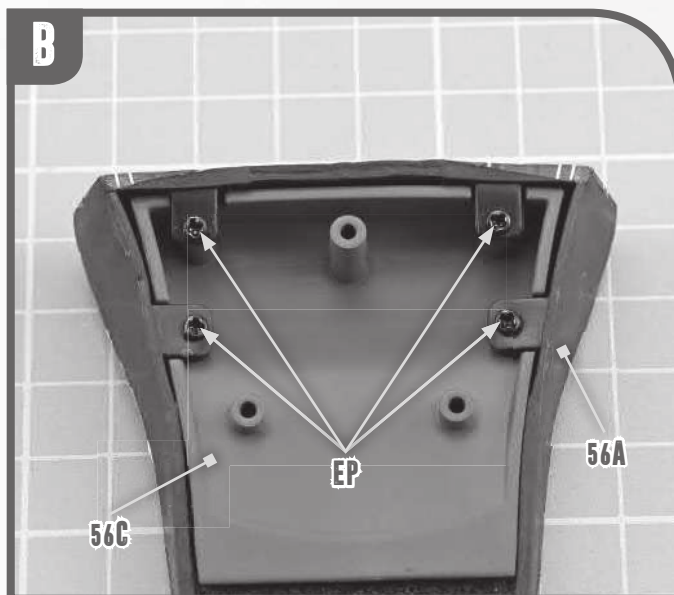
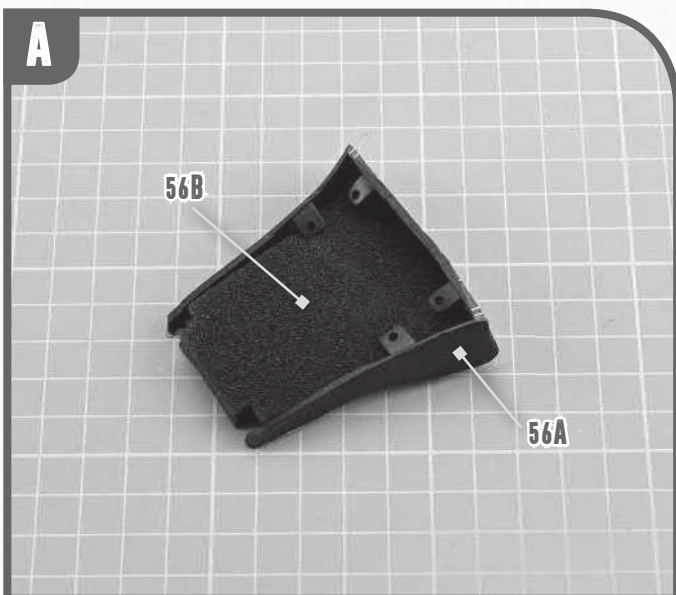


56 PARTS LIST

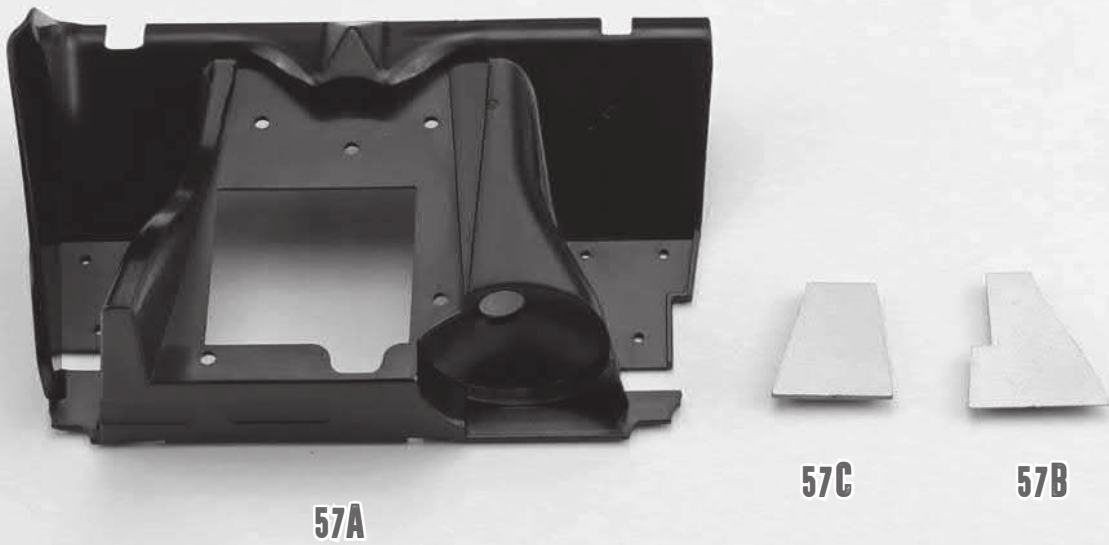


- 56A** Seat
- 56B** Seat padding
- 56C** Frame part A
- 56D** Frame part B
- 56E** Headrest

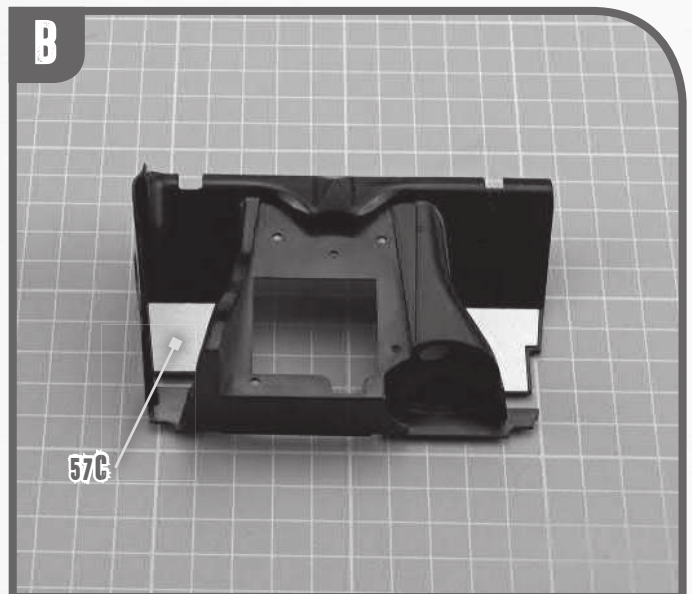
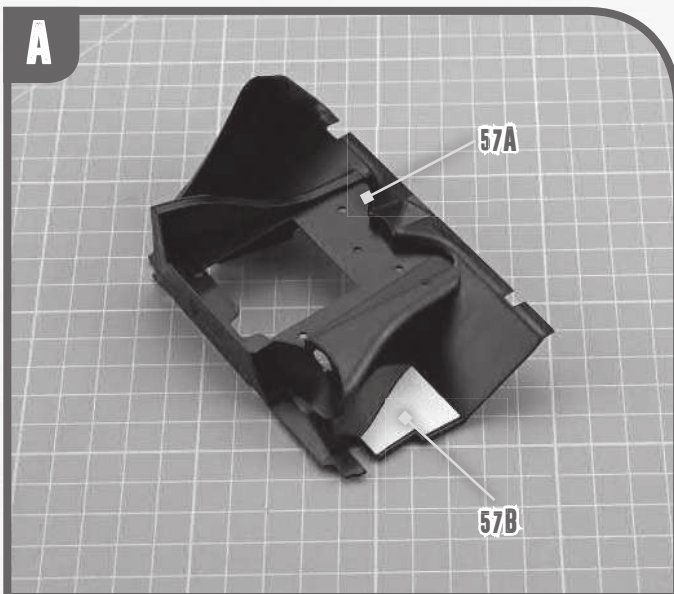
- AP** 5 screws (1.7x4mm)
- BP** 4 screws (2x5mm)
- EP** 5 screws (2x4mm)
- PP** 3 screws (2.6x7mm)



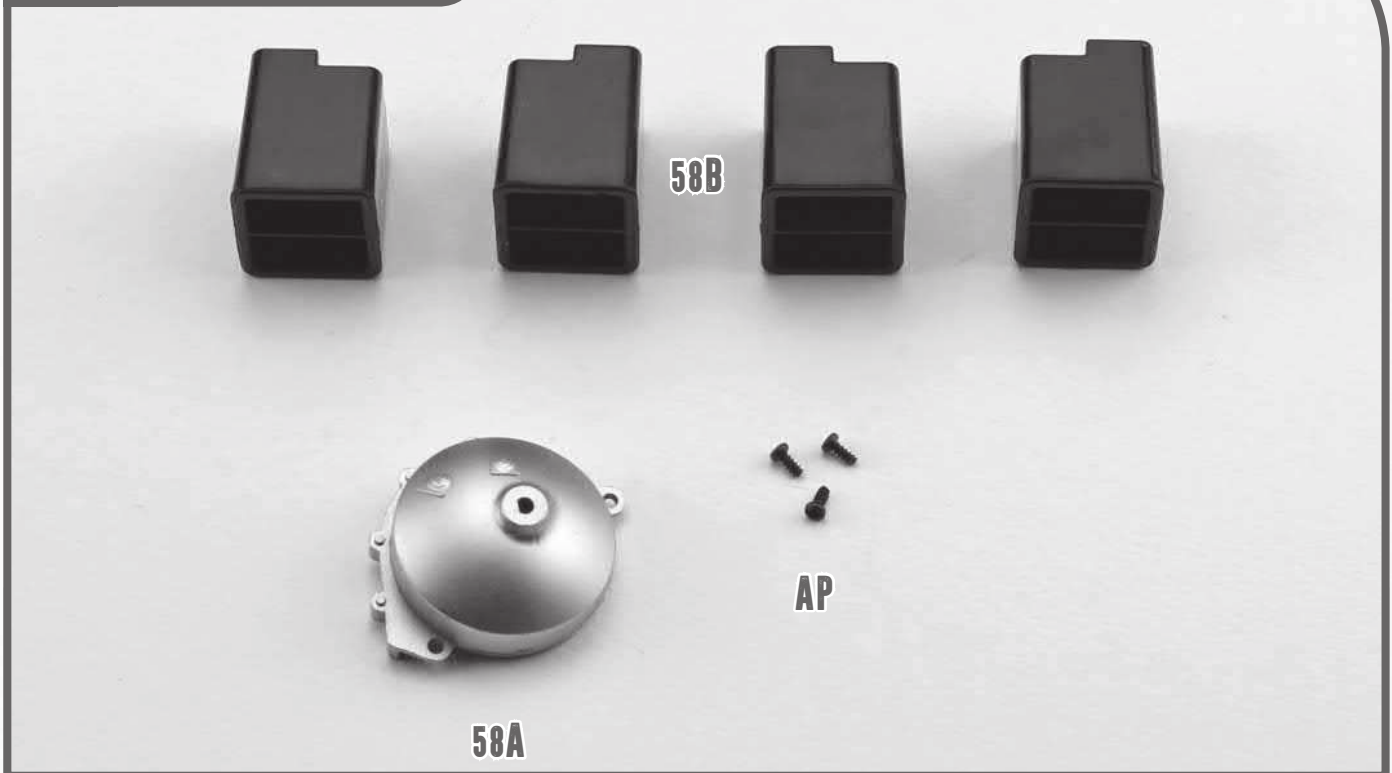
57 PARTS LIST



- 57A** Cockpit floor panel
- 57B** Panel 1
- 57C** Panel 2



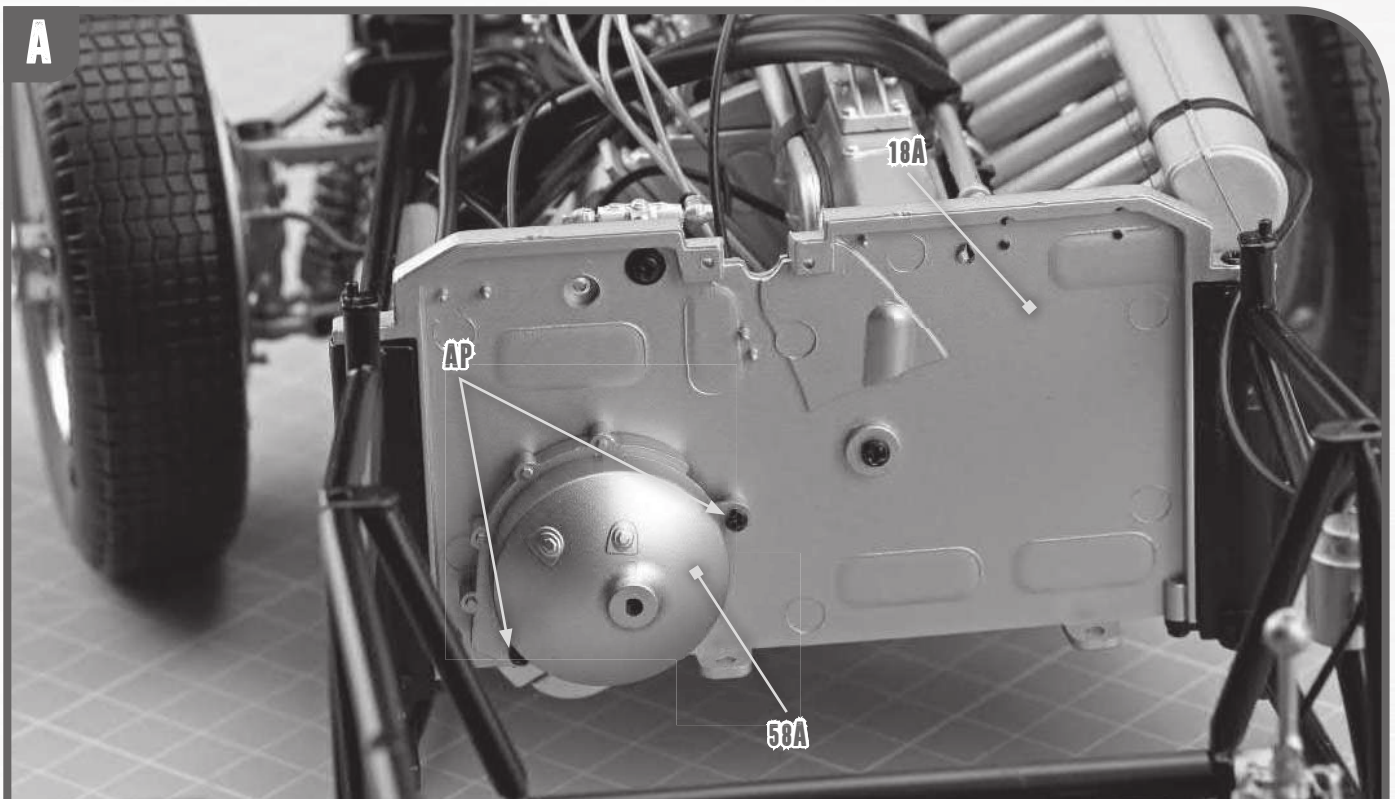
58 PARTS LIST



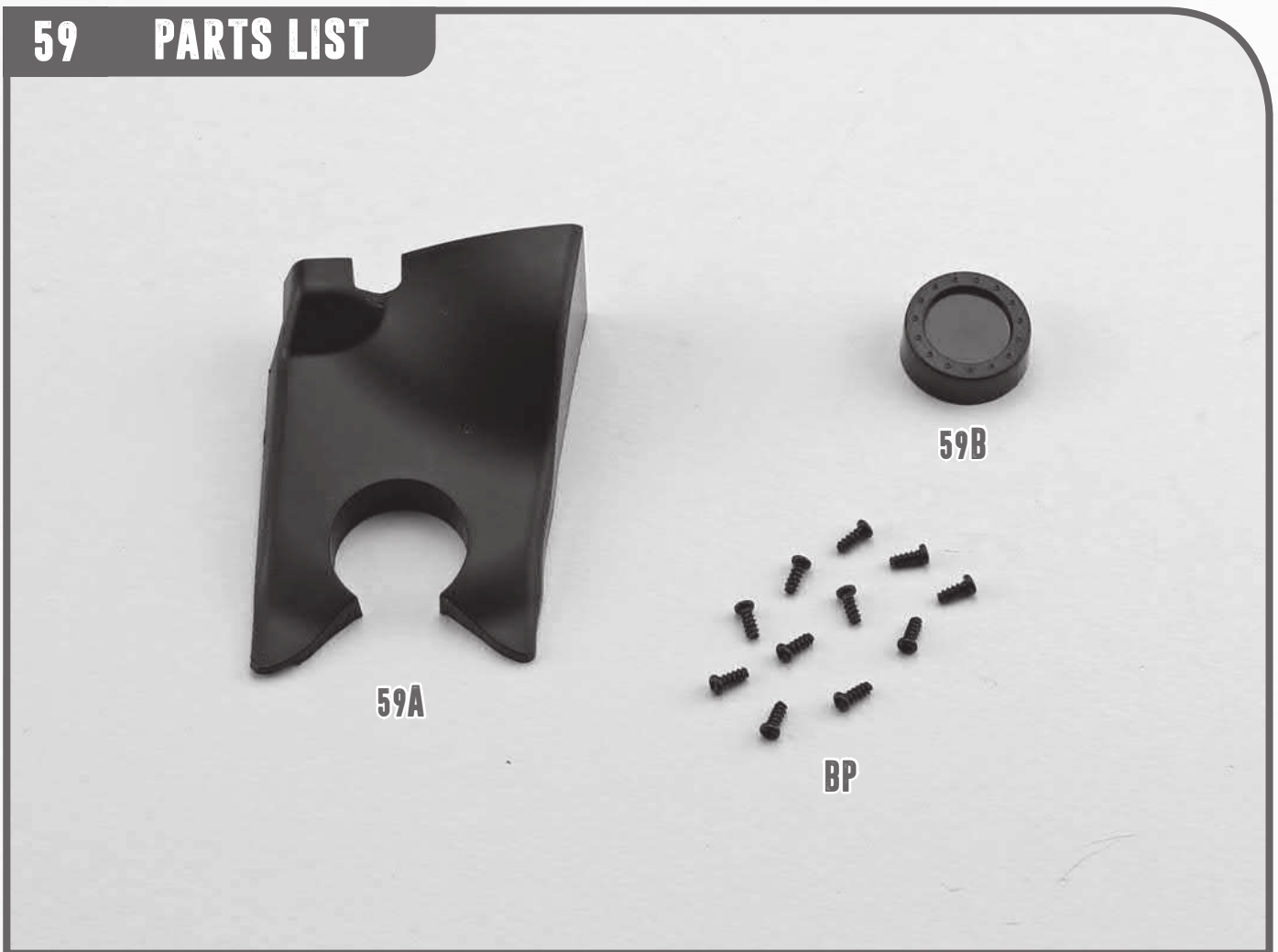
58A Clutch bell housing
58B Model supports (x4)*

AP 3 screws (1.7x4mm)

* You may choose to put supports 58B beneath your model to keep wheels raised.

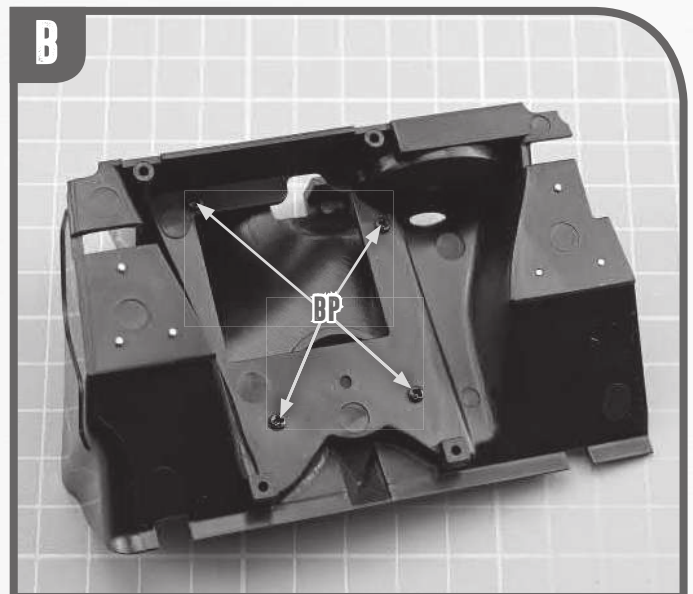
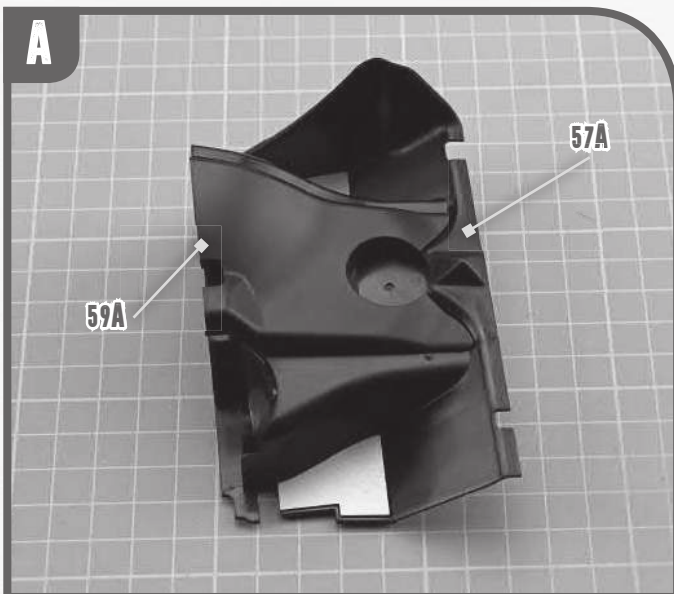


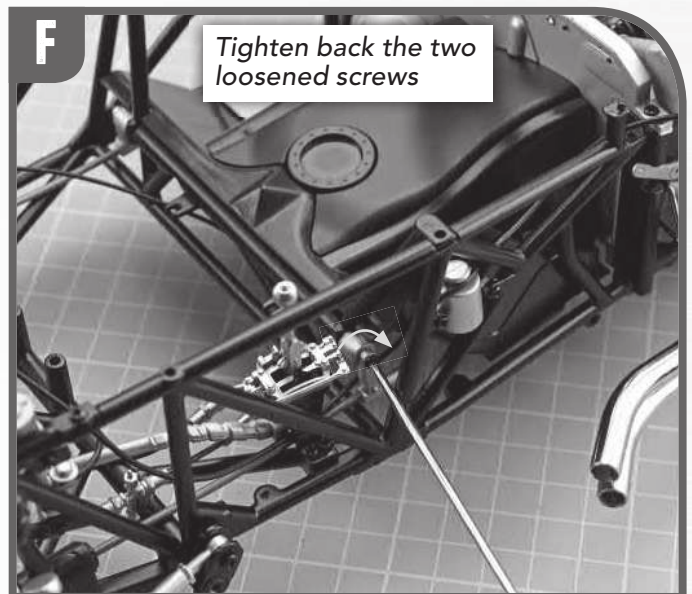
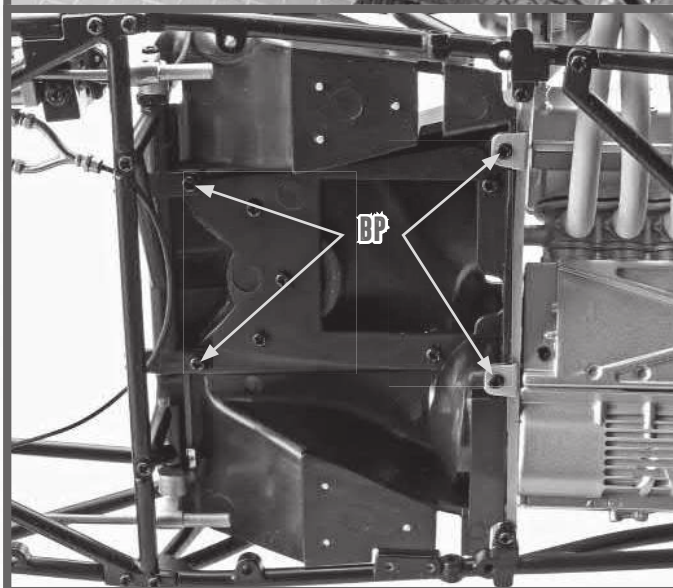
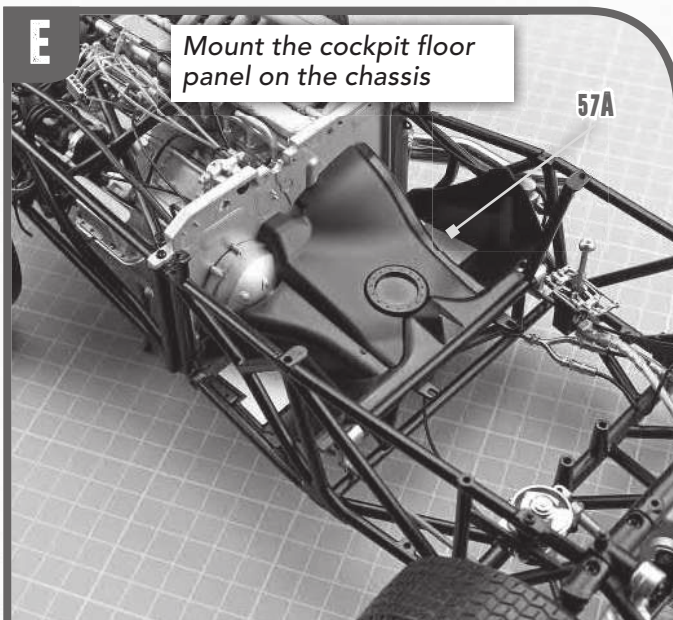
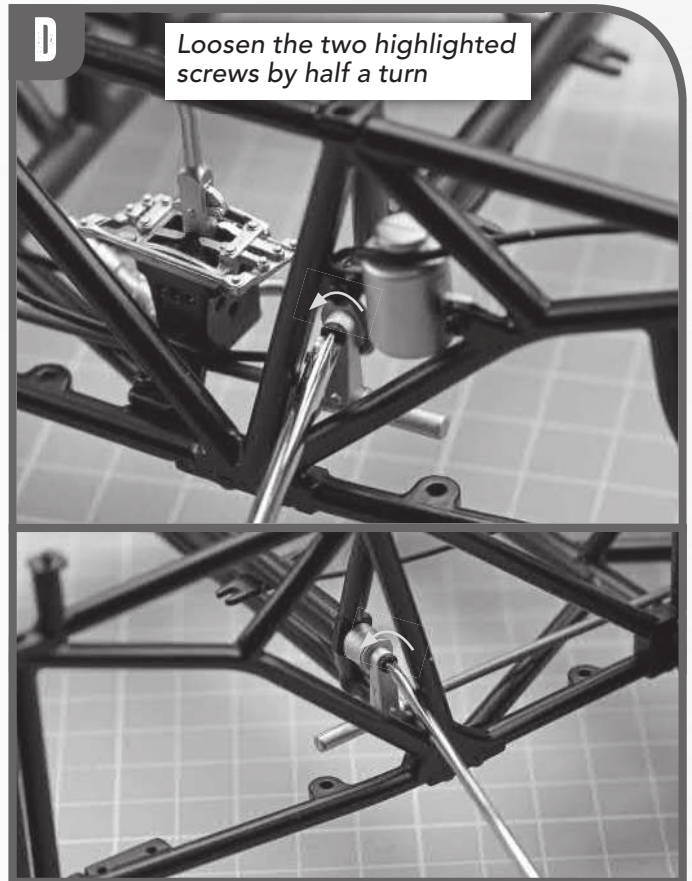
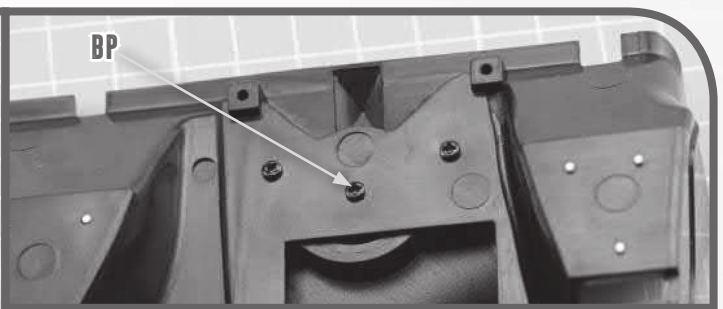
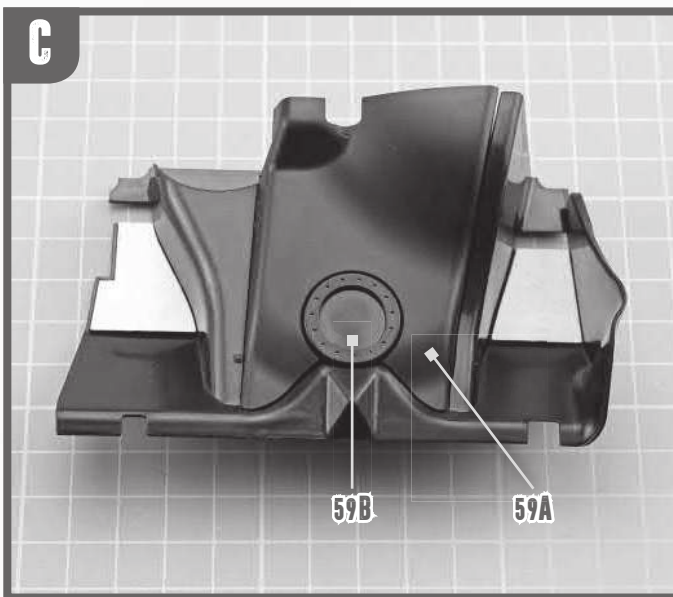
59 PARTS LIST



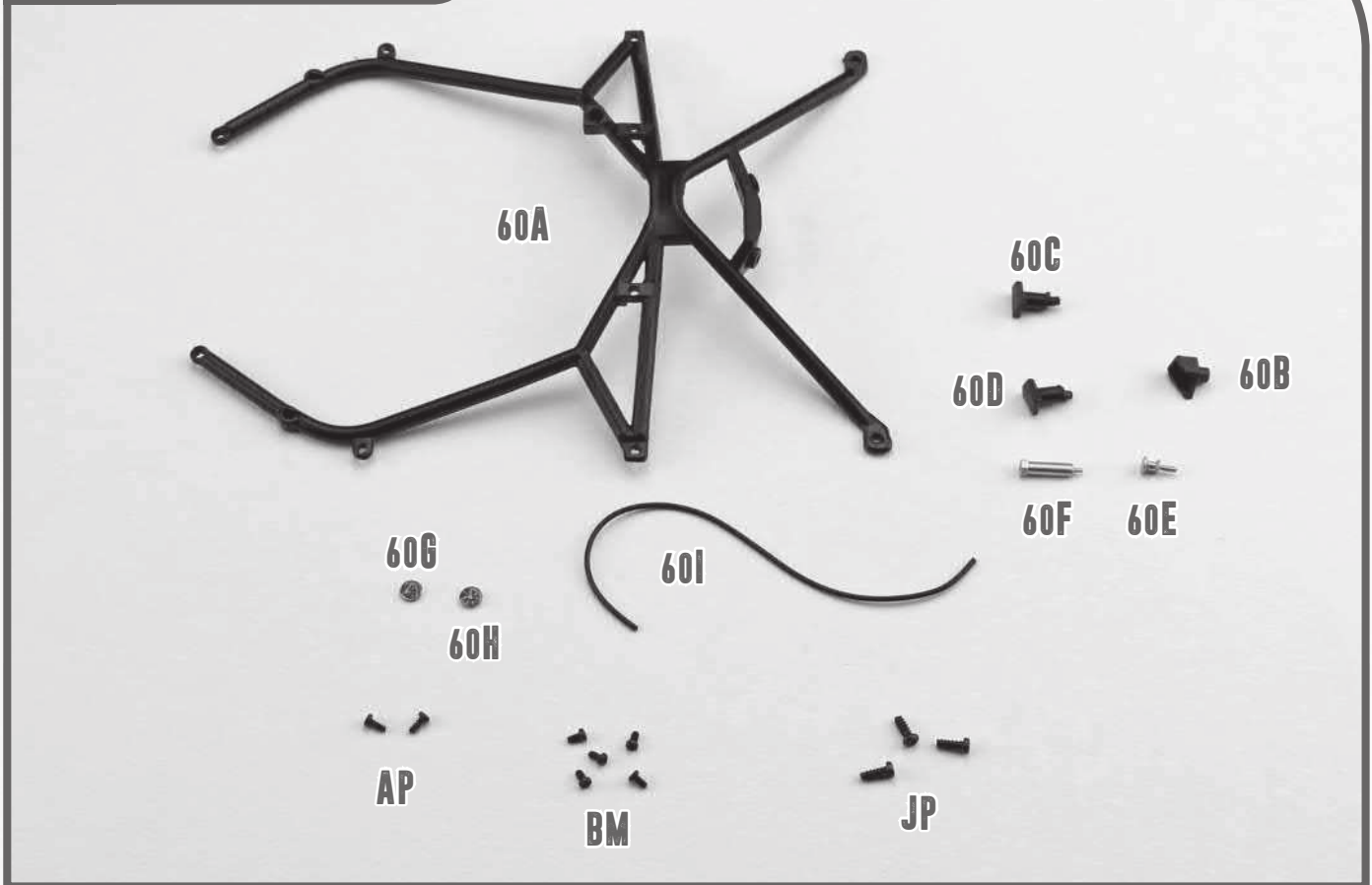
59A Panel 1
59B Panel 2

BP 11 screws (2x5mm)





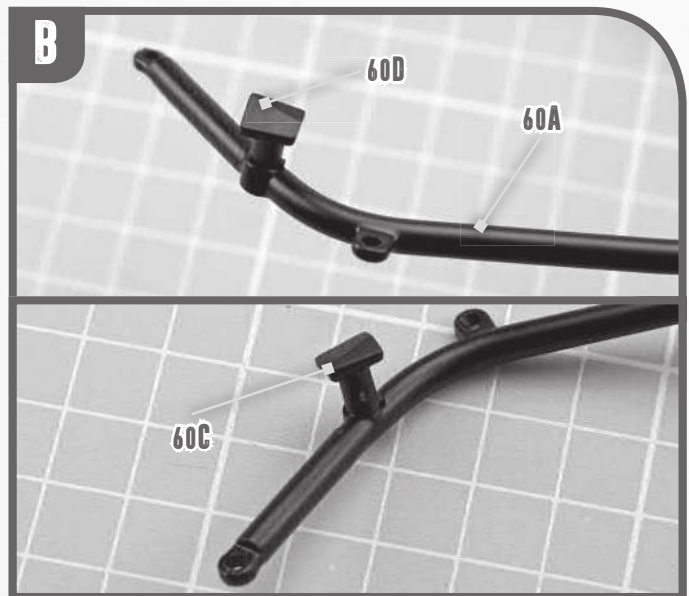
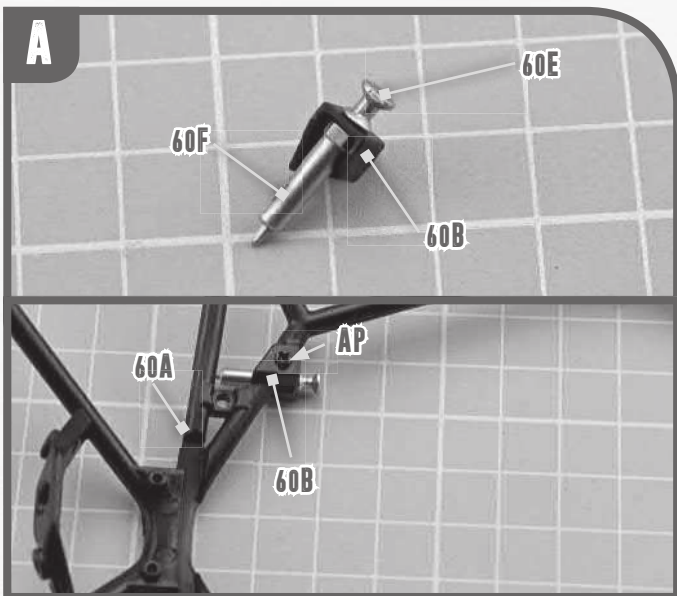
60 PARTS LIST



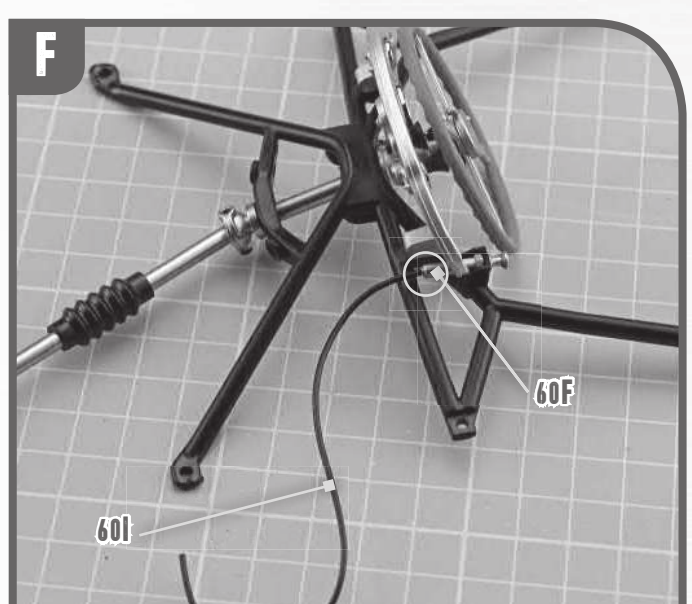
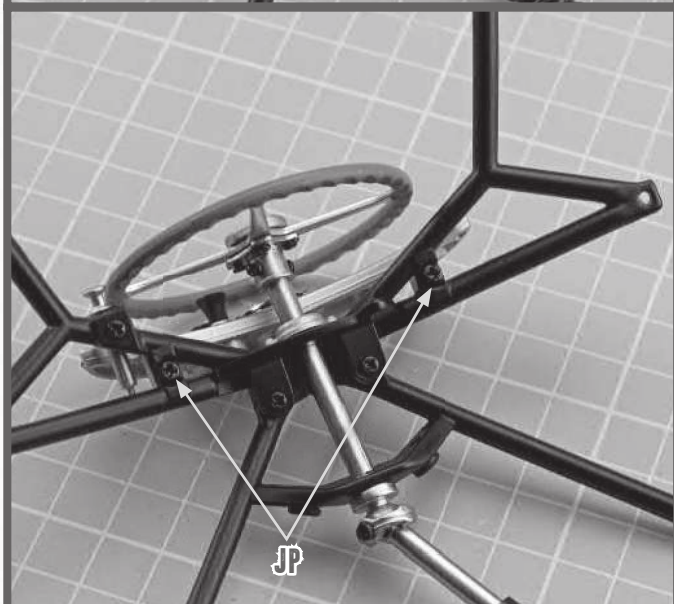
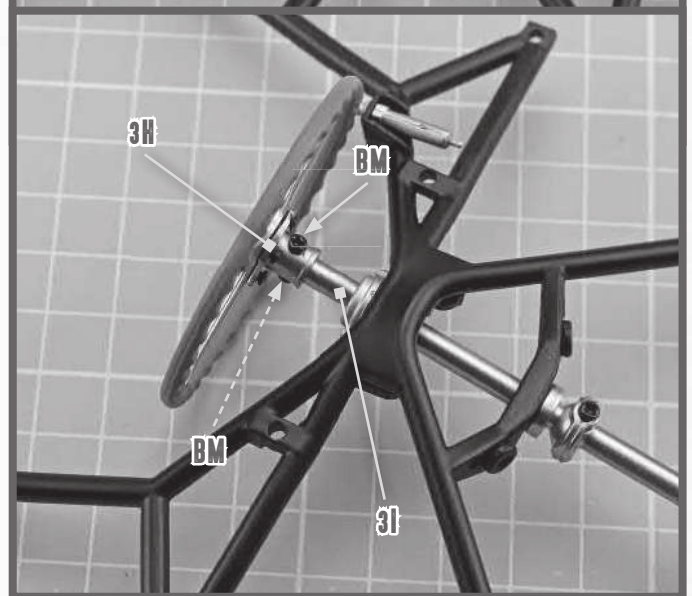
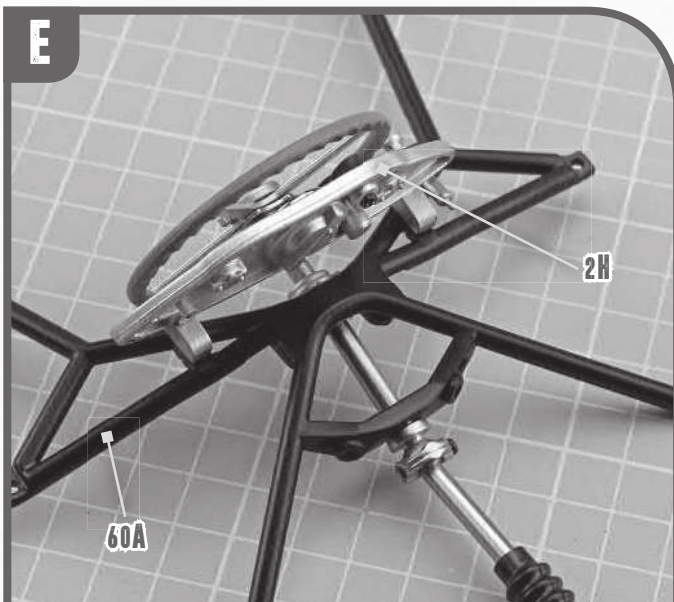
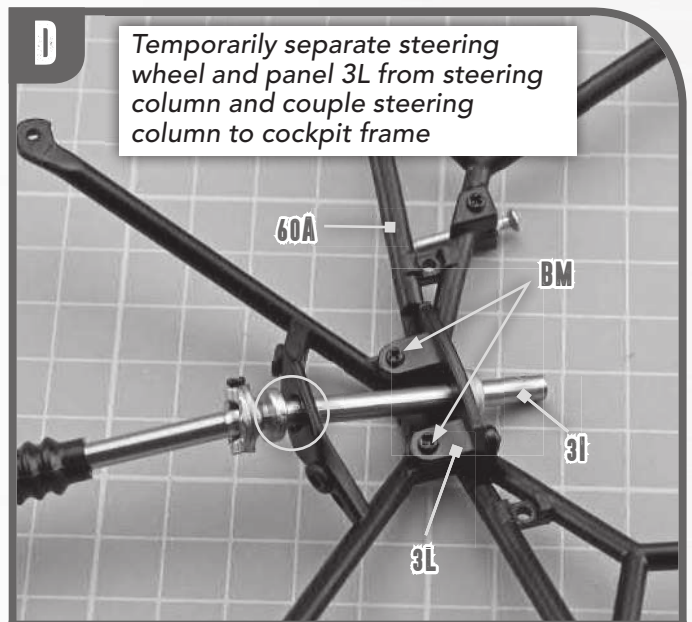
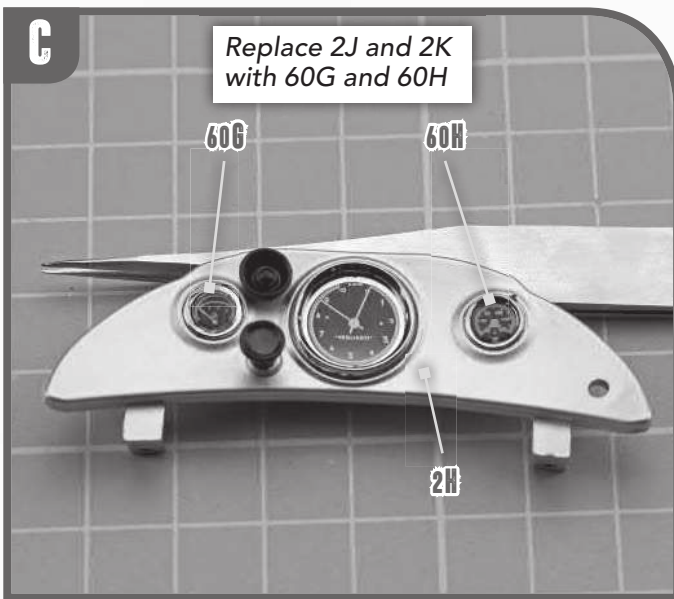
60A Cockpit frame
60B Detail 1
60C Detail 2
60D Detail 3
60E Detail 4

60F Detail 5
60G Oil pressure gauge
60H Water temperature gauge
60I Tube

AP 2 screws (1.7x4mm)
JP 3 screws (2.3x6mm)
BM 5 screws (1.7x3mm)



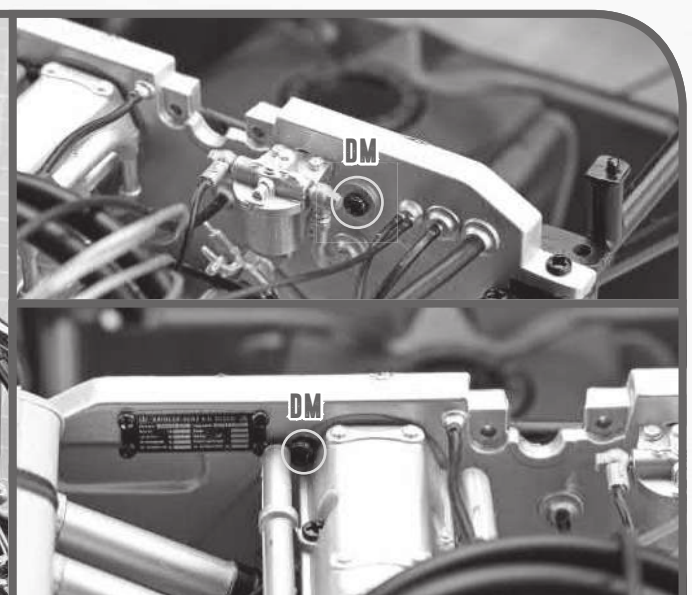
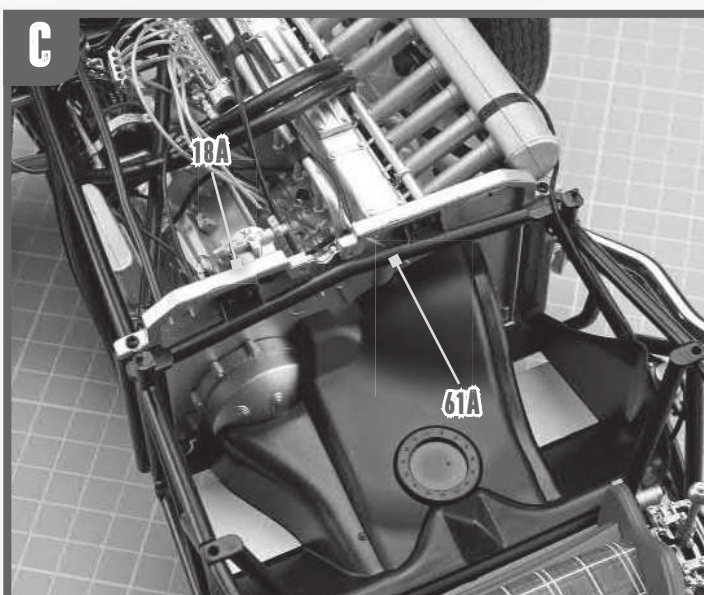
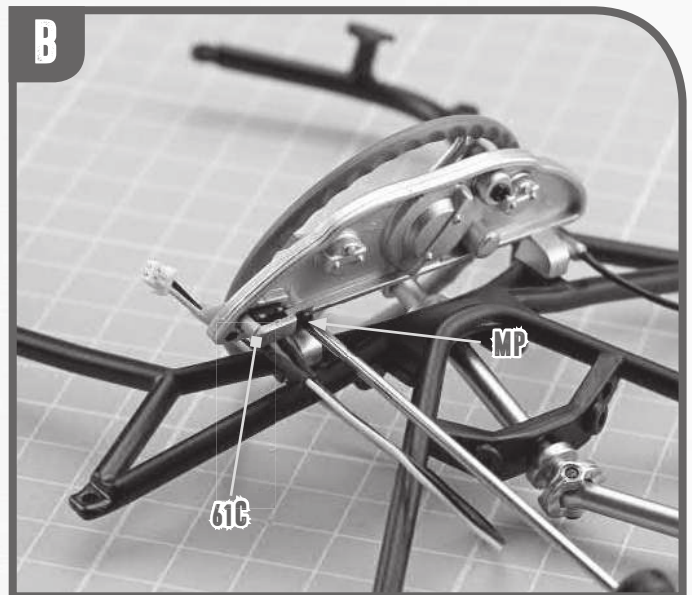
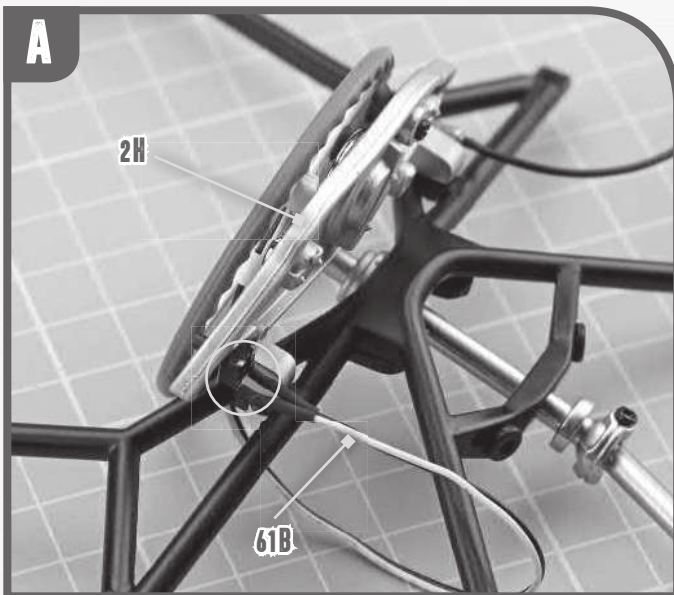
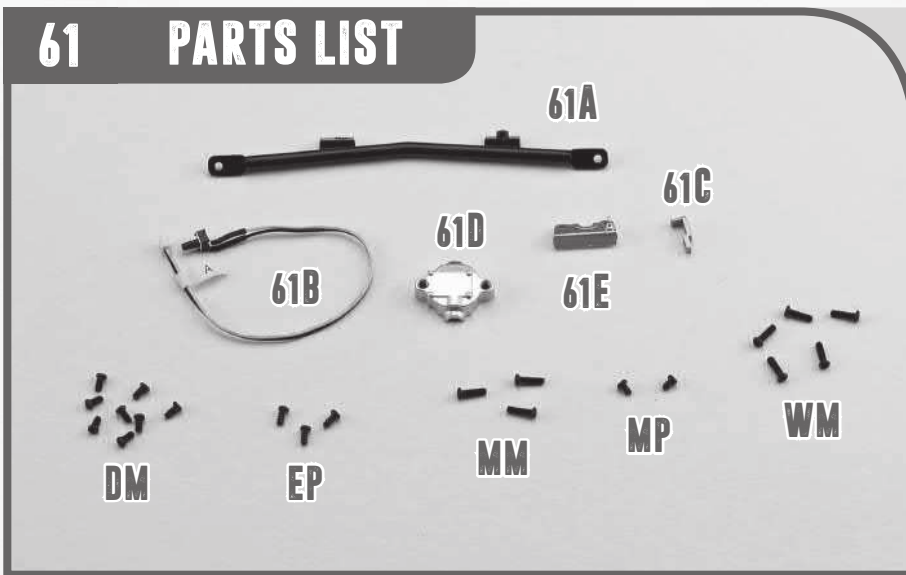
stepbystep #60



61 PARTS LIST

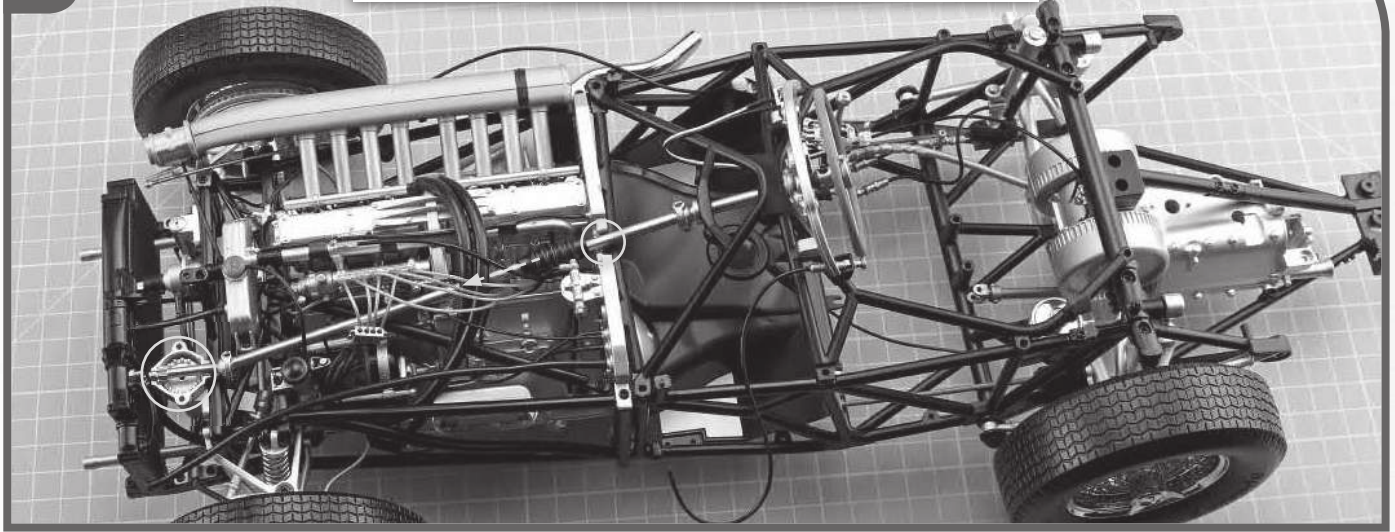
- 61A** Firewall bar
- 61B** Wire
- 61C** Wire bracket
- 61D** Steering box cover
- 61E** Steering column bracket

- EP** 3 screws (2x4mm)
- MP** 2 screws (2x3mm)
- DM** 8 screws (2x4mm)
- MM** 3 screws (2x7mm)
- WM** 5 screws (2x6mm)

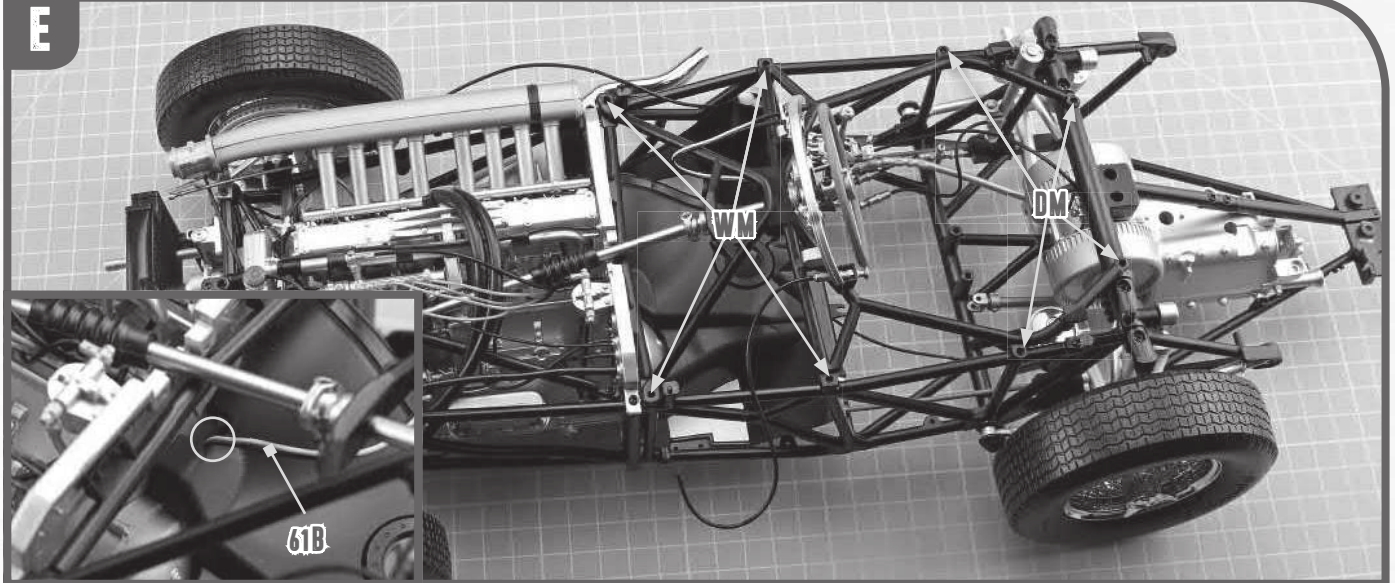


D

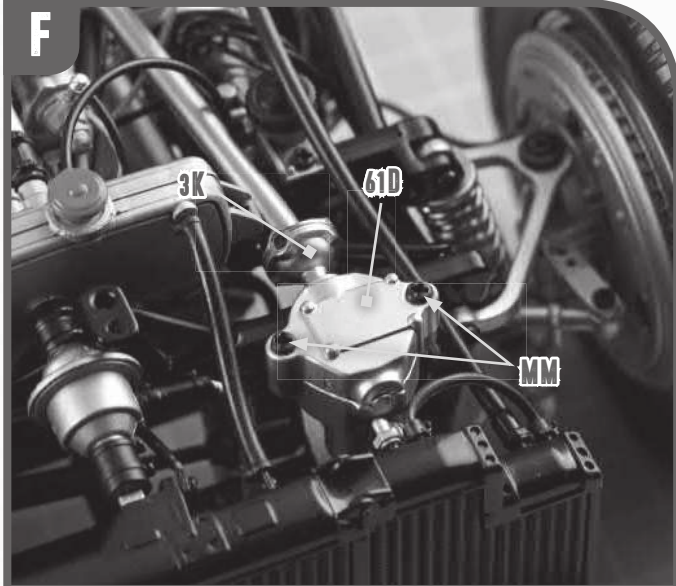
Mount cockpit frame and steering column on chassis



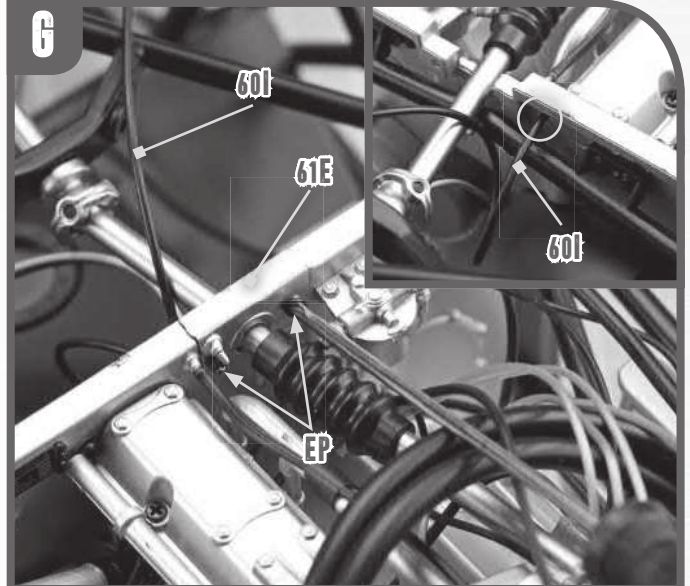
E



F

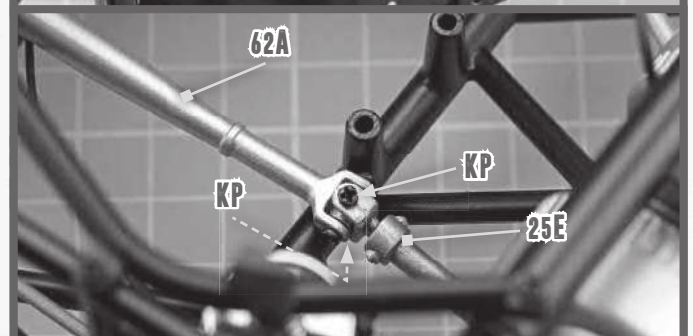
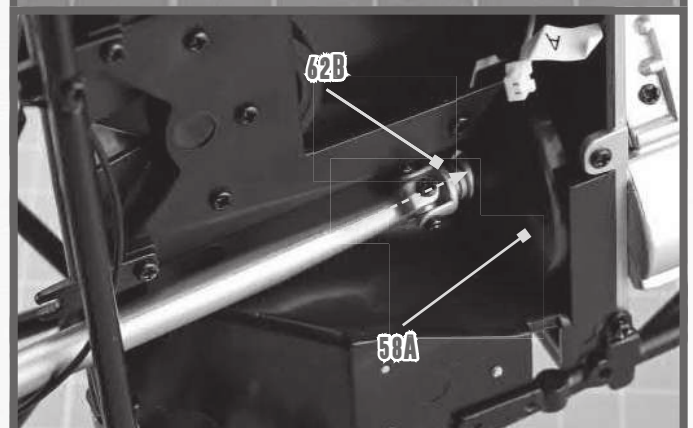
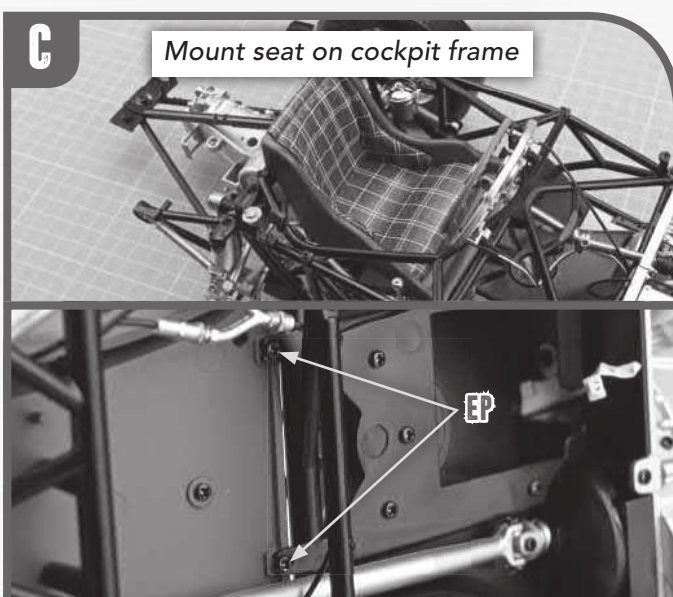
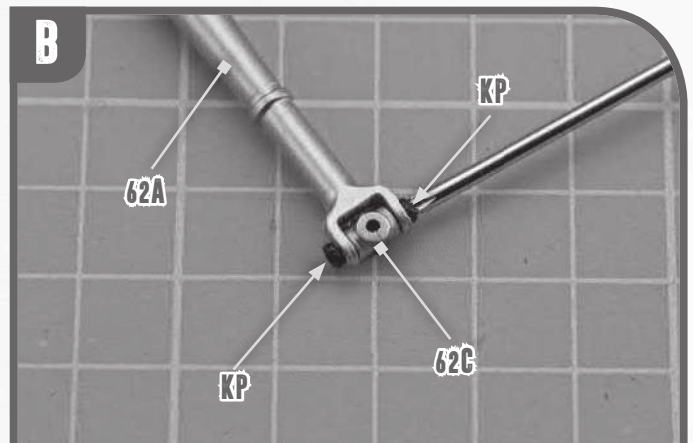
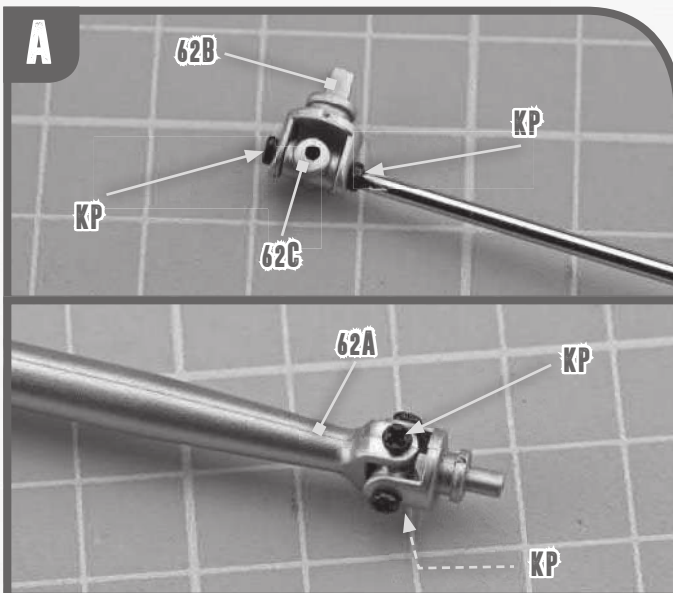
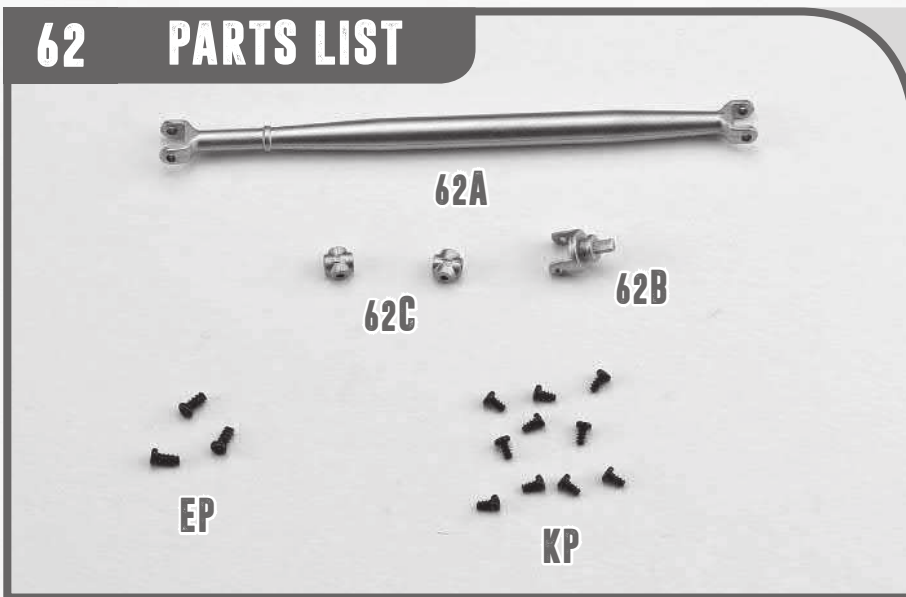


G



62 PARTS LIST

- 62A** Shaft
- 62B** Joint 1
- 62C** Joints 2 (x2)
- EP** 3 screws (2x4mm)
- KP** 10 screws (1.7x3mm)



63 PARTS LIST



63D

63C



63B



63F

63E



63A



63G



AP

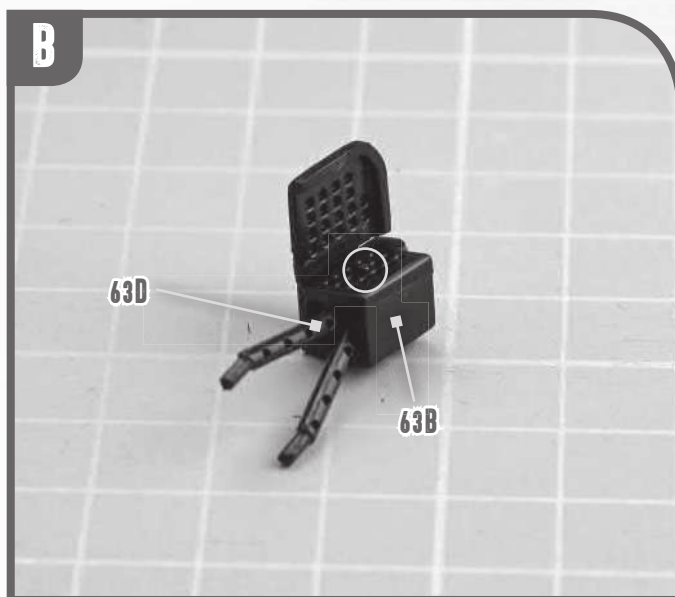
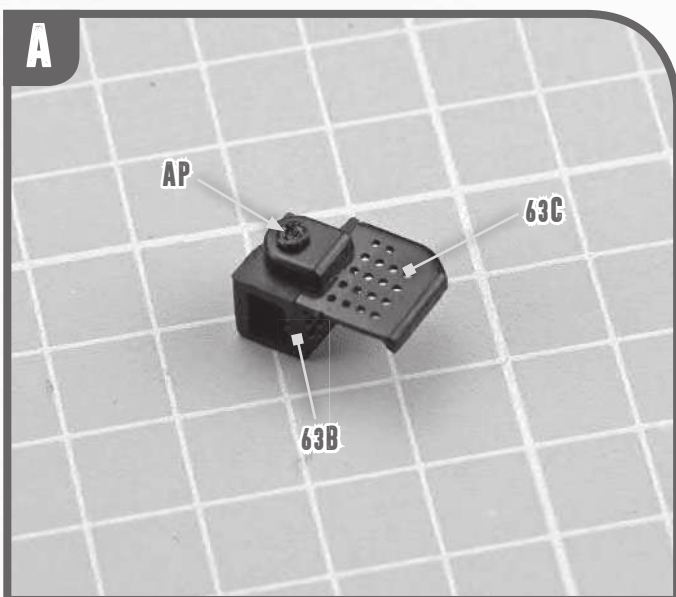


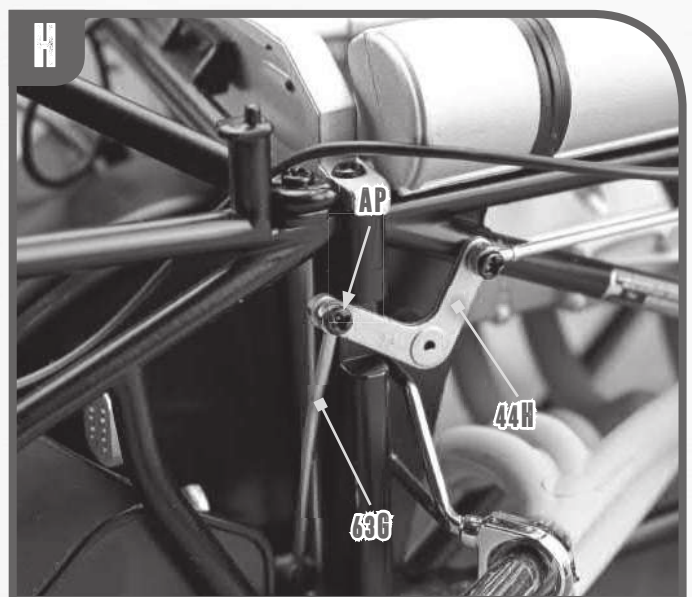
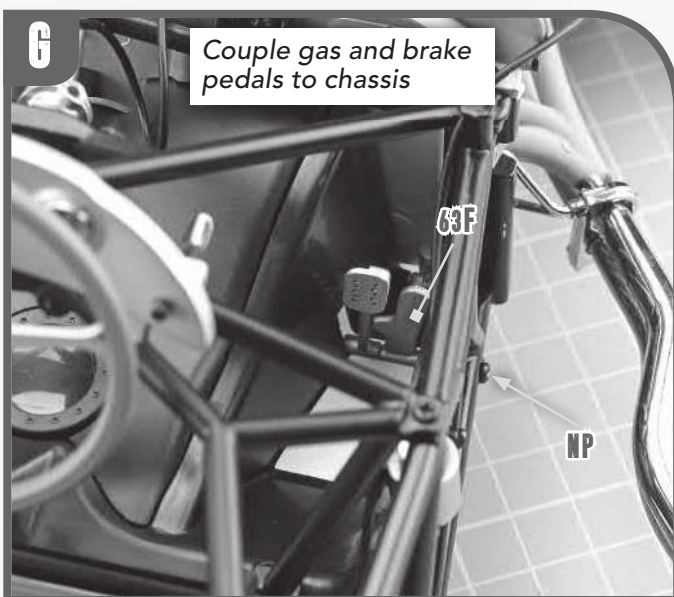
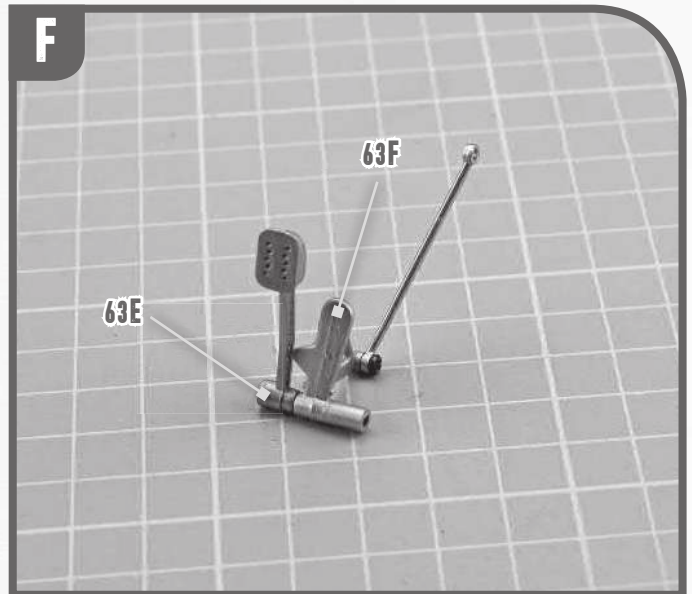
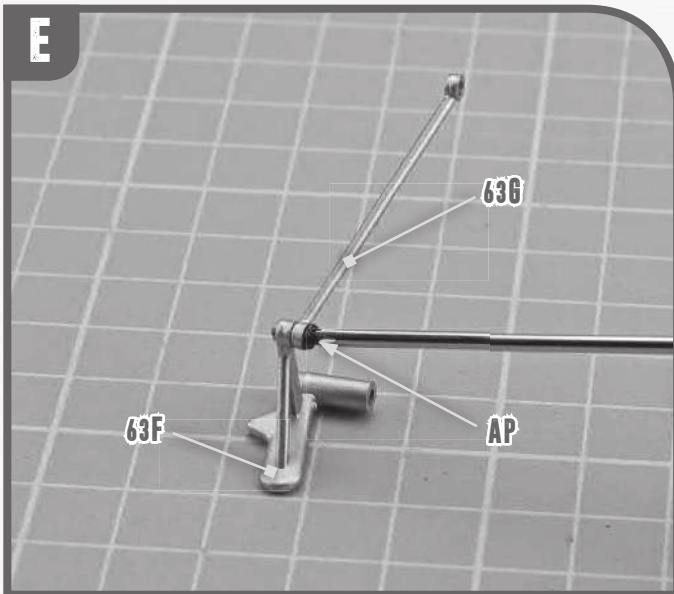
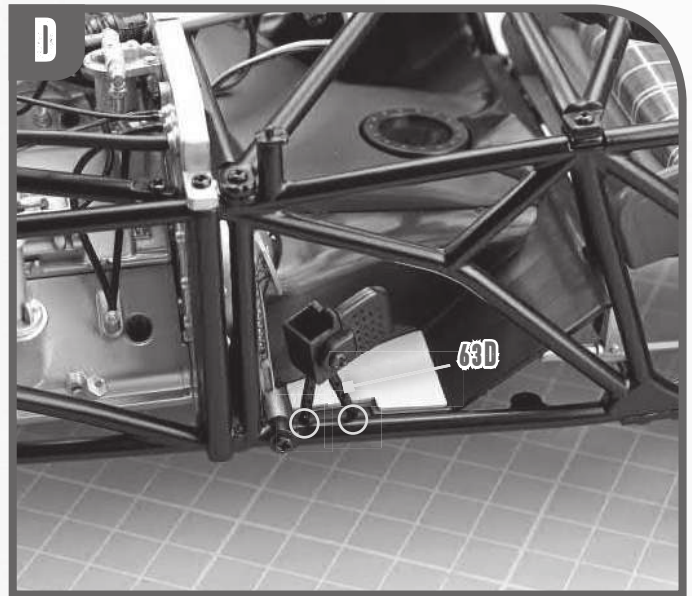
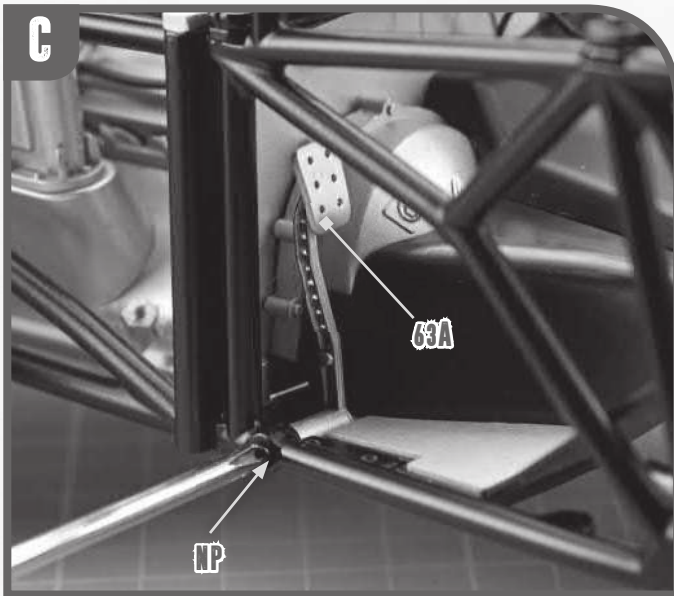
NP

- 63A** Clutch pedal
- 63B** Footrest part A
- 63C** Footrest part B
- 63D** Footrest part C

- 63E** Brake pedal
- 63F** Gas pedal
- 63G** Gas pedal shaft

- AP** 4 screws (1.7x4mm)
- NP** 3 screws (2x8mm)

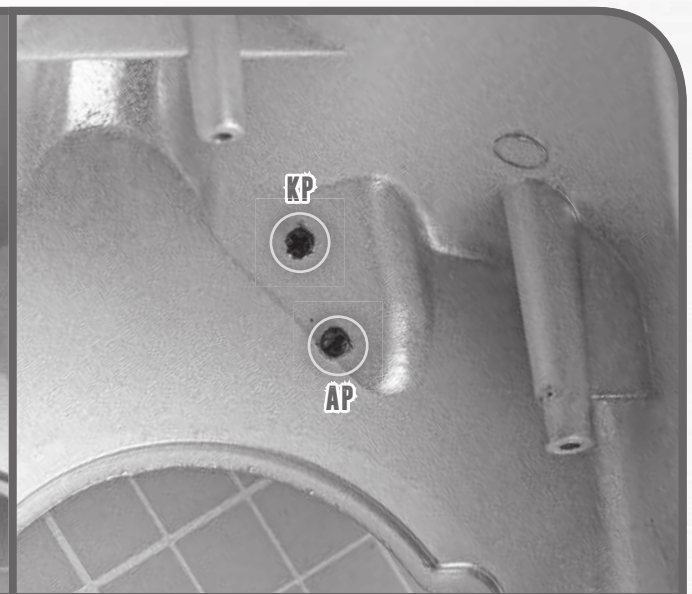
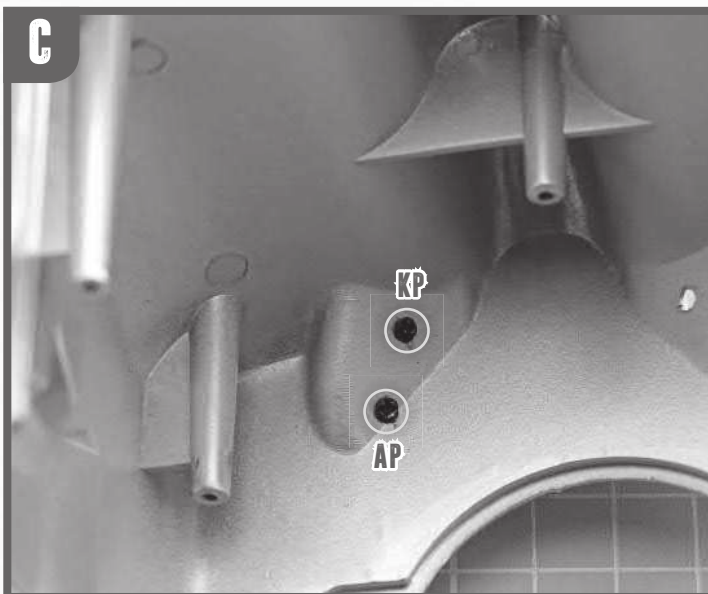
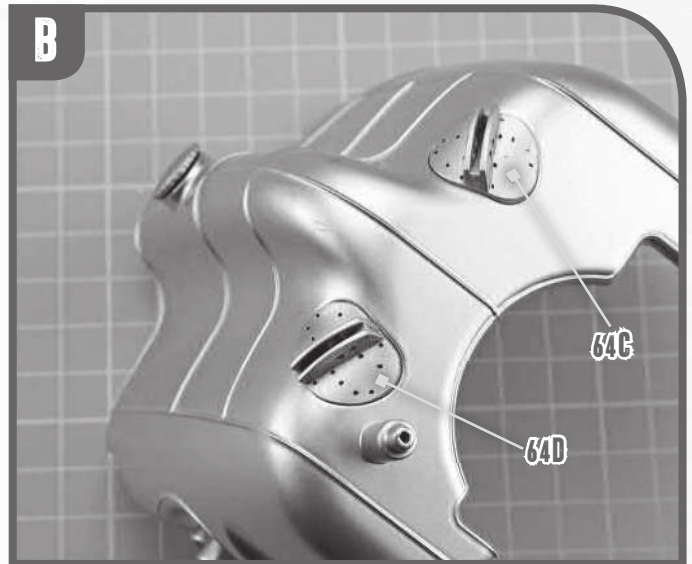
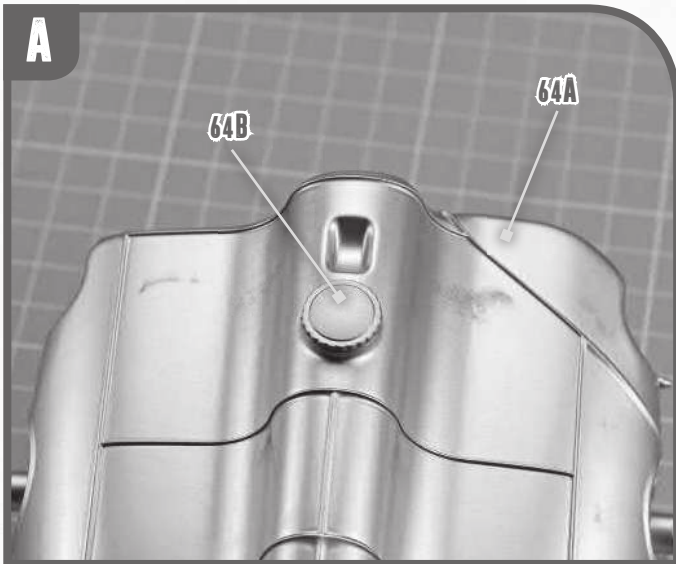




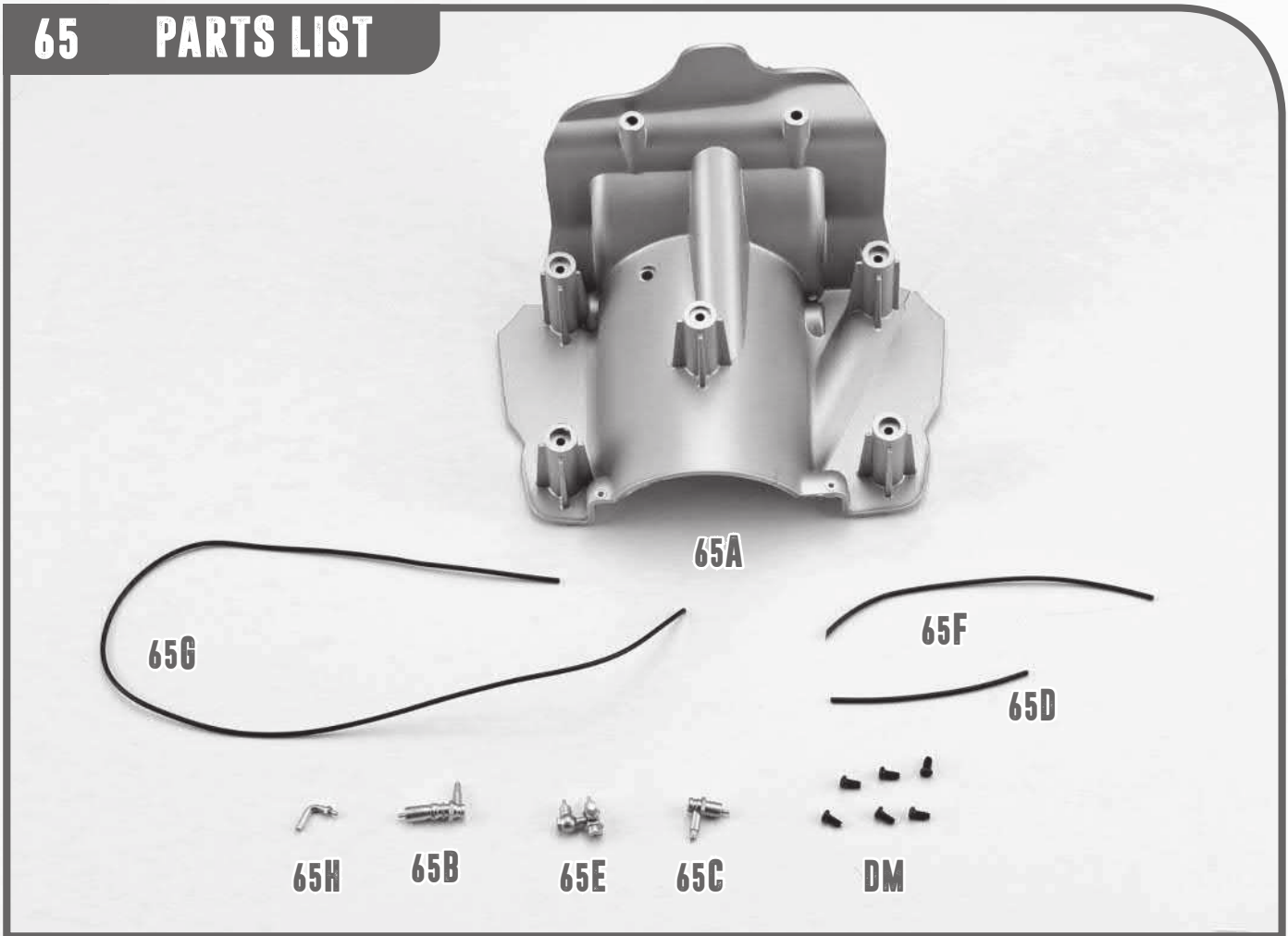
64 PARTS LIST

- 64A** Fuel tank body
- 64B** Cap
- 64C** Fuel tank detail 1 (R)
- 64D** Fuel tank detail 2 (L)

- AP** 3 screws (1.7x4mm)
- KP** 3 screws (1.7x3mm)



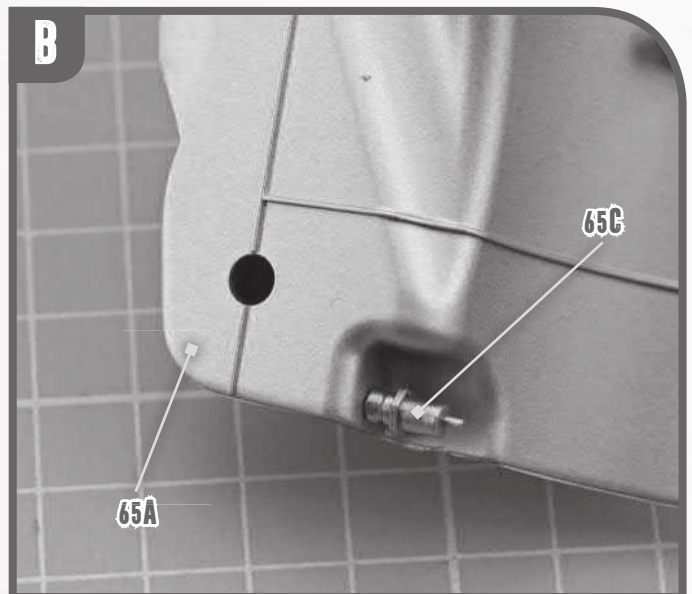
65 PARTS LIST



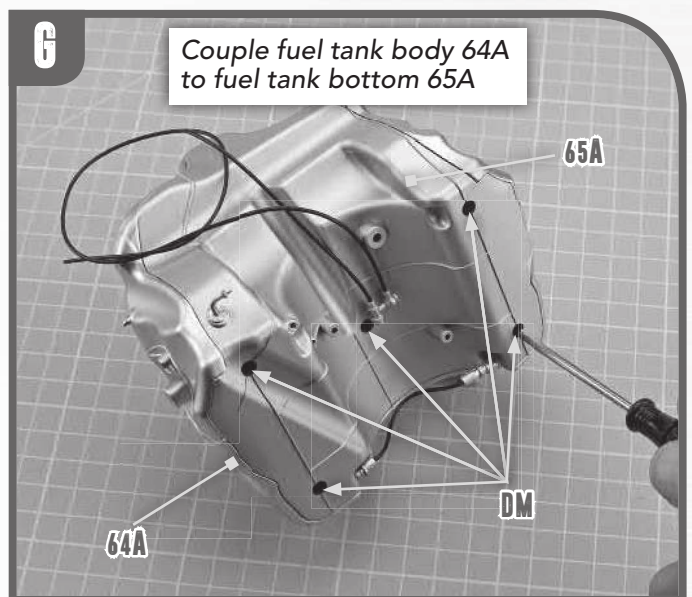
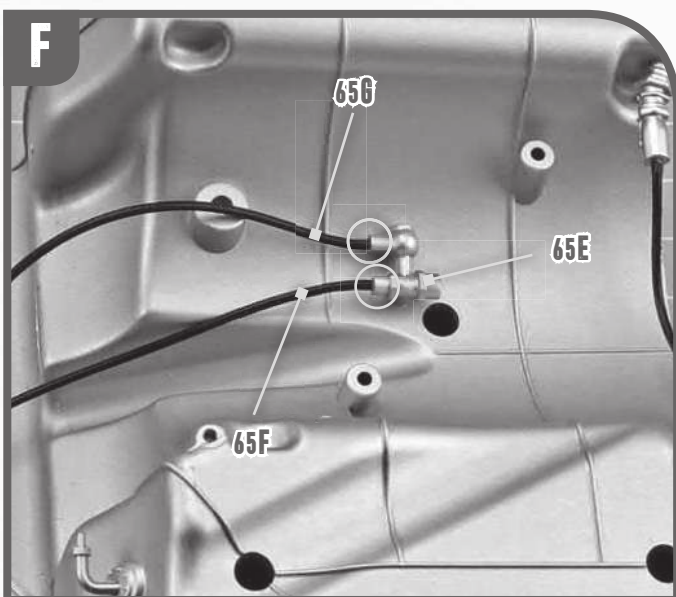
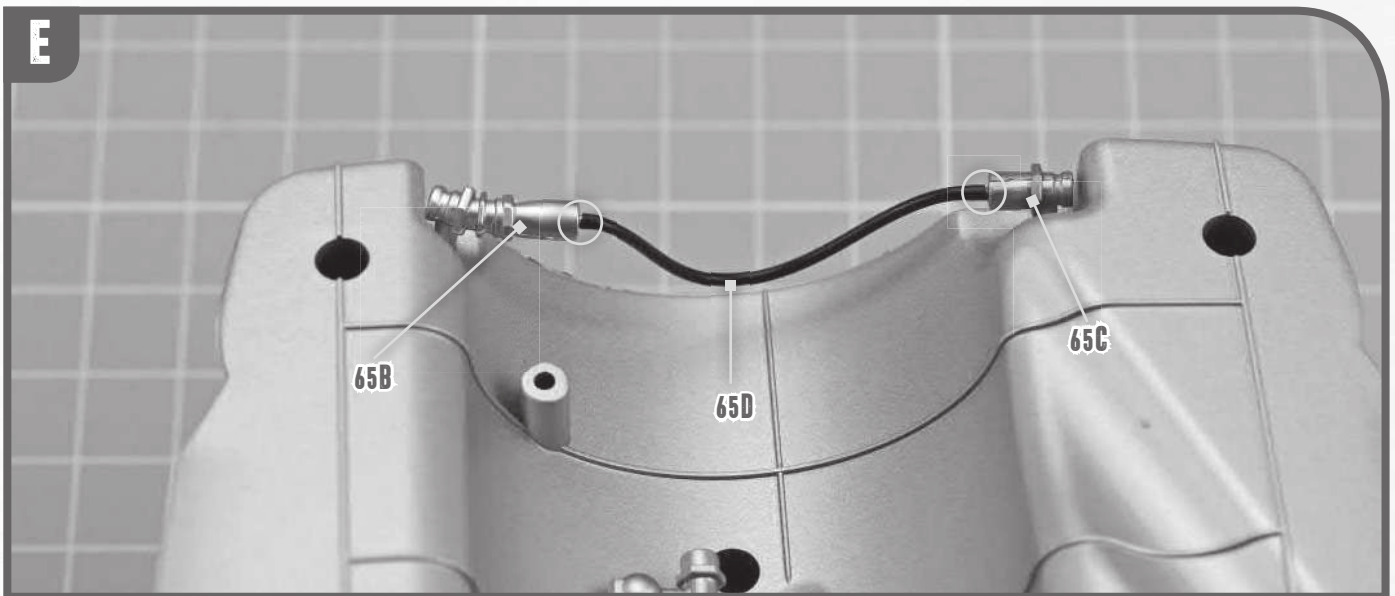
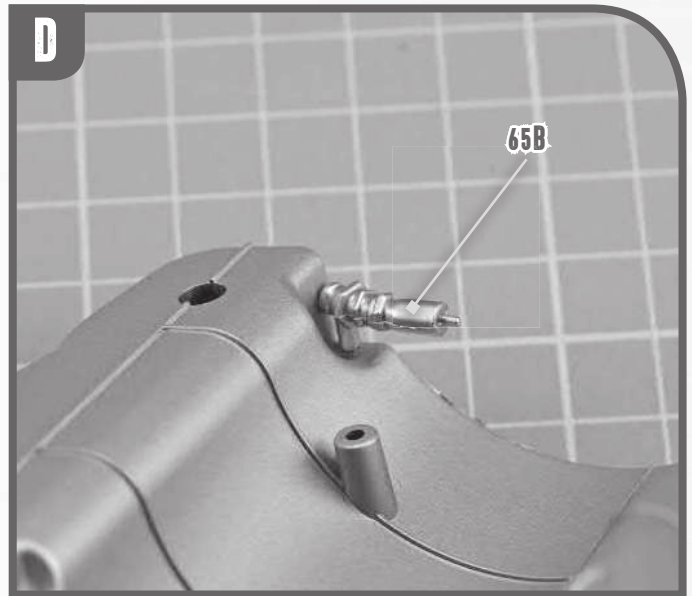
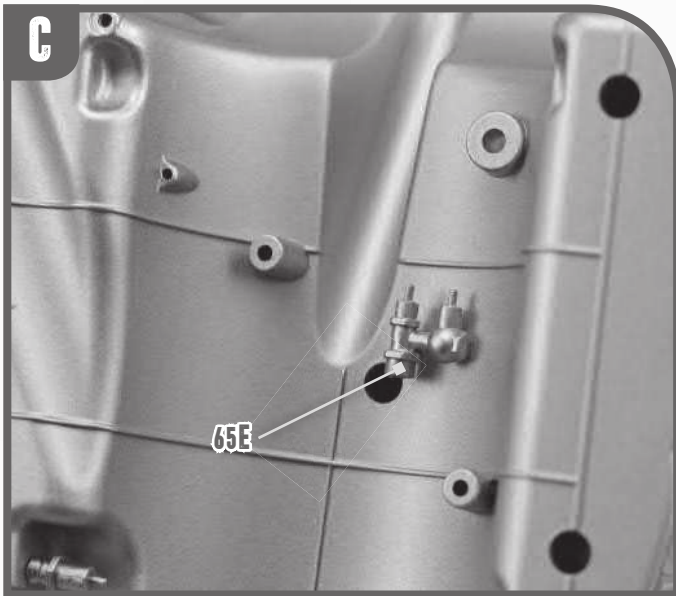
65A Fuel tank bottom
65B Detail 1
65C Detail 2
65D Fuel line 5

65E Detail 3
65F Fuel line 6
65G Fuel line 7
65H Detail 4

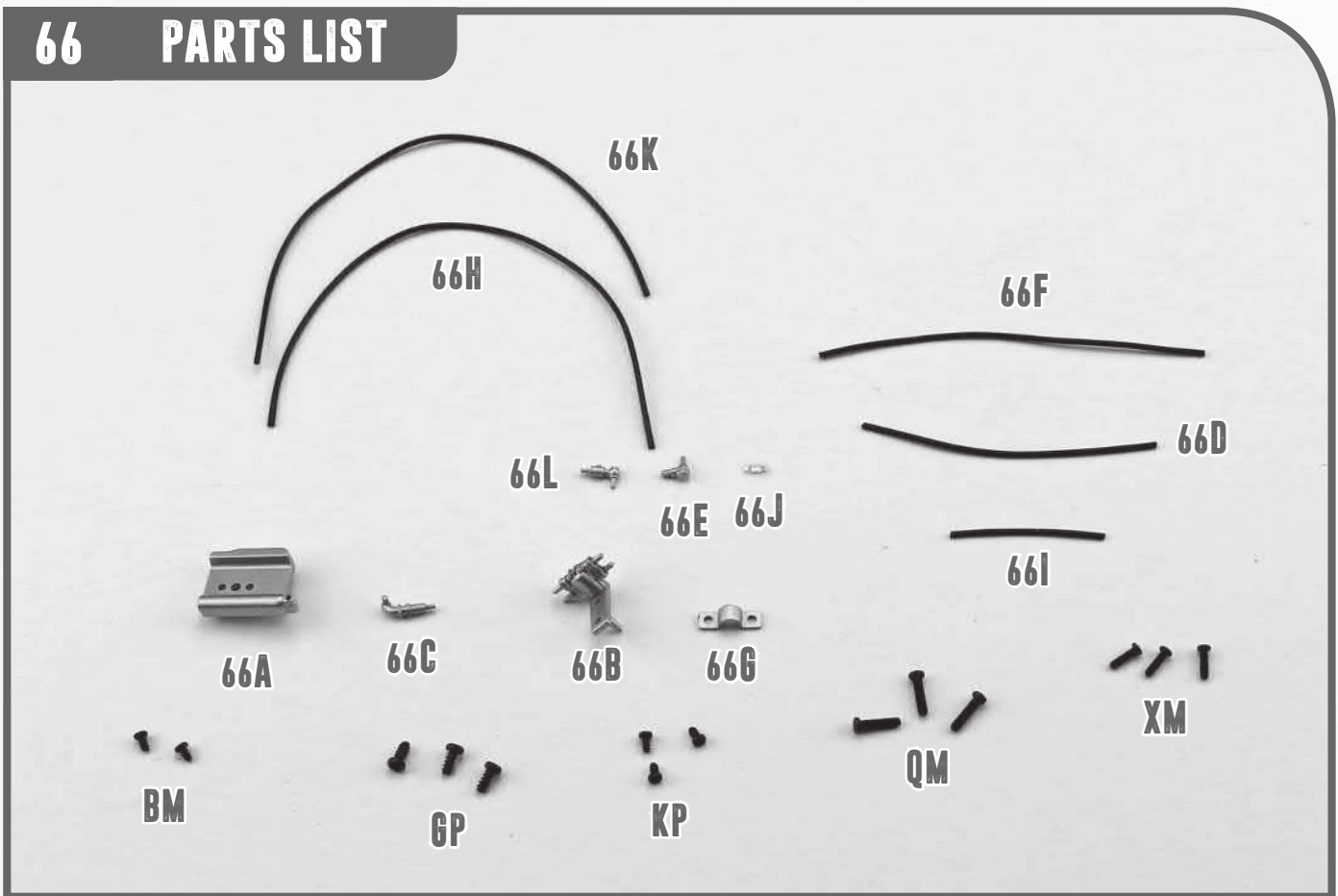
DM 6 screws (2x4mm)



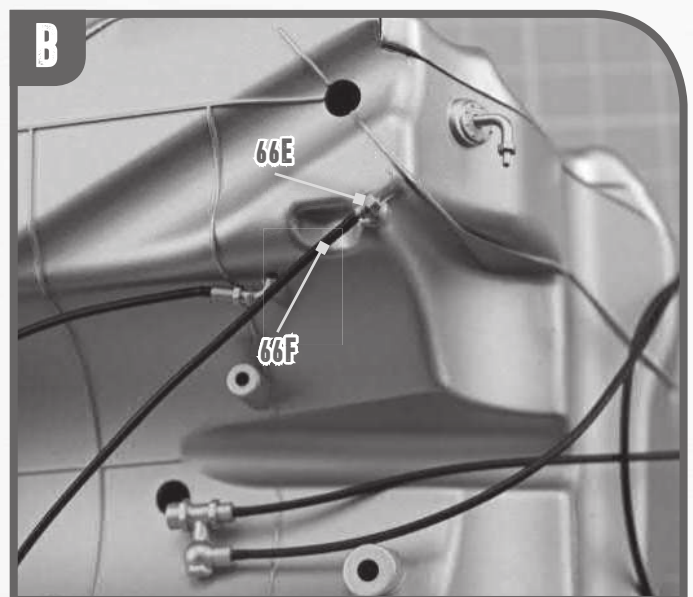
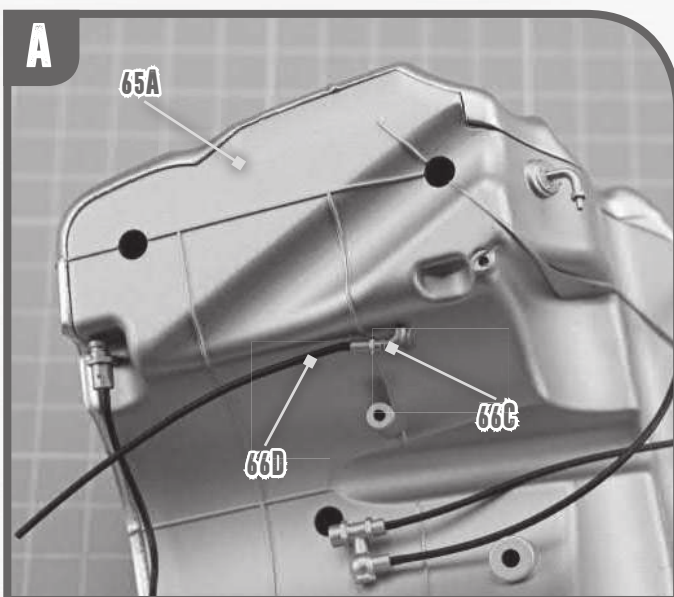
stepbystep #65



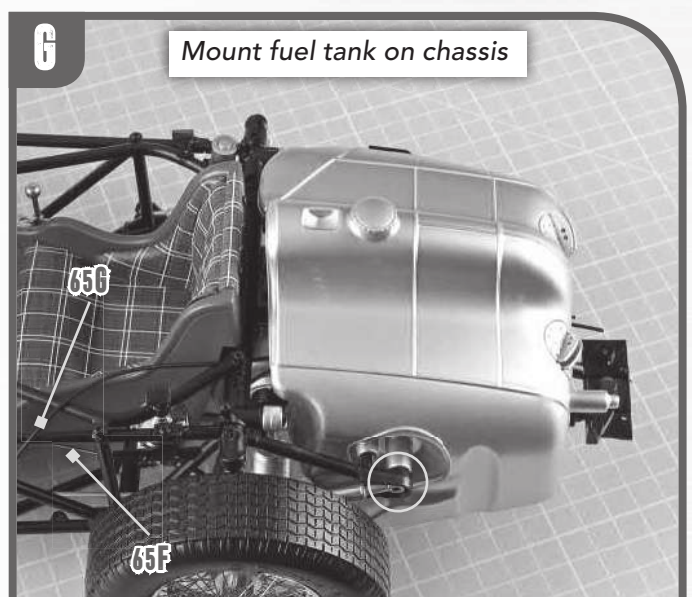
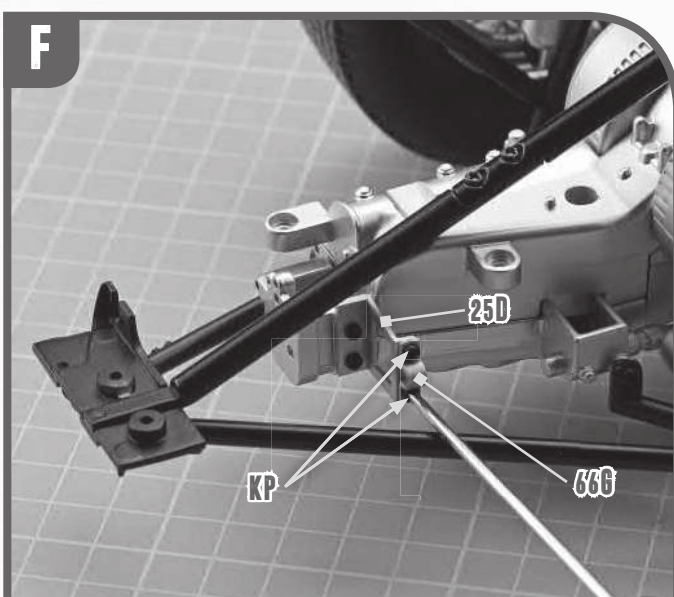
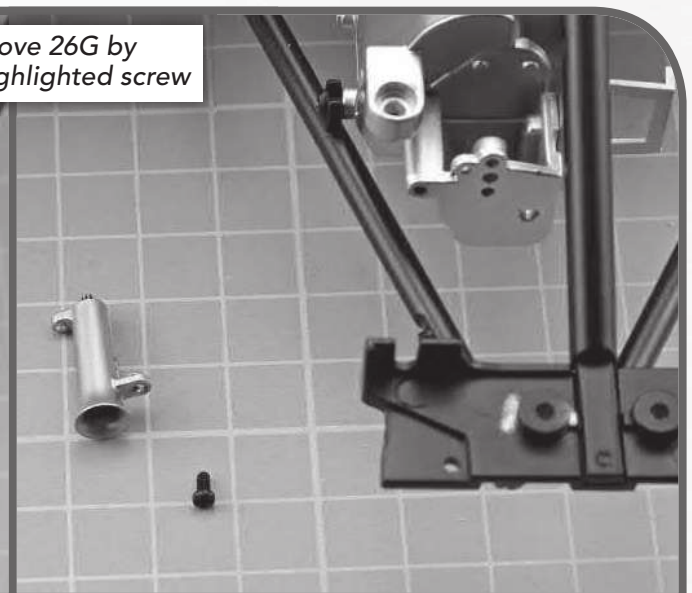
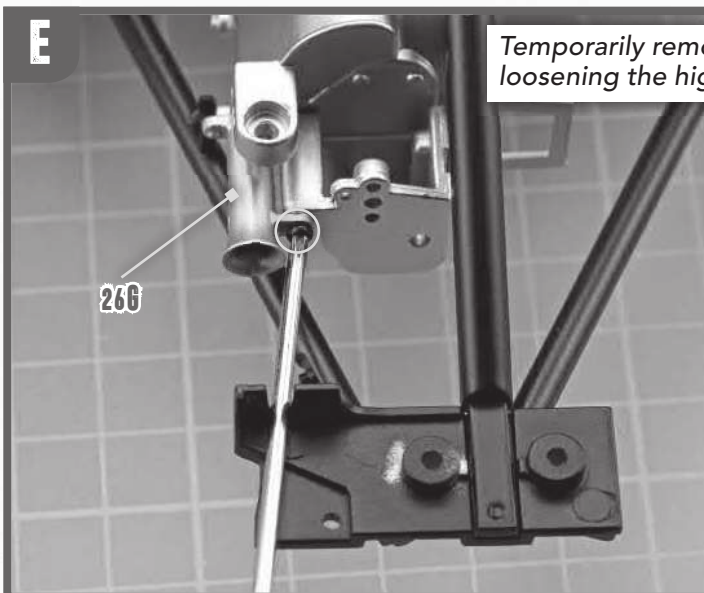
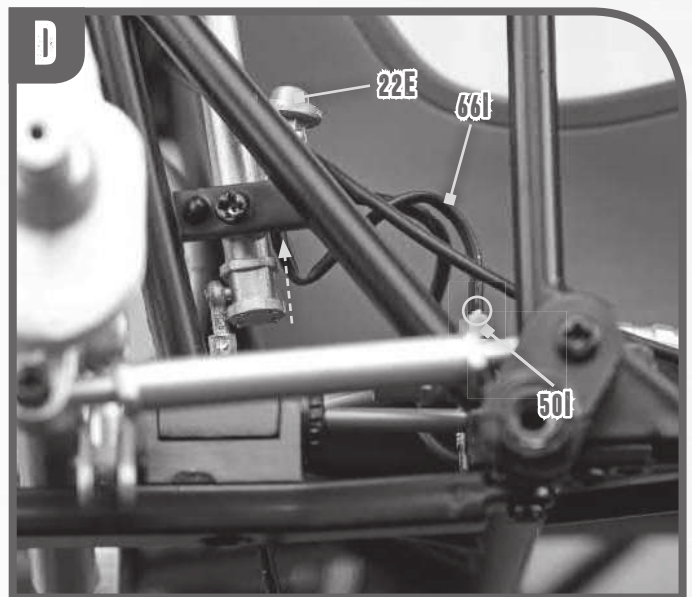
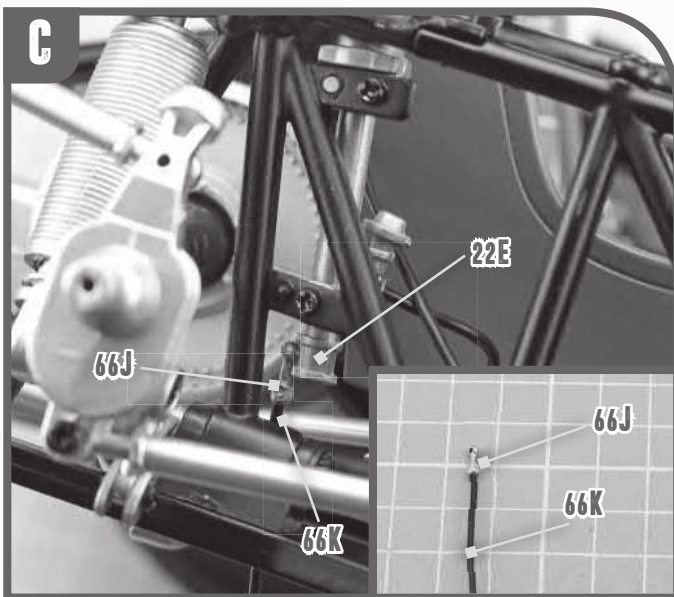
66 PARTS LIST

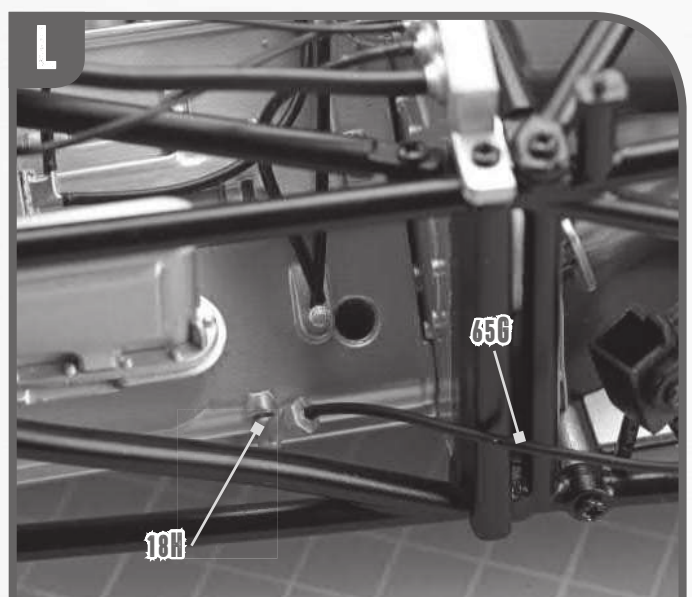
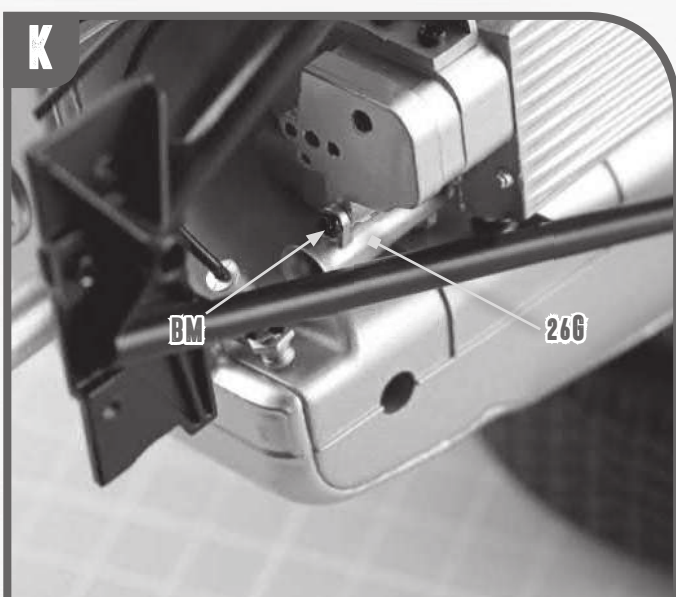
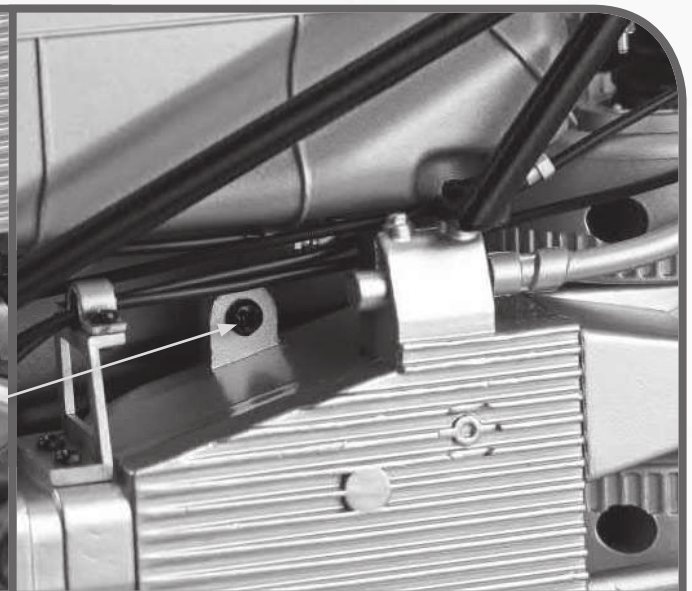
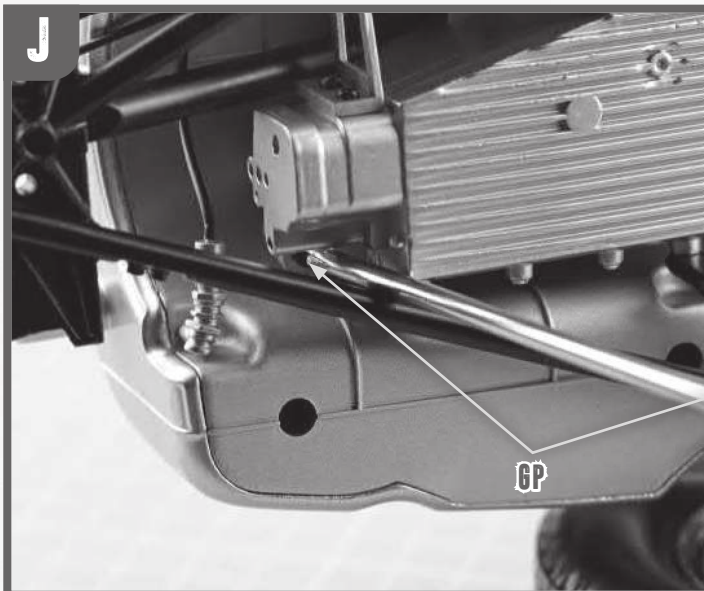
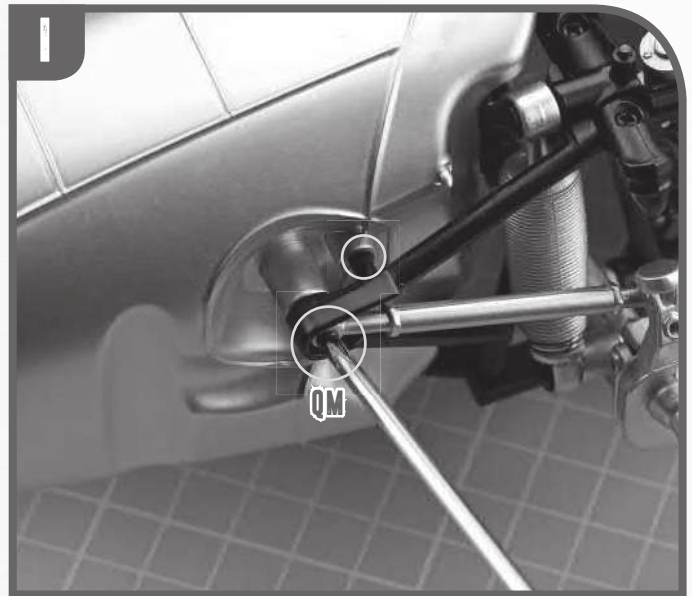


- | | | |
|-------------------------------|-------------------------|------------------------------|
| 66A Gearbox rear cover | 66G Bracket | GP 3 screws (2.3x5mm) |
| 66B Fuel distributor | 66H Fuel line 10 | KP 3 screws (1.7x3mm) |
| 66C Detail 1 | 66I Fuel line 11 | BM 2 screws (1.7x3mm) |
| 66D Fuel line 8 | 66J Detail 3 | QM 3 screws (2x8mm) |
| 66E Detail 2 | 66K Fuel line 12 | XM 3 screws (1.5x6mm) |
| 66F Fuel line 9 | | |

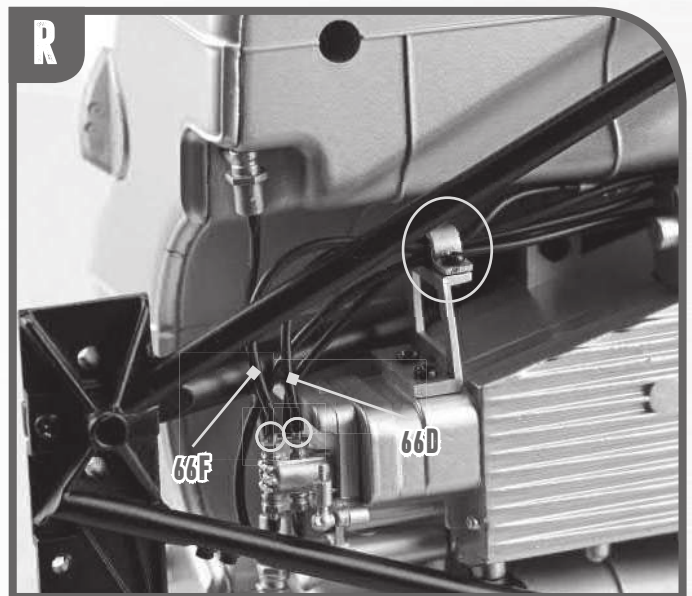
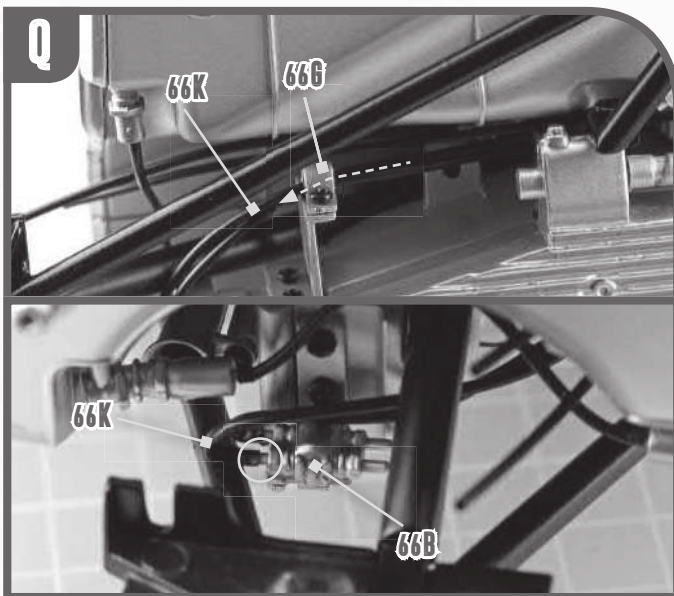
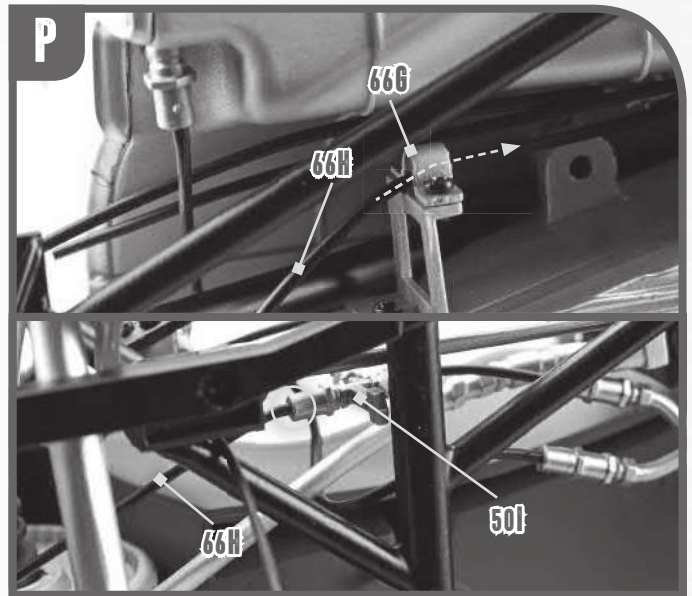
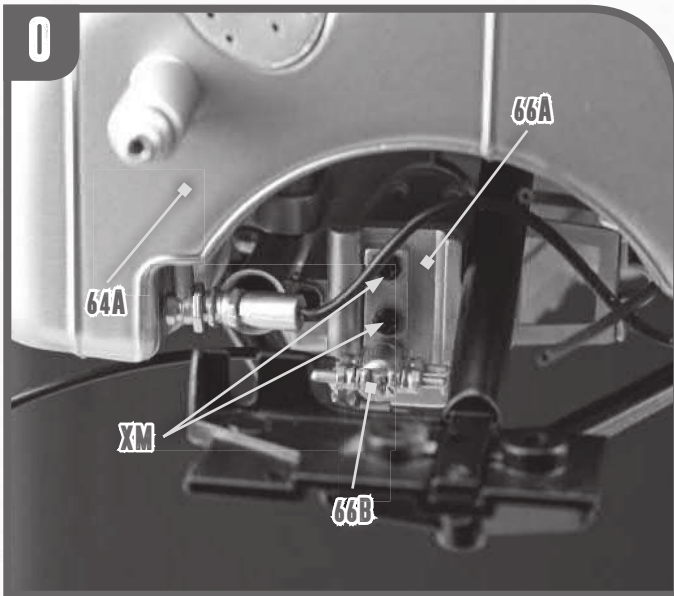
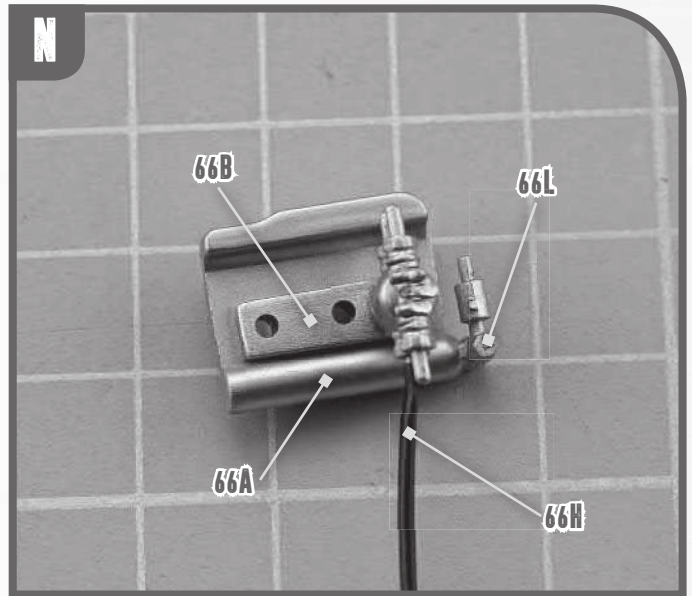


stepbystep #66

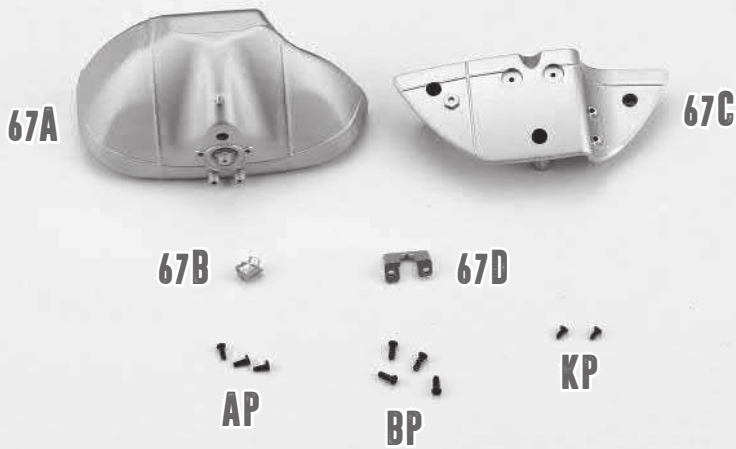




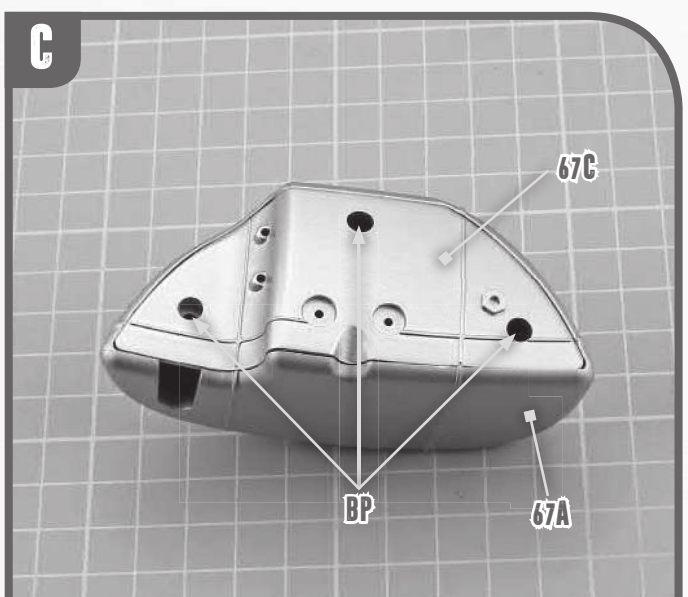
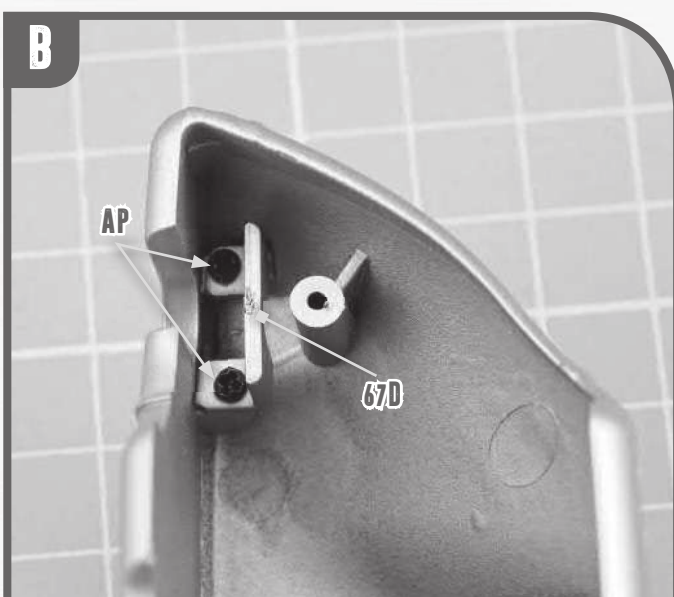
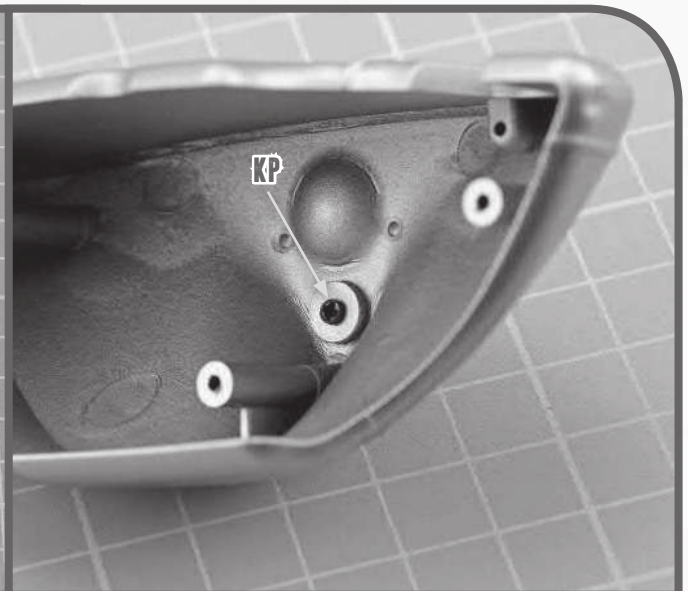
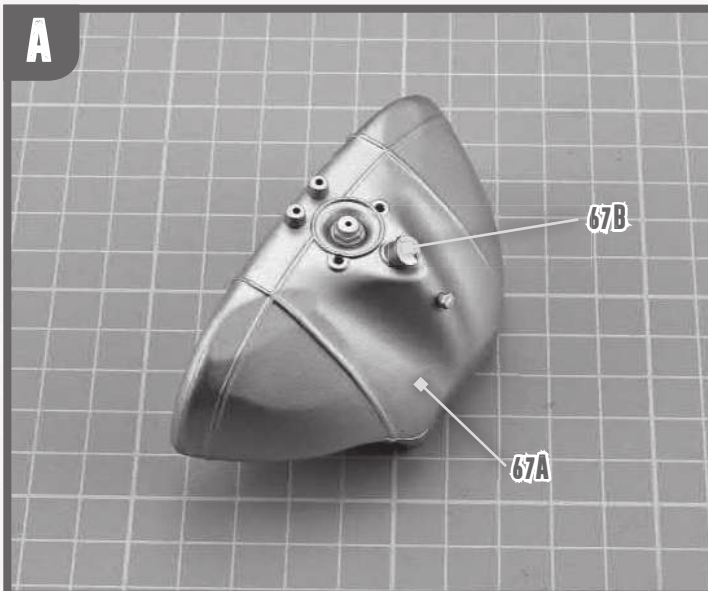
stepbystep #66



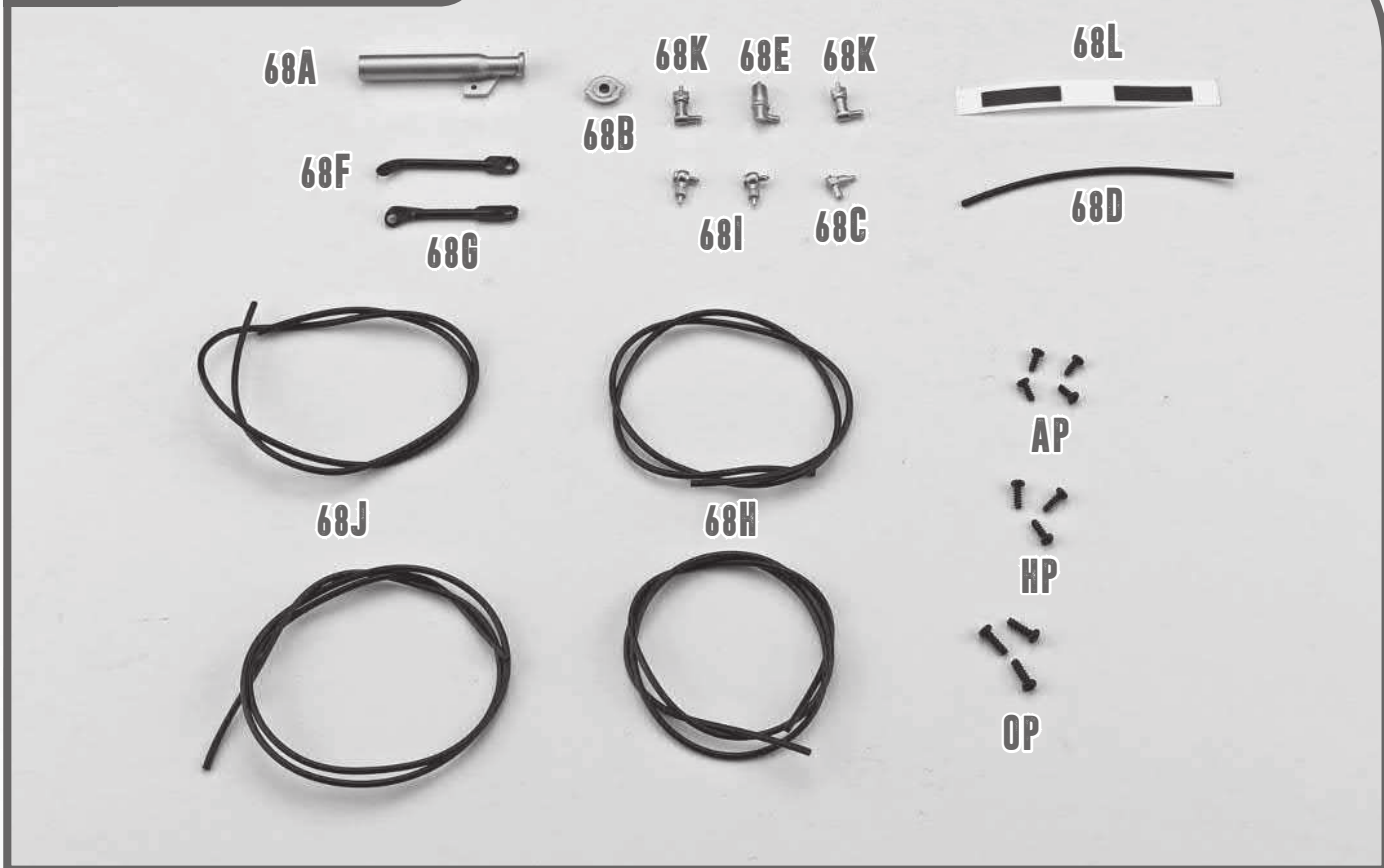
67 PARTS LIST



- 67A** Oil tank body
- 67B** Filler cap
- 67C** Oil tank bottom
- 67D** Bracket
- AP** 3 screws (1.7x4mm)
- BP** 4 screws (2x5mm)
- KP** 2 screws (1.7x3mm)



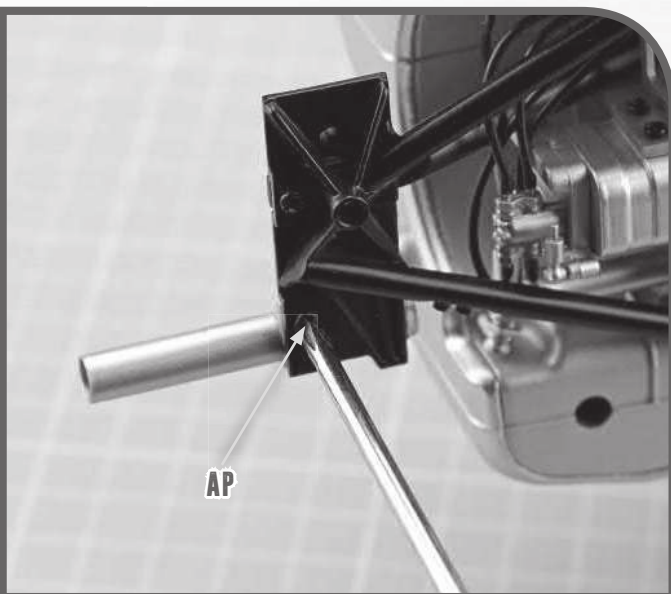
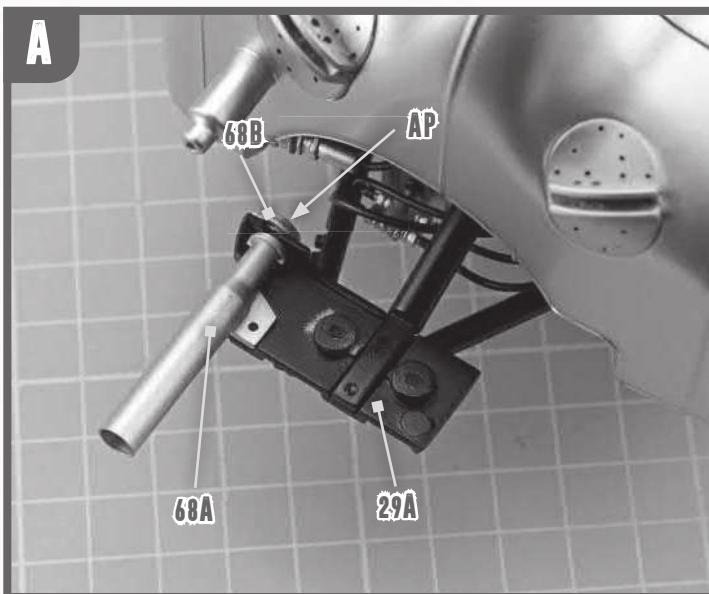
68 PARTS LIST

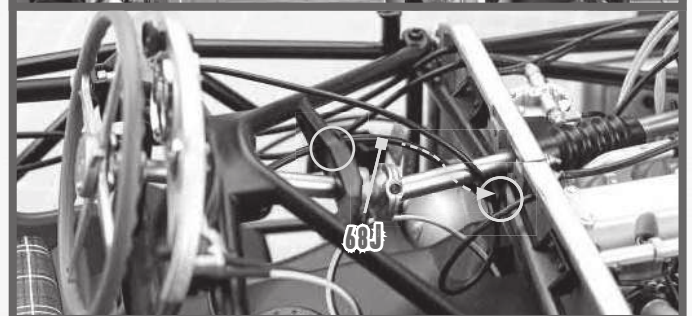
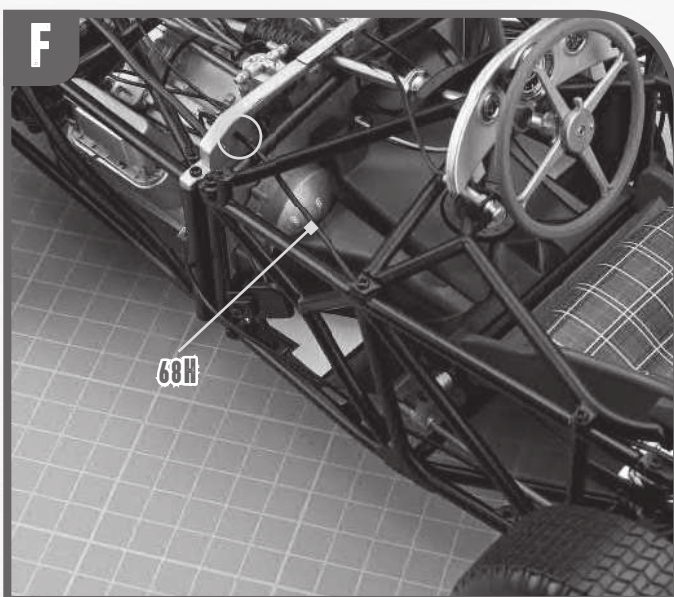
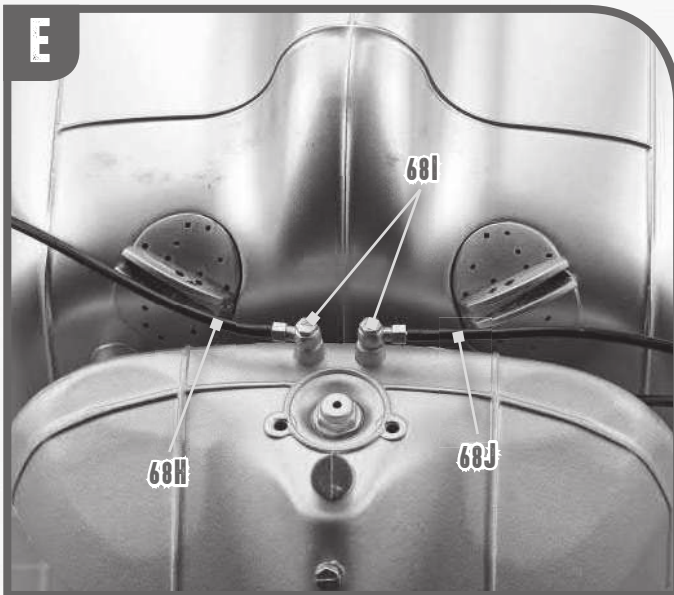
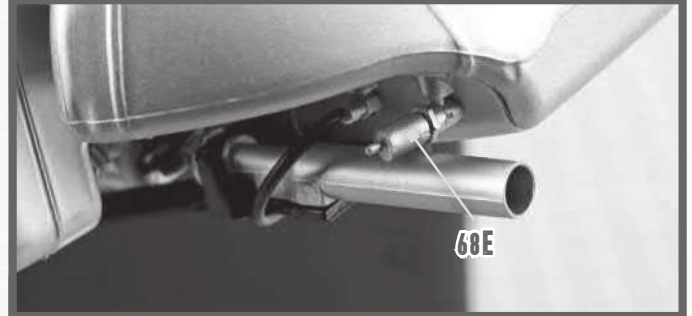
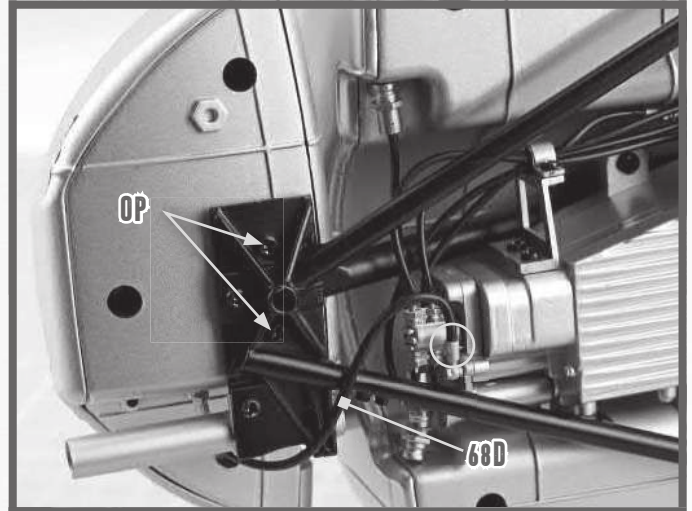
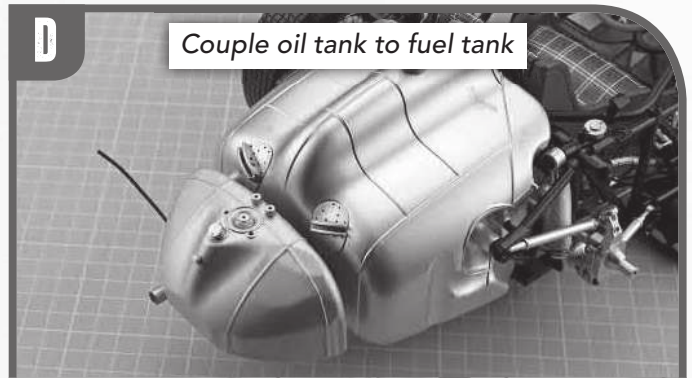
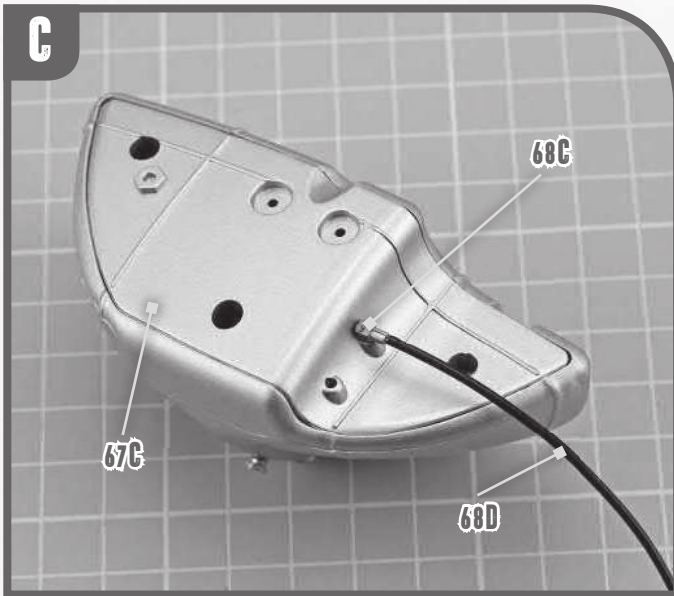


68A Shaft part A
68B Shaft part B
68C Detail 1
68D Tube 1
68E Detail 2
68F Bracket 1 (L)

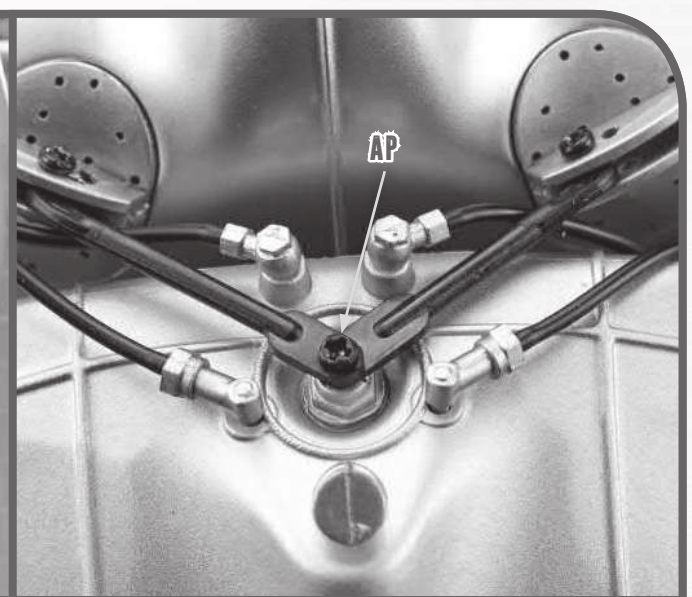
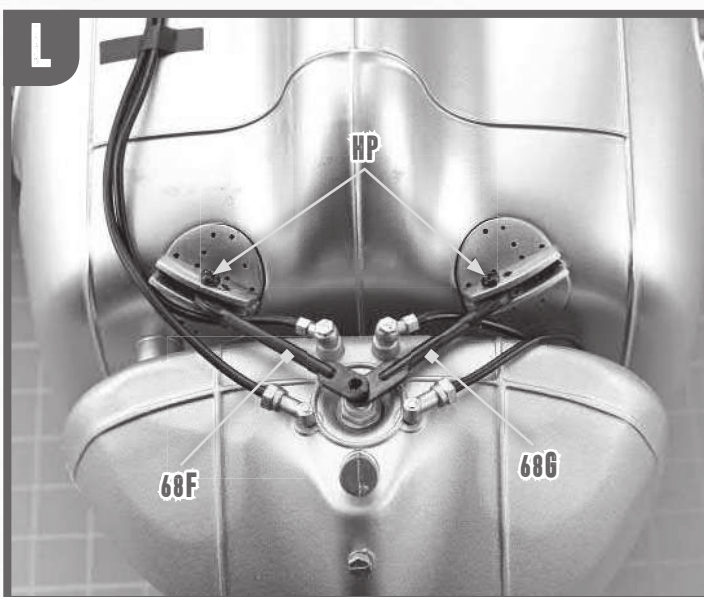
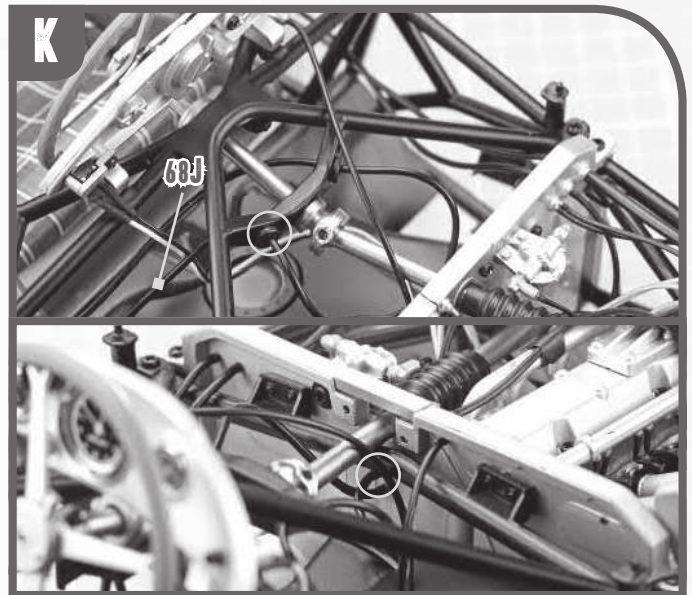
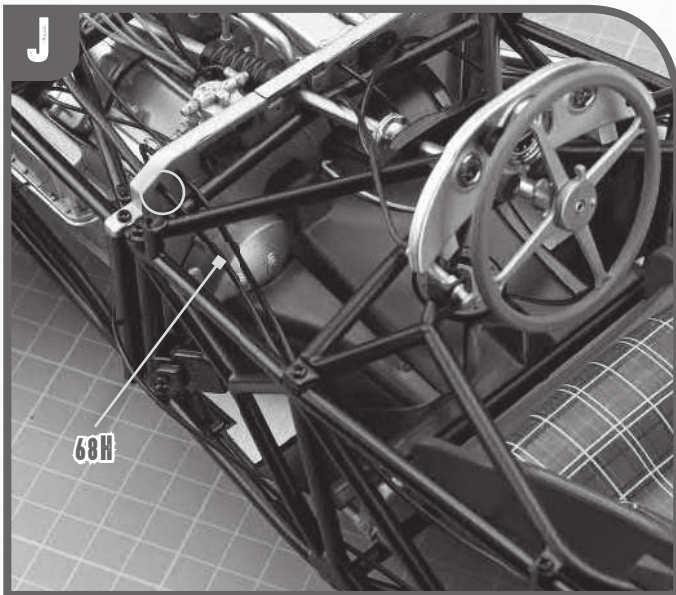
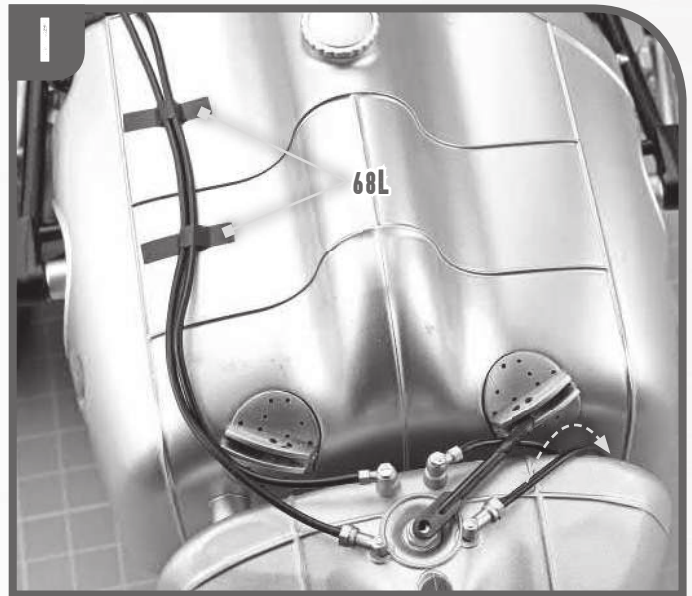
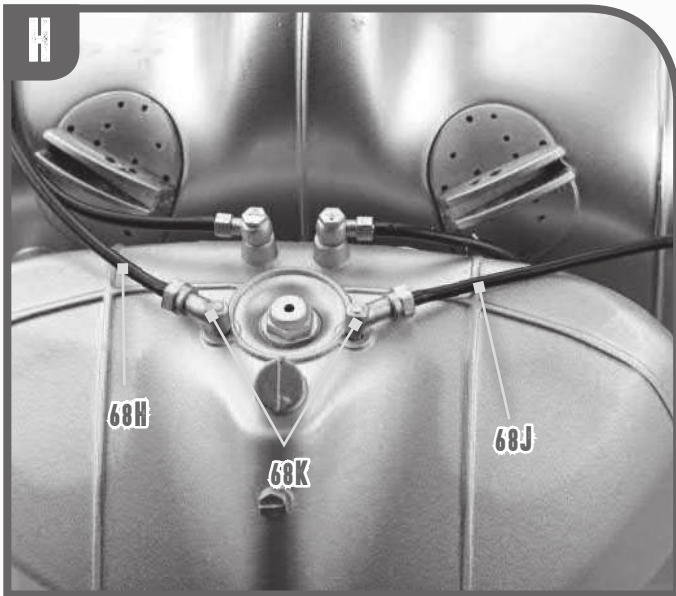
68G Bracket 2 (R)
68H Tubes 2 (x2)
68I Details 3 (x2)
68J Tubes 3 (x2)
68K Details 4 (x2)
68L Tapes (x2)

AP 4 screws (1.7x4mm)
HP 3 screws (1.7x5mm)
OP 3 screws (2x7mm)



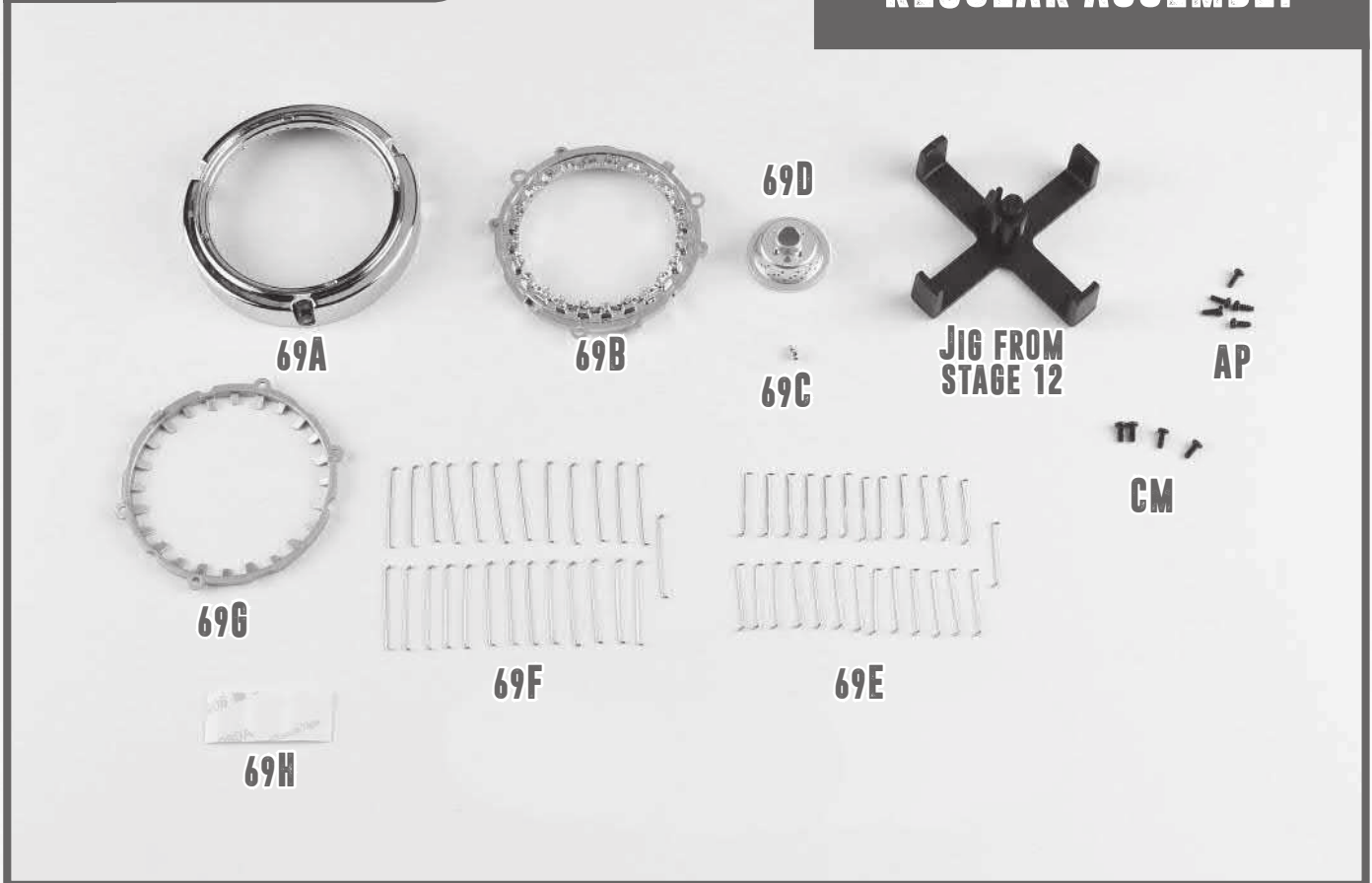


stepbystep #68



69 PARTS LIST

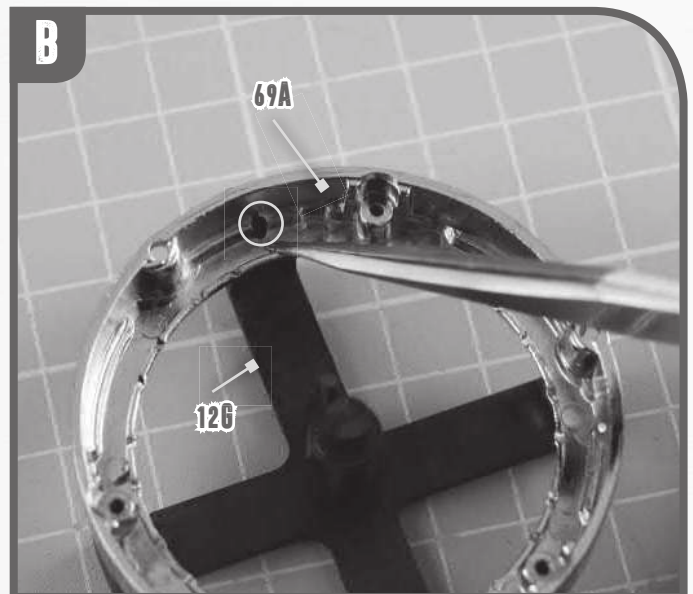
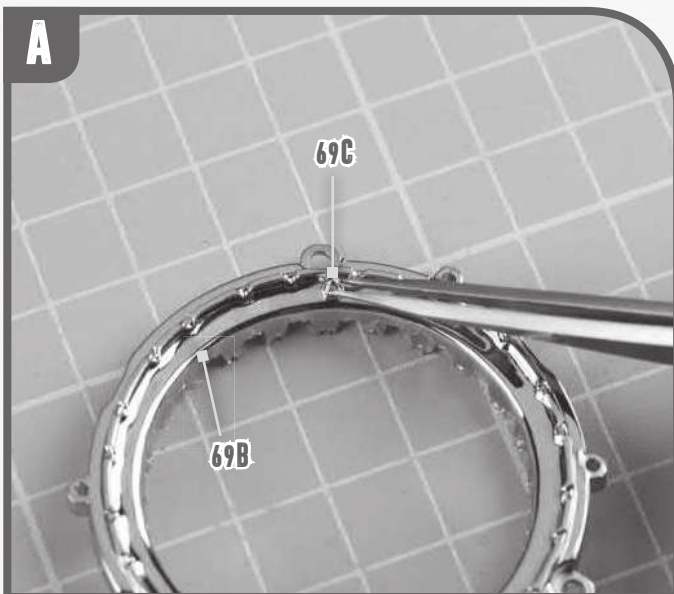
REGULAR ASSEMBLY



- 69A** Outer rim
- 69B** Central ring 1
- 69C** Inflation valve
- 69D** Hub 1

- 69E** Spokes 1
- 69F** Spokes 2
- 69G** Central ring 2
- 69H** Double-sided tape

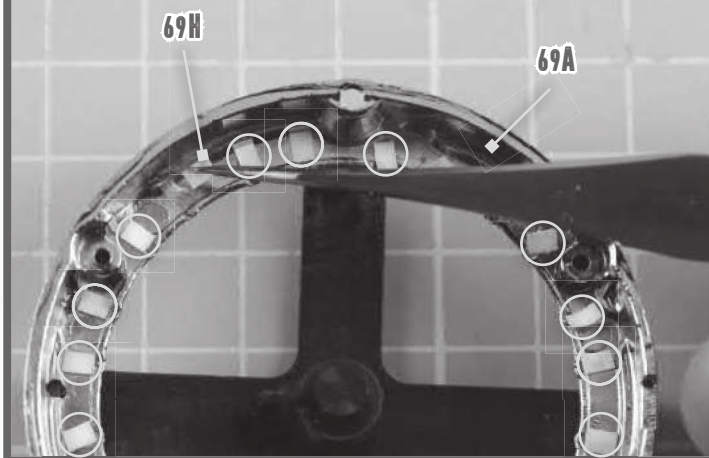
- AP** 5 screws (1.7x4mm)
- CM** 4 screws (1.7x4mm)



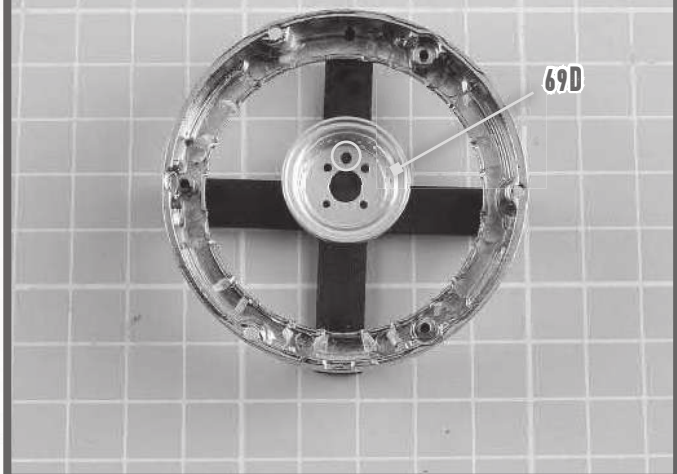
step by step #69

C

Apply 24 pieces of double-sided tape 69H to 69A's inner profile and tear off their top sheets.

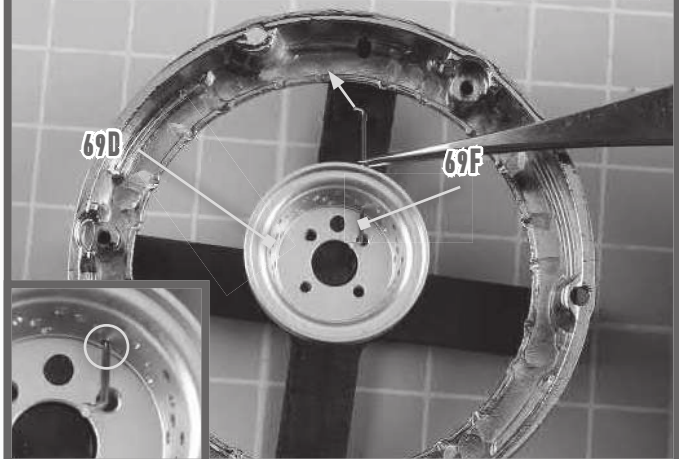


D



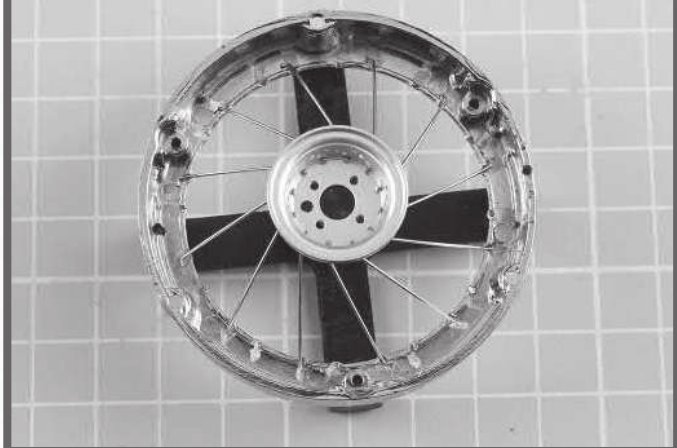
E

Insert 1 spoke 69F through a hole in 69D's first level (counting from the bottom).



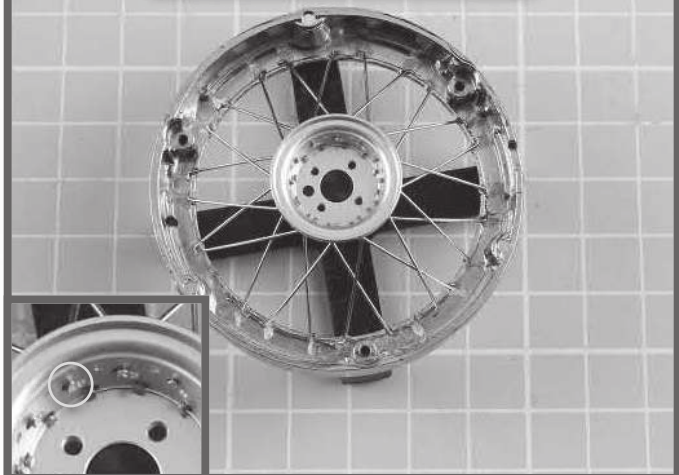
F

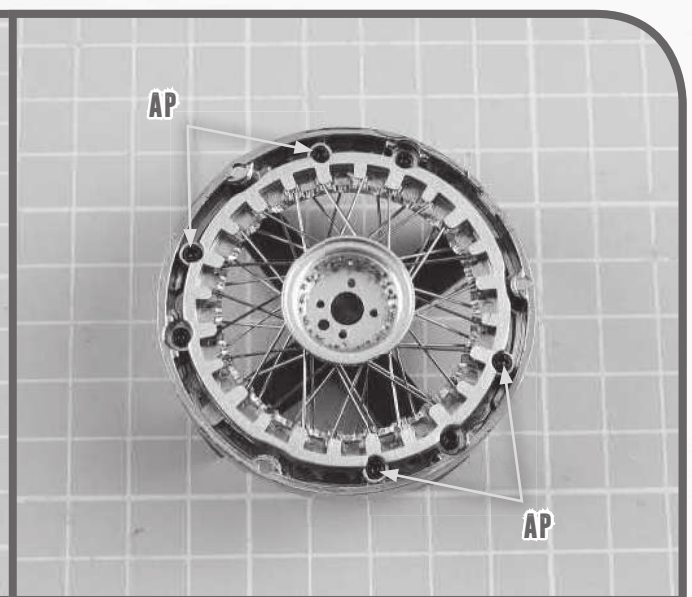
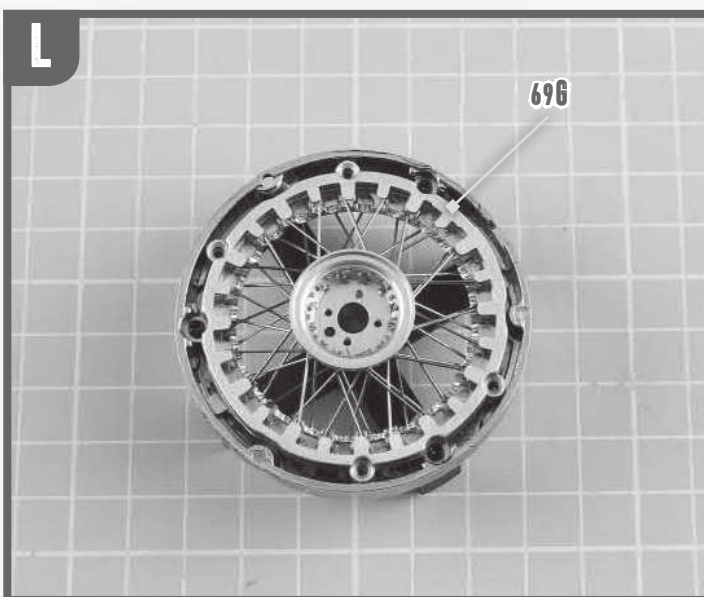
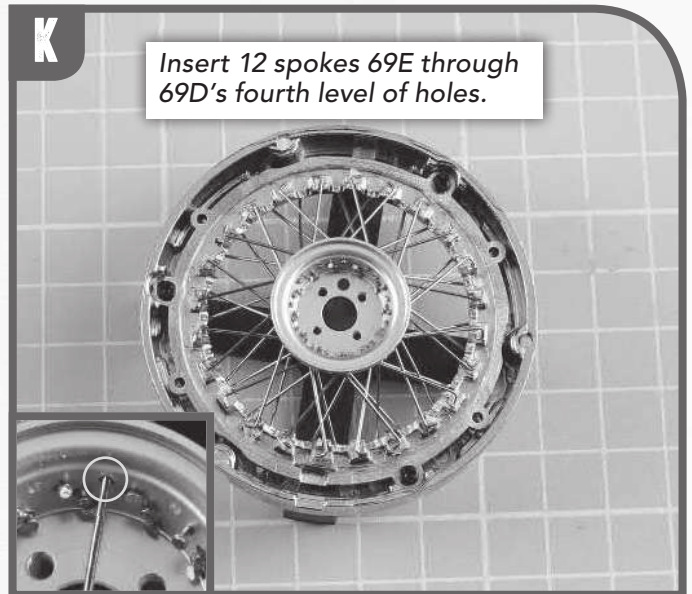
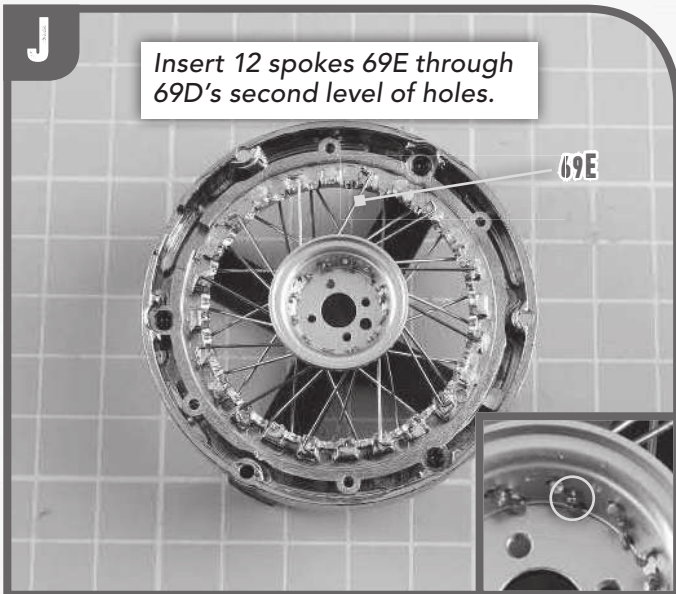
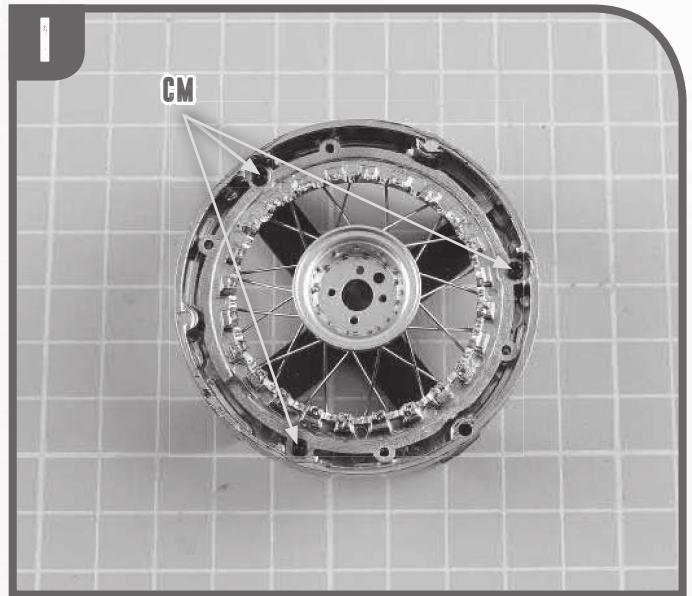
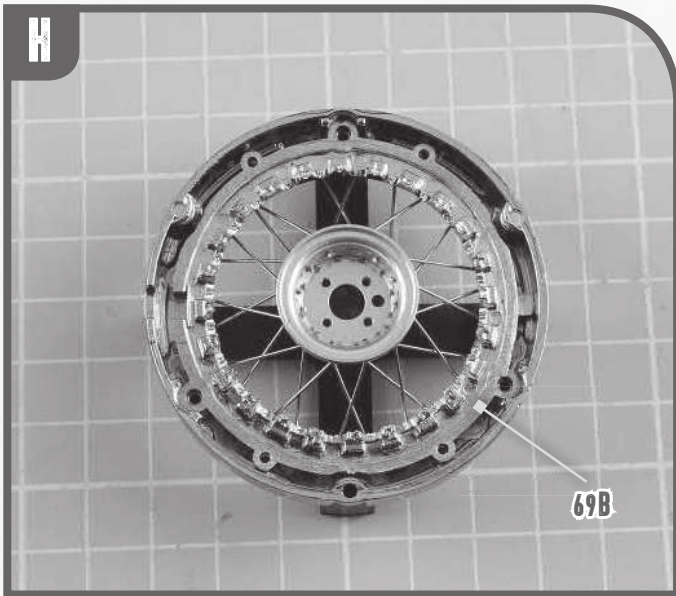
Repeat the process with other 11 spokes 69F.



G

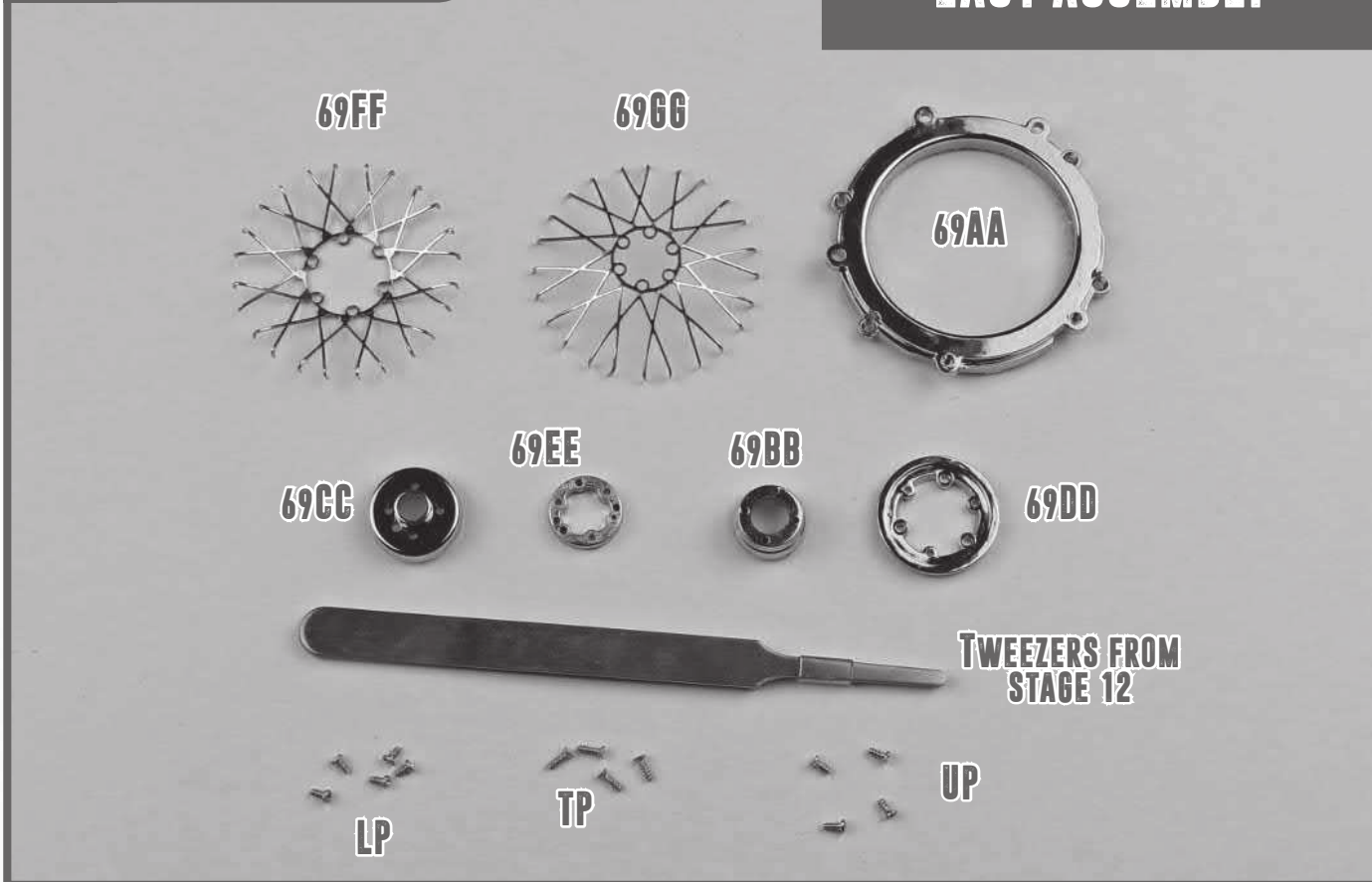
Insert 12 spokes 69F through 69D's third level of holes.





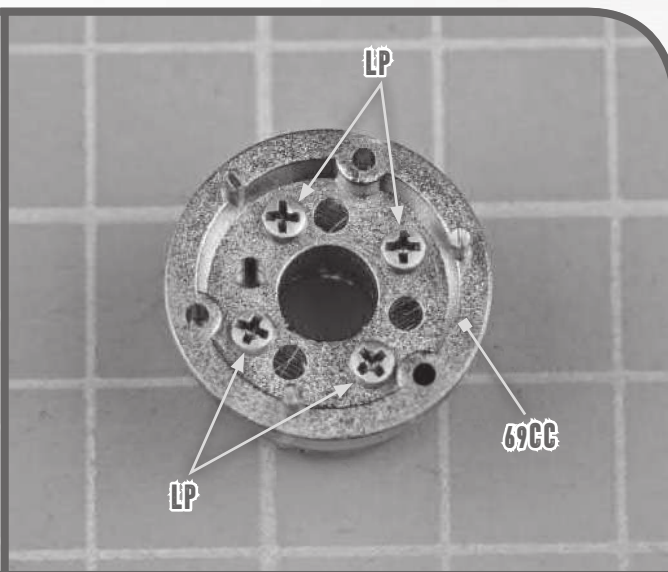
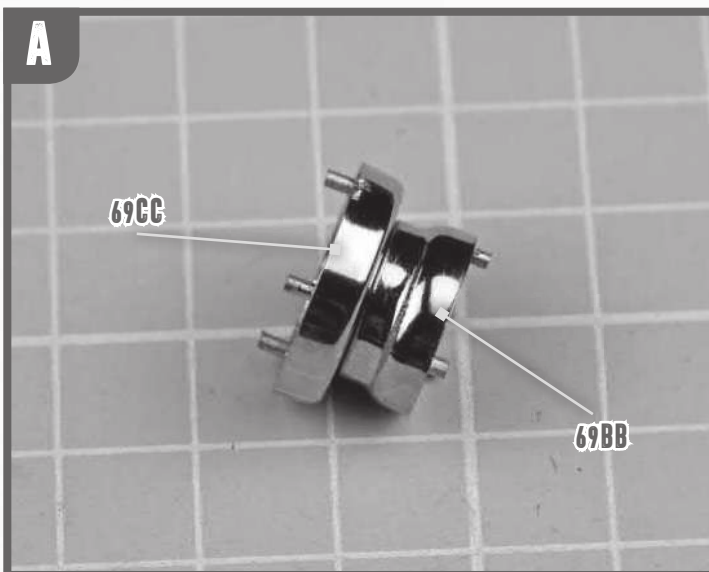
69B PARTS LIST

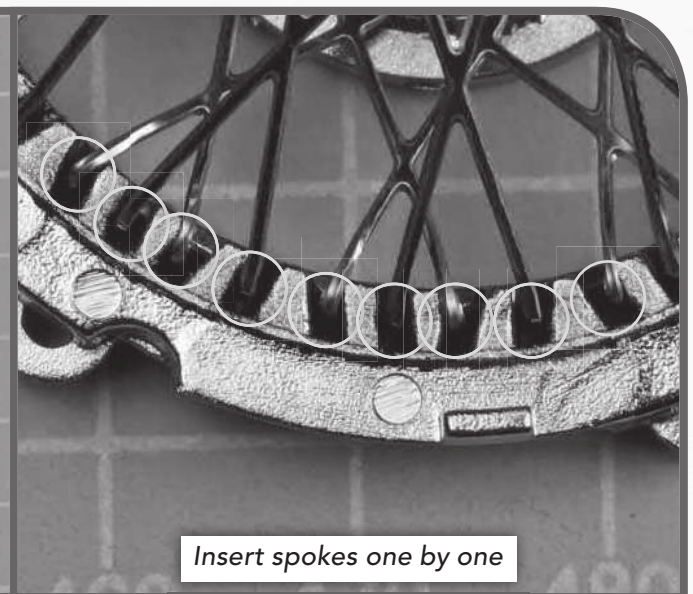
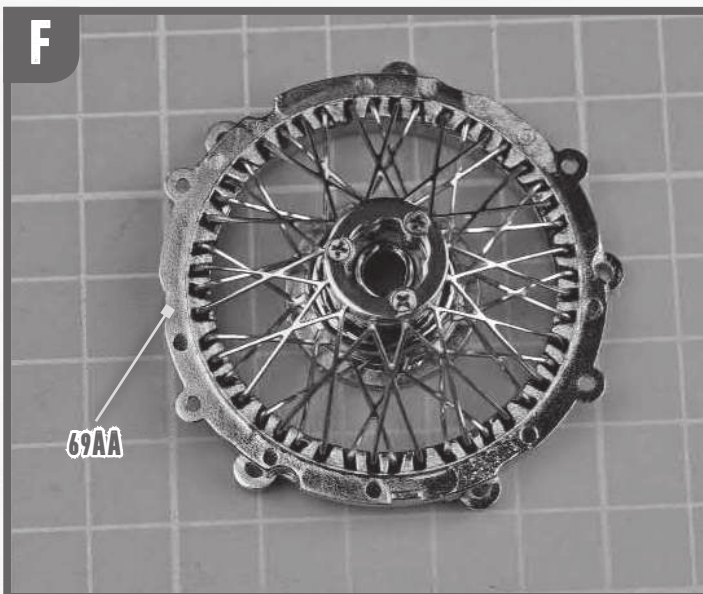
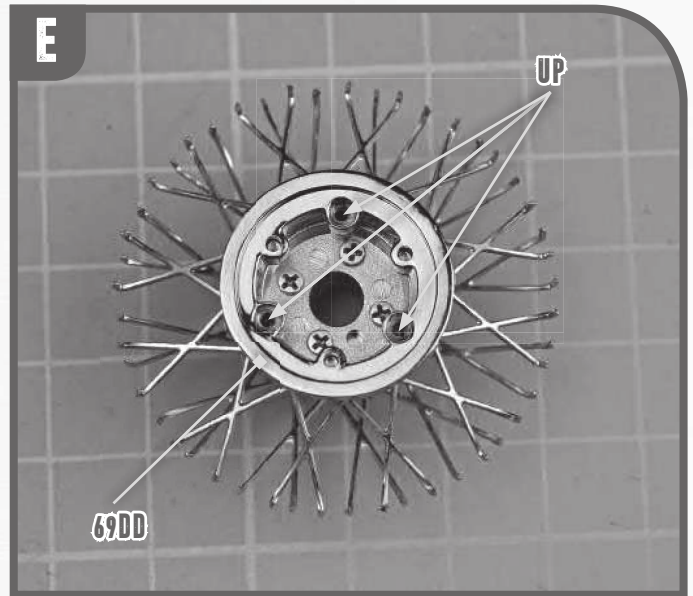
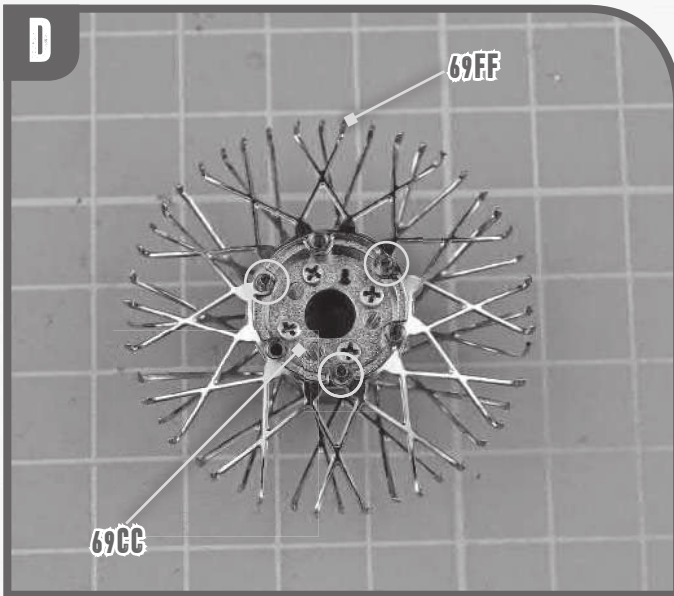
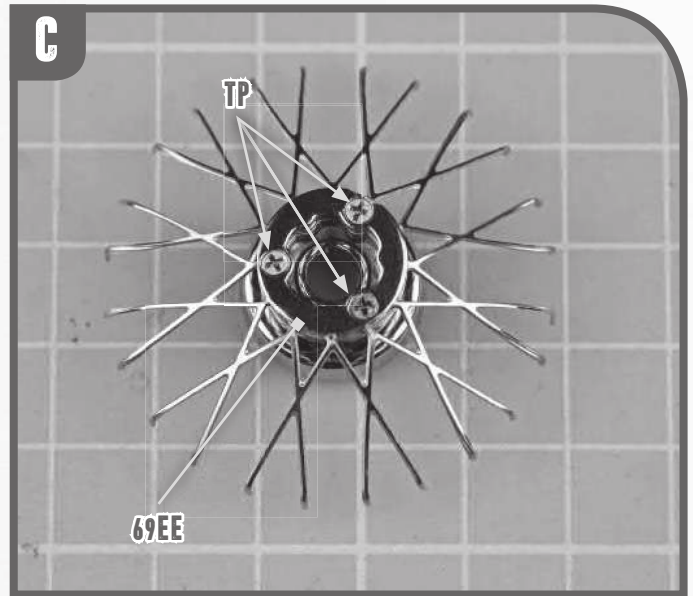
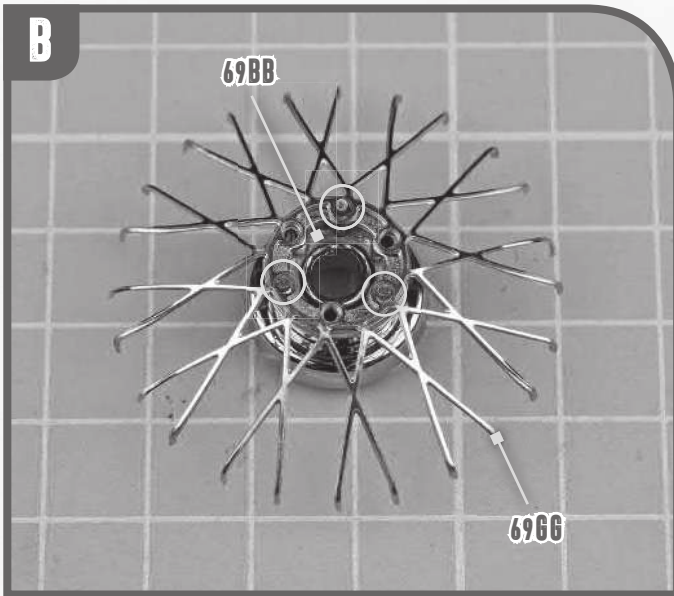
EASY ASSEMBLY



- 69AA** Central ring 1
- 69BB** Hub 1
- 69CC** Hub 2
- 69DD** Hub 3
- 69EE** Hub 4
- 69FF** Spokes 1

- 69GG** Spokes 2
- LP** 5 screws (1.5x3mm)
- TP** 4 screws (1.5x5mm)
- UP** 4 screws (1.7x4mm)



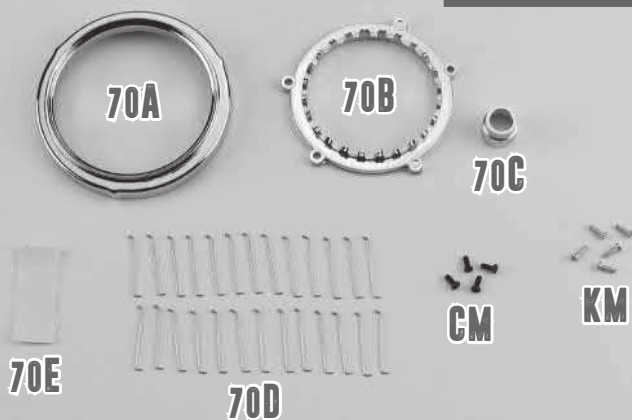


70 PARTS LIST

REGULAR ASSEMBLY

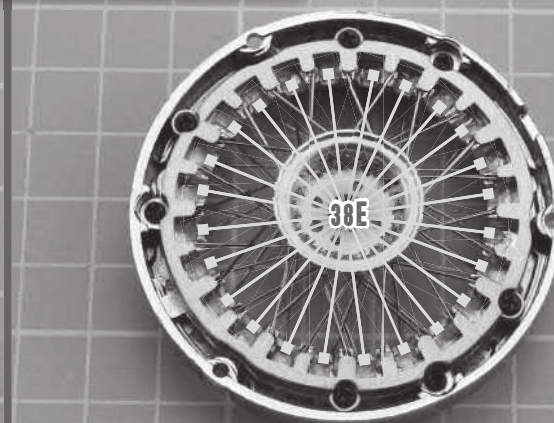
- 70A** Inner rim
- 70B** Central ring 3
- 70C** Hub 2
- 70D** Spokes 3
- 70E** Double-sided tape

- CM** 4 screws (1.7x4mm)
- KM** 5 screws (1.5x5mm)

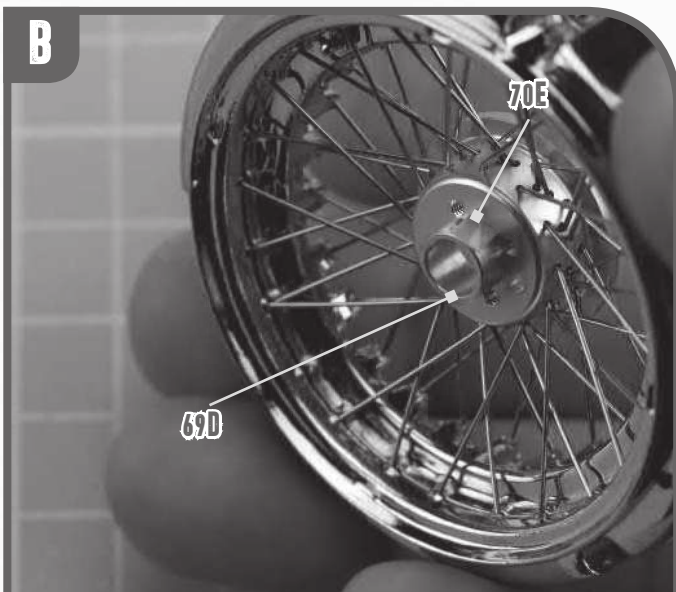


A

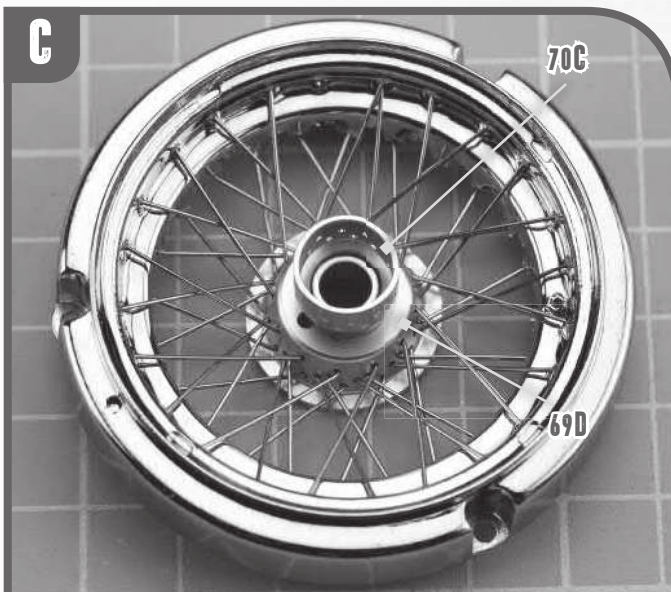
Apply 24 pieces of double-sided tape 70E to 69B's inner profile and tear off their top sheets.

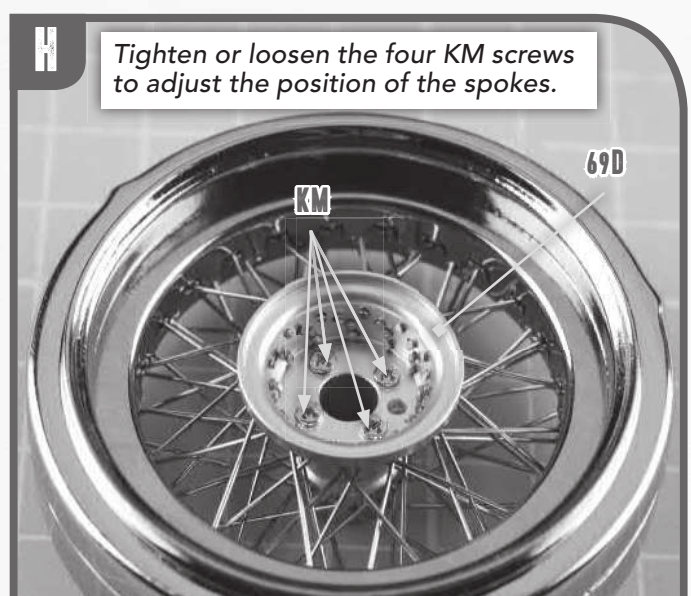
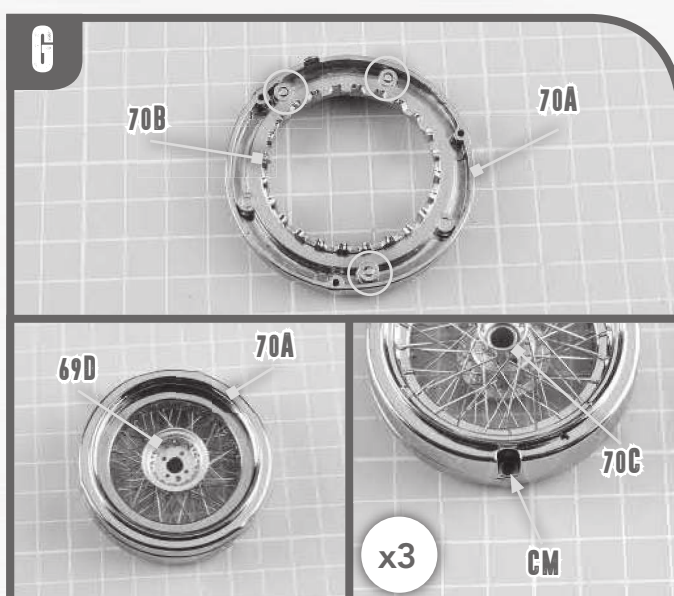
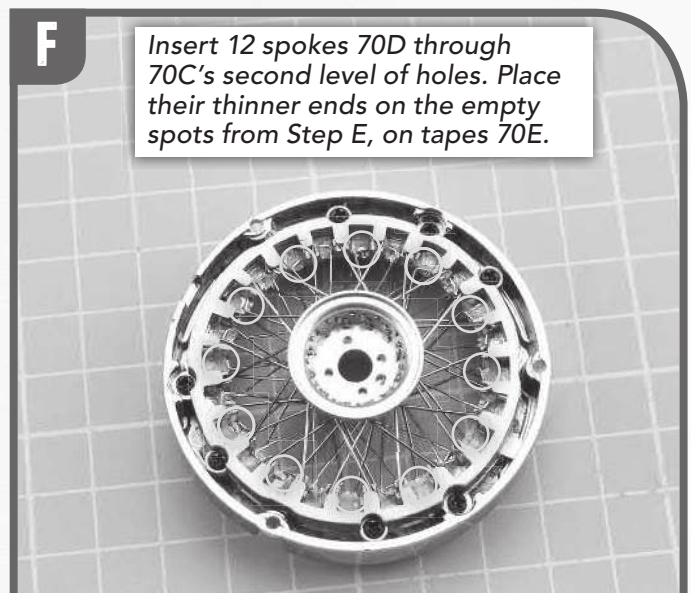
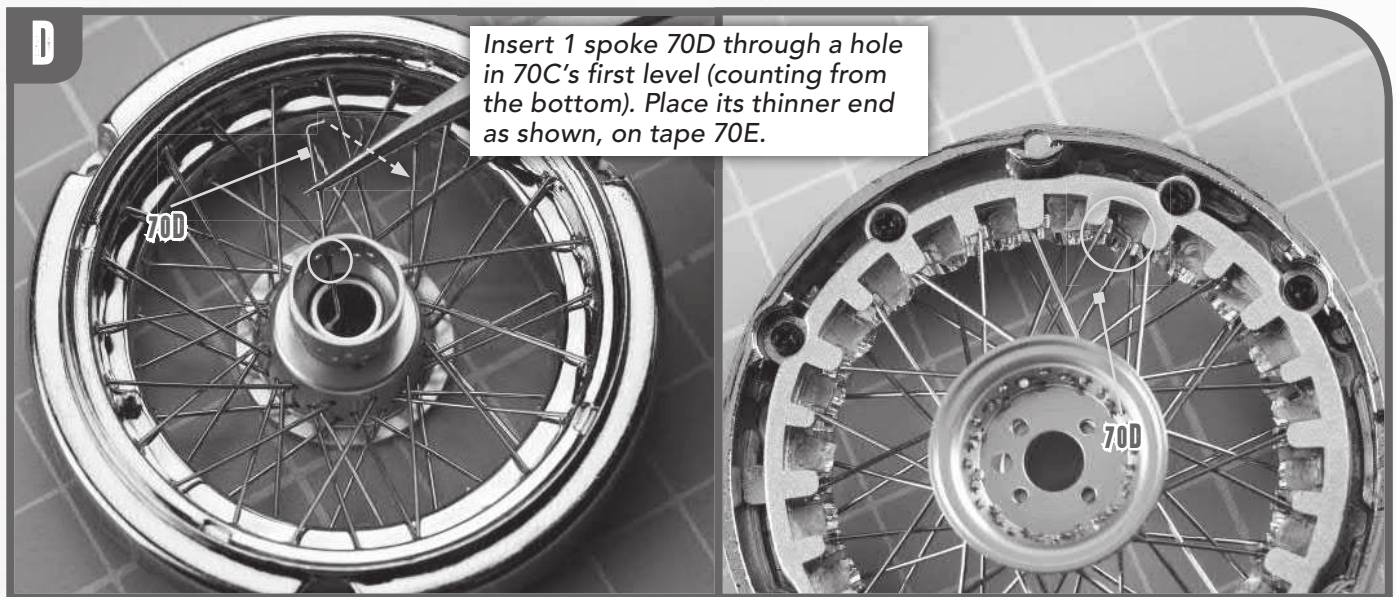


B



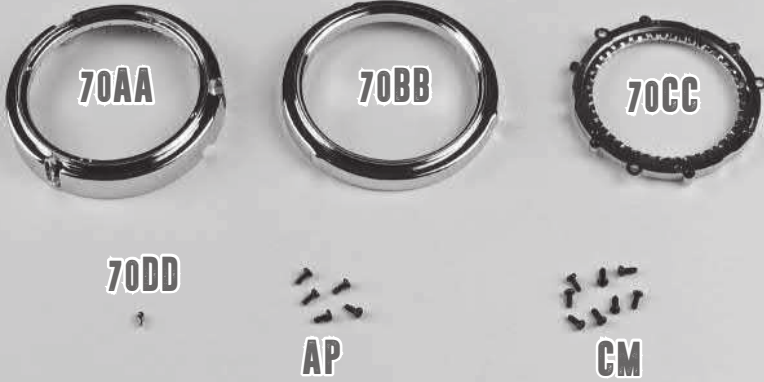
C





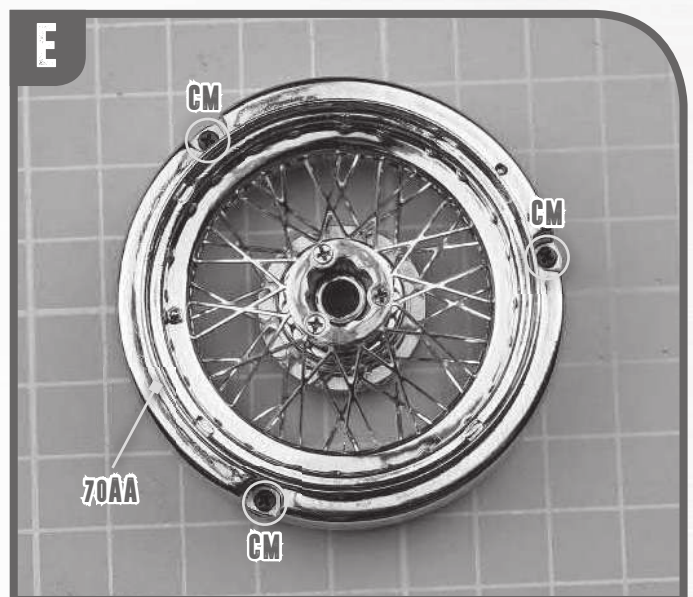
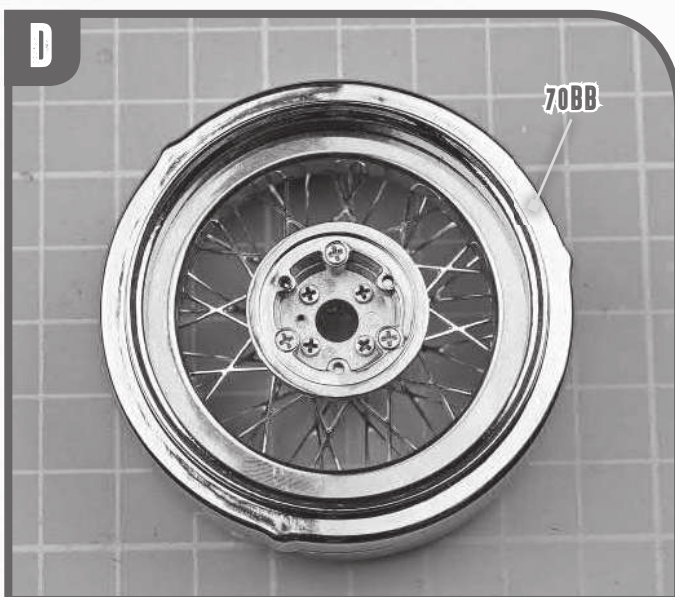
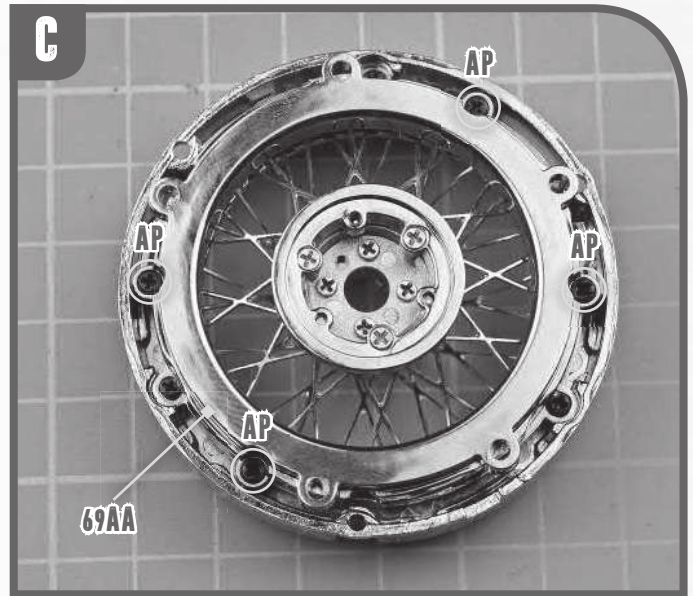
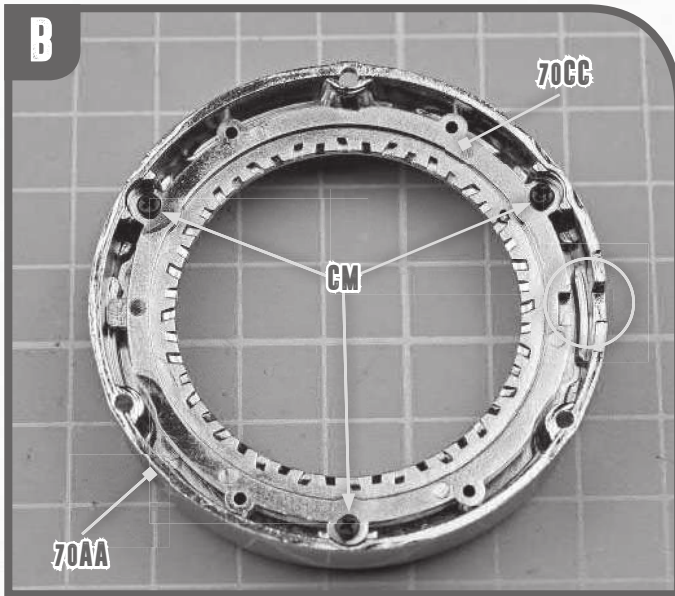
70B PARTS LIST

EASY ASSEMBLY



- 70AA** Outer rim
- 70BB** Inner rim
- 70CC** Central ring 2
- 70DD** Inflation valve

- AP** 5 screws (1.7x4mm)
- CM** 8 screws (1.7x4mm)



71 PARTS LIST

REGULAR ASSEMBLY

- 71A** Tyre
- 71B** Hub 3
- 71C** Hubcap
- 71D** Washer ring
- JM** 2 screws (2x5mm)

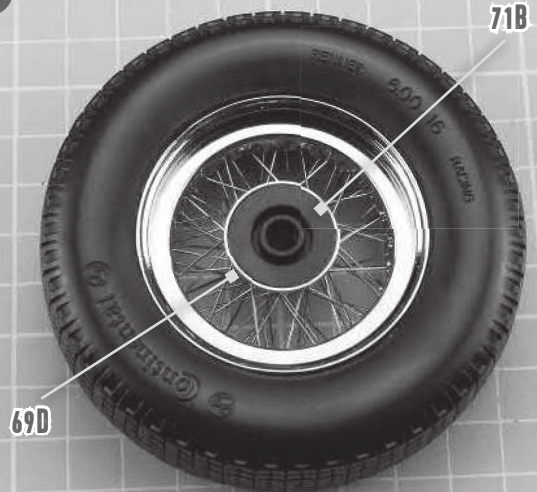


A

Soften tyre 71A by placing it in a bowl full of hot water.

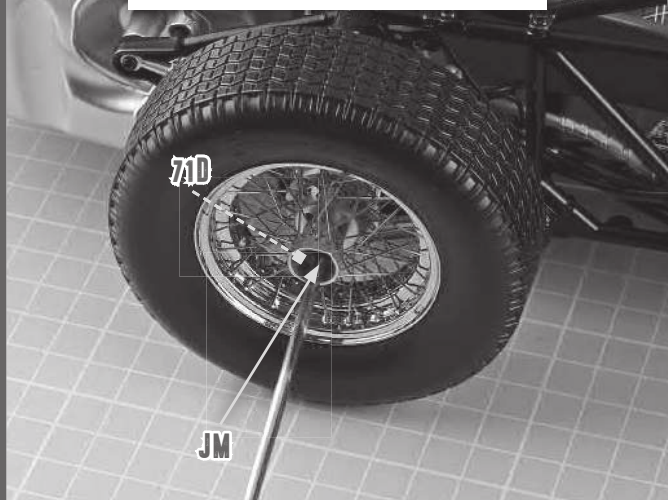


B



C

Attach wheel to rear suspension right wishbone 28A



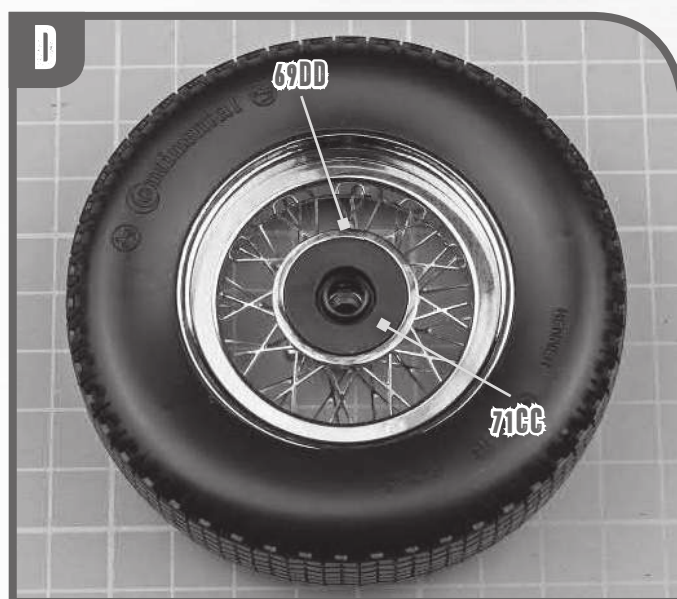
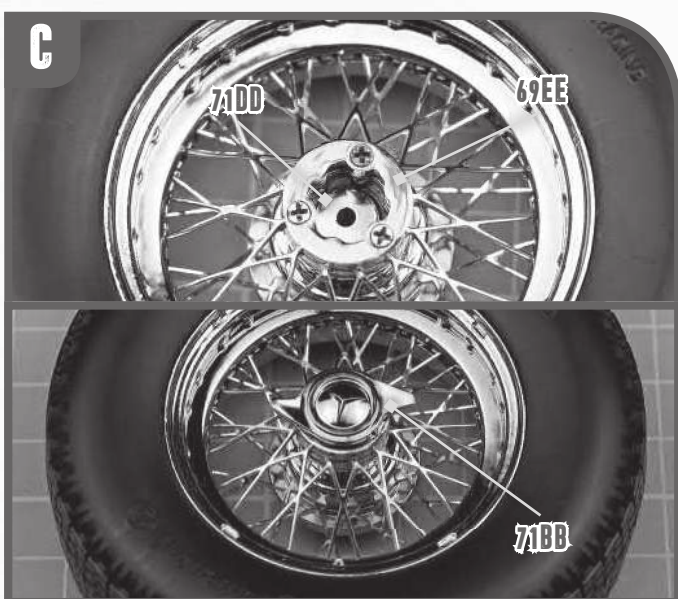
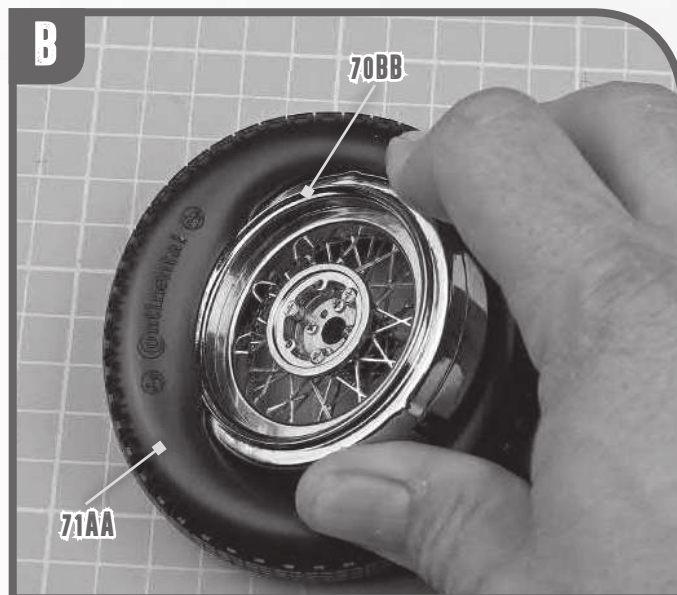
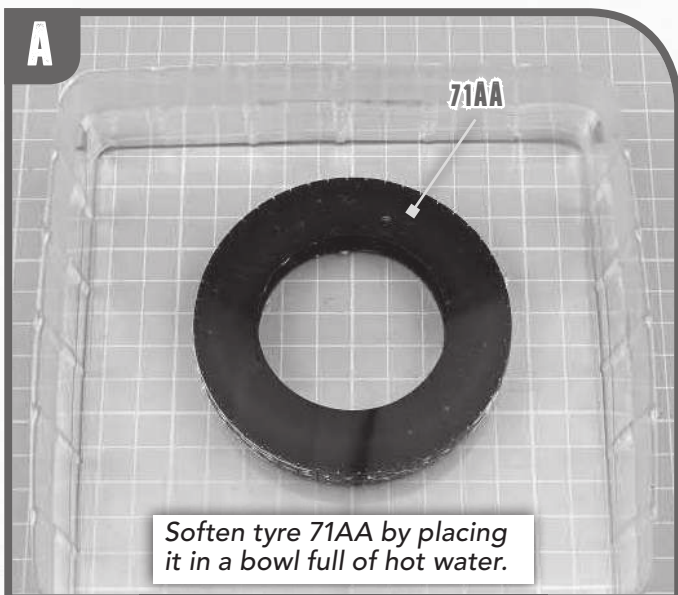
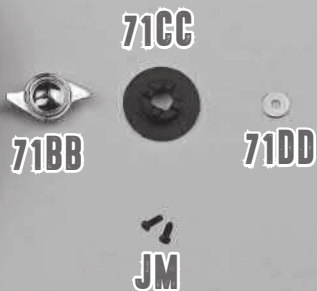
D



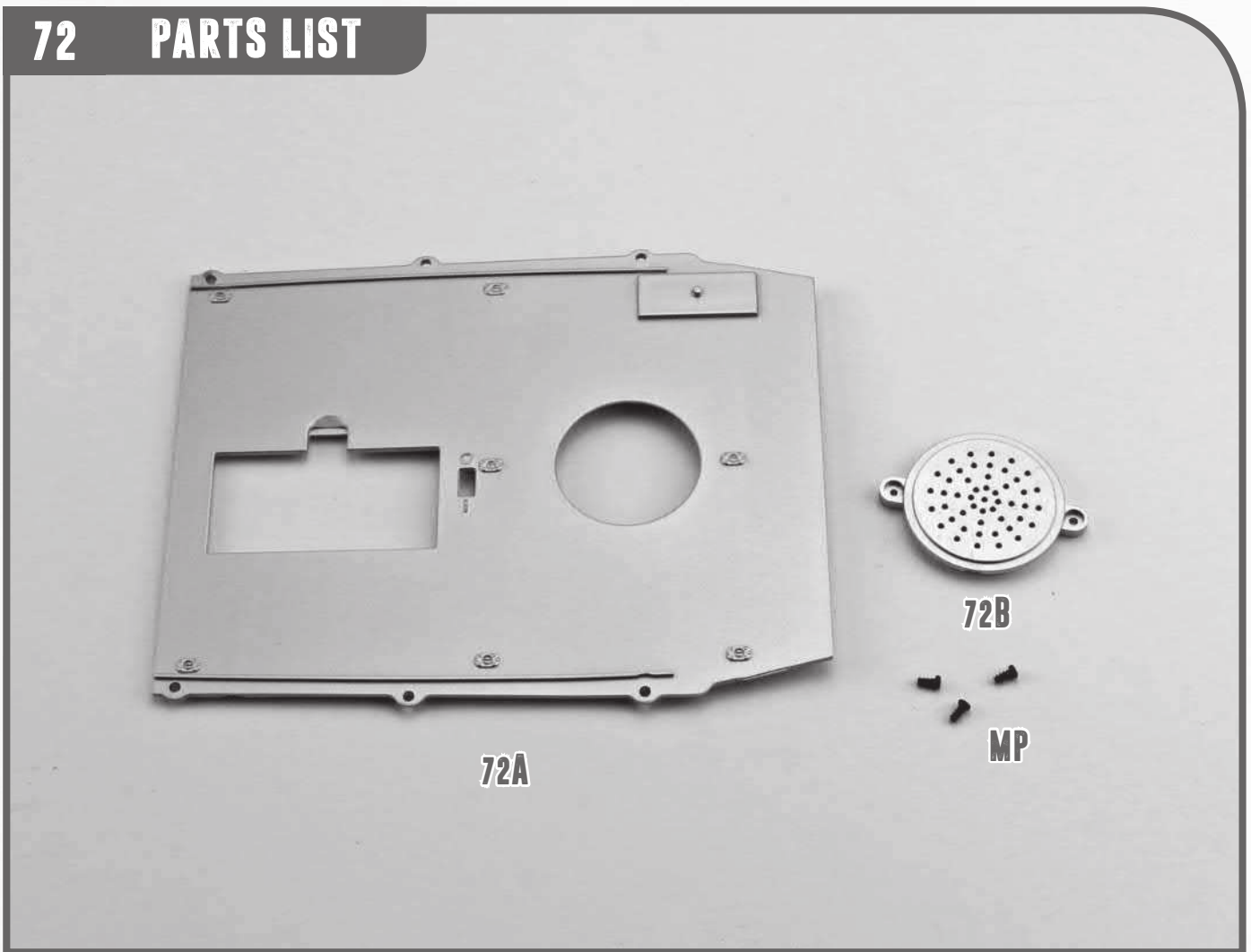
71B PARTS LIST

EASY ASSEMBLY

- 71AA** Tyre
- 71BB** Hubcap
- 71CC** Hub 5
- 71DD** Washer ring
- JM** 2 screws (2x5mm)

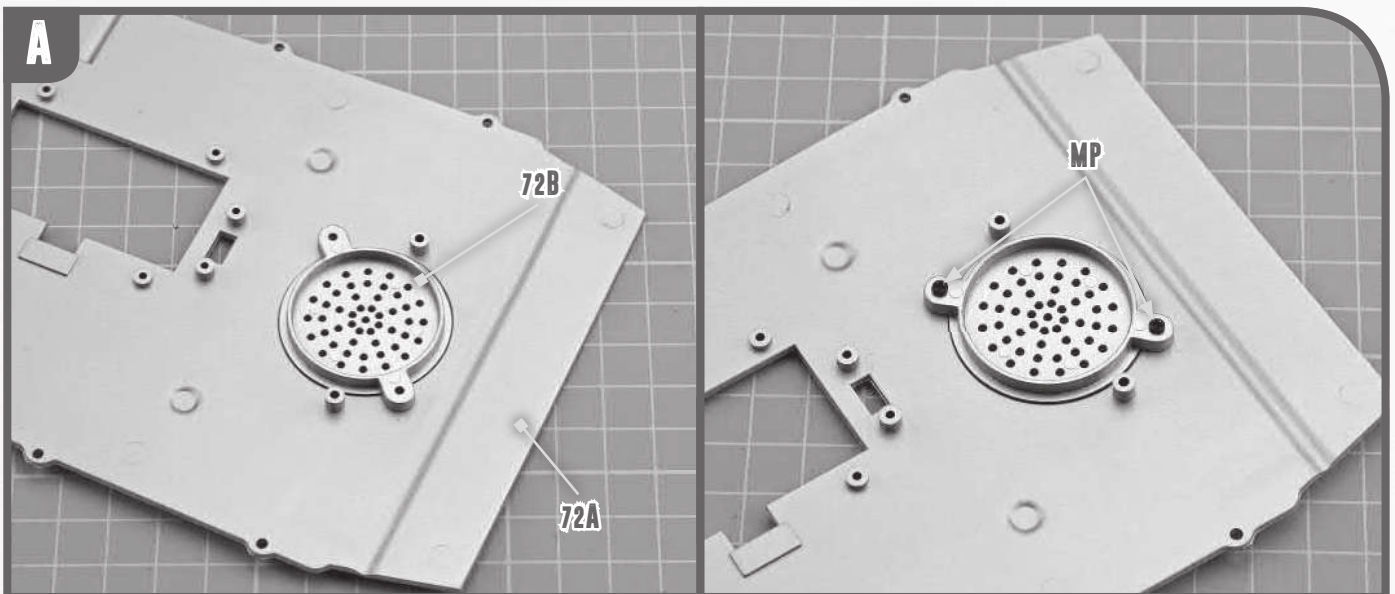


72 PARTS LIST



72A Bottom floor panel
72B Speaker cover

MP 3 screws (2x3mm)

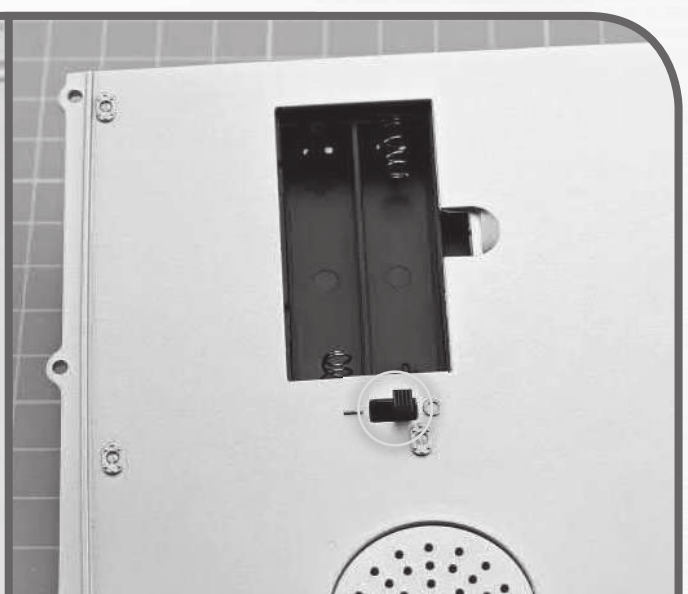
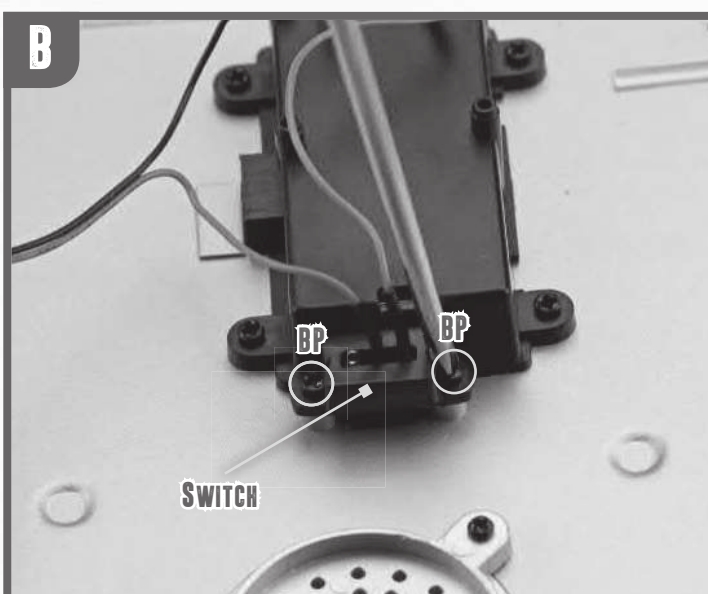
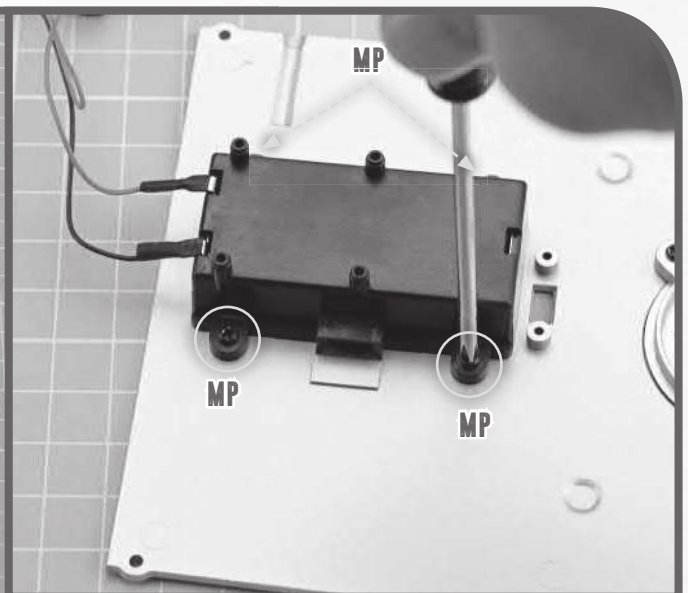
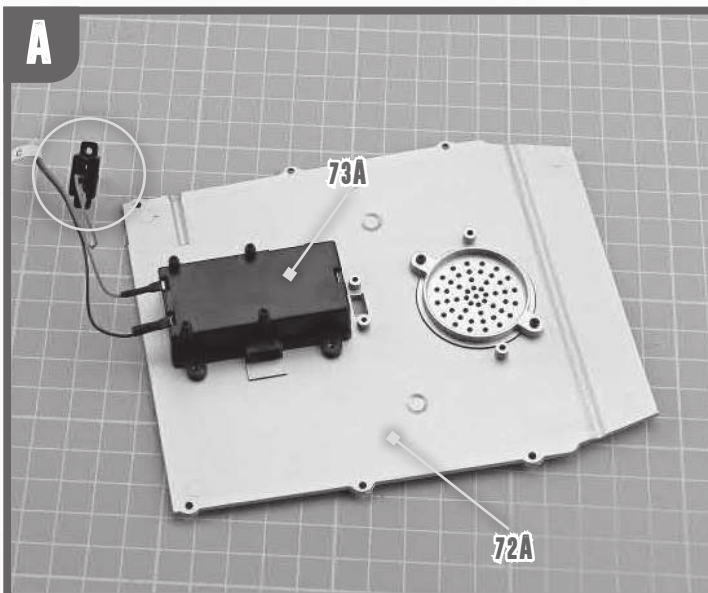
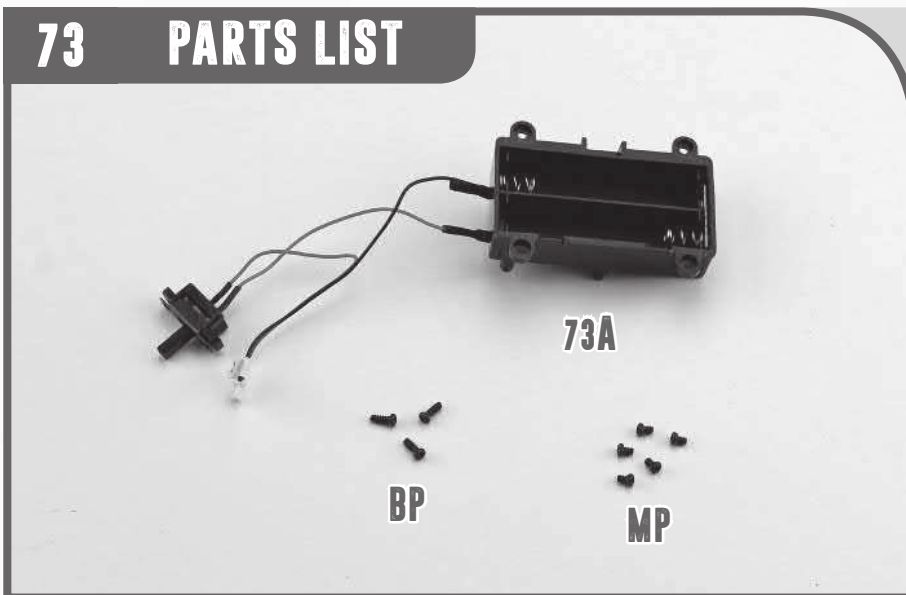


73 PARTS LIST

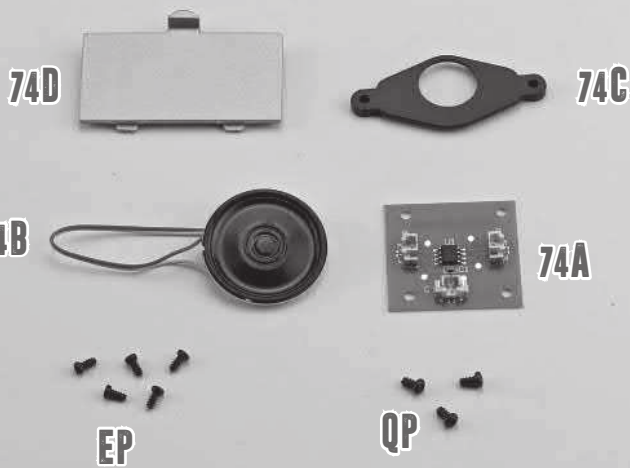
73A Battery compartment with switch

BP 3 screws (2x5mm)

MP 5 screws (2x3mm)

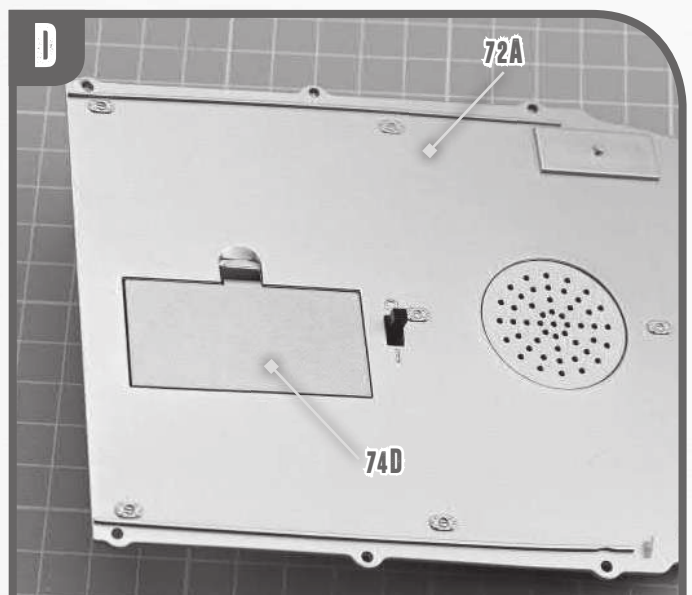
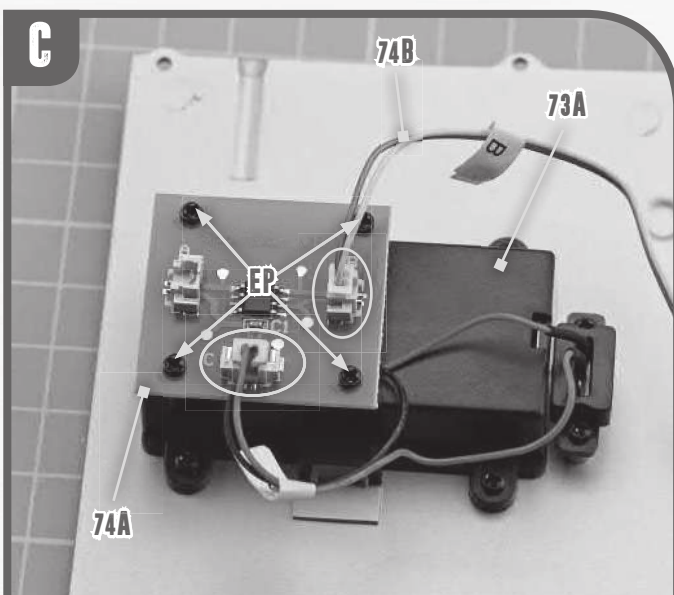
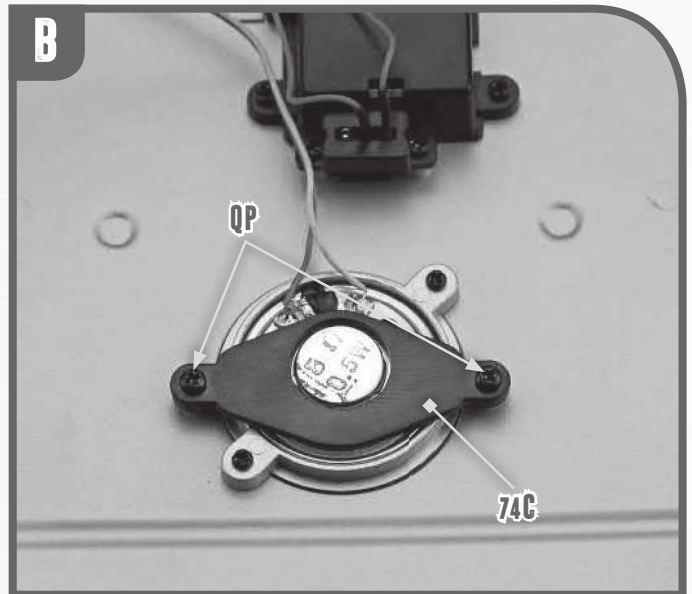
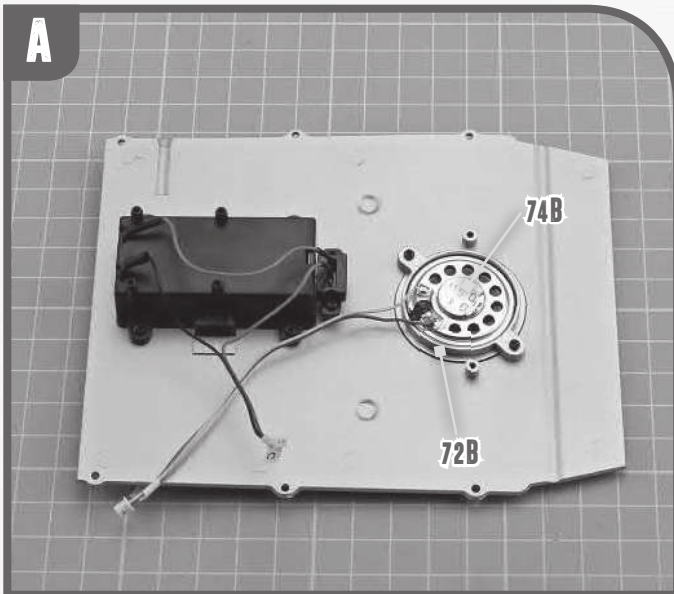


74 PARTS LIST



74A PCB
 74B Speaker
 74C Speaker support
 74D Battery compartment cover

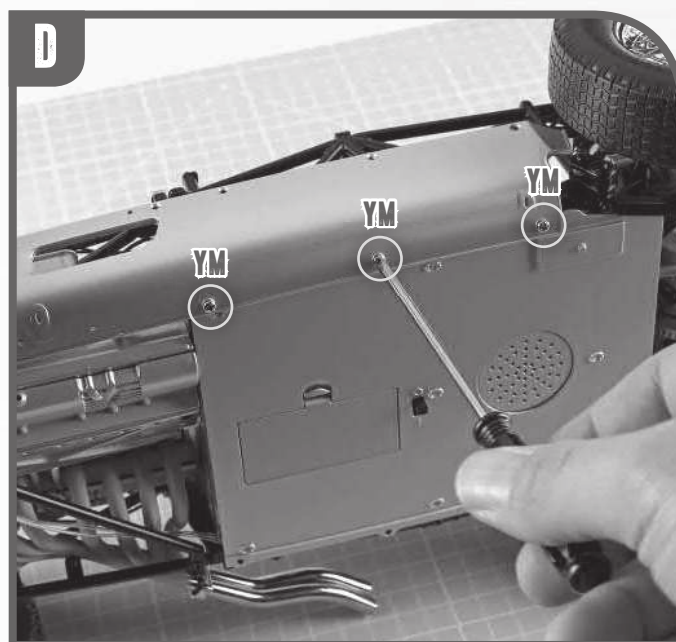
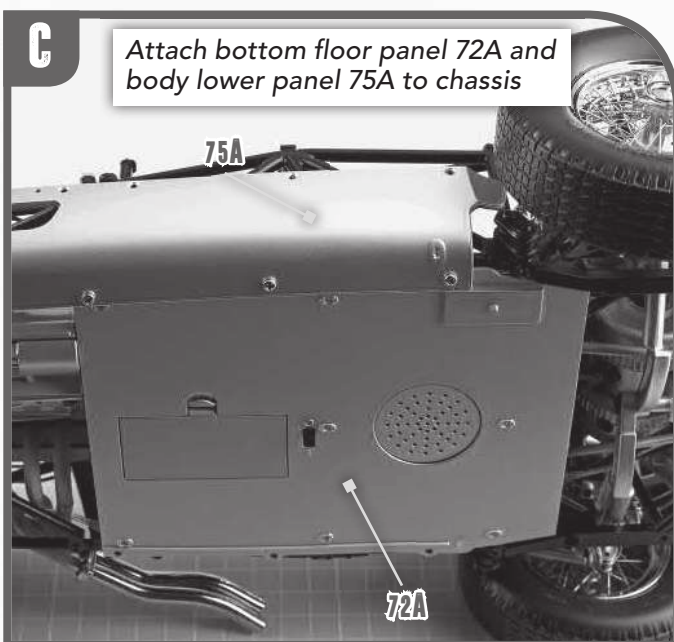
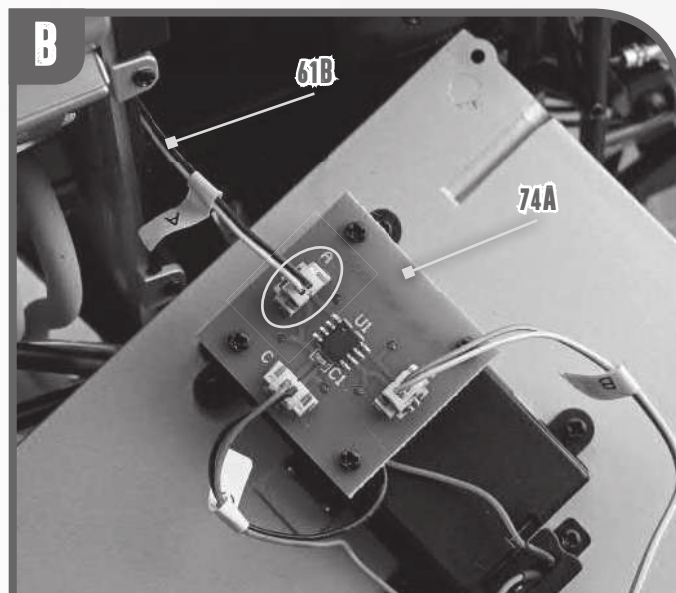
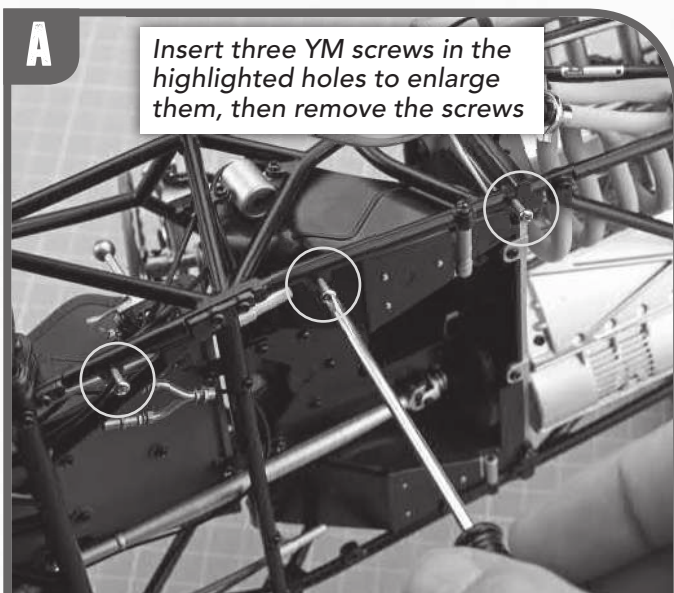
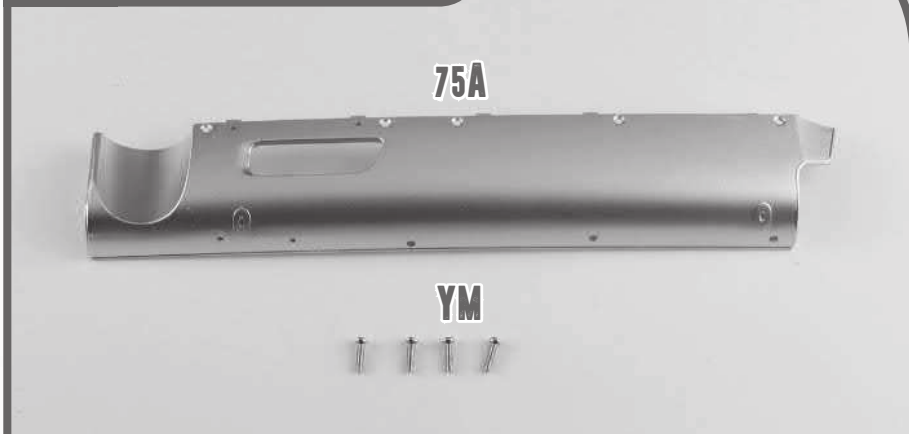
EP 5 screws (2x4mm)
 QP 3 screws (2.3x4mm)



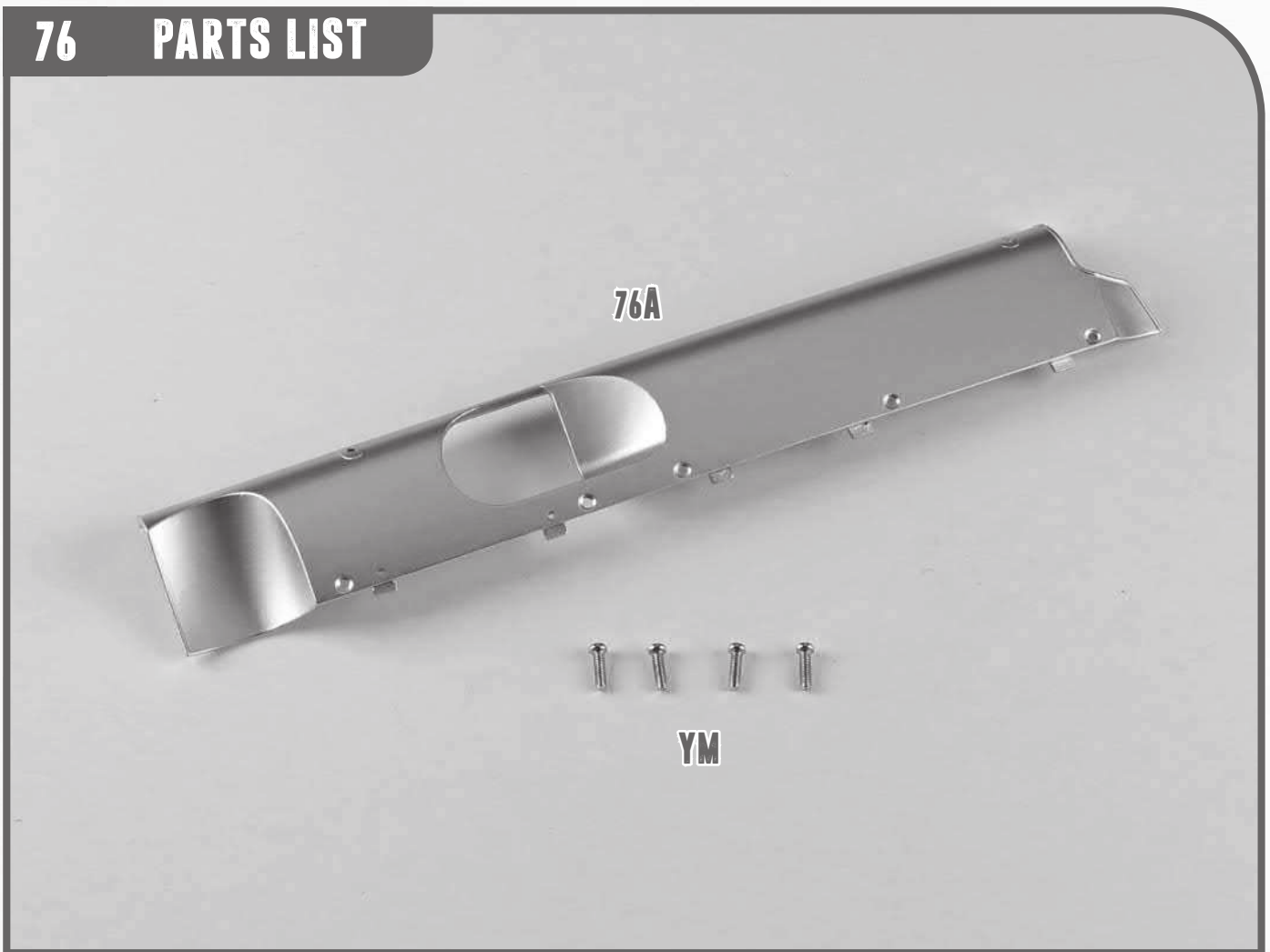
75 PARTS LIST

75A Body lower panel (L)

YM 4 screws (2.3x8mm)

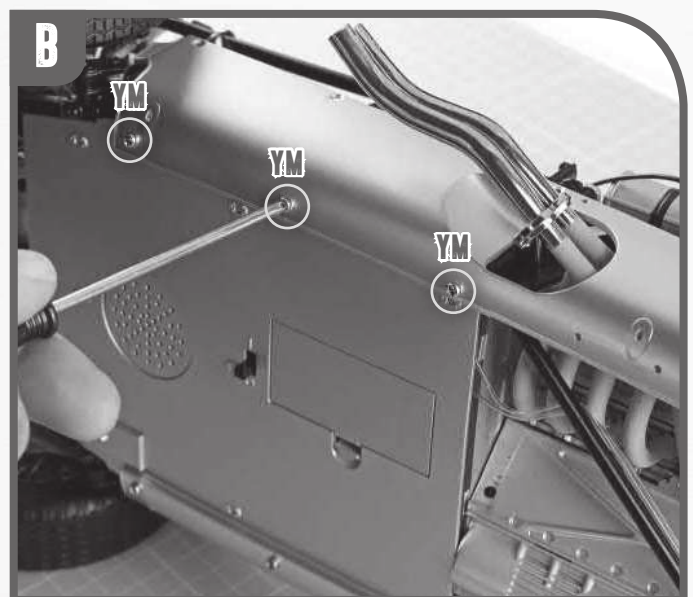
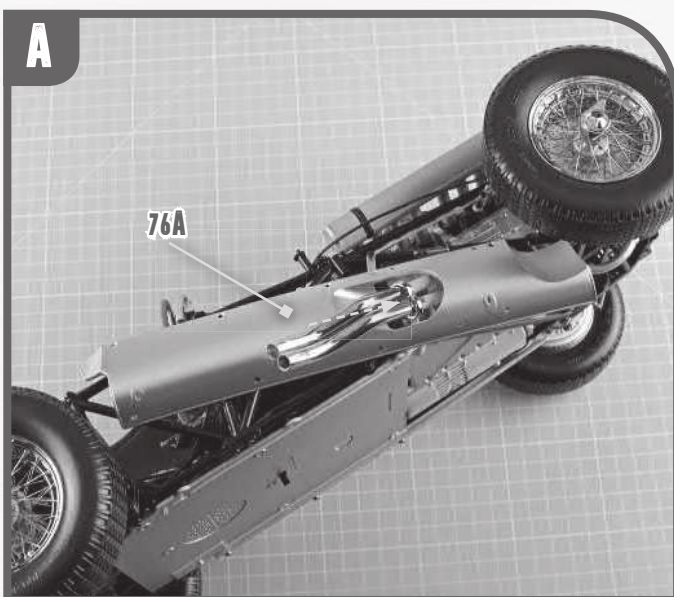


76 PARTS LIST

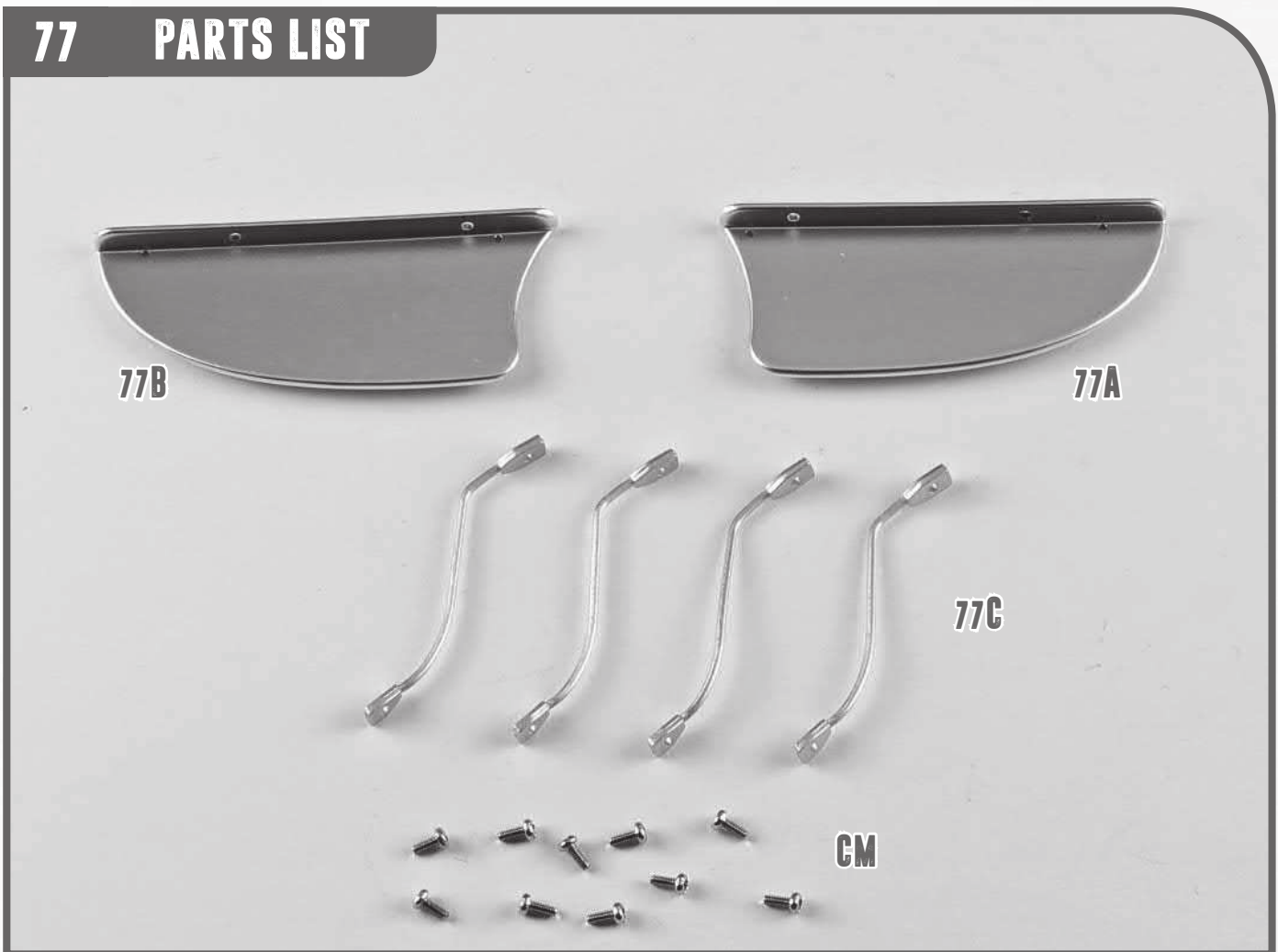


76A Body lower panel (R)

YM 4 screws (2.3x8mm)



77 PARTS LIST

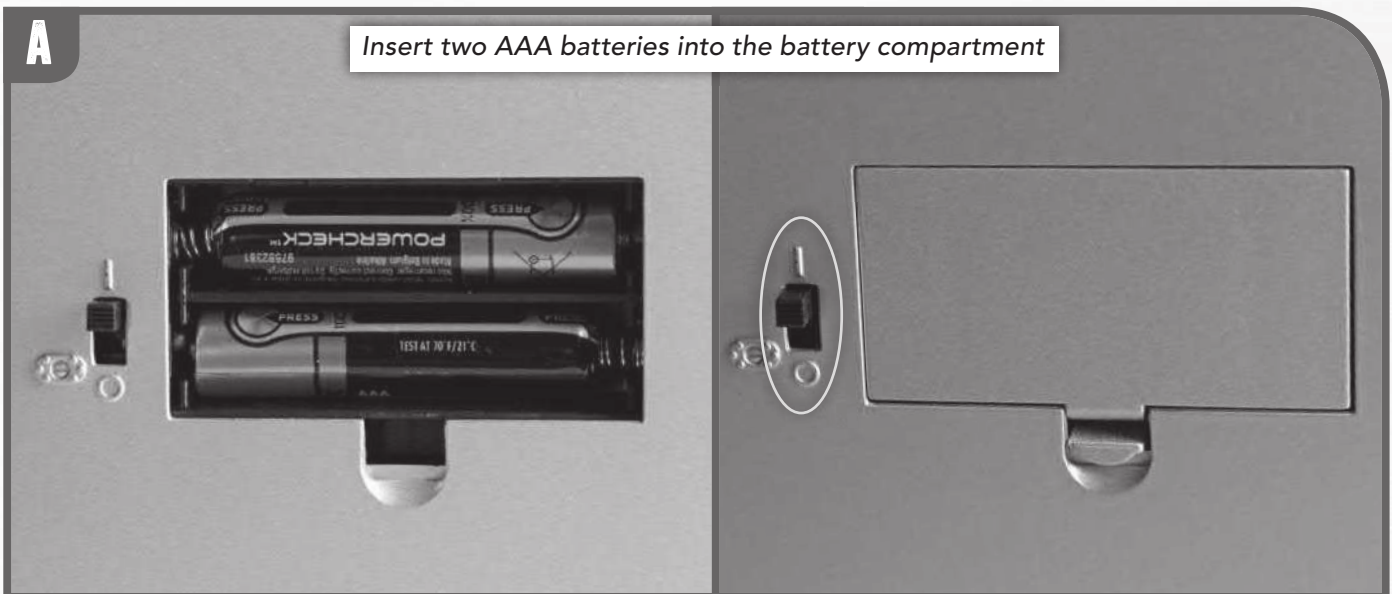


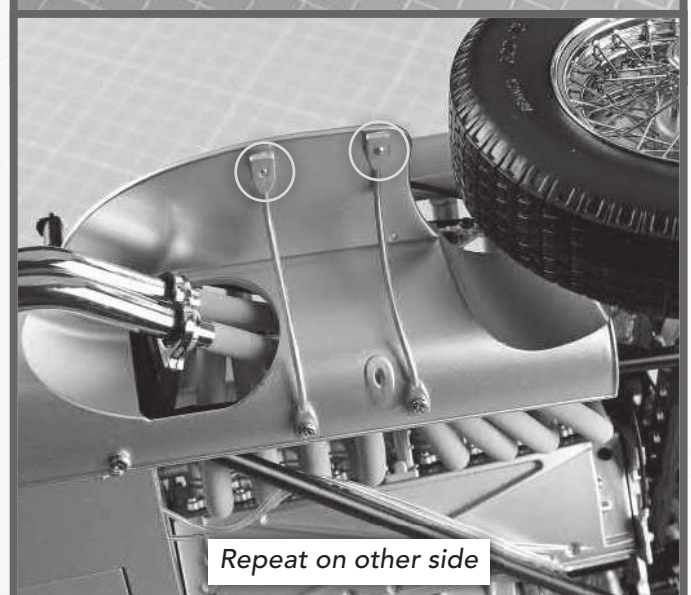
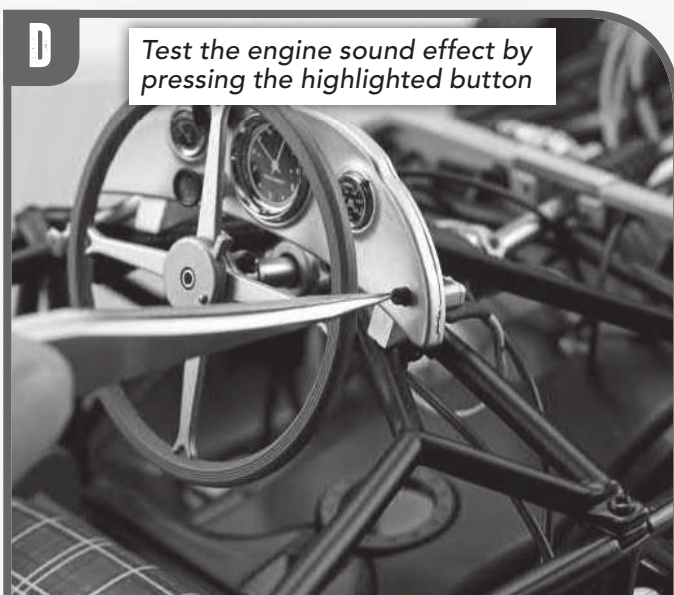
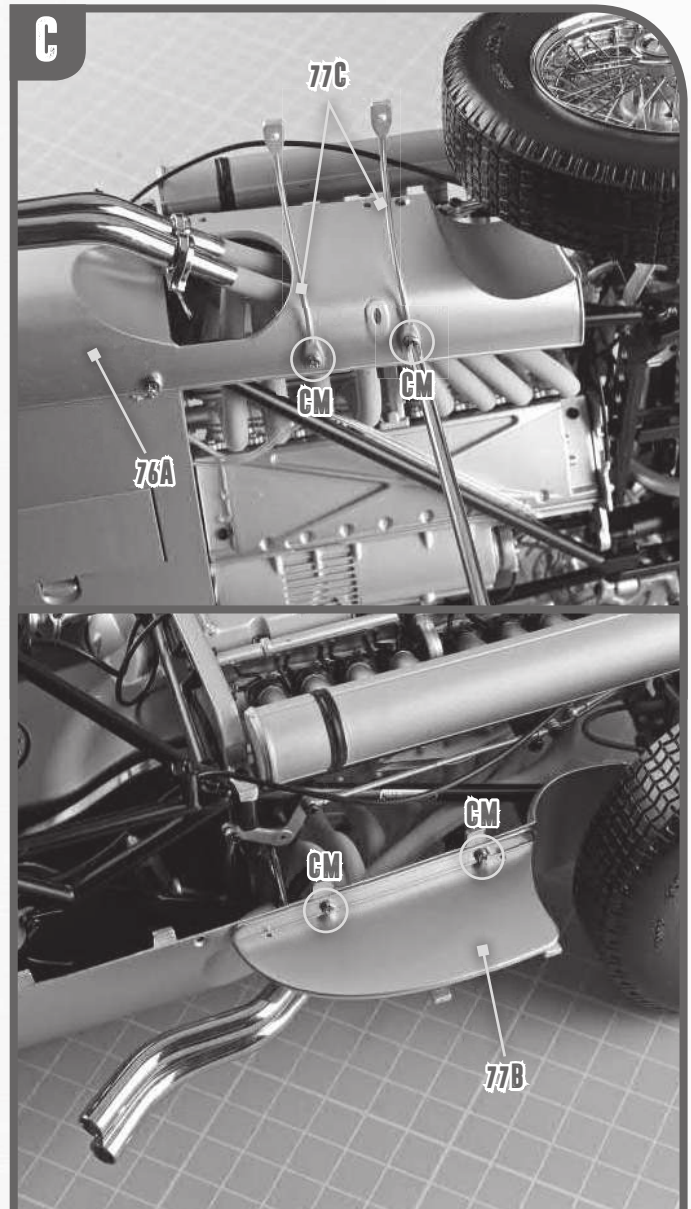
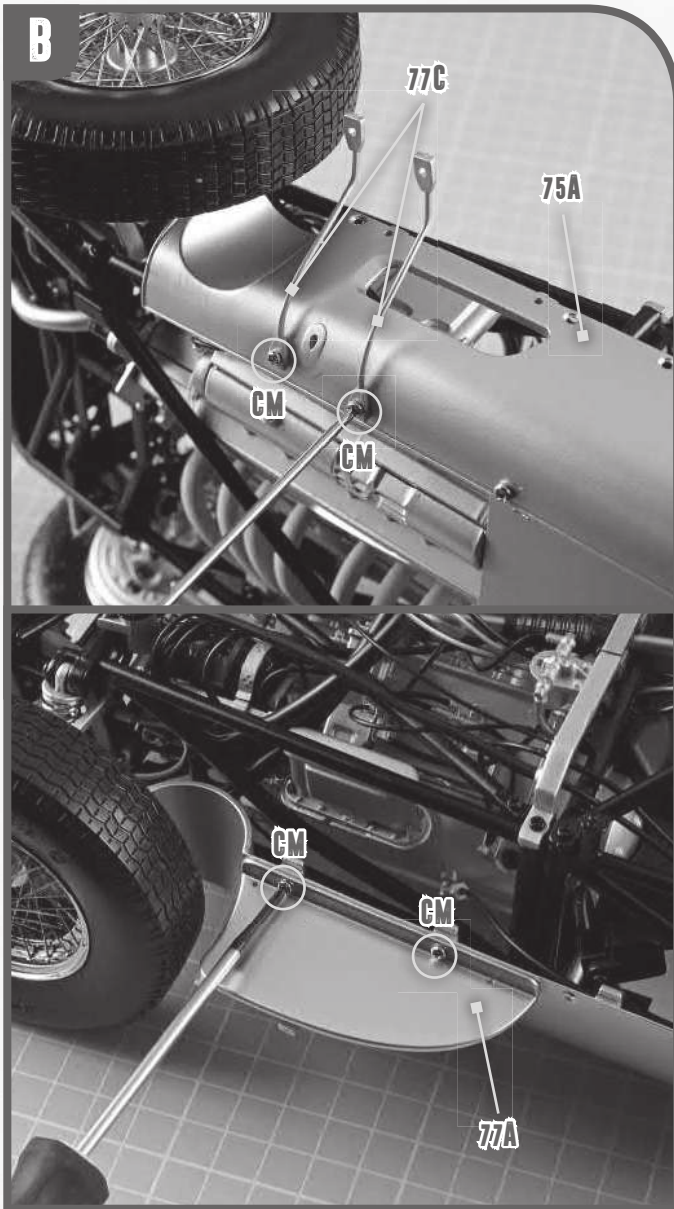
- 77A** Mudguard 1 (L)
- 77B** Mudguard 2 (R)
- 77C** Stretchers (x4)

CM 10 screws (1.7x4mm)

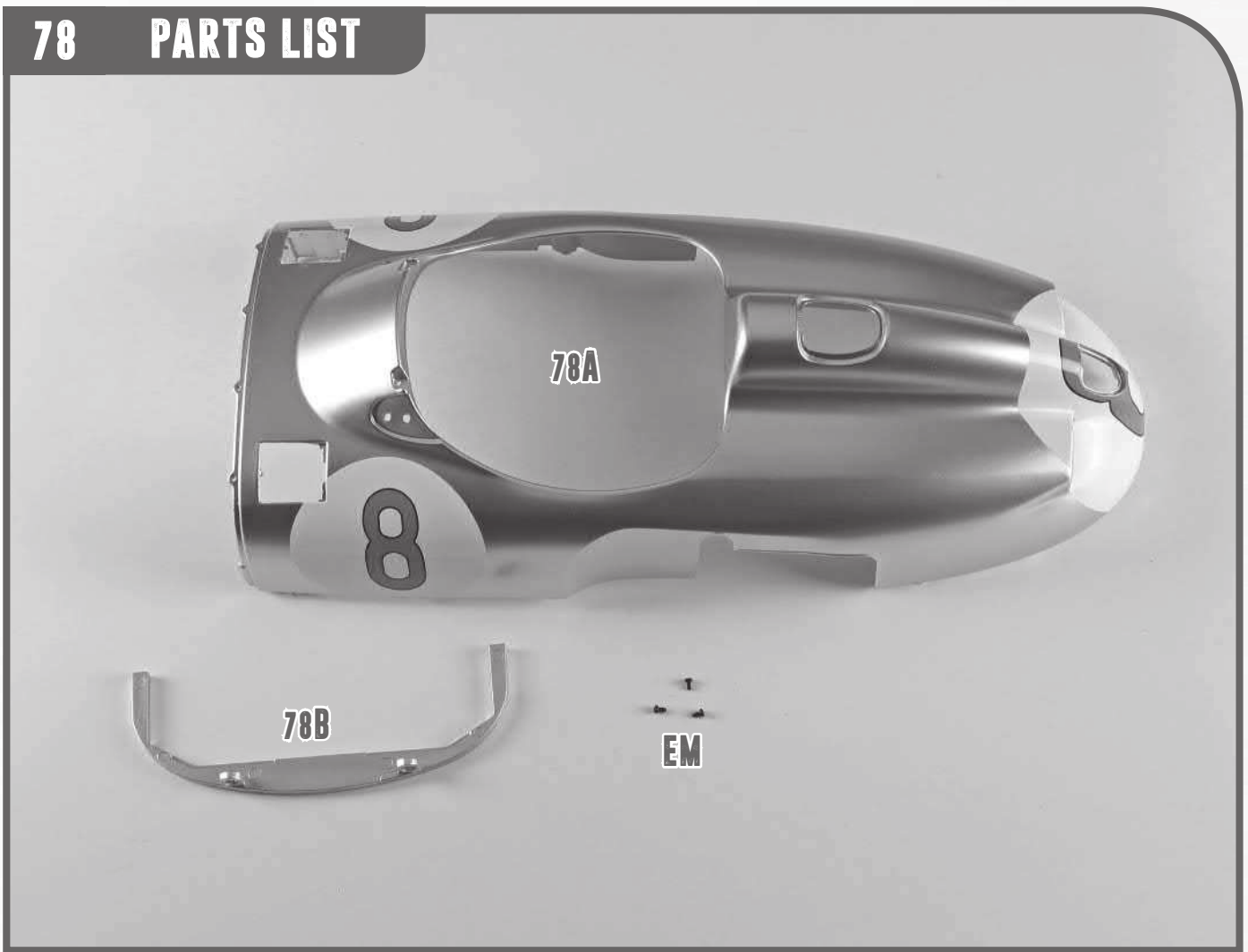
A

Insert two AAA batteries into the battery compartment



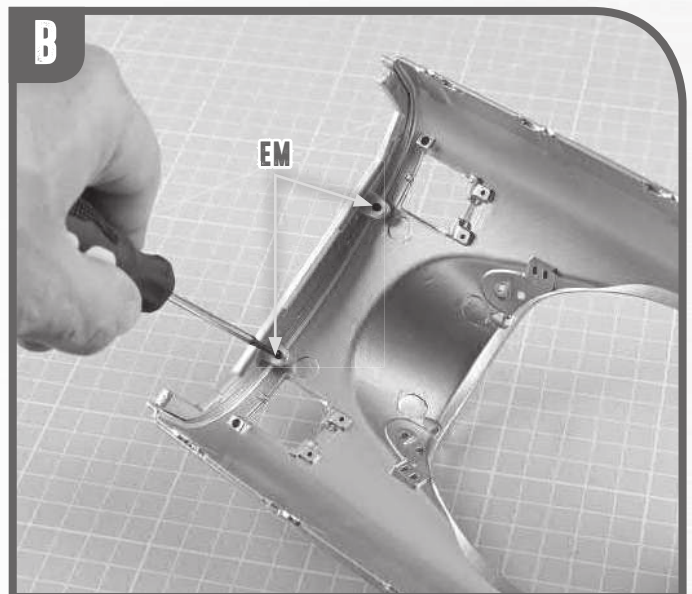
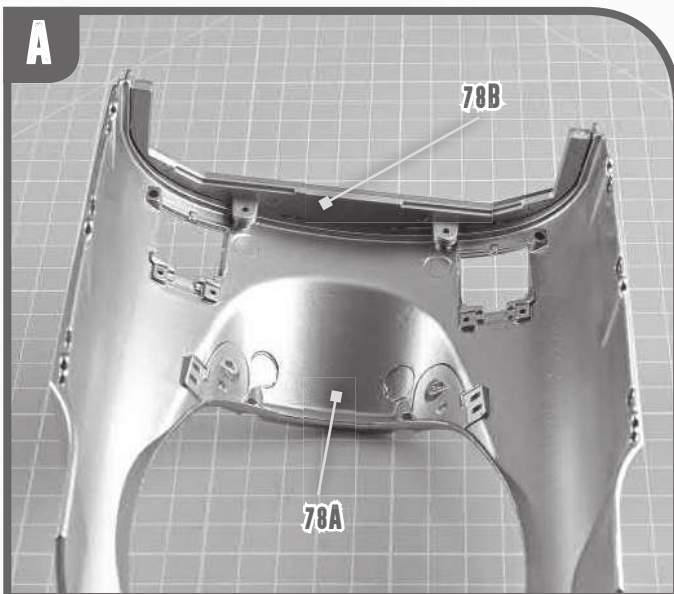


78 PARTS LIST

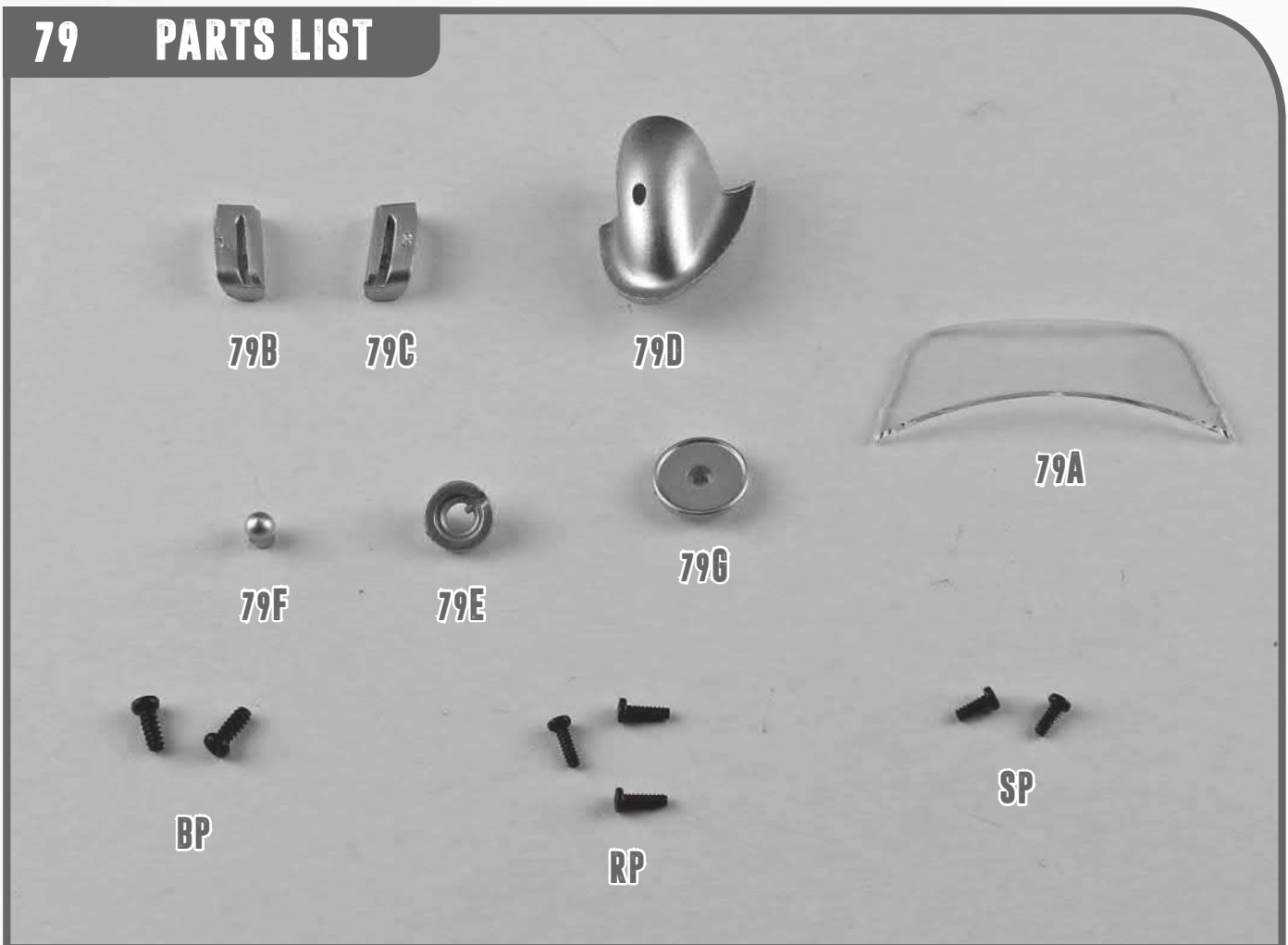


78A Body rear panel
78B Panel support

EM 3 screws (1.5x3mm)



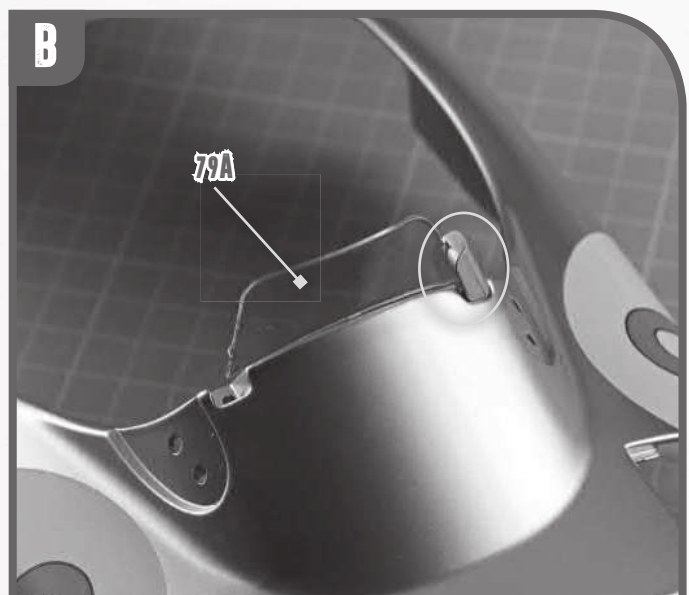
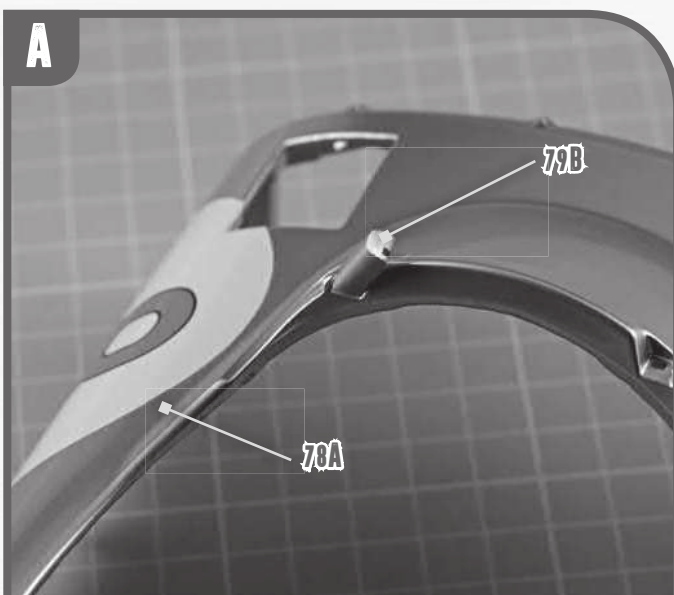
79 PARTS LIST

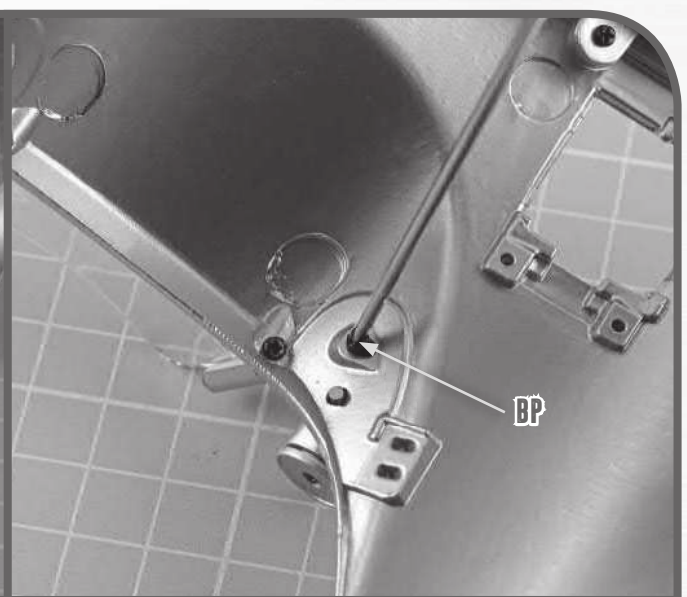
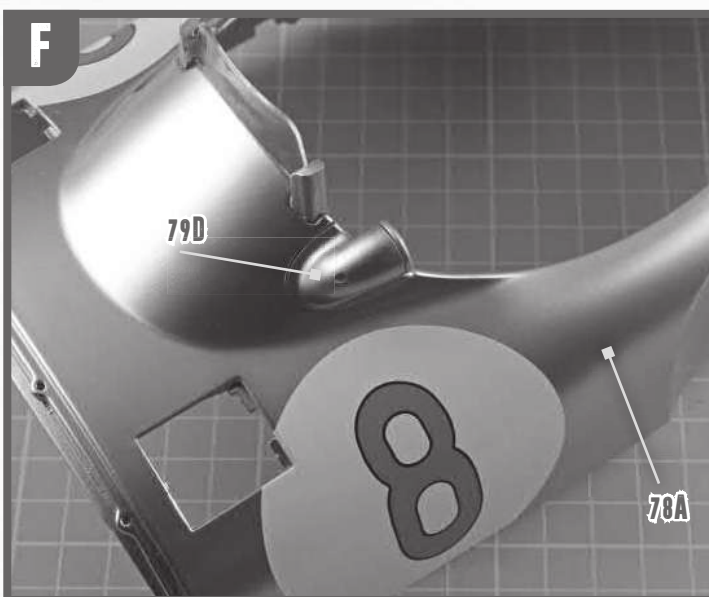
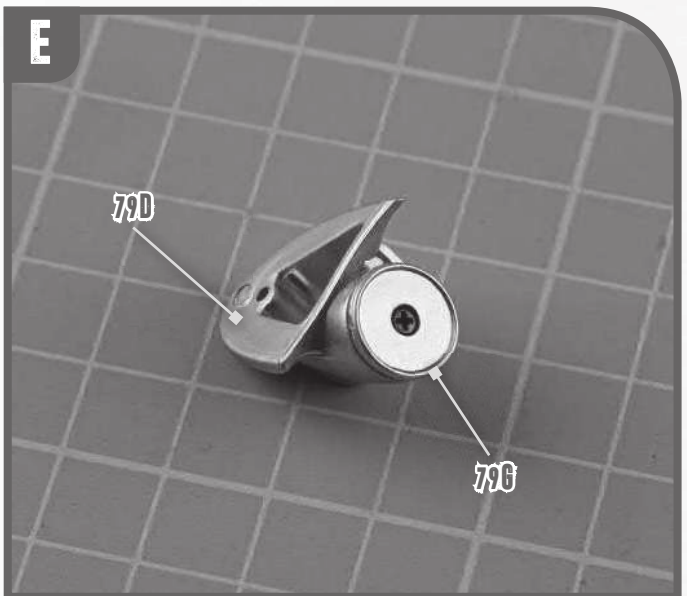
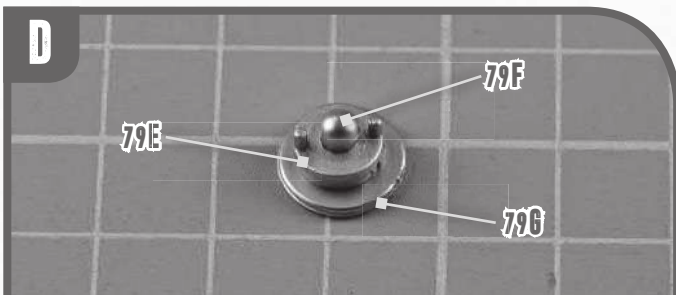
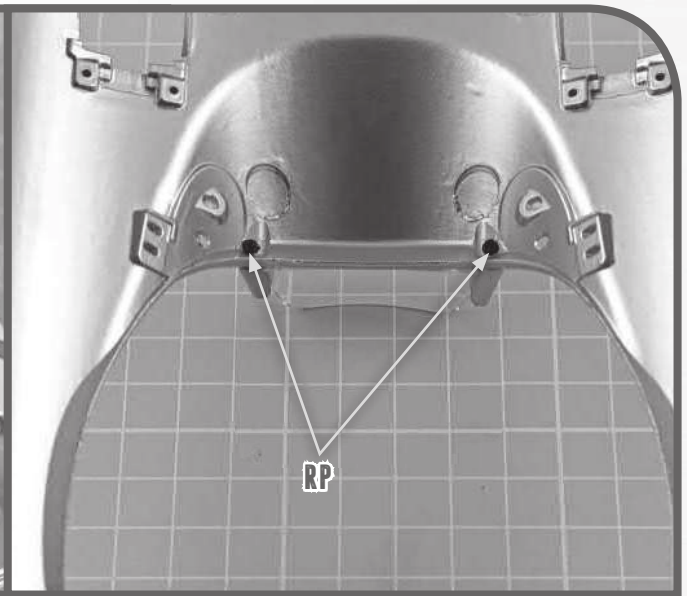
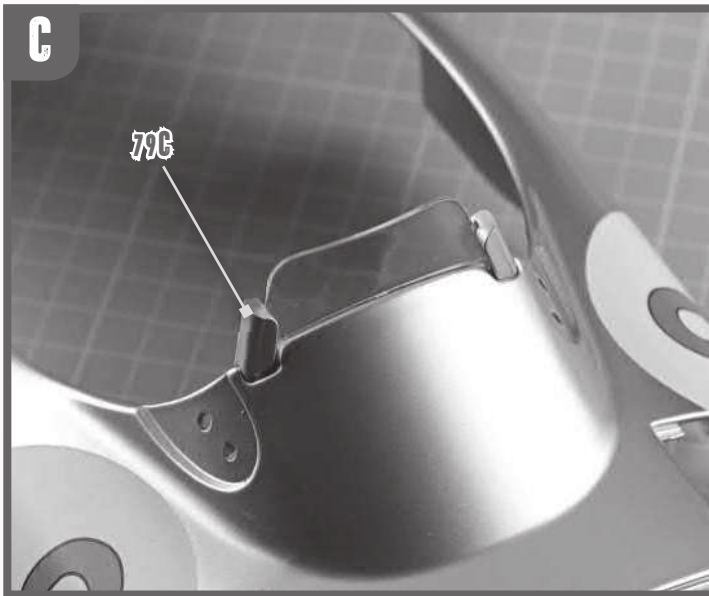


- 79A** Windscreen
- 79B** Windscreen support 1 (L)
- 79C** Windscreen support 2 (R)
- 79D** Left side-view mirror body

- 79E** Mirror support 1
- 79F** Mirror support 2
- 79G** Mirror base

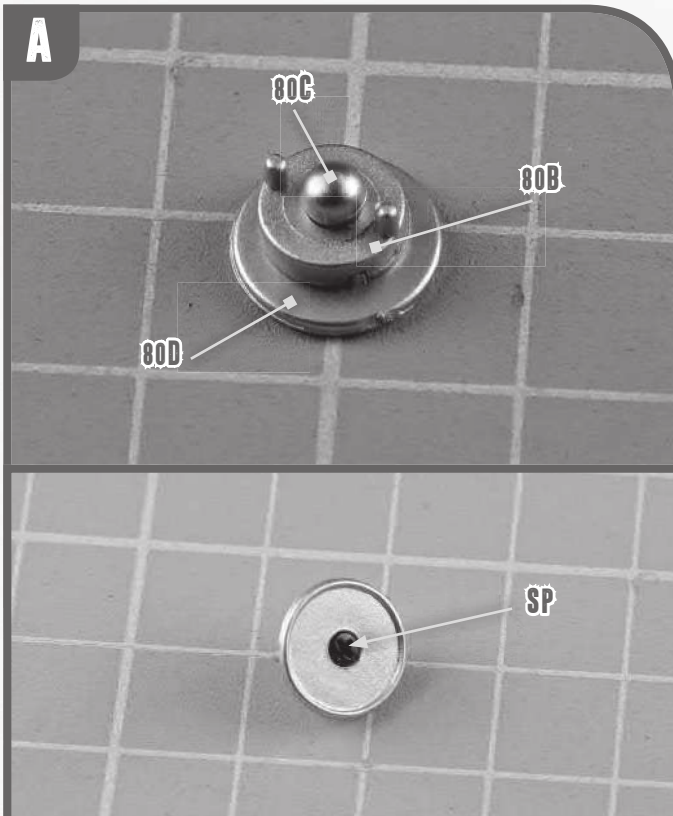
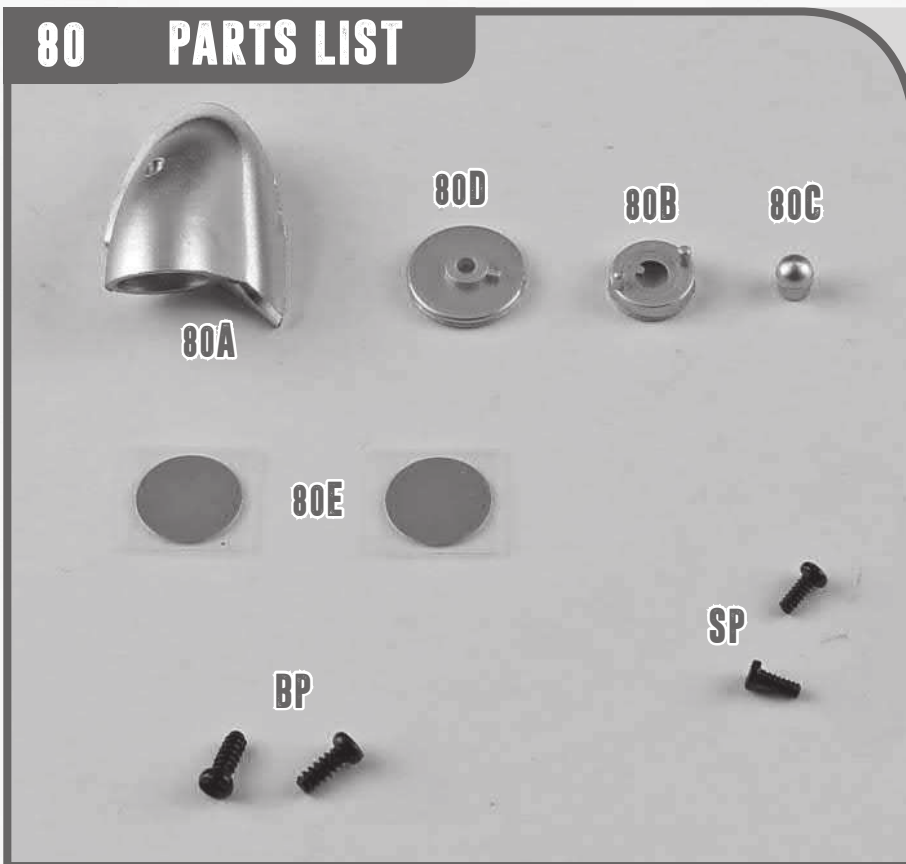
- BP** 2 screws (2x5mm)
- RP** 3 screws (1.5x5mm)
- SP** 2 screws (1.5x4mm)



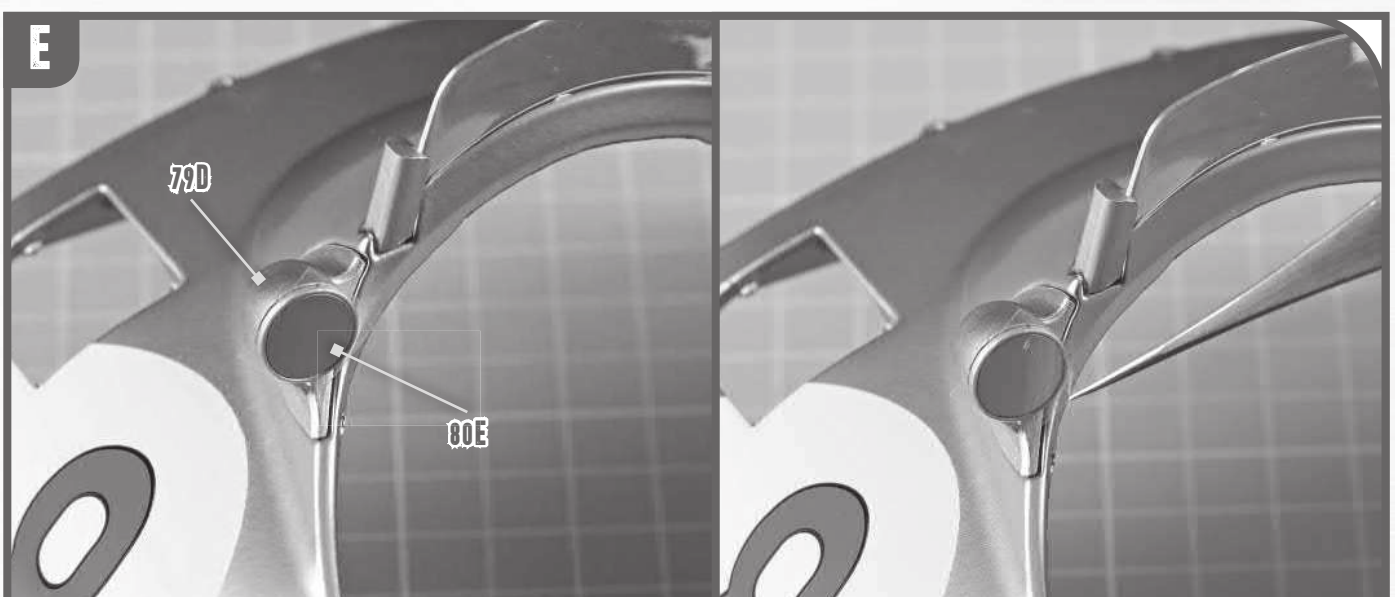
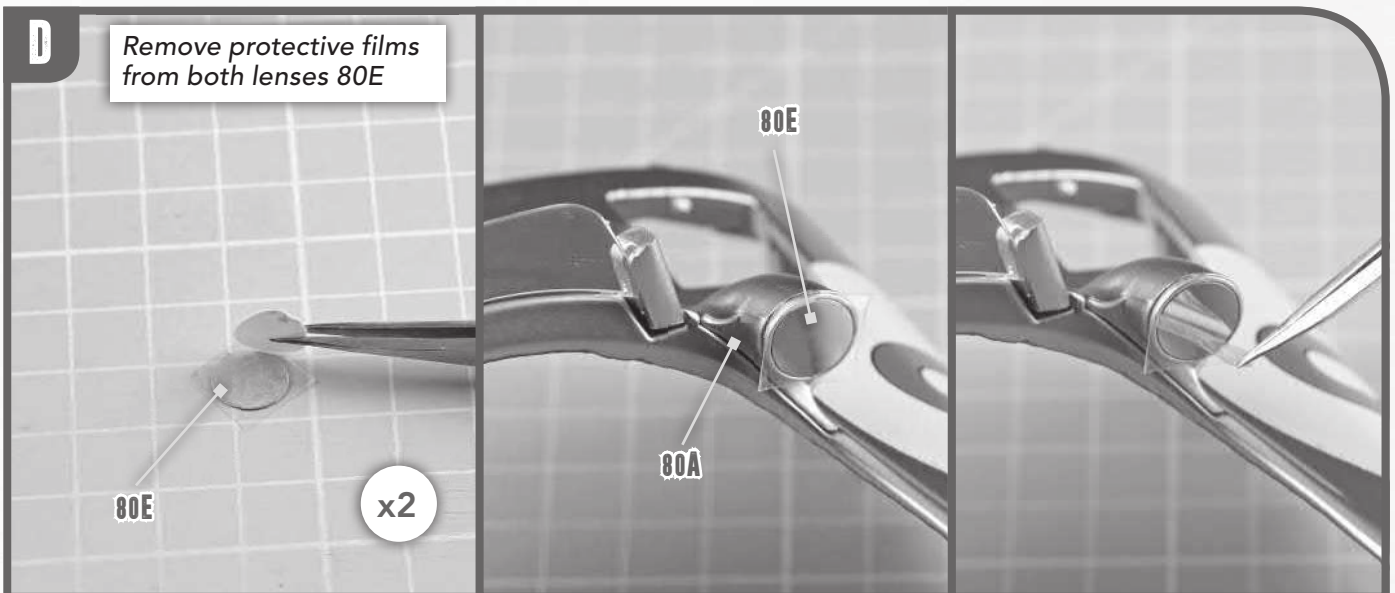
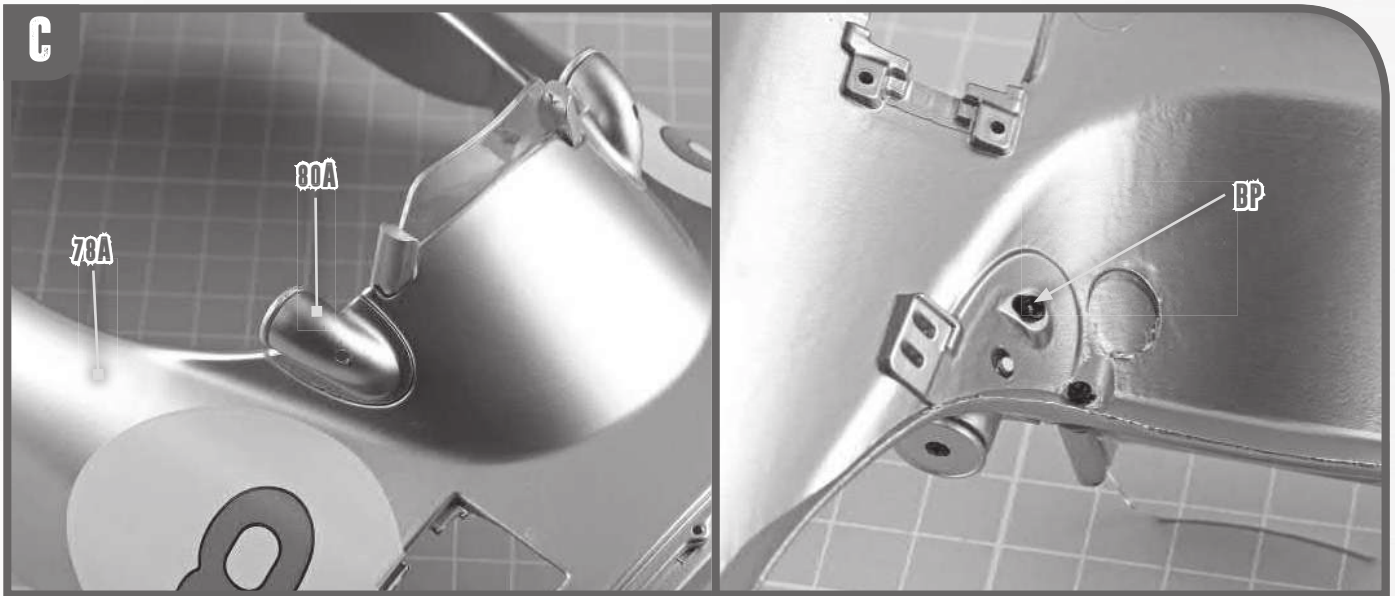


80 PARTS LIST

- 80A** Right side-view mirror body
- 80B** Mirror support 1
- 80C** Mirror support 2
- 80D** Mirror base
- 80E** Side-view mirrors lenses (x2)
- BP** 2 screws (2x5mm)
- SP** 2 screws (1.5x4mm)



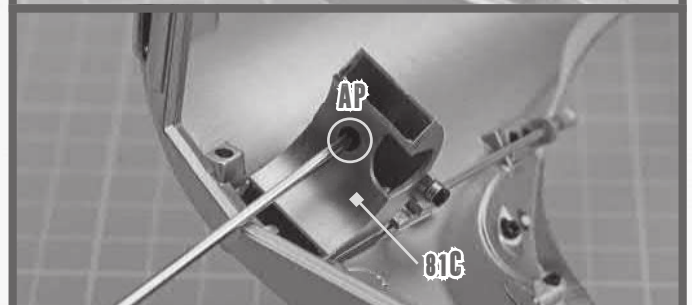
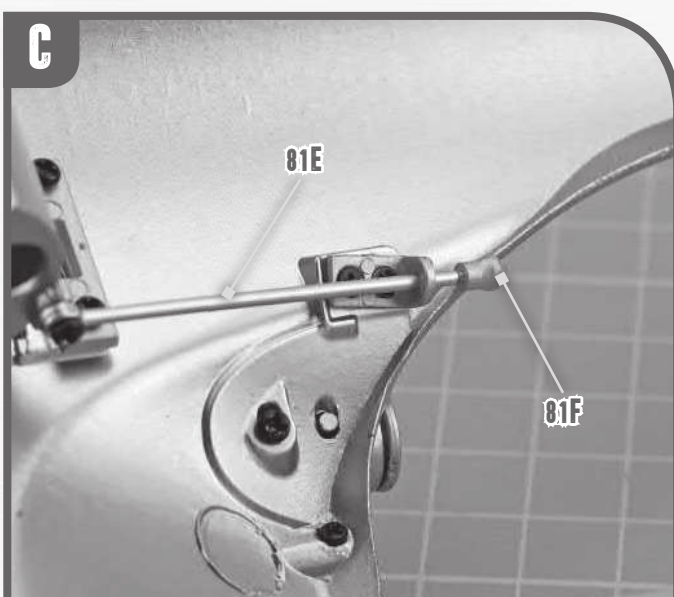
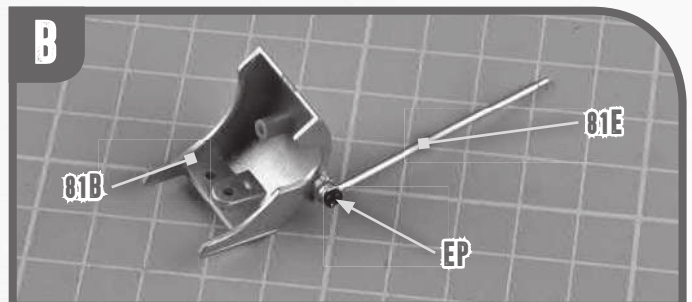
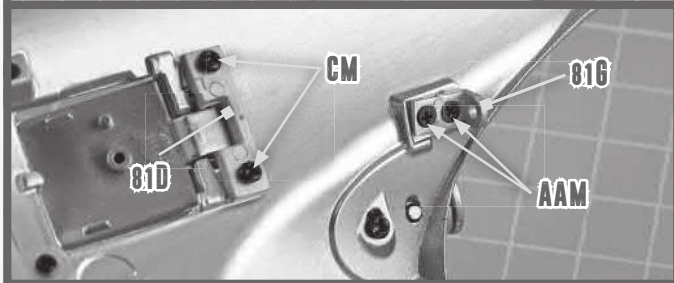
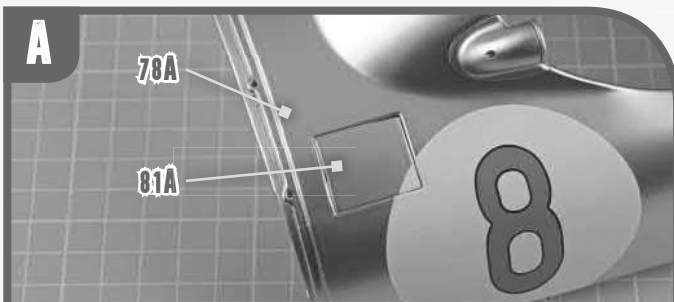
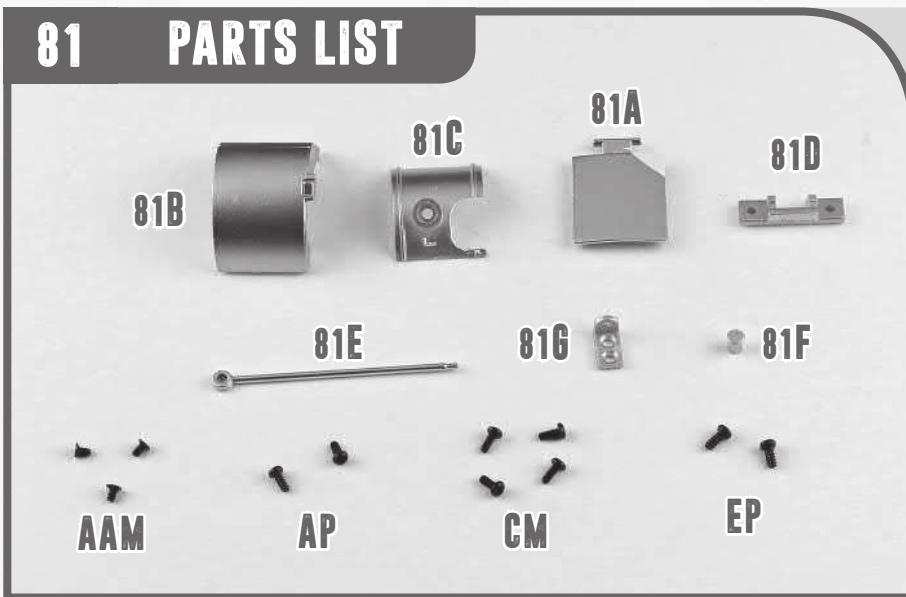
stepbystep #80



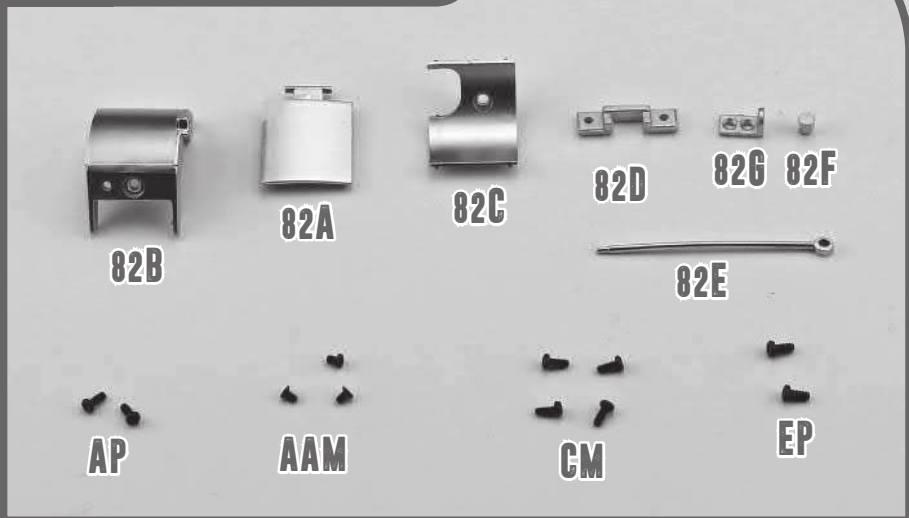
81 PARTS LIST

- 81A** Vent hole cover (L)
- 81B** Duct part A (L)
- 81C** Duct part B (L)
- 81D** Bracket 1 (L)
- 81E** Rod
- 81F** Knob
- 81G** Bracket 2

- AP** 2 screws (1.7x4mm)
- EP** 2 screws (2x4mm)
- AAM** 3 screws (1.7x3mm)
- CM** 4 screws (1.7x4mm)

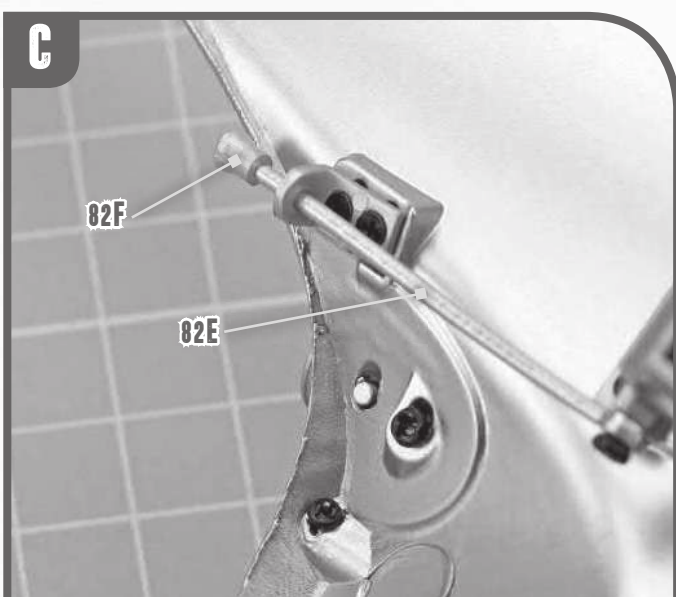
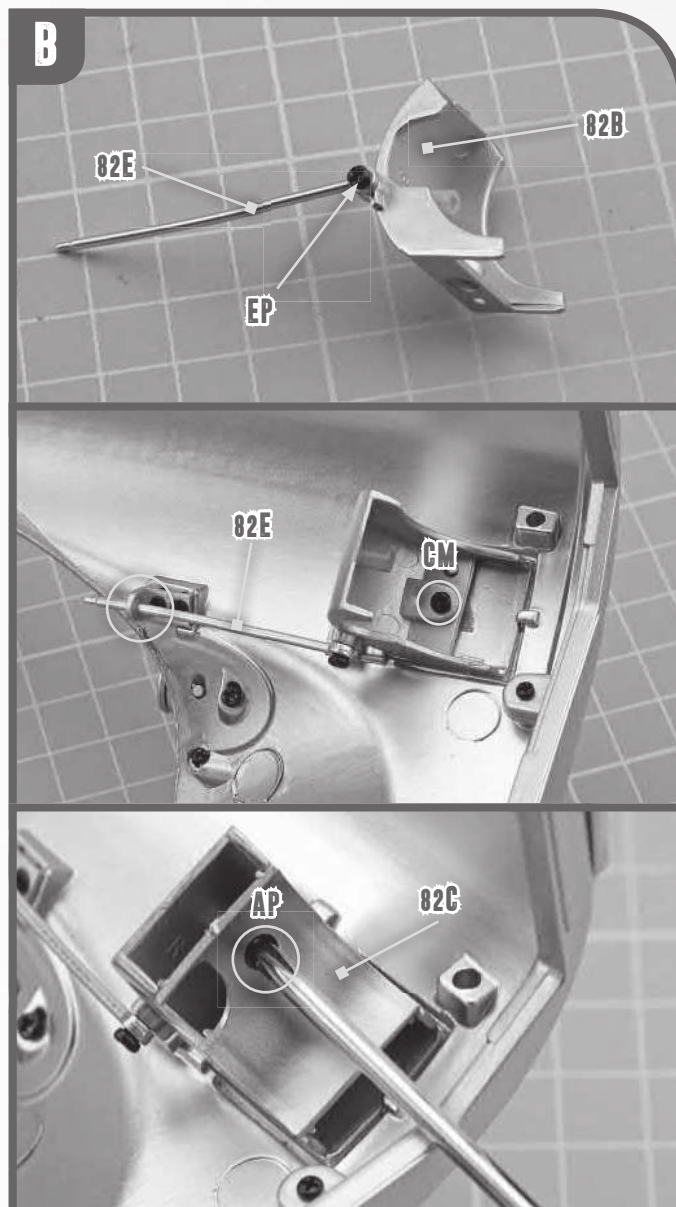
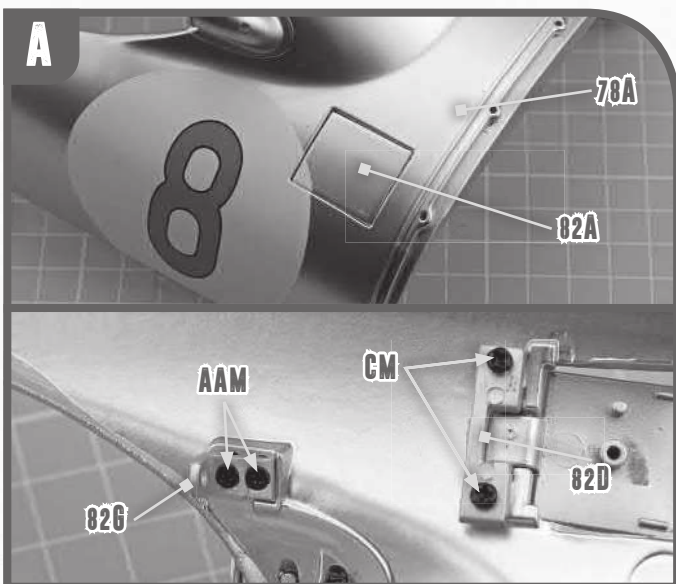


82 PARTS LIST

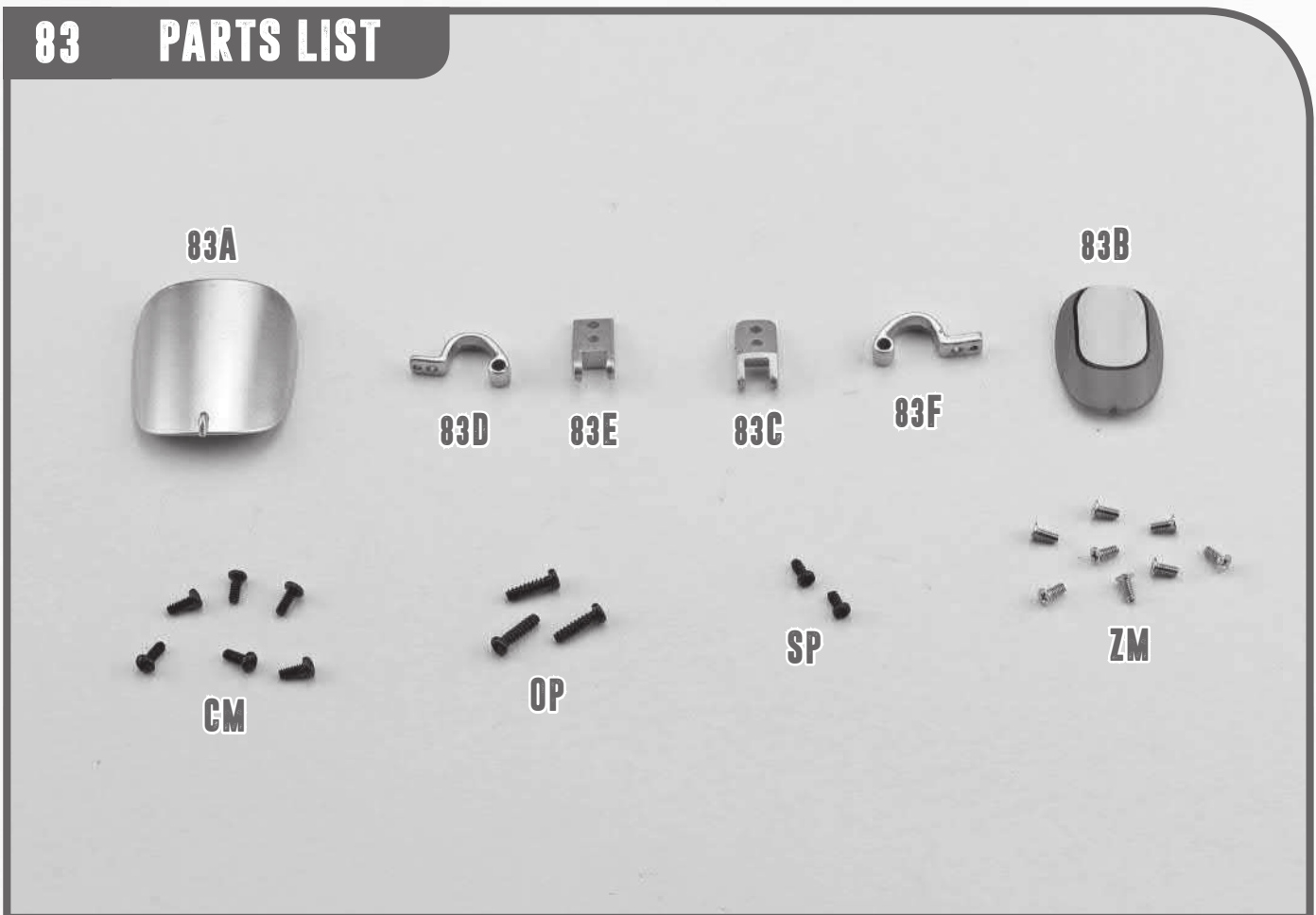


- 82A** Vent hole cover (R)
- 82B** Duct part A (R)
- 82C** Duct part B (R)
- 82D** Bracket 1 (R)
- 82E** Rod
- 82F** Knob
- 82G** Bracket 2

- AP** 2 screws (1.7x4mm)
- EP** 2 screws (2x4mm)
- AAM** 3 screws (1.7x3mm)
- CM** 4 screws (1.7x4mm)



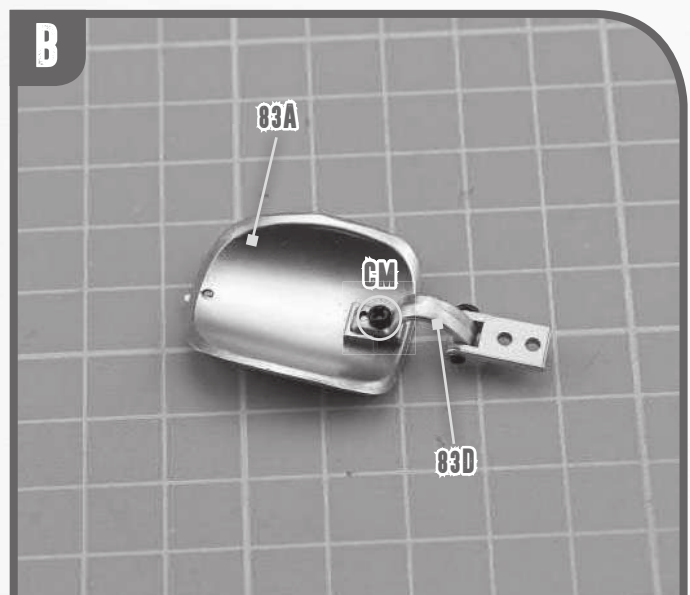
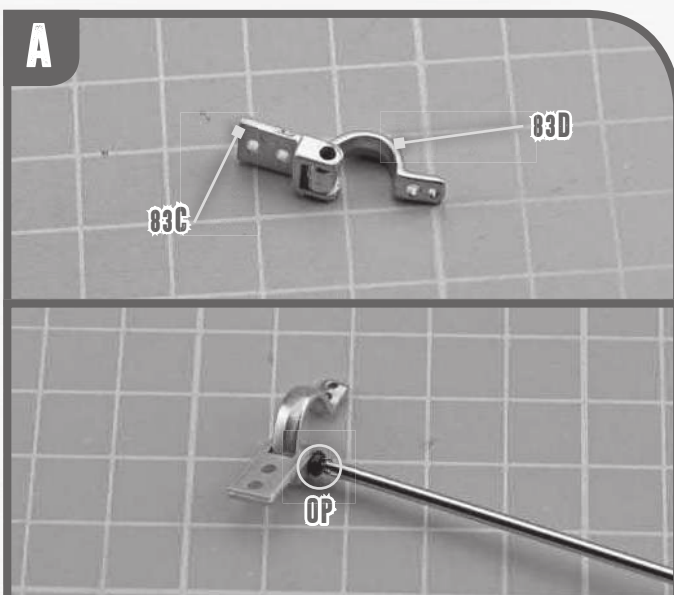
83 PARTS LIST

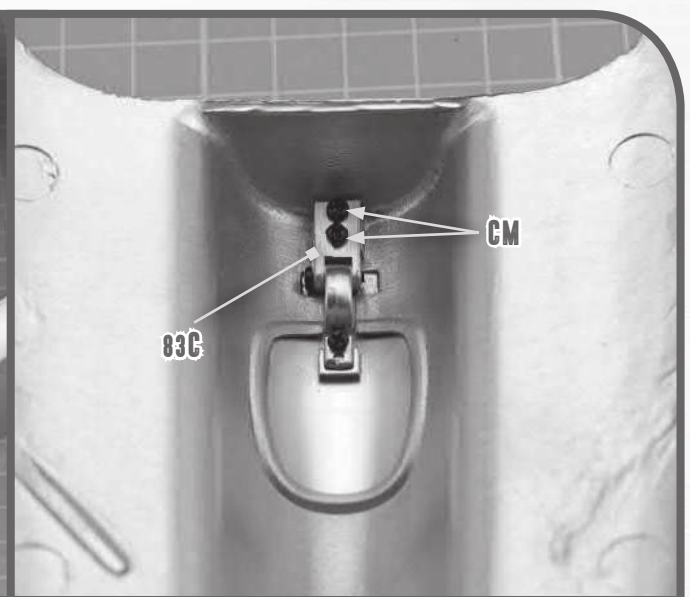
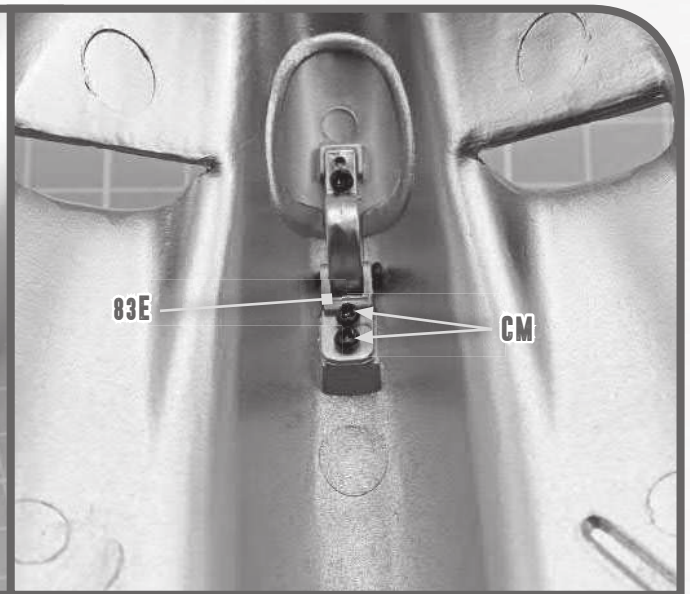
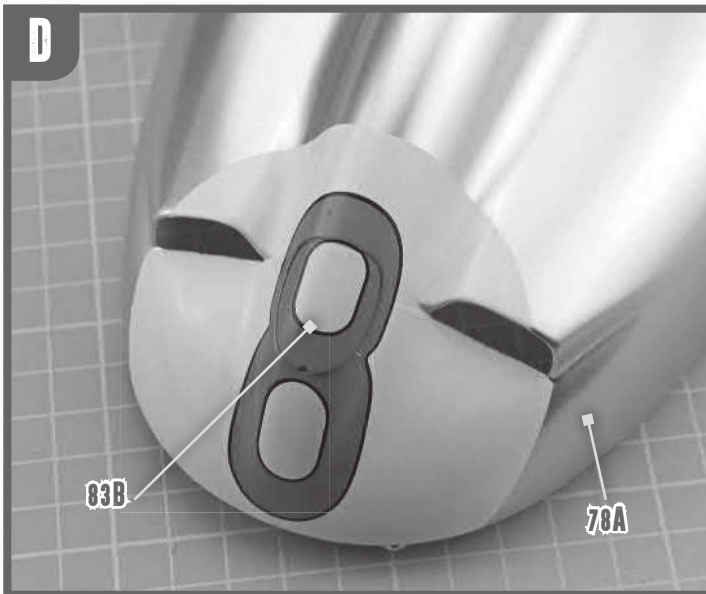
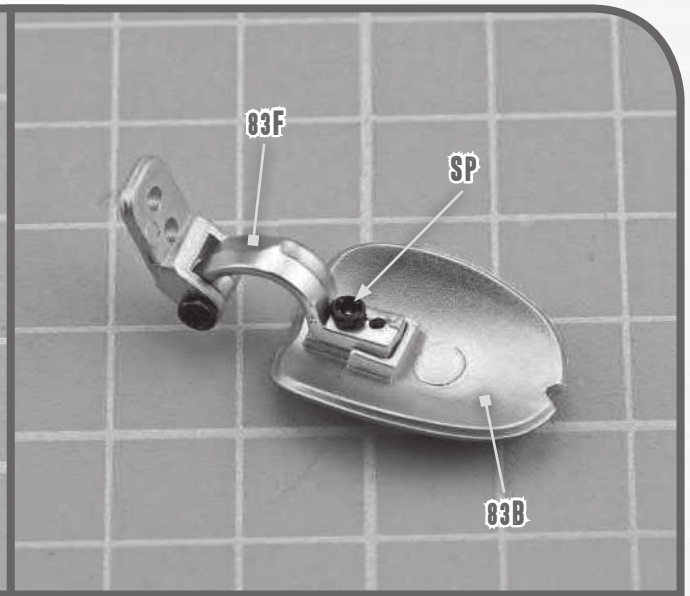
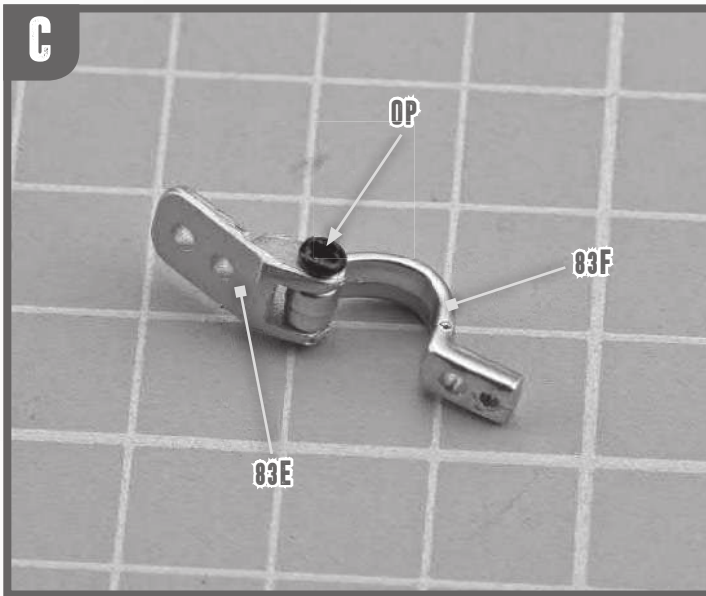


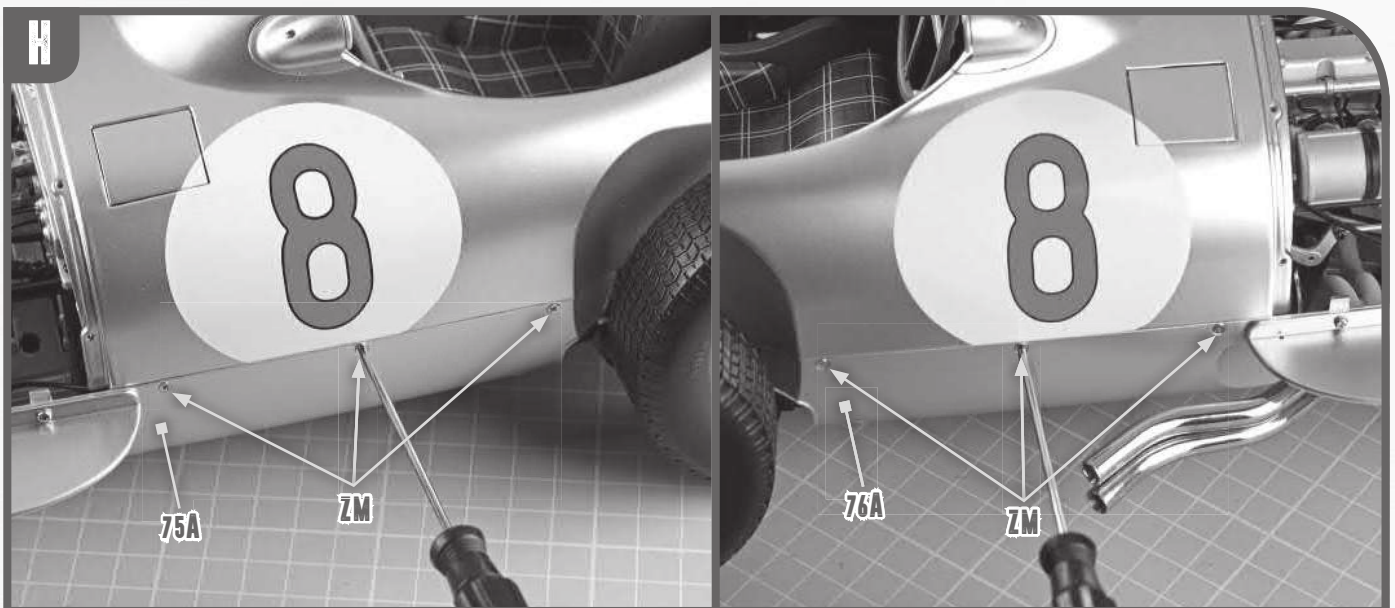
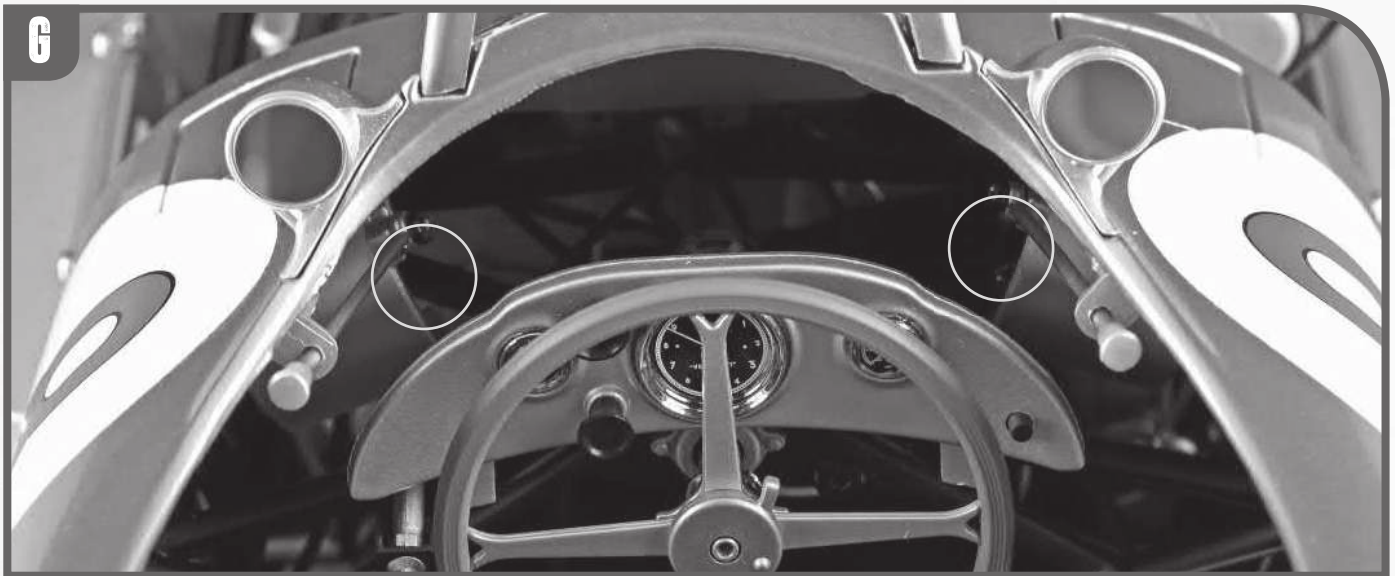
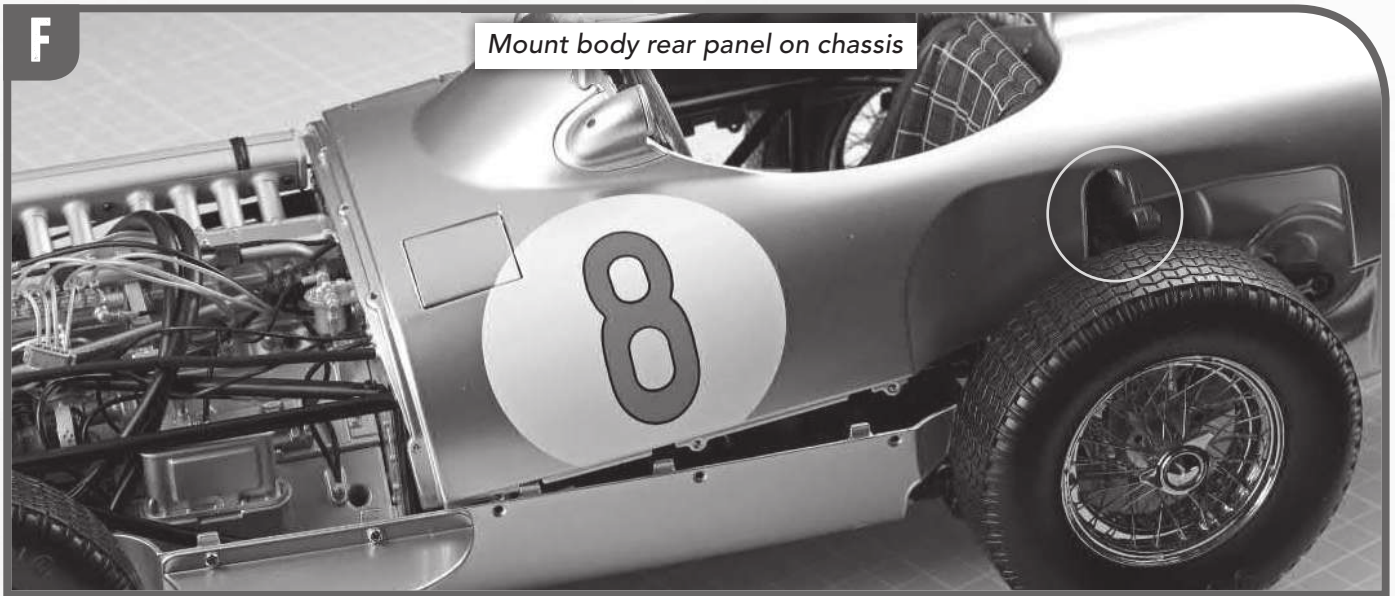
83A Fuel tank cap cover
83B Oil tank cap cover
83C Fuel tank bracket
83D Fuel tank hinge

83E Oil tank bracket
83F Oil tank hinge

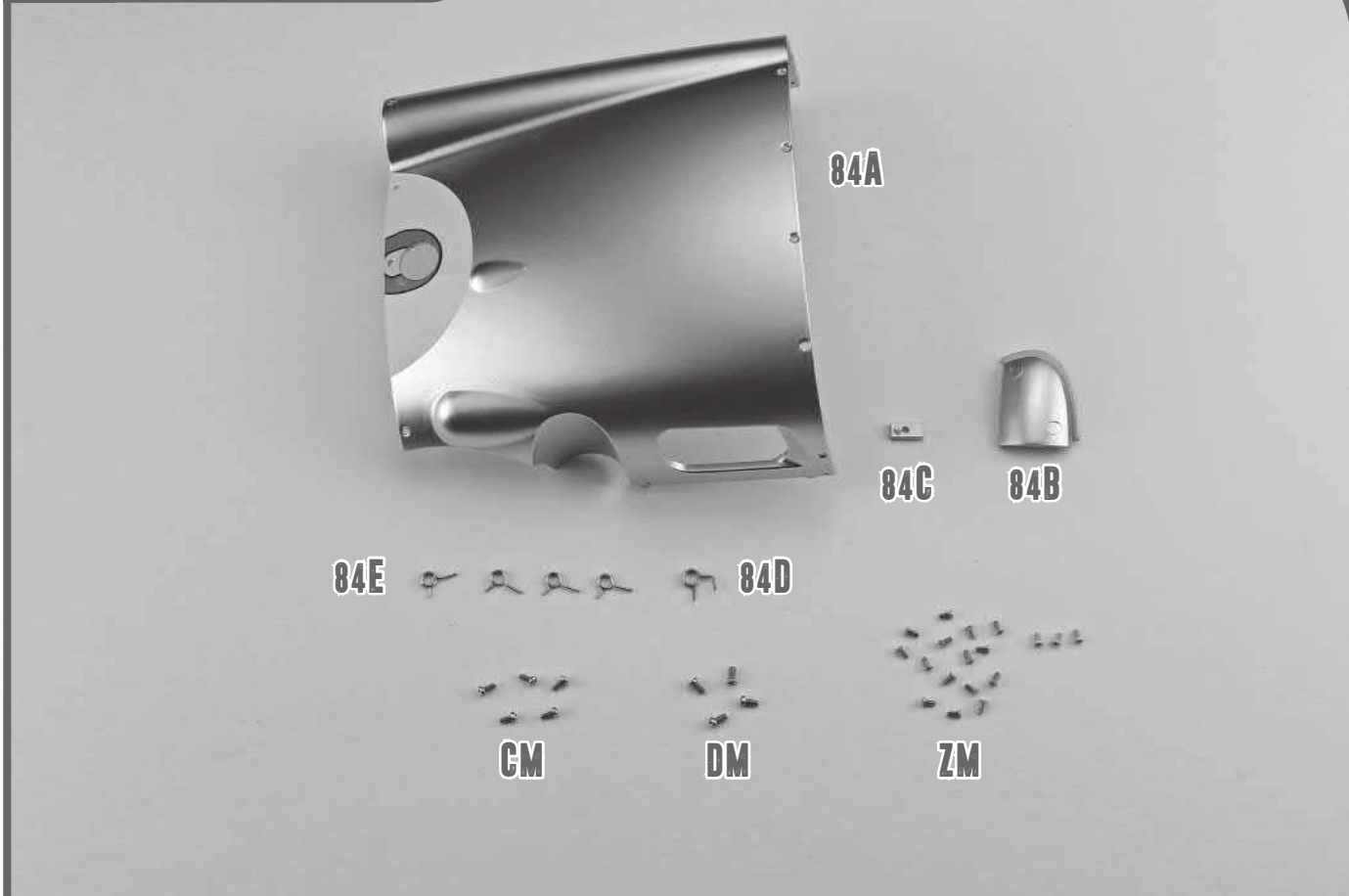
OP 3 screws (2x7mm)
SP 2 screws (1.5x4mm)
CM 6 screws (1.7x4mm)
ZM 8 screws (1.7x4mm)







84 PARTS LIST



84A Body front panel

84B Front right wheel arch panel

84C Mounting plate

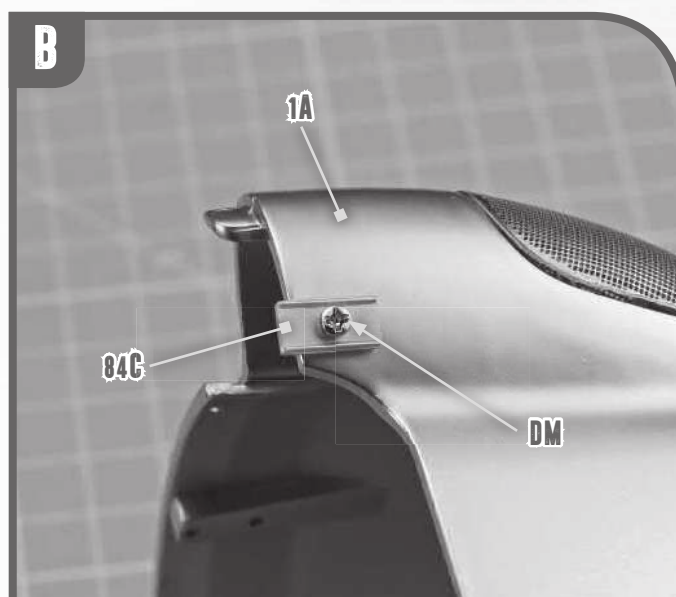
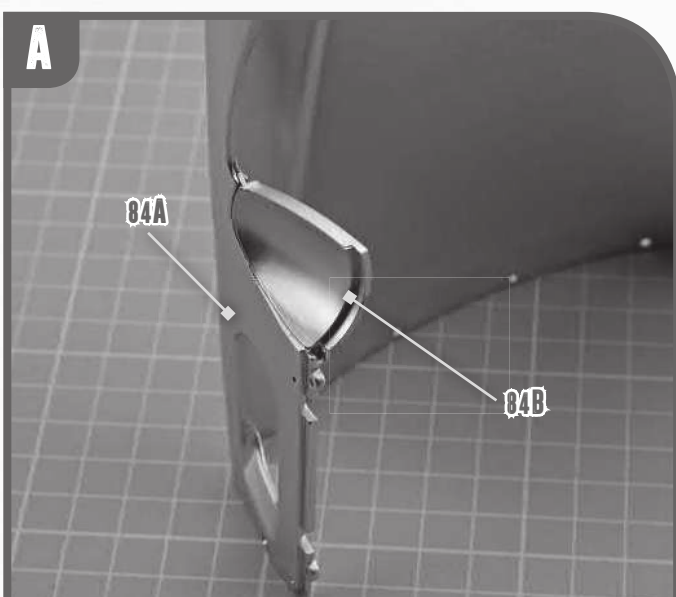
84D Fixing pin 1

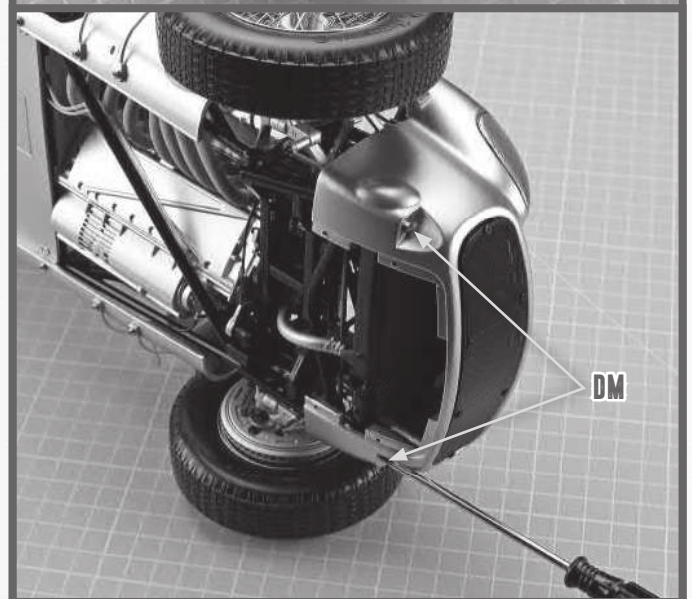
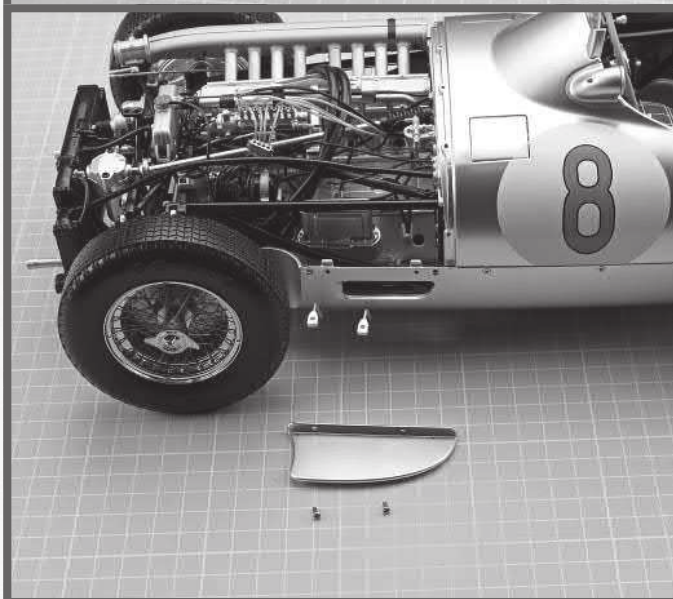
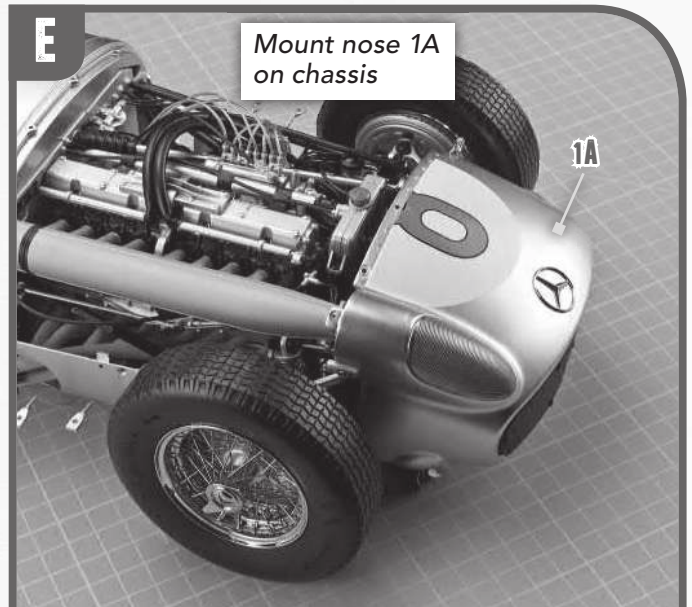
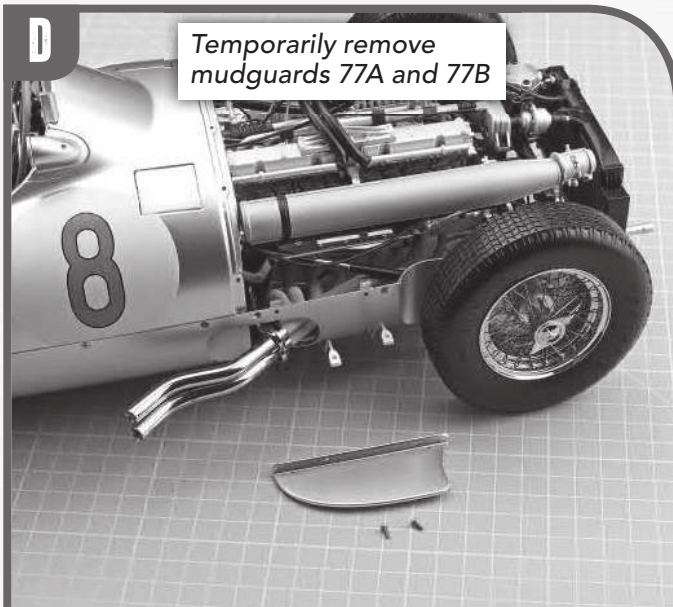
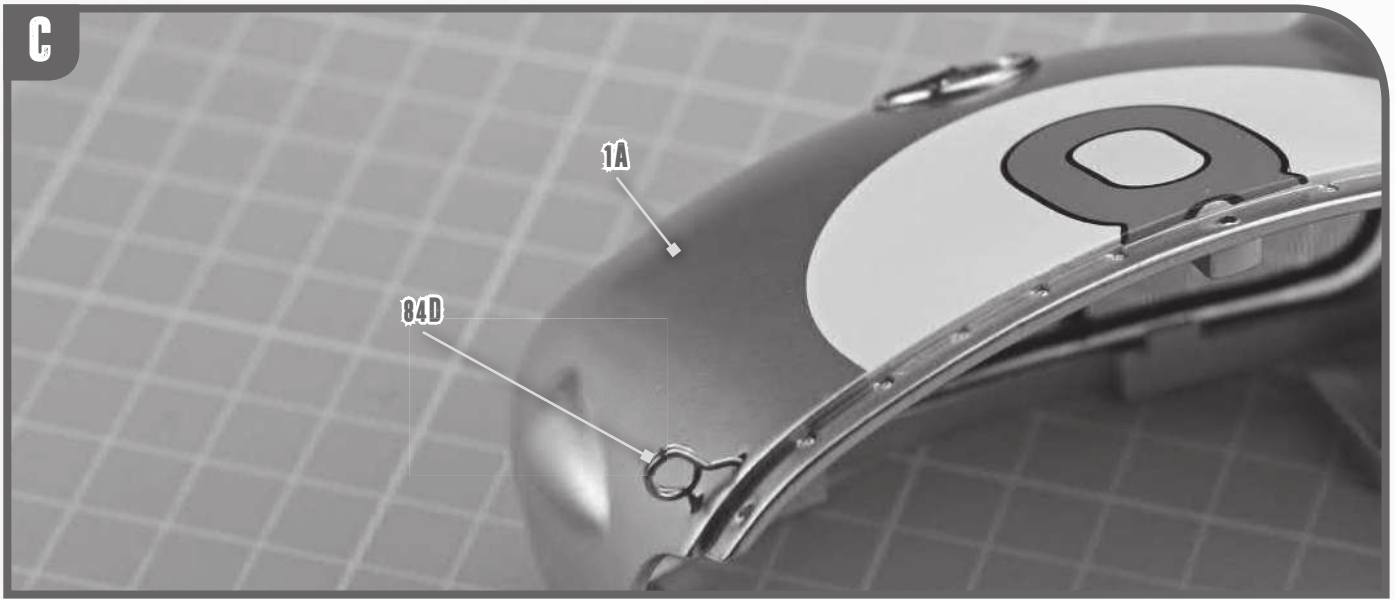
84E Fixing pins 2 (x4)

CM 5 screws (1.7x4mm)

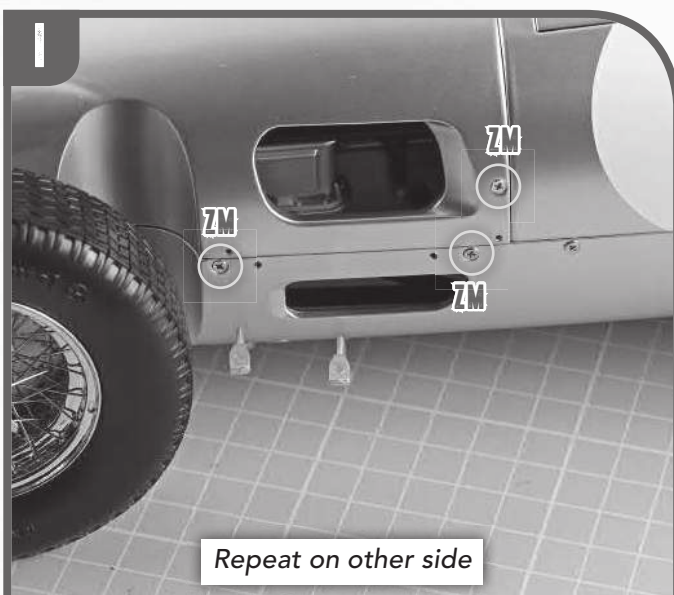
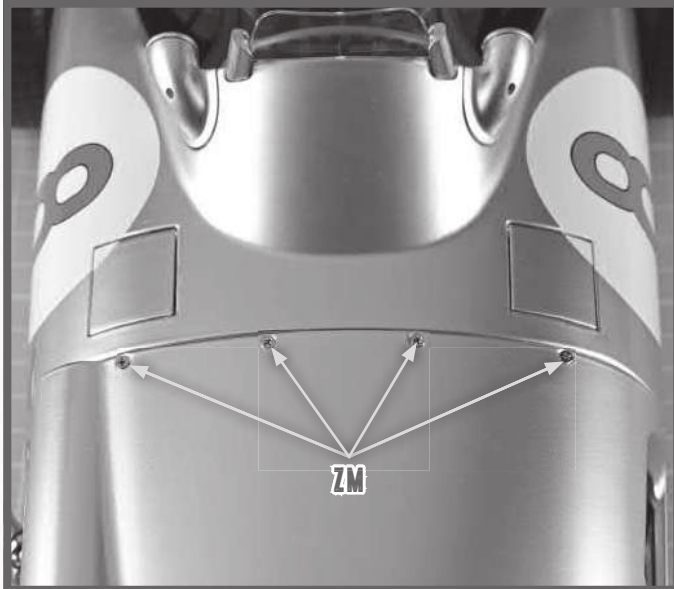
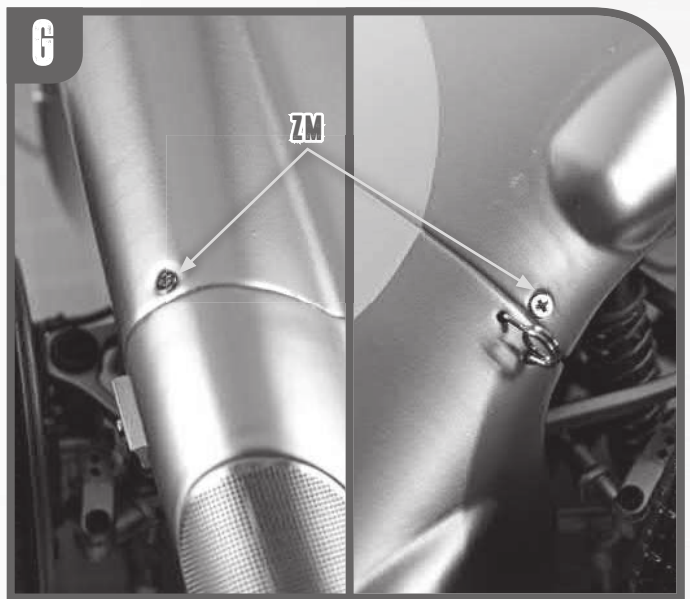
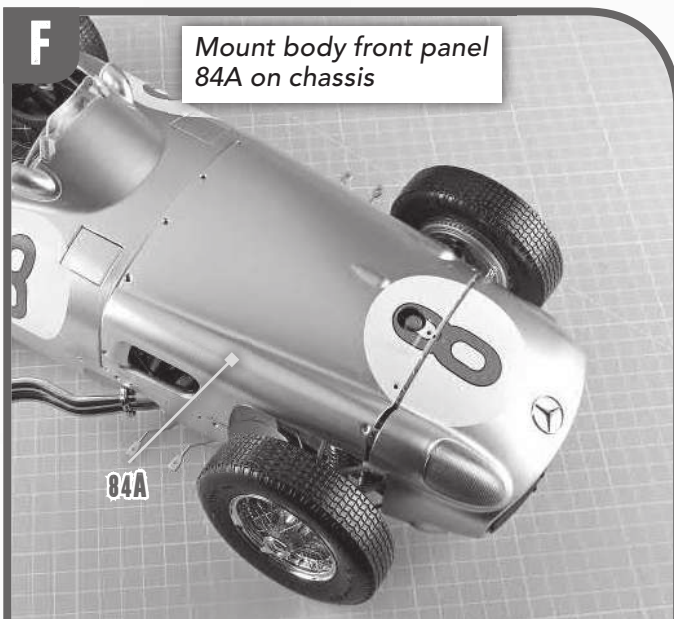
DM 4 screws (2x4mm)

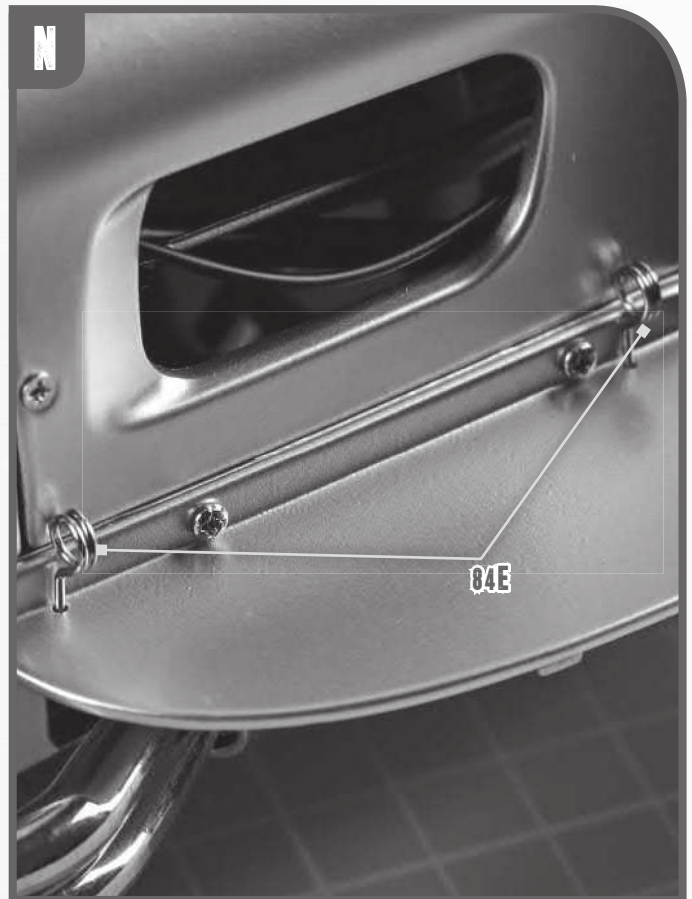
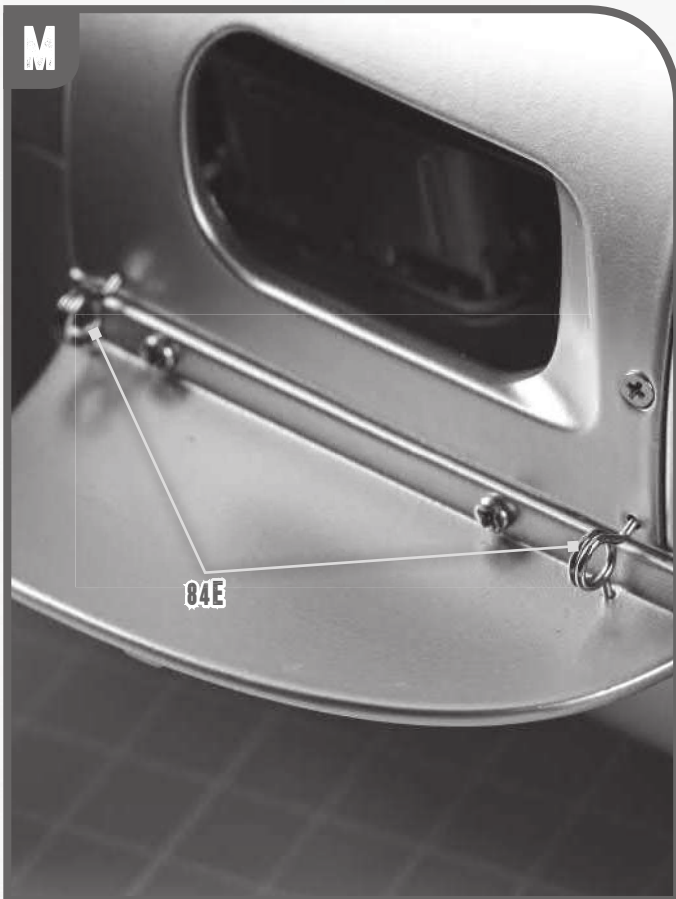
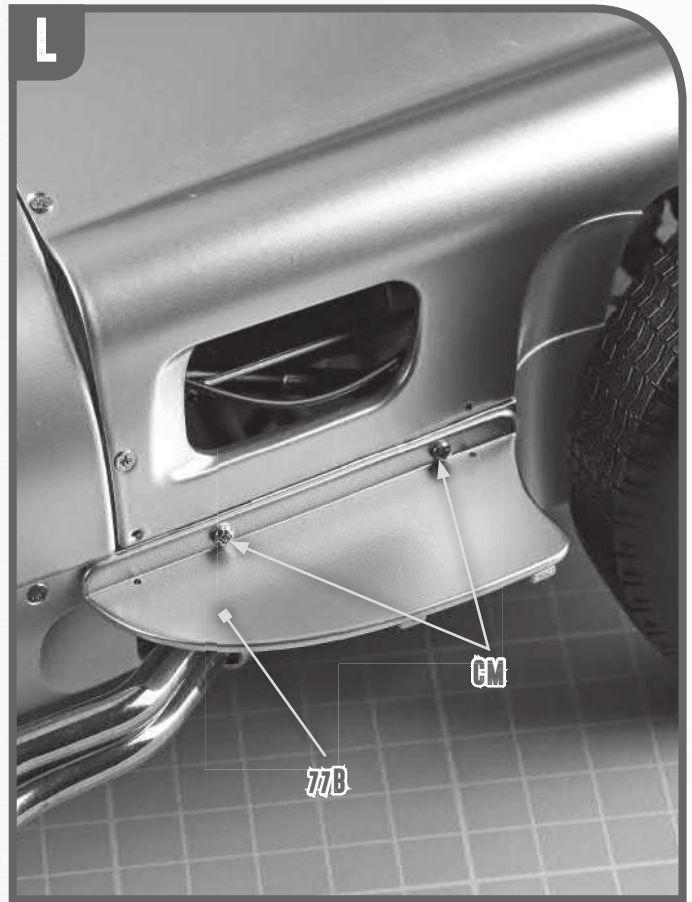
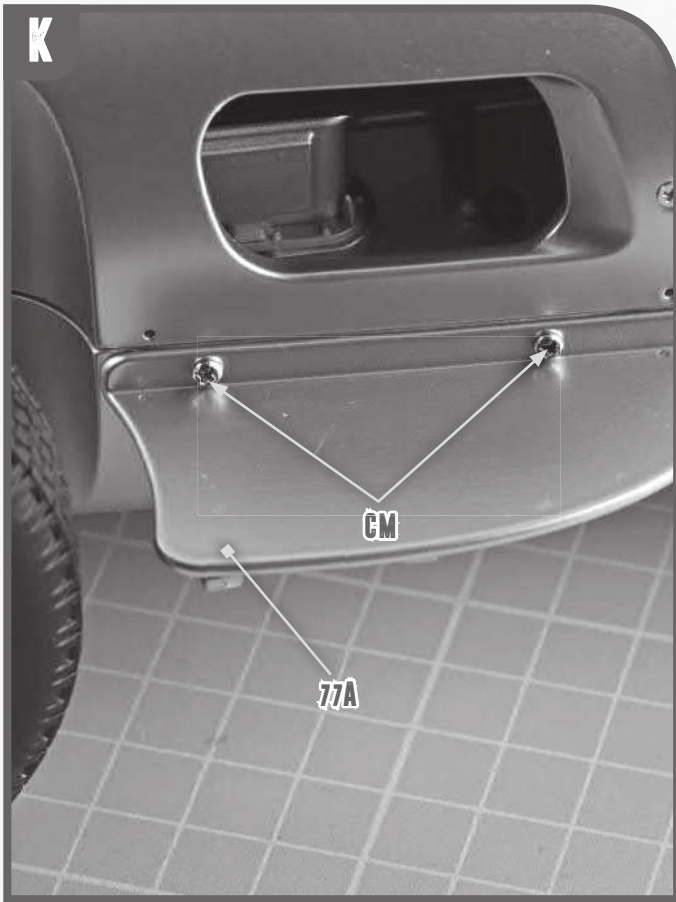
ZM 18 screws (1.7x4mm)





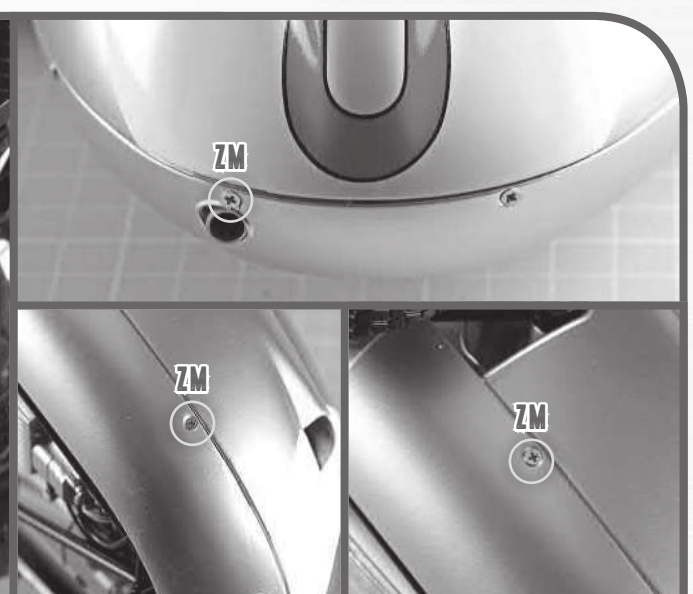
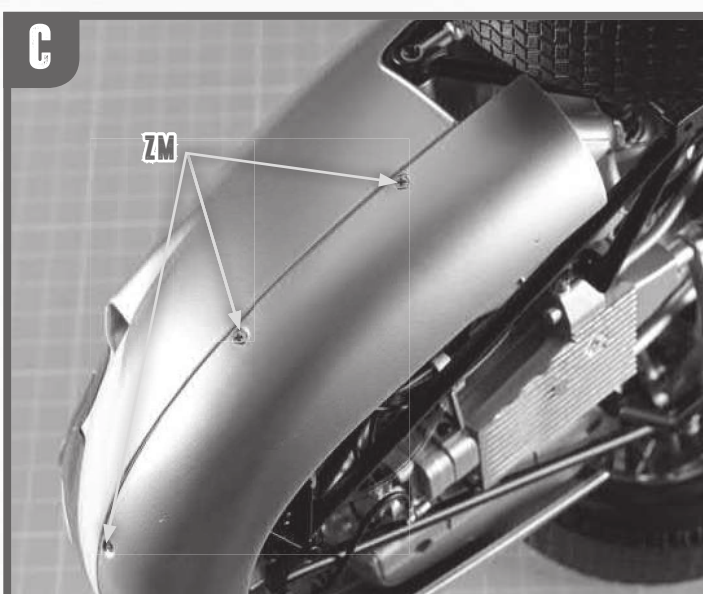
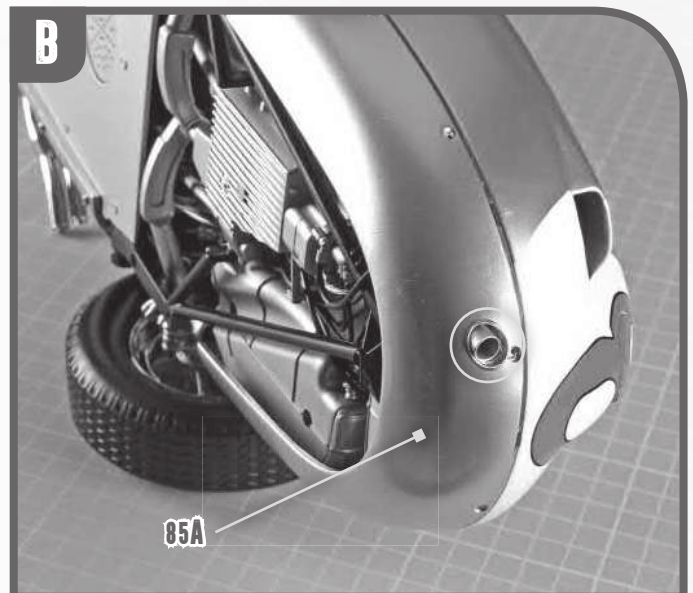
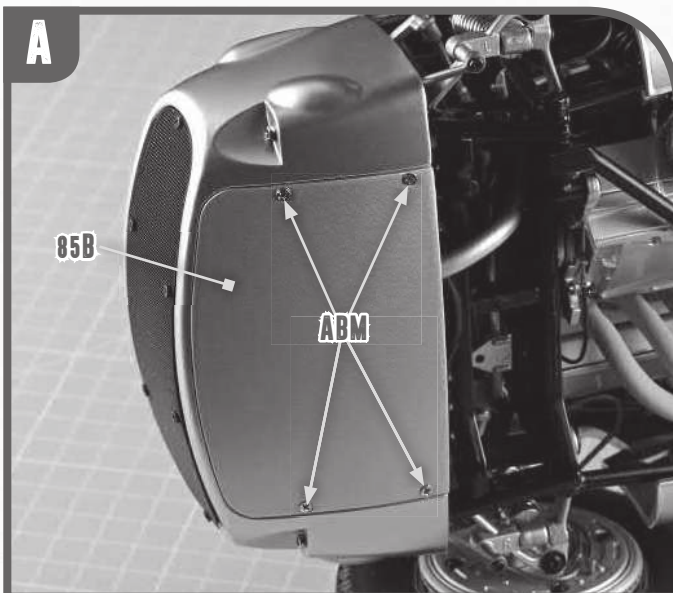
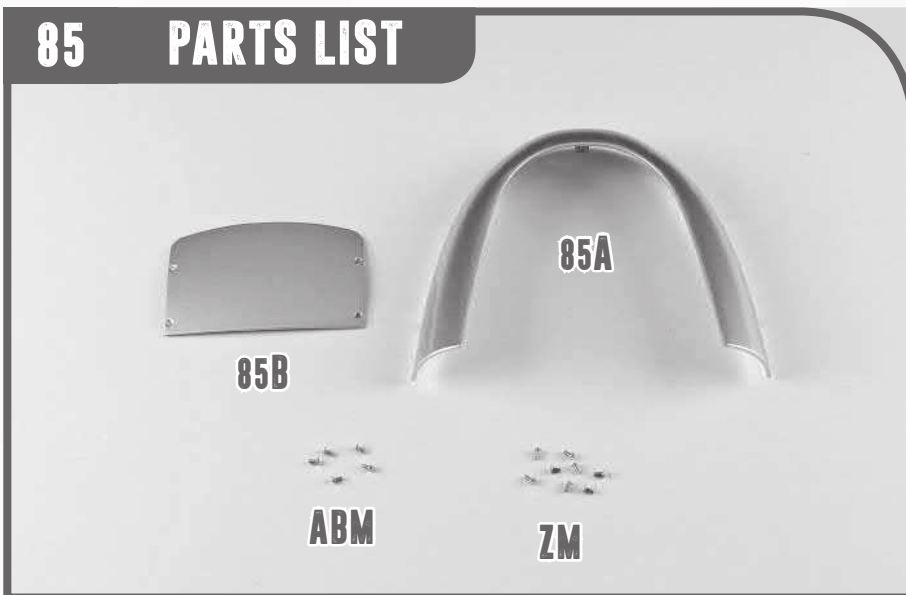
stepbystep #84

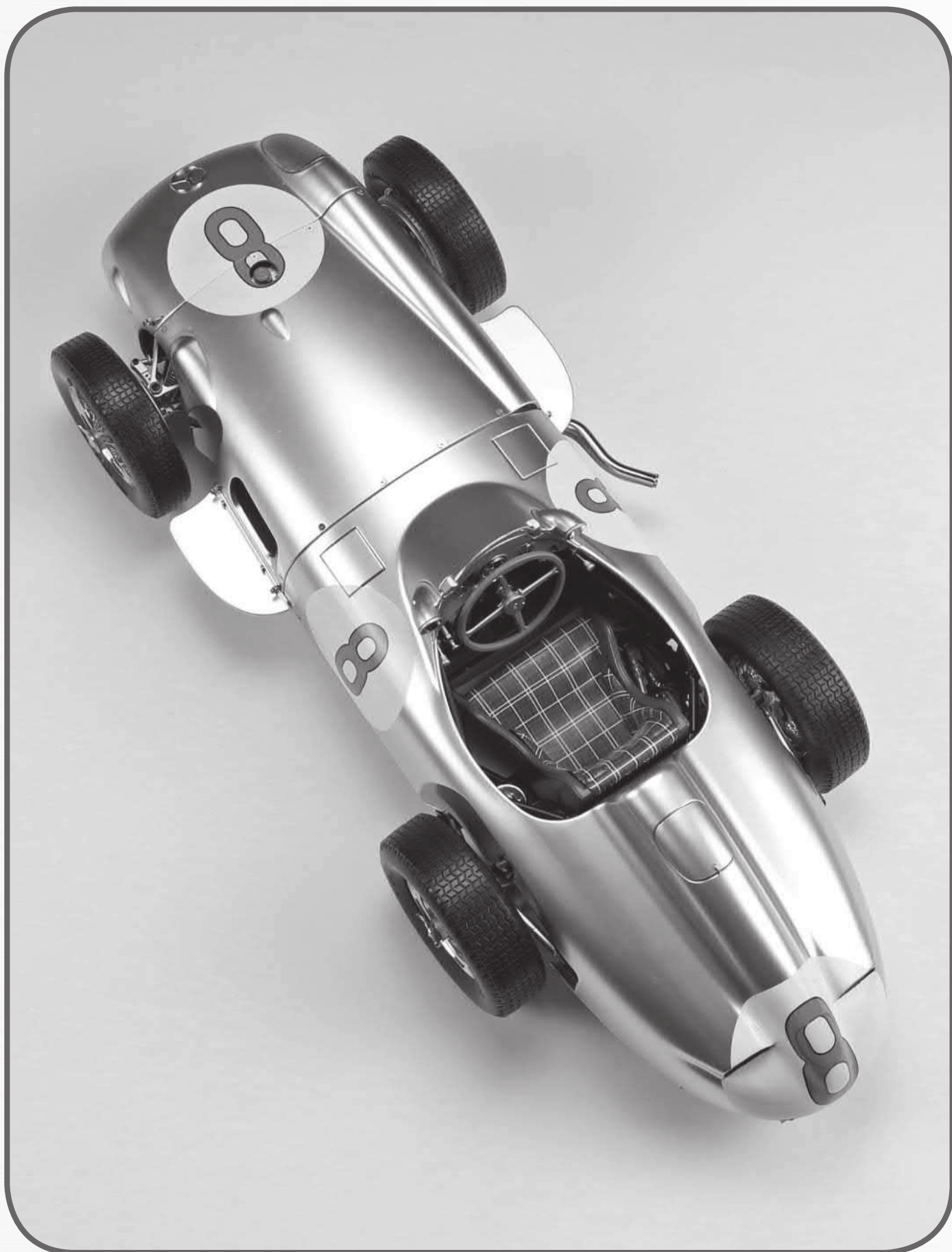


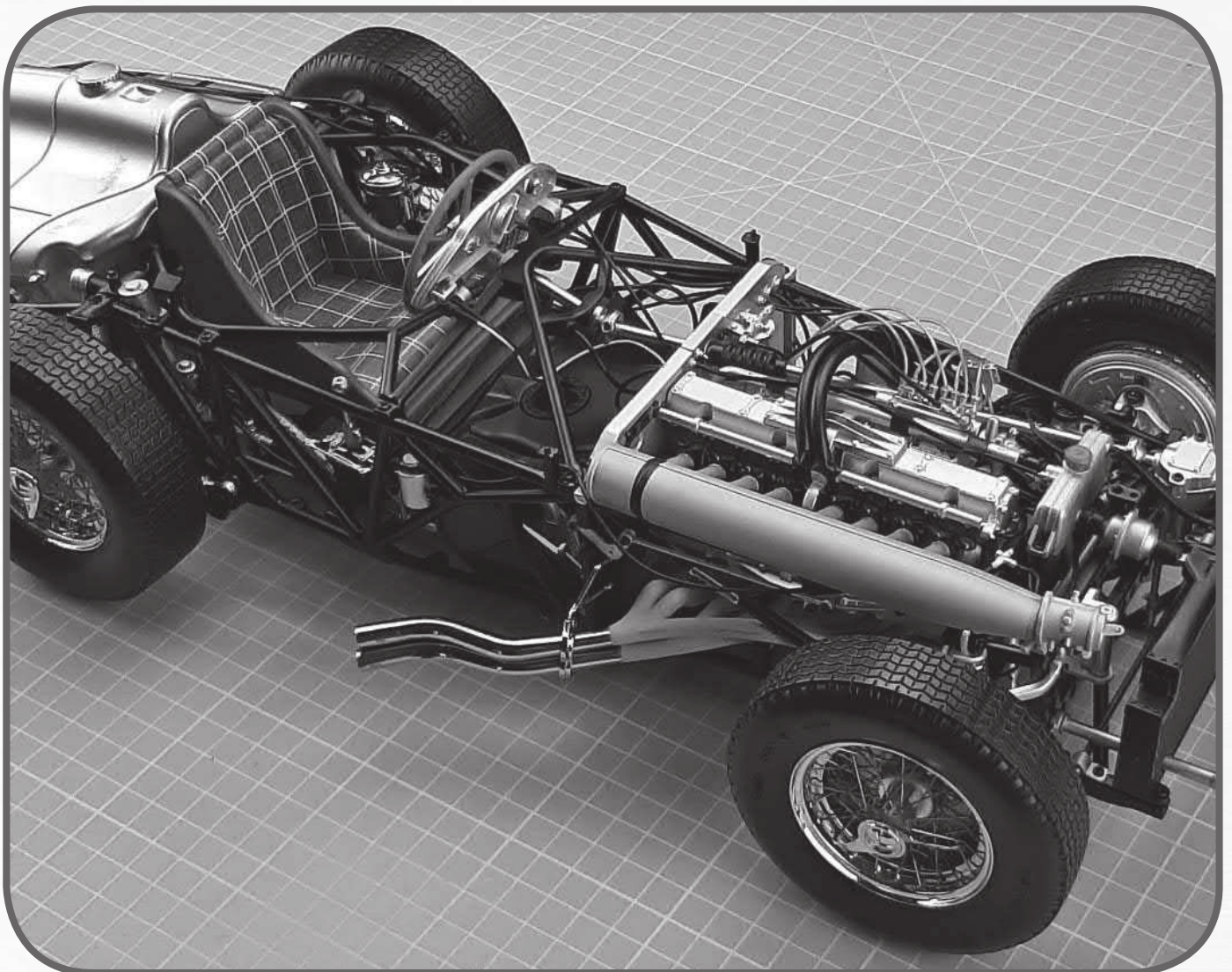
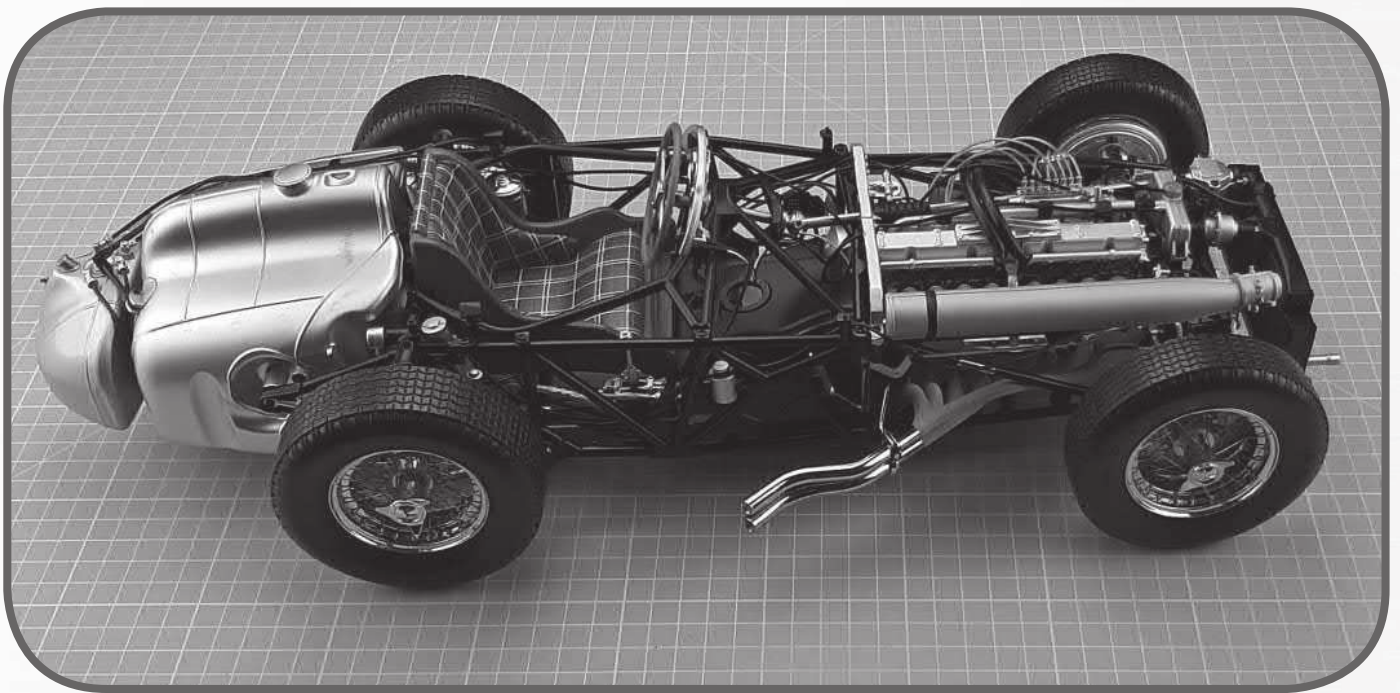


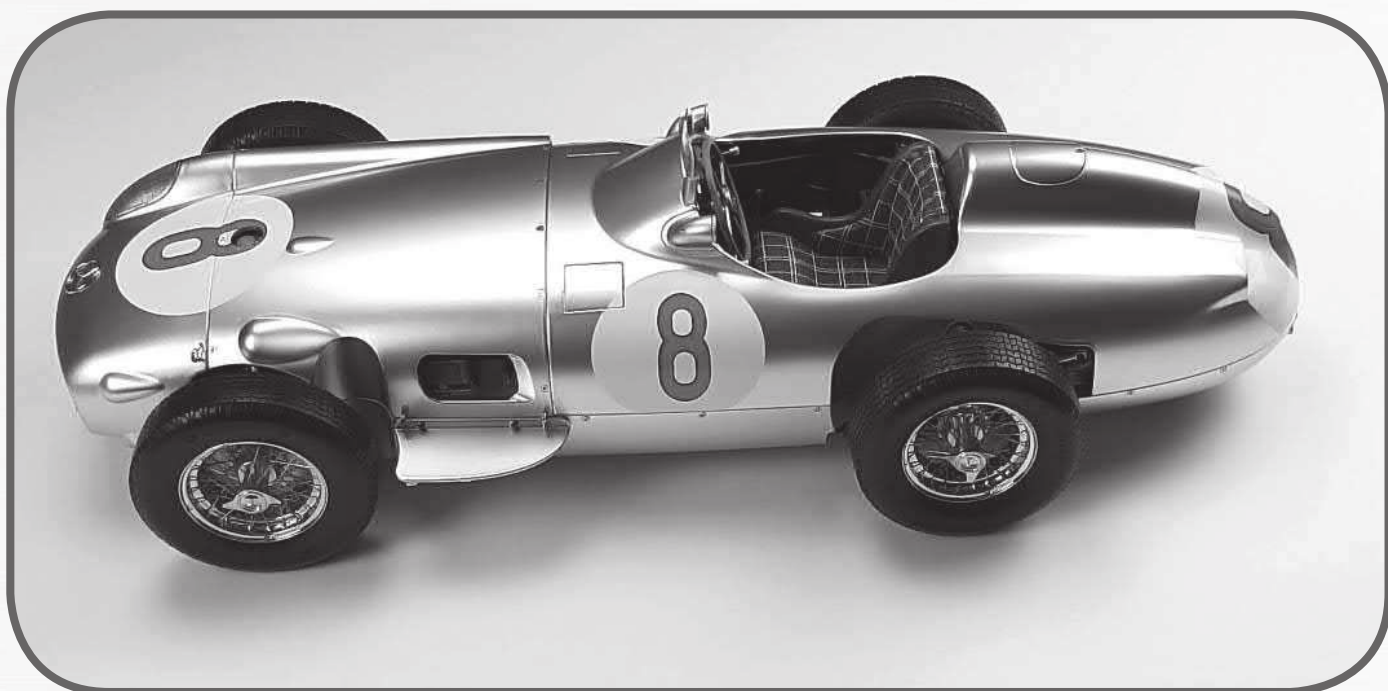
85 PARTS LIST

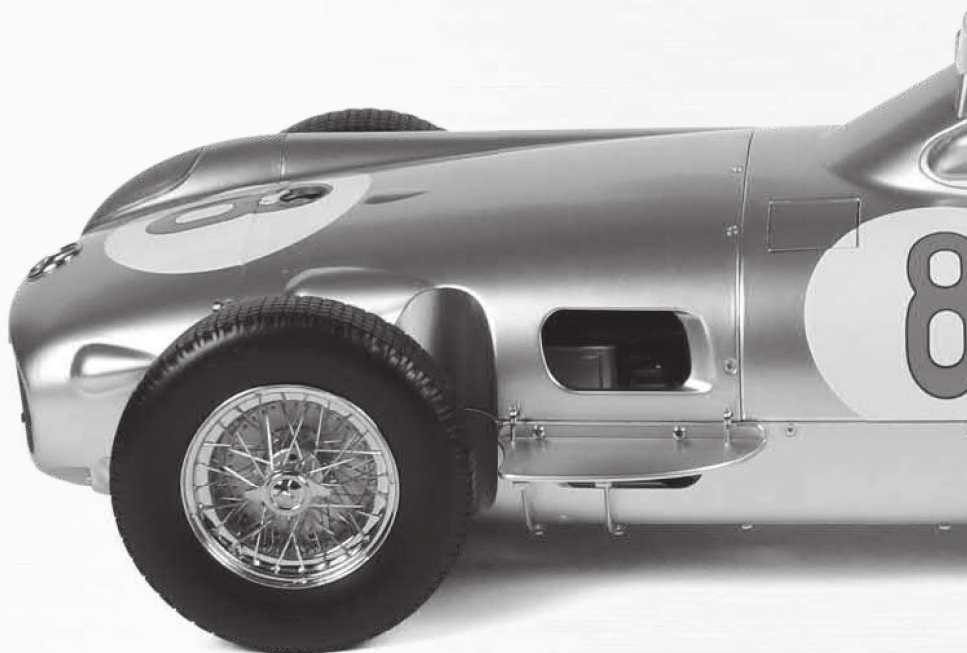
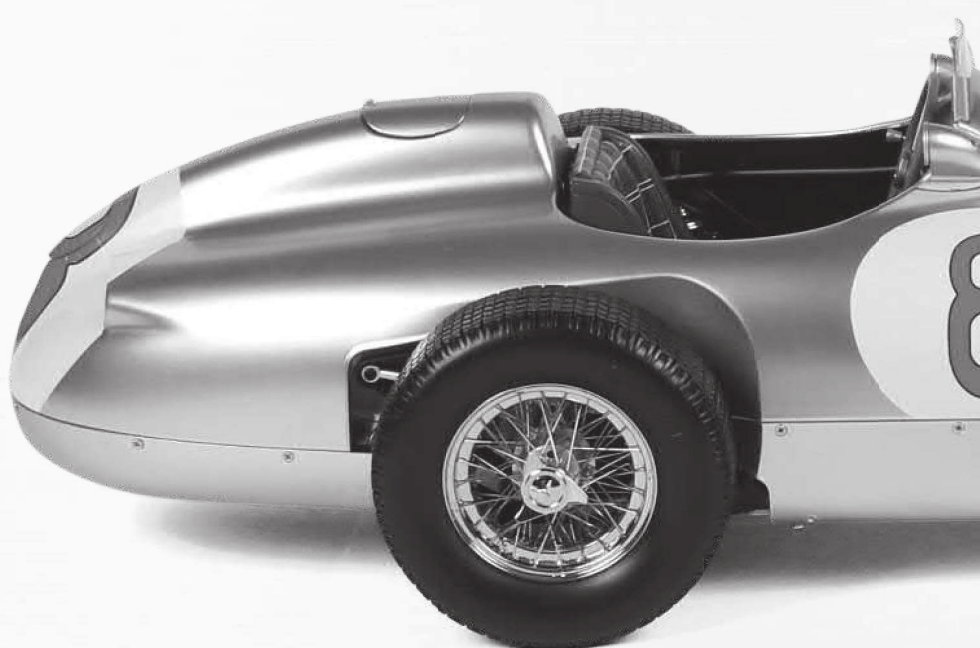
- 85A** Rear bottom panel
- 85B** Front bottom panel
- ABM** 5 screws (1.7x5mm)
- ZM** 8 screws (1.7x4mm)

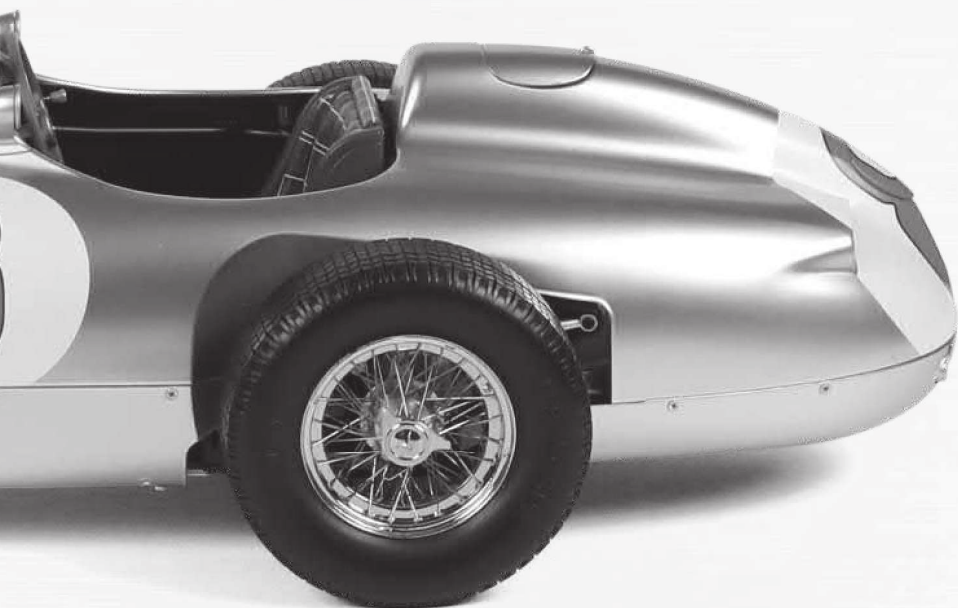
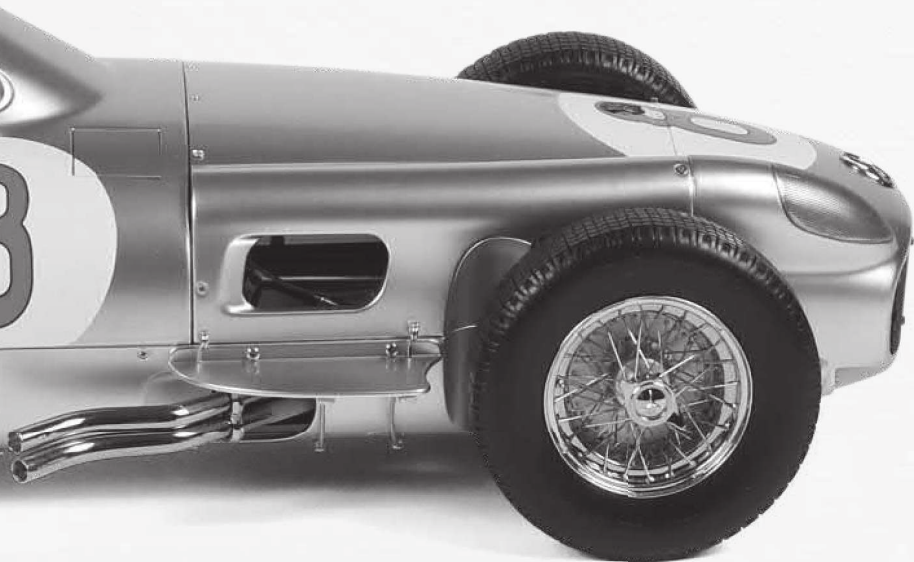












Kit details

Your Mercedes-Benz W 196 R full kit is broken down as follows:

PACK 1	#2, #4-11, #13
PACK 2	#14-26
PACK 3	#27-39
PACK 4	#40-47
PACK 5	#48-60
PACK 6	#61-68
PACK 7	#69-71
PACK 8a	#72-77, #79-83, #85
PACK 8b	#78
PACK 9	#1, #3, #12, #84

