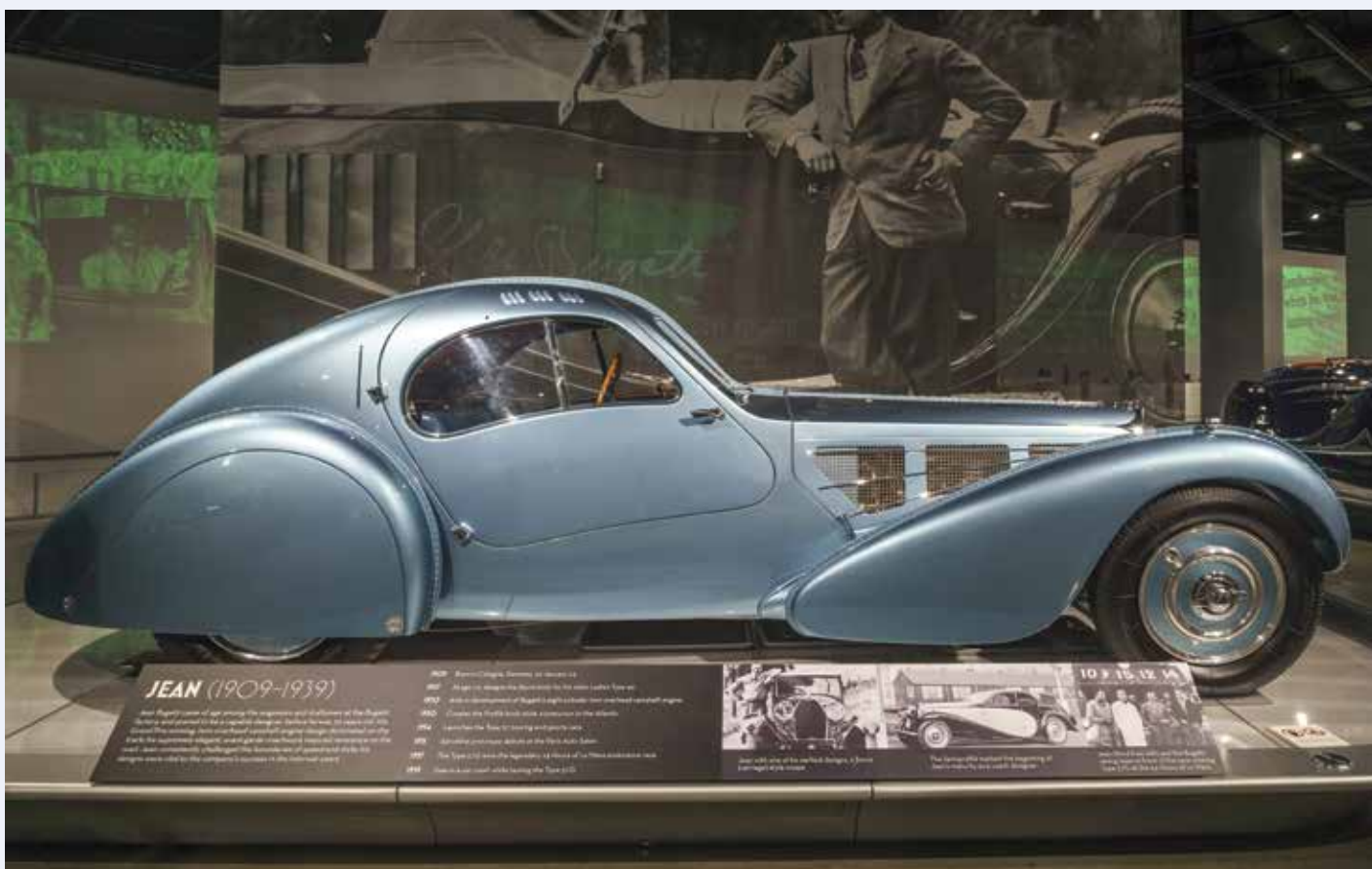


Bugatti Type 57SC Atlantic

Plongons-nous dans la fascinante histoire de l'automobile, où certaines voitures ont transcendé leur époque pour en devenir l'emblème ultime. Il s'agit de voitures qui ont connu un succès commercial exceptionnel ou qui ont introduit des innovations techniques ou stylistiques révolutionnaires.

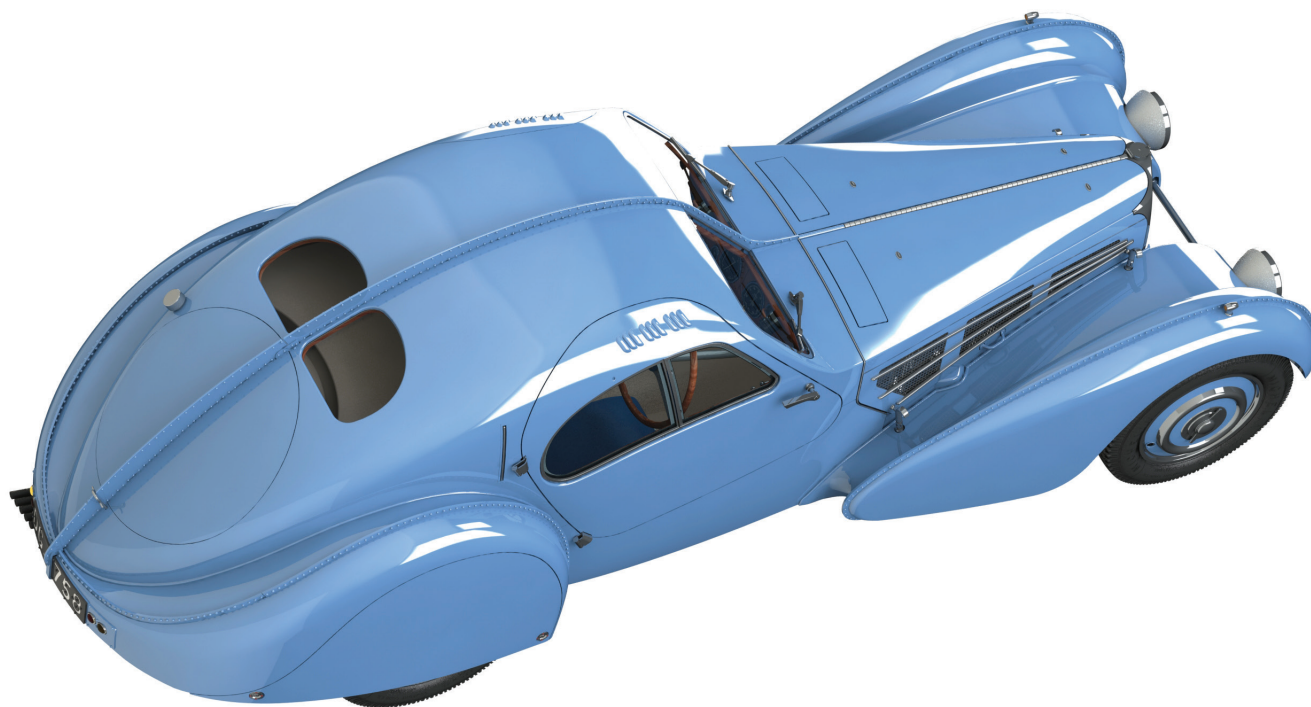
In the history of the automobile some models have stood out as the exemplar of their time, becoming the very symbol of an era. Cars that either enjoyed incredible commercial success or introduced revolutionary innovations in terms of technology or style. The Bugatti Atlantic doesn't fit into any of



KIT DETAILS

Your Bugatti Type 57SC Atlantic full kit is broken down as follows:

Pack 1	#1
Pack 2	#2
Pack 3	7D, 7E, 14/1A, 14/1B, 14/1C, 14/1D, 14/1E, 16B, 16C, 29H, 63B, 66B, 70A, 70B
Pack 4	4G, 4H, 62A, 75A, 75B, 78A, 78B, 78C, 78D, 89A, 89B, 90C
Pack 5	#66
Pack 6	#03-#10, screws
Pack 7	#11, #31, #15/1, #30-1, #31-1
Pack 8	#32-#50, #40/1, #41/1, #48/1, #49/1
Pack 9	#51-#53, #58, #59, cutter
Pack 10	#54, #57, #60-#65, #67-#69
Pack 11	#71-#74, #76, #77, #79-#82
Pack 12	#83-#88, #93
Pack 13	#90-#92, #94-#100, #94/1, #96/1



Puis, il y a la Bugatti Atlantic, une icône qui refuse toute catégorisation conventionnelle. Elle s'élève comme un mythe inégalé, une légende automobile. La Bugatti Atlantic n'est pas seulement une voiture ; c'est une pièce maîtresse dont la renommée semble s'ancrer dans les pages de l'histoire de l'art plutôt que dans la production industrielle, bien que son excellence demeure indéniable. L'Atlantic est une œuvre d'art. Ses lignes, vues sous n'importe quel angle, évoquent les émotions intenses ressenties face à une sculpture : une élégance incroyable, des proportions parfaites. Cependant, ce qui distingue l'Atlantic va au-delà du « classique ». Elle incarne l'esprit de l'expérimentation, de la recherche, de l'audace. En un seul mot, elle est avant-gardiste.

La Bugatti Atlantic, produite en seulement quatre exemplaires, ne se résume pas à un simple exercice de style. Non, l'Atlantic était bien plus qu'un caprice artistique : elle était une bête de performance. Un châssis surbaissé, d'où le « S » dans son nom, associé à un moteur huit cylindres, disponible avec un compresseur (d'où le « C » dans le sigle). Ajoutez à cela des suspensions d'une sophistication inégalée et un habitacle biplace d'un confort absolu : ces prouesses technologiques exceptionnelles ont façonné l'Atlantic en une voiture véritablement superlative.

Remontons le temps jusqu'en 1935, une époque où Bugatti dévoile l'Aerolithe, un prototype automobile audacieux, dont la carrosserie est forgée dans un alliage de magnésium, très léger mais inflammable. Cette décision osée a exigé une méthode d'assemblage unique par rivets, donnant vie aux « ailerons » emblématiques qui ornent les garde-boues avant et la carrosserie





these categories. It's a unique and highly distinguished motor car, a genuine legend. But it goes beyond even that. Despite being a standout example of manufacturing excellence, its enduring renown can perhaps be better explained from an artistic perspective.

The Atlantic is, without doubt, a work of art. No matter which angle you observe it from, its lines convey the same emotions you'd expect from a classic sculpture: incredibly elegant and perfectly proportioned. But there's something more: the Atlantic isn't "classical" by any means: it's experimentation, it's research, it's audacity. Simply put: avant-garde.

Although very few were produced (just four), this wasn't just an exercise in style, the satisfaction of an artistic whim: the Atlantic was capable of putting in a performance too. The low-slung chassis ("Surbaissé", hence the S in the suffix), the eight-cylinder engine also available with a supercharger (hence the C in the acronym for "Compresseur"), the sophisticated suspension, and the comfortable two-seat passenger compartment: qualities of such technological excellence that made the Atlantic a superlative car.

Its origins date back to 1935, when Bugatti presented the Aerolithe prototype, a design that represented a significant risk since its body was constructed from a very light but highly flammable magnesium alloy. The use of this particular material meant that a special riveted assembly was required, giving rise to the unique "fins" that characterised the front wings and main section of the

principale. Décidant de jouer sur des notes plus conventionnelles, Bugatti élabore ensuite un modèle dérivant du prototype, revêtu d'une carrosserie en alliage d'aluminium traditionnel, tout en conservant les « ailerons » révolutionnaires de l'Aerolithe. L'avant de la voiture subit une transformation profonde, accueillant un nouveau radiateur.

Le 2 septembre 1936, naissait le tout premier exemplaire de la série Type 57S Atlantic (le C a été ajouté plus tard lorsque le moteur a été équipé d'un compresseur en 1939) et Lord Victor Rothschild en fut le premier propriétaire. La carrosserie évoquait l'élégance avec son gris-bleu original, aux nuances infinies. Rothschild, animé par un enthousiasme débordant, pousse la voiture au-delà de ses limites, endommageant irrémédiablement le moteur. Ainsi immobilisée, elle demeure emprisonnée dans les garages de Rothschild jusqu'à sa vente en 1941, une période sombre de guerre où une voiture telle que l'Atlantic semble suspendue dans un autre temps. Au cours des années qui suivent, l'Atlantic change de mains à plusieurs reprises, un nouveau moteur prend place, elle se retrouve en Californie, et est repeinte d'abord en rouge, puis en bleu.

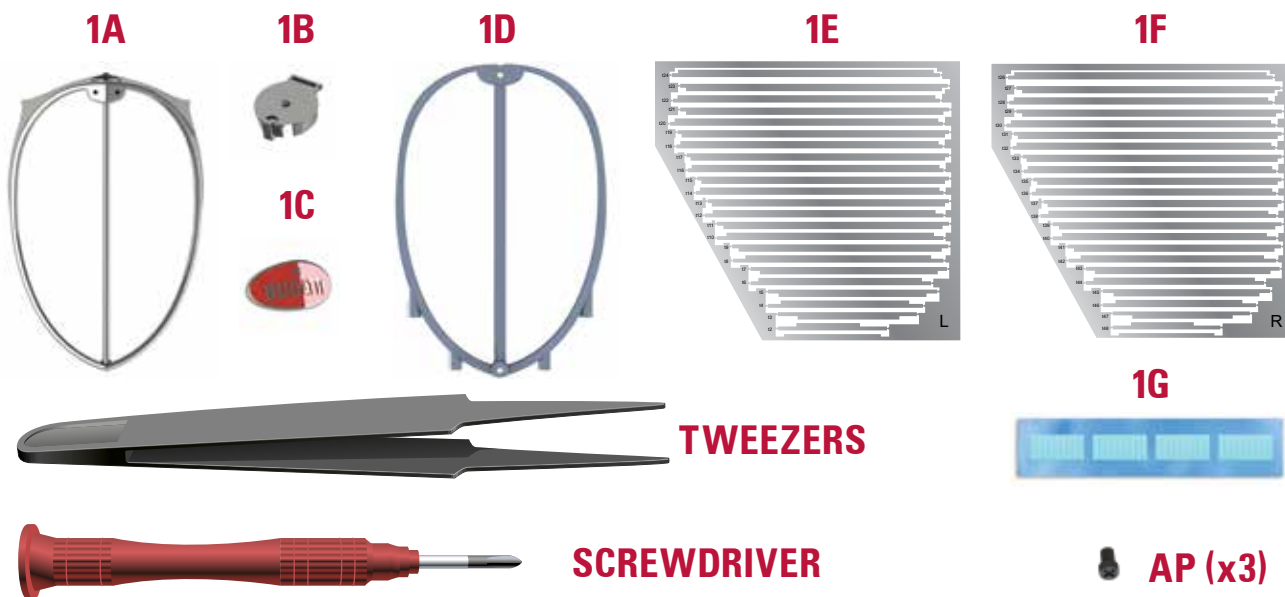
En 1971, l'Atlantic est vendue aux enchères à un médecin du Connecticut, Peter Williamson. Il entreprend une restauration durant deux ans, de 2001 à 2003, et ramène la voiture à son éclat d'origine de 1936. C'est lors du célèbre concours de Pebble Beach que la voiture décroche le titre suprême de « Best of Show ». Aujourd'hui, c'est cette même voiture qui fait l'objet de notre reproduction à l'échelle 1:8.

body. A slightly more conventional model was then developed from the prototype, with the body constructed using a traditional aluminium alloy, but the Aerolithe's "fins" were retained. However, the front section of the body was extensively modified with the addition of a new radiator.

On 2 September 1936, the first production model, the Type 57S Atlantic (the C was added later when the engine was fitted with a supercharger in 1939) was delivered to its first owner, Lord Victor Rothschild. The colour was an original, elegant metallic grey-blue that emanated an infinite range of hues. Rothschild loved taking his new pride and joy for a spin, so much so that he ended up damaging the engine. Now off the road, it remained in one of Rothschild's garages until it was eventually sold in 1941: these were the terrible war years, a car like the Atlantic appeared truly timeless. Several owners followed, the engine was replaced, and the car ended up in California, initially repainted red and then blue.

In 1971, the Atlantic was sold at auction to a doctor from Connecticut, Peter Williamson, who then spent two years, from 2001 to 2003, completely restoring it. The car was restored to its original 1936 condition and won "Best of Show" at the famous Pebble Beach Concours d'Elegance Awards. This is precisely the car that we've recreated with our 1:8 scale reproduction.

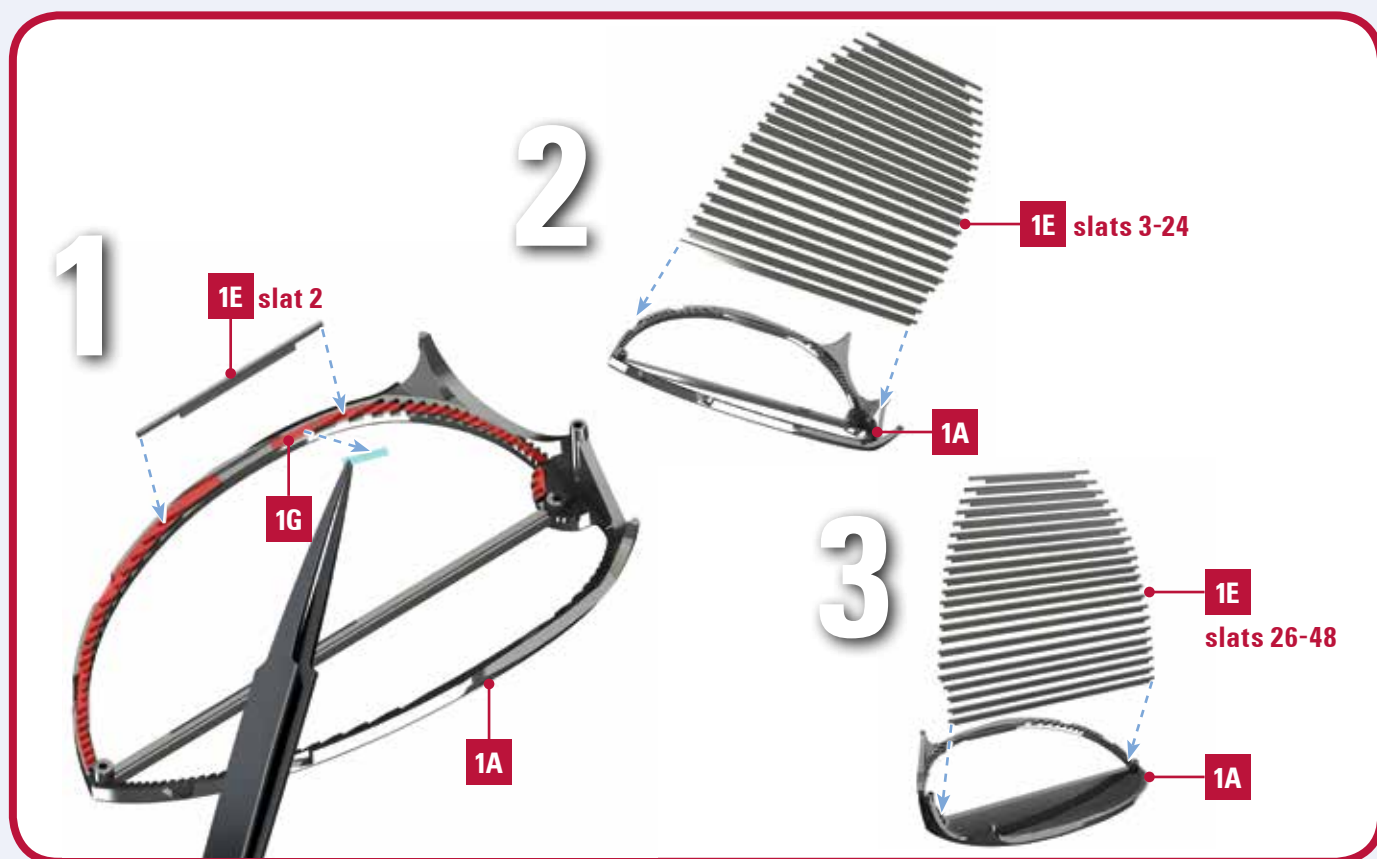
01 PARTS LIST



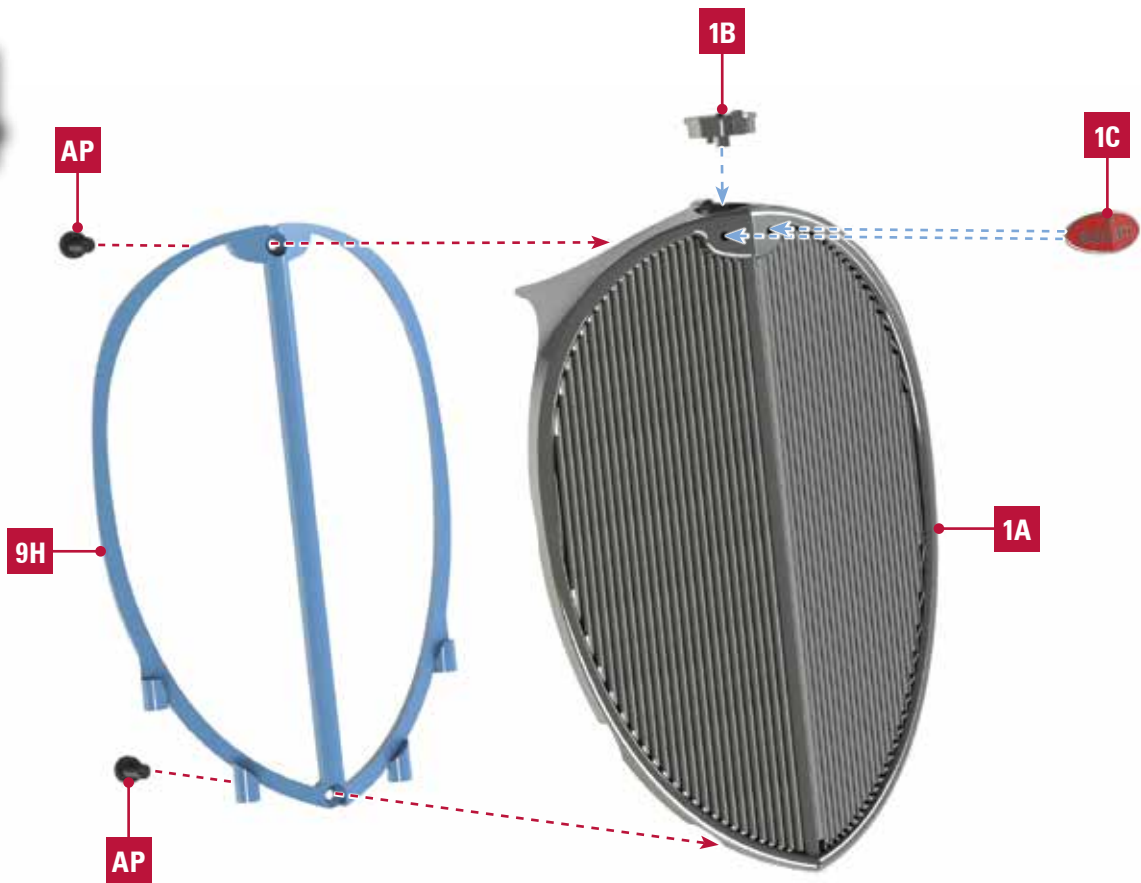
- 1A** Front grille
- 1B** Radiator cap
- 1C** "Bugatti" badge
- 1D** Front grille bracket

- 1E** Left side slats (t2-t24)
- 1F** Right side slats (t26-t48)
- 1G** Biadhesive strips

- SCREWS**
- AP** 3 screws
- TOOLS**
- Tweezers, screwdriver



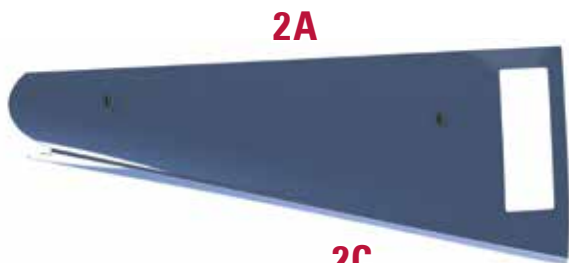
4



FINAL RESULT



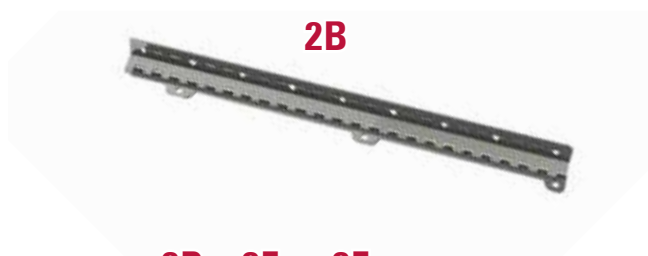
02 PARTS LIST



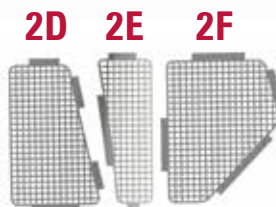
2A



2C



2B



2D

2E

2F



2G

2H

2I

2J



2K



ZM (x10)

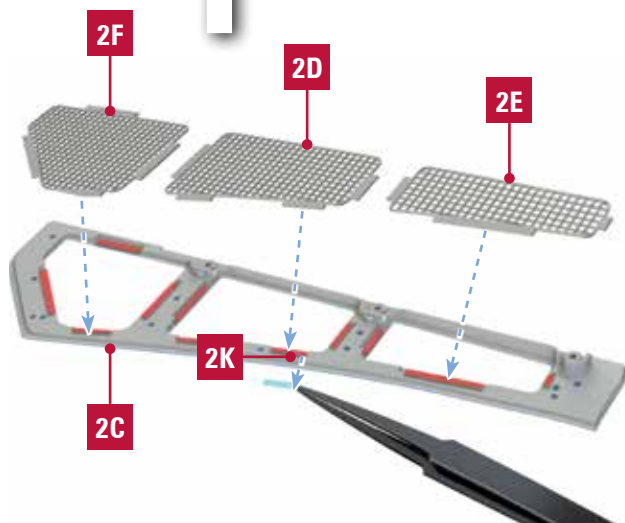
- 2A** Left upper engine hood
- 2B** Left enginehood hinge
- 2C** Left lower engine hood
- 2D** Left vent A
- 2E** Left vent B

- 2F** Left vent C
- 2G** Left engine handle
- 2H** Left lower chrome trims
- 2I** Left middle chrome trims
- 2J** Left upper chrome trims

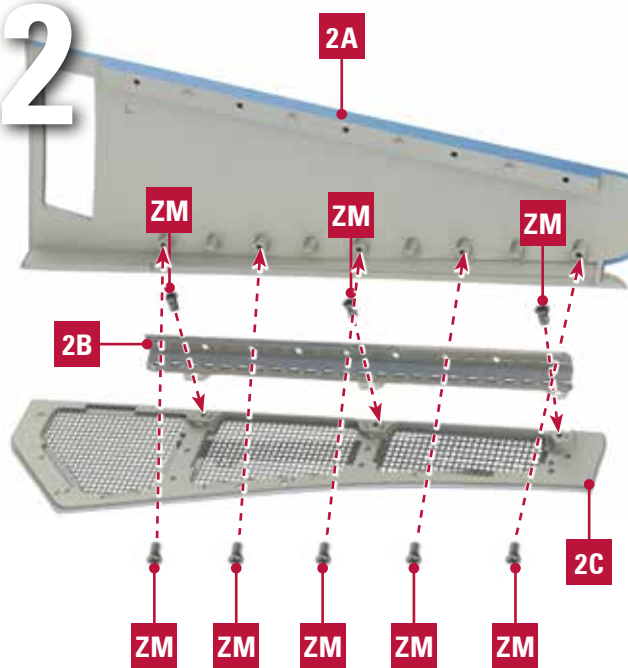
- 2K** Biadhesive strips

- SCREWS**
ZM 10 screws

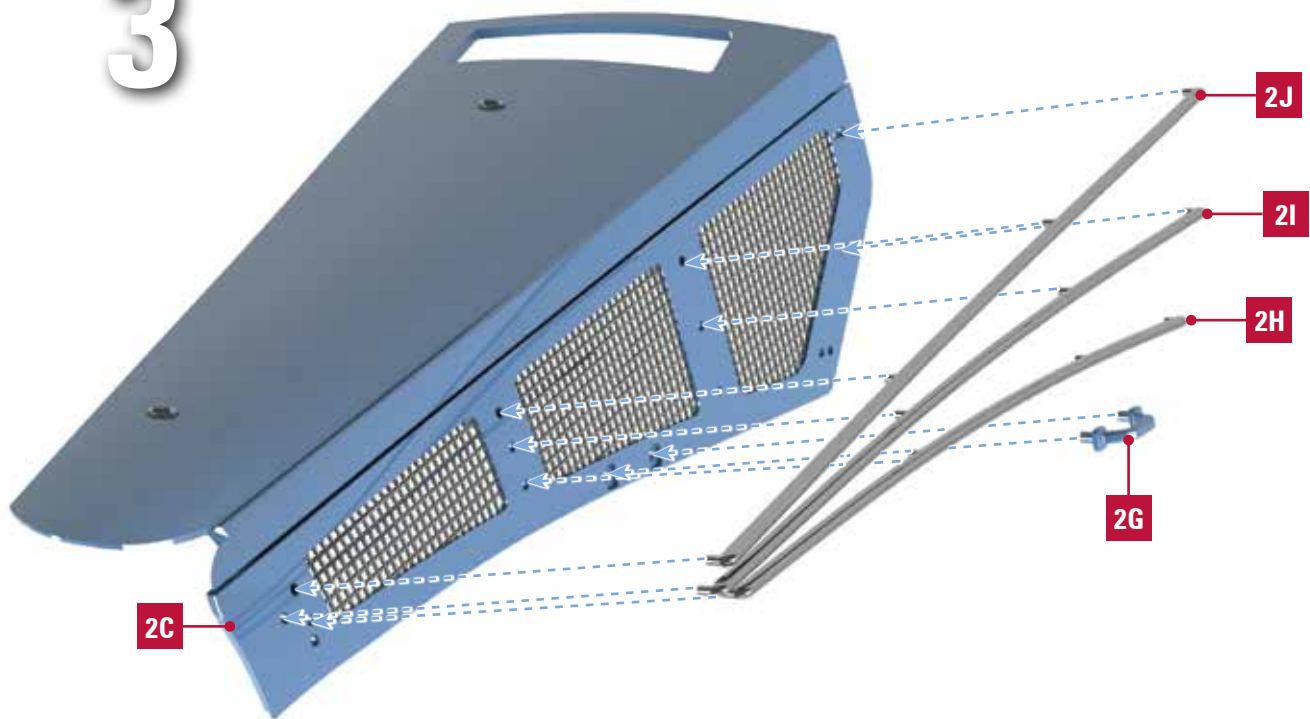
1



2



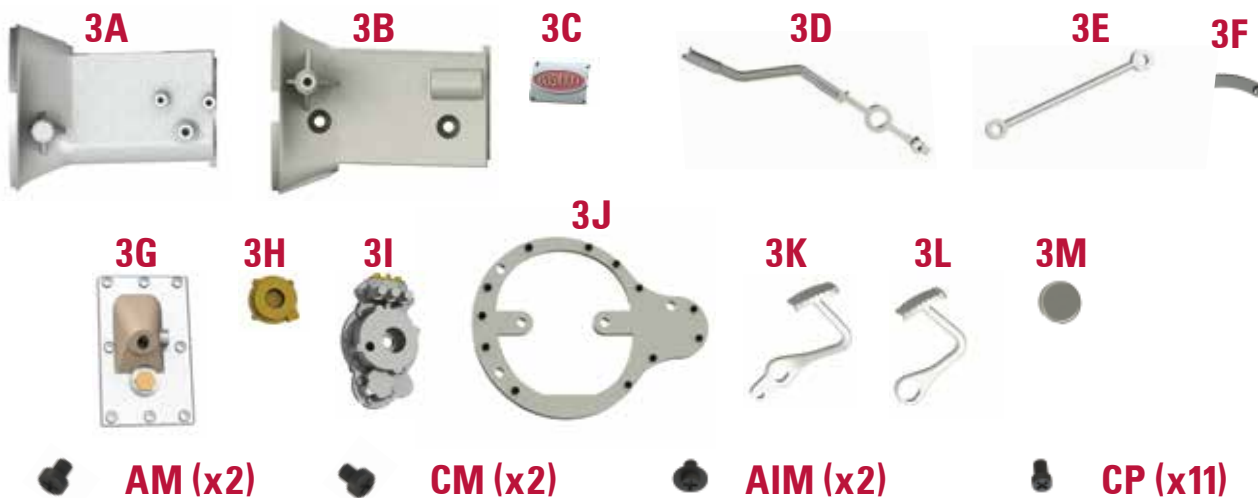
3



FINAL RESULT



03 PARTS LIST



3A Gear box left

3B Ger box right

3C "Bugatti" metal plate

3D Hand brake

3E Hand brake rod

3F Hand brake bracket

3G Gear shift base

3H Drive shaft joint

3I Gear box back cover

3J Gear box front bracket

3K Brake pedal

3L Clutch pedal

3M Pedal fixed

SCREWS

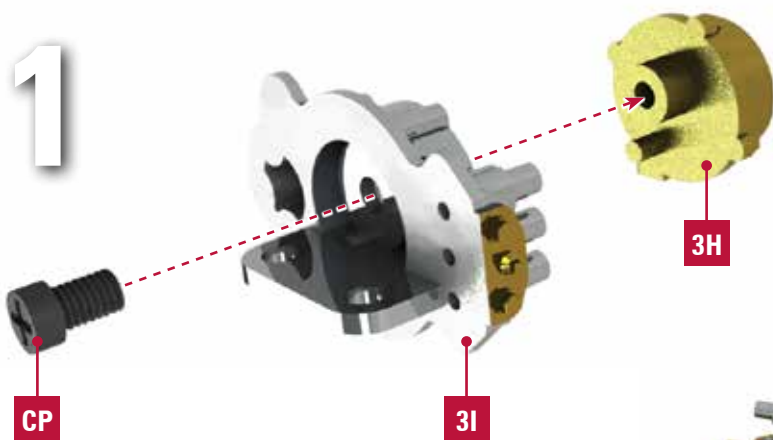
AM 2 screws

CM 11 screws

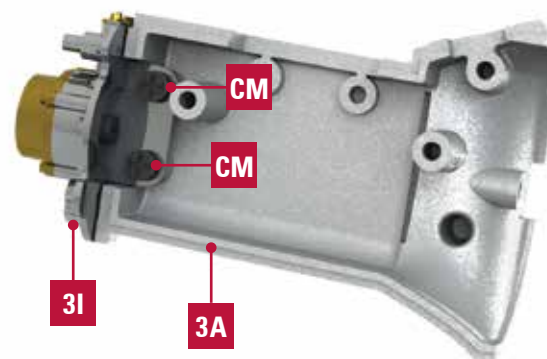
AIM 2 screws

CP 2 screws

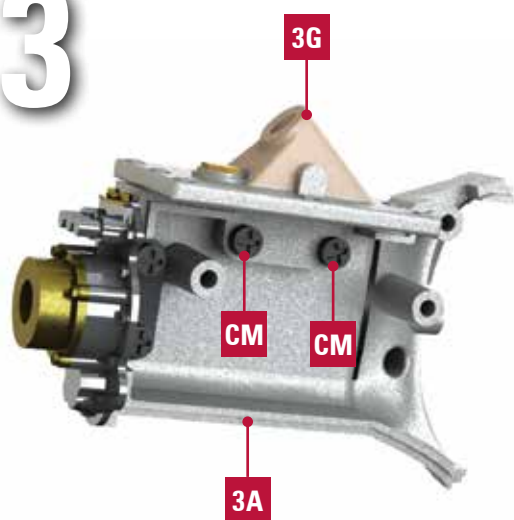
1



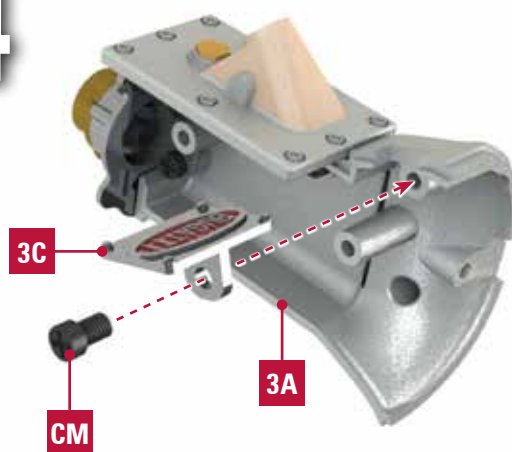
2



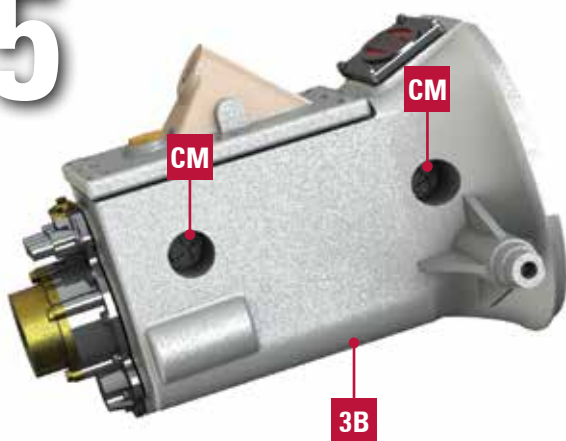
3



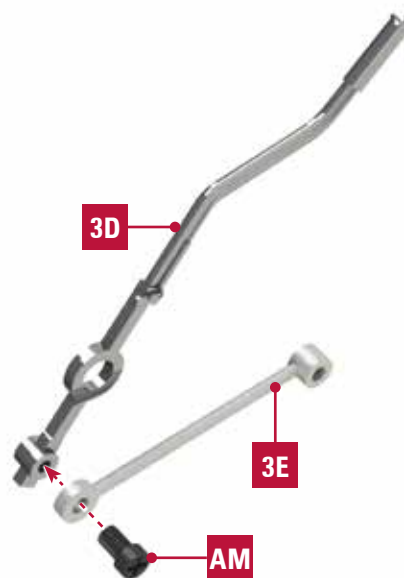
4



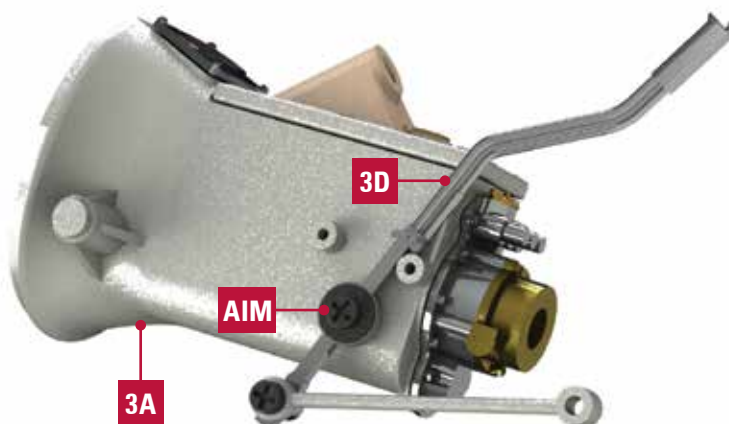
5



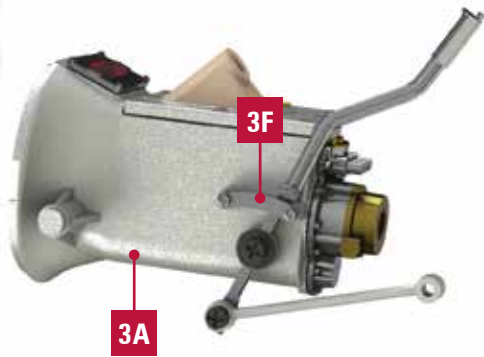
6



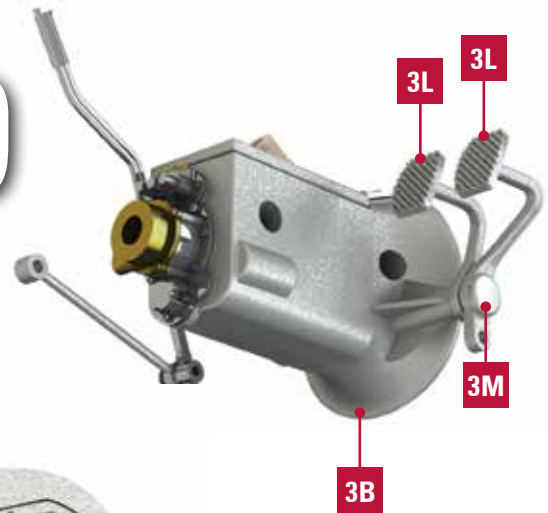
7



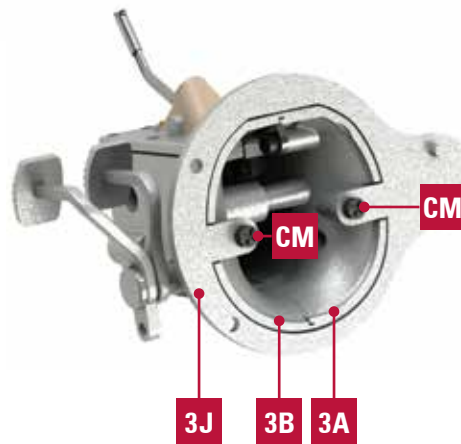
8



9



10



FINAL RESULT



3



FINAL RESULT

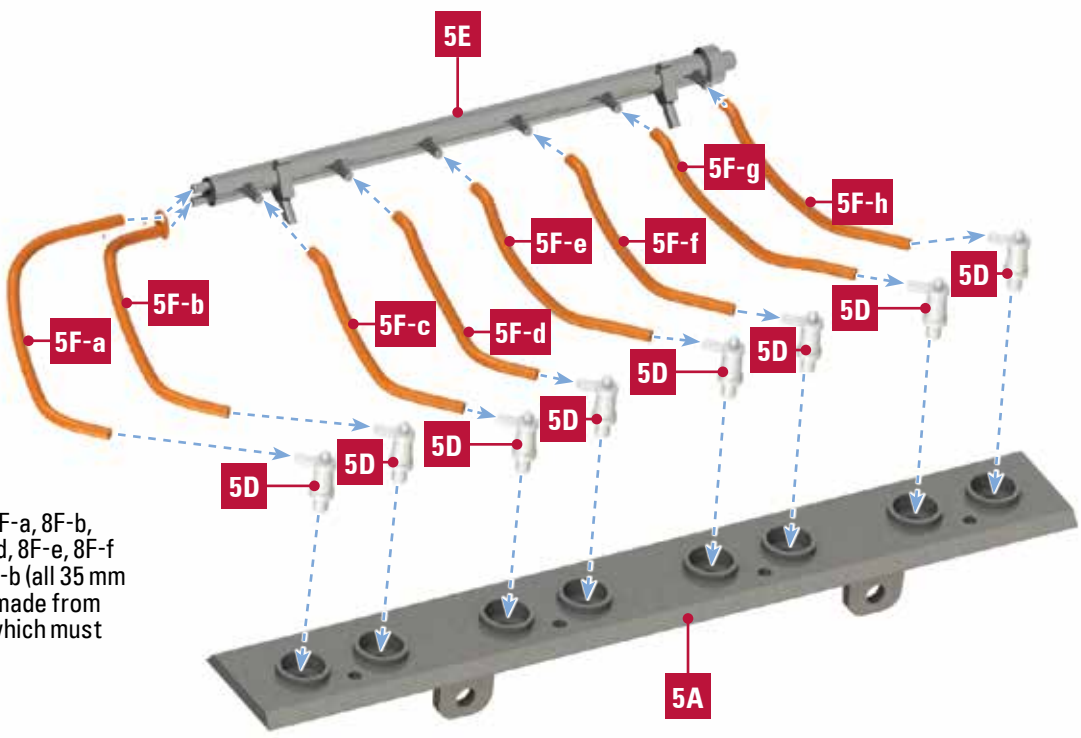


05 PARTS LIST



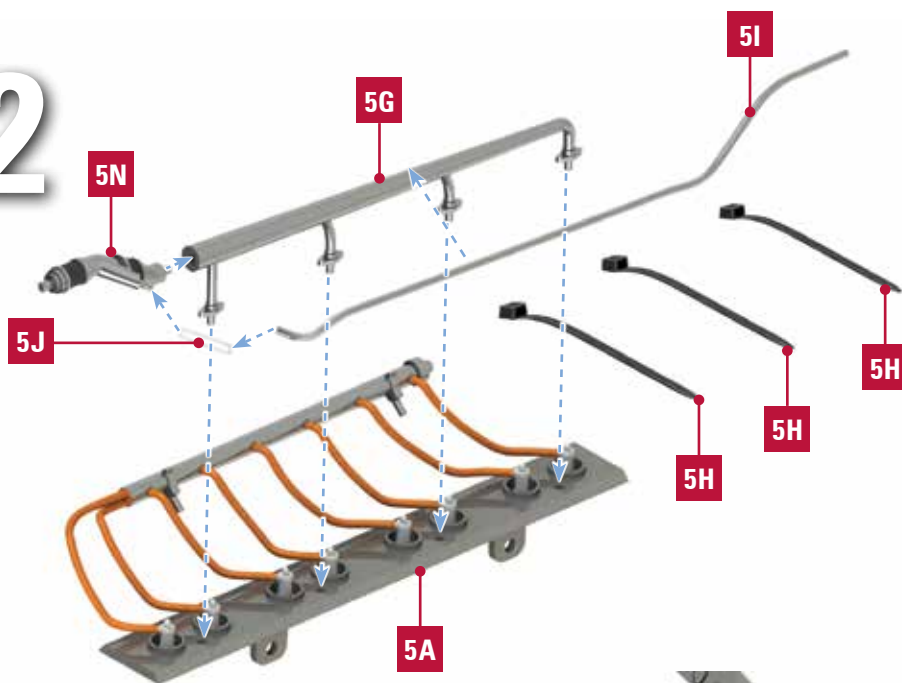
- | | | |
|---------------------------------|--|-------------------------------|
| 5A Engine top | 5G Cooling pipe | 5M Oil pump |
| 5B Fan pulley holder | 5H Left cylinder | 5N Radiator upper pipe |
| 5C Fan pulley holder cap | 5I Thin flexible pipe bracket | SCREWS |
| 5D Igniter | 5J Thin flexible pipe | CM 4 screws |
| 5E Distributor | 5K Thin flexible pipe connector | |
| 5F Igniter wire | 5L Oil filter | |

1



Components 8F-a, 8F-b, 8F-c, 8F-d, 8F-d, 8F-e, 8F-f and 8F-g and 9I-b (all 35 mm long) must be made from a single tube which must be cut.

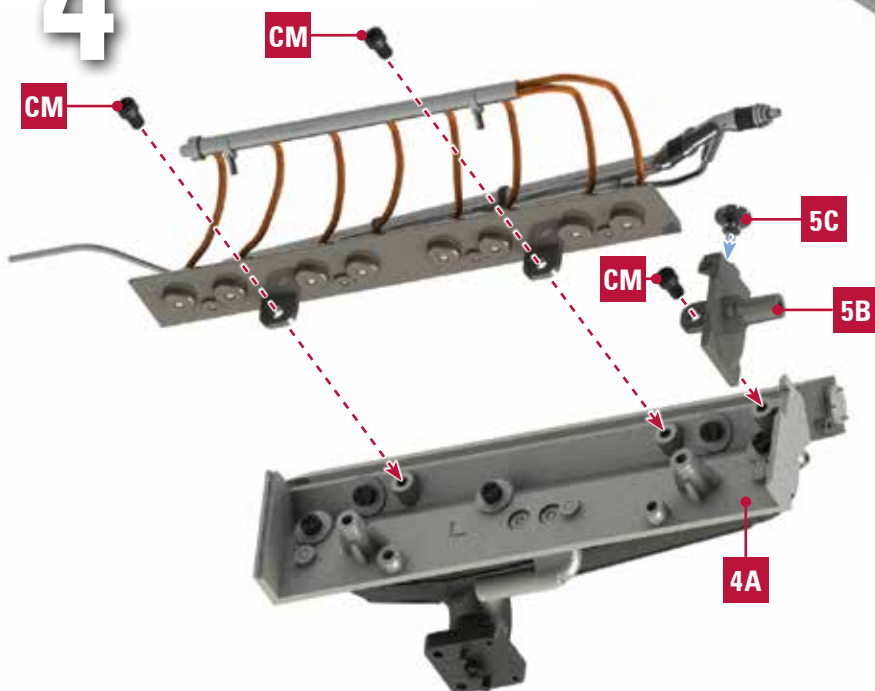
2



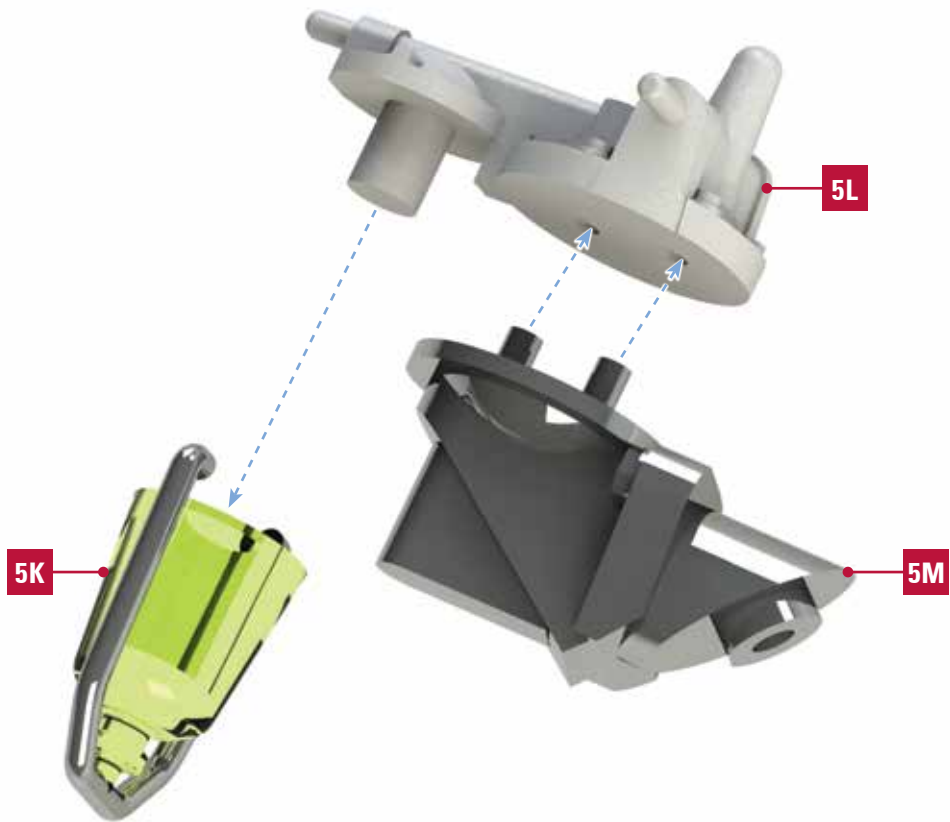
3



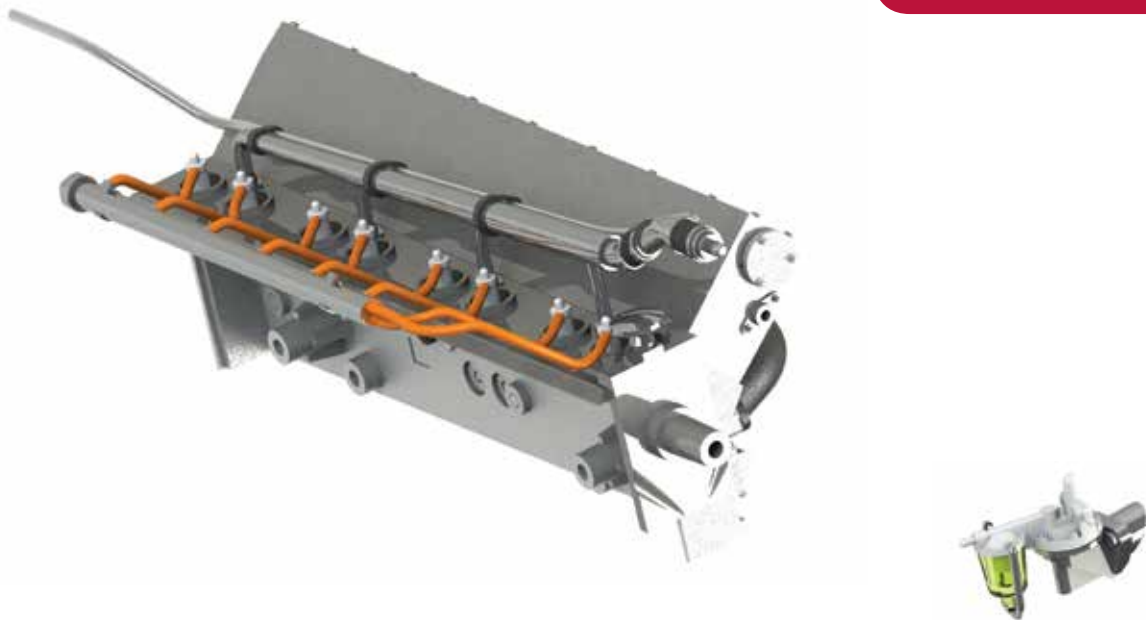
4



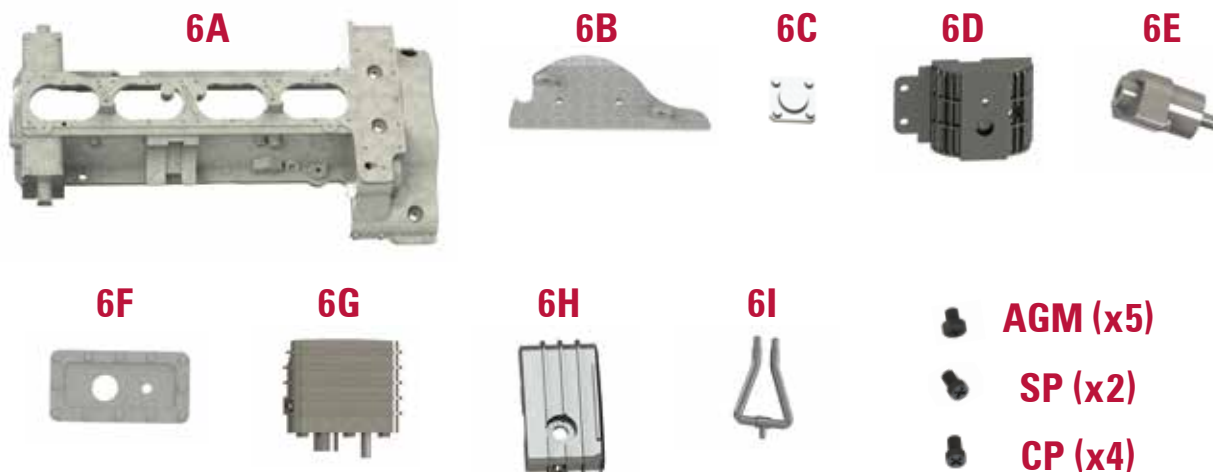
5



FINAL RESULT



06 PARTS LIST



6A Engine body top

6B Engine body top rear cover

6C Engine body top separate part

6D Filter top

6E Filter valve

6F Filter separator

6G Filter top air duct

6H Filter top air duct separate part

6I Hose A

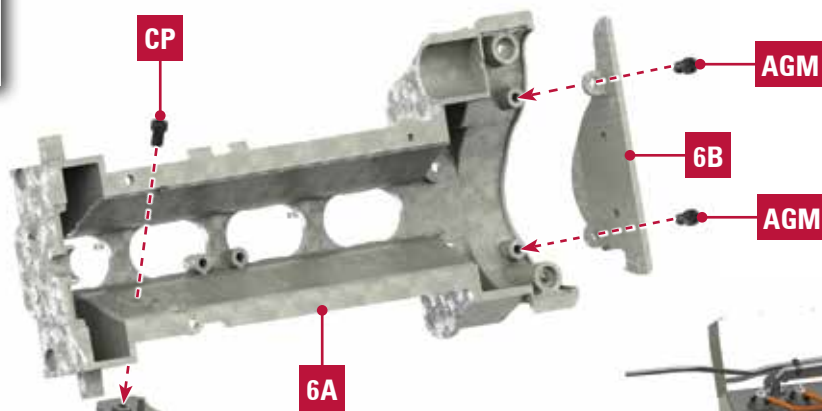
SCREWS

AGM 5 screws

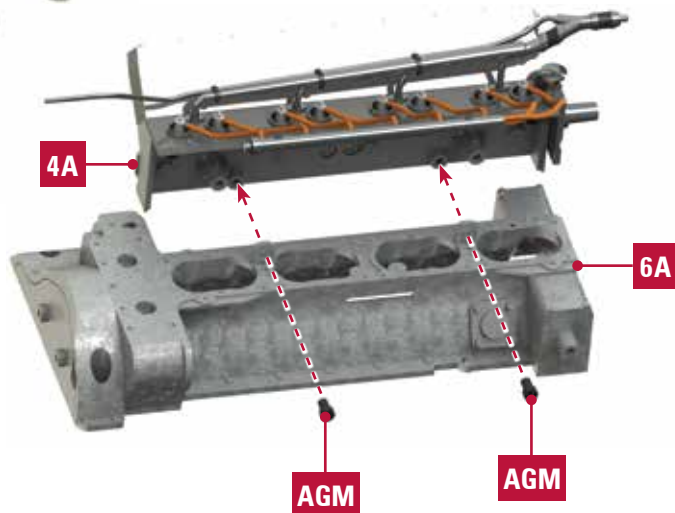
SP 2 screws

CP 4 screws

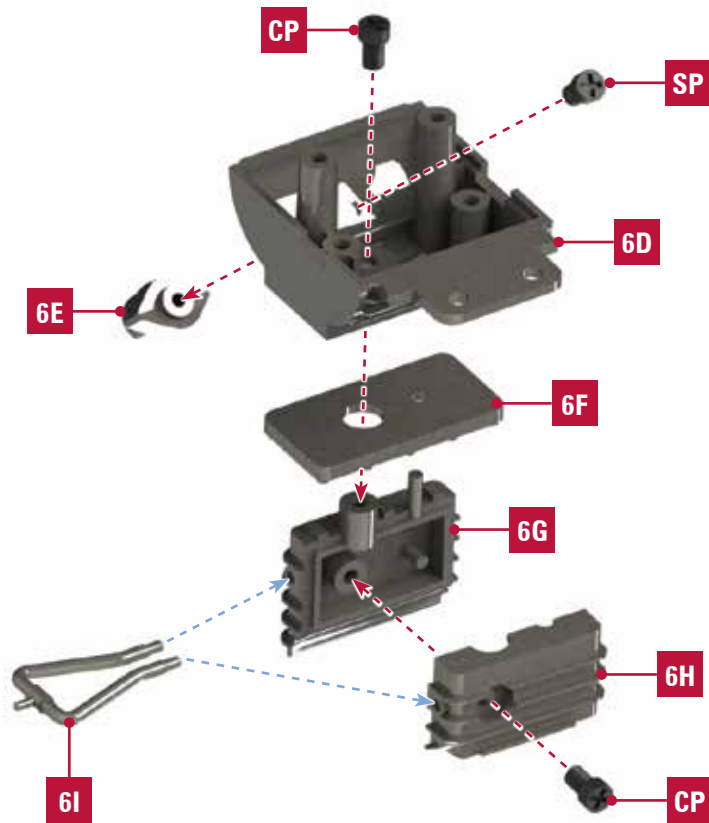
1



2



3



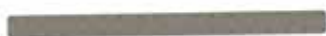
FINAL RESULT



07 PARTS LIST



7A



7B



7C



7D



7E

7F



7G

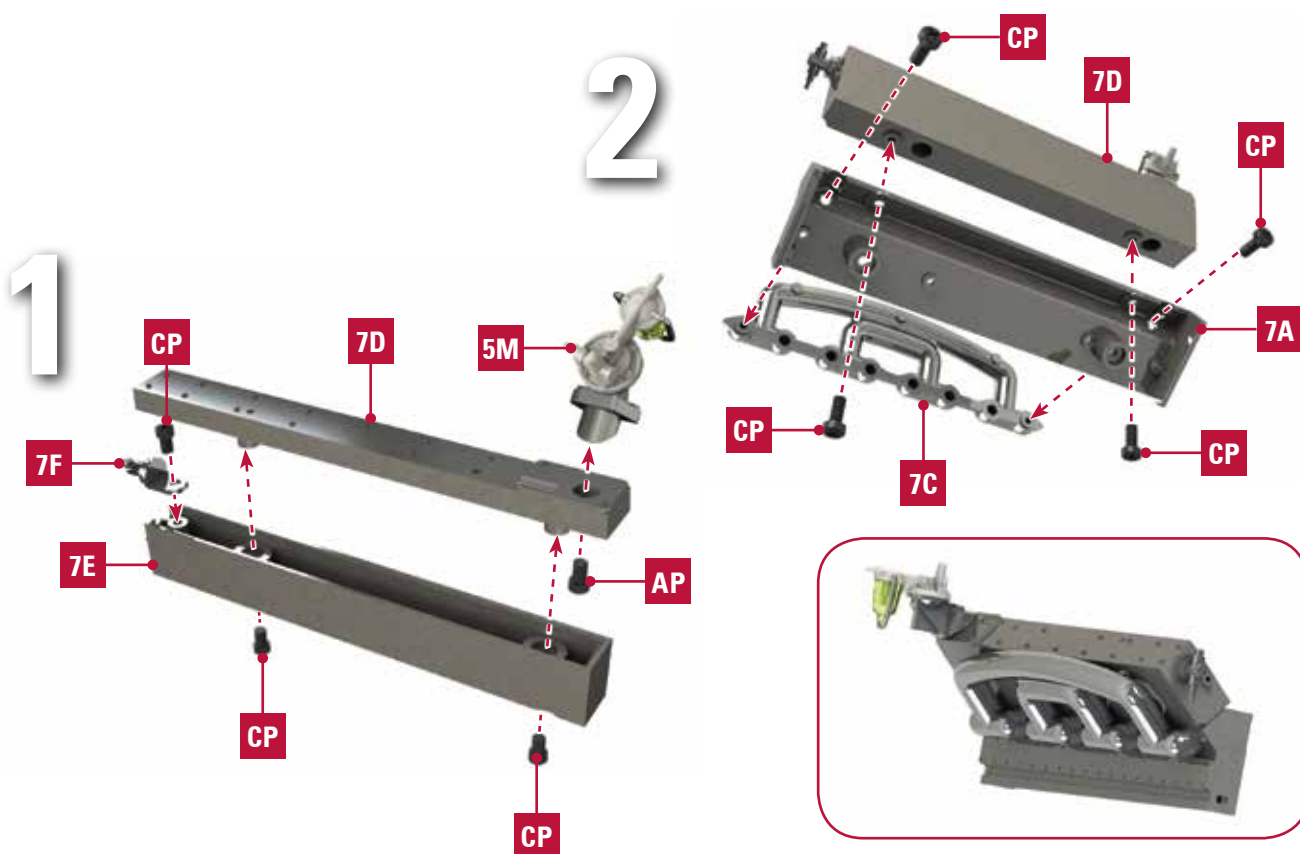


-  **AGM (x5)**
-  **AP (x2)**
-  **CP (x9)**

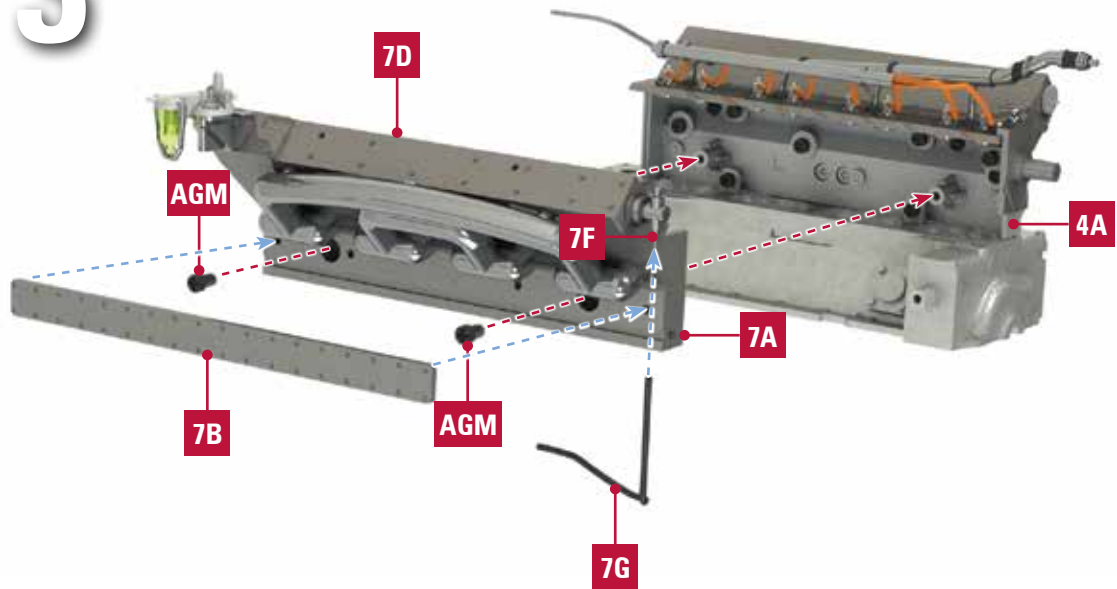
- 7A** Right cylinder head
- 7B** Right cylinder head panel
- 7C** Intake manifold
- 7D** Right cylinder cover

- 7E** Right cylinder
- 7F** Cylinder cover separate part
- 7G** Cylinder cover separate part hose

- SCREWS**
- AGM** 5 screws
 - AP** 2 screws
 - CP** 9 screws



3



FINAL RESULT



08 PARTS LIST



8A



8B



8C



8D



8E



8F



8G



8H



8I



8J



8K



8L



8M



8N



8O

AGM (x3)

CP (x7)

DP (x3)

8A Filter front cover

8B Filter front plate

8C Filter ventilation duct 1

8D Filter ventilation duct 2

8E Filter ventilation duct 31

8F Filter back plate

8G Filter body

8H Hose A

8I Carburetor inner body

8J Carburetor outer body

8K Carburetor control level A

8L Carburetor control level B

8M Carburetor adaptor

8N Air inlet grille

8O Fuel pipe

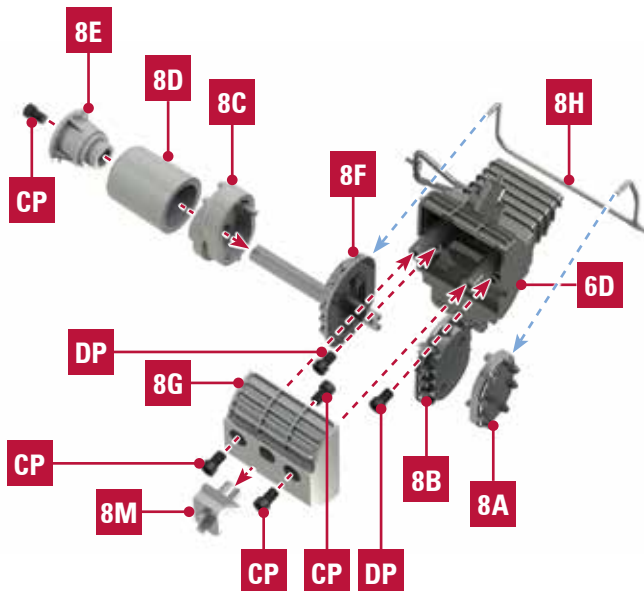
SCREWS

AGM 3 screws

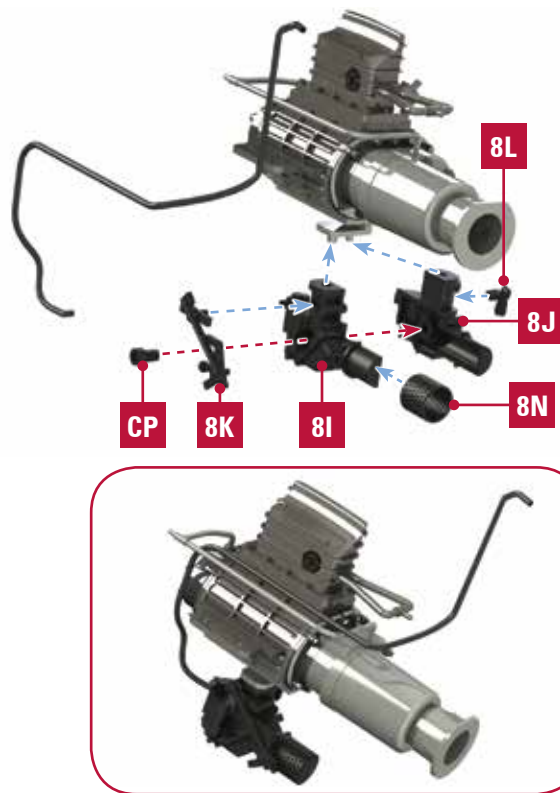
SP 7 screws

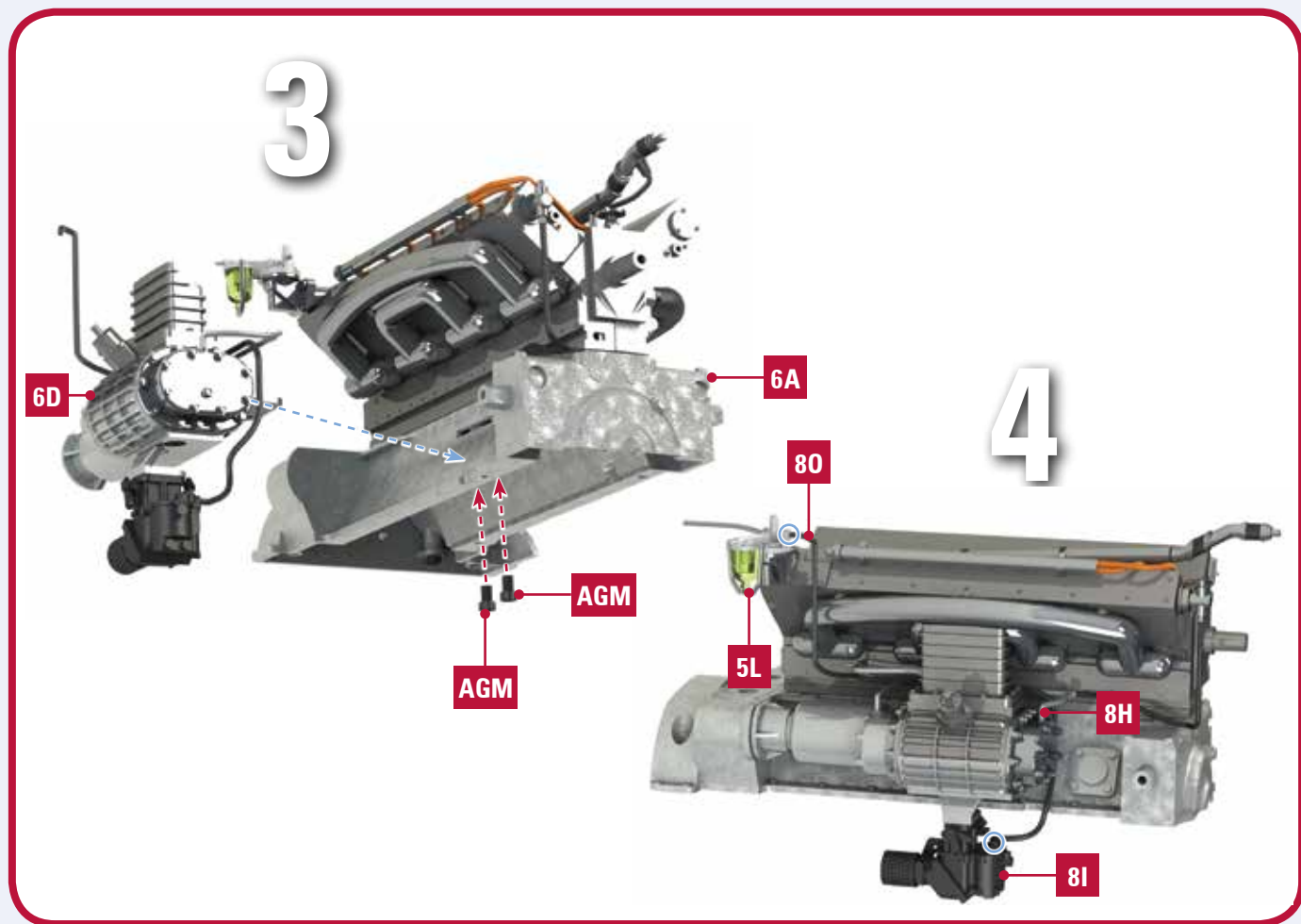
CP 3 screws

1



2

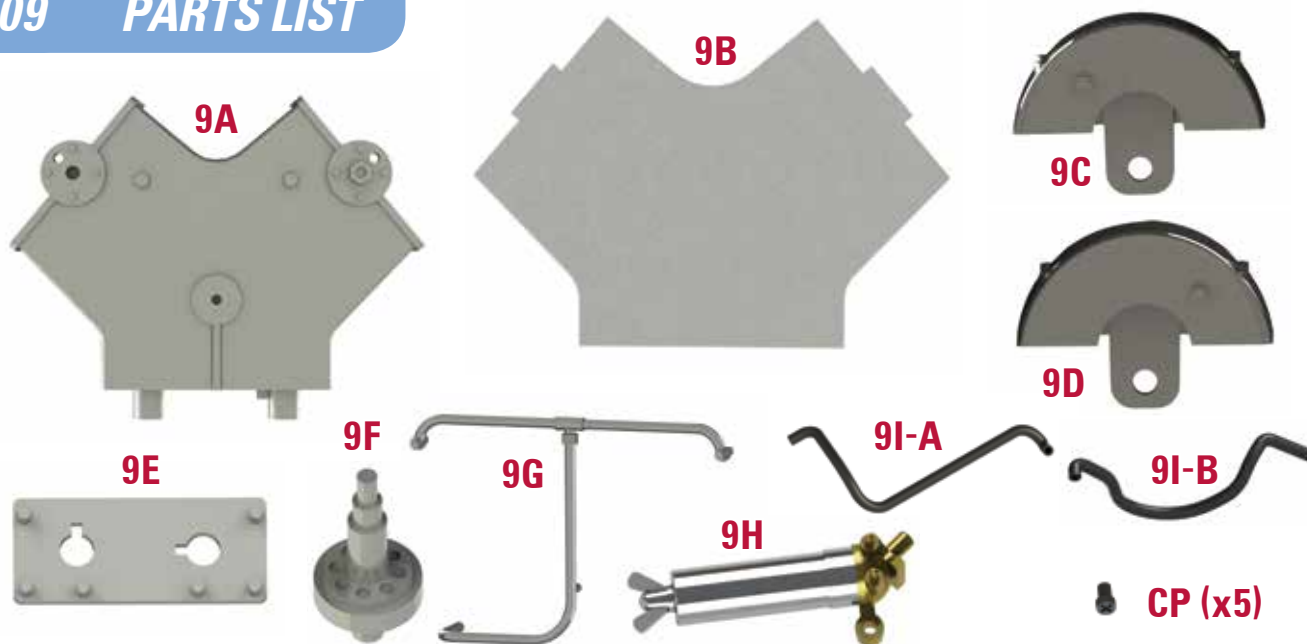




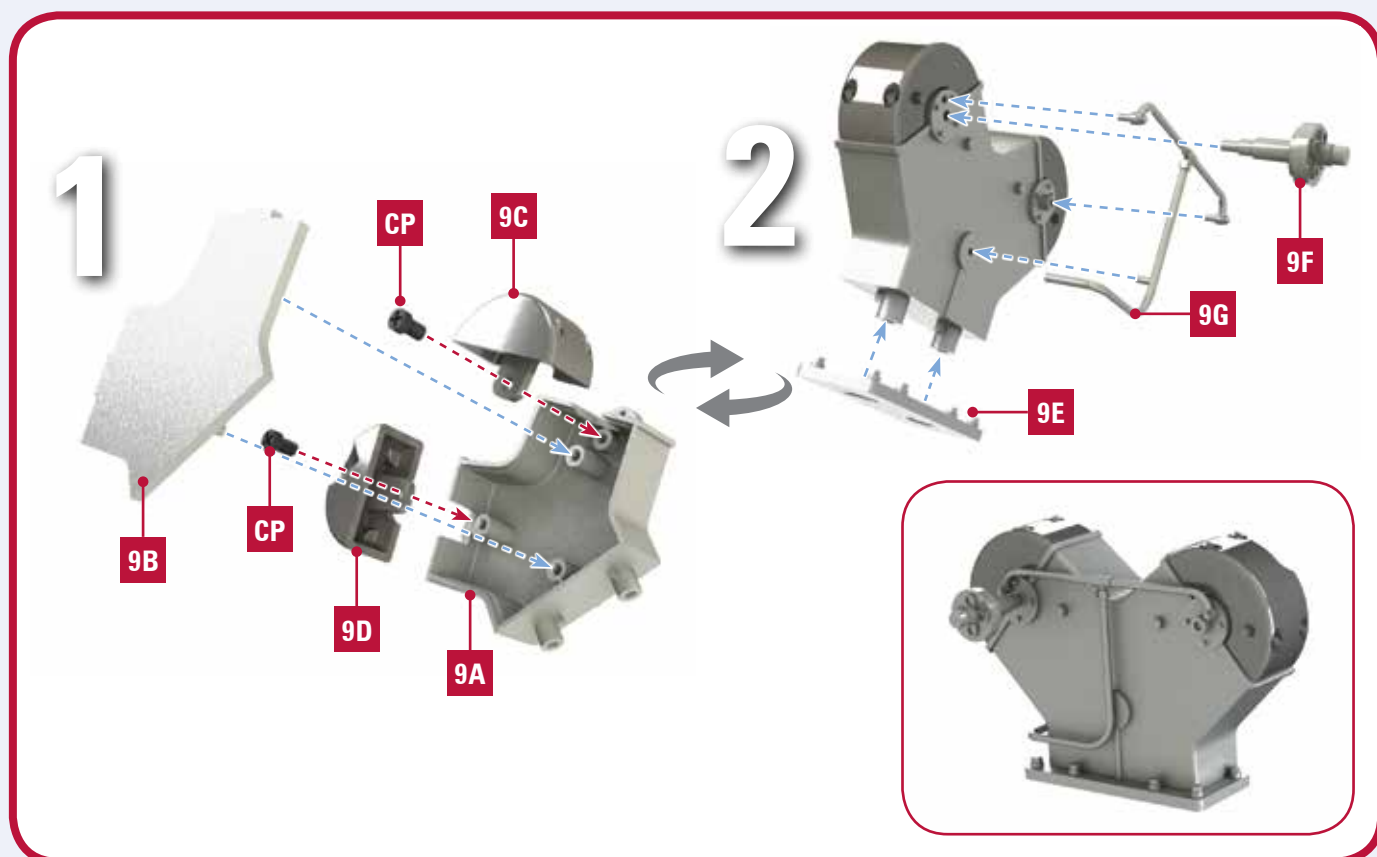
FINAL RESULT

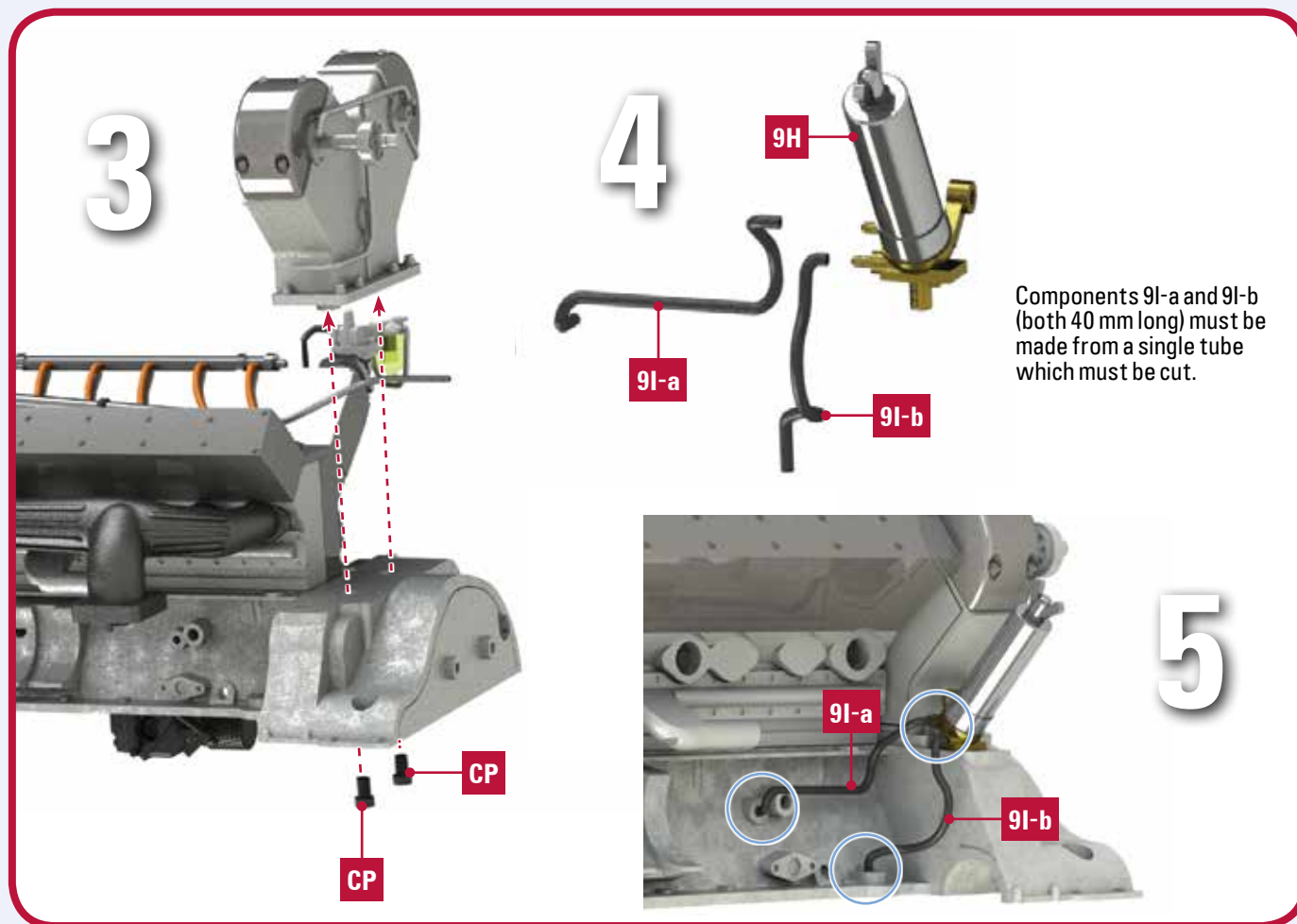


09 PARTS LIST

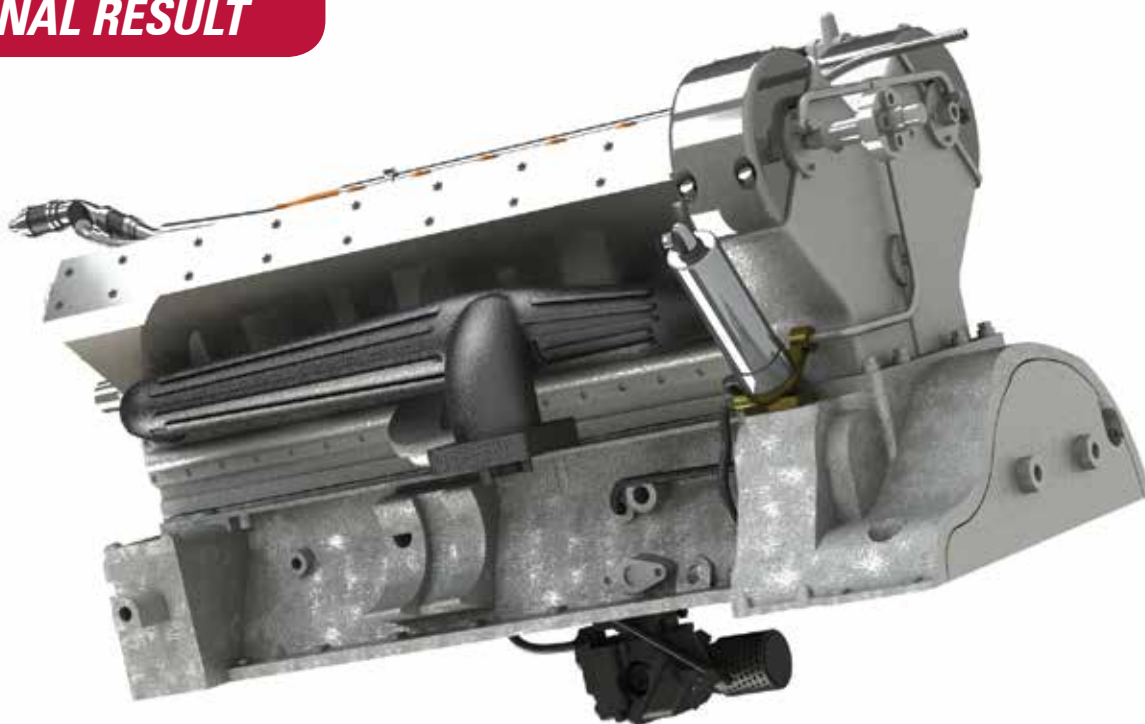


- | | | | | | |
|-----------|----------------------------|-----------|-------------------|---------------|-----------------|
| 9A | Timing box | 9E | Timing box base | 9I-a | Oil tank hose A |
| 9B | Timing box front cover | 9F | Timing box detail | 9I-b | Oil tank hose B |
| 9C | Timing box left top cover | 9G | Timing box hose | SCREWS | |
| 9D | Timing box right top cover | 9H | Oil tank | CP | 5 screws |





FINAL RESULT

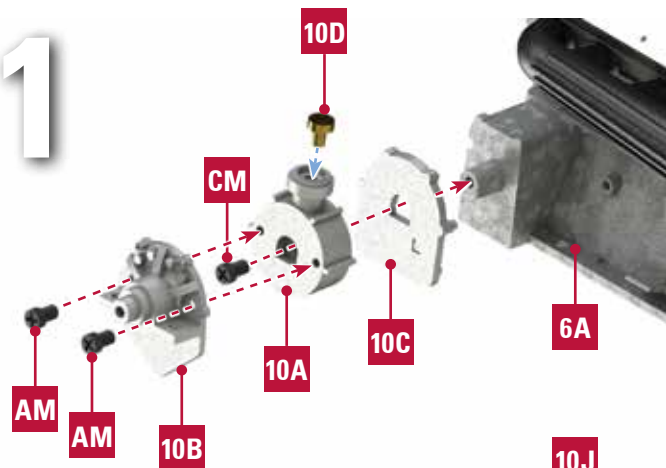


10 PARTS LIST

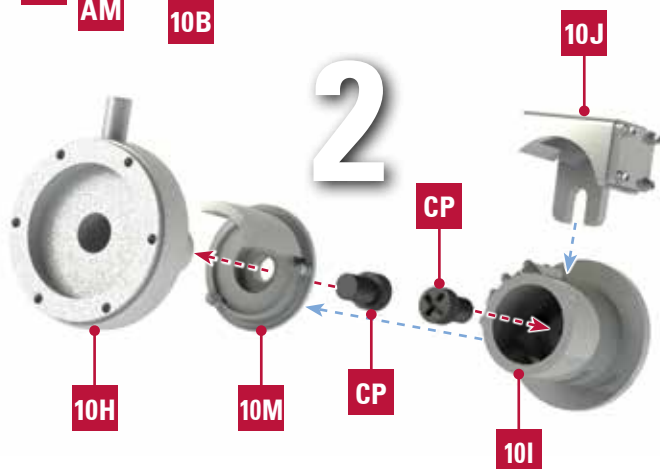


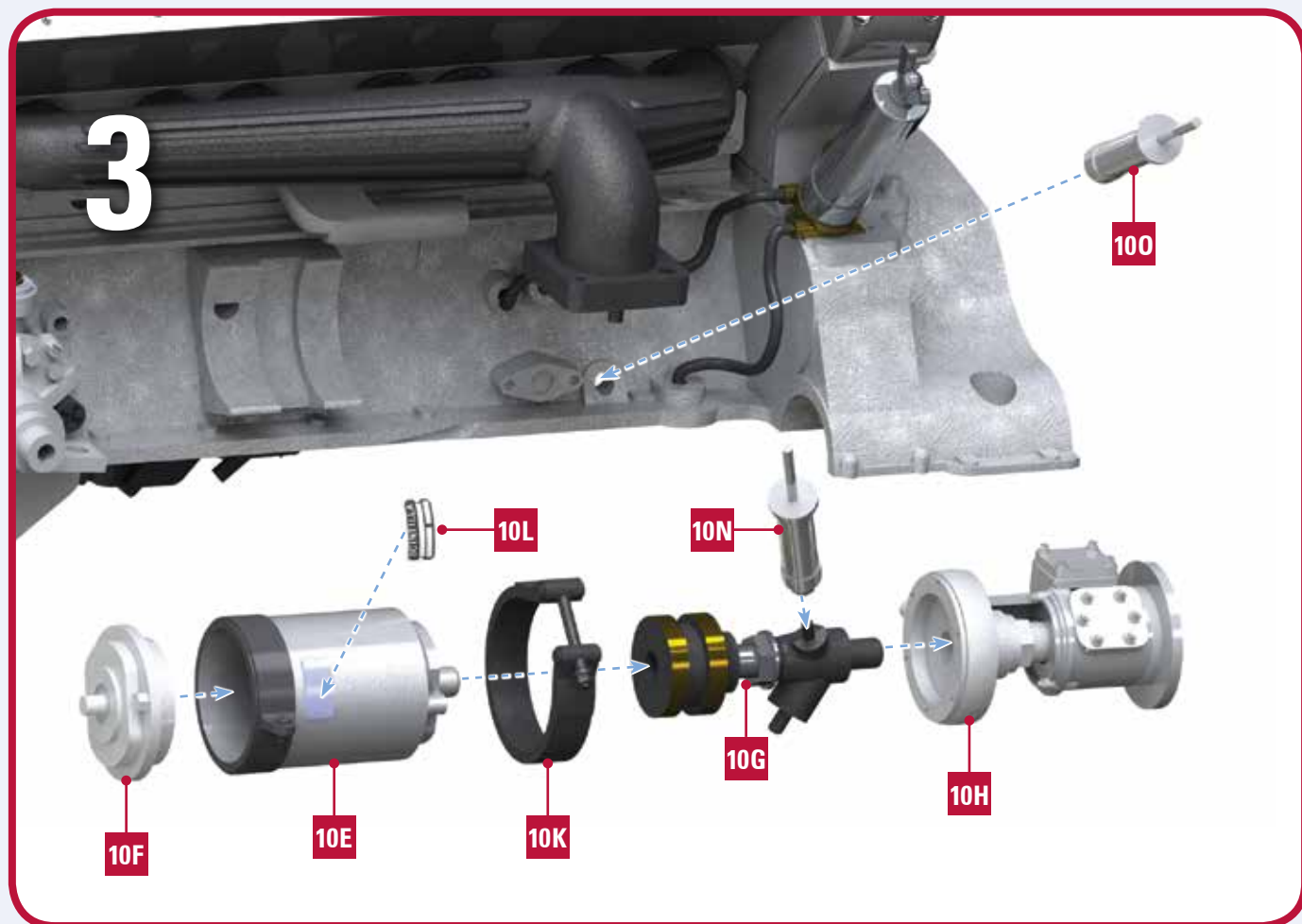
- | | | | |
|--|------------------------------------|---|--|
| 10A Engine left holder | 10F Compressor front cover | 10J Compressor motor side cover | lubrication pump A |
| 10B Engine left holder outer braket | 10G Compressor rear shaft A | 10K Compressor fixation | 10O Crankshaft lubrication pump B |
| 10C Engine left holder inner braket | 10H Compressor rear axle B | 10L Nameplate (x2) | SCREWS |
| 10D Engine holder cap | 10I Compressor motor | 10M Compressor motor front cover | AM 3 screws |
| 10E Compressor | | 10N Crankshaft | CM 2 screws |
| | | | CP 3 screws |

1

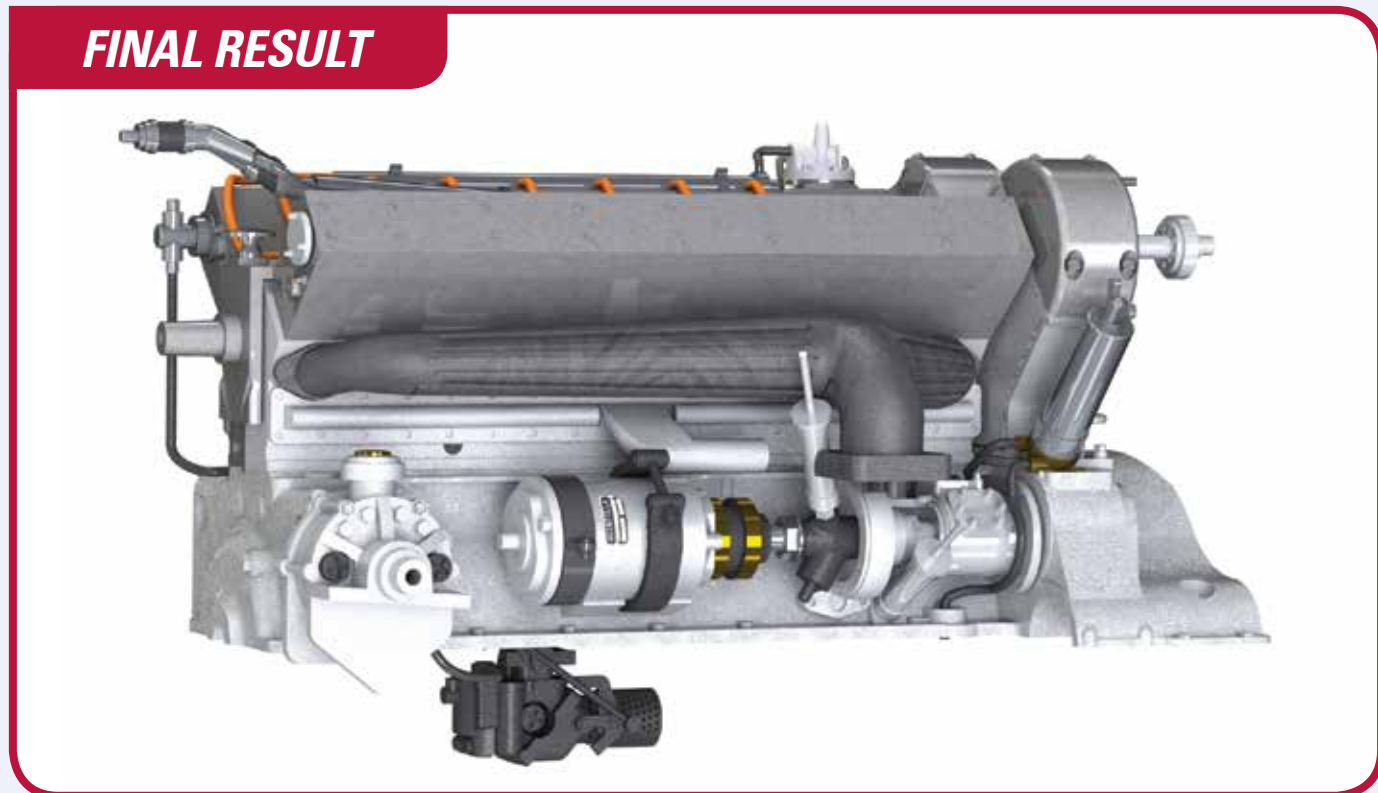


2

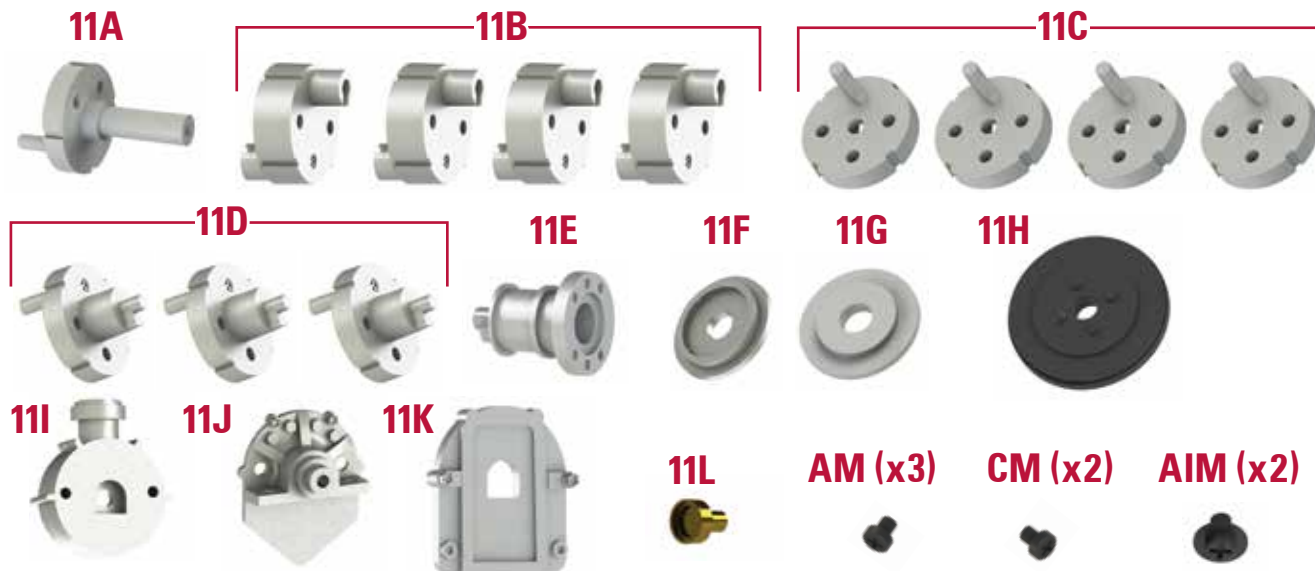




FINAL RESULT



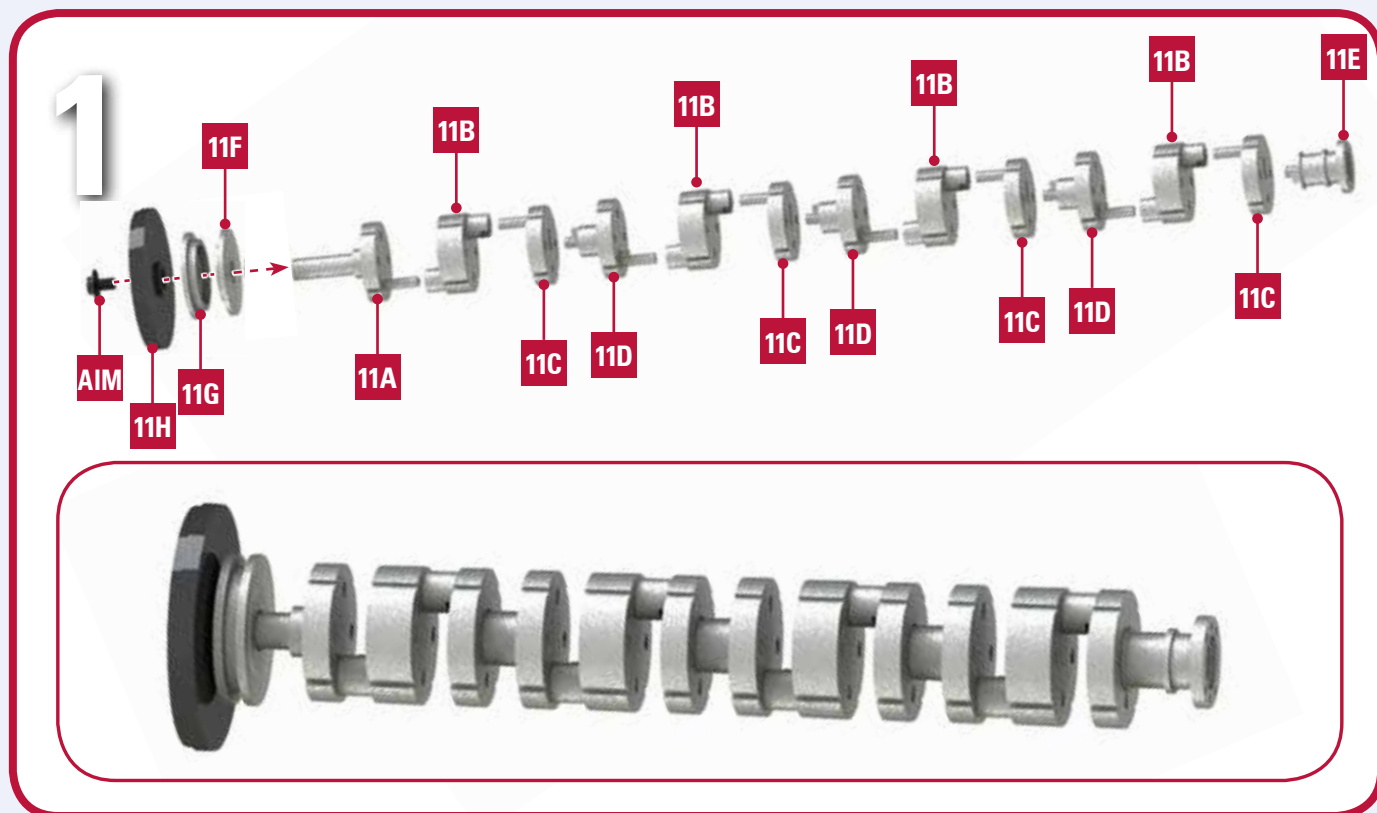
11 PARTS LIST

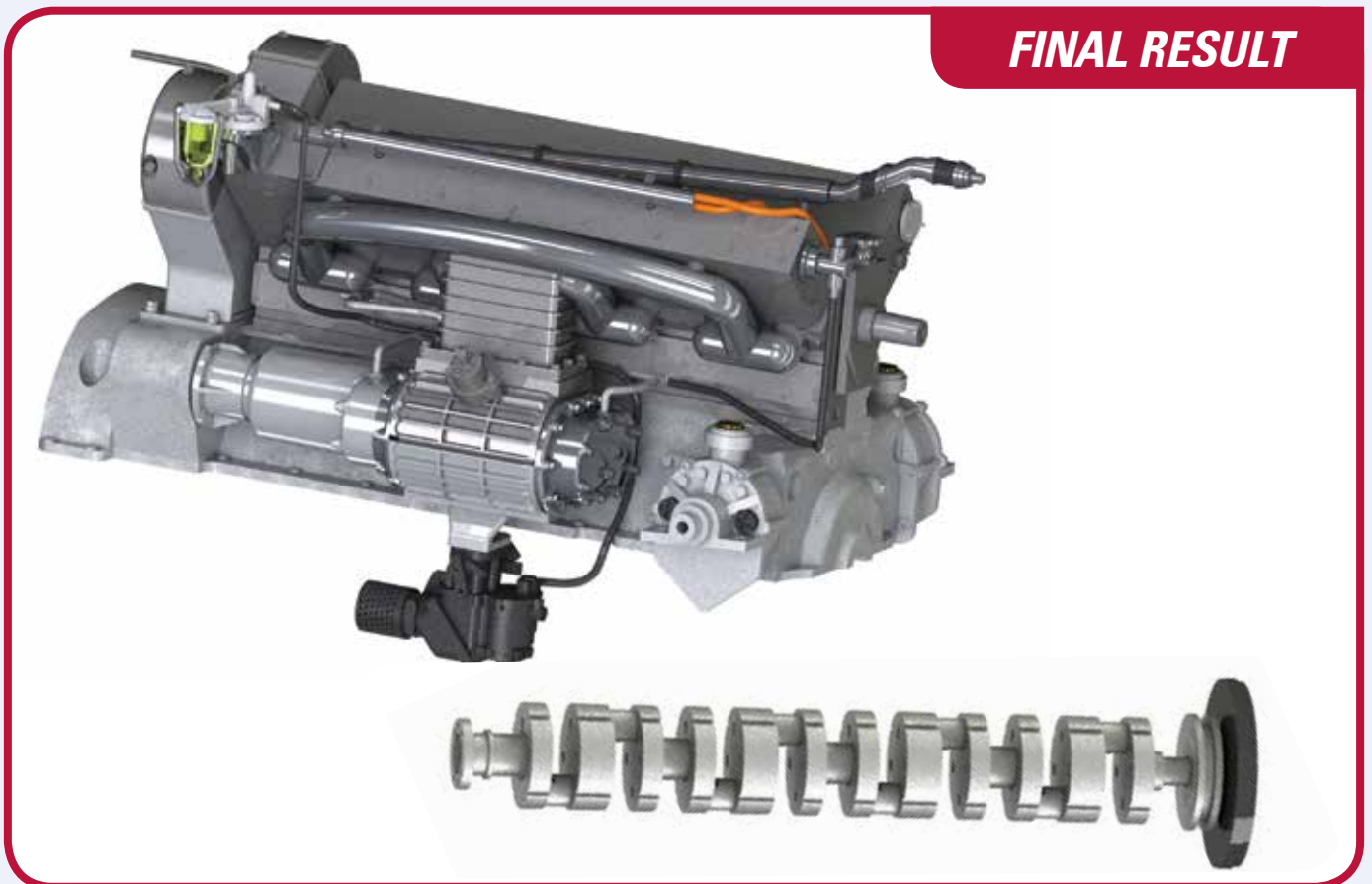
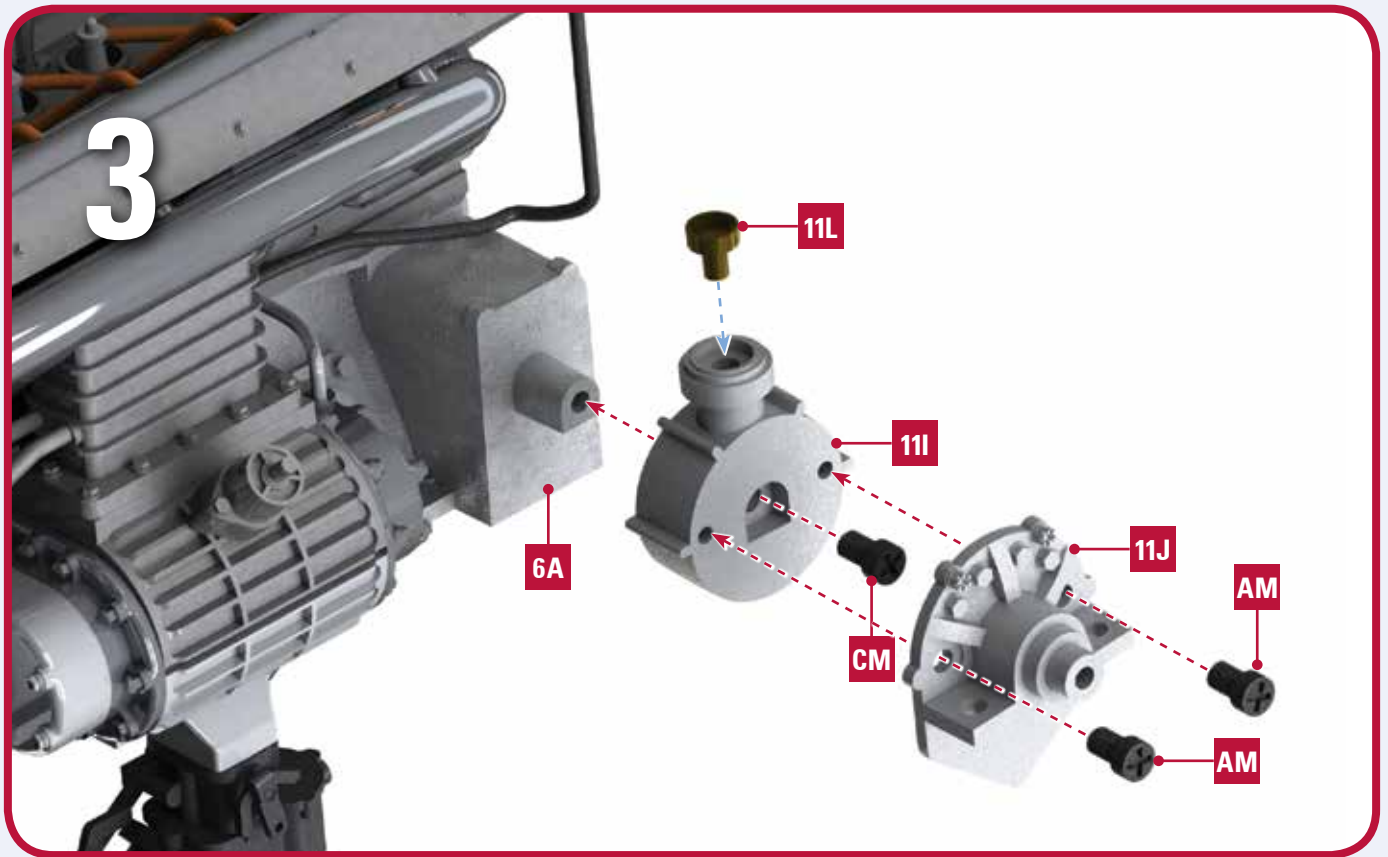


- 11A** Crankshaft fitting 1
- 11B** Crankshaft fitting 2 (x4)
- 11C** Crankshaft fitting 3 (x4)
- 11D** Crankshaft fitting 4 (x3)
- 11E** Crankshaft fitting 5
- 11F** Crankshaft with belt pulley

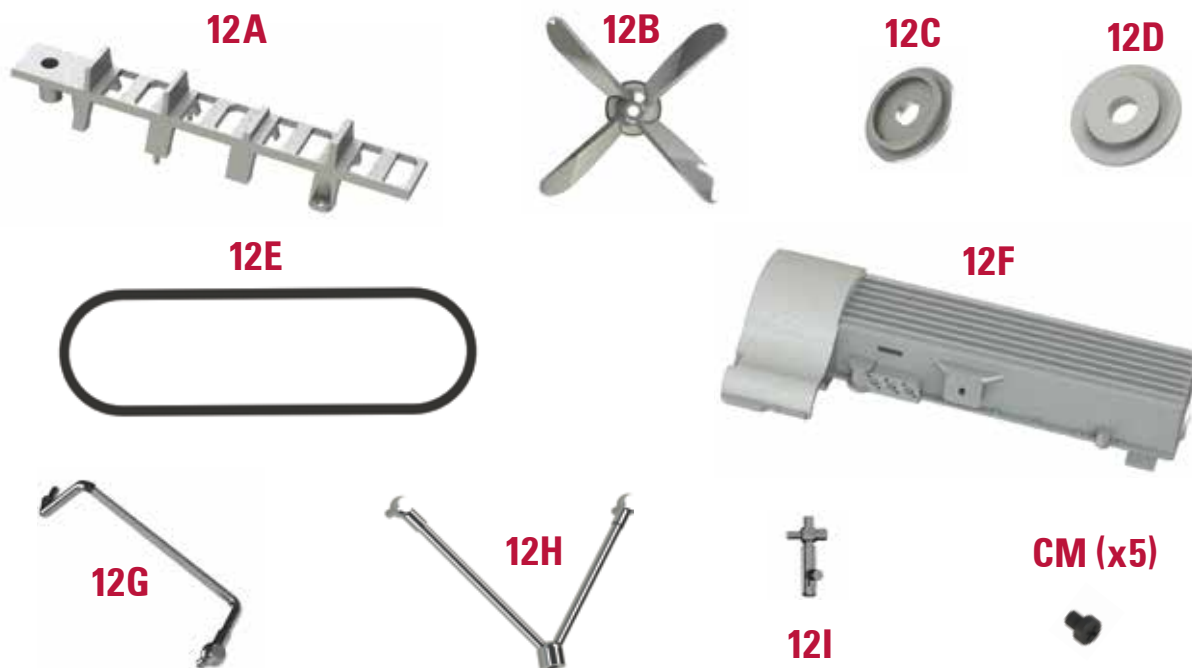
- 11G** Crankshaft with belt pulley
- 11H** Flywheel
- 11I** Engine right holder
- 11J** Engine right holder outer bracket
- 11K** Engine right holder inner bracket

- 11L** Engine holder cap
- SCREWS**
- AM** 3 screws
- CM** 2 screws
- AIM** 2 screws





12 PARTS LIST

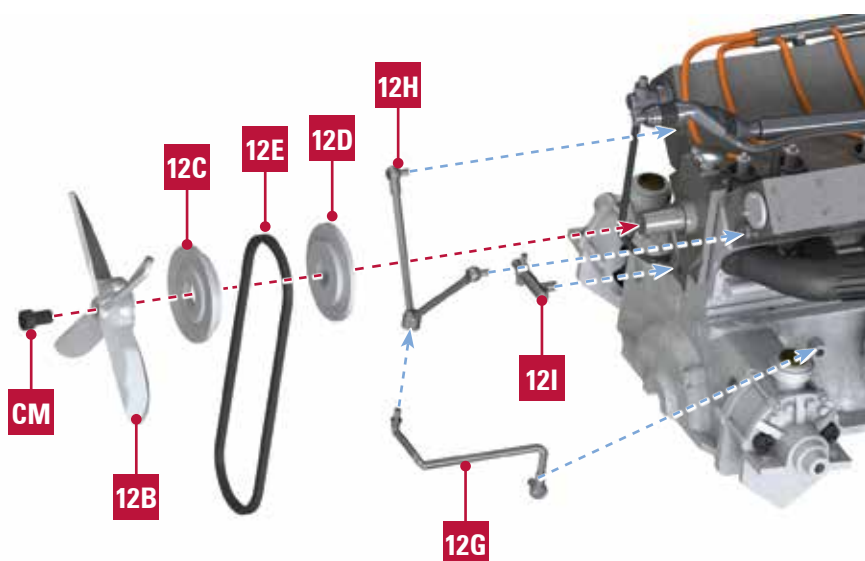


- 12A** Crankshaft holder
- 12B** Fan
- 12C** Outside fan pulley
- 12D** Inside fan pulley
- 12E** Belt
- 12F** Oil pan

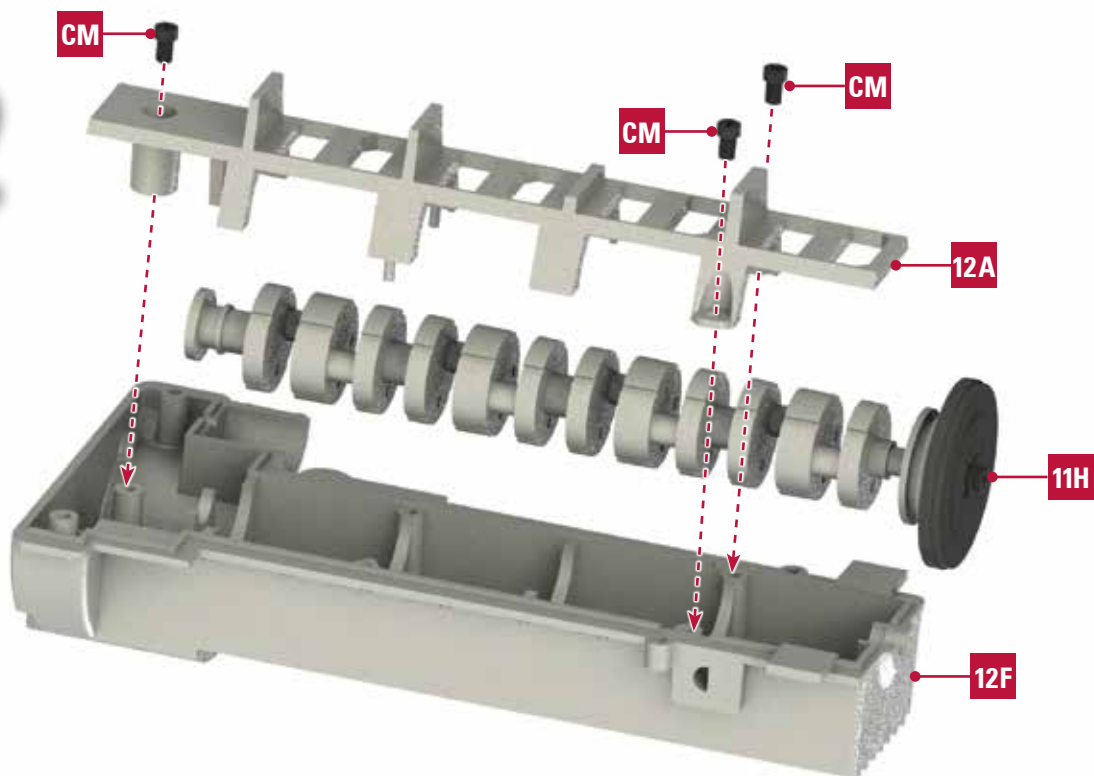
- 12G** Engine front pipe A
- 12H** Engine front pipe B
- 12I** Tap

- SCREWS**
CM 5 screws

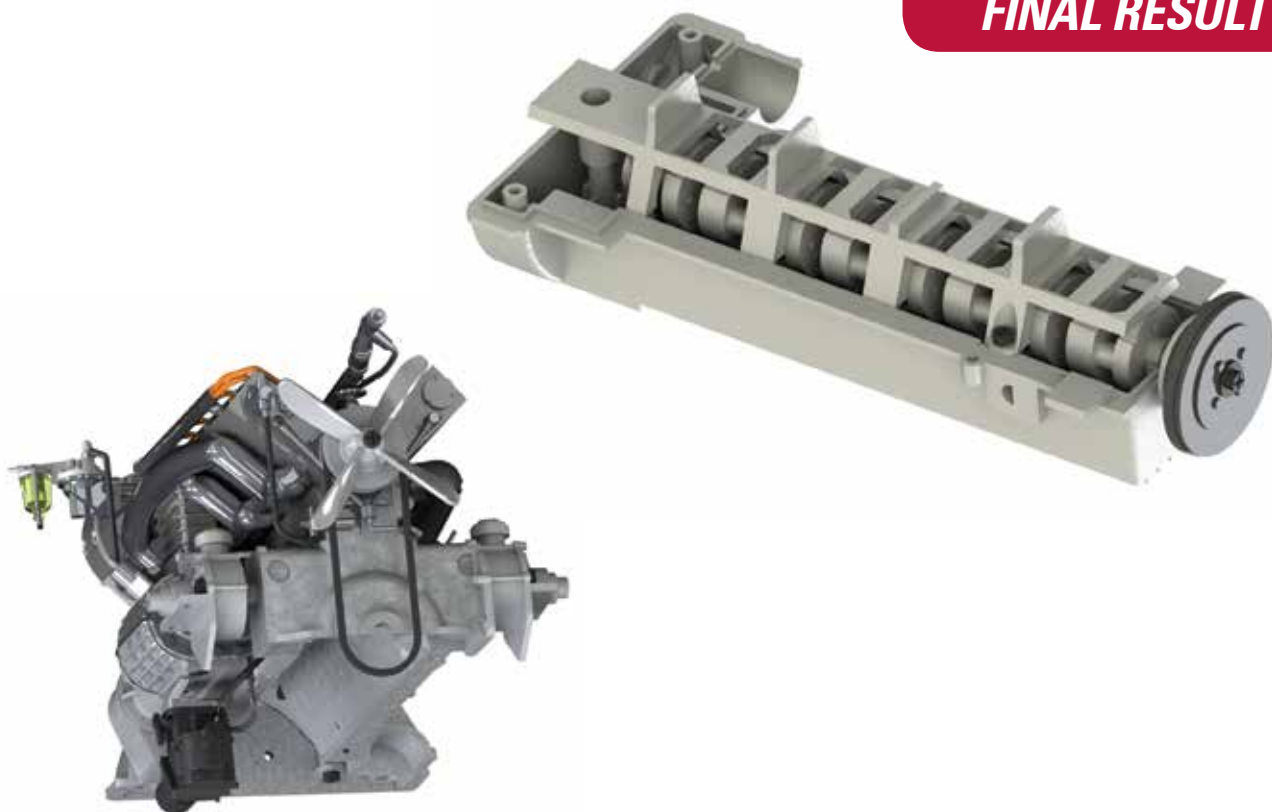
1



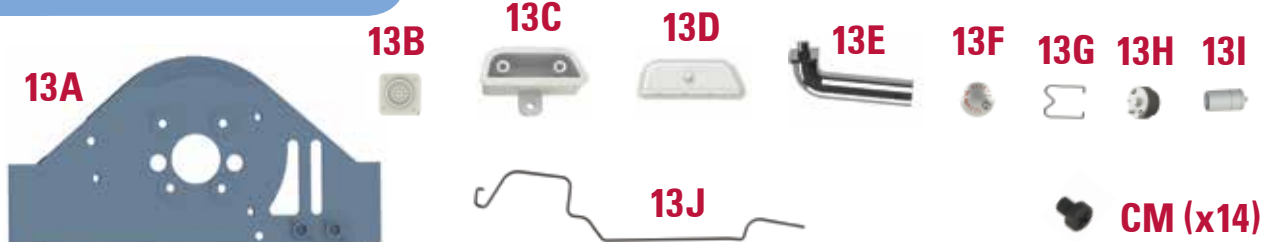
2



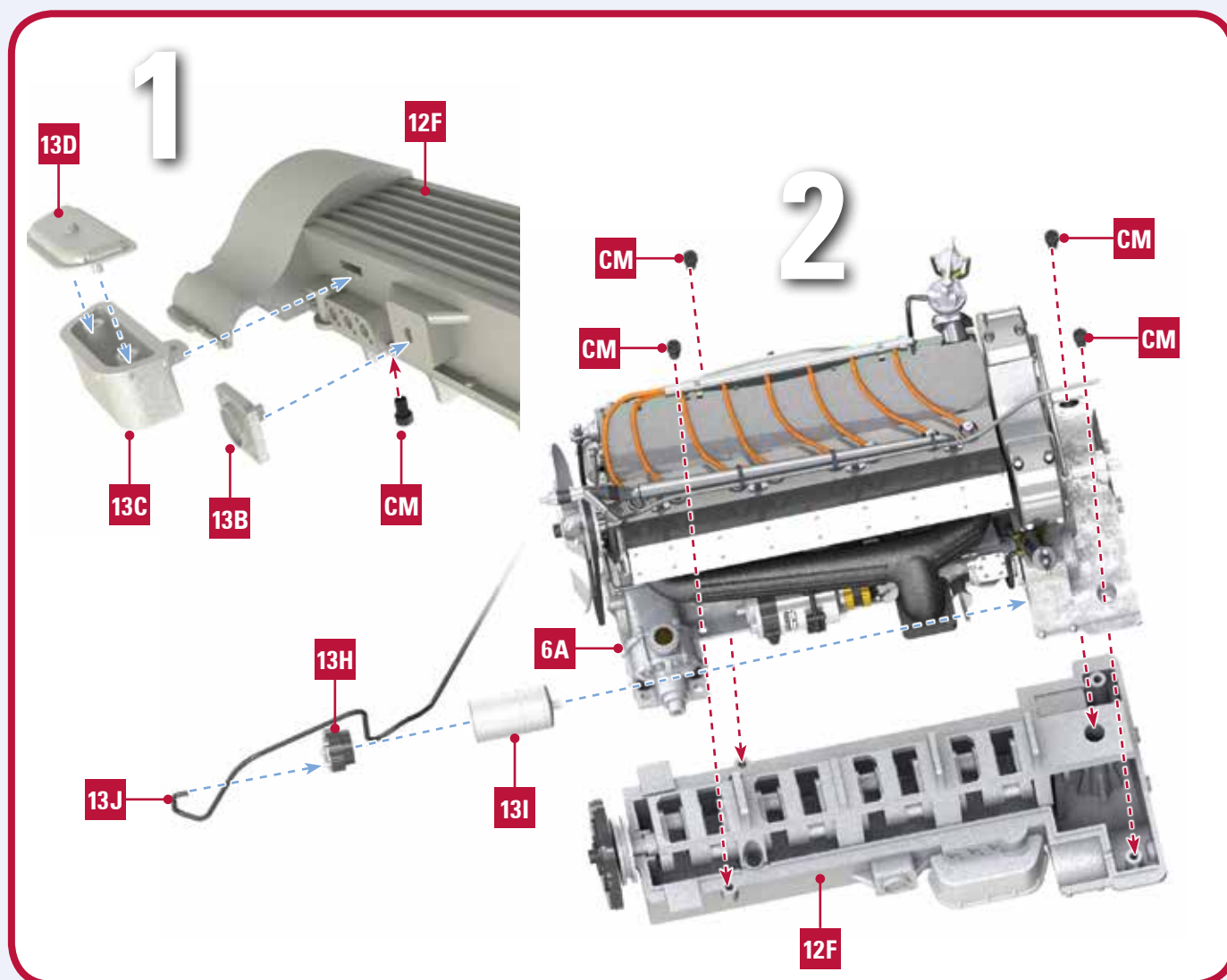
FINAL RESULT



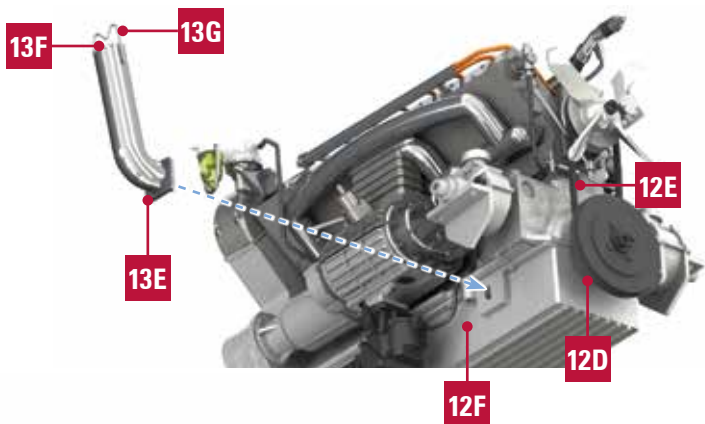
13 PARTS LIST



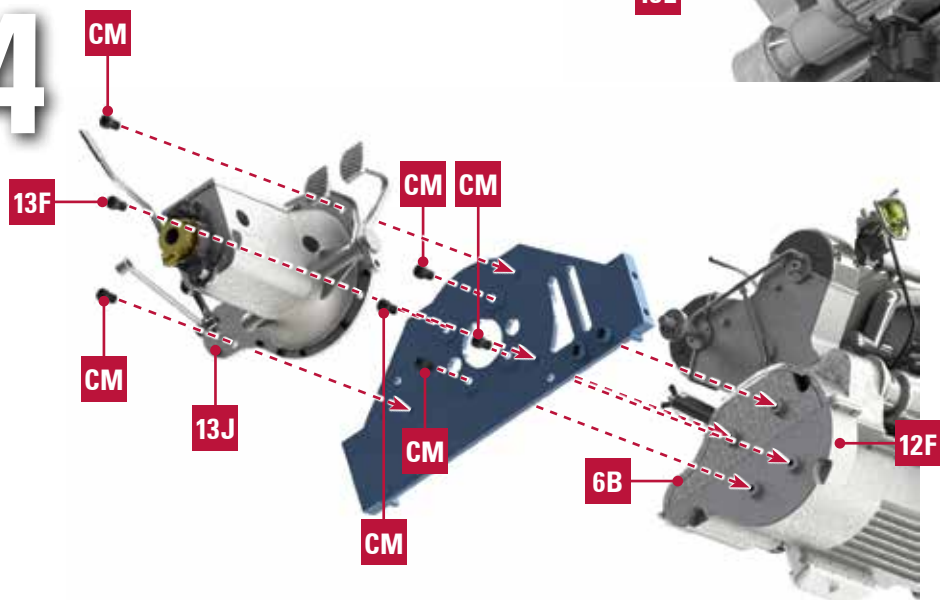
- | | |
|-----------------------------------|--------------------------------|
| 13A Engine rear bracket | 13H Starter front cover |
| 13B Oil pan left cover | 13I Starter |
| 13C Storage tanks | 13J Starter wires |
| 13D Oil storage base plate | |
| 13E Oil tube | SCREWS |
| 13F Oil tube cover | CM 14 screws |
| 13G Oil pipe cover handle | |



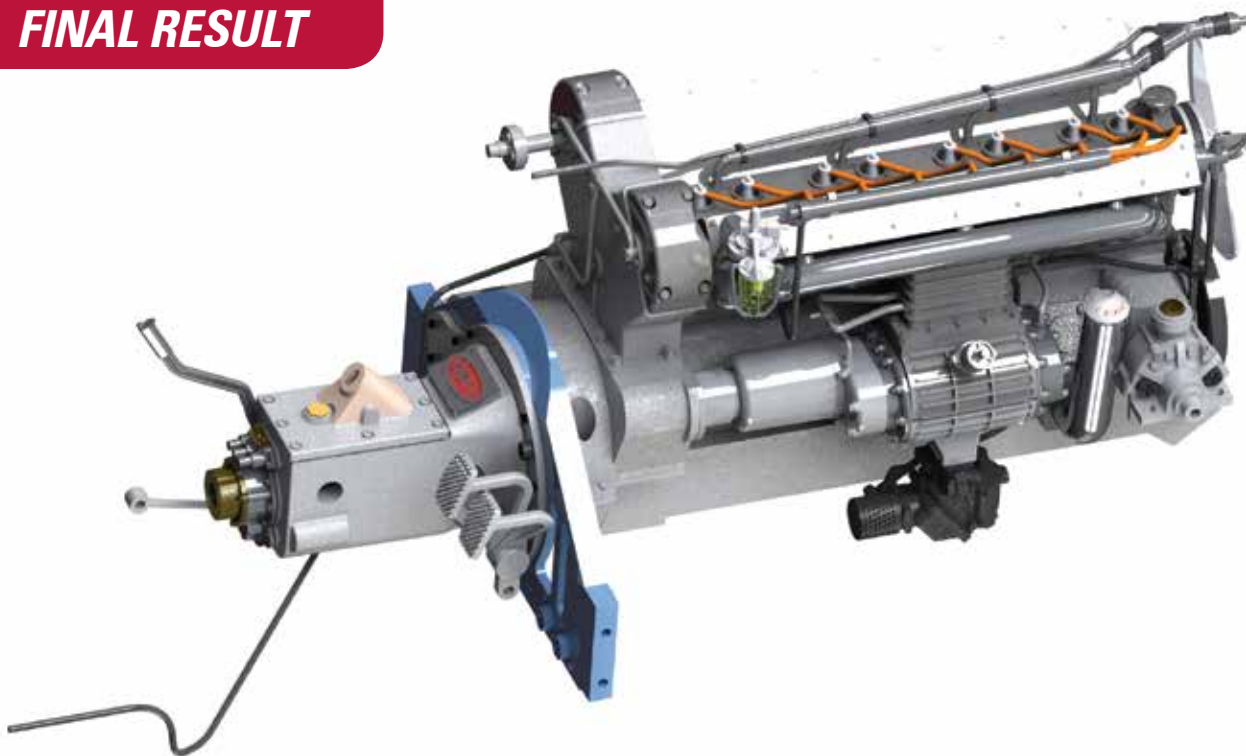
3



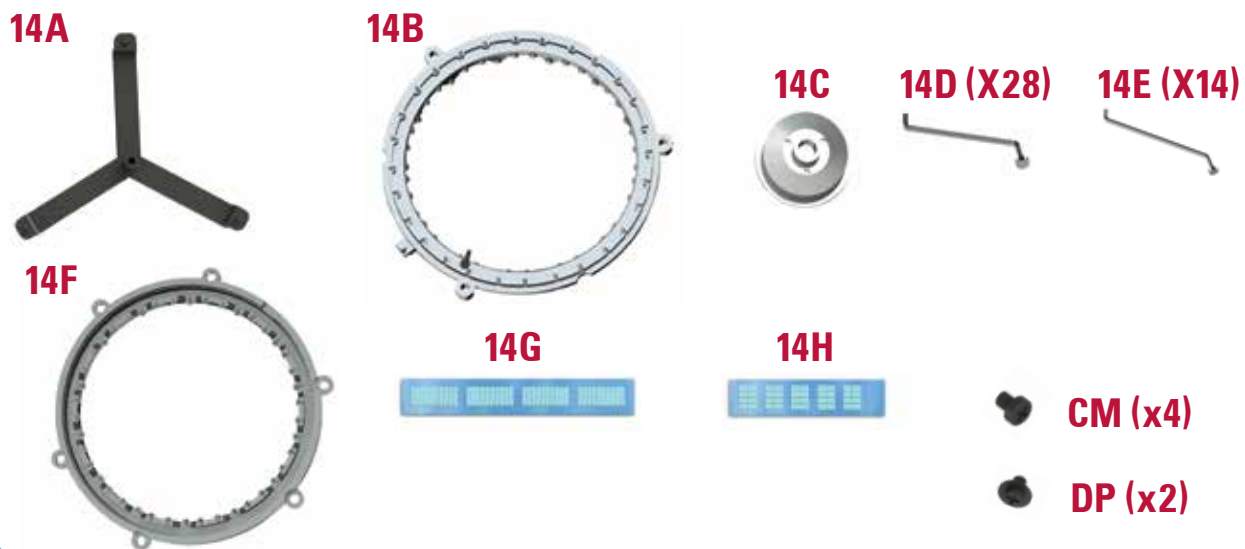
4



FINAL RESULT



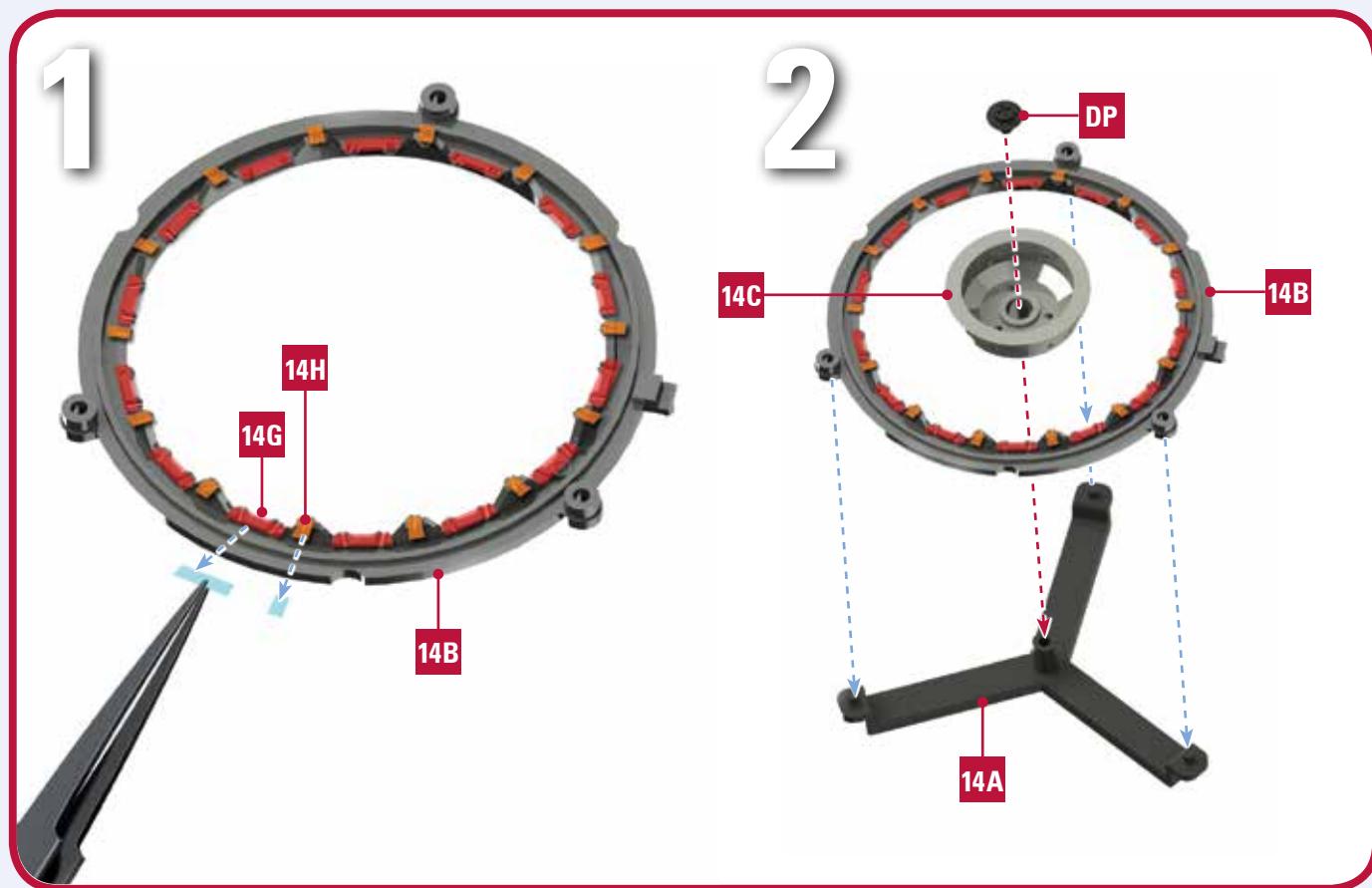
14 PARTS LIST



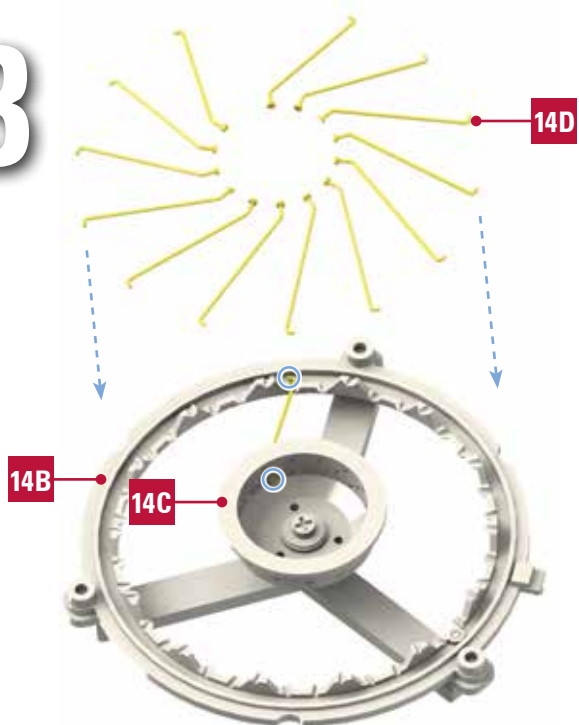
14A Assembly wheel tool
14B Inner wheel A
14C Inner spoke holder
14D Spoke A (x28)

14E Spoke B (x14)
14F Inner wheel B
14G Biadhhesive stripe A (x40)
14H Biadhhesive stripe B (x40)

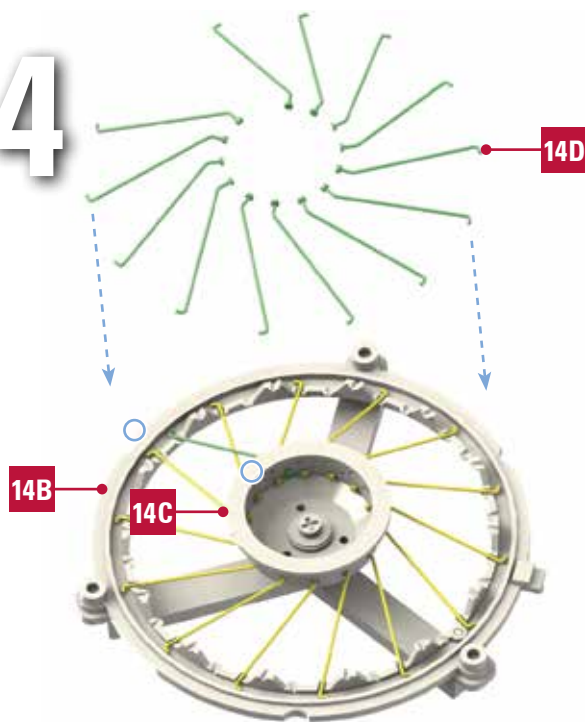
SCREWS
CM 4 screws
DP 2 screws



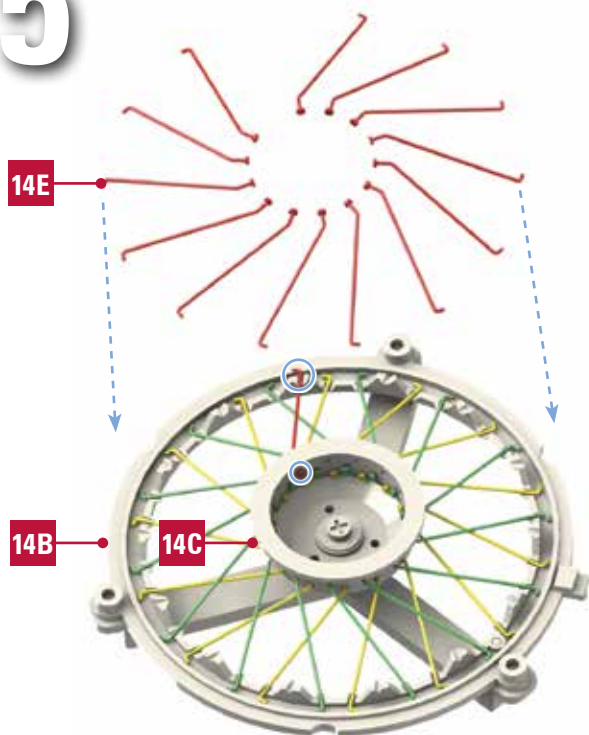
3



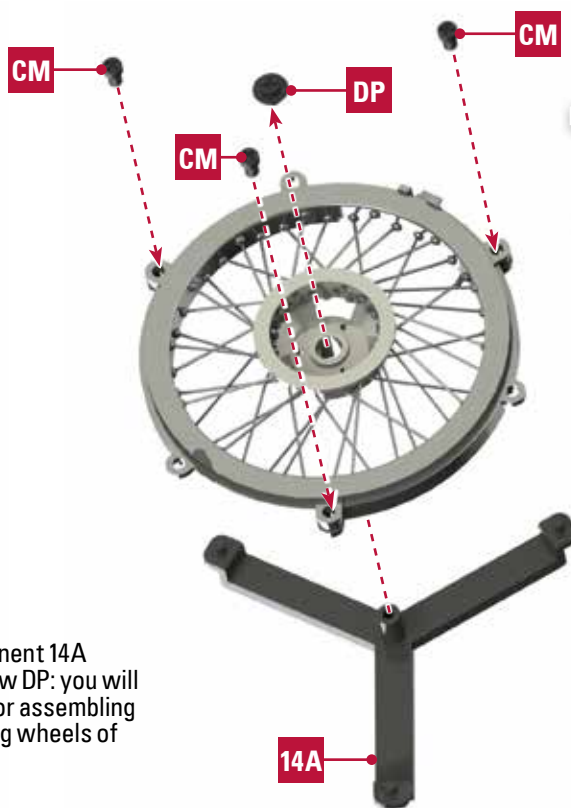
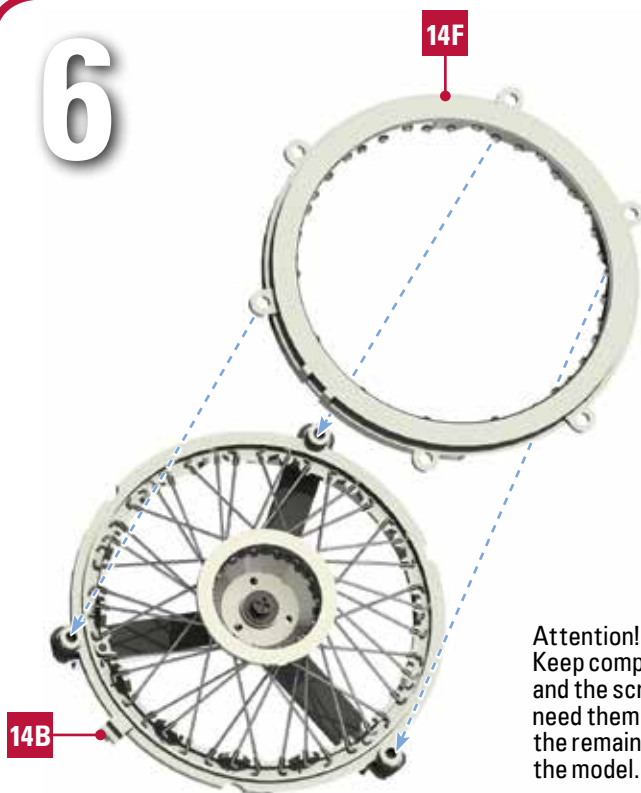
4



5



6

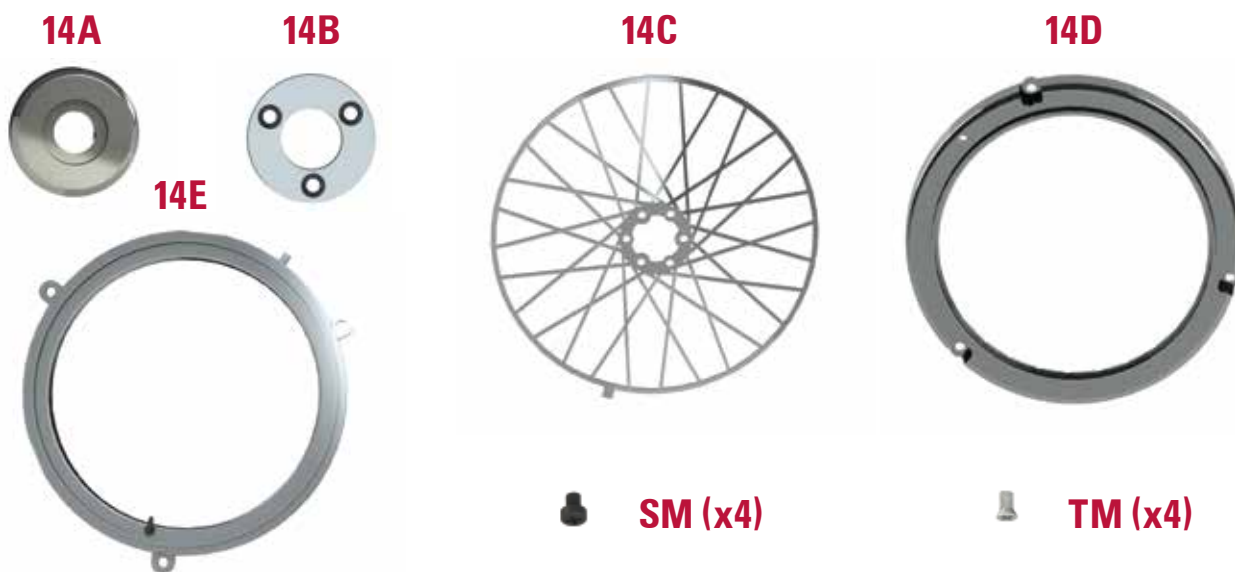


7

Attention!
Keep component 14A
and the screw DP: you will
need them for assembling
the remaining wheels of
the model.

FINAL RESULT

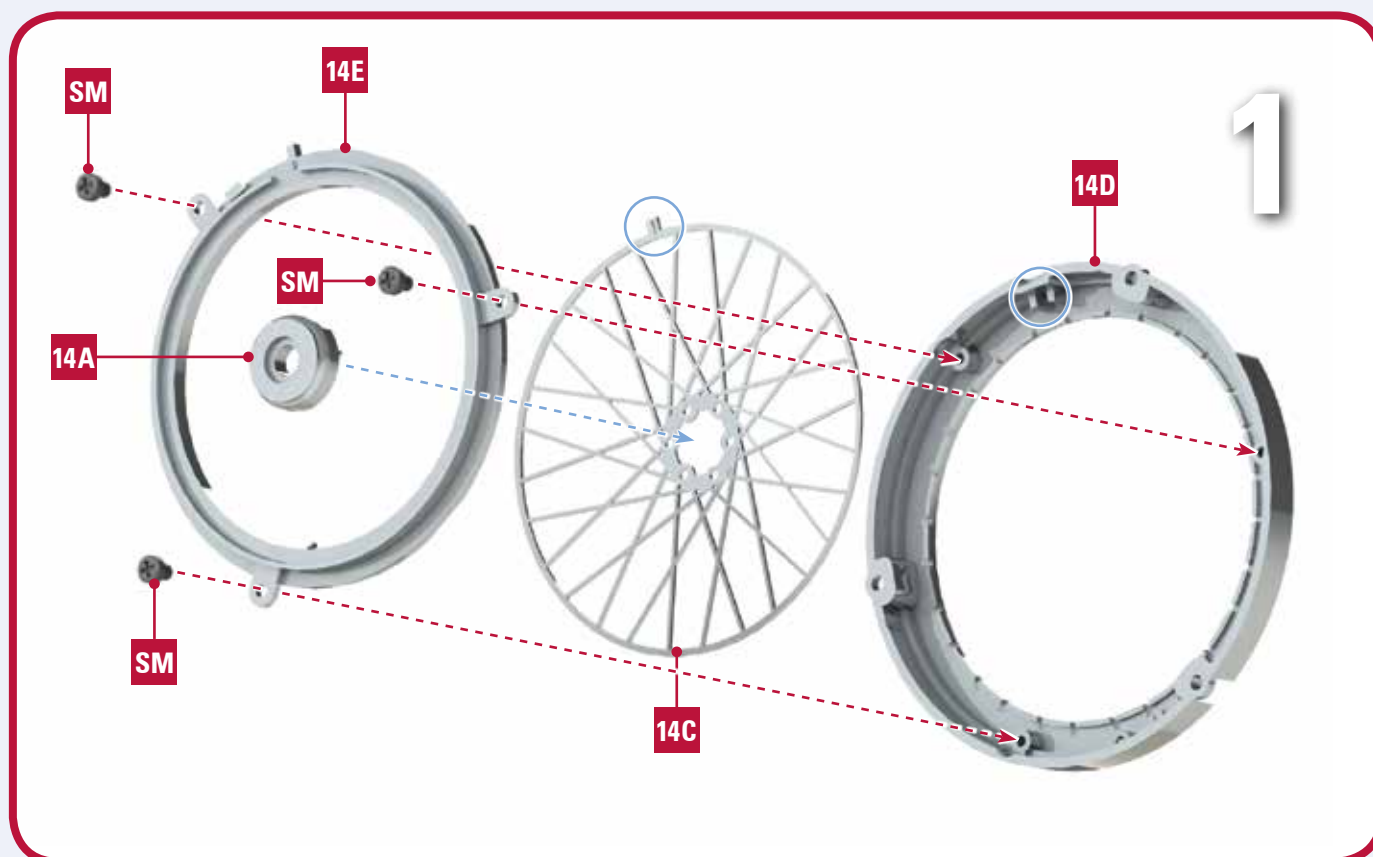
14/1 PARTS LIST



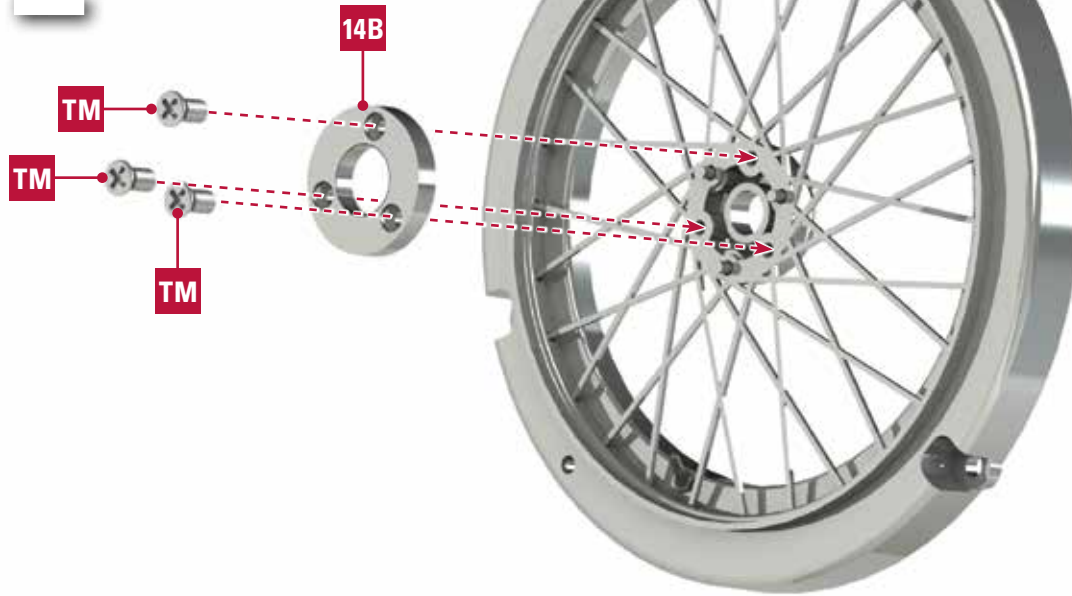
14A Spoke holder A
14B Spoke holder B
14C Spoke A

14D Outer wheel
14E Inner wheel

SCREWS
SM 4 screws
TM 4 screws



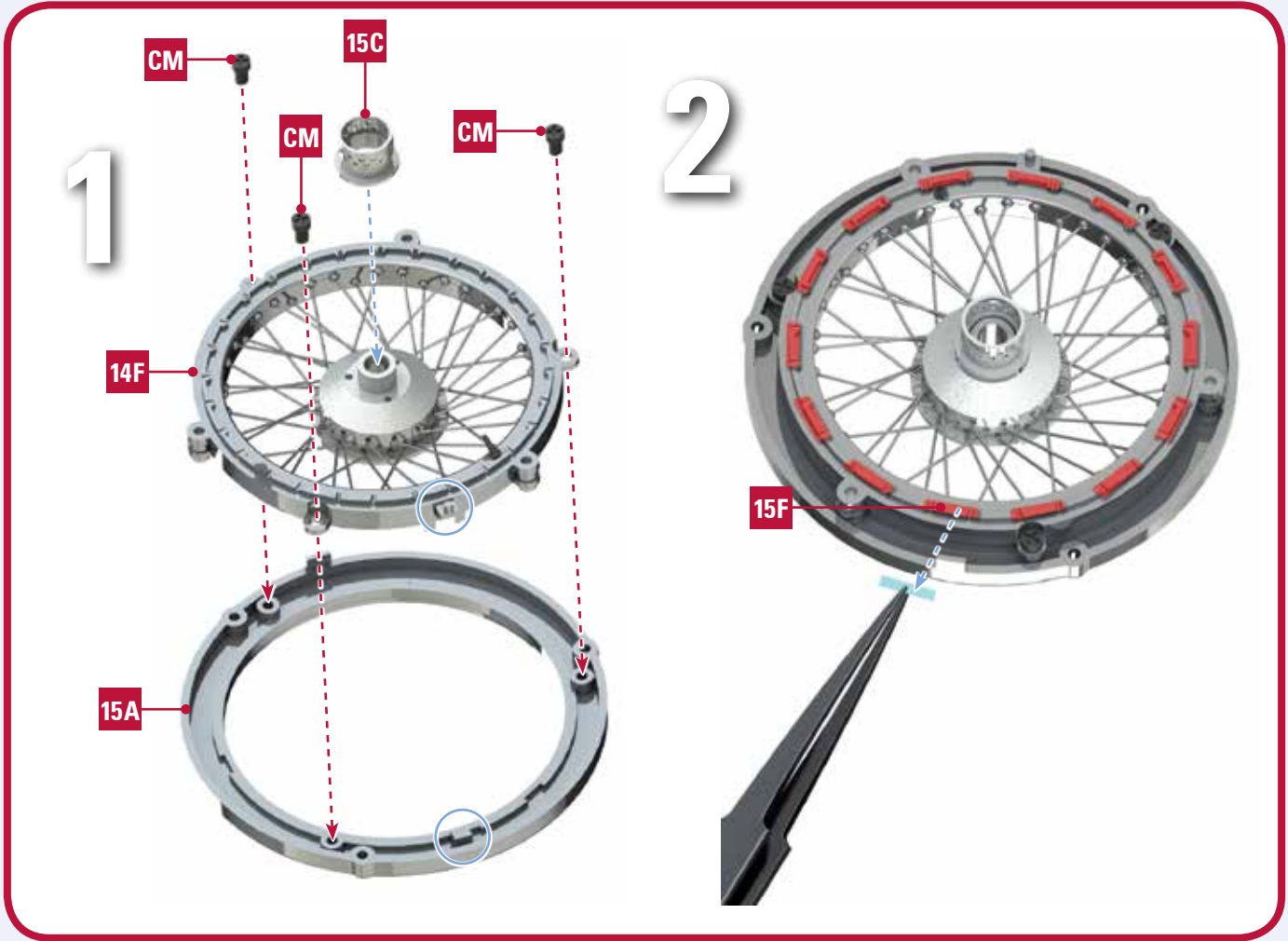
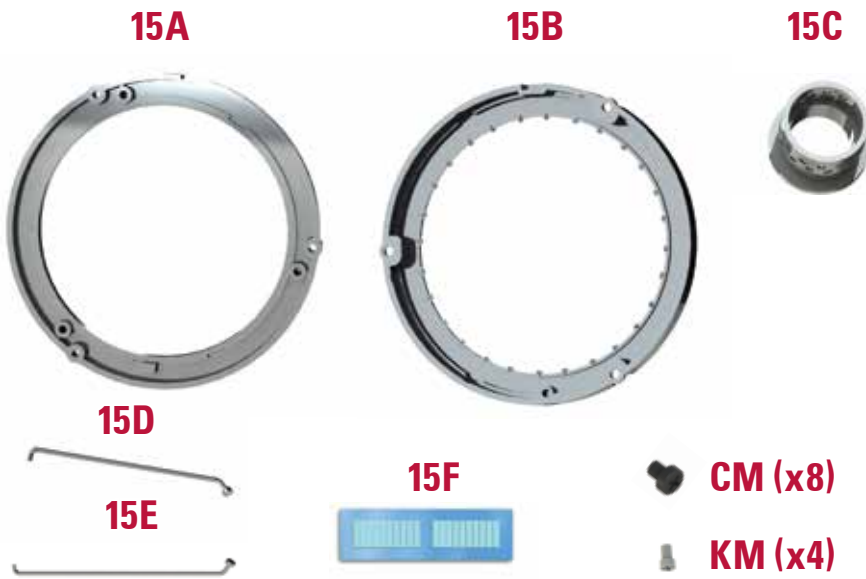
2



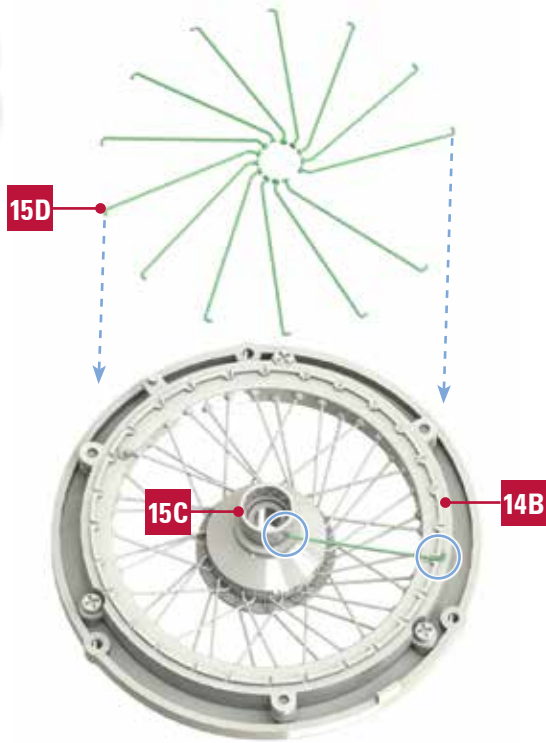
FINAL RESULT



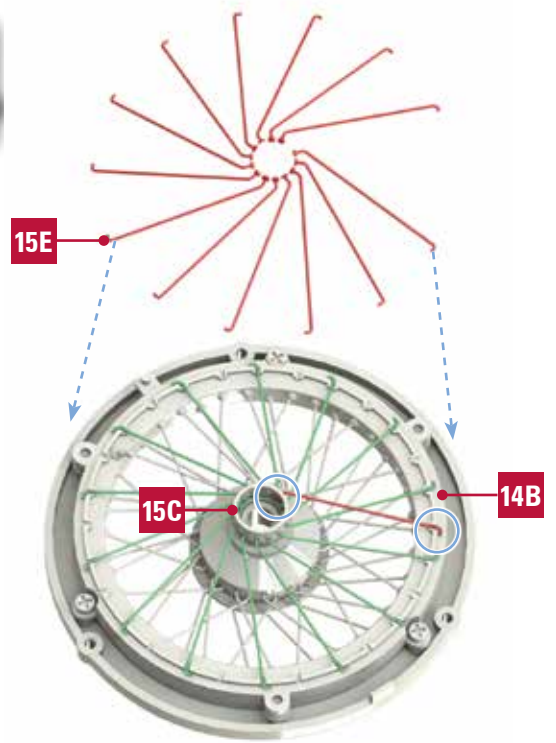
15 PARTS LIST

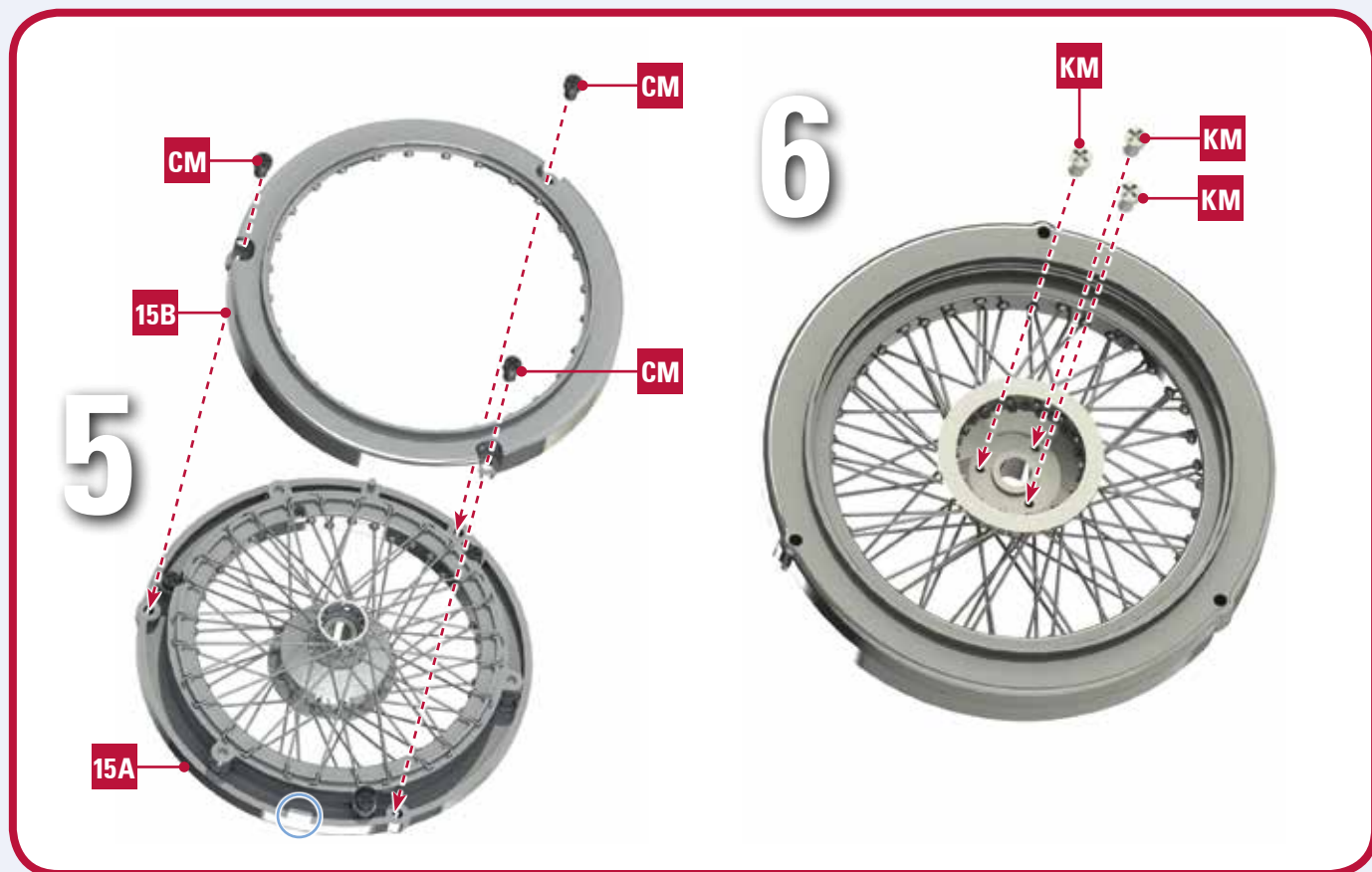


3



4





FINAL RESULT



15/1 PARTS LIST

15A



15B



15C



15D



15E



15F



CM (x8)

ZM (x4)

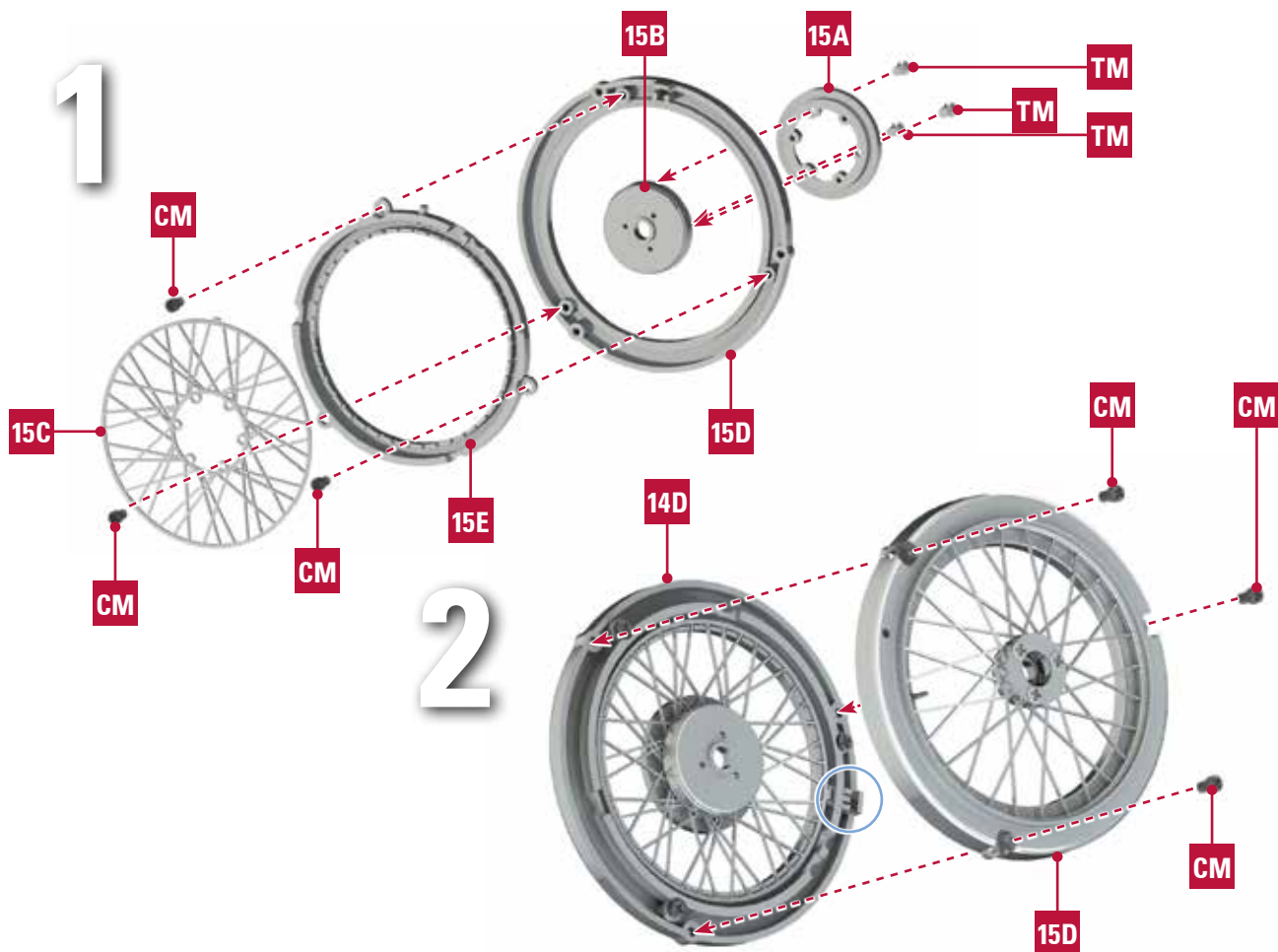
TM (x4)

- 15A** Spoke holder C
- 15B** Spoke holder D
- 15C** Spoke B
- 15D** Inner wheel
- 15E** Inner wheel B
- 15F** Spoke holder D cap

SCREWS

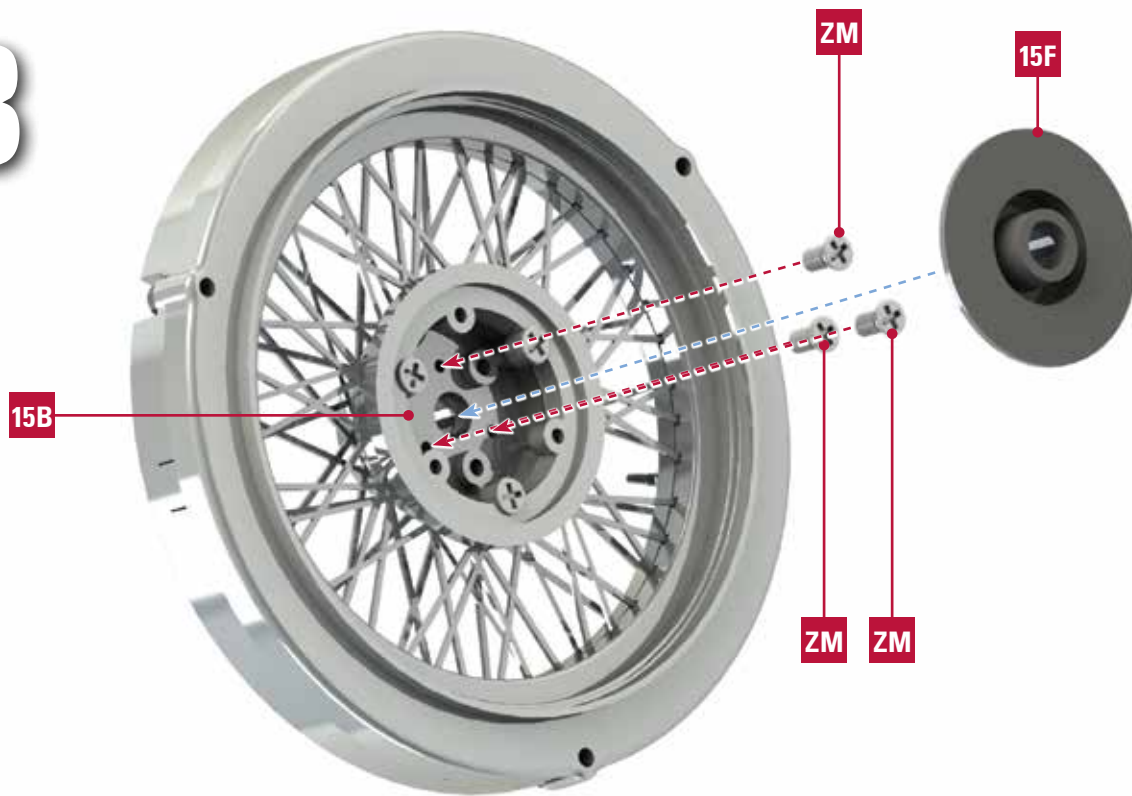
- CM** 8 screws
- ZM** 4 screws
- TM** 4 screws

1



2

3



FINAL RESULT



16 PARTS LIST

16A



16B



16C



16D



16A Tire
16B Wheel cap

16C Left wheel cap holder
16D Washer

1

Soak tire 4A for 30 seconds in hot water to soften it. Once removed from water carefully dry the tire, especially inside.



FINAL RESULT



16/1 PARTS LIST

16A



16B



16C



16D



16A Tire
16B Wheel cap

16C Left wheel cap holder
16D Washer

1

Soak tire 4A for 30 seconds in hot water to soften it. Once removed from water carefully dry the tire, especially inside.



FINAL RESULT



17 PARTS LIST



17A



17B



17C



17D

17E



17F



AGM (x3)

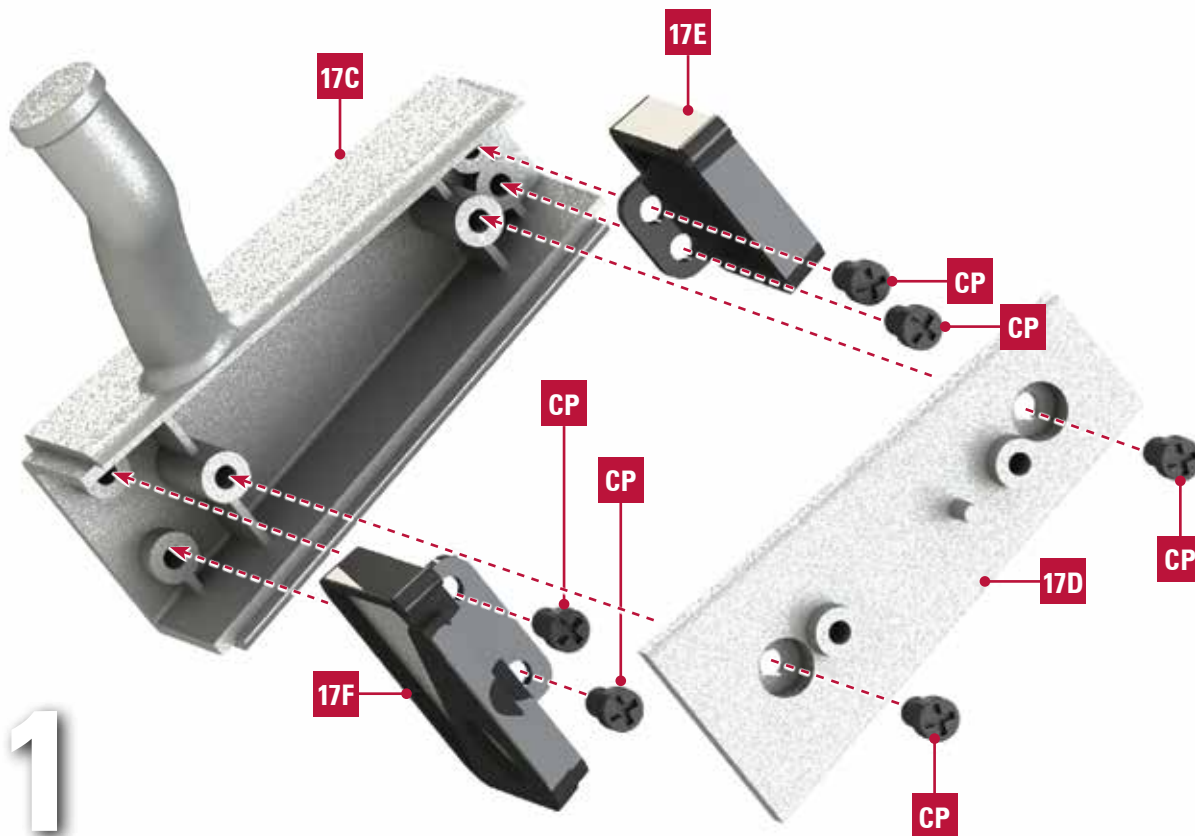
CP (x10)

- 17A** Left front frame
- 17B** Front axle beam
- 17C** Small fuel tank
- 17D** Small fuel tank inner part
- 17E** Small fuel tank rear frame
- 17F** Small fuel tank front frame

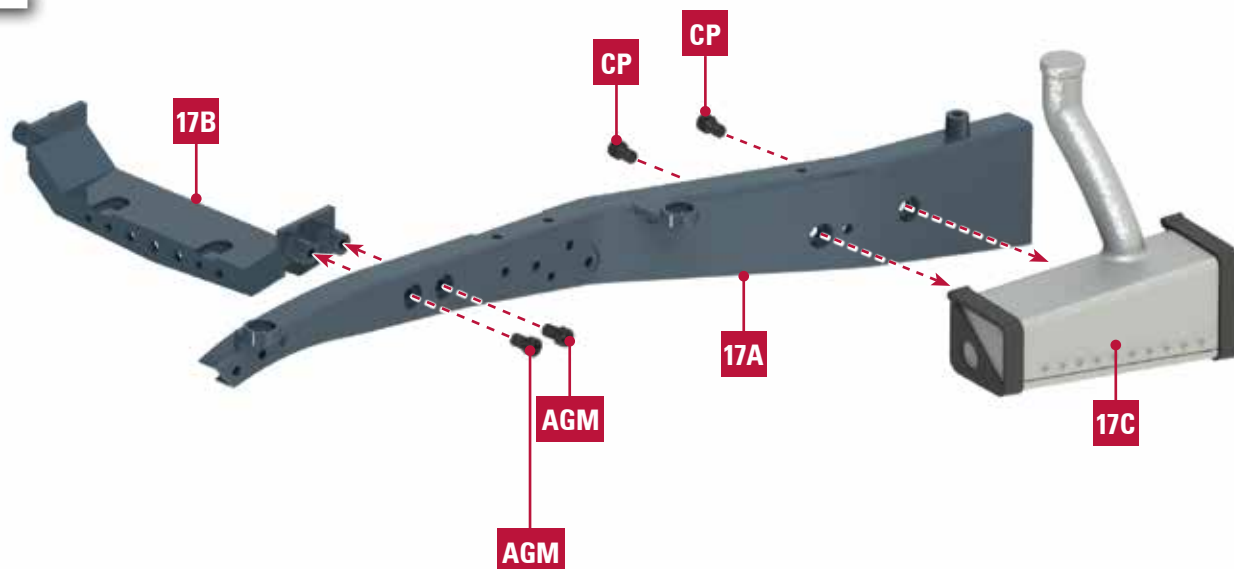
SCREWS

AGM 3 screws

CP 10 screws



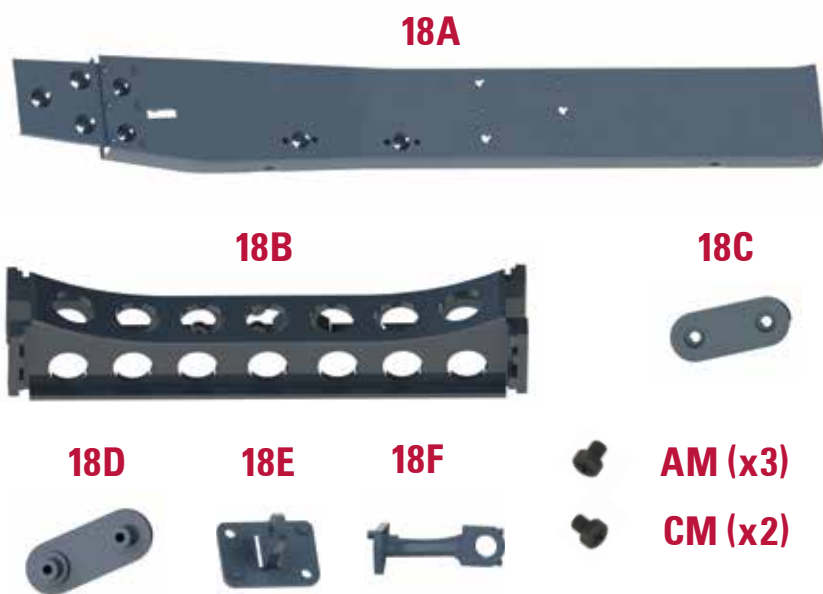
2



FINAL RESULT



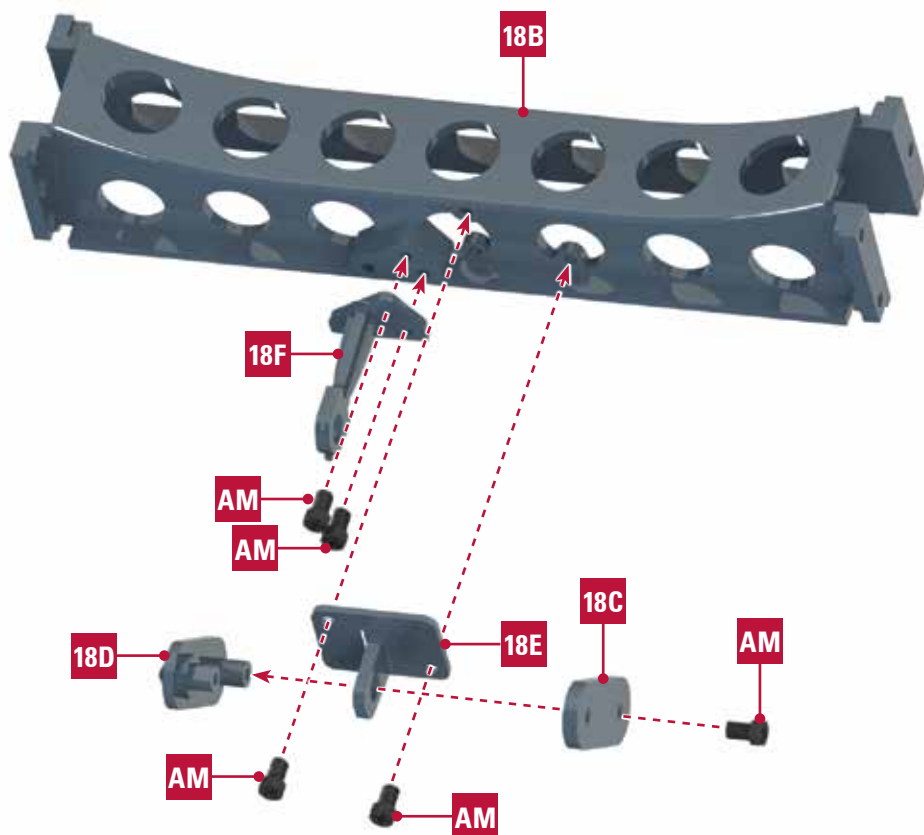
18 PARTS LIST



- 18A** Left middle frame
- 18B** Middle cross member
- 18C** Rear axle pull rod fixed A
- 18D** Rear axle pull rod fixed B
- 18E** Rear axle pull rod fixed C
- 18F** Handbrake shaft fixing frame

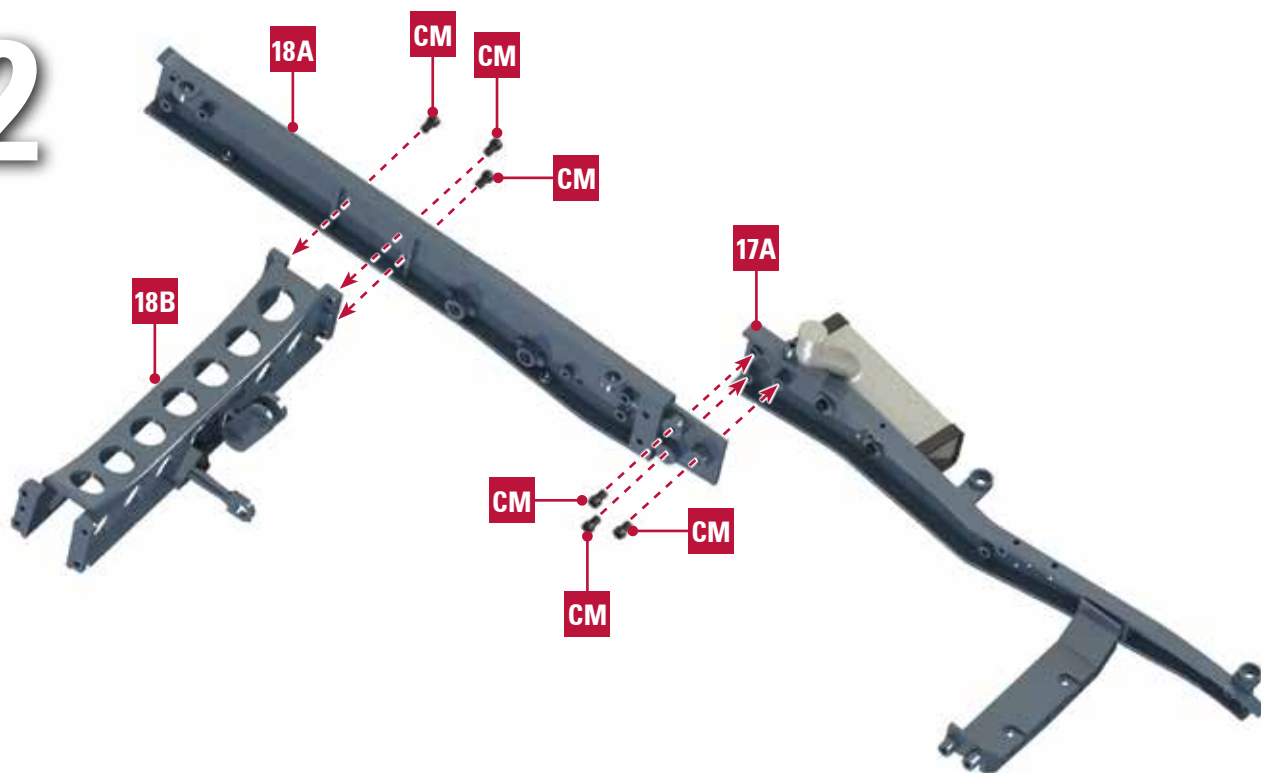
SCREWS

- AM** 7 screws
- CM** 8 screws



1

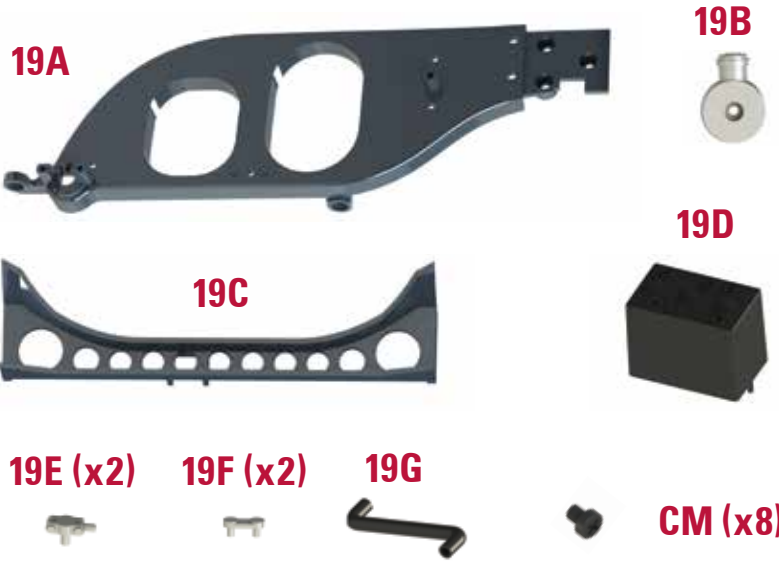
2



FINAL RESULT



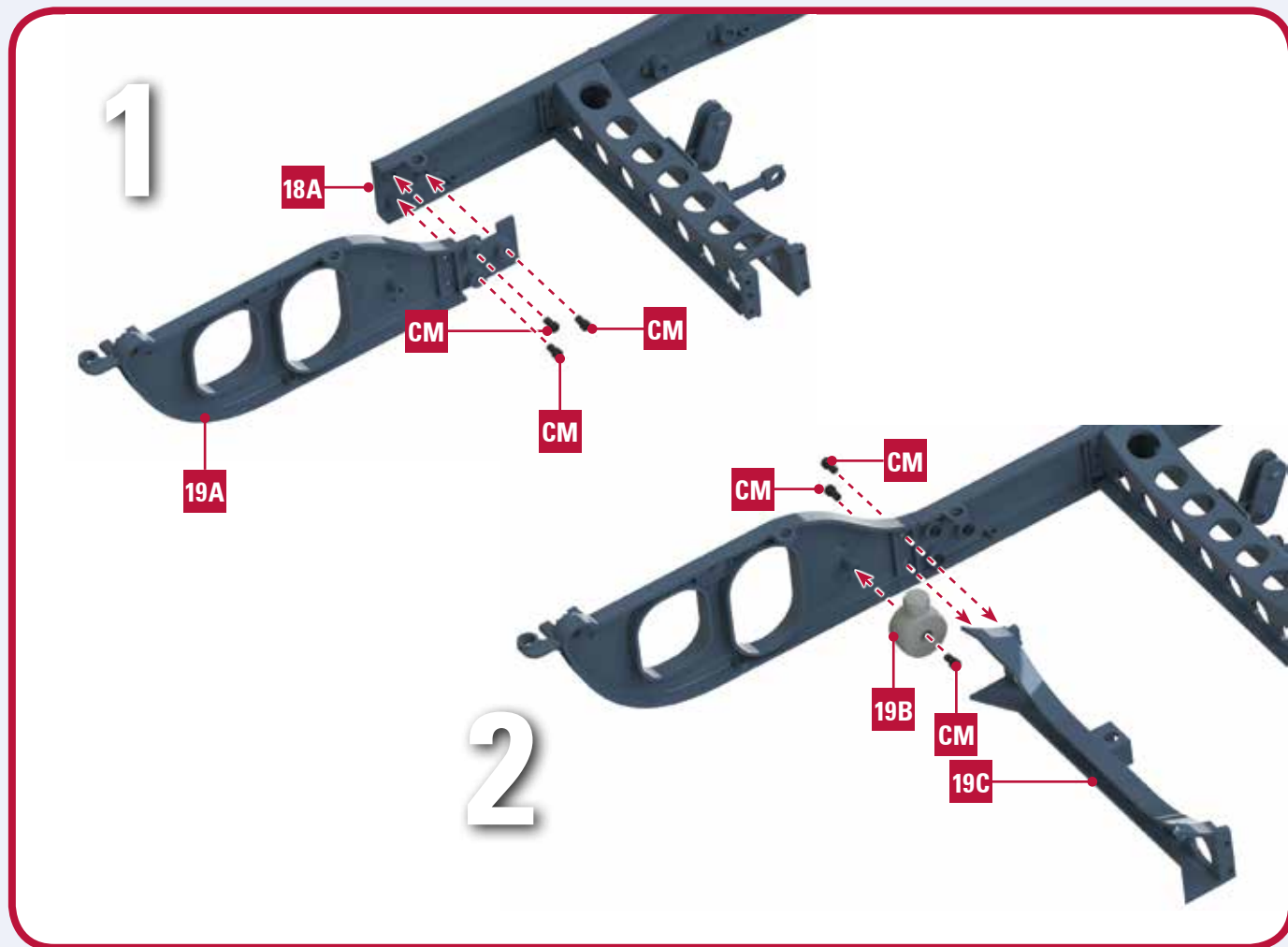
19 PARTS LIST



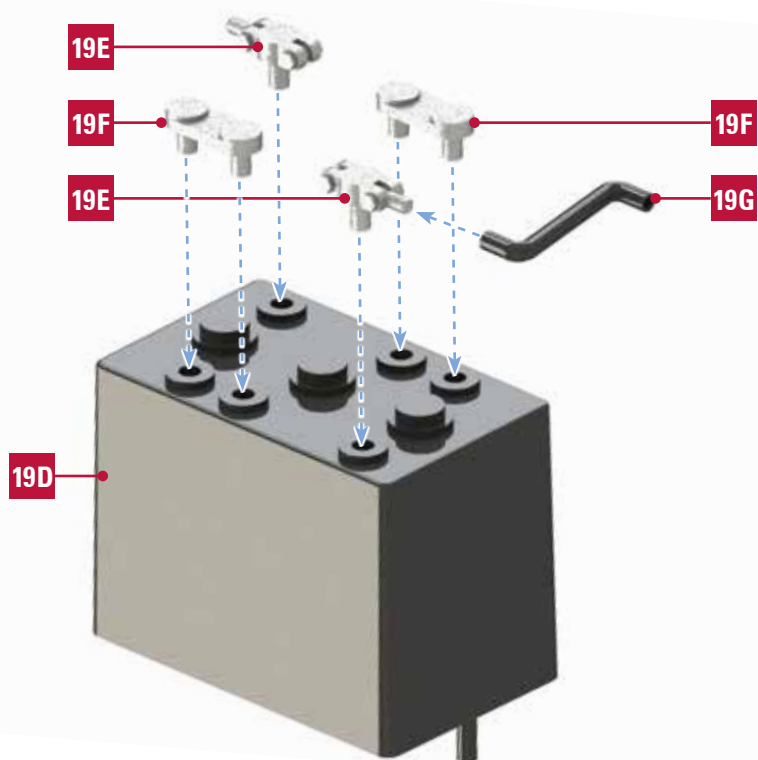
- 19A** Left rear frame
- 19B** Spring assembly inside cover left
- 19C** Rear wheel middle beam
- 19D** Battery
- 19E** Electrode A
- 19F** Electrode B
- 19G** Battery wires

SCREWS

CM 8 screws



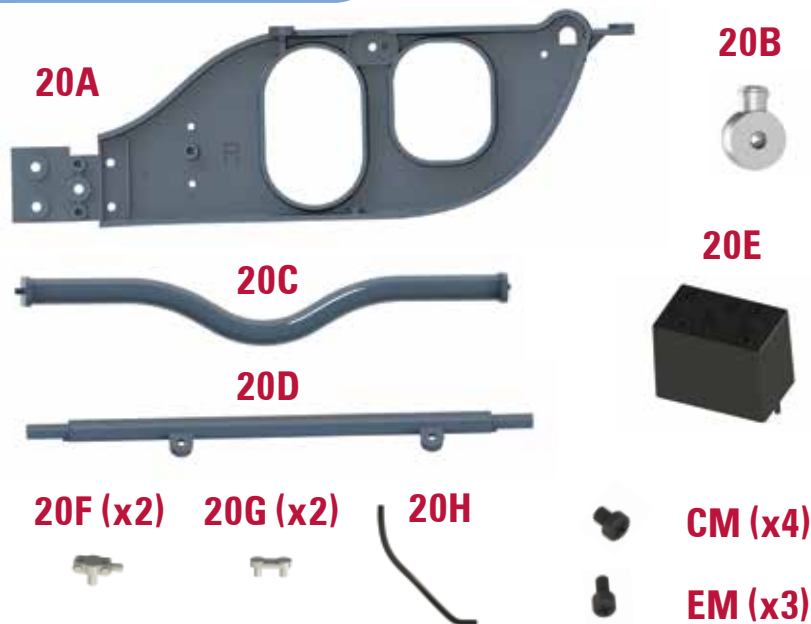
3



FINAL RESULT



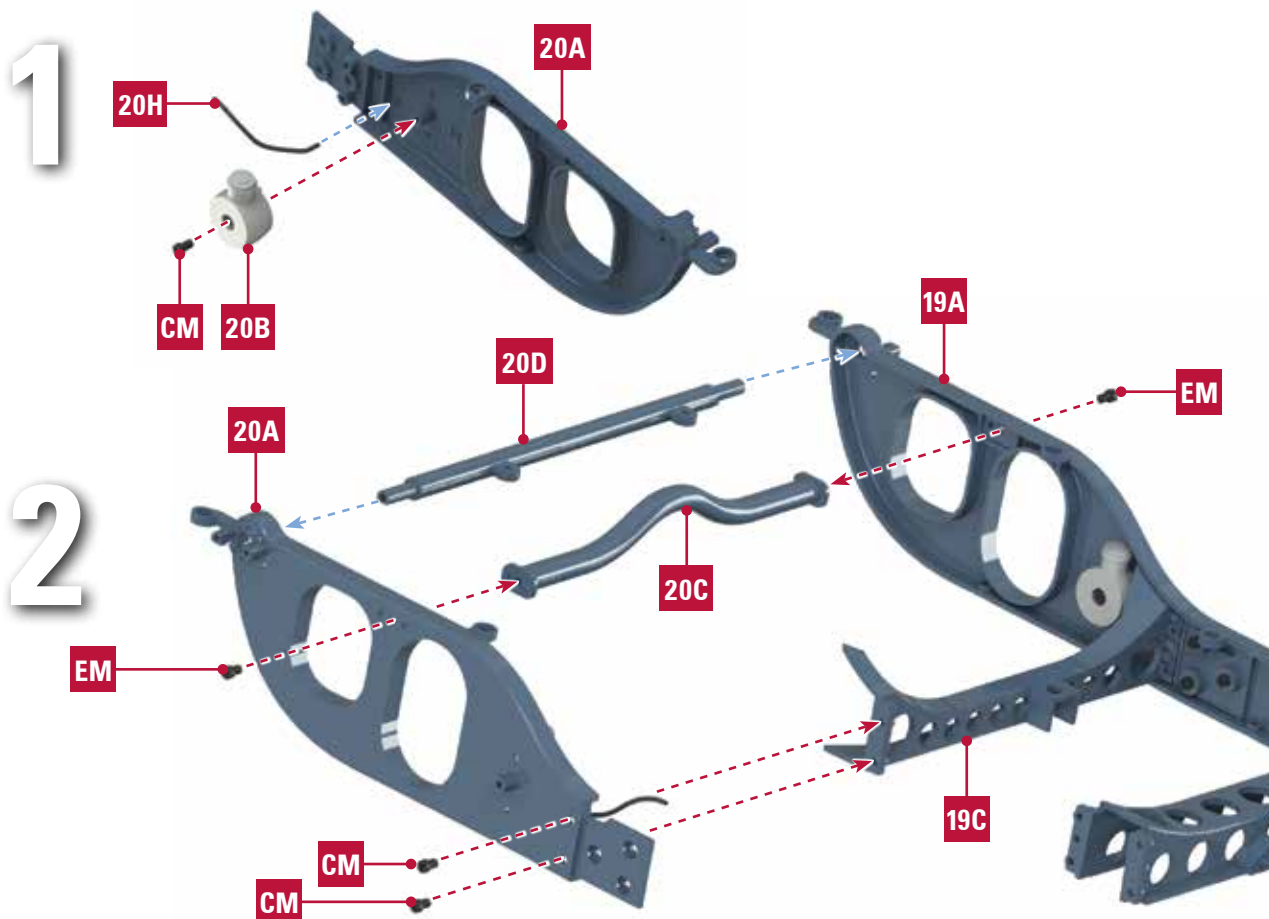
20 PARTS LIST



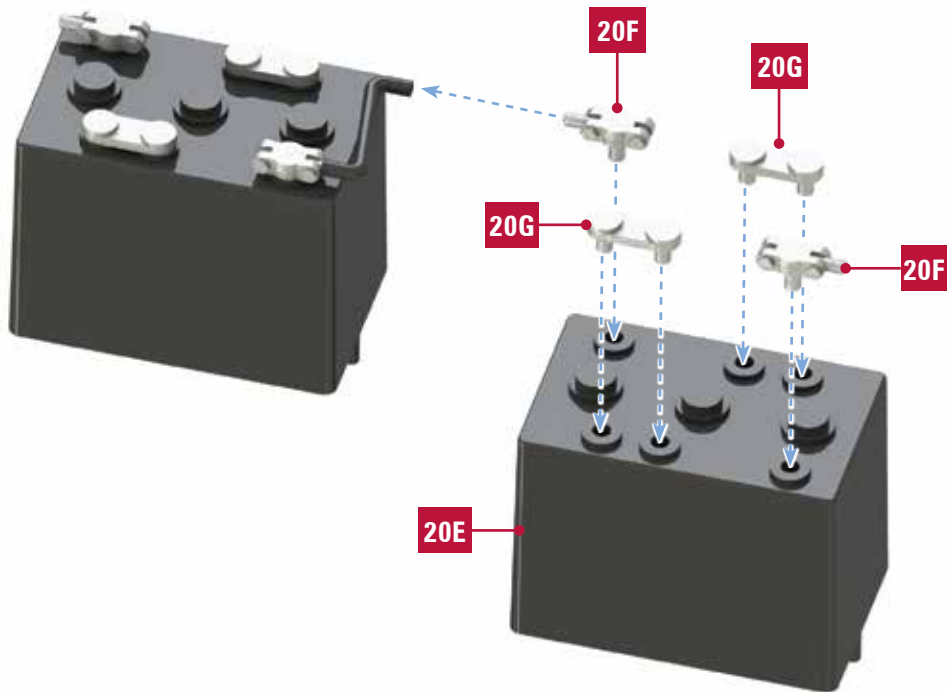
- 20A** Right rear frame
- 20B** Spring assembly inside cover right
- 20C** Rear wheel middle beam
- 20D** Rear cross member
- 20E** Battery
- 20F** Electrode A
- 20G** Electrode B
- 20H** Battery wires

SCREWS

- CM** 4 screws
- EM** 3 screws



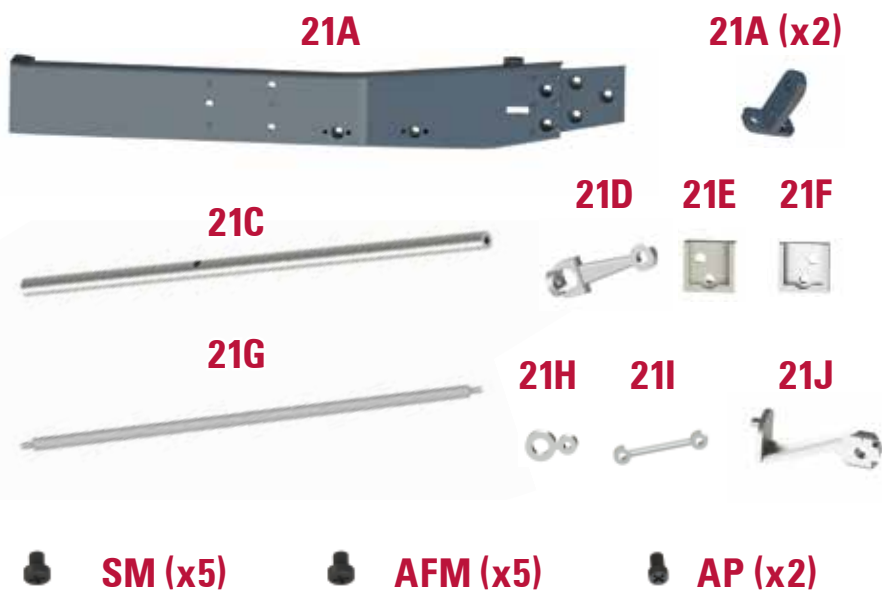
3



FINAL RESULT



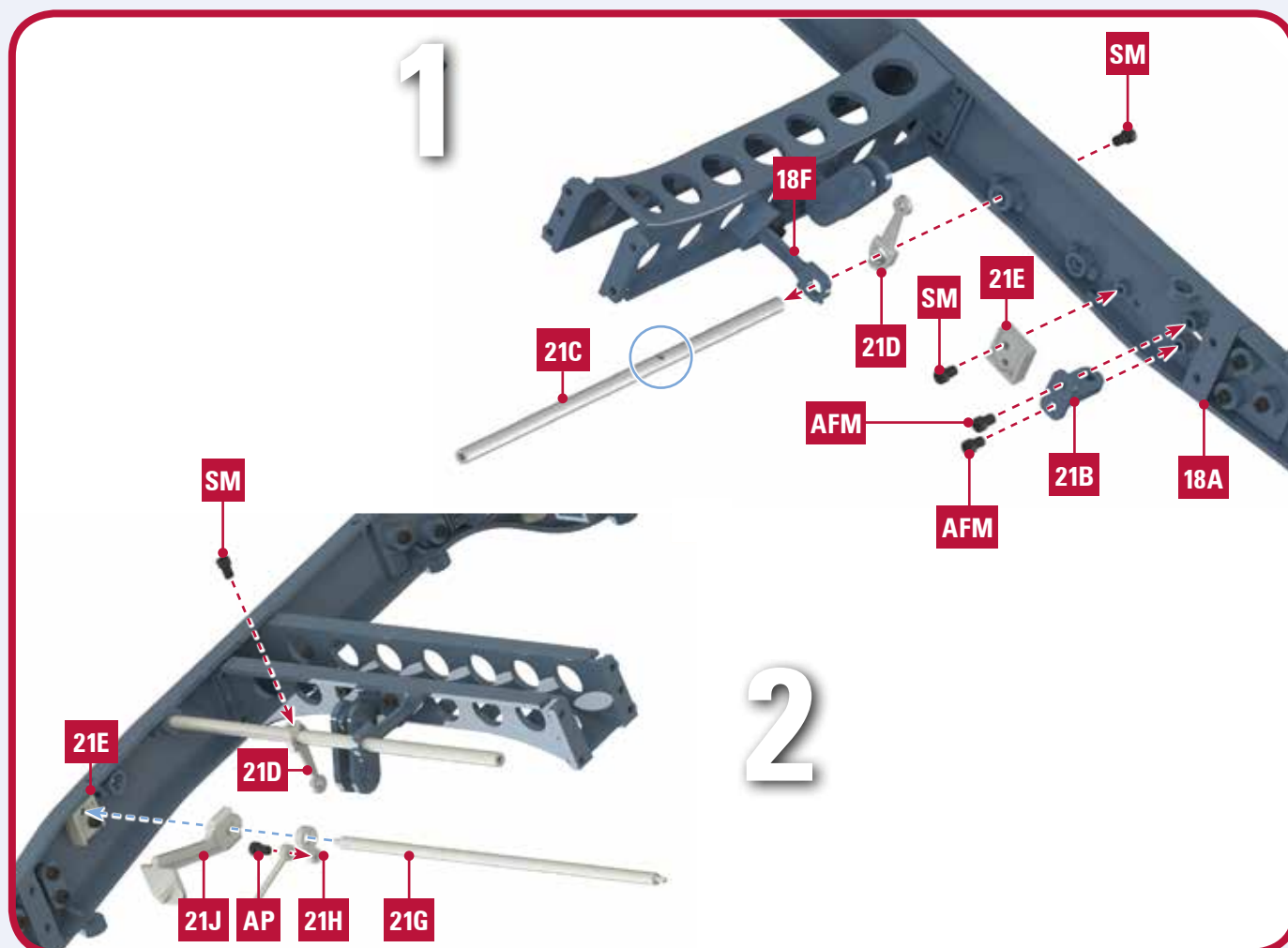
21 PARTS LIST



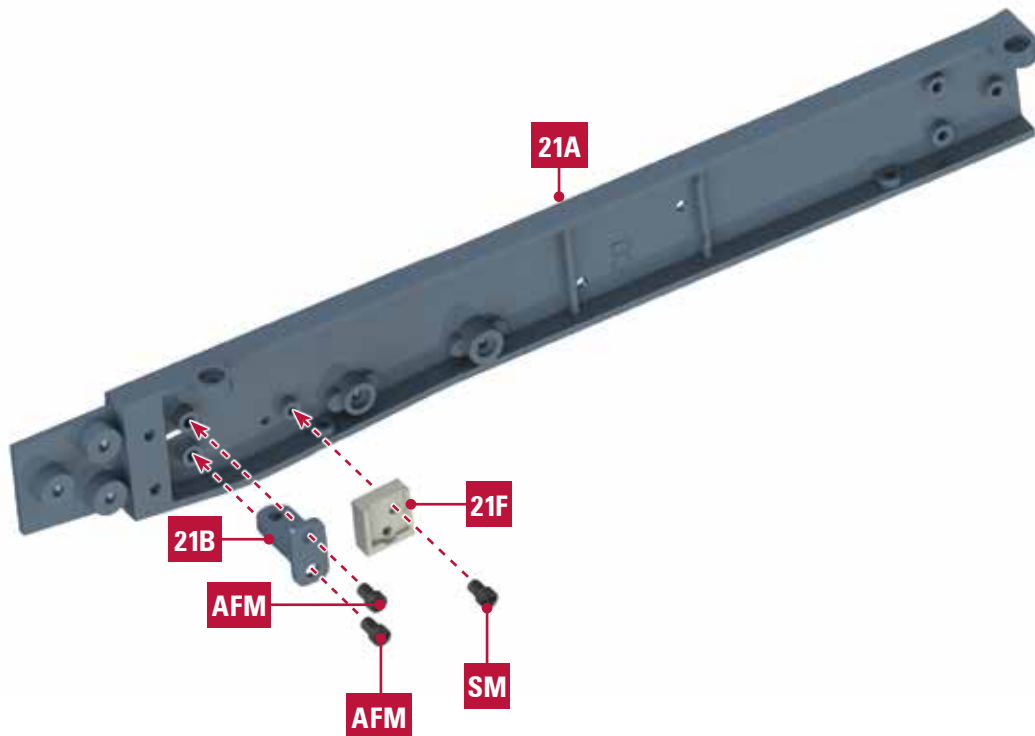
- 21A** Right middle frame
- 21B** Middle frame separate part
- 21C** Handbrake shaft
- 21D** Handbrake rod connector
- 21E** Left bracket
- 21F** Right bracket
- 21G** Brake shaft
- 21H** Brake shifter lever
- 21I** Brake pedal rod
- 21J** Brake shaft front bracket

SCREWS

- SM** 5 screws
- AFM** 5 screws
- AP** 2 screws



3



FINAL RESULT



22 PARTS LIST

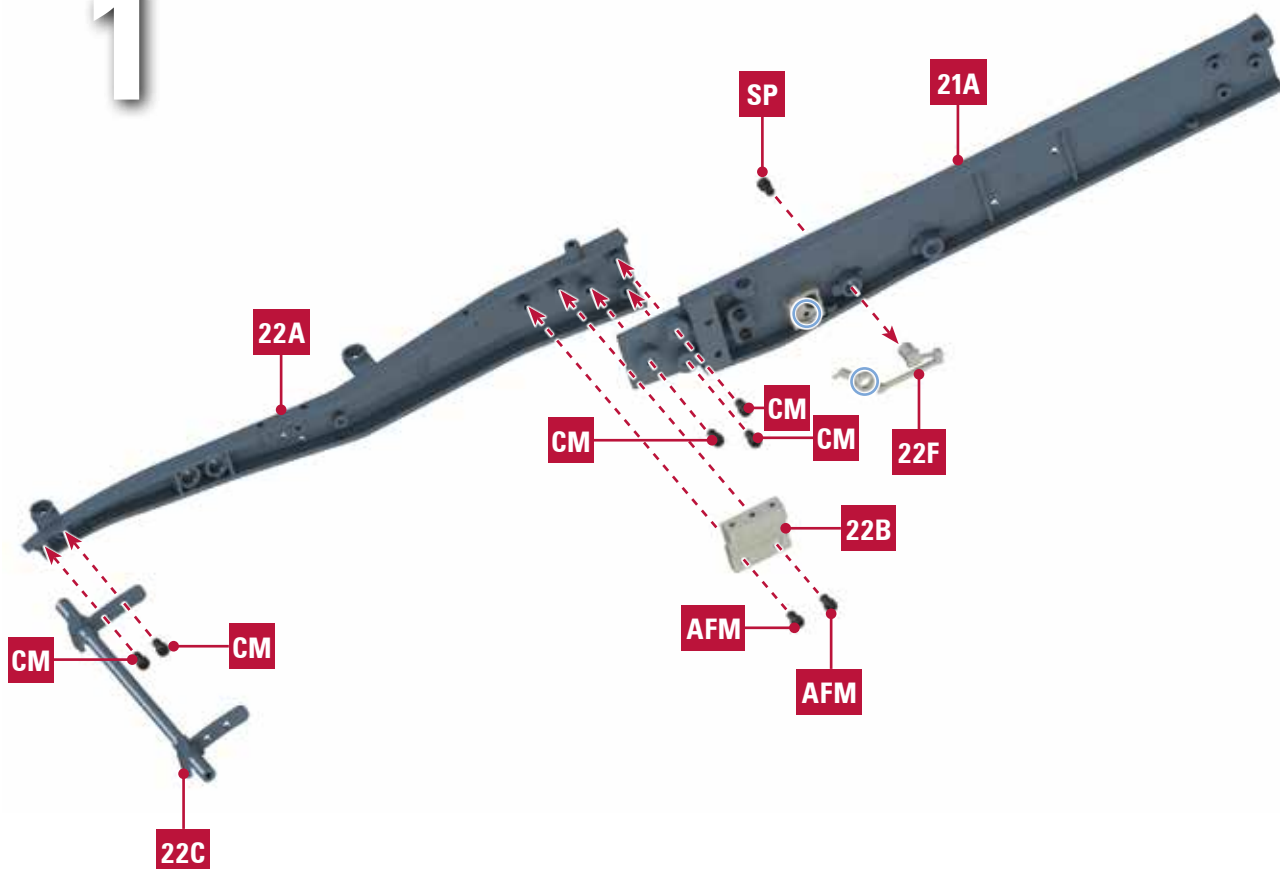


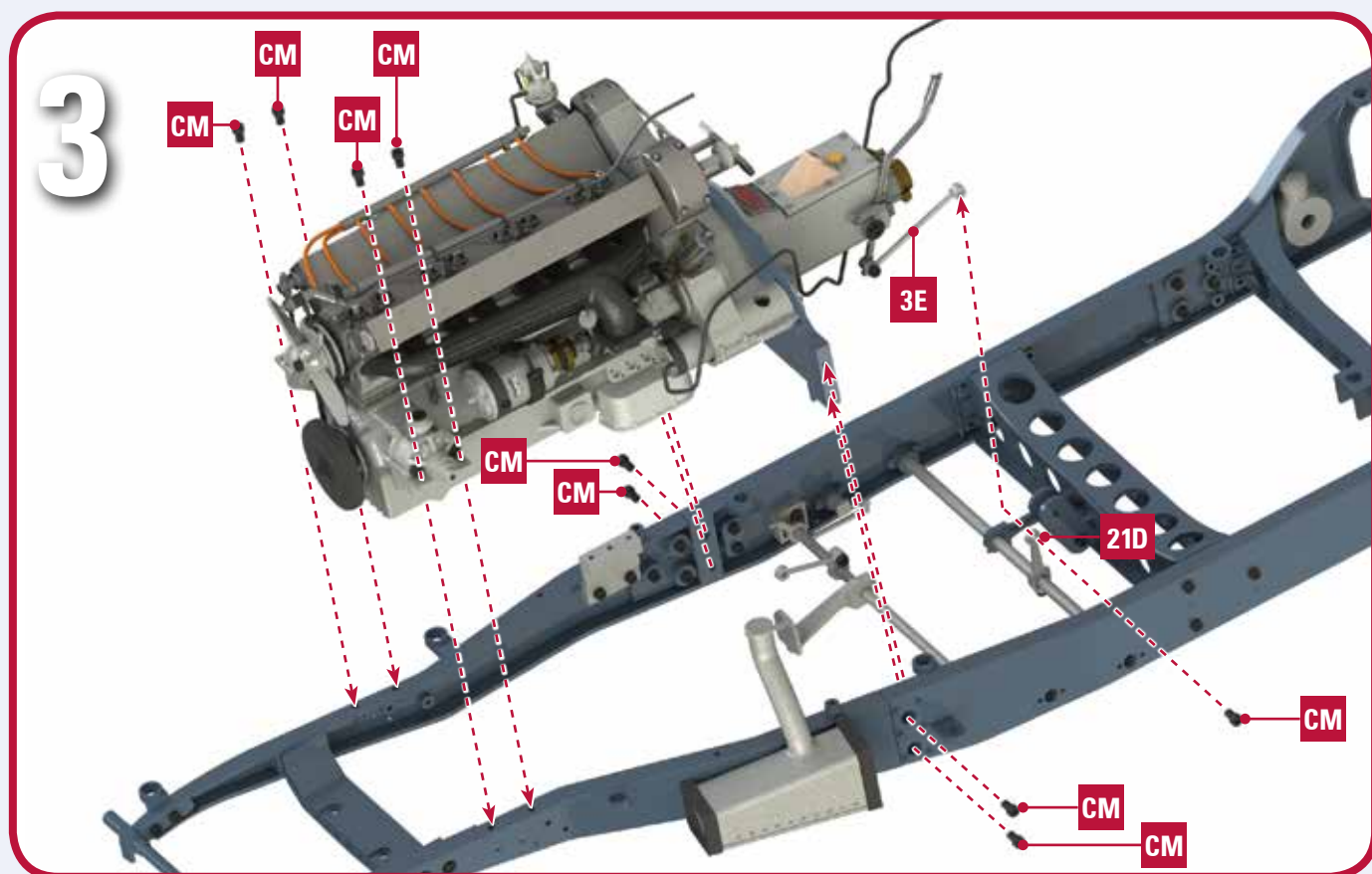
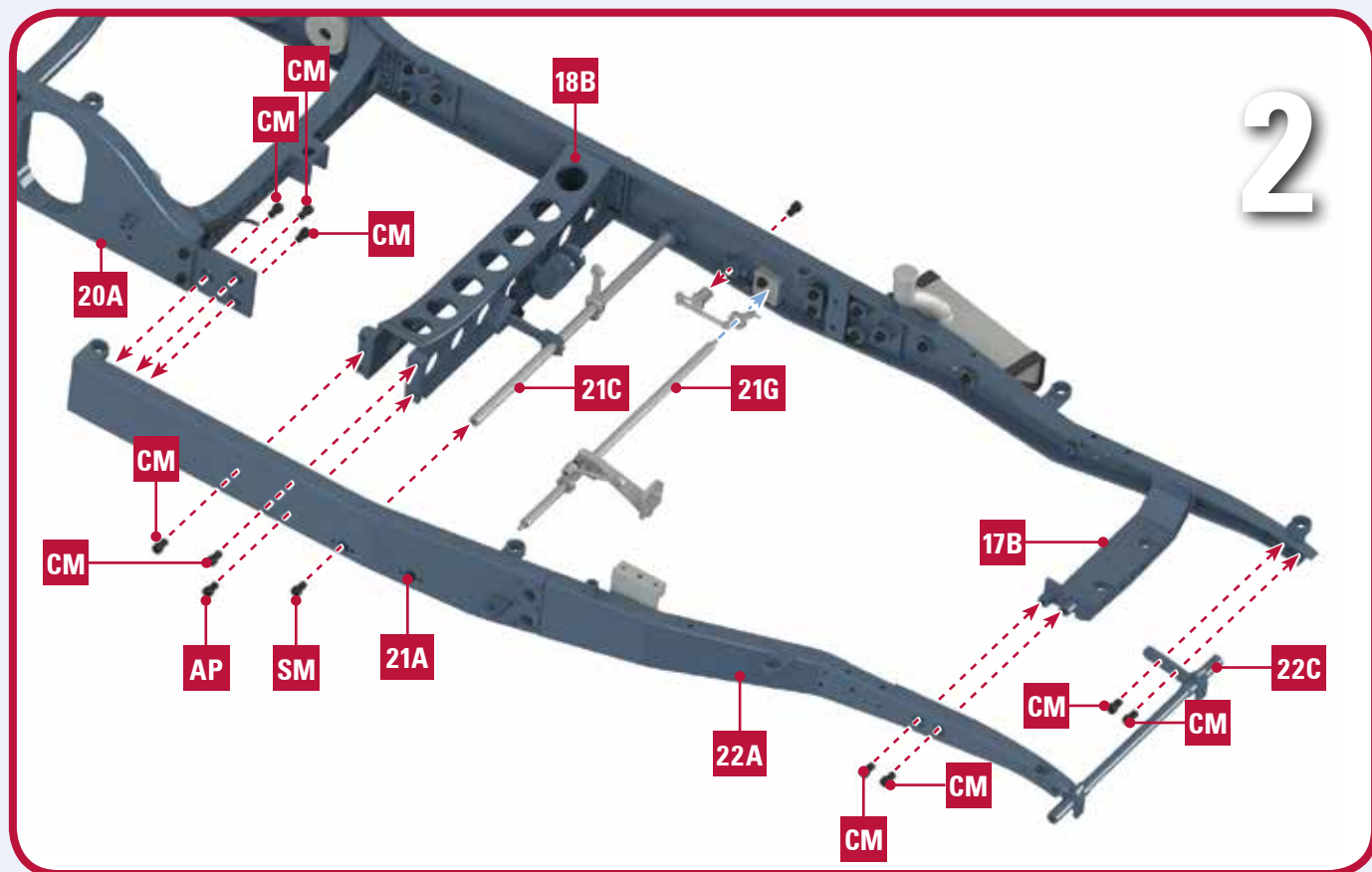
- 22A** Right front frame
- 22B** Steering gear box base
- 22C** Front wheel spring leaf front holder
- 22D** Battery bracket
- 22E** Front wheel brake lines connector left
- 22F** Front wheel brake lines connector right

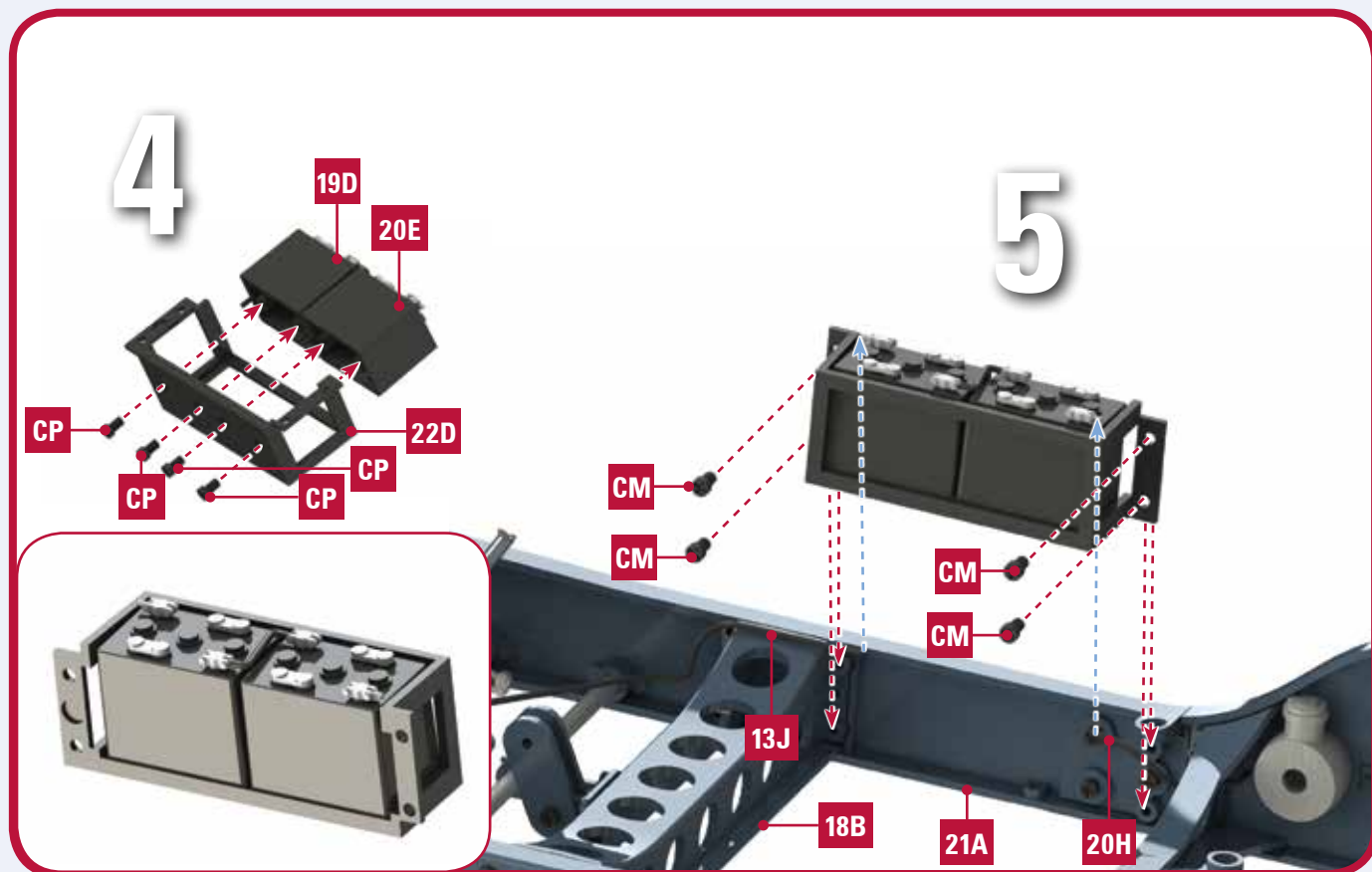
SCREWS

- AFM** 3 screws
- CP** 5 screws
- SM** 2 screws
- CM** 30 screws
- SP** 3 screws

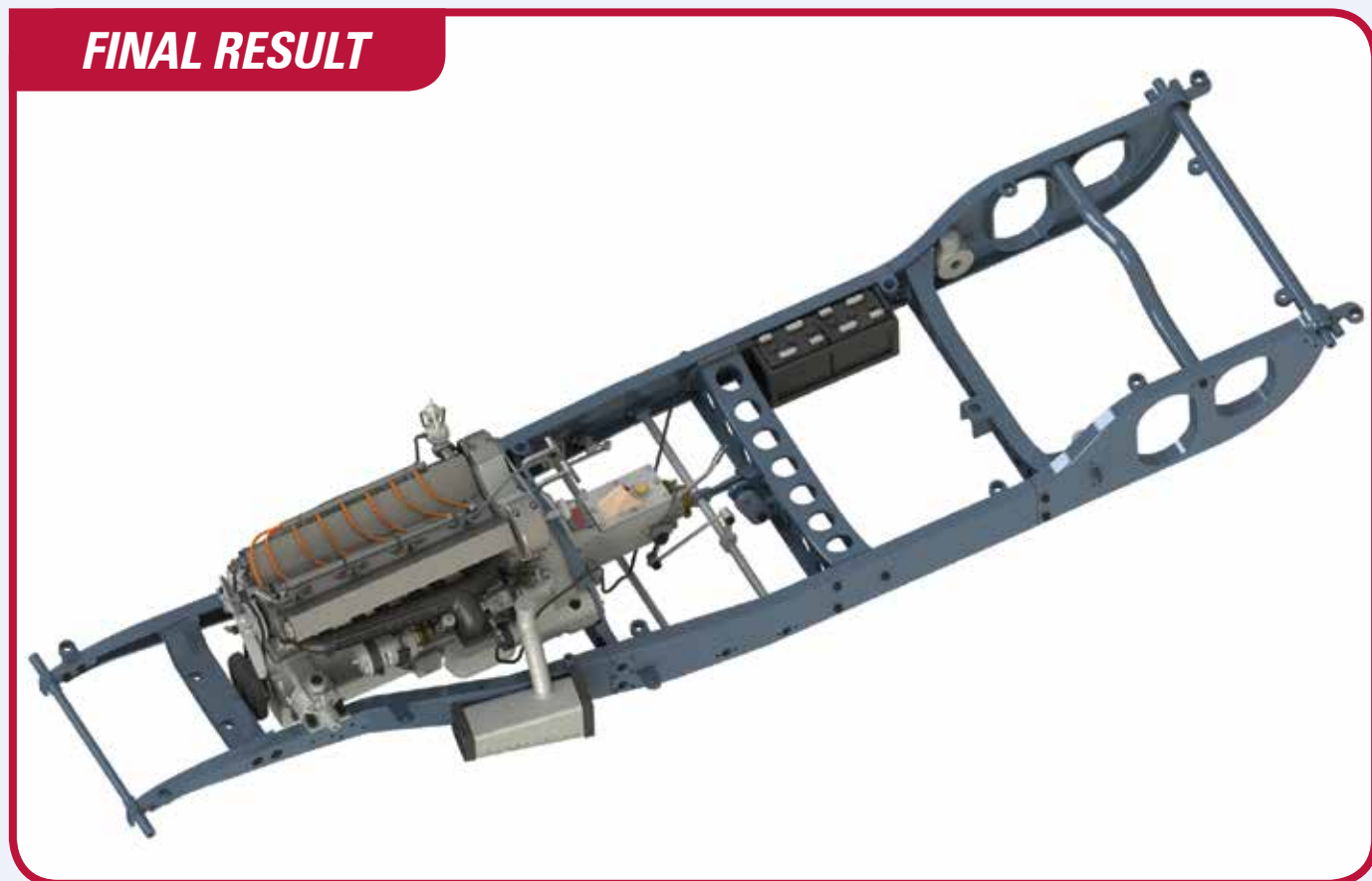
1







FINAL RESULT



23 PARTS LIST

23A



23B



23C



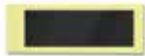
23D



23F



23E



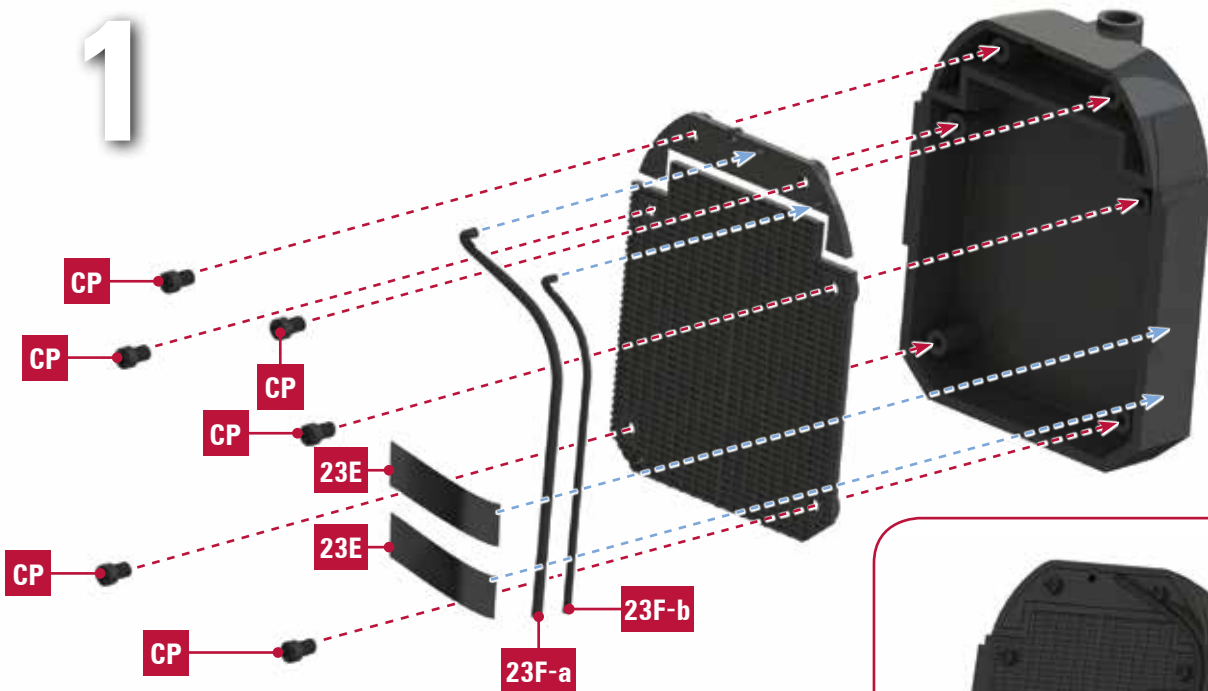
CP (x9)

- 23A Radiator
- 23B Radiator grille
- 23C Radiator cover
- 23D Radiator lower pipe
- 23E Sticker (x2)
- 23F Radiator overflow pipe

SCREWS

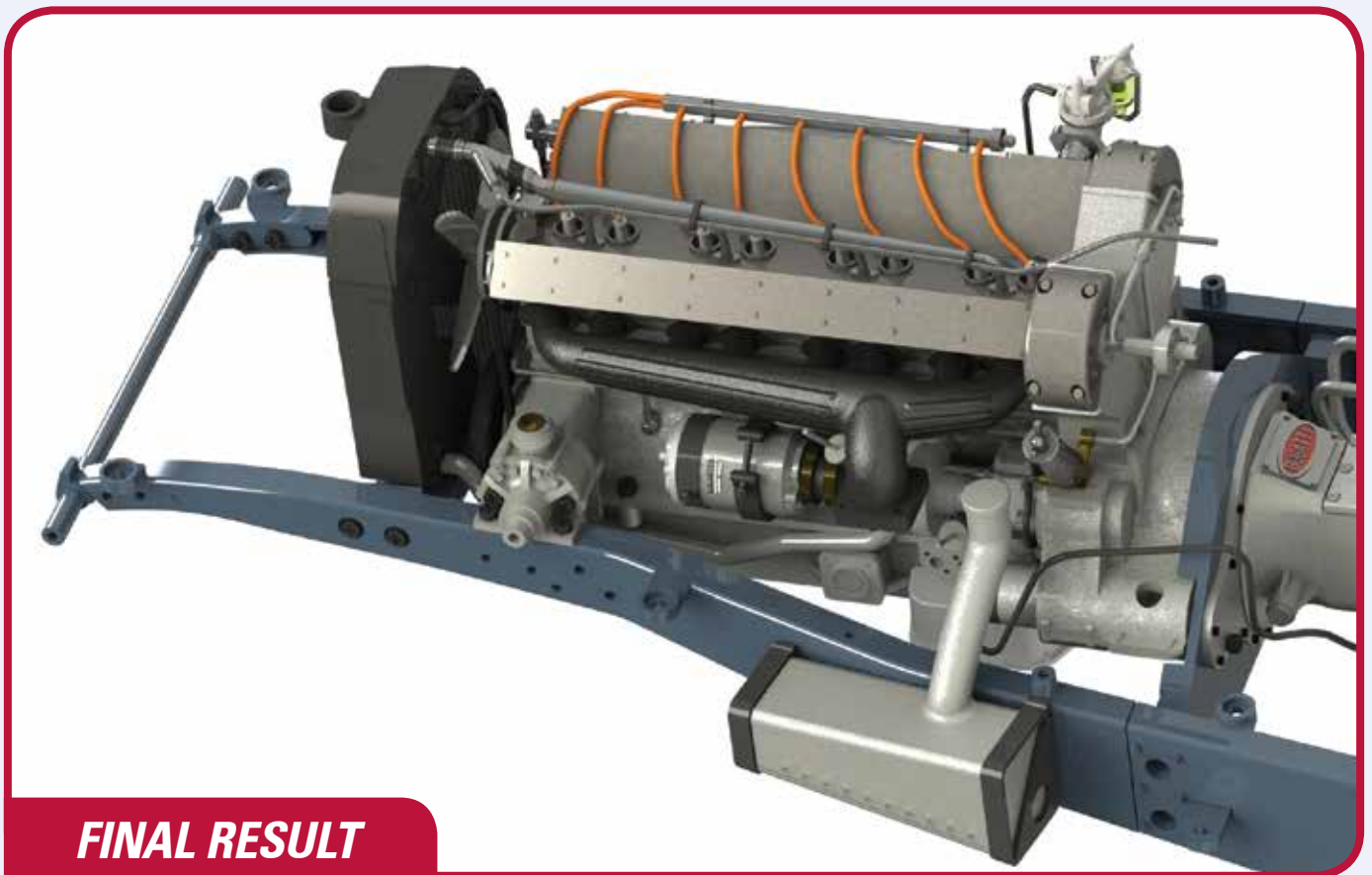
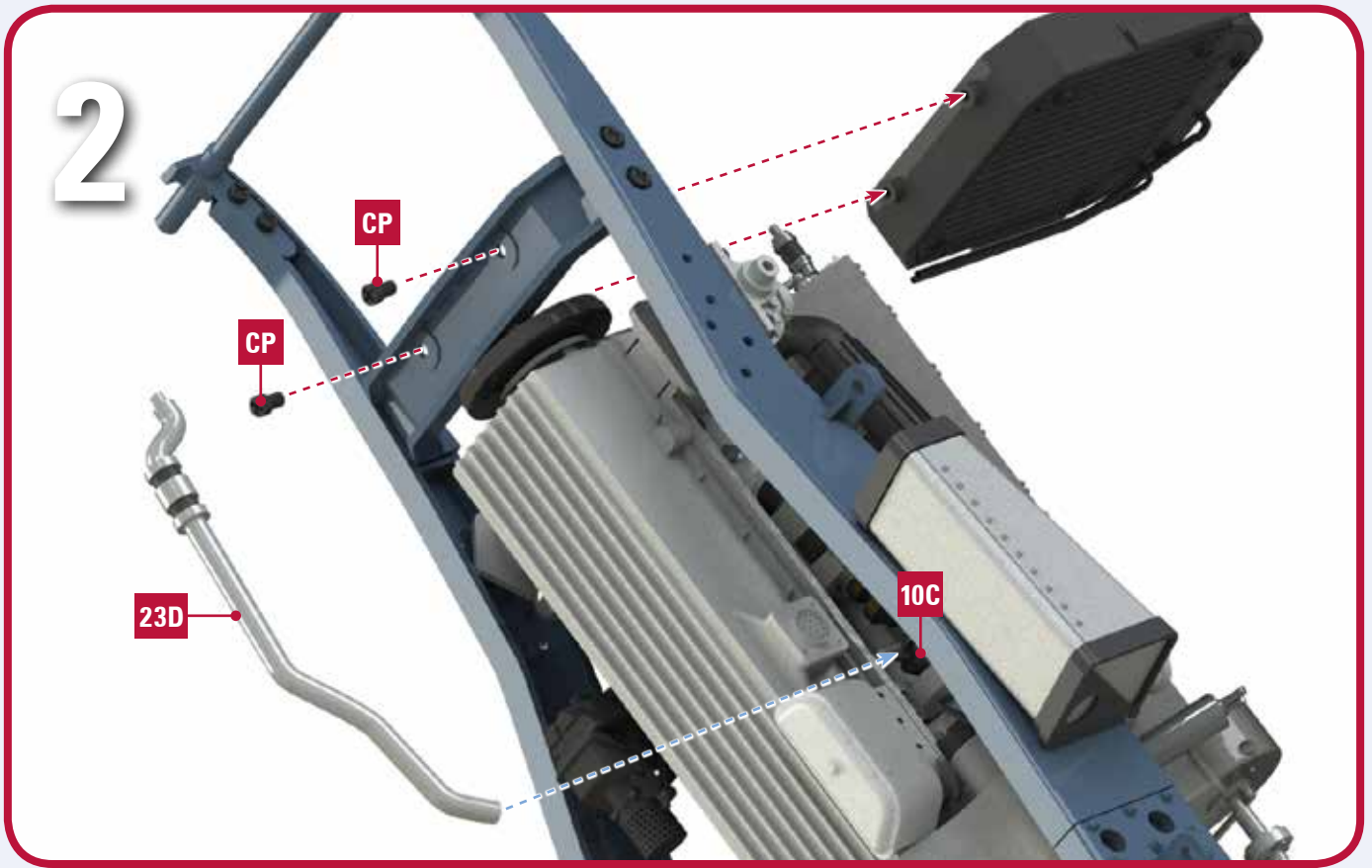
CP 9 screws

1



Components 23F-a (70 mm) and 23F-b (50 mm) must be made from a single tube which must be cut.





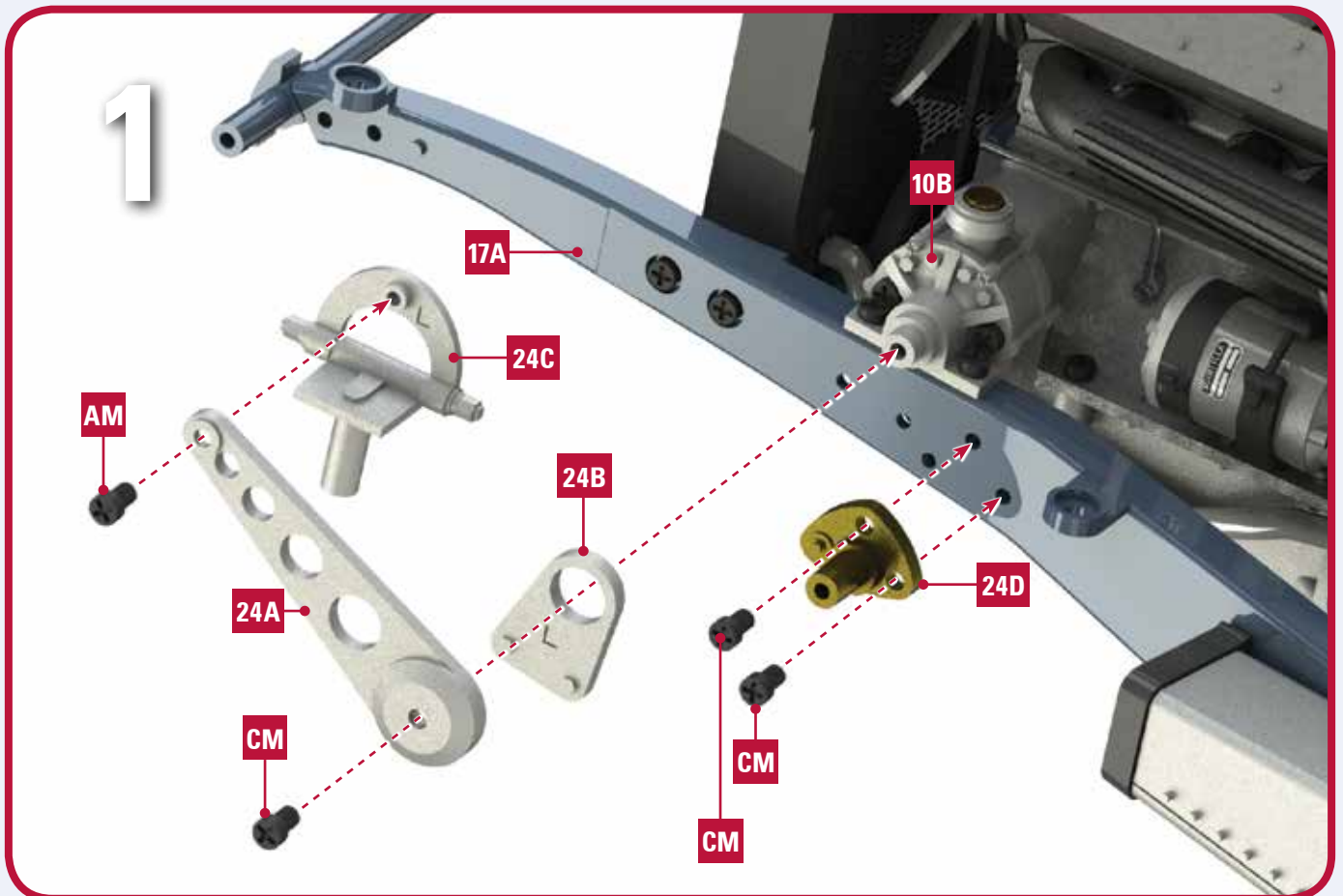
24 PARTS LIST

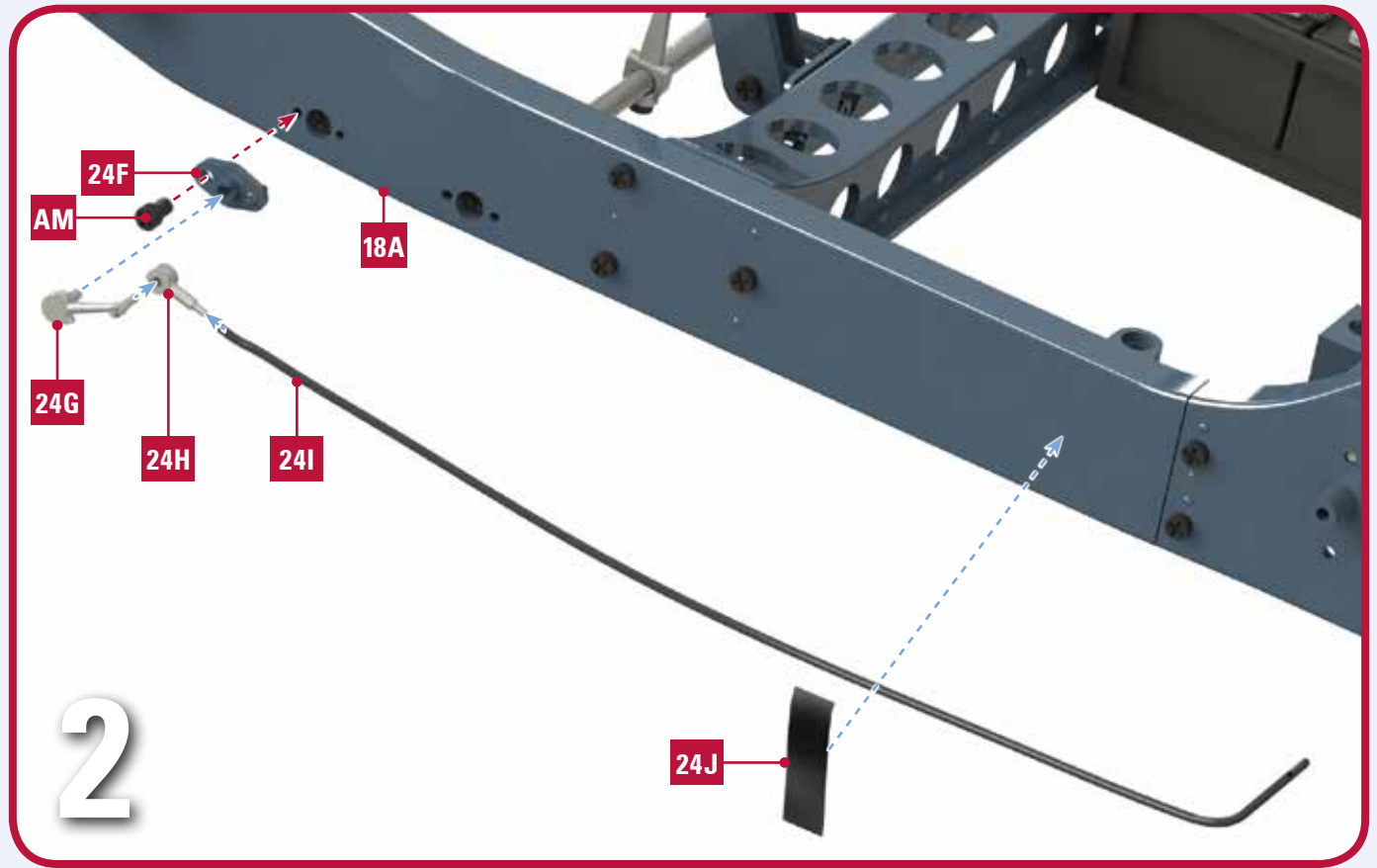


- 24A** Front spring leaf middle retainer A left
- 24B** Front spring leaf middle retainer B left
- 24C** Front spring leaf middle retainer C
- 24D** Front spring leaf rear retainer left

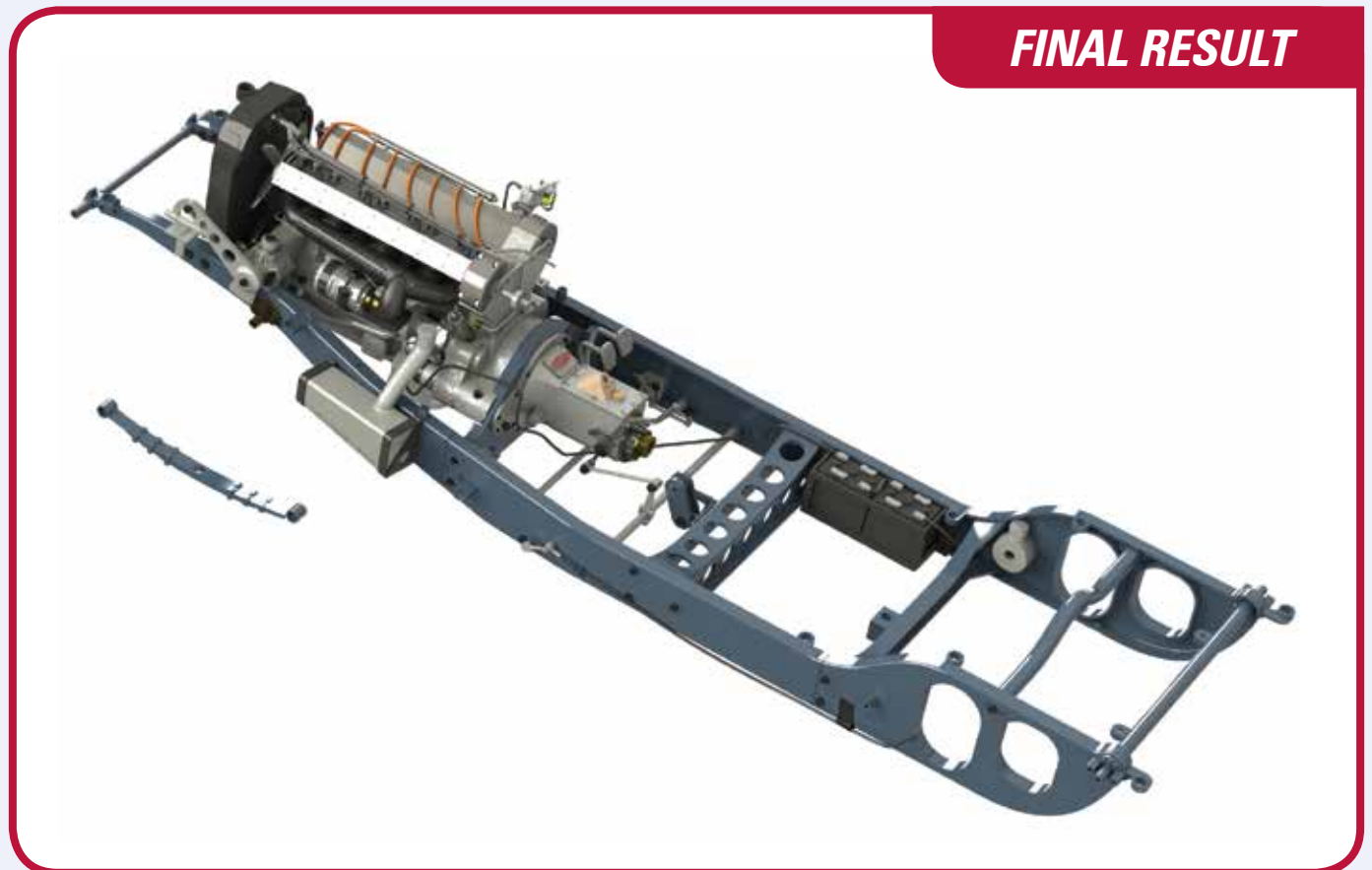
- 24E** Front spring leaf
- 24F** Left rear brake line dial rod seat
- 24G** Left rear brake line dial lever
- 24H** Left rear brake line connector
- 24I** Left rear wheel brake line
- 24J** Sticker

- SCREWS**
- AM** 3 screws
 - CM** 4 screws





FINAL RESULT



25 PARTS LIST



25A



25B



25C



25D



25E



25F

25G



25H



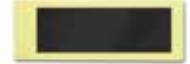
25I



25J



25K



AM (x3)



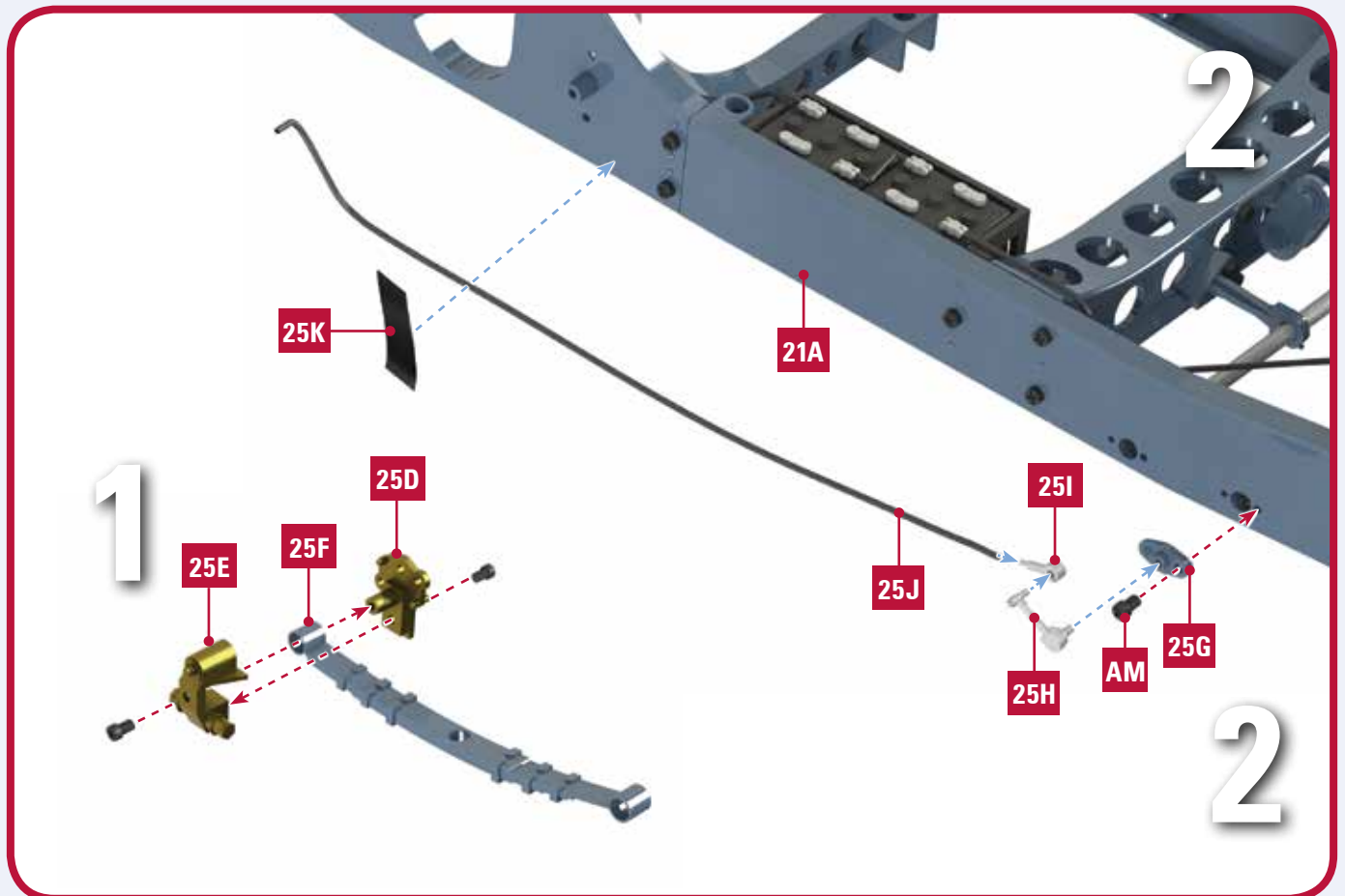
CM (x30)

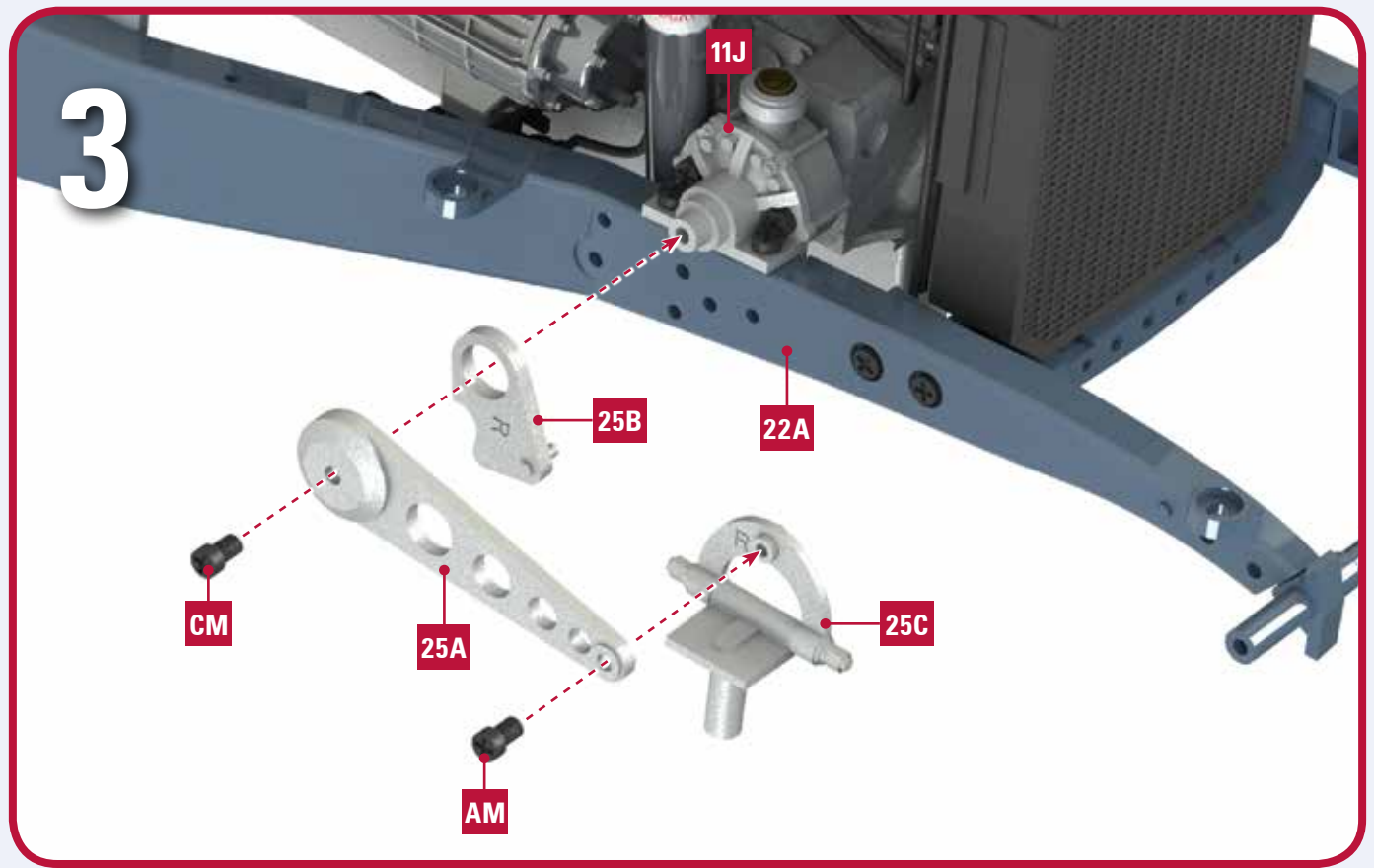


- 25A Front spring leaf middle retainer A right
- 25B Front spring leaf middle retainer B right
- 25C Front spring leaf middle retainer C
- 25D Front spring leaf rear retainer right A

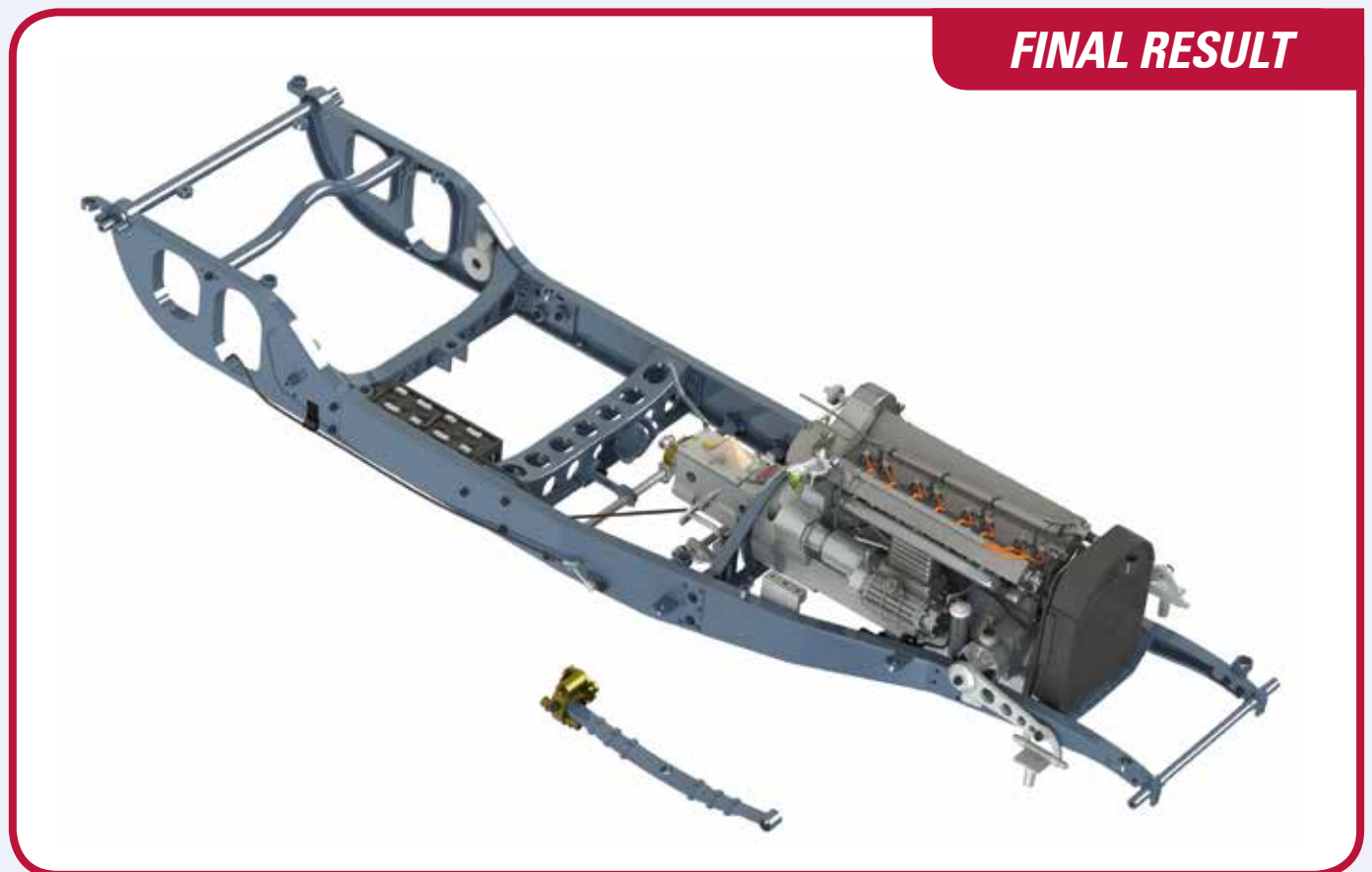
- 25E Front spring leaf rear retainer right A
- 25F Front spring leaf
- 25G Right rear brake line dial rod seat
- 25H Right rear brake line dial lever

- 25I Right rear brake line connector
- 25J Left rear wheel brake line
- 25K Sticker
- SCREWS**
- AM 3 screws
- CM 4 screws





FINAL RESULT



26 PARTS LIST



26B (x2)

26C (x2)

26D (x2)

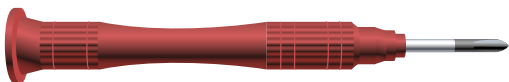


CM (x8)



DM (x4)

SCREWDRIVER



- 26A Front axle
- 26B Spring plate fixing block (x2)
- 26C Spring plate fixing plate (x2)
- 26D Front axle block (x2)

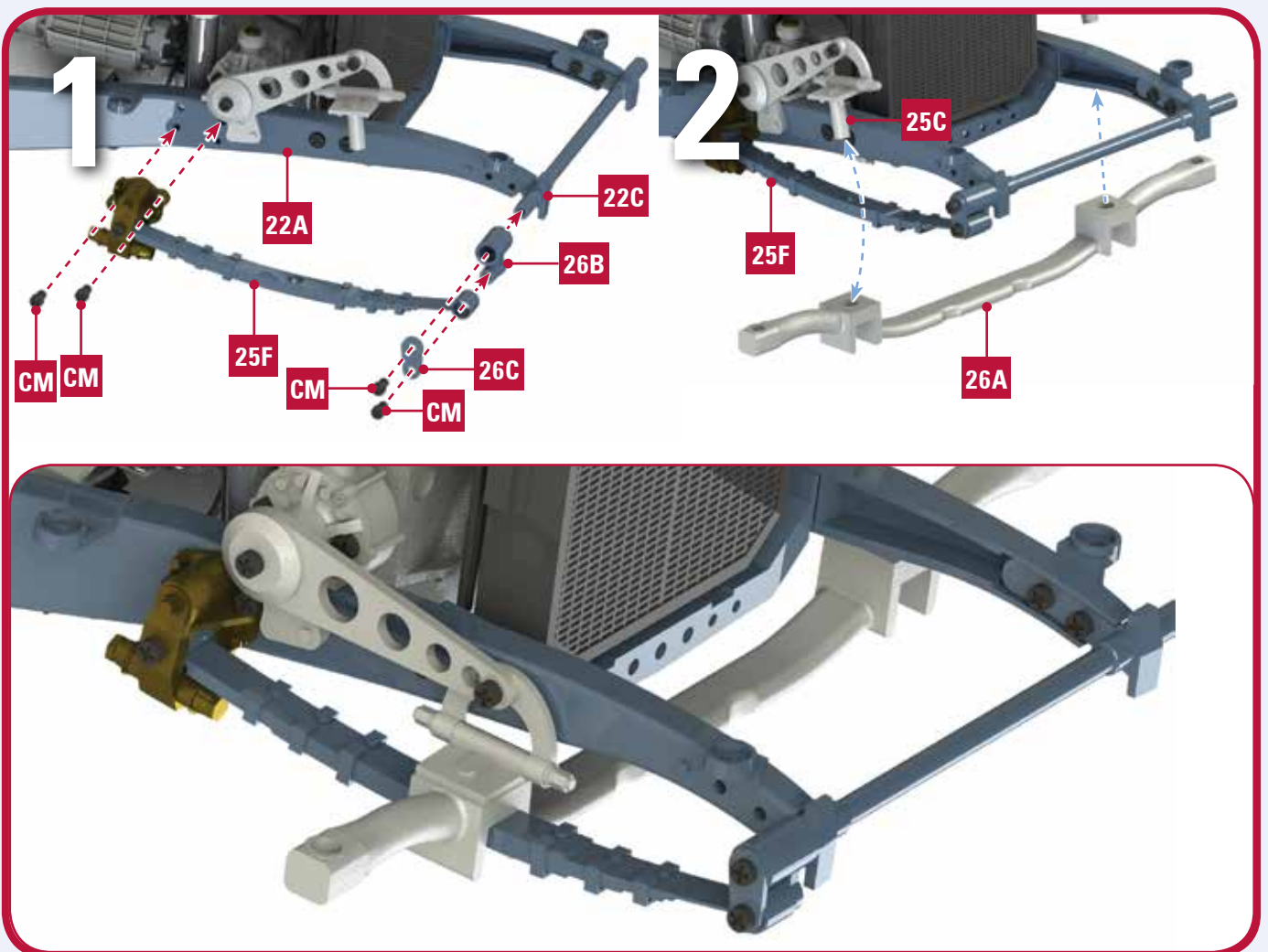
SCREWS

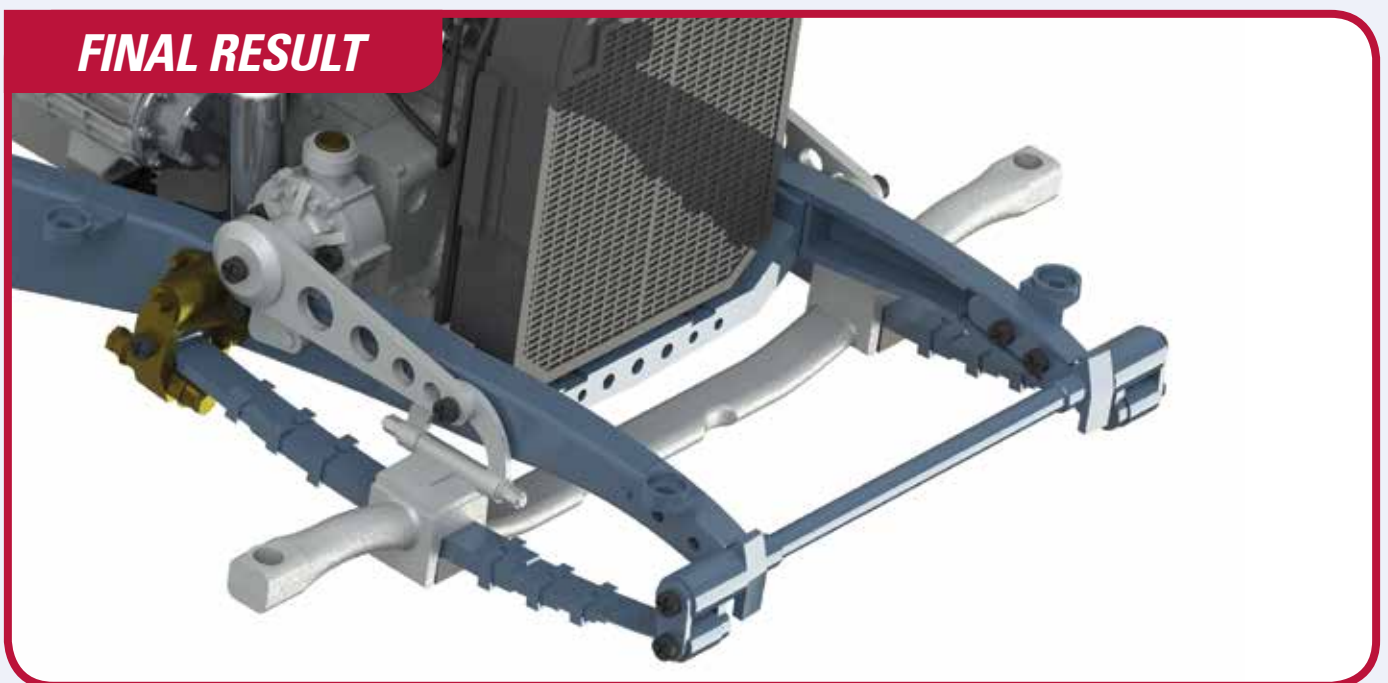
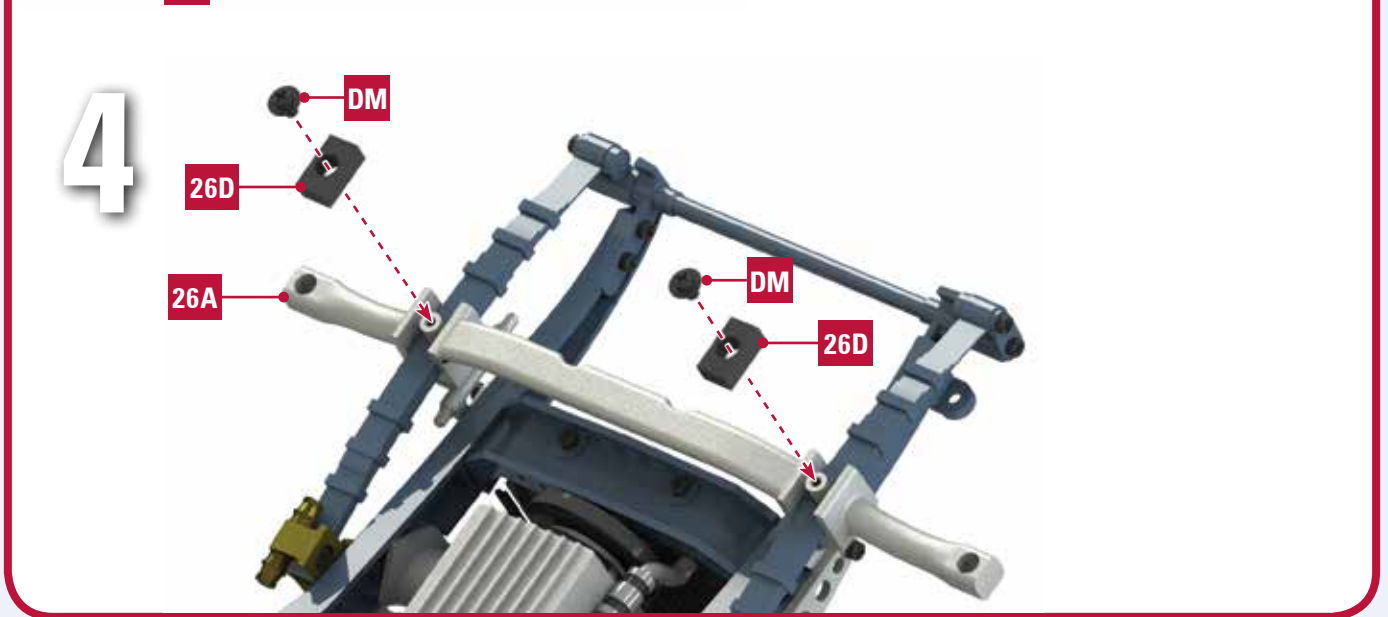
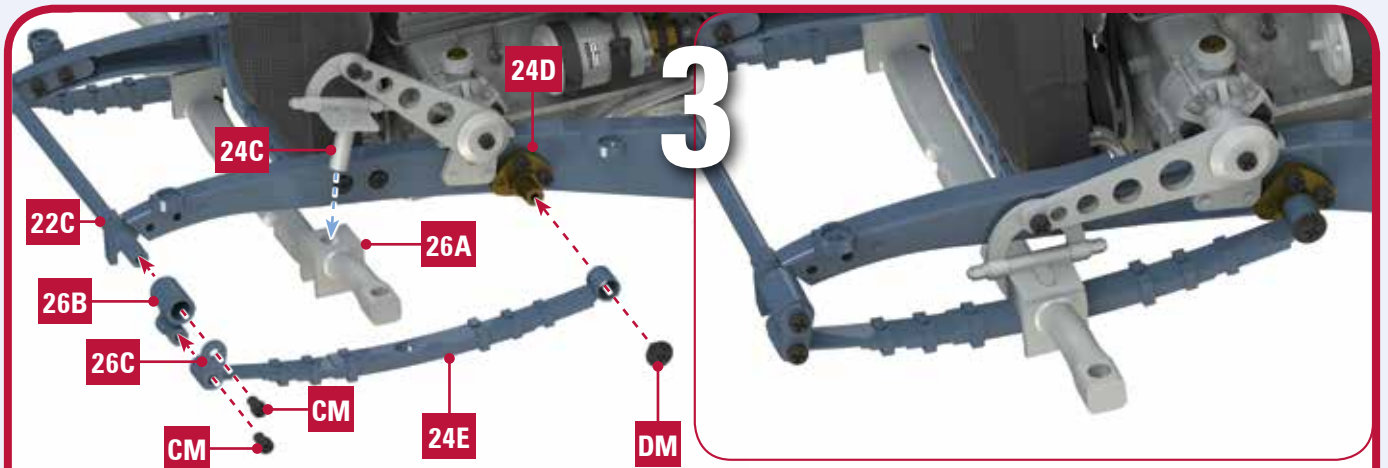
CM 8 screws

DM 4 screws

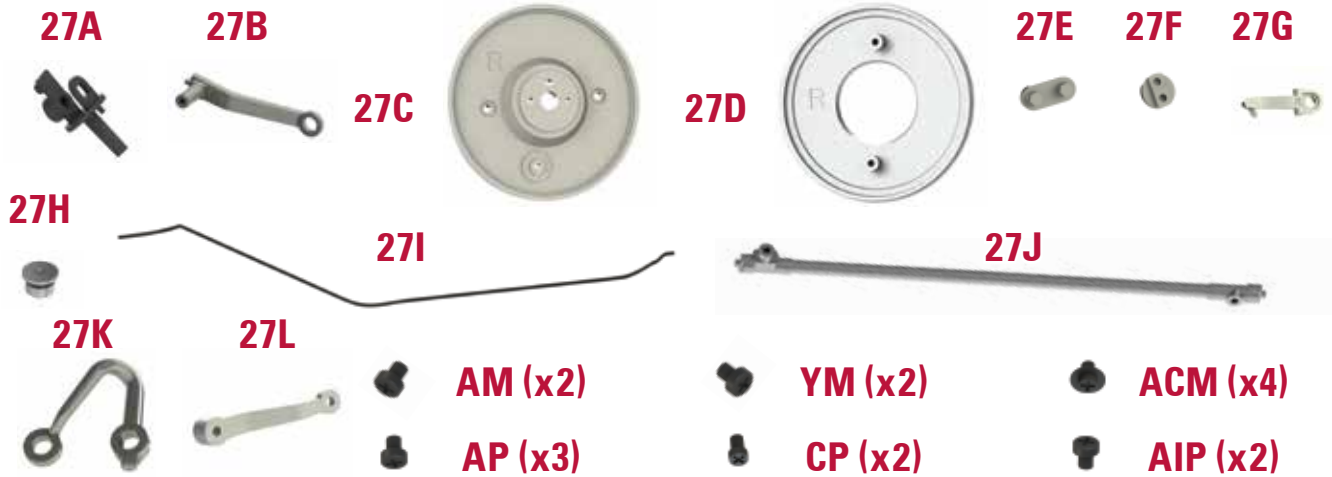
TOOLS

Screwdriver





27 PARTS LIST

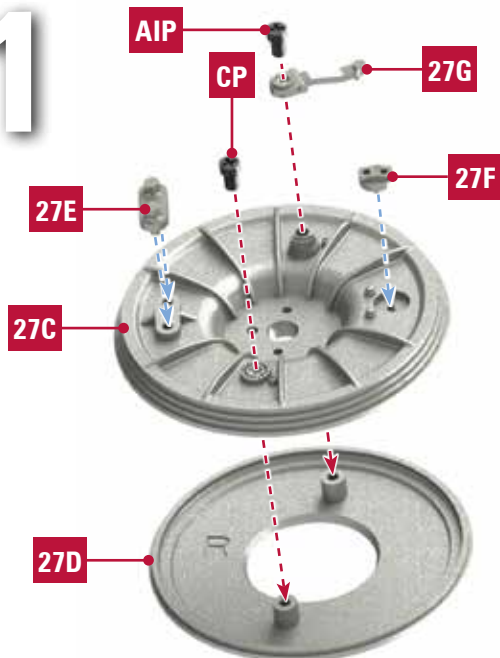


27A Right front axle stub
27B Steering rod right
27C Right front wheel brake drum
27D Right front wheel brake drum outside
27E Front wheel brake drum detail A

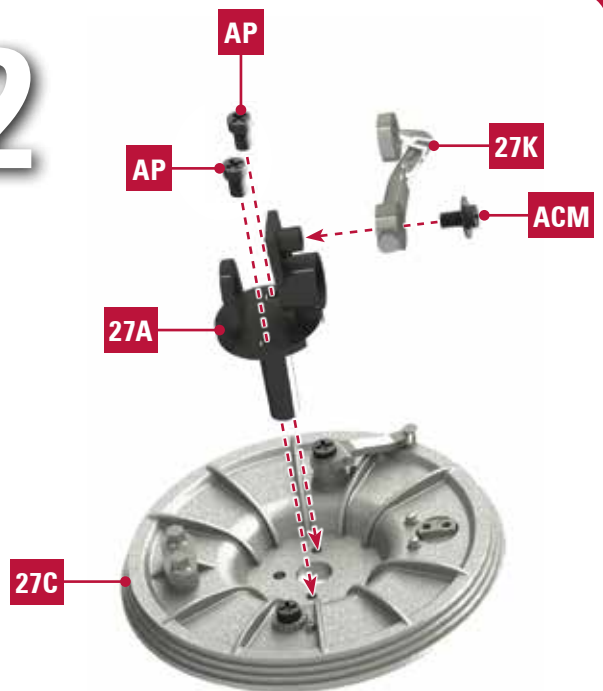
27F Front wheel brake drum detail B
27G Right front wheel brake rod
27H Front wheel brake lines bracket
27I Right front wheel brake lines
27J Drag link
27K Front tie rod
27L Steering fork

SCREWS
AM 2 screws
YM 2 screws
ACM 4 screws
AP 3 screws
CP 2 screws
AIP 2 screws

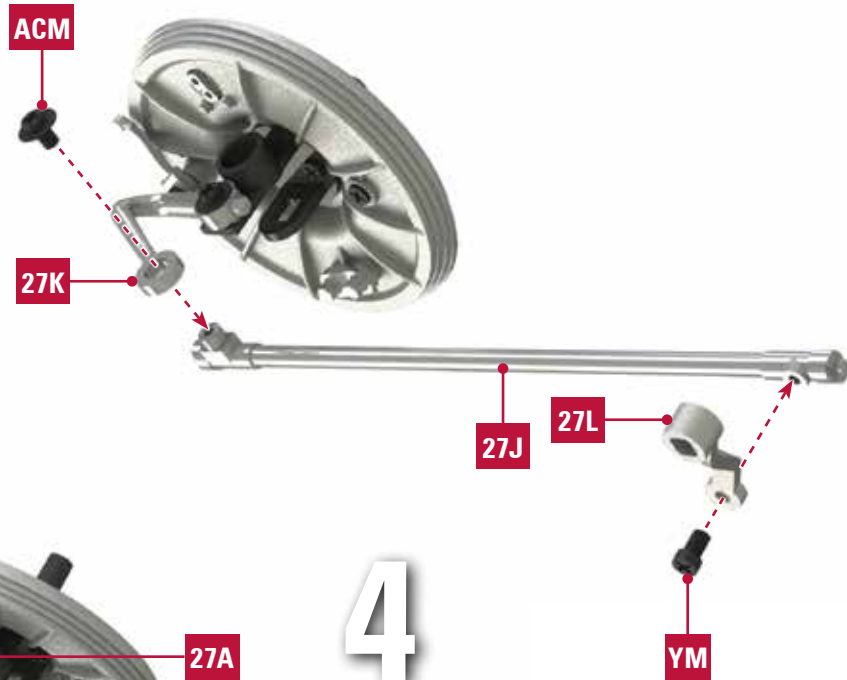
1



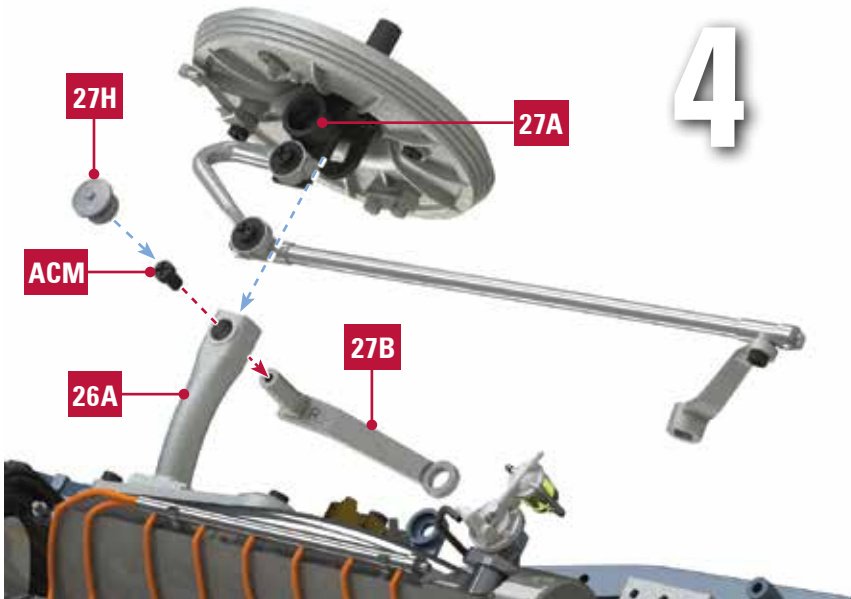
2



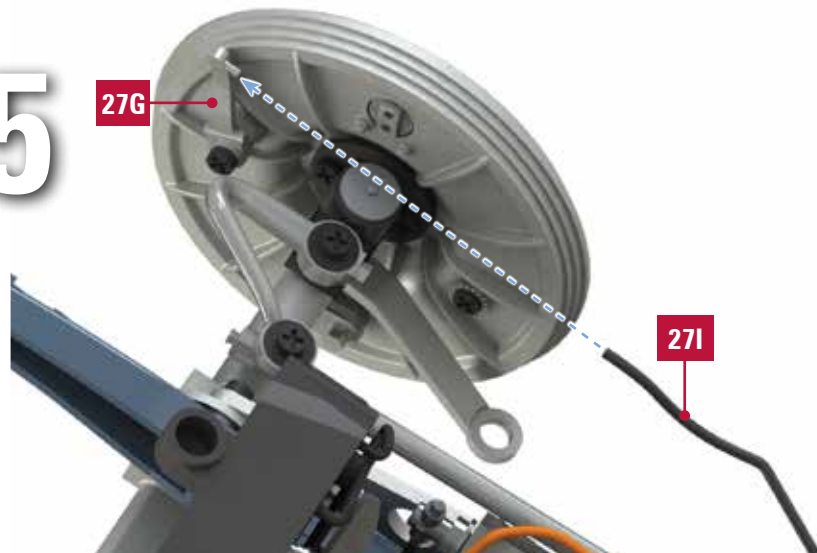
3

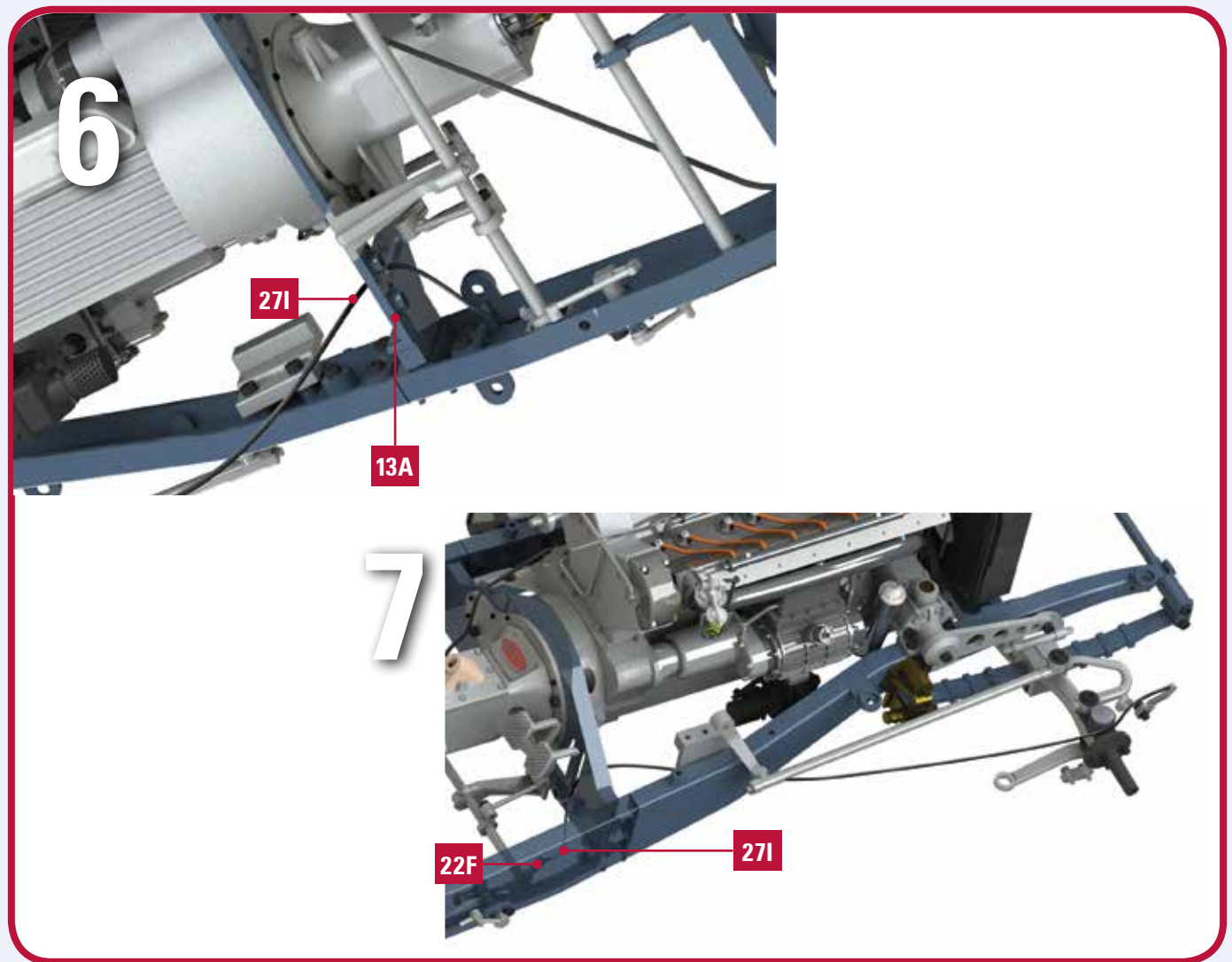


4

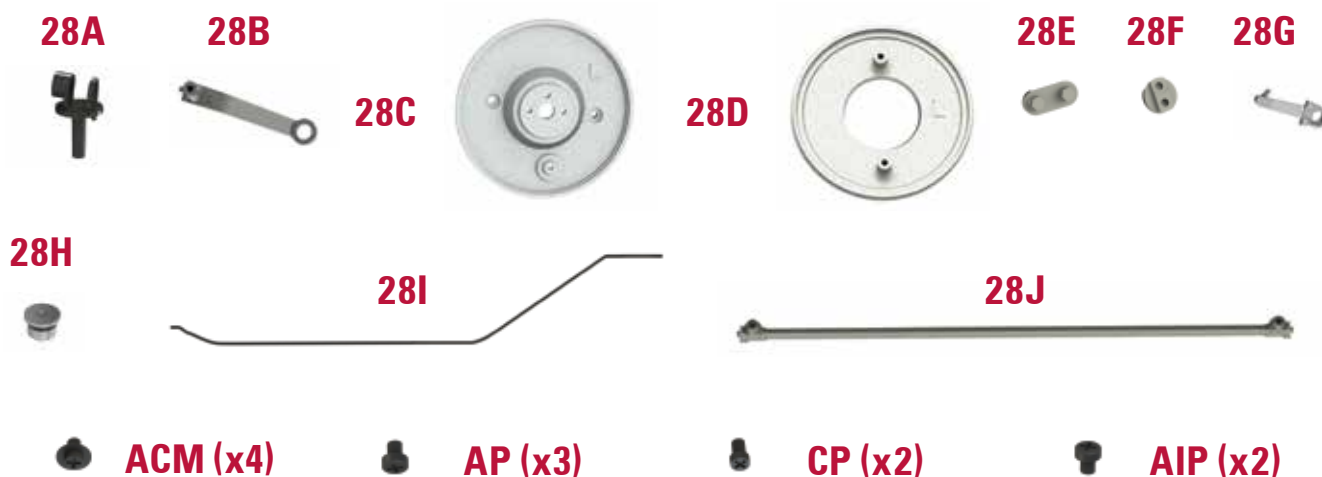


5

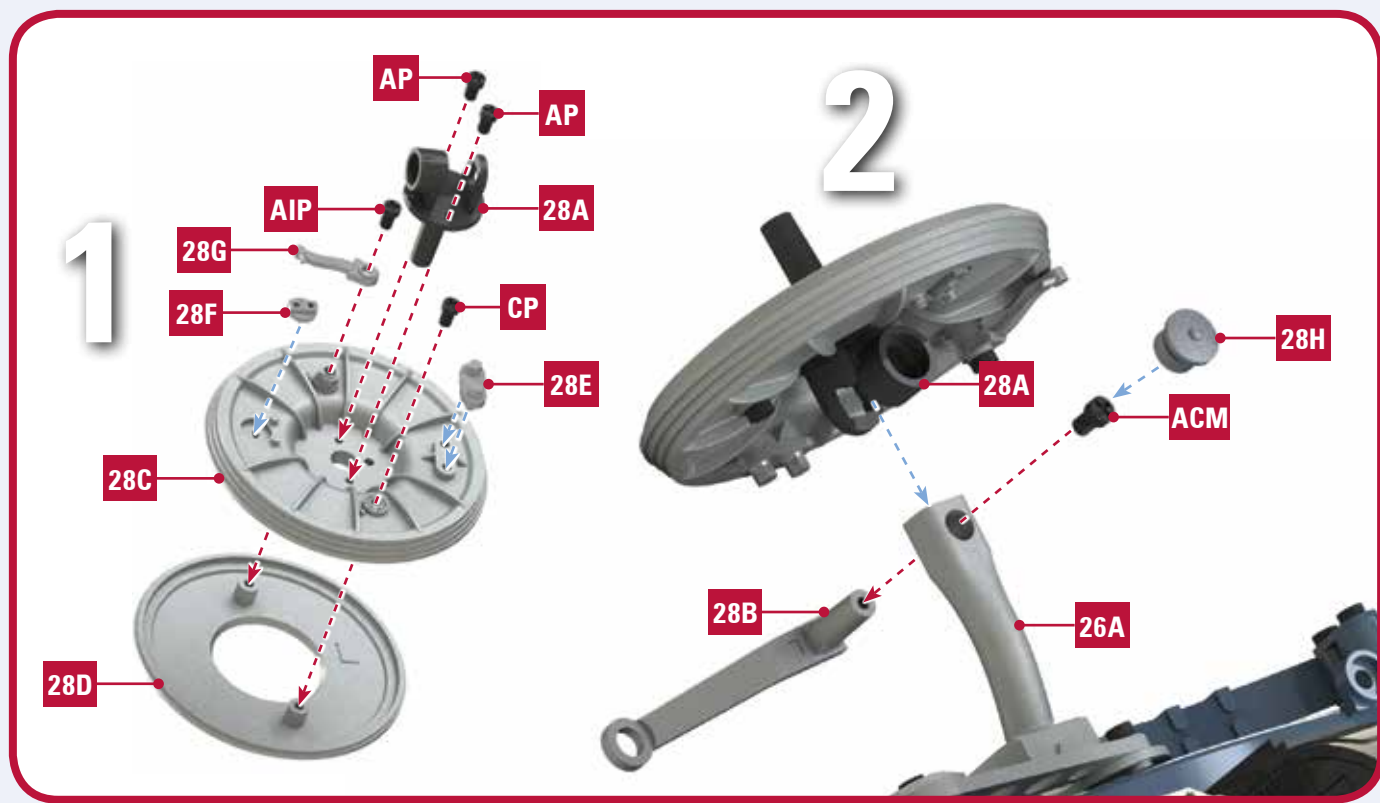




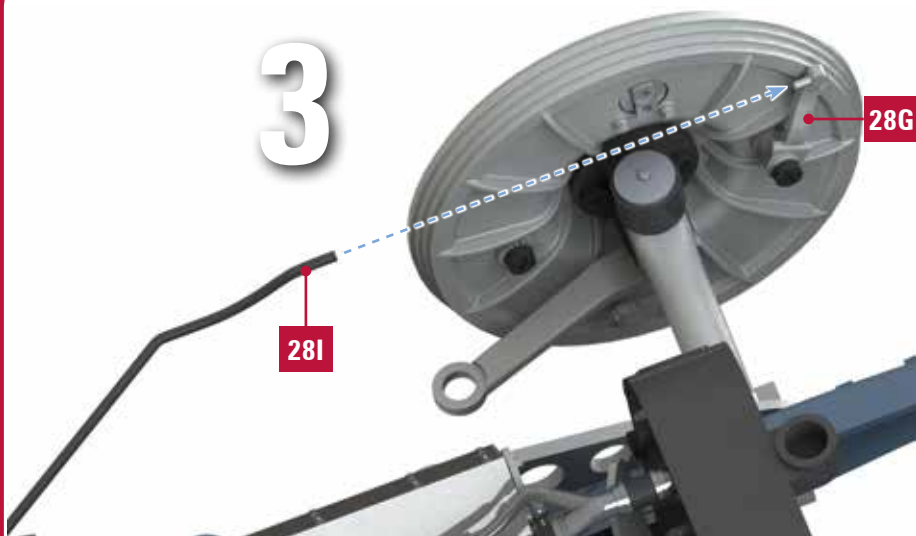
28 PARTS LIST



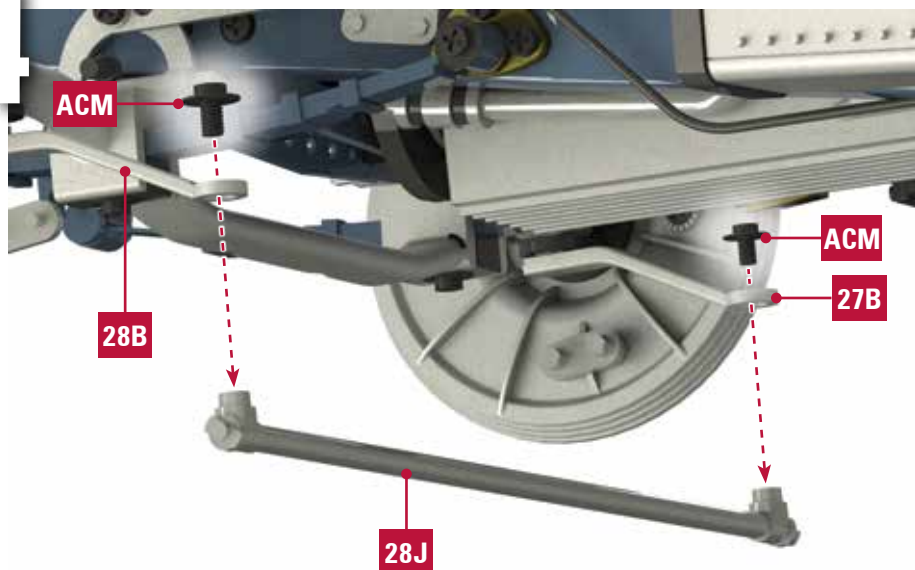
- | | | |
|--|--|---------------------|
| 28A Left front axle stub | detail A | 28J Tie rod |
| 28B Steering rod left | 28F Front wheel brake drum detail B | SCREWS |
| 28C Left front wheel brake drum | 28G Left front wheel brake rod | ACM 4 screws |
| 28D Left front wheel brake drum outside | 28H Front wheel brake lines bracket | AP 3 screws |
| 28E Front wheel brake drum | 28I Left front wheel brake lines | CP 2 screws |
| | | AIP 2 screws |



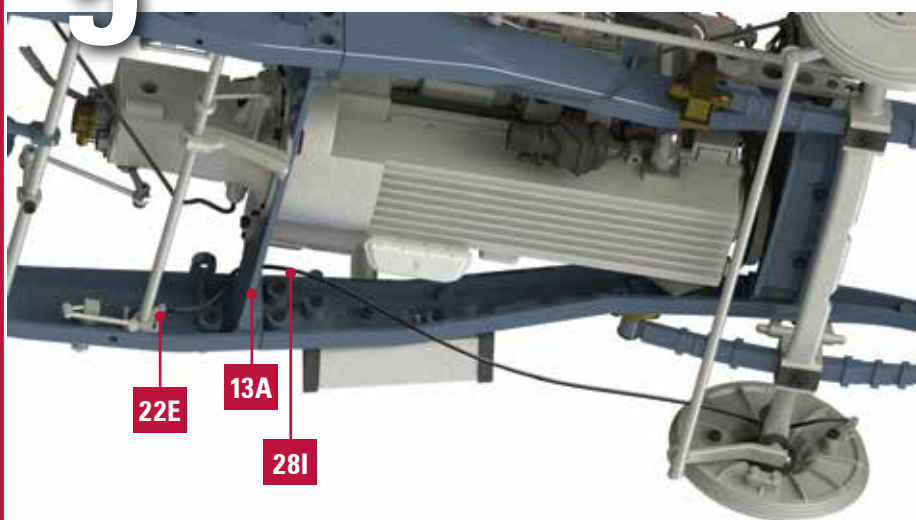
3



4



5



FINAL RESULT



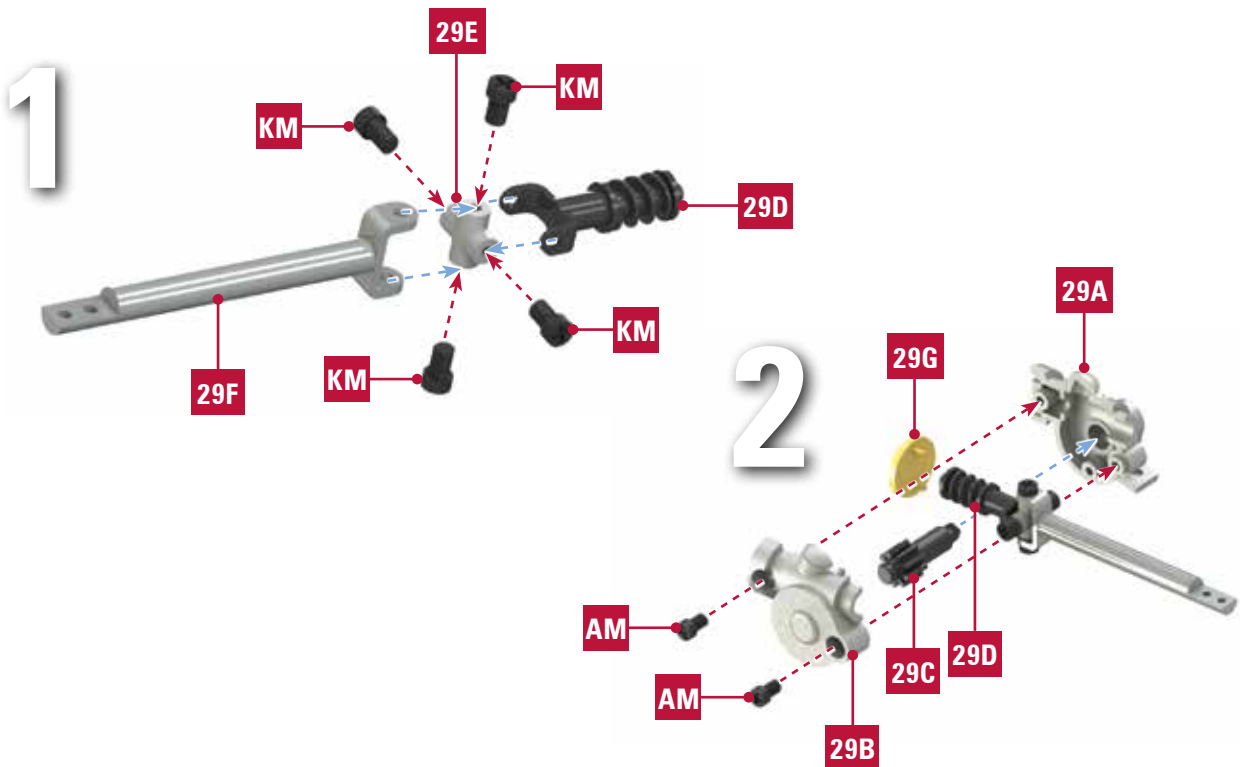
29 PARTS LIST



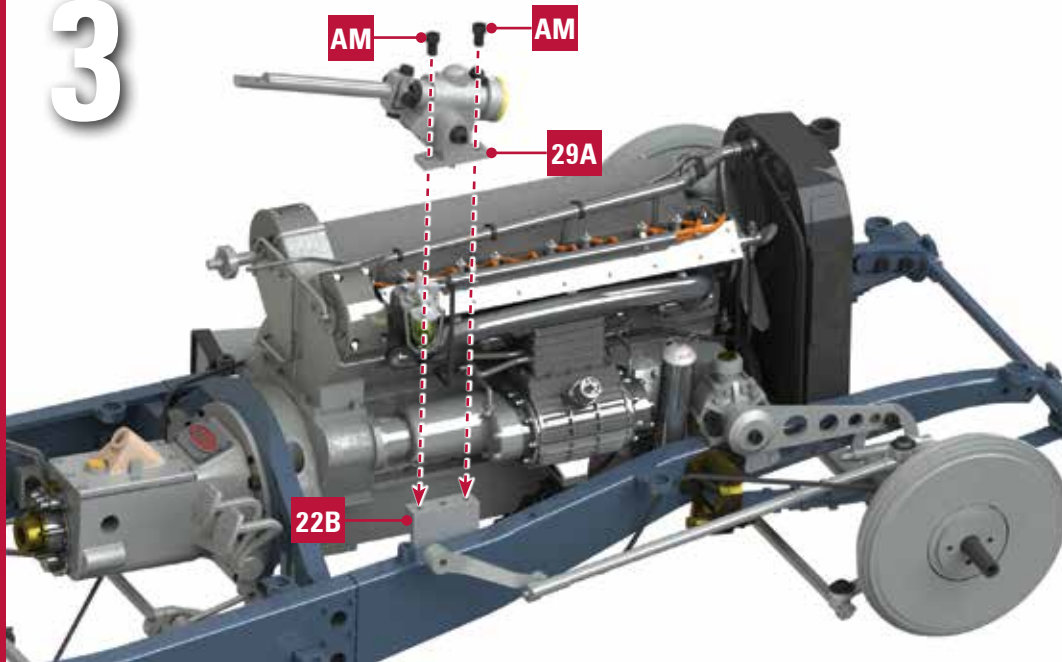
29A Steering gear outer box
29B Steering gear inner box
29C Gear
29D Worm gear
29E Universal joint

29F Steering shaft front part
29G Steering shaft front cover
29H Steering wheel
29I Steering shaft

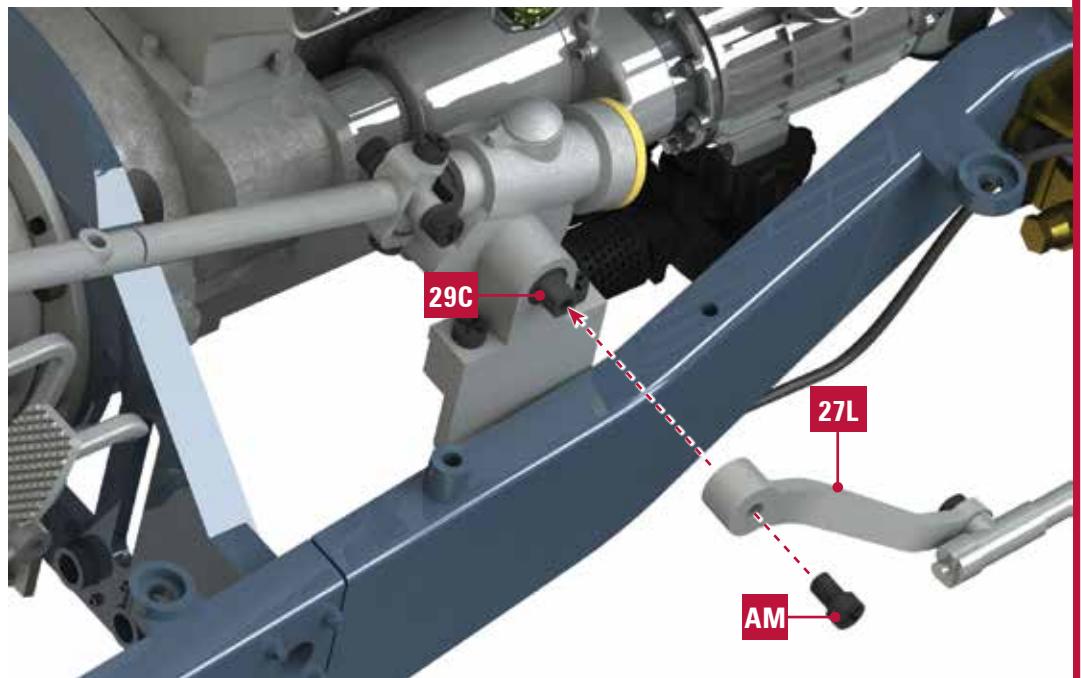
SCREWS
AM 9 screws
KM 5 screws



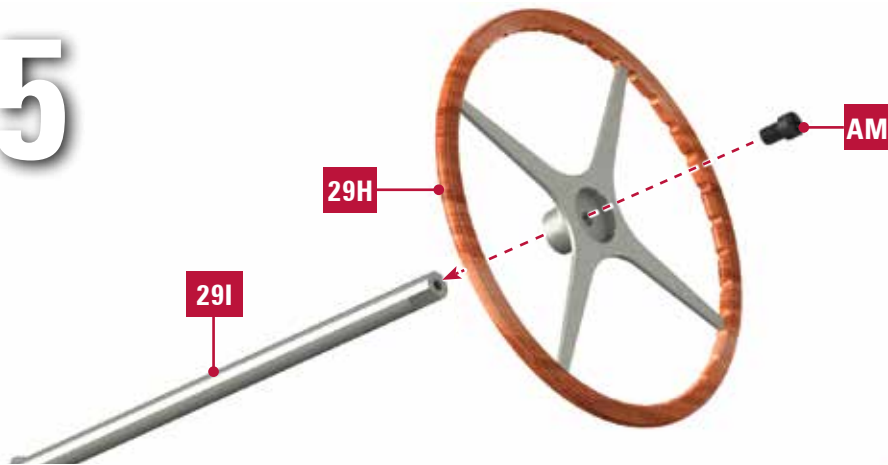
3



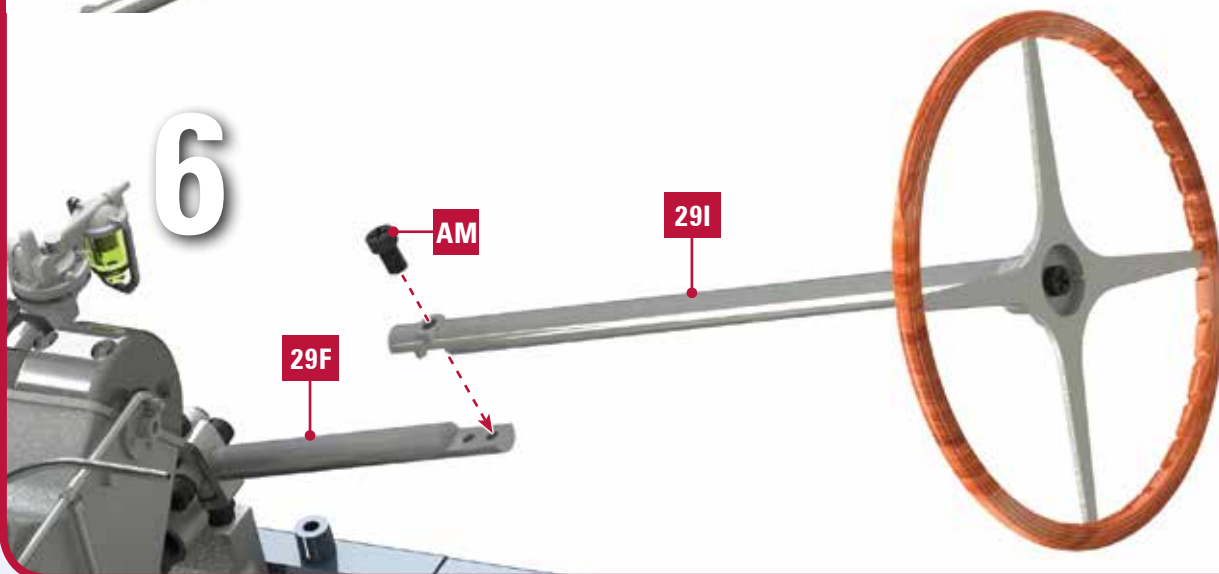
4



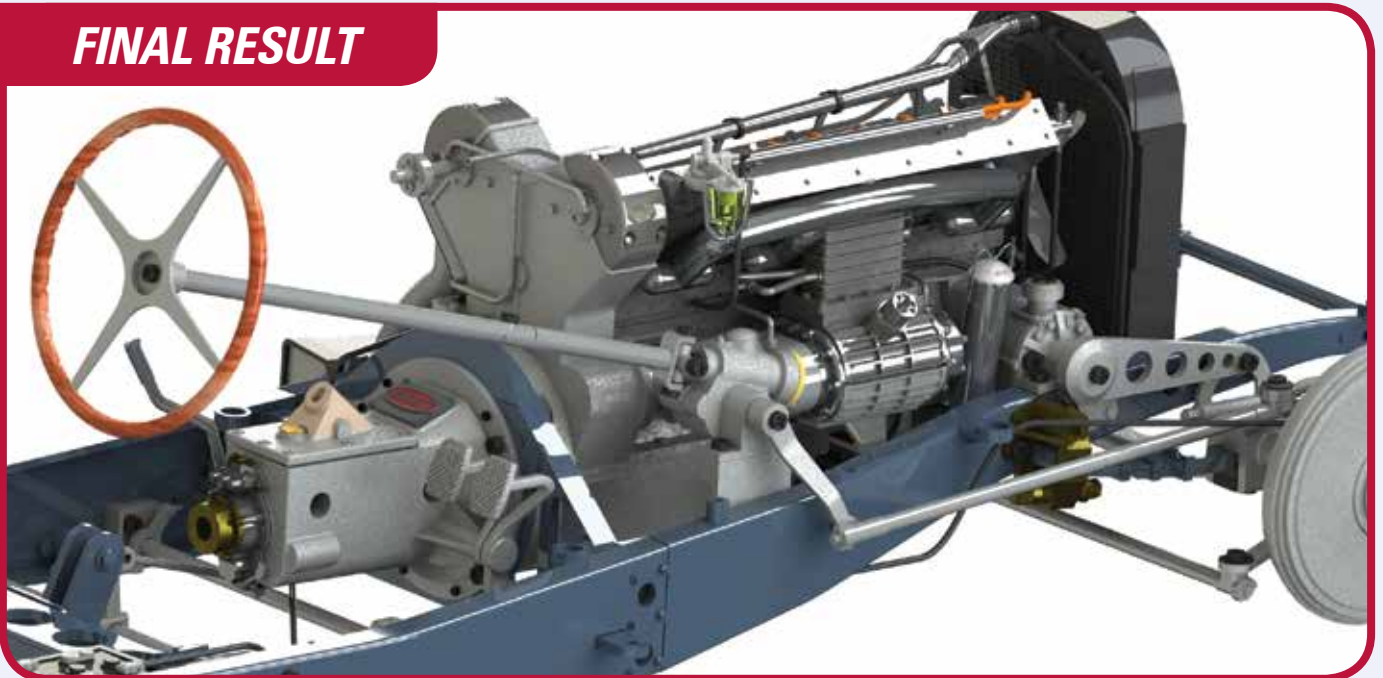
5



6



FINAL RESULT



30 PARTS LIST

30A



30B



30C (X28)



30D (X14)



30E



30F



30G



CM (x4)

DP (x2)

- 30A** Inner wheel A
- 30B** Inner spoke holder
- 30C** Spoke A (x28)
- 30D** Spoke B (x14)

- 30E** Inner wheel B
- 30F** Biadhesive stripe A (x40)
- 30G** Biadhesive stripe B (x40)

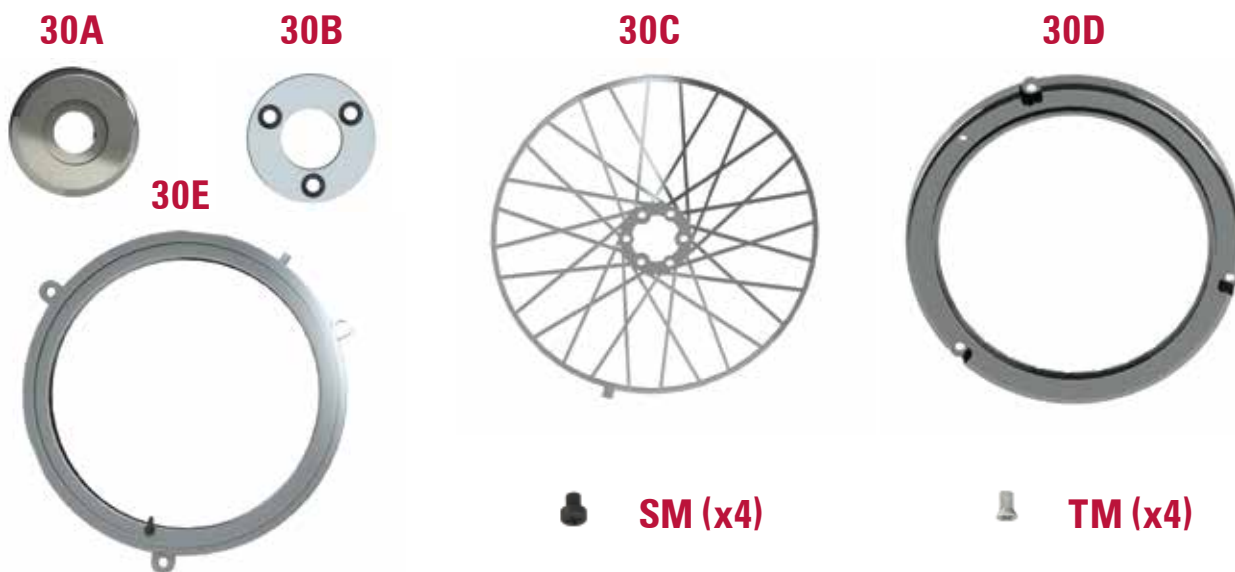
- SCREWS**
- CM** 4 screws
 - DP** 2 screws

FINAL RESULT

Refer to the instructions for kit 14.



30/1 PARTS LIST



30A Spoke holder A
30B Spoke holder B
30C Spoke A

30D Outer wheel
30E Inner wheel

SCREWS
SM 4 screws
TM 4 screws

FINAL RESULT

Refer to the instructions for kit 14/1.



31 PARTS LIST



31A



31B



31C

- 31A** Inner wheel
- 31B** Outer wheel
- 31C** Outer spoke holder
- 31D** Spoke C (x14)
- 31E** Spoke D (x14)
- 31F** Biadhesive strip (x20)

SCREWS

- CM** 8 screws
- KM** 4 screws

31D (x14)



31E (x14)



31F



CM (x8)



KM (x4)



FINAL RESULT

Refer to the instructions for kit 15.



31/1 PARTS LIST

31A



31B



31C



31D



31E



31F



 **CM (x8)**

 **ZM (x4)**

 **TM (x4)**

- 31A** Spoke holder C
- 31B** Spoke holder D
- 31C** Spoke B
- 31D** Inner wheel
- 31E** Inner wheel B
- 31F** Spoke holder D cap

SCREWS

CM 8 screws

ZM 4 screws

TM 4 screws

FINAL RESULT

Refer to the instructions for kit 15/1.



32 PARTS LIST



32A



32B



32C



32D



32E (x2)



32F



DM (x3)

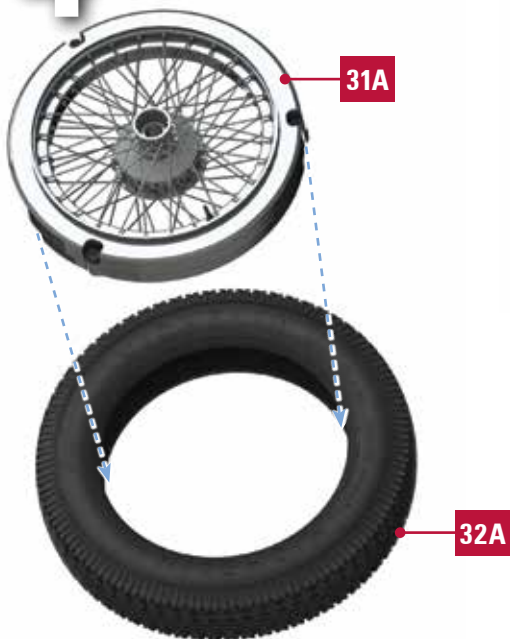
- 32A** Tire
- 32B** Right front wheel cap
- 32C** Right front wheel cap holder

- 32D** Washer
- 32E** Inner washer for spoke wheel (x2)
- 32F** Biadhesive strips

- SCREWS**
DM 3 screws



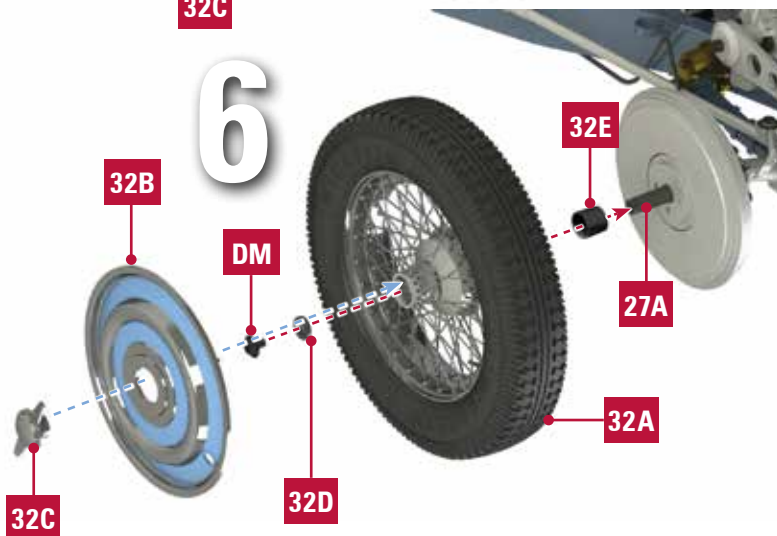
4



5



6



Soak tire 32A for 30 seconds in hot water to soften it. Once removed from water carefully dry the tire, especially inside.

FINAL RESULT



32/1 PARTS LIST

32A



32B



32C



32D



32E



DM (x3)



- 32A** Tire
- 32B** Right front wheel cap
- 32C** Right front wheel cap holder

- 32D** Washer
- 32E** Biadhesive strips

- SCREWS**
- DM** 3 screws





FINAL RESULT



33 PARTS LIST



33A



33B



33C



33D



33E



CM (x5)



AQM (x2)

33A Differential gear box left

33B Drive shaft rear joint

33C Left upper axle

33D Left lower axle

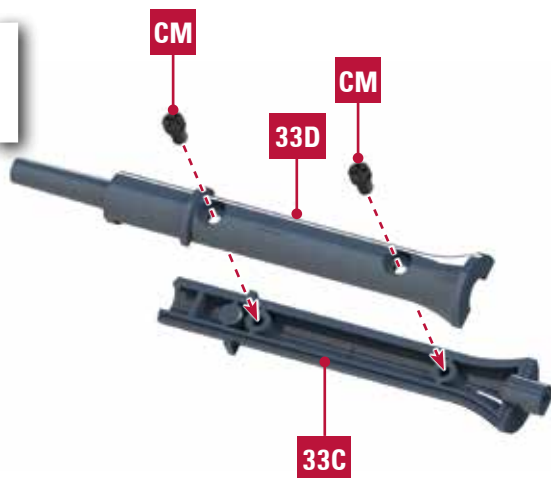
33E Rear spring leaf front bracket

SCREWS

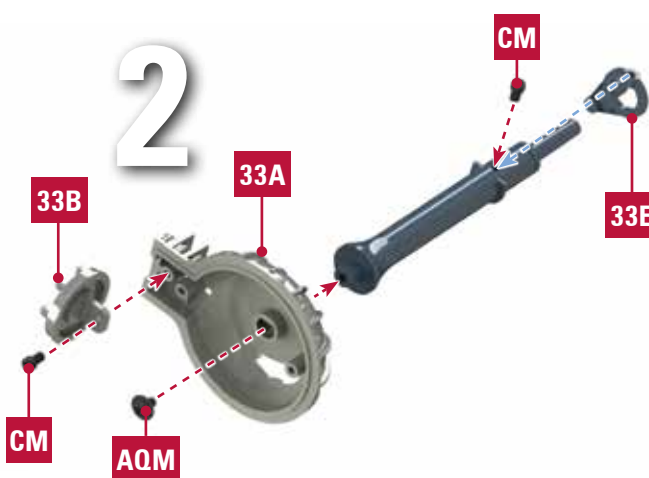
CM 5 screws

AQM 2 screws

1



2



FINAL RESULT



34 PARTS LIST



34A



34B



34D



34C

34E



34F



34G



CM (x7)



AQM (x2)



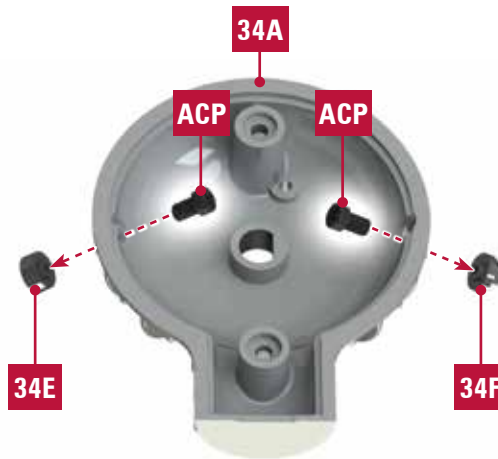
ACP (x3)

- 34A Differential gear box right
- 34B Right upper axle
- 34C Right upper axle
- 34D Rear spring leaf front

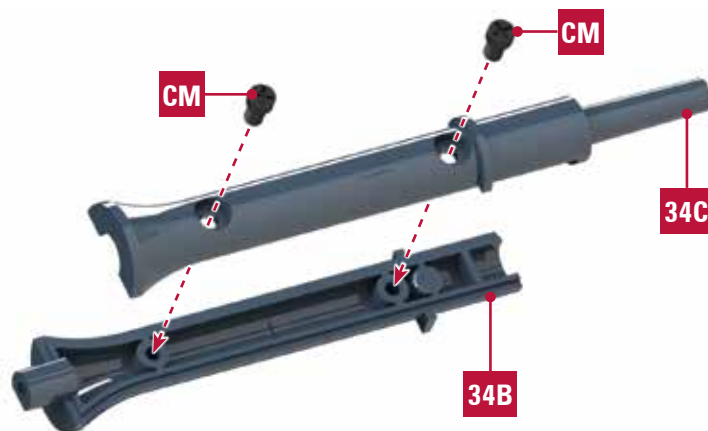
- bracket
- 34E Differential gear box detail A
- 34F Differential gear box detail B
- 34G Differential gear box detail C

- SCREWS**
- CM 7 screws
 - AQM 2 screws
 - ACP 3 screws

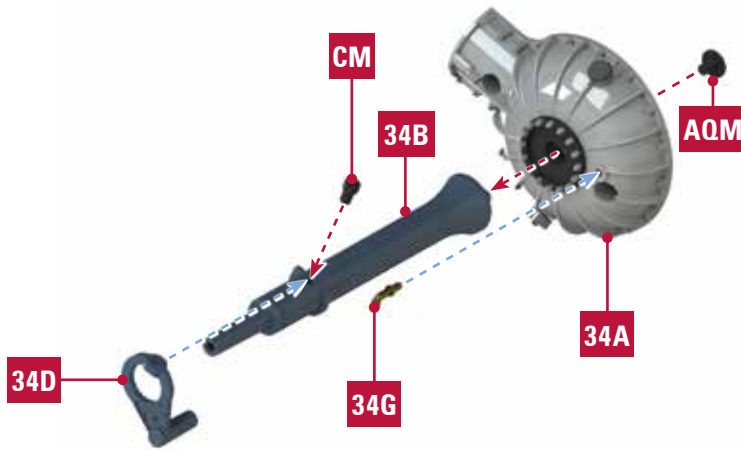
1



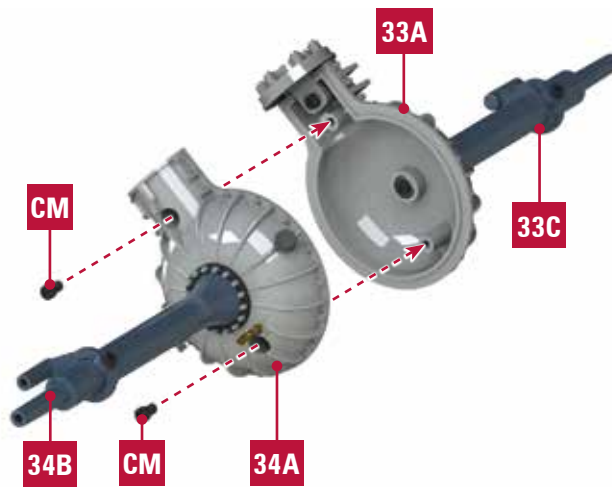
2



3



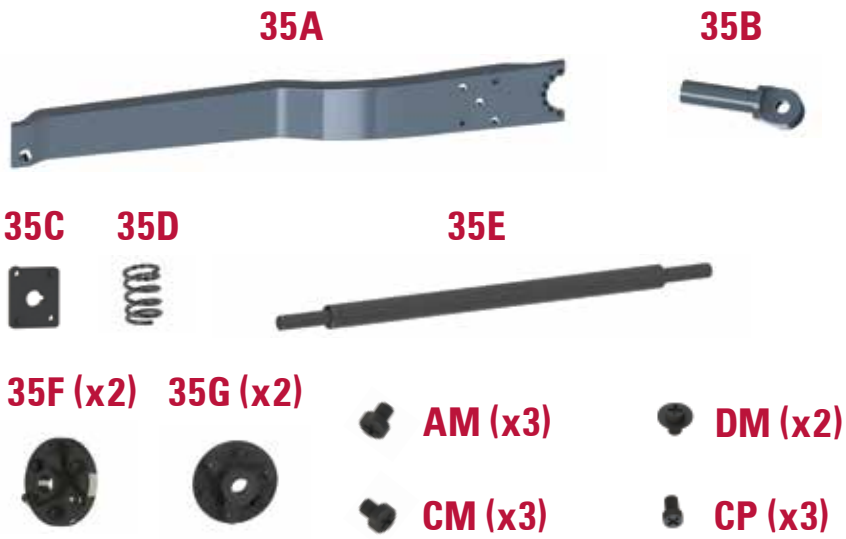
4



FINAL RESULT



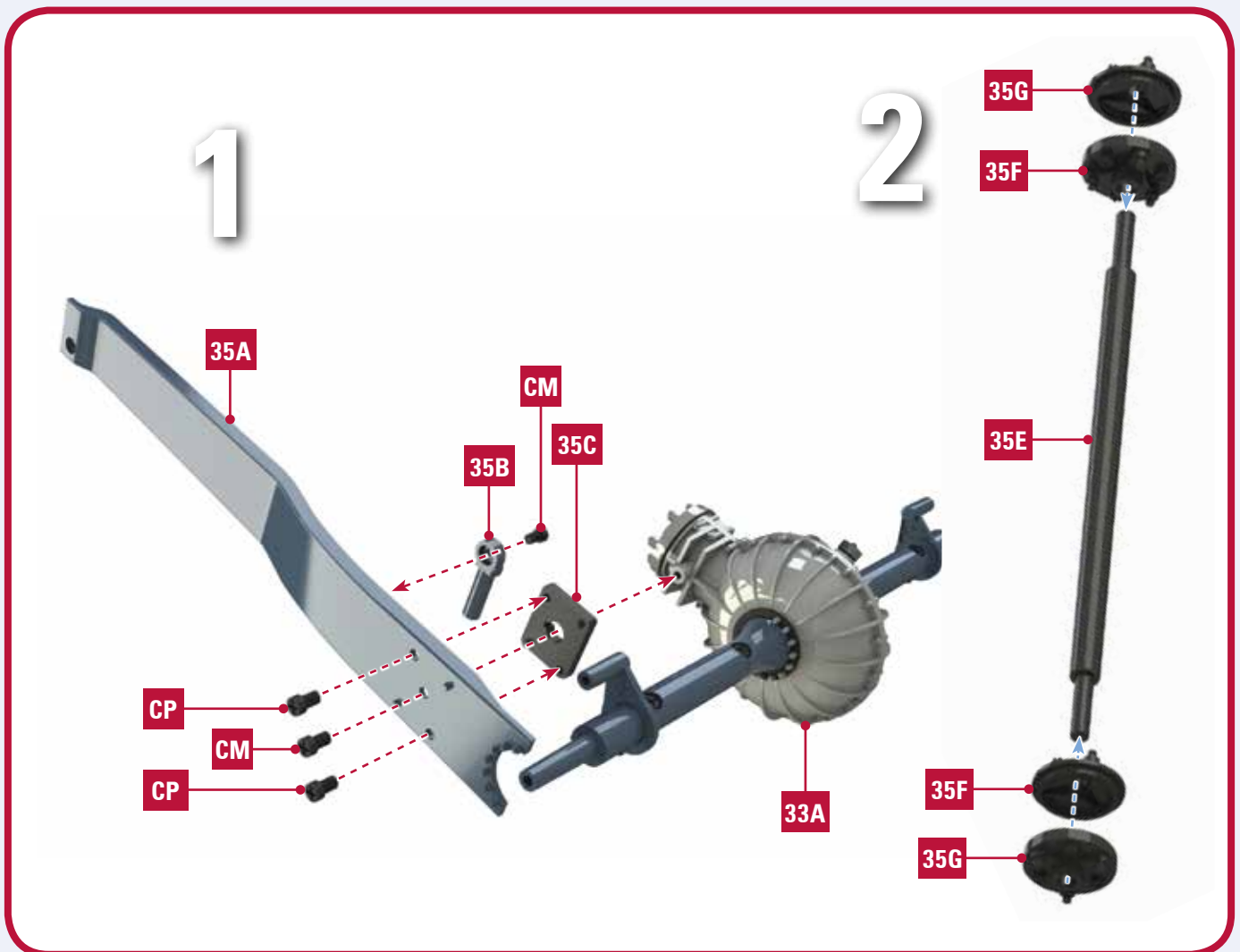
35 PARTS LIST

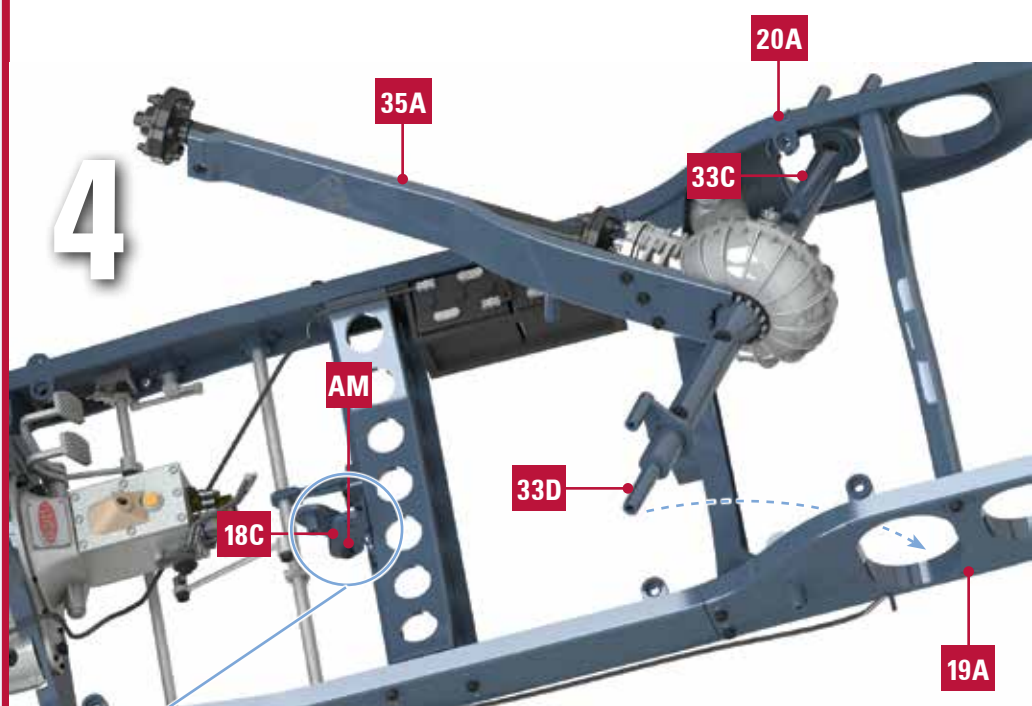
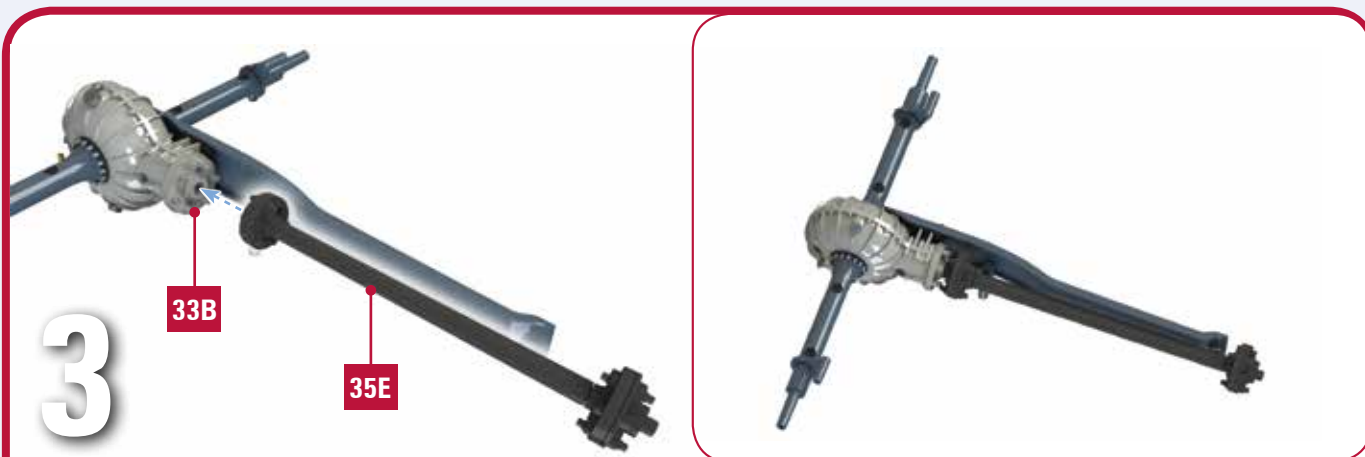


- 35A** Rear axle tie rod
- 35B** Rear axle tie rod spring bracket
- 35C** Rear axle tie rod gasket
- 35D** Rear suspension spring
- 35E** Drive shaft
- 35F** Drive shaft joint A
- 35G** Drive shaft joint B

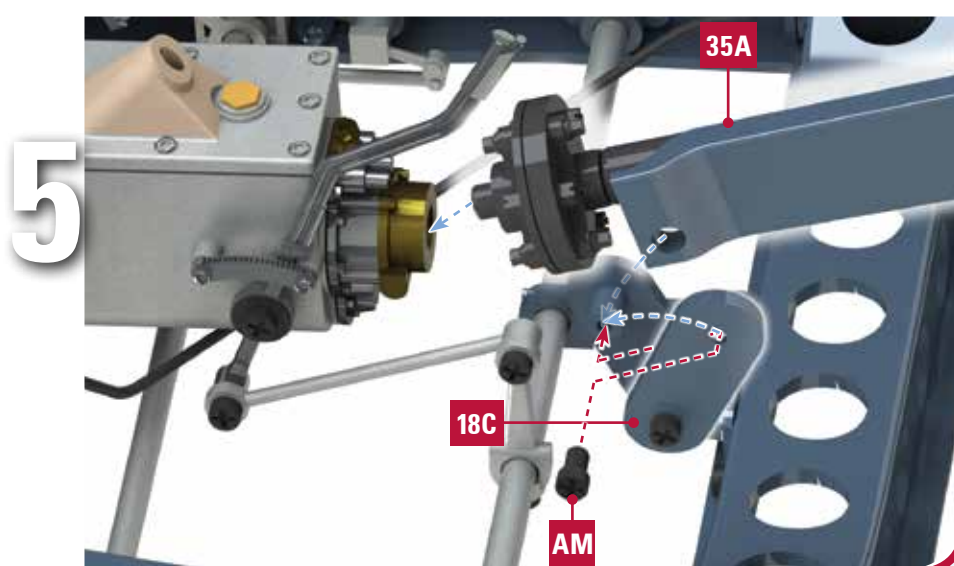
SCREWS

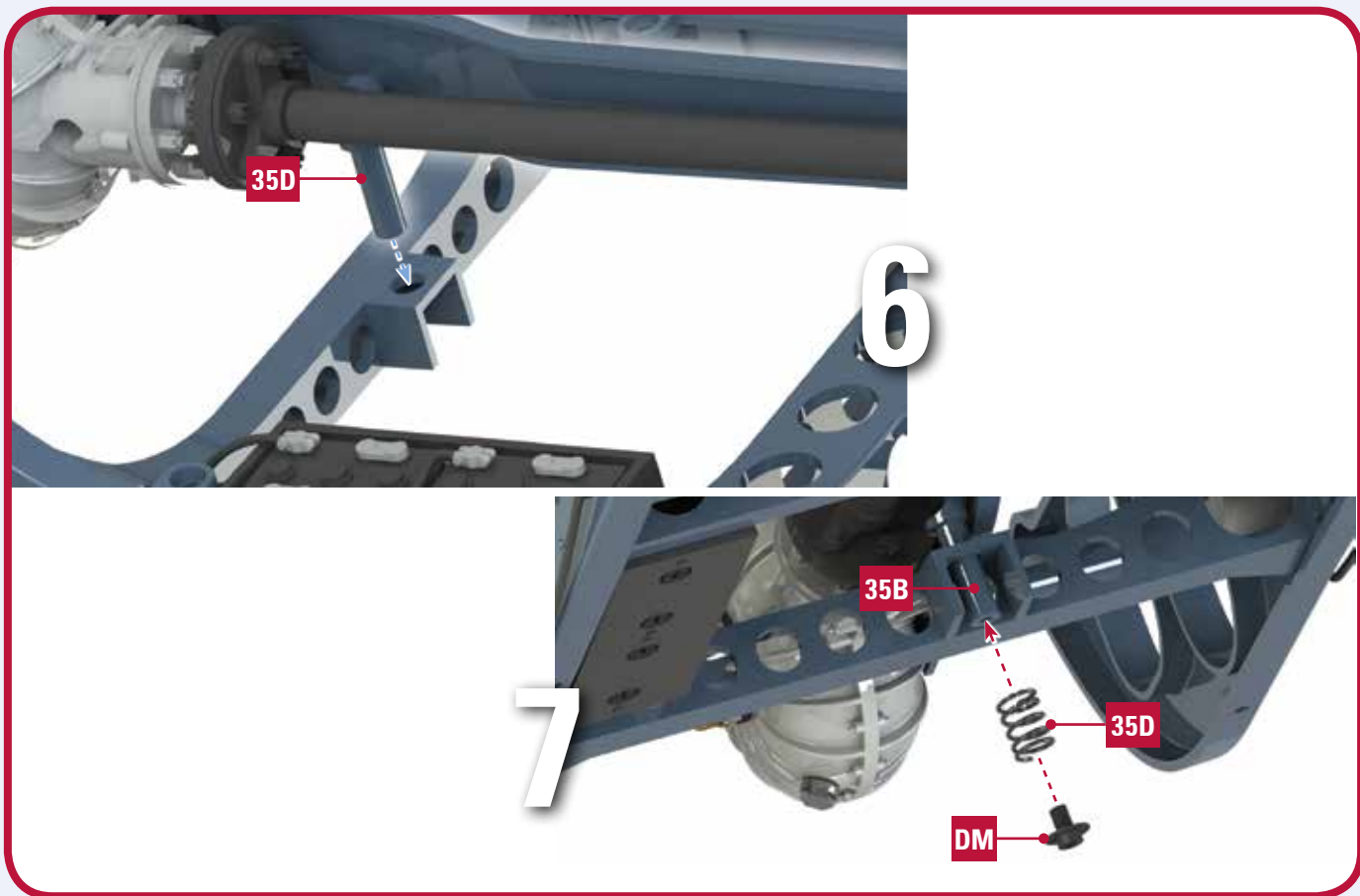
- AM** 3 screws
- DM** 2 screws
- CM** 3 screws
- CP** 3 screws



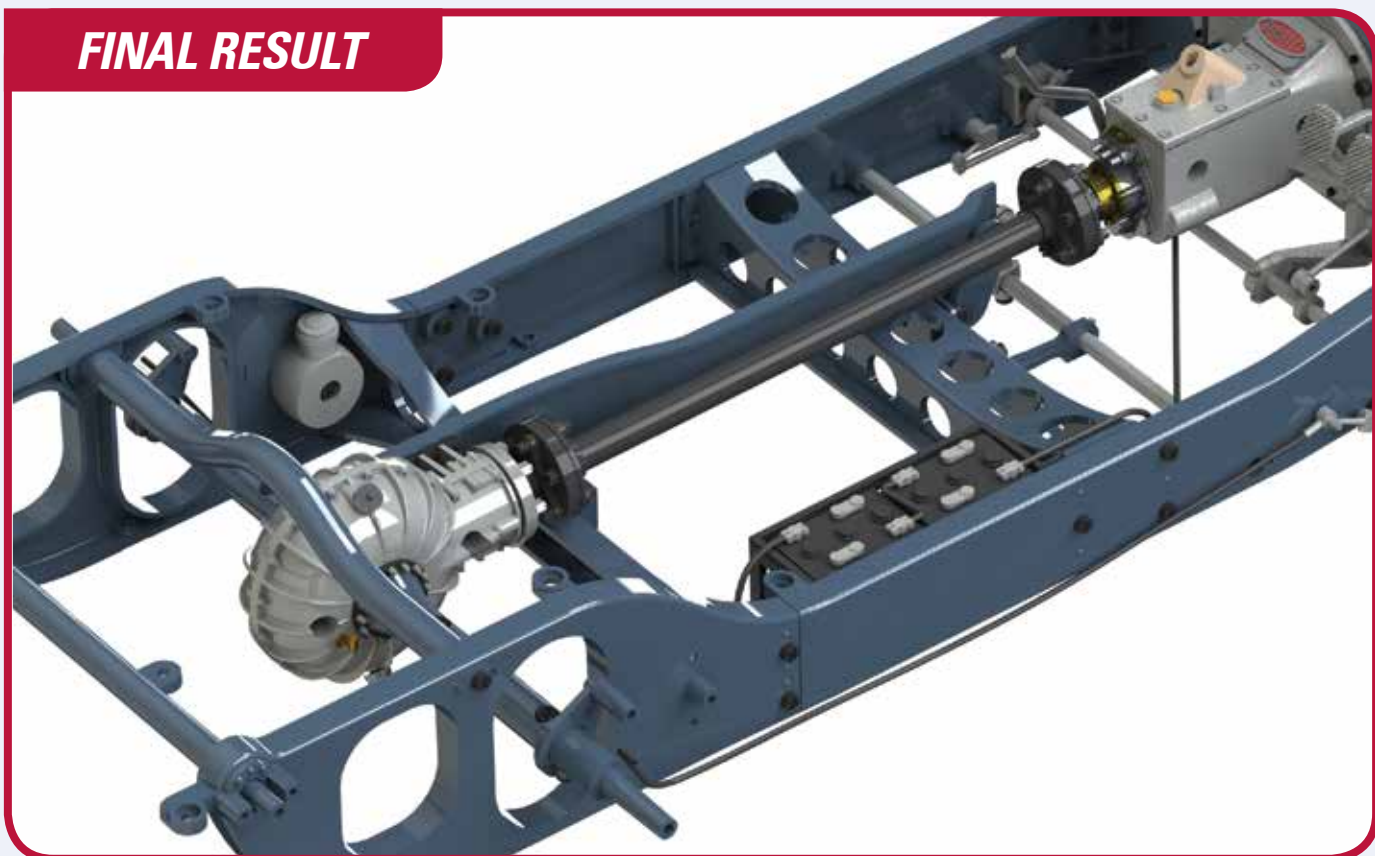


Loosen AM screw.

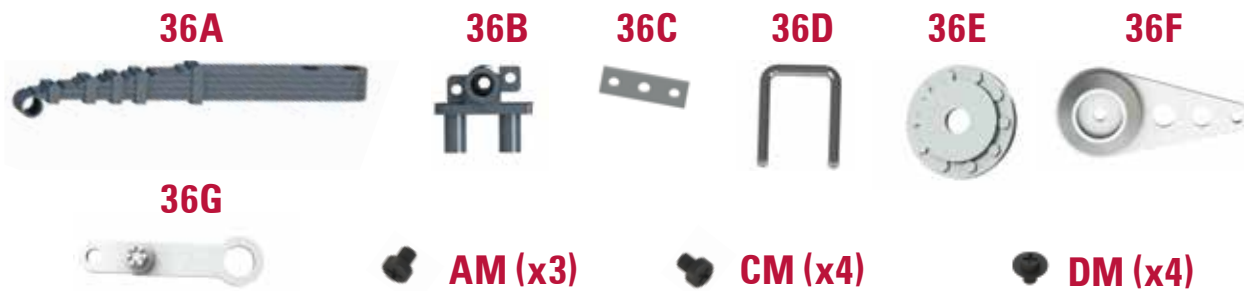




FINAL RESULT



36 PARTS LIST



36A Rear spring leaf

36B Left rear spring leaf holder

36C Rear spring leaf rod

36D Rear spring leaf rod bracket

36E Rear spring leaf front bracket A

36F Rear spring leaf front bracket B

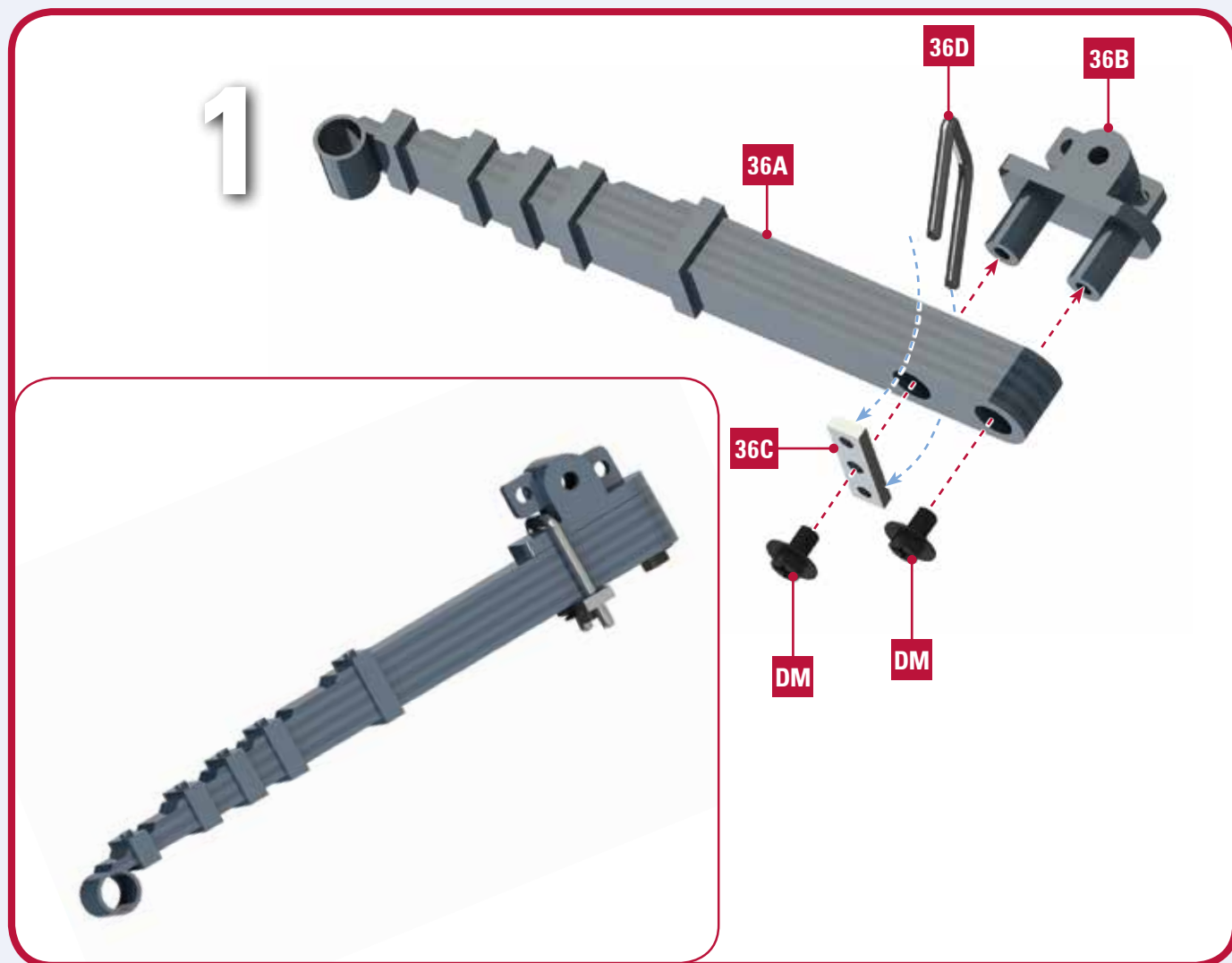
36G Rear spring leaf front bracket C

SCREWS

AM 3 screws

CM 4 screws

DM 4 screws



37 PARTS LIST

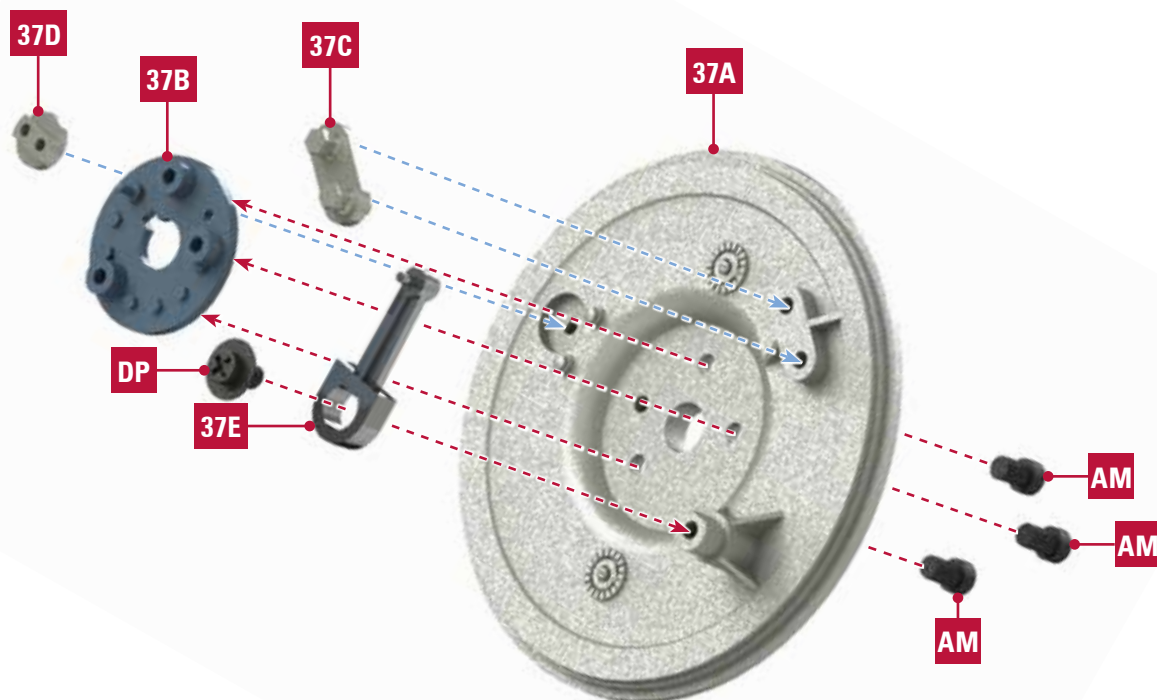


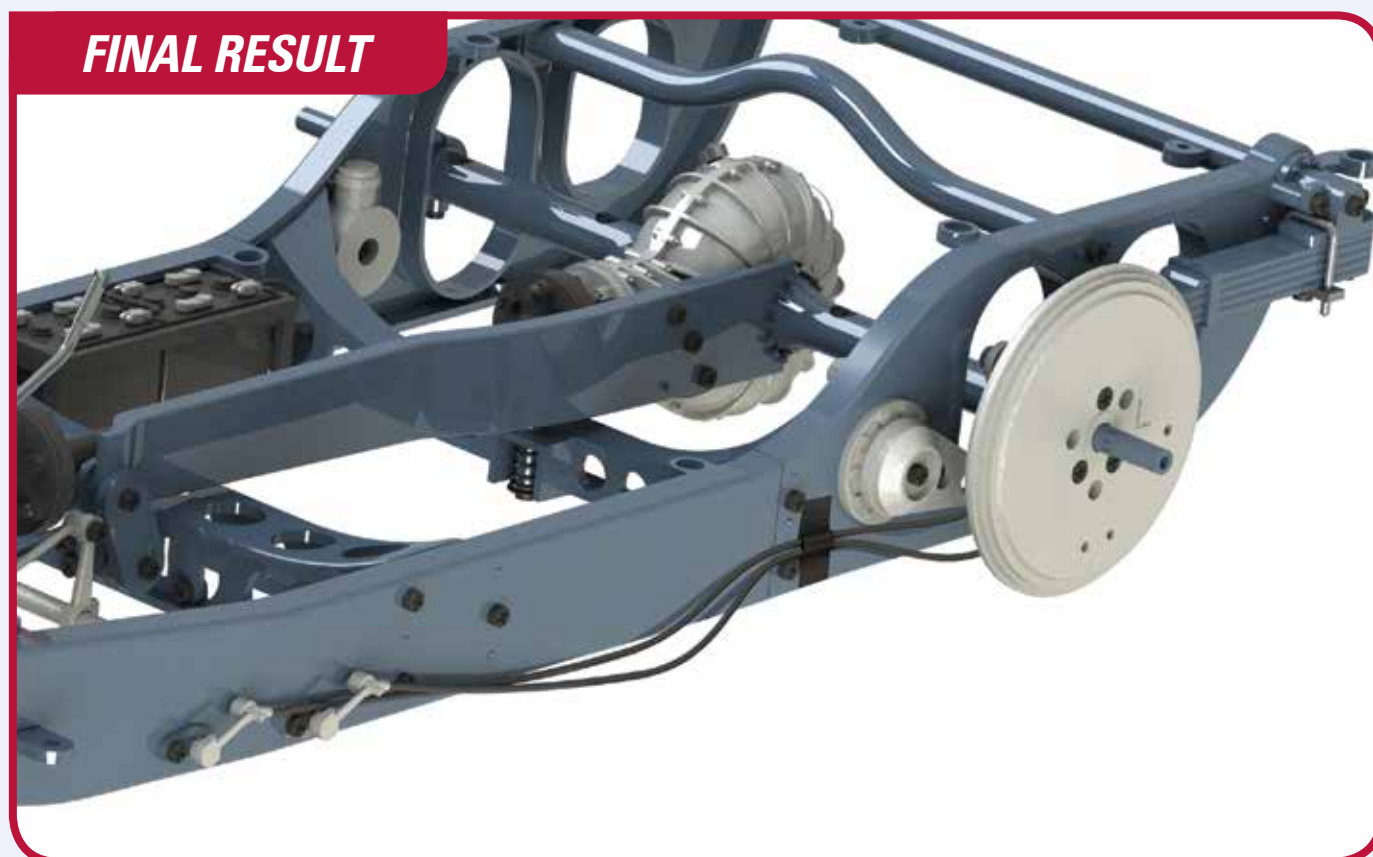
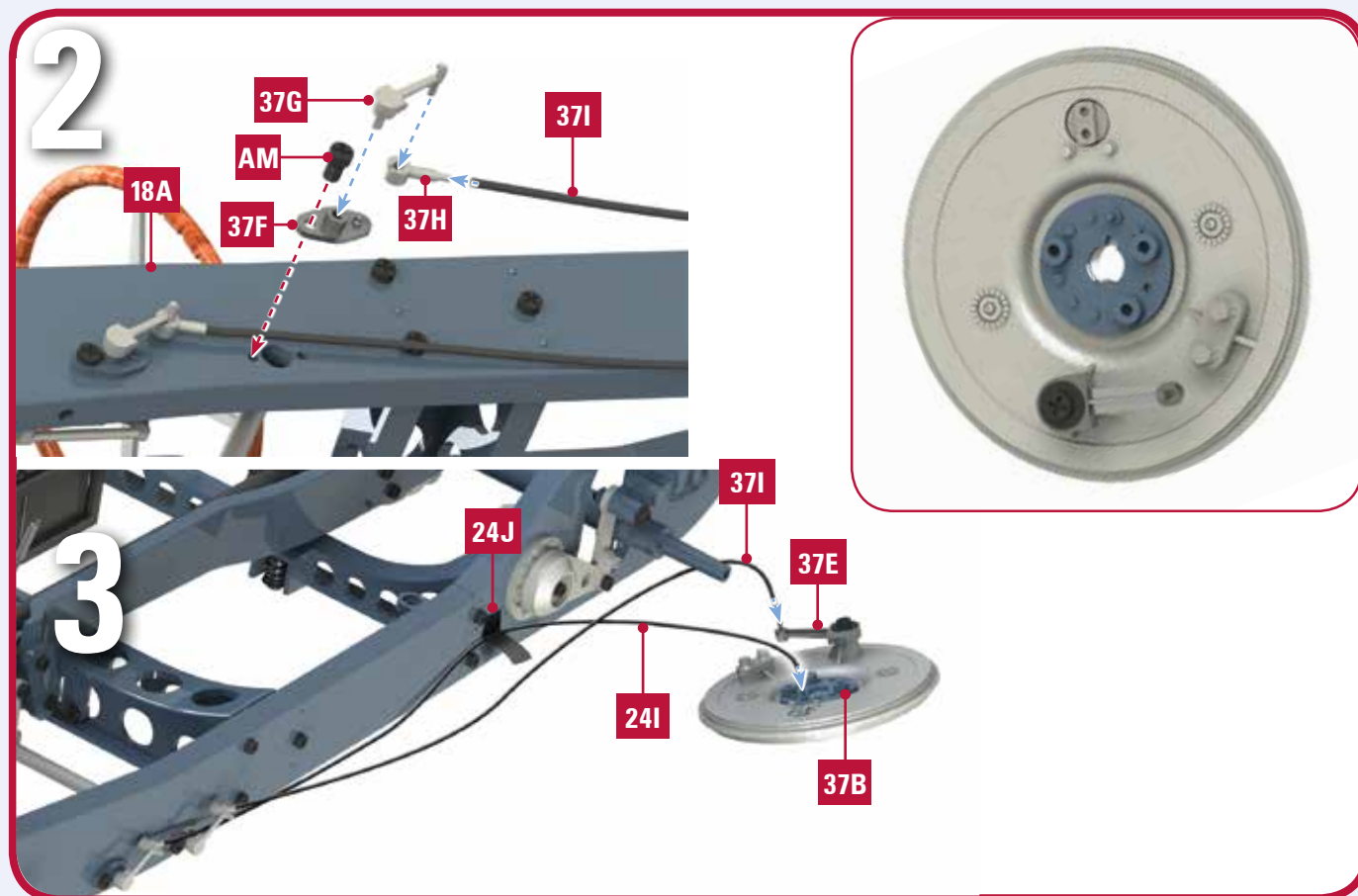
- 37A** Left rear brake drum
- 37B** Brake drum detail A
- 37C** Brake drum detail A
- 37D** Brake drum detail B
- 37E** Rear wheel hand brake level
- 37F** Hand brake line dial rod seat
- 37G** Hand brake line dial level
- 37H** Wheel hand brake line connector
- 37I** Rear wheel hand brake line

SCREWS

- AM** 5 screws
- DP** 2 screws

1





38 PARTS LIST



38A



38B



38C



38D



38E



38F



38G



AM (x3)



CM (x4)



DM (x4)

38A Rear spring leaf

38B Right rear spring leaf holder

38C Rear spring leaf rod

38D Rear spring leaf rod bracket

38E Rear spring leaf front bracket A

38F Rear spring leaf front bracket B

38G Rear spring leaf front bracket C

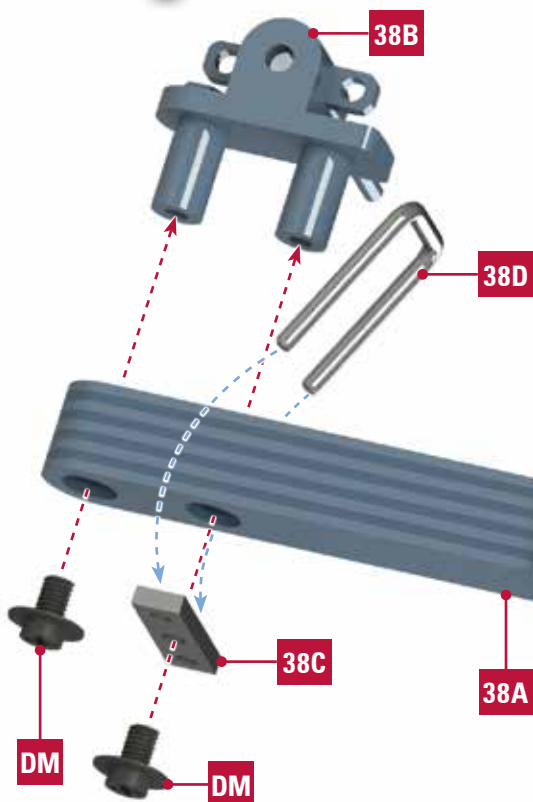
SCREWS

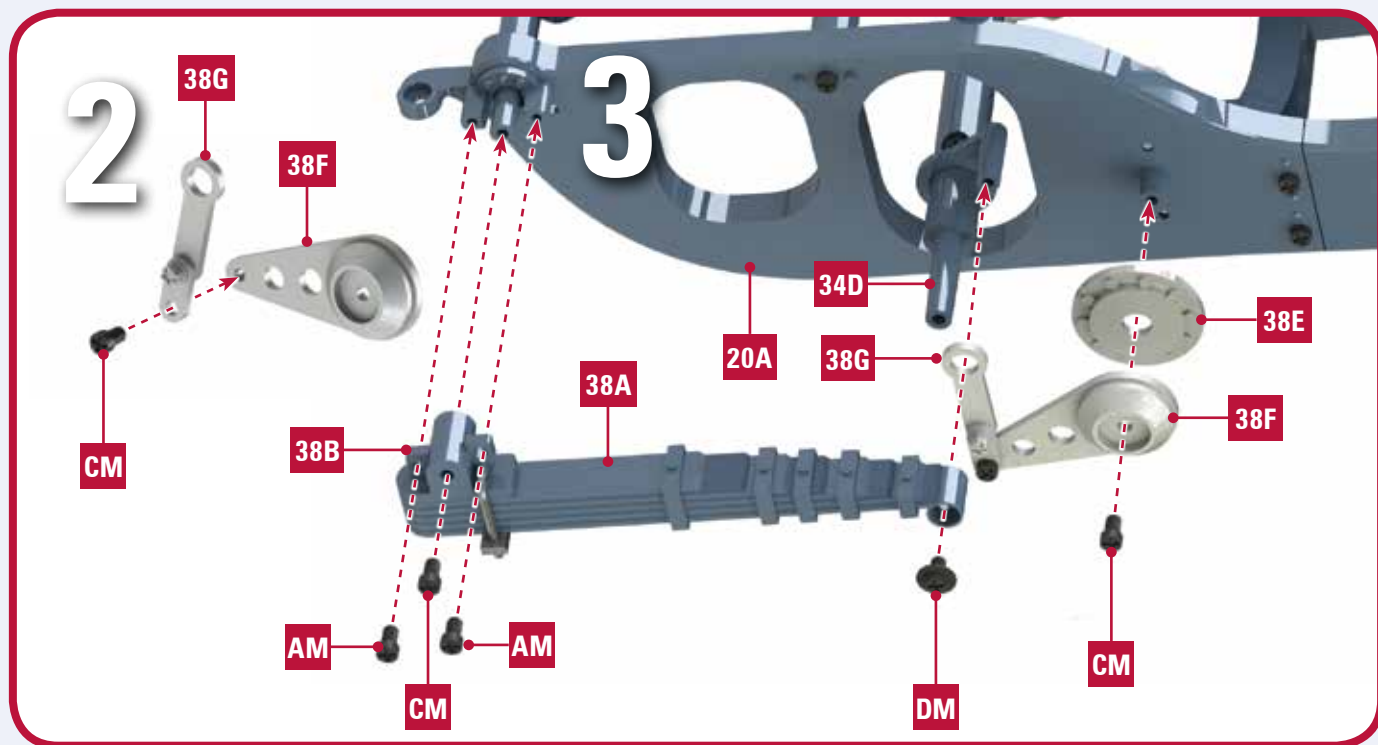
AM 3 screws

CM 4 screws

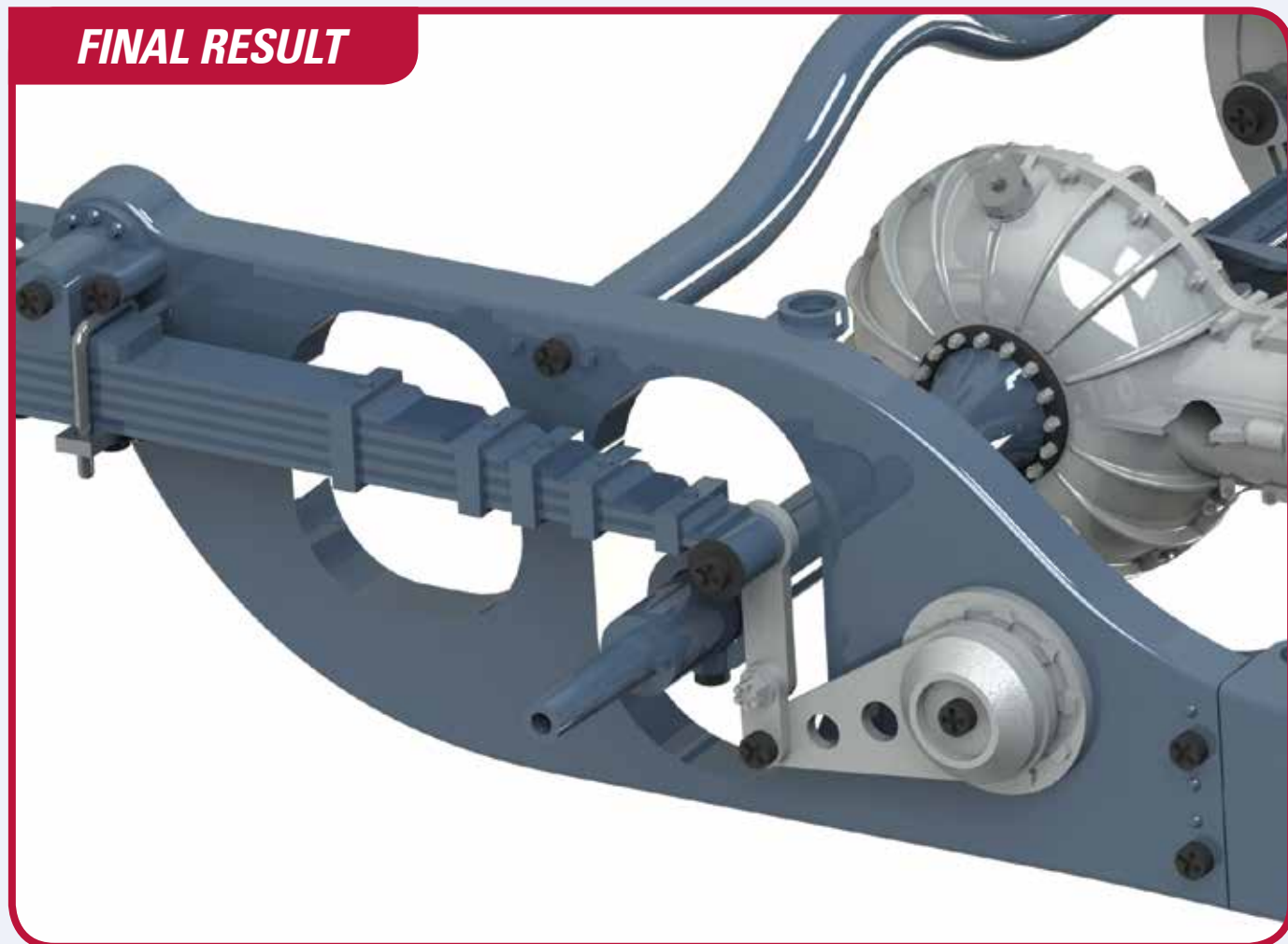
DM 4 screws

1





FINAL RESULT



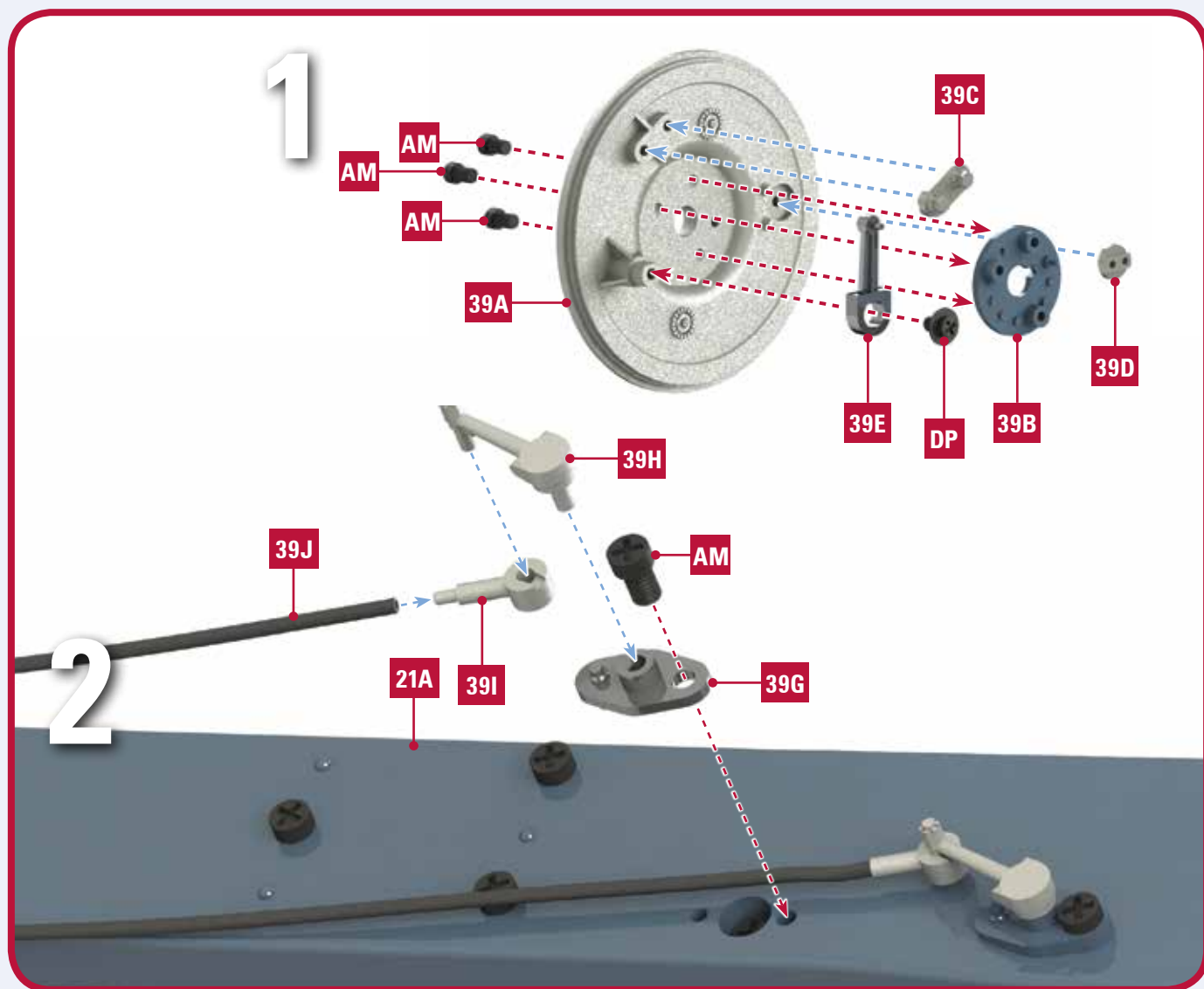
39 PARTS LIST



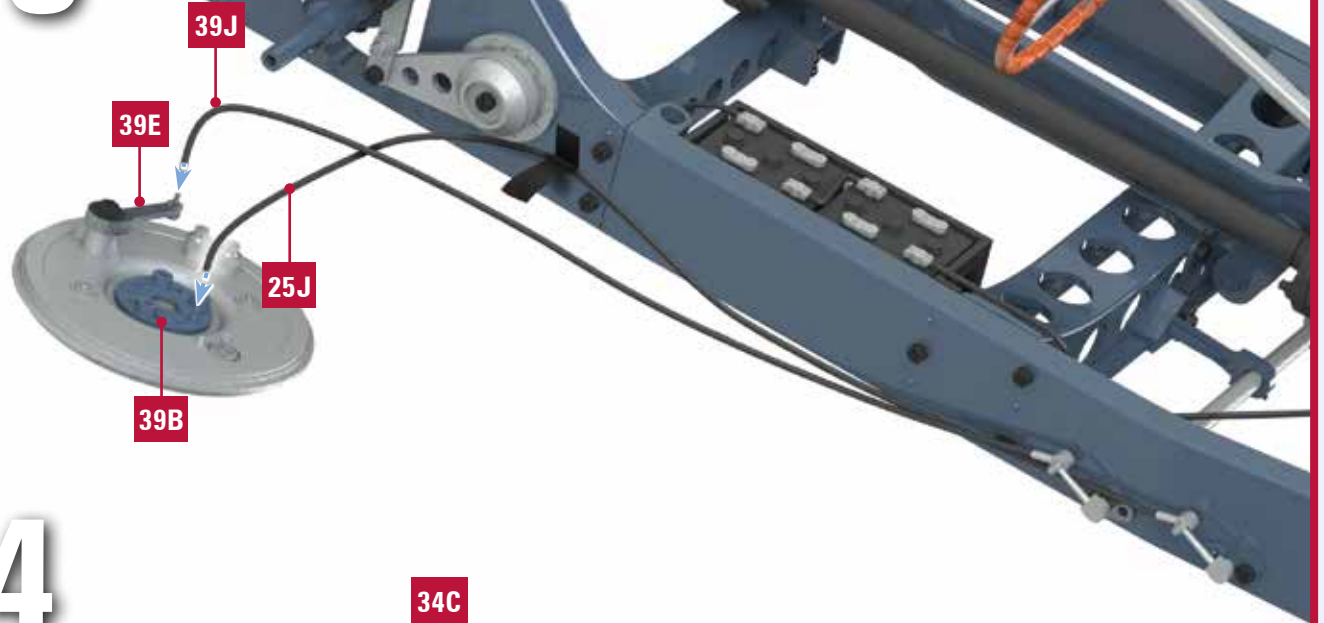
- 39A Right rear brake drum
- 39B Brake drum detail A
- 39C Brake drum detail A
- 39D Brake drum detail B
- 39E Rear wheel hand brake level
- 39F Rear wheel hose
- 39G Hand brake line dial rod seat
- 39H Hand brake line dial level
- 39I Wheel hand brake line connector
- 39J Rear wheel hand brake line
- 39K Sticker

SCREWS

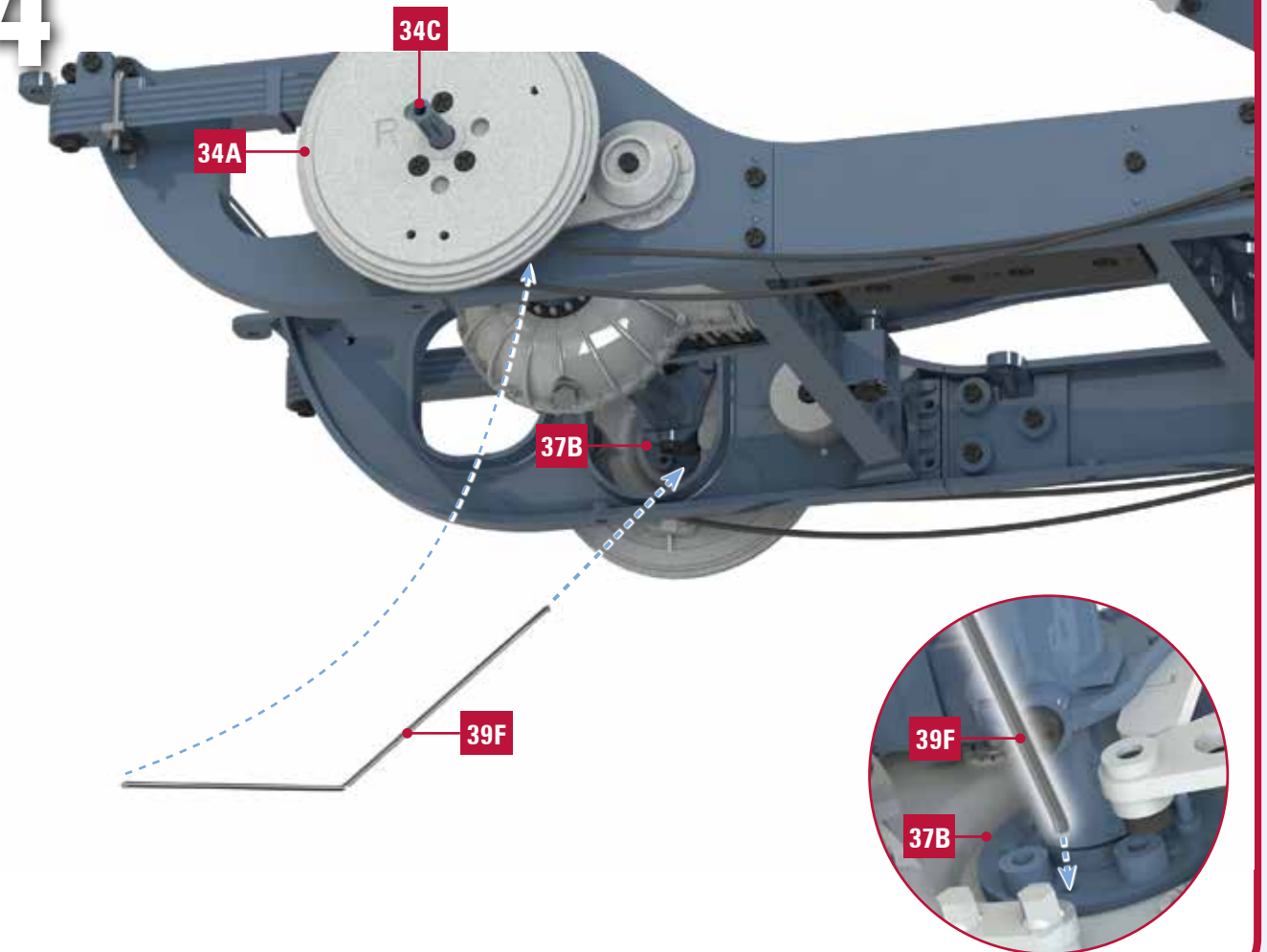
- AM 5 screws
- DP 2 screws



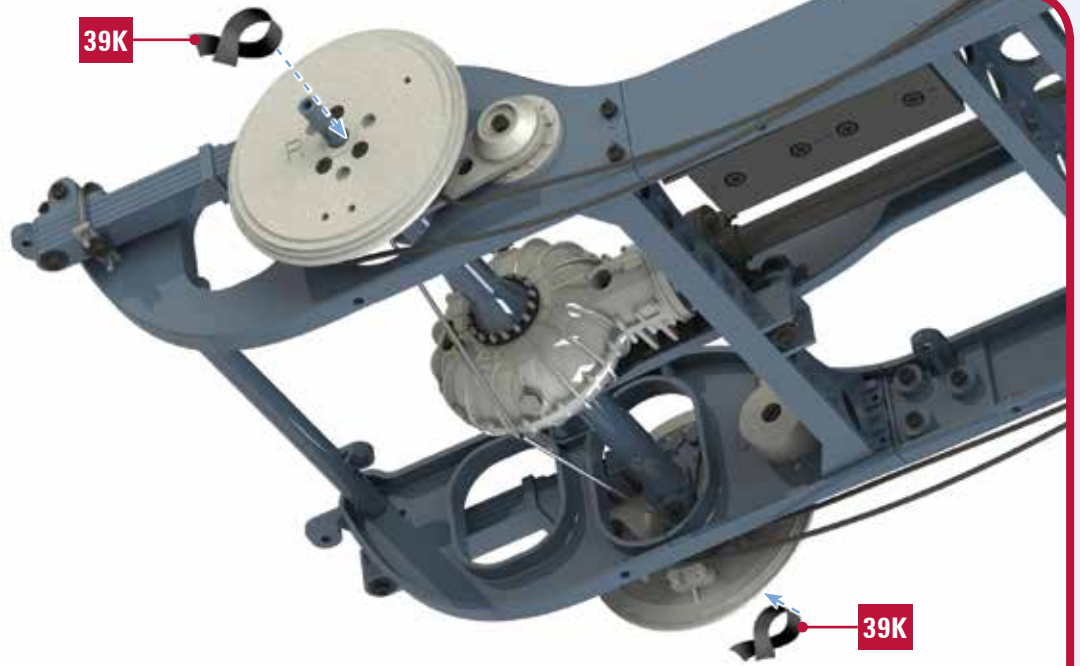
3



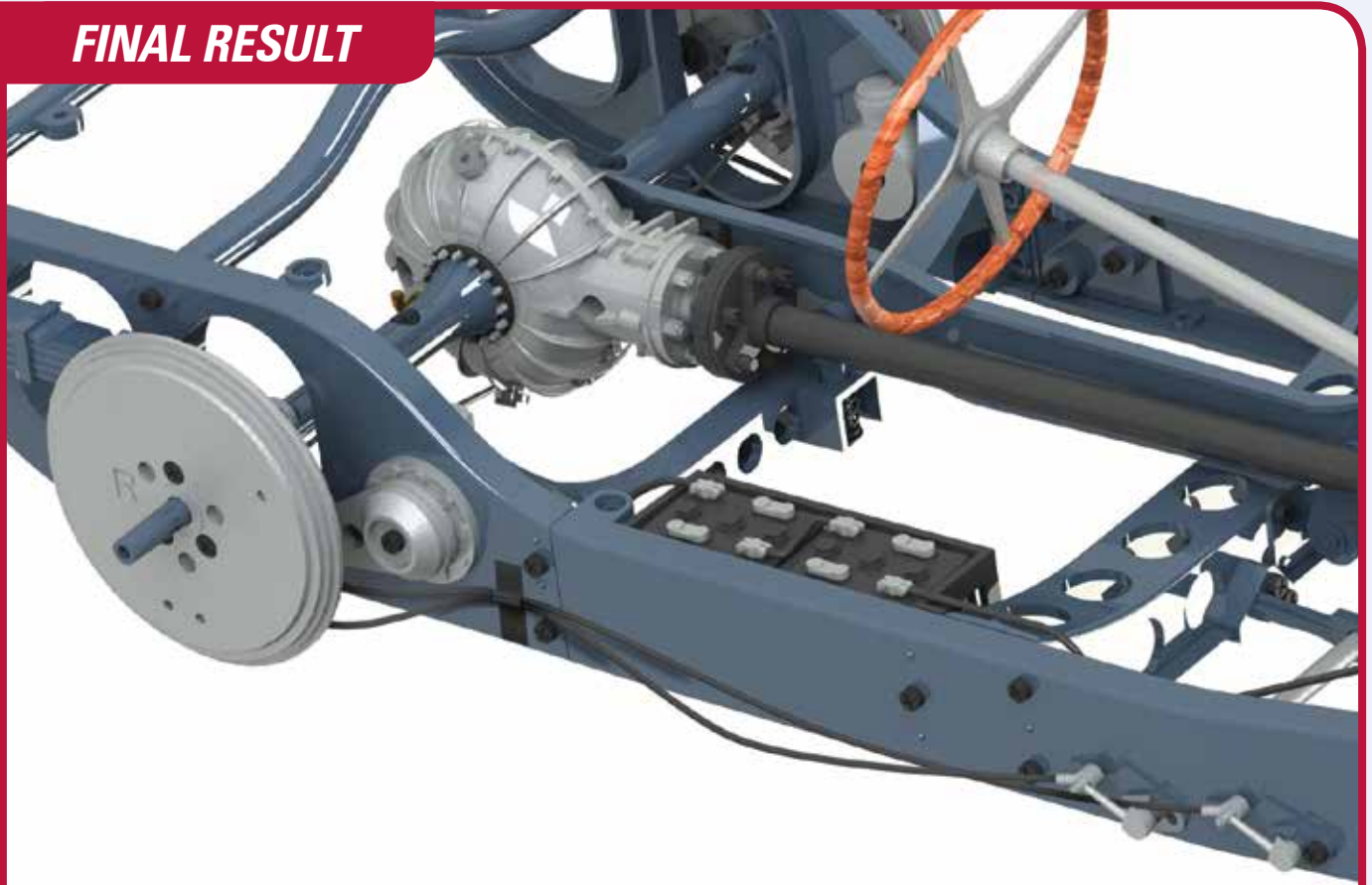
4



5



FINAL RESULT



40 PARTS LIST

40A



40B



40C (X28)



40D (X14)



40E



40F



40G



CM (x4)

DP (x2)

40A Inner wheel A
40B Inner spoke holder
40C Spoke A (x28)
40D Spoke B (x14)

40E Inner wheel B
40F Biadhesive stripe A (x40)
40G Biadhesive stripe B (x40)

SCREWS
CM 4 screws
DP 2 screws

FINAL RESULT

Refer to the instructions for kit 14.



40/1 PARTS LIST

40A



40B



40C



40D



40E



SM (x4)



TM (x4)

- 40A** Spoke holder A
- 40B** Spoke holder B
- 40C** Spoke A

- 40D** Outer wheel
- 40E** Inner wheel

- SCREWS**
- SM** 4 screws
 - TM** 4 screws

FINAL RESULT

Refer to the instructions for kit 14/1.



41 PARTS LIST



41D (x14)



41E (x14)



41F



CM (x8)



KM (x4)



- 41A** Inner wheel
- 41B** Outer wheel
- 41C** Outer spoke holder
- 41D** Spoke C (x14)
- 41E** Spoke D (x14)
- 41F** Biadhesive strip (x20)

SCREWS

CM 8 screws

KM 4 screws

FINAL RESULT

Refer to the instructions for kit 15.



41/1 PARTS LIST

41A



41B



41C



41D



41E



41F


 **CM (x8)**
 **ZM (x4)**
 **TM (x4)**

- 41A** Spoke holder C
41B Spoke holder D
41C Spoke B
41D Inner wheel
41E Inner wheel B
41F Spoke holder D cap

SCREWS**CM** 8 screws**ZM** 4 screws**TM** 4 screws**FINAL RESULT**

Refer to the instructions
for kit 15/1.



42 PARTS LIST

42A



42B



42C



42D



42E



42F



VM (x2)

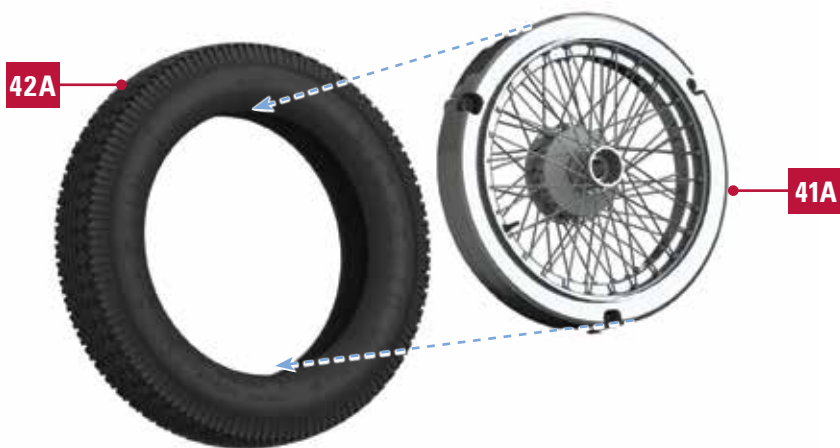
- 42A** Tire
- 42B** Wheel cap
- 42C** Left wheel cap holder

- 42D** Washer
- 42E** Inner washer for spoke wheel

- 42F** Biadhesive strips
- SCREWS**
- VM** 2 screws

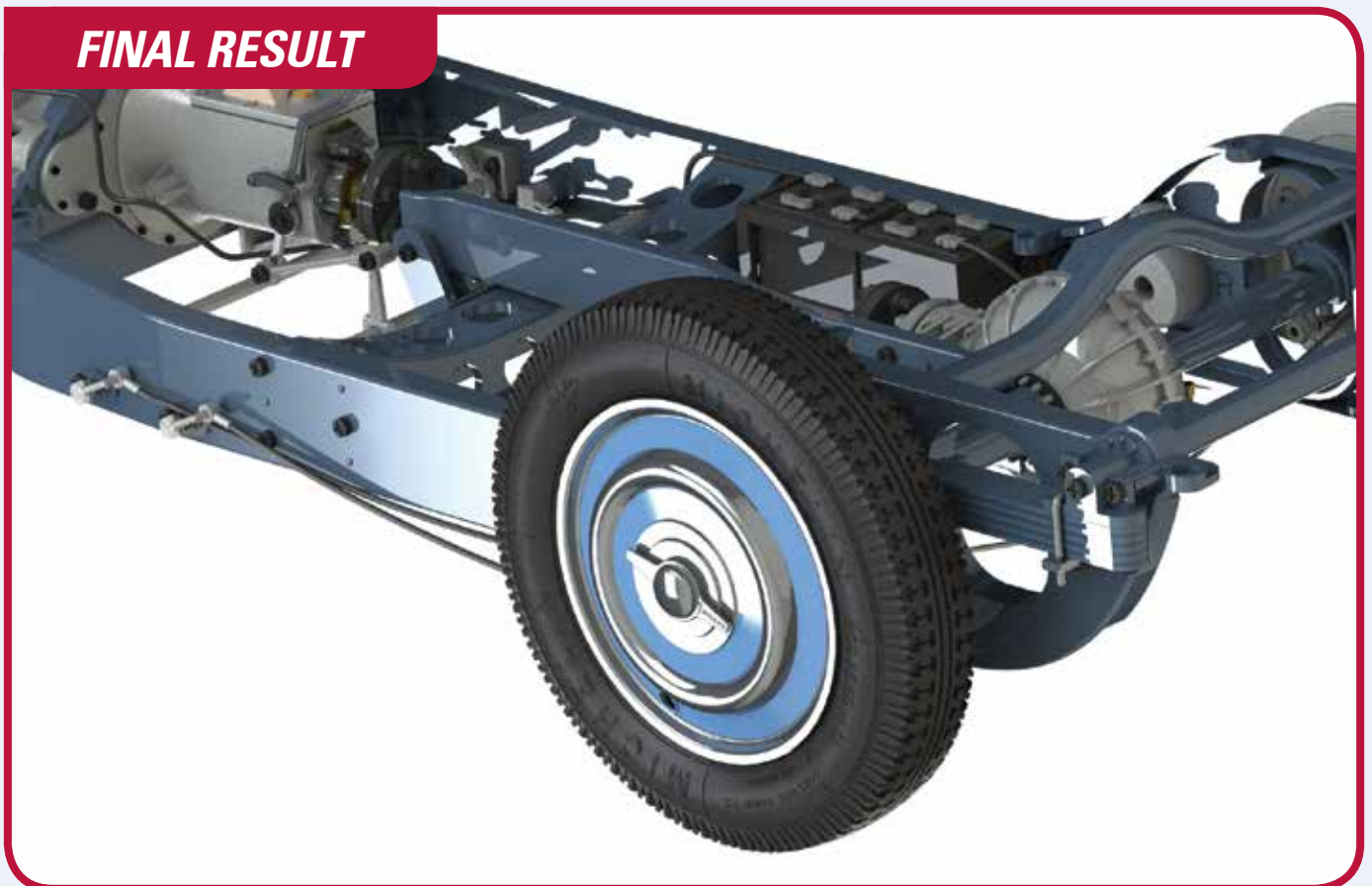
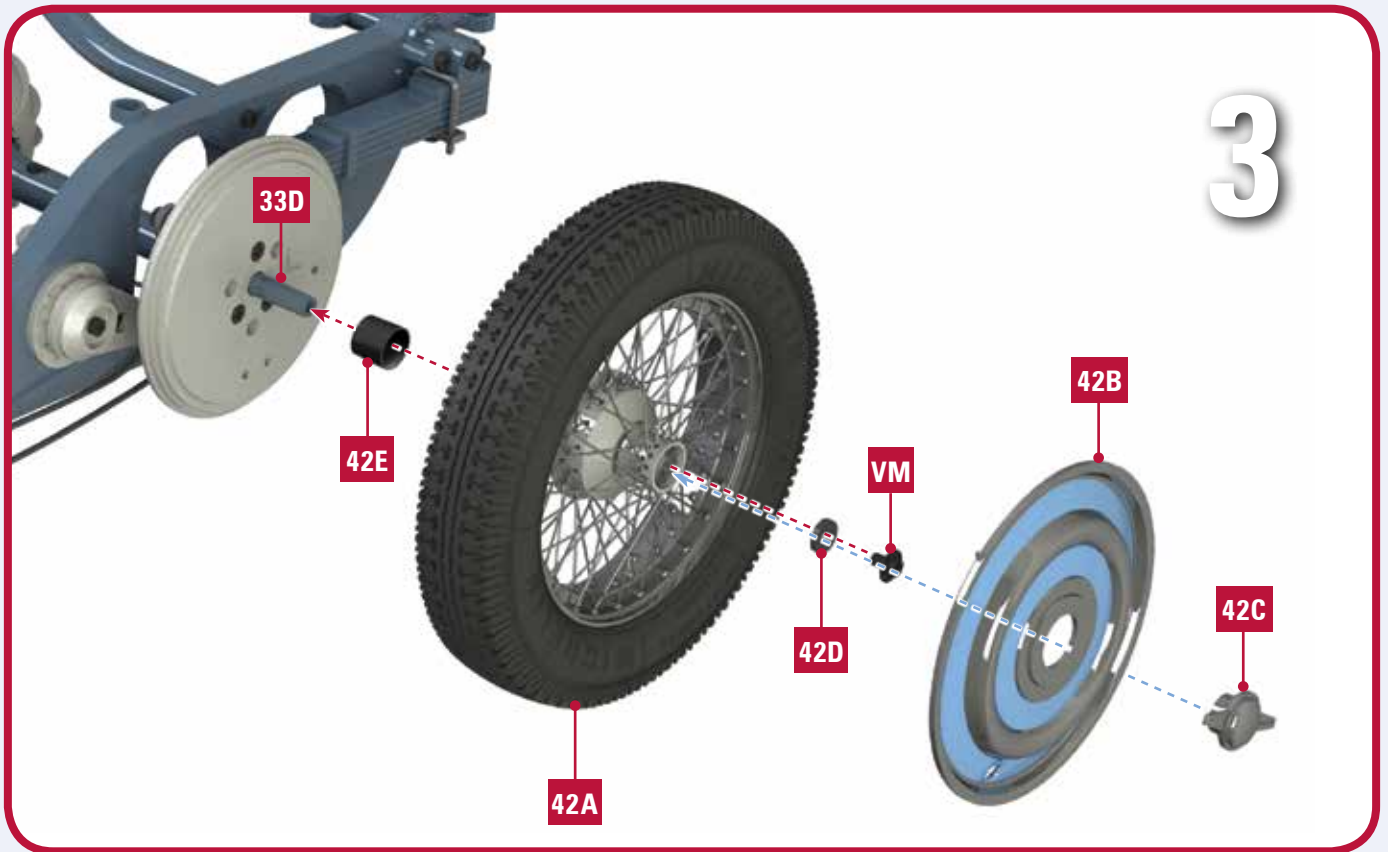
1

Soak tire 42A for 30 seconds in hot water to soften it. Once removed from water carefully dry the tire, especially inside.



2





42/1 PARTS LIST

42A



42B



42C



42D



42E



VM (x2)



42A Tire
42B Wheel cap
42C Left wheel cap holder

42D Washer
42E Biadhesive strips

SCREWS
VM 2 screws

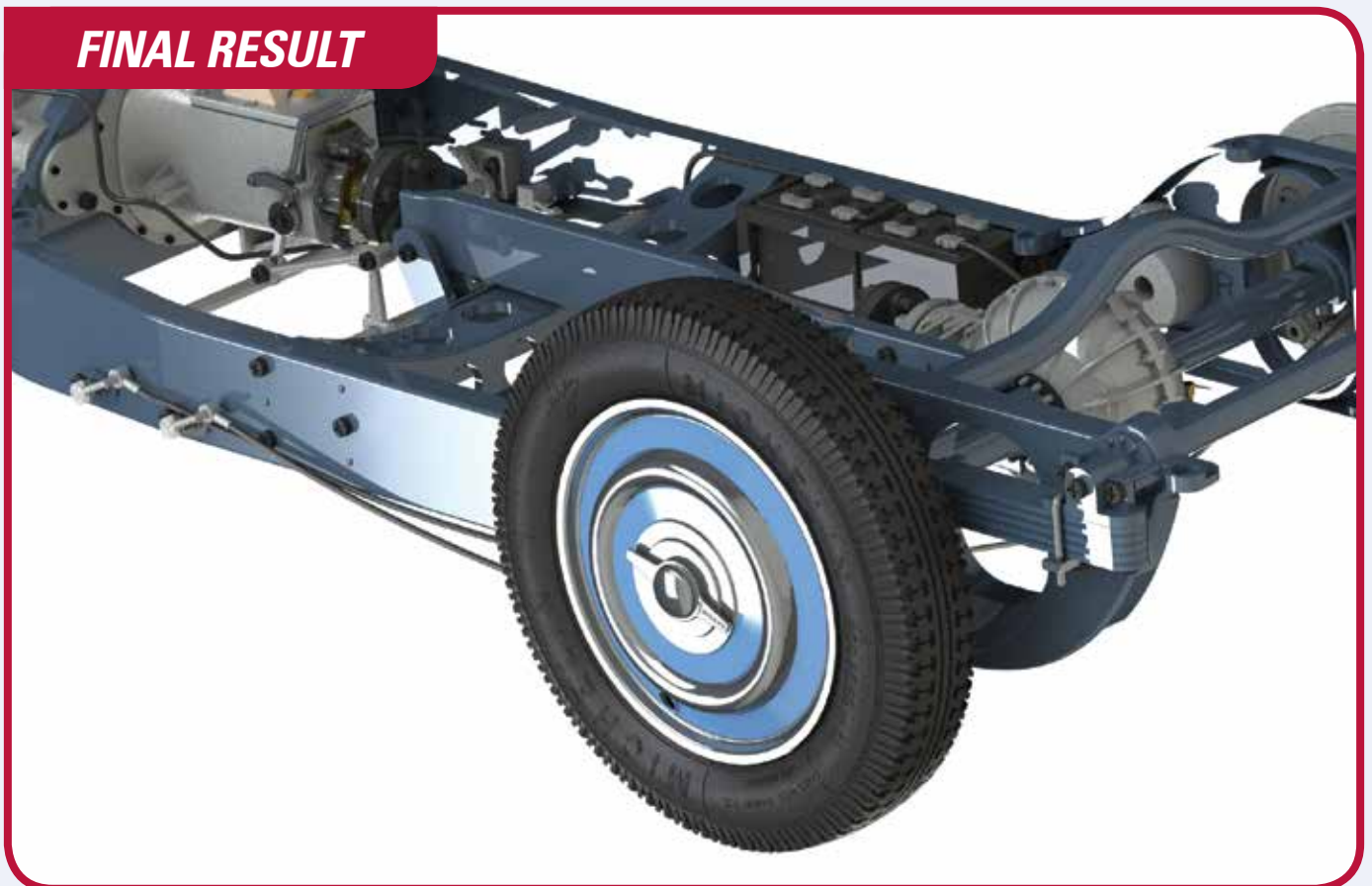
1

Soak tire 42A for 30 seconds in hot water to soften it. Once removed from water carefully dry the tire, especially inside.



2





43 PARTS LIST



43A



43B

43C



43D

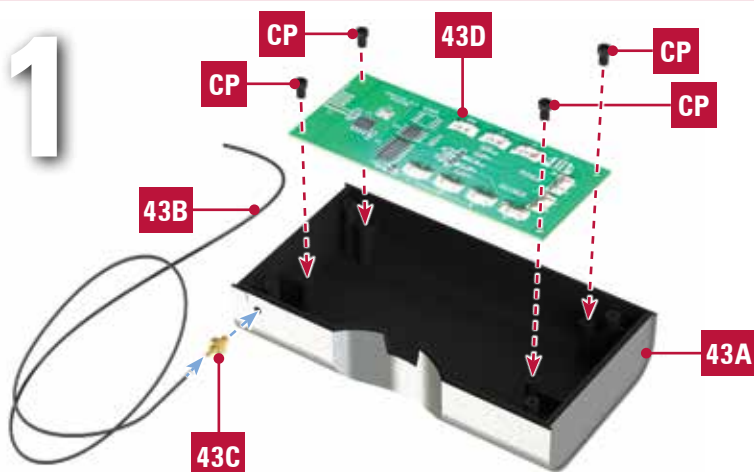


CP (x5)

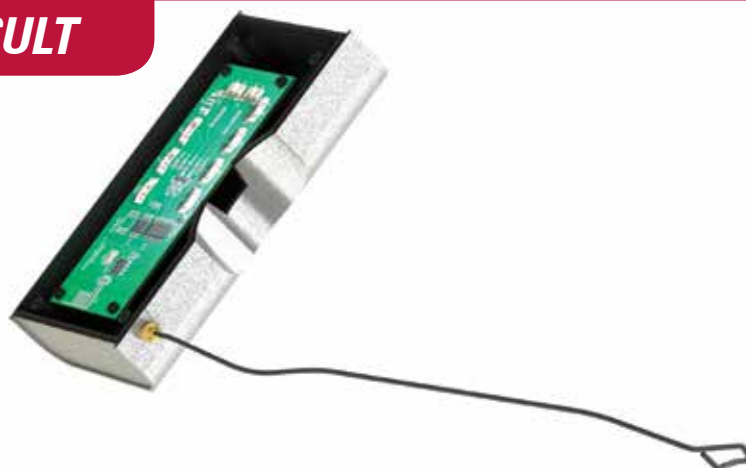
43A Fuel tank lower body
43B Fuel pipe

43C Fuel pipe connector
43D PCB

SCREWS
CP 5 screws



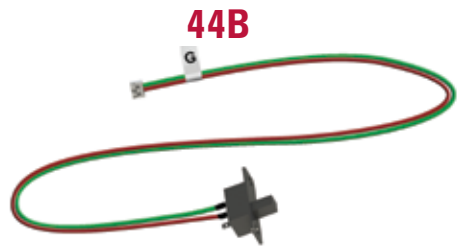
FINAL RESULT



44 PARTS LIST



44A



44B



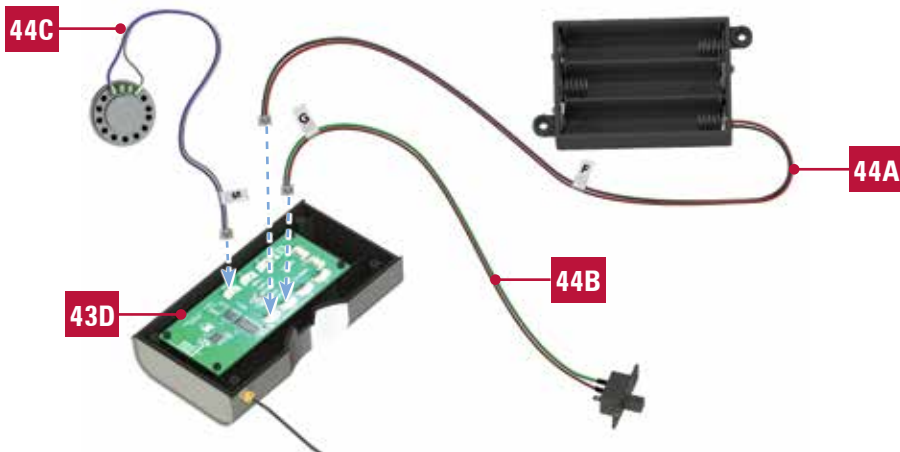
44C

44A Battery box

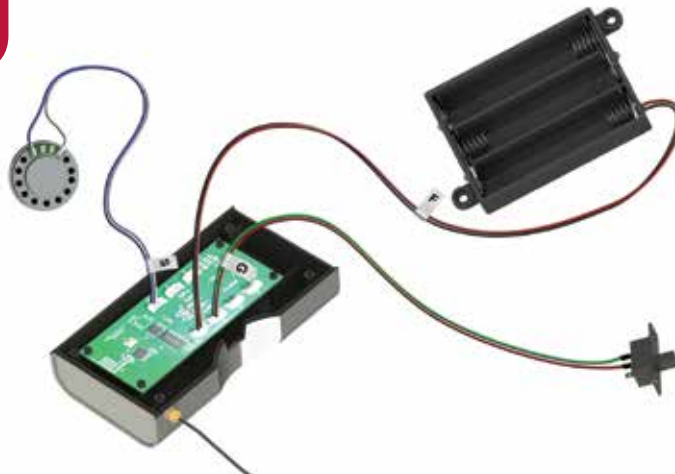
44B Power switch

44C Speaker

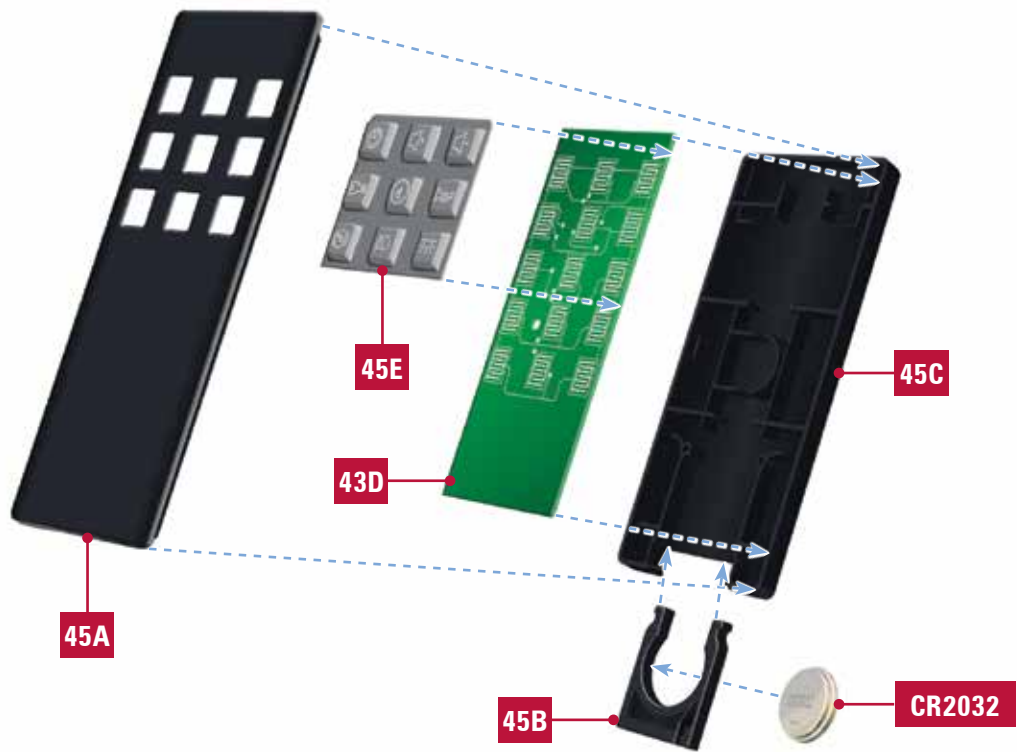
1



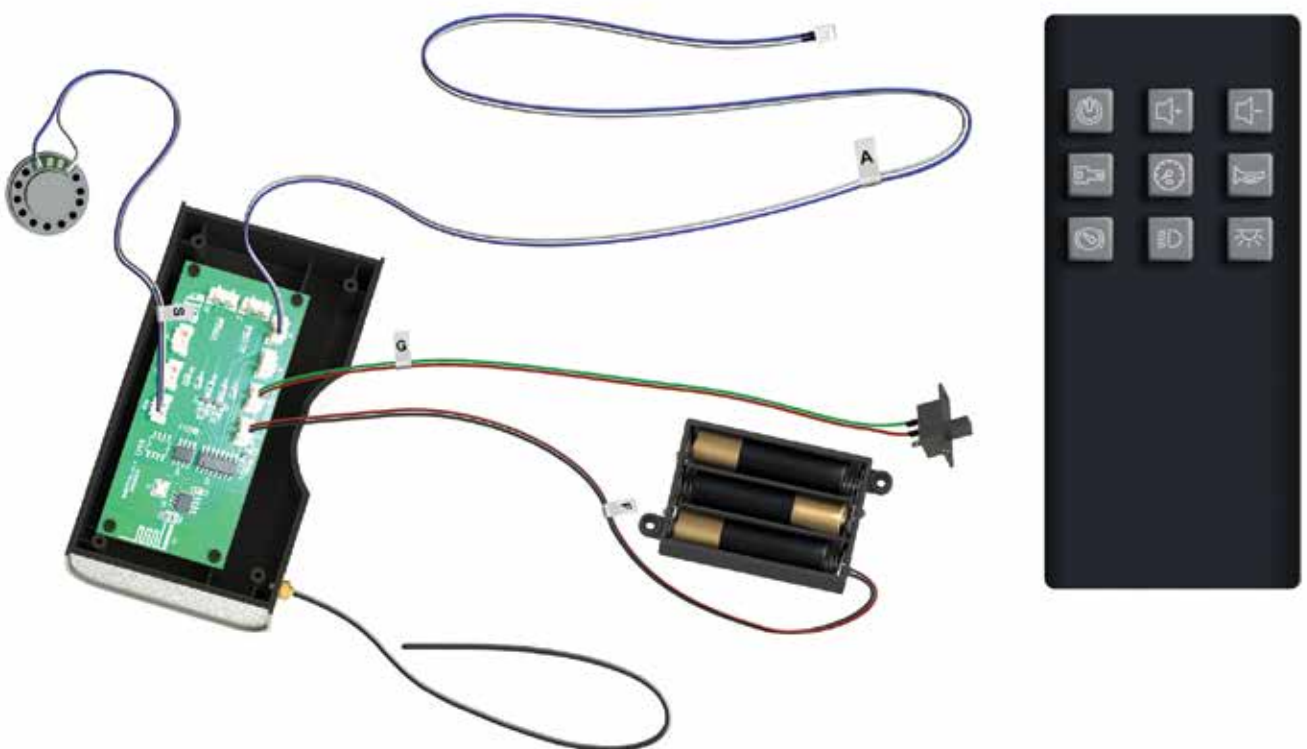
FINAL RESULT



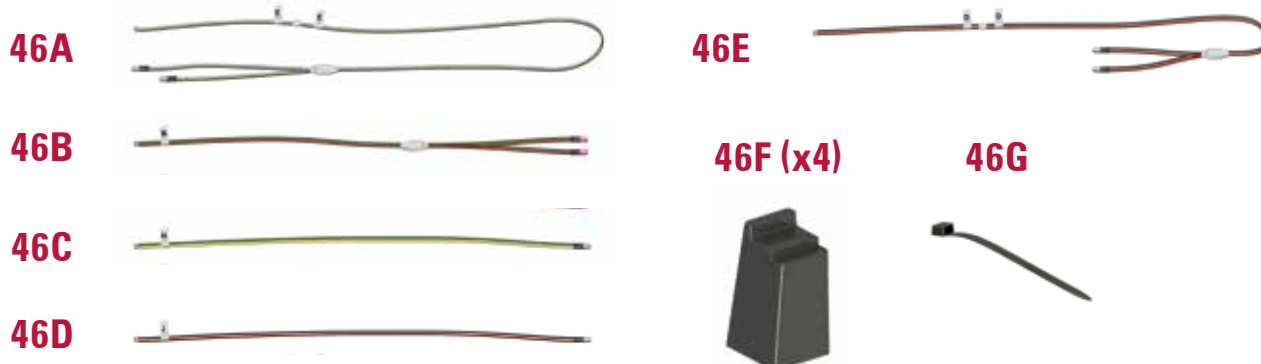
2



FINAL RESULT



46 PARTS LIST

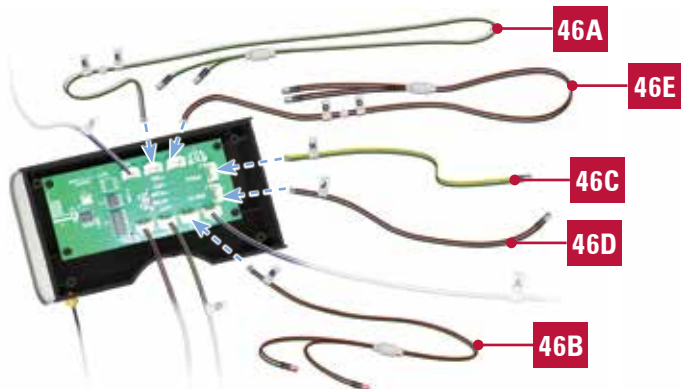


46A LED headlight
46B LED rearlight
46C LED rearlight

46D LED rearlight
46E LED instrument light
46F Support base (x4)

46G Nylon cable tie

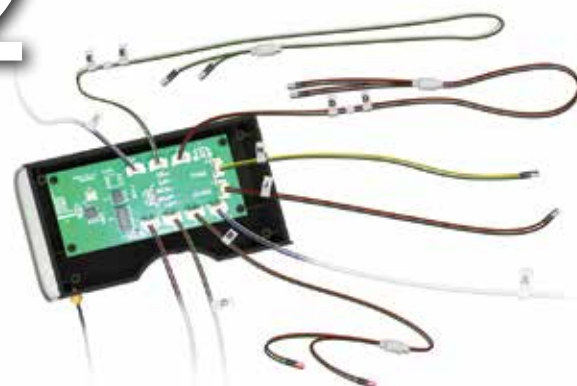
1



3

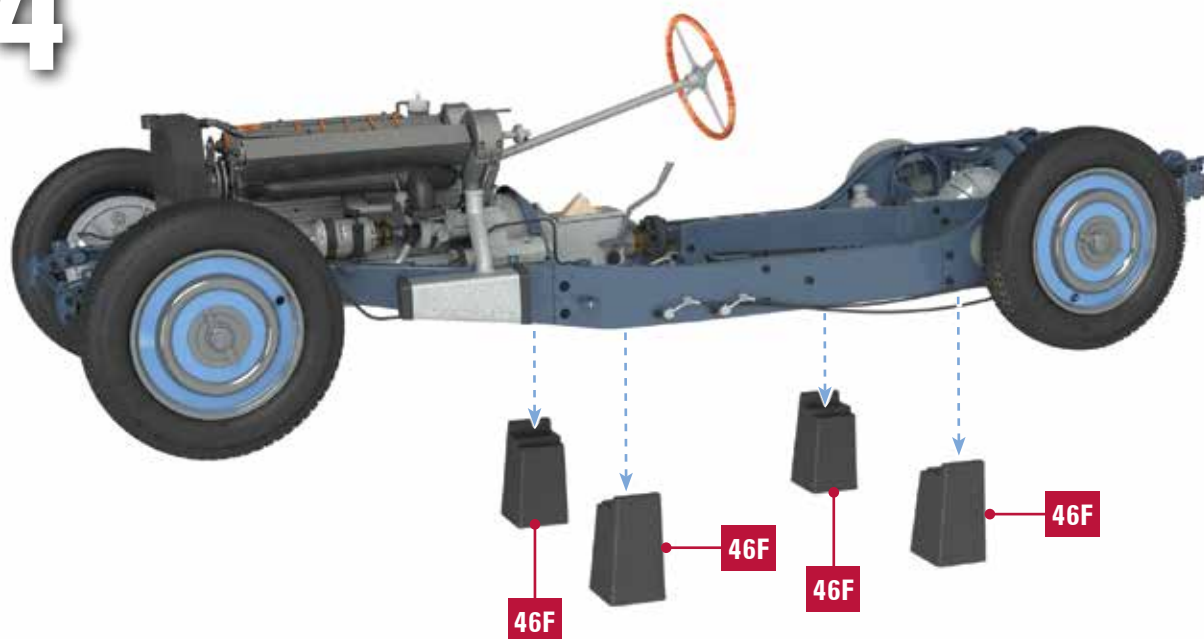


2

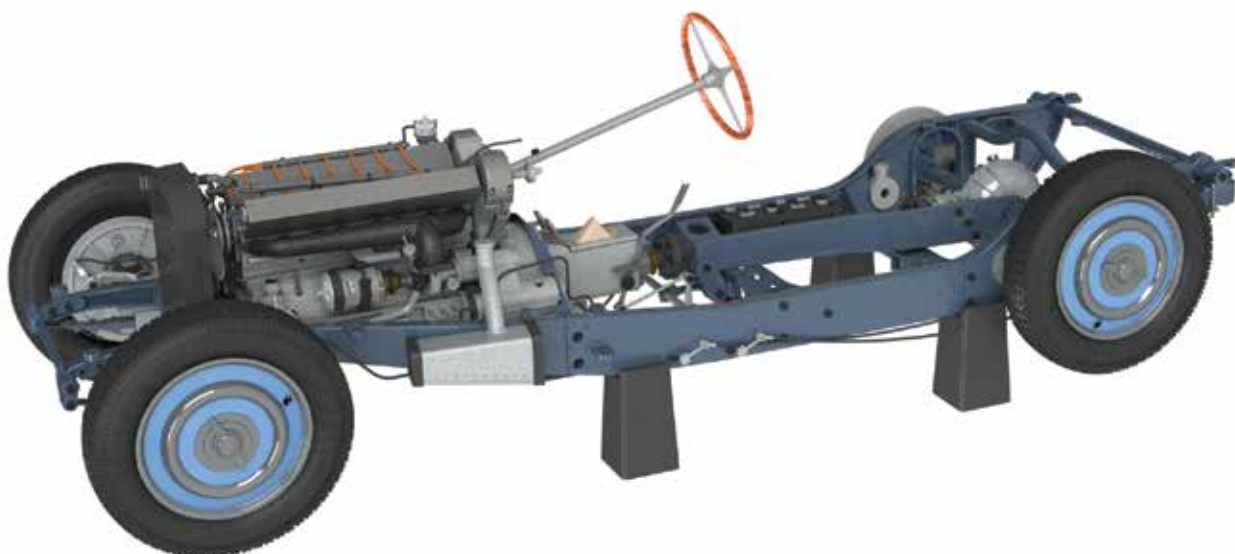


Use remote control to test model functions.

4



FINAL RESULT

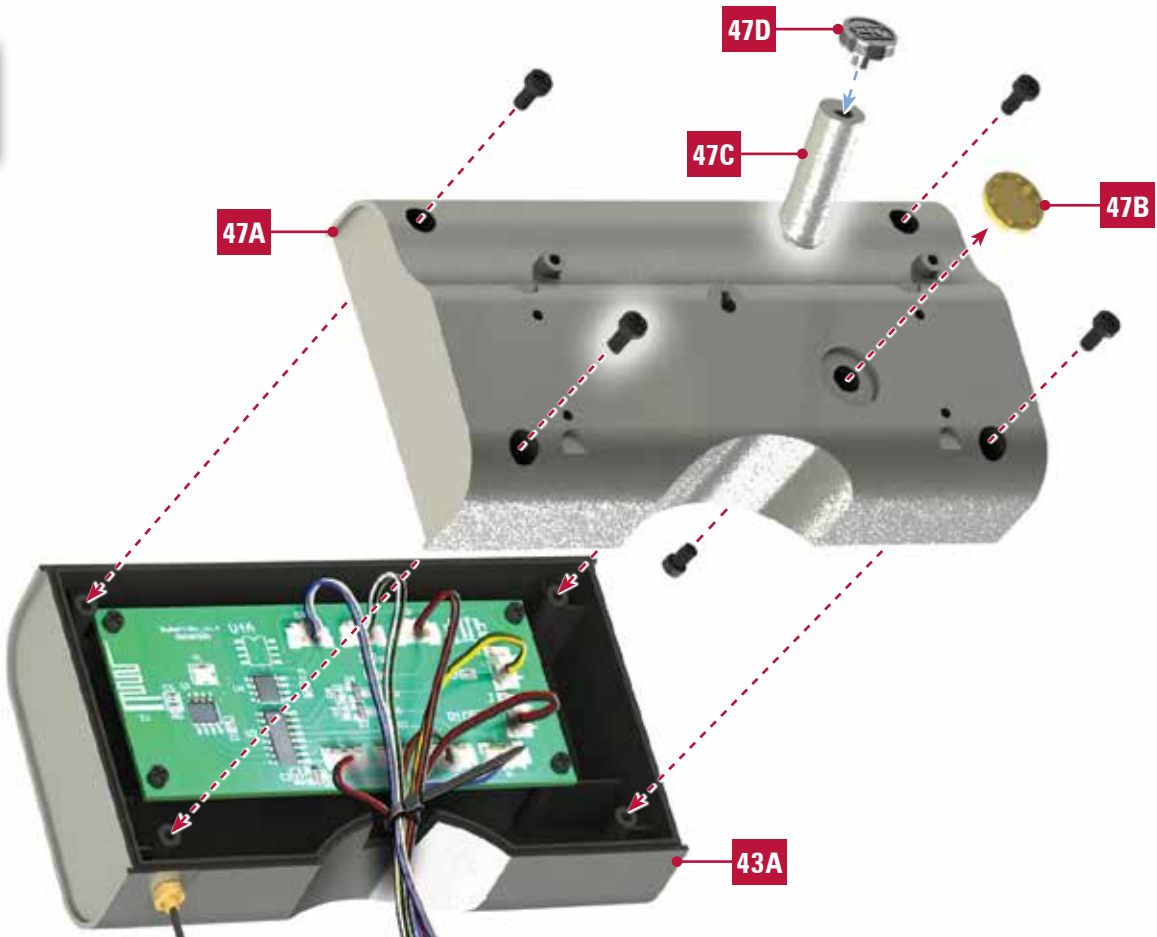


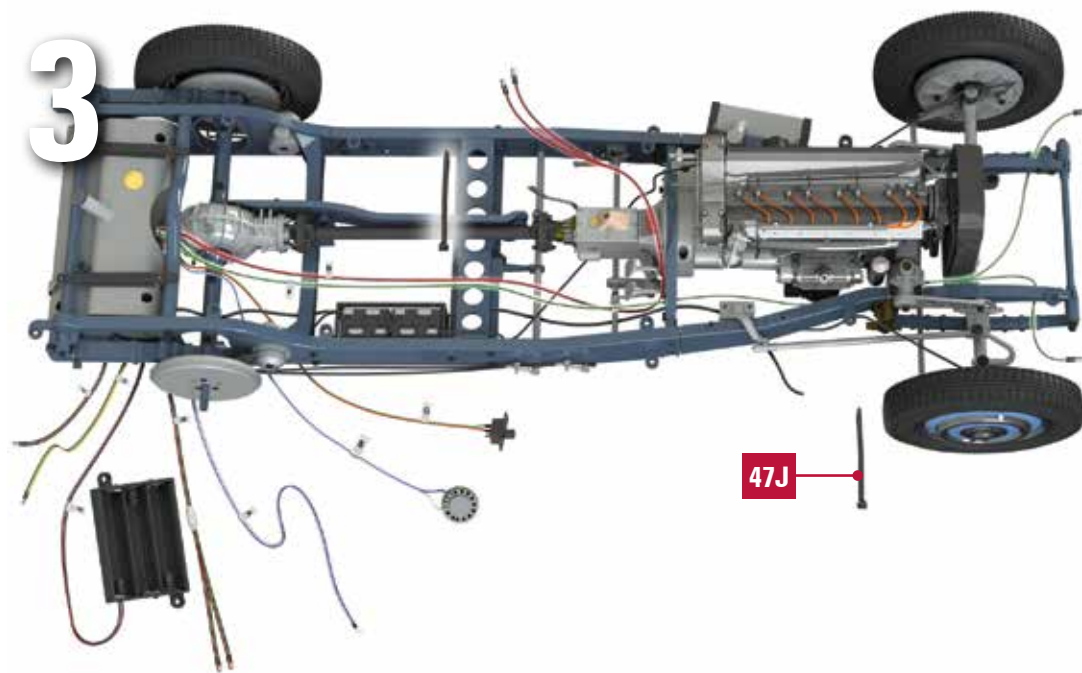
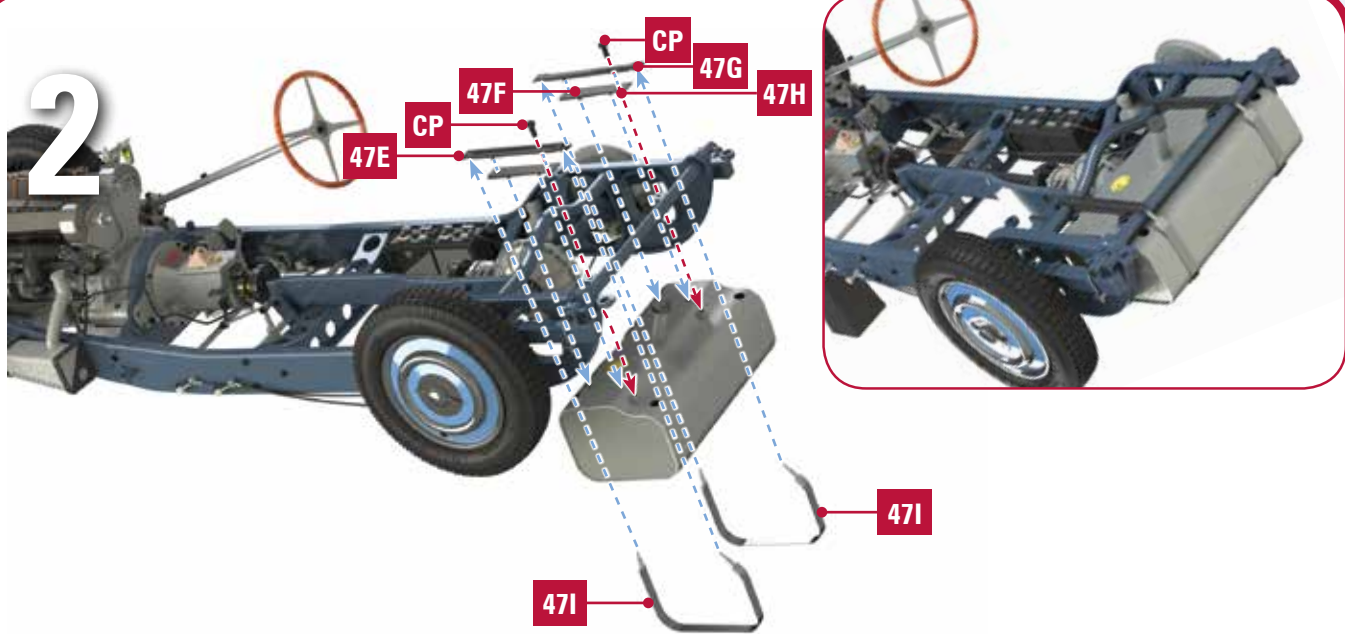
47 PARTS LIST



- | | | |
|--------------------------------------|---|--------------------------------------|
| 47A Fuel tank upper body | 47F Fuel tank left fixed beam bottom part | 47I Fuel tank fixed belt (x2) |
| 47B Fuel tank cap | 47G Fuel tank right fixed beam | 47J Nylon cable tie (x3) |
| 47C Filling pipe | 47H Fuel tank right fixed beam bottom part | SCREWS |
| 47D Filling pipe cap | | CP 9 screws |
| 47E Fuel tank left fixed beam | | |

1

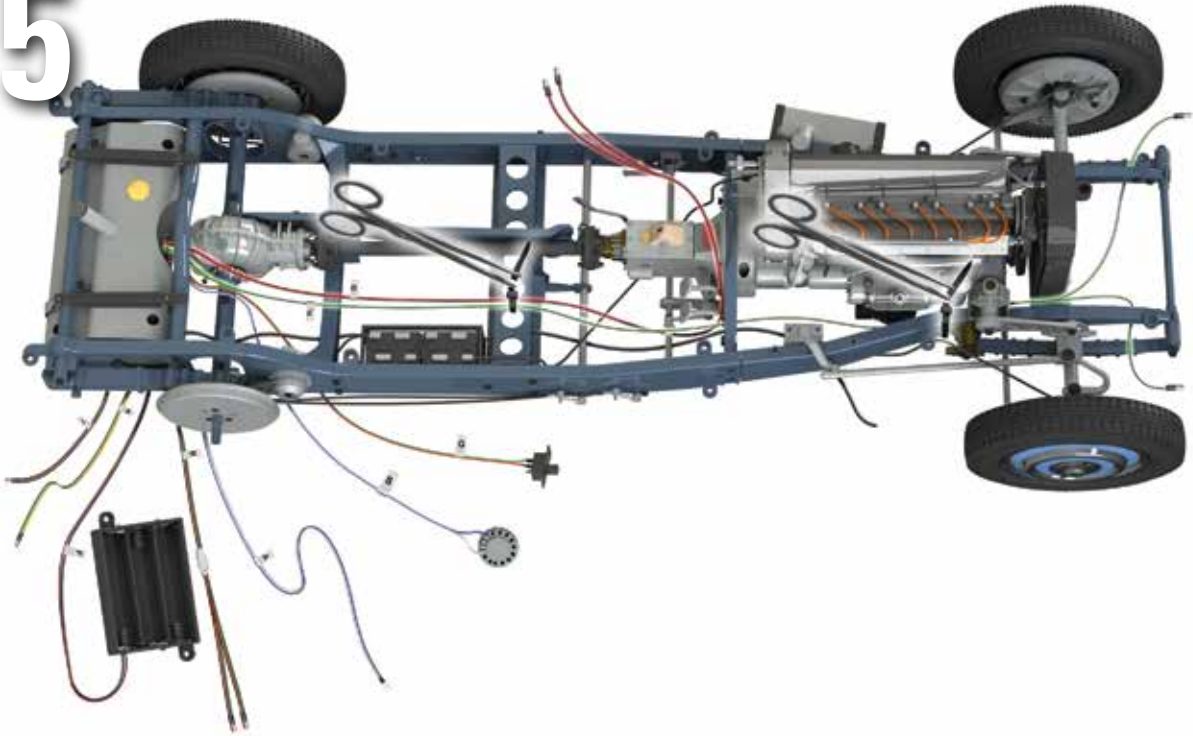




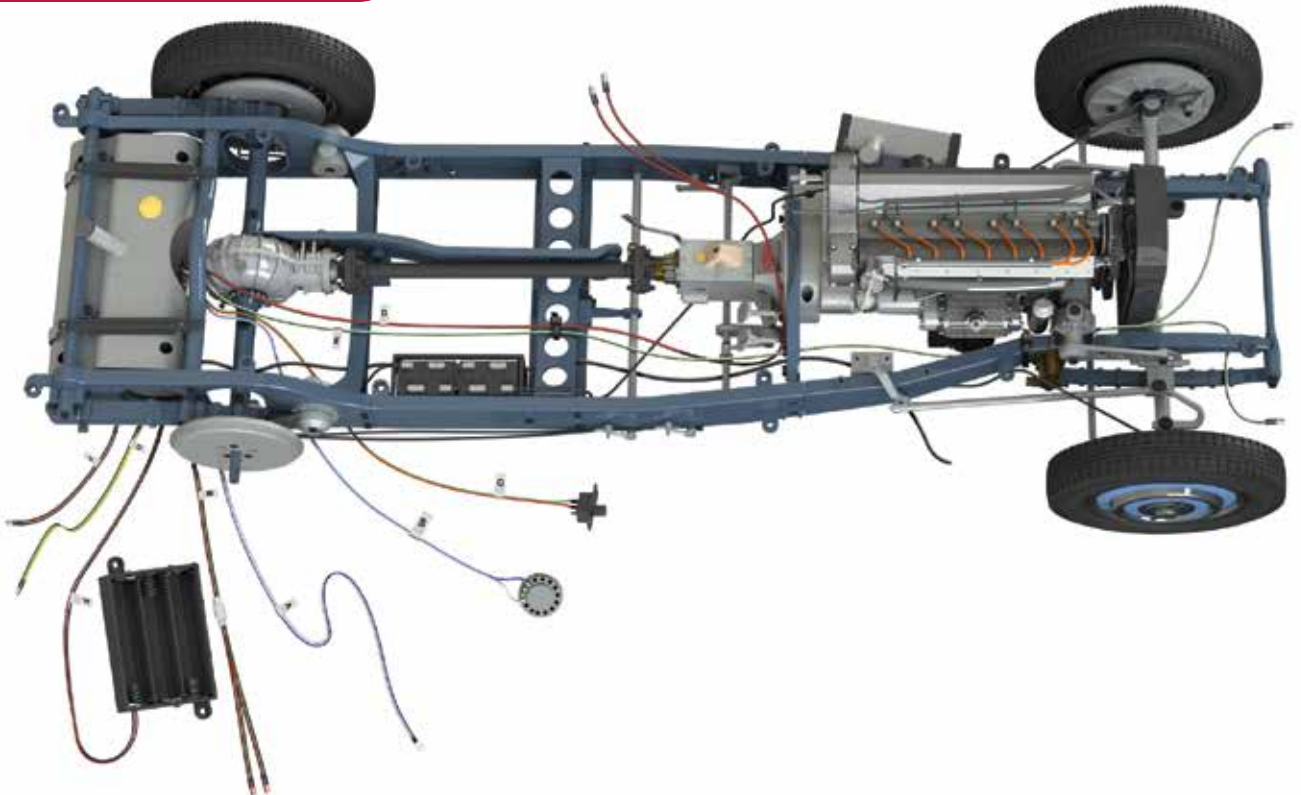
These pictures shows the optimal position of the cables. Attention: cables will not be shown later so as not to compromise the clarity of the instructions.



5



FINAL RESULT



48 PARTS LIST

48A



48B



48C (X28)



48D (X14)



48E



48F



48G



CM (x4)

DP (x2)

- 48A** Inner wheel A
- 48B** Inner spoke holder
- 48C** Spoke A (x28)
- 48D** Spoke B (x14)

- 48E** Inner wheel B
- 48F** Biadhesive stripe A (x40)
- 48G** Biadhesive stripe B (x40)

- SCREWS**
- CM** 4 screws
 - DP** 2 screws

FINAL RESULT

Refer to the instructions for kit 14.



48/1 PARTS LIST

48A



48B



48C



48D



48E



SM (x4)



TM (x4)

- 48A** Spoke holder A
- 48B** Spoke holder B
- 48C** Spoke A

- 48D** Outer wheel
- 48E** Inner wheel

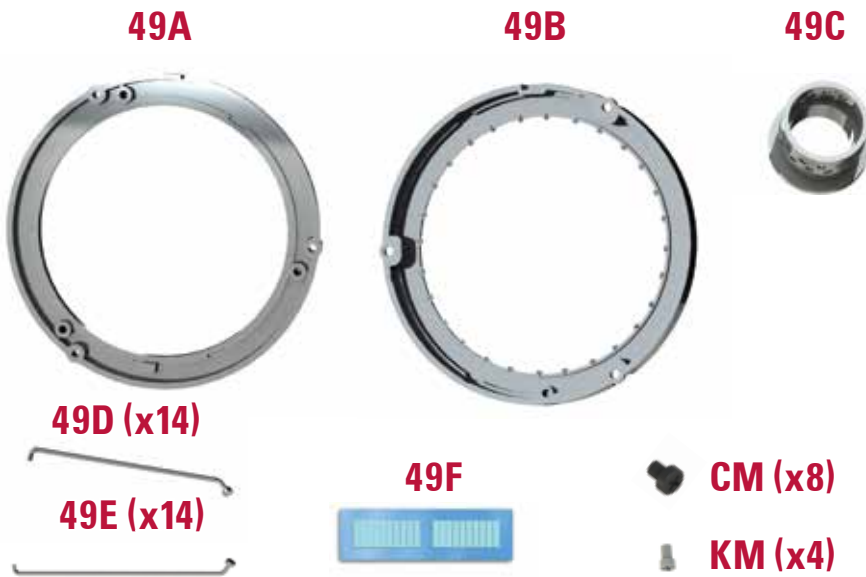
- SCREWS**
- SM** 4 screws
 - TM** 4 screws

FINAL RESULT

Refer to the instructions for kit 14/1.



49 PARTS LIST



- 49A** Inner wheel
- 49B** Outer wheel
- 49C** Outer spoke holder
- 49D** Spoke C (x14)
- 49E** Spoke D (x14)
- 49F** Biadhesive strip (x20)

SCREWS

- CM** 8 screws
- KM** 4 screws

FINAL RESULT

Refer to the instructions for kit 15.



49/1 PARTS LIST

49A



49B



49C



49D



49E



49F



 **CM (x8)**

 **ZM (x4)**

 **TM (x4)**

- 49A** Spoke holder C
- 49B** Spoke holder D
- 49C** Spoke B
- 49D** Inner wheel
- 49E** Inner wheel B
- 49F** Spoke holder D cap

SCREWS

CM 8 screws

ZM 4 screws

TM 4 screws

FINAL RESULT

Refer to the instructions for kit 15/1.



50 PARTS LIST

50A



50B



50C



50D



50E



50F



VM (x2)

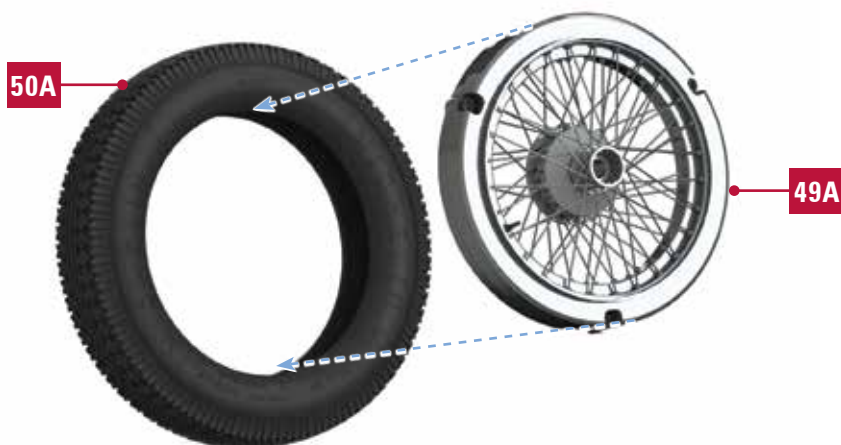
50A Tire
50B Wheel cap
50C Left wheel cap holder

50D Washer
50E Inner washer for spoke wheel

50F Biadhesive strips
SCREWS
VM 2 screws

1

Soak tire 50A for 30 seconds in hot water to soften it. Once removed from water carefully dry the tire, especially inside.



2



3



FINAL RESULT



50/1 PARTS LIST

50A



50B



50C



50D



50E



VM (x2)

- 50A** Tire
- 50B** Wheel cap
- 50C** Left wheel cap holder

- 50D** Washer
- 50E** Biadhesive strips

- SCREWS**
- VM** 2 screws

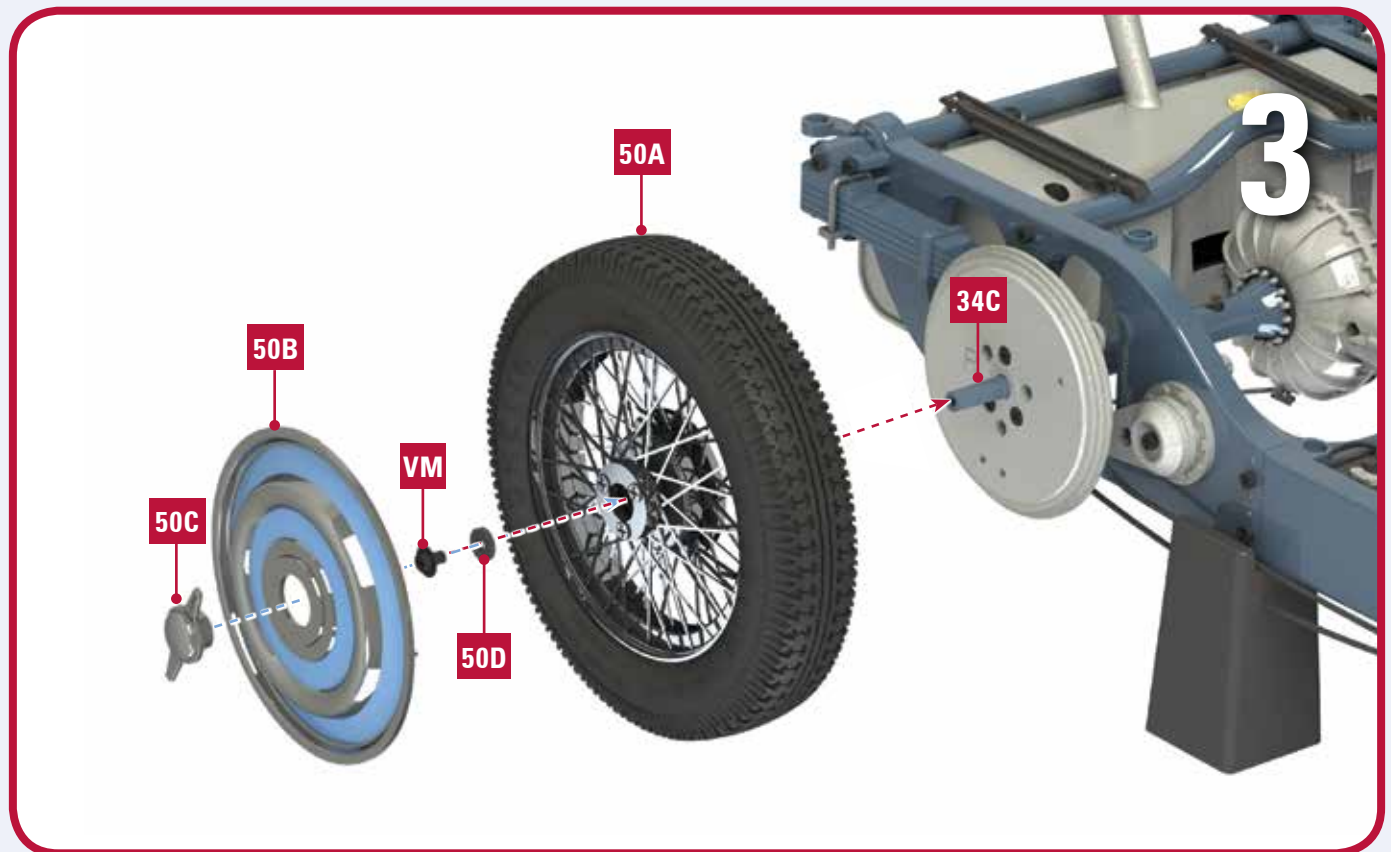
1

Soak tire 50A for 30 seconds in hot water to soften it. Once removed from water carefully dry the tire, especially inside.

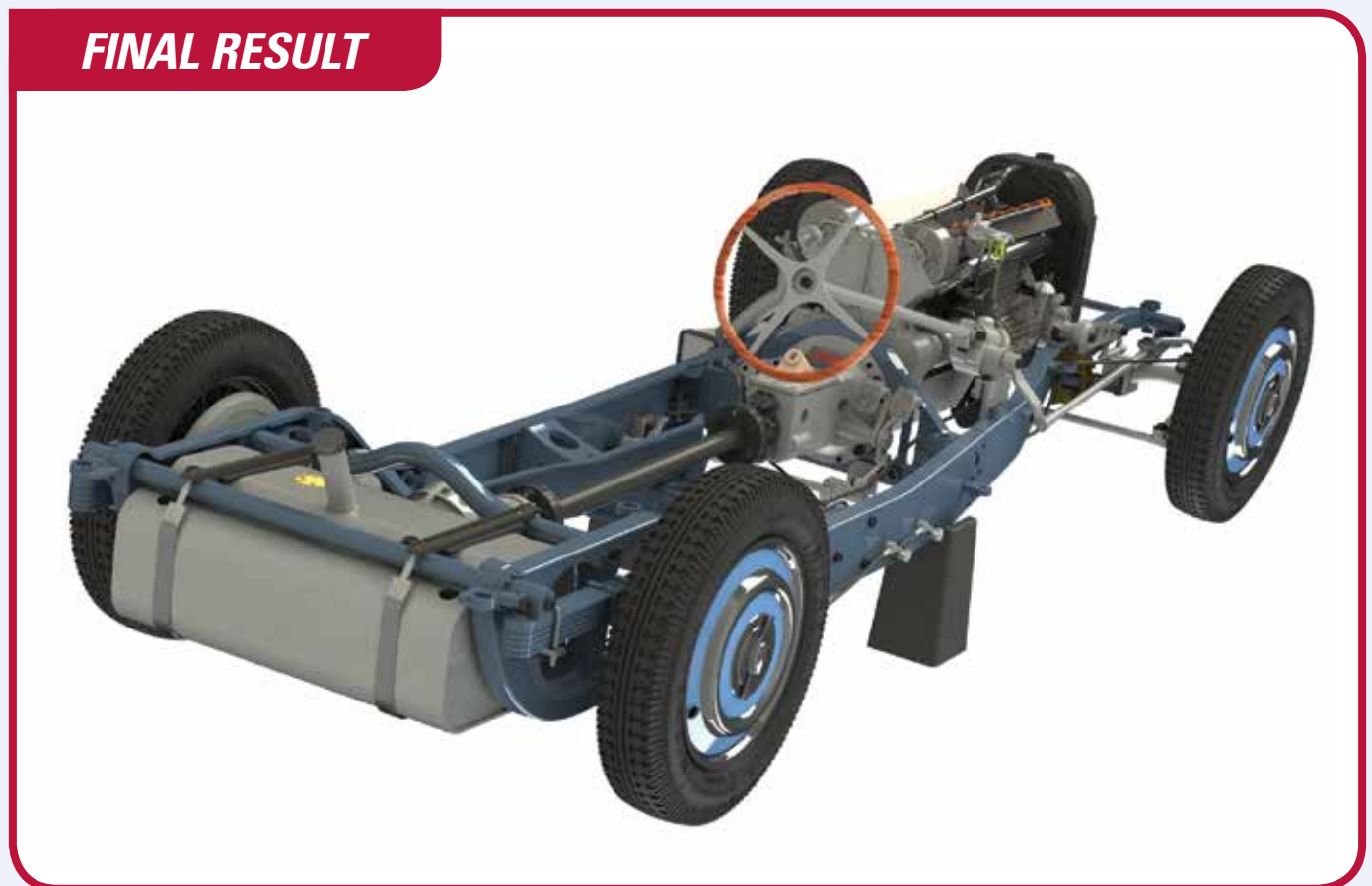


2



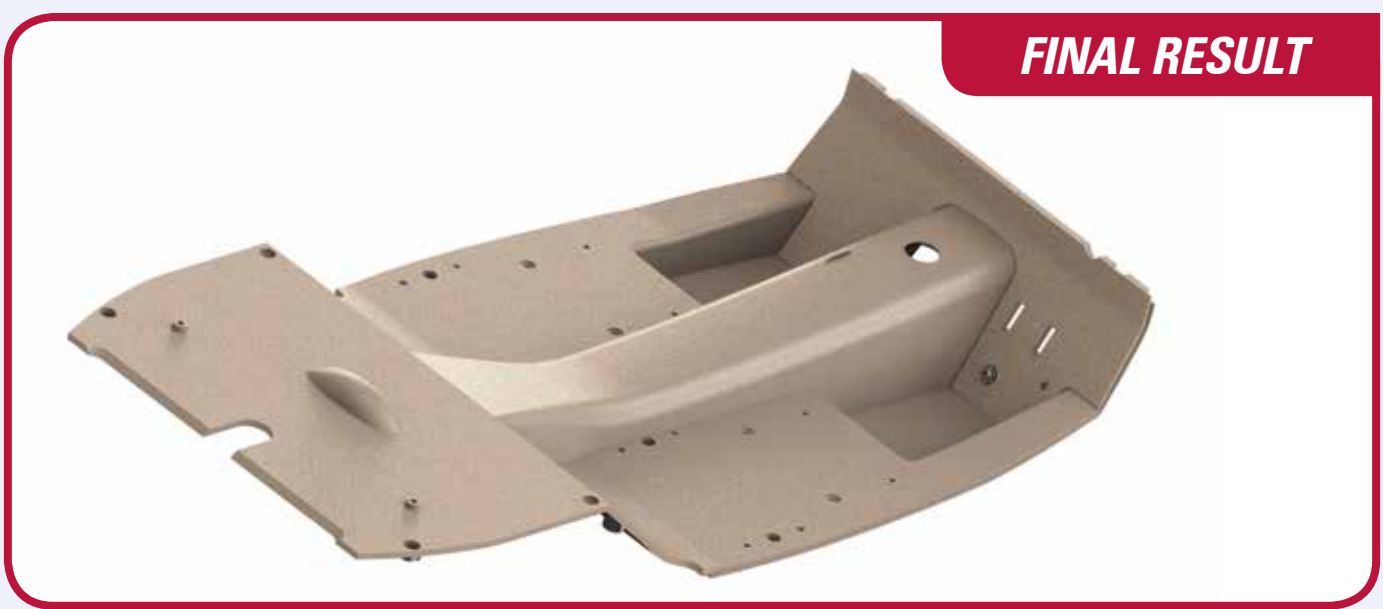
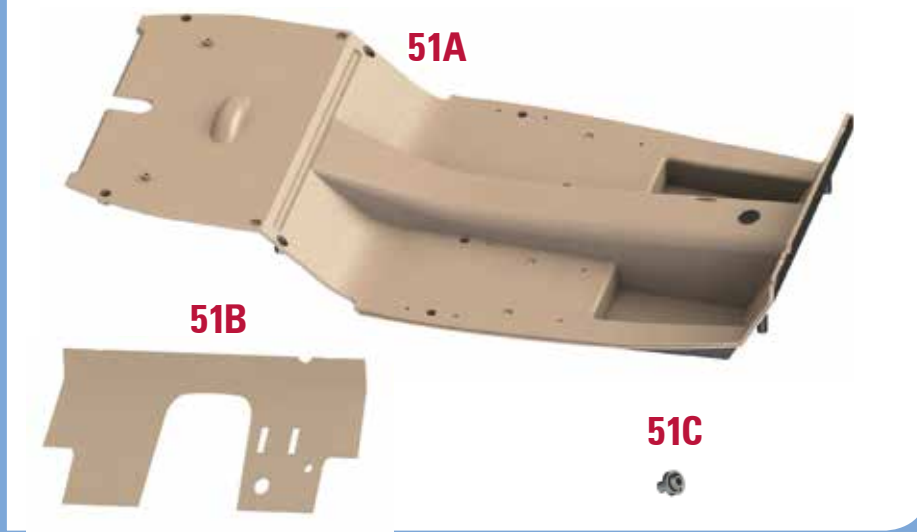


FINAL RESULT



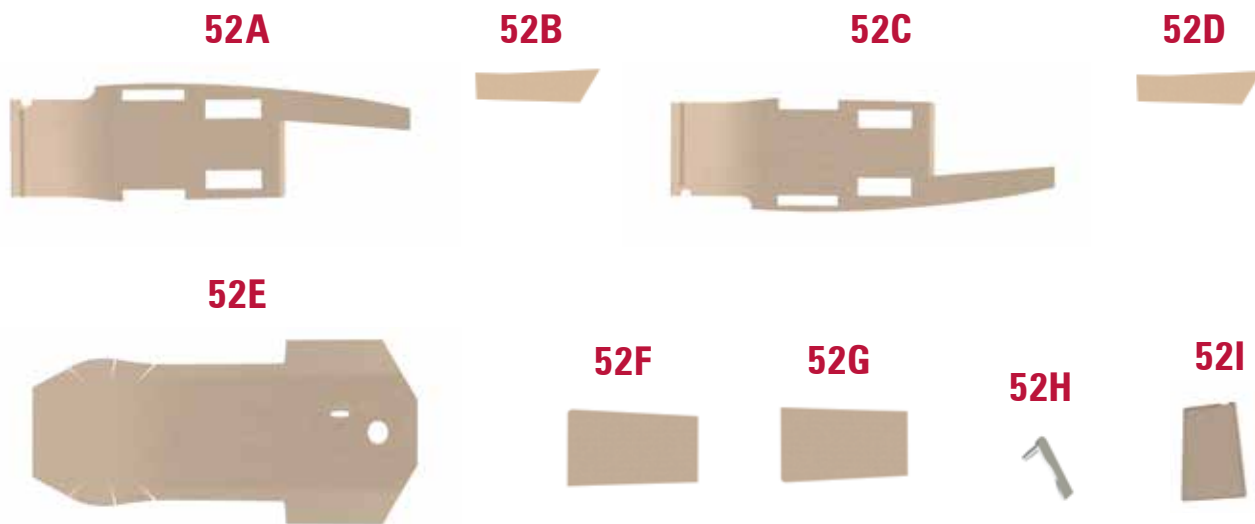
51 PARTS LIST

- 51A Interior floor
- 51B Carpet front
- 51C Foot rest



FINAL RESULT

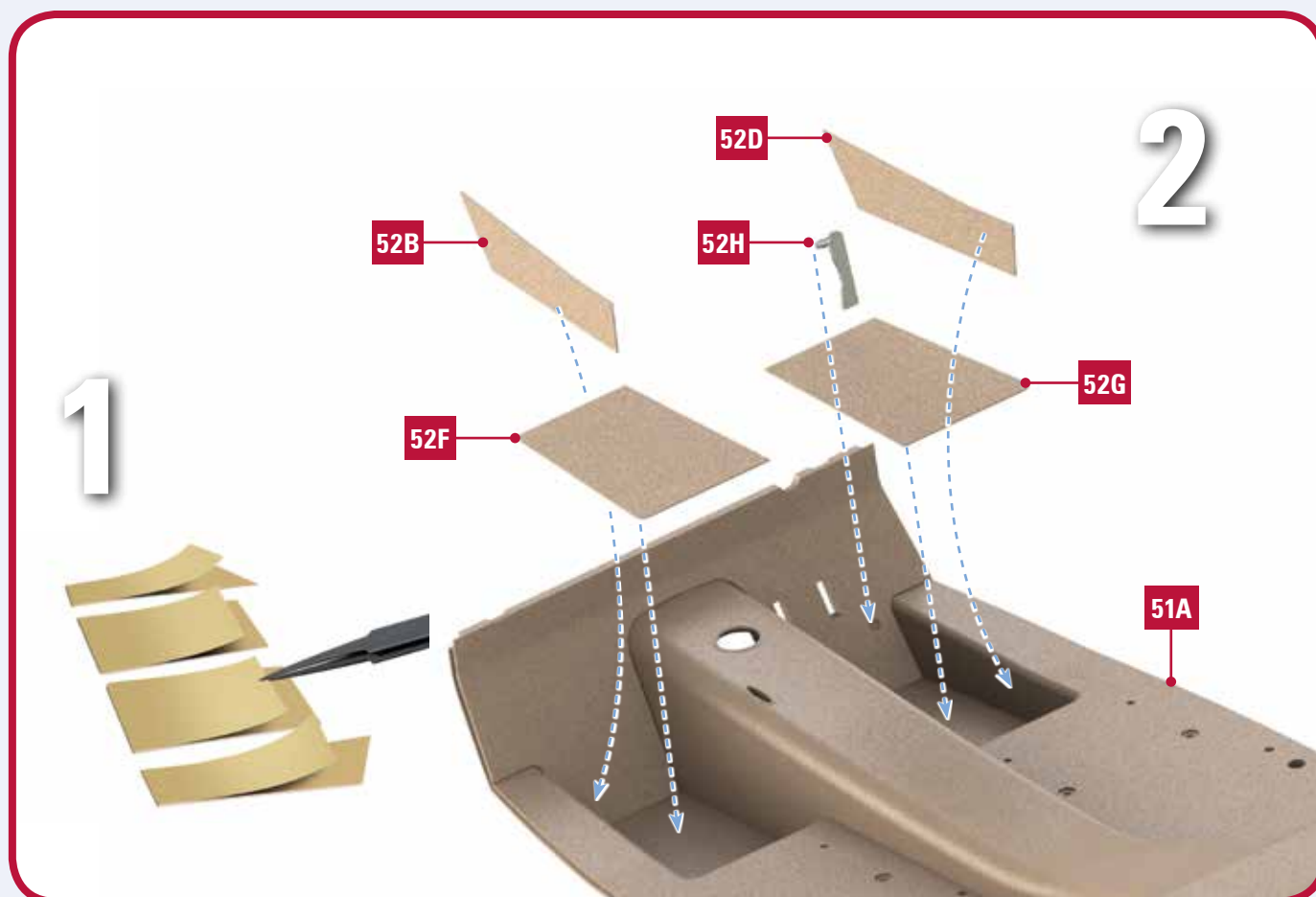
52 PARTS LIST



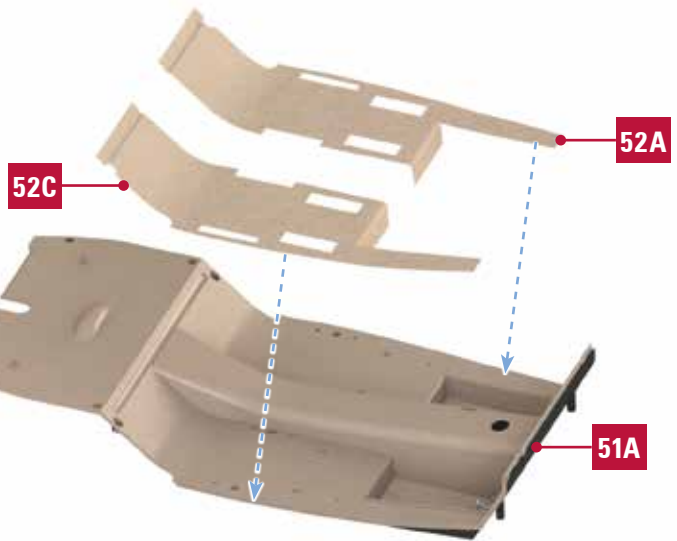
52A Carpet left
52B Carpet inner left
52C Carpet right

52D Carpet inner right
52E Carpet middle
52F Carpet front left

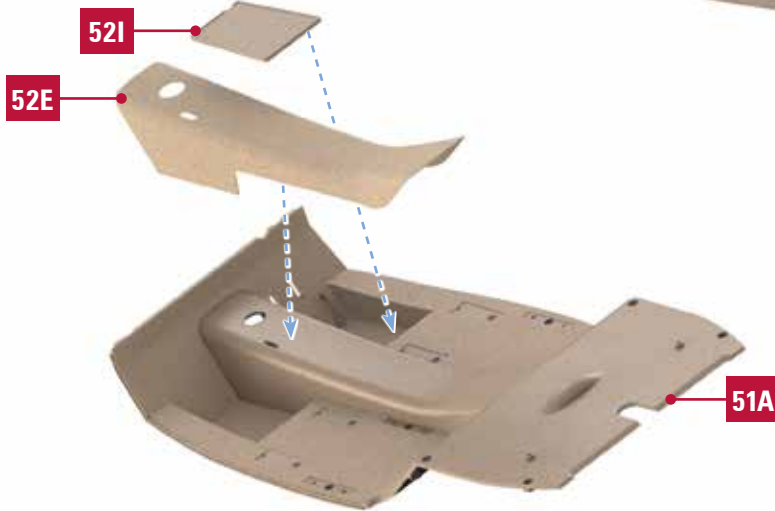
52G Carpet front right
52H Gas pedal
52I Carpet right



3



4



FINAL RESULT

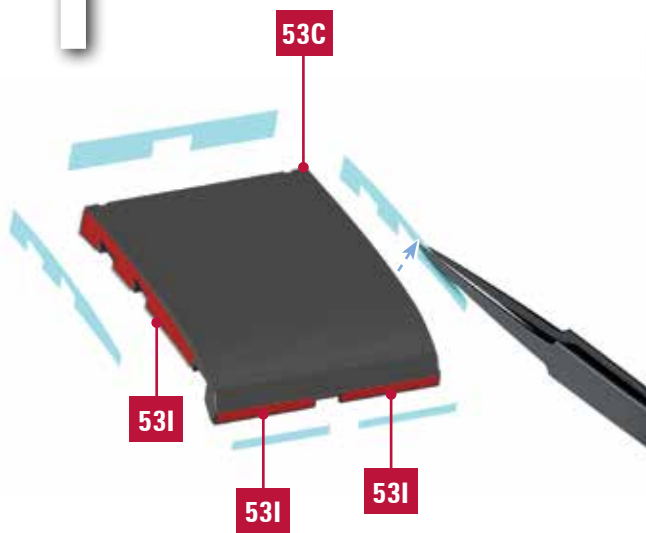


53 PARTS LIST

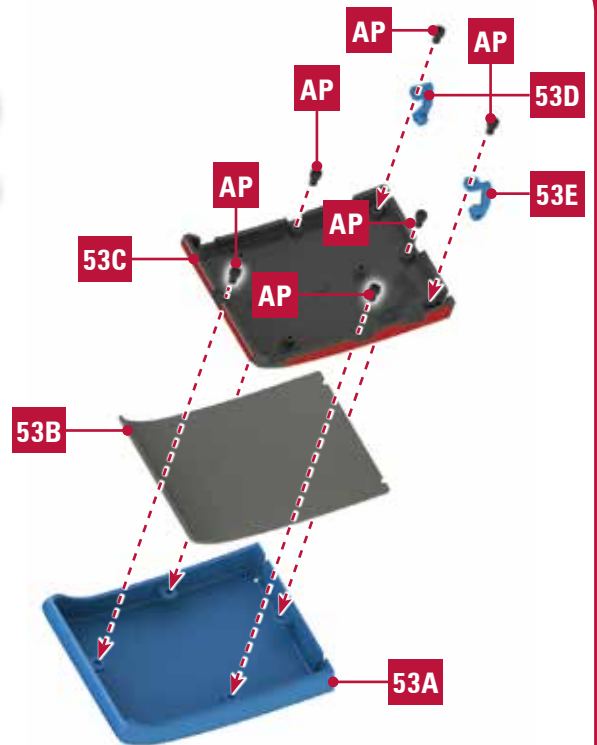


- | | | |
|----------------------------------|---------------------------------|---------------------|
| 53A Seat | 53F Seat bottom cover | SCREWS |
| 53B Seat sponge | 53G Seat bottom bracket | SM 5 screws |
| 53C Seat sponge bracket | 53H Seat slide rail (x2) | AP 11 screws |
| 53D Seat back left hinge | 53I Biadhesive sticker | ACM 3 screws |
| 53E Seat back right hinge | | |

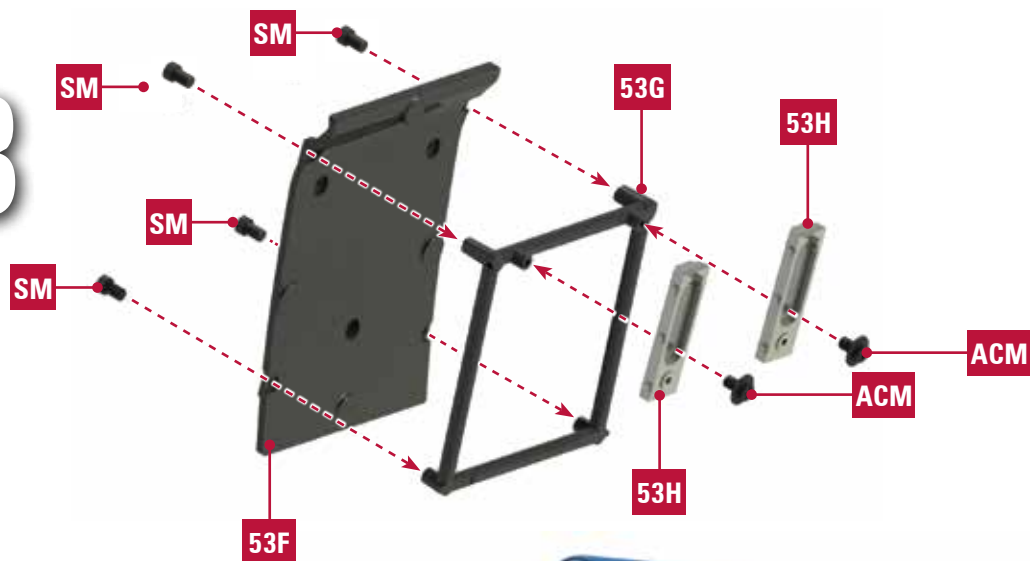
1



2



3



4



FINAL RESULT



54 PARTS LIST

54A



54B



54C



54D



54E



54F (x2)



54G



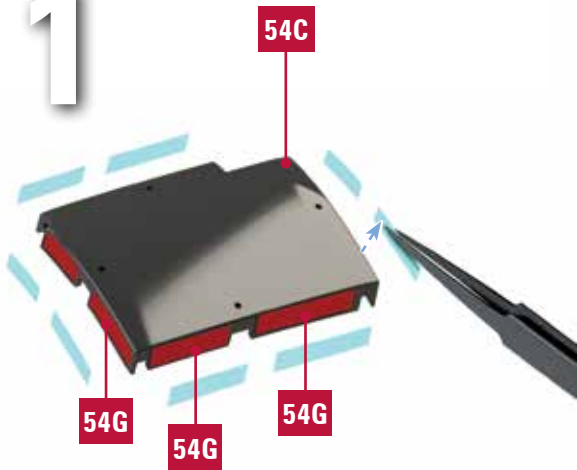
SP (x14)

- 54A** Left seat back
- 54B** Left seat back sponge
- 54C** Left seat back sponge bracket
- 54D** Left seat back cover
- 54E** Left seat back armrest
- 54F** Seat slide rail (x2)
- 54G** Biadhesive sticker

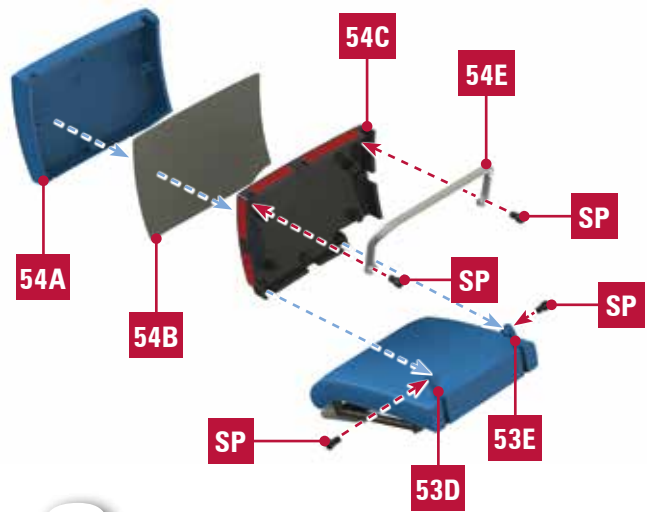
SCREWS

SP 14 screws

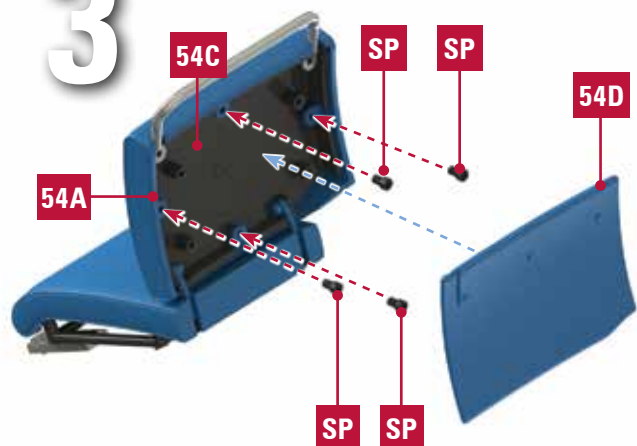
1

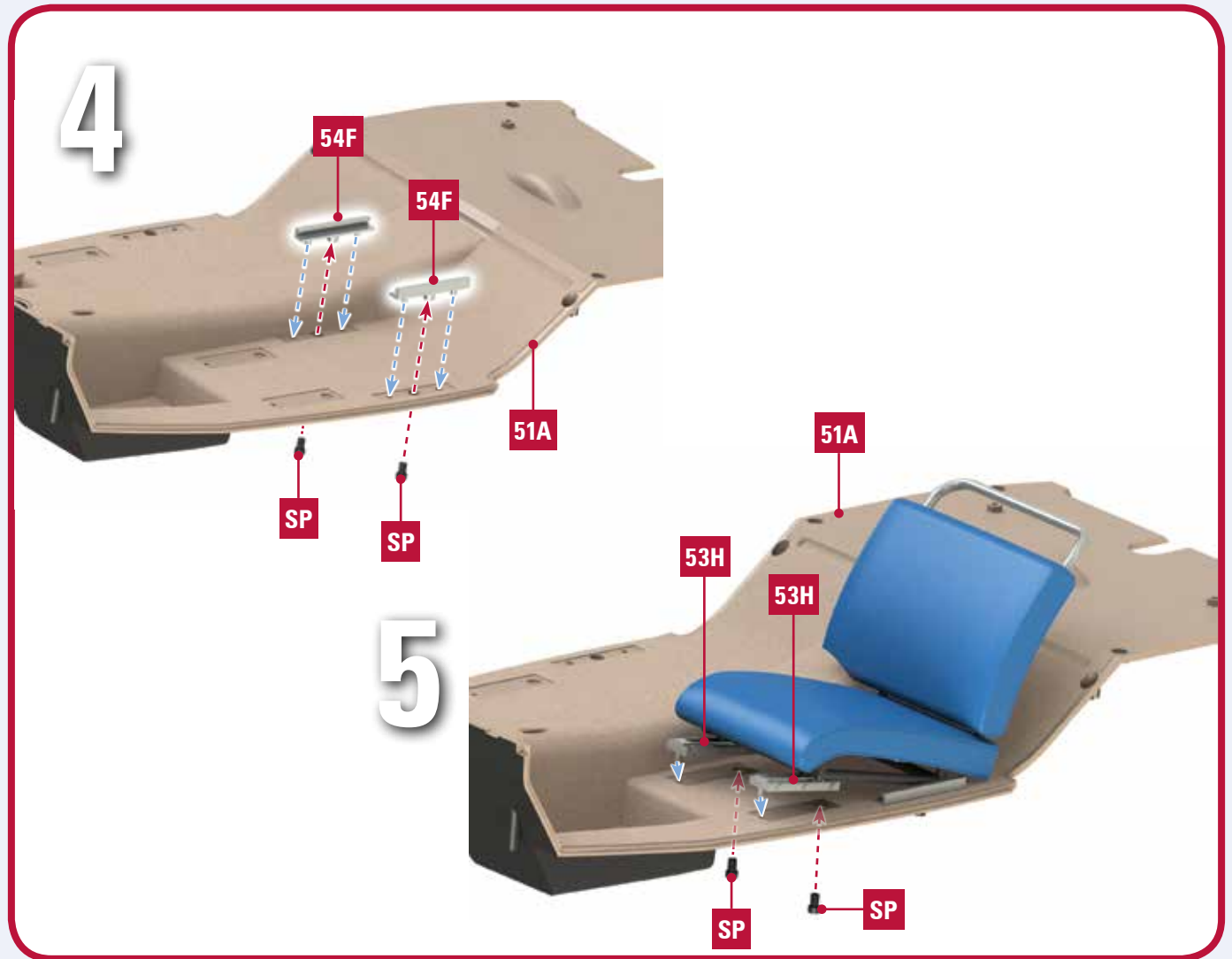


2



3





FINAL RESULT



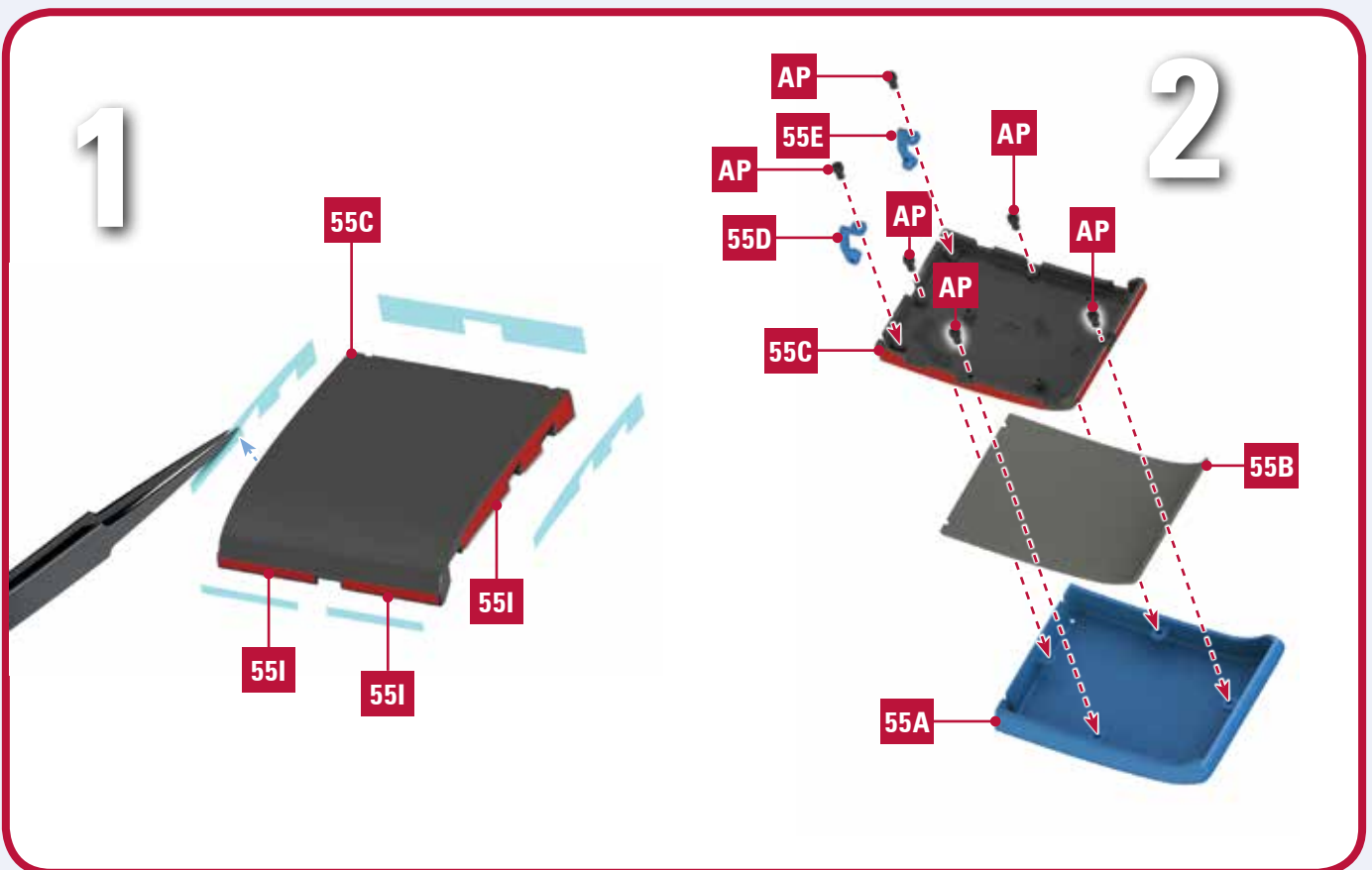
55 PARTS LIST



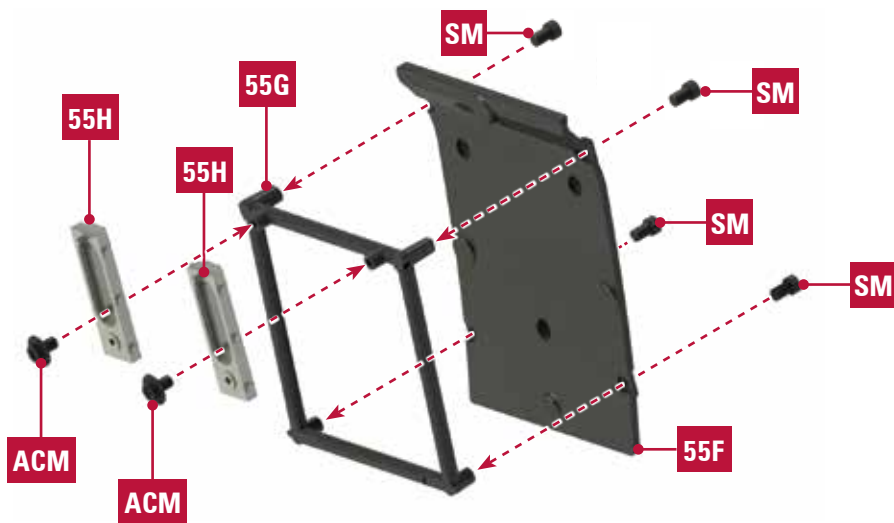
55A Seat
55B Seat sponge
55C Seat sponge bracket
55D Seat back left hinge
55E Seat back right hinge

55F Seat bottom cover
55G Seat bottom bracket
55H Seat slide rail (x2)
55I Biadhesive sticker

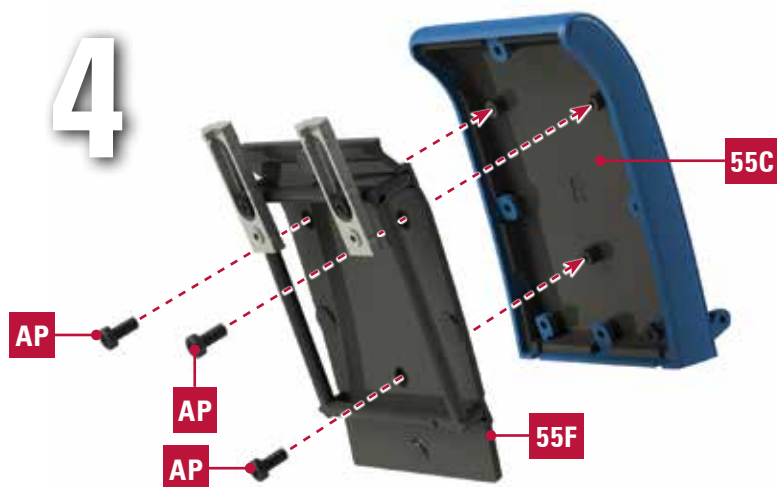
SCREWS
SM 5 screws
AP 11 screws
ACM 3 screws



3



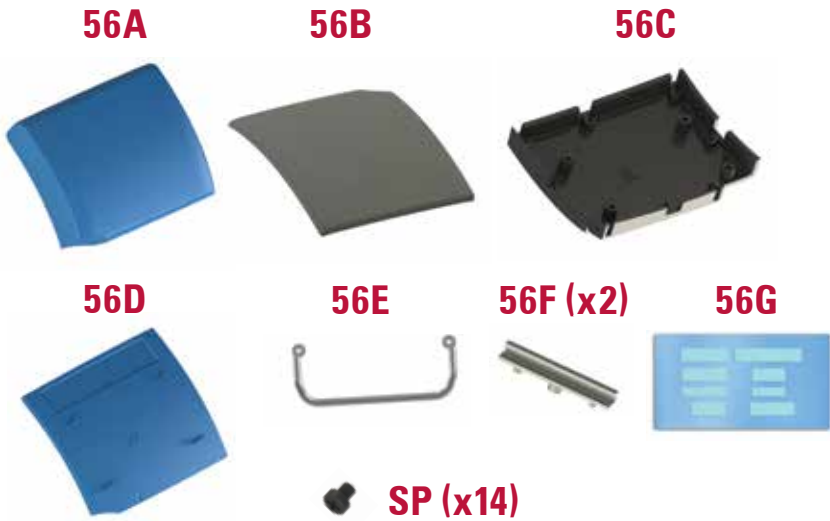
4



FINAL RESULT

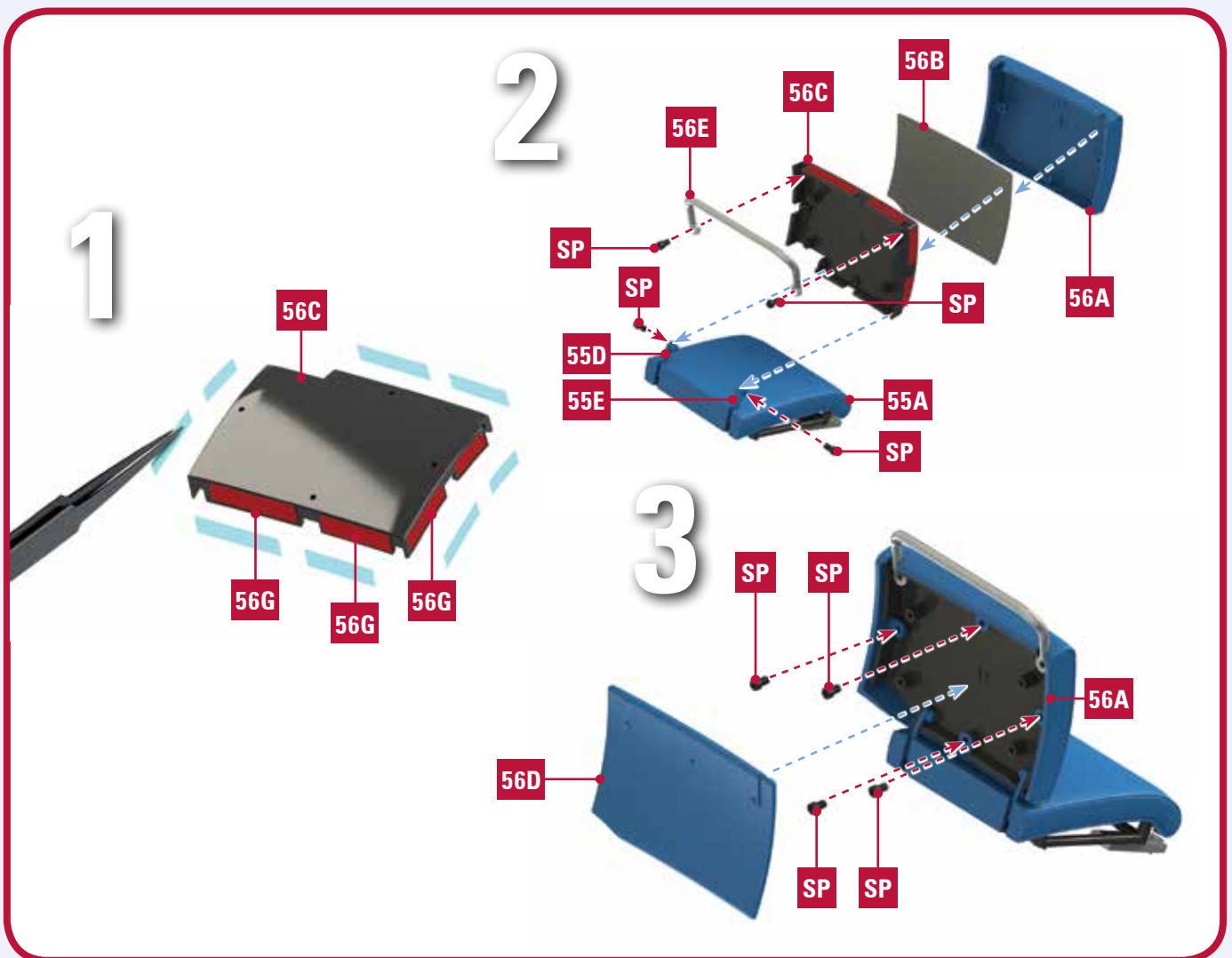


56 PARTS LIST

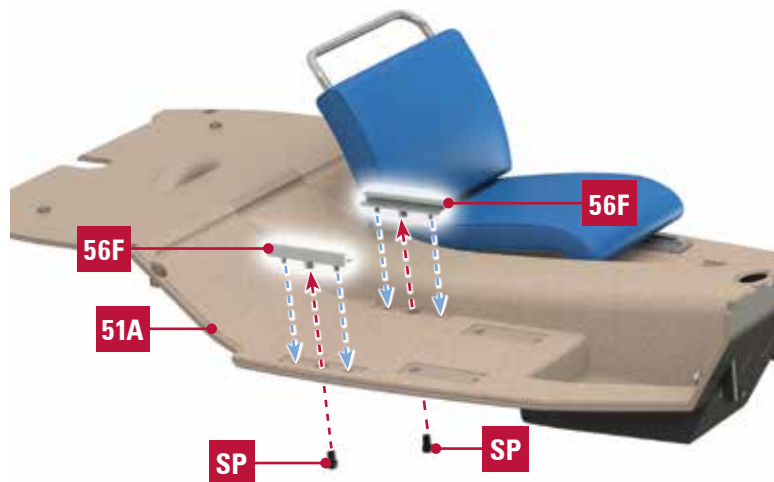


- 56A Right seat back
- 56B Right seat back sponge
- 56C Right seat back sponge bracket
- 56D Right seat back cover
- 56E Right seat back armrest
- 56F Seat slide rail (x2)
- 56G Biadhesive sticker

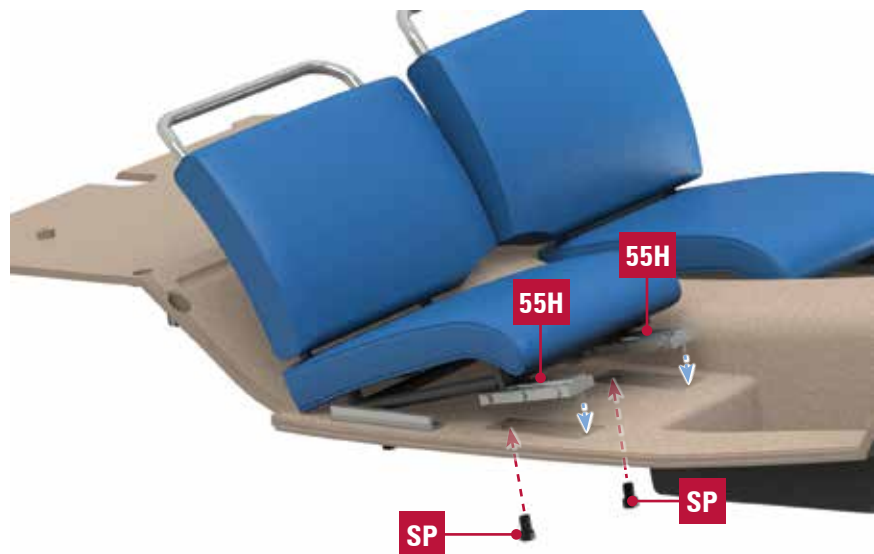
SCREWS
SP 14 screws



4



5



FINAL RESULT



57 PARTS LIST

57A



57B



57C



- 57A** Left rear wheel fender
- 57B** Right rear wheel fender
- 57C** Carpet rear

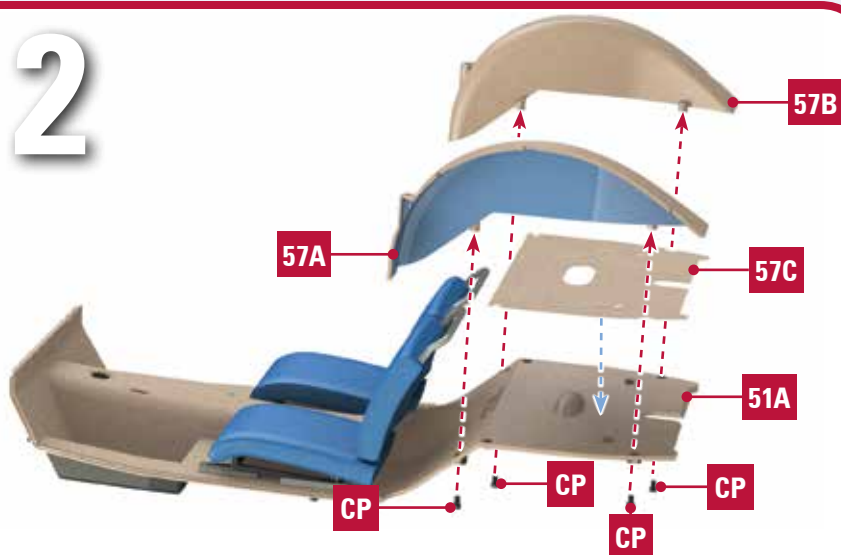
SCREWS
CP 5 screws

CP (x5)

1



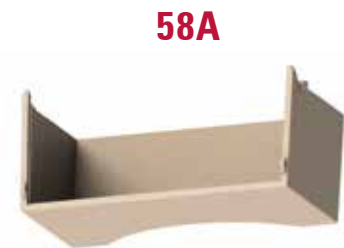
2



FINAL RESULT



58 PARTS LIST



- AP (x2)**
- EP (x7)**



- MP (x5)**
- XP (x8)**

58C (x2)



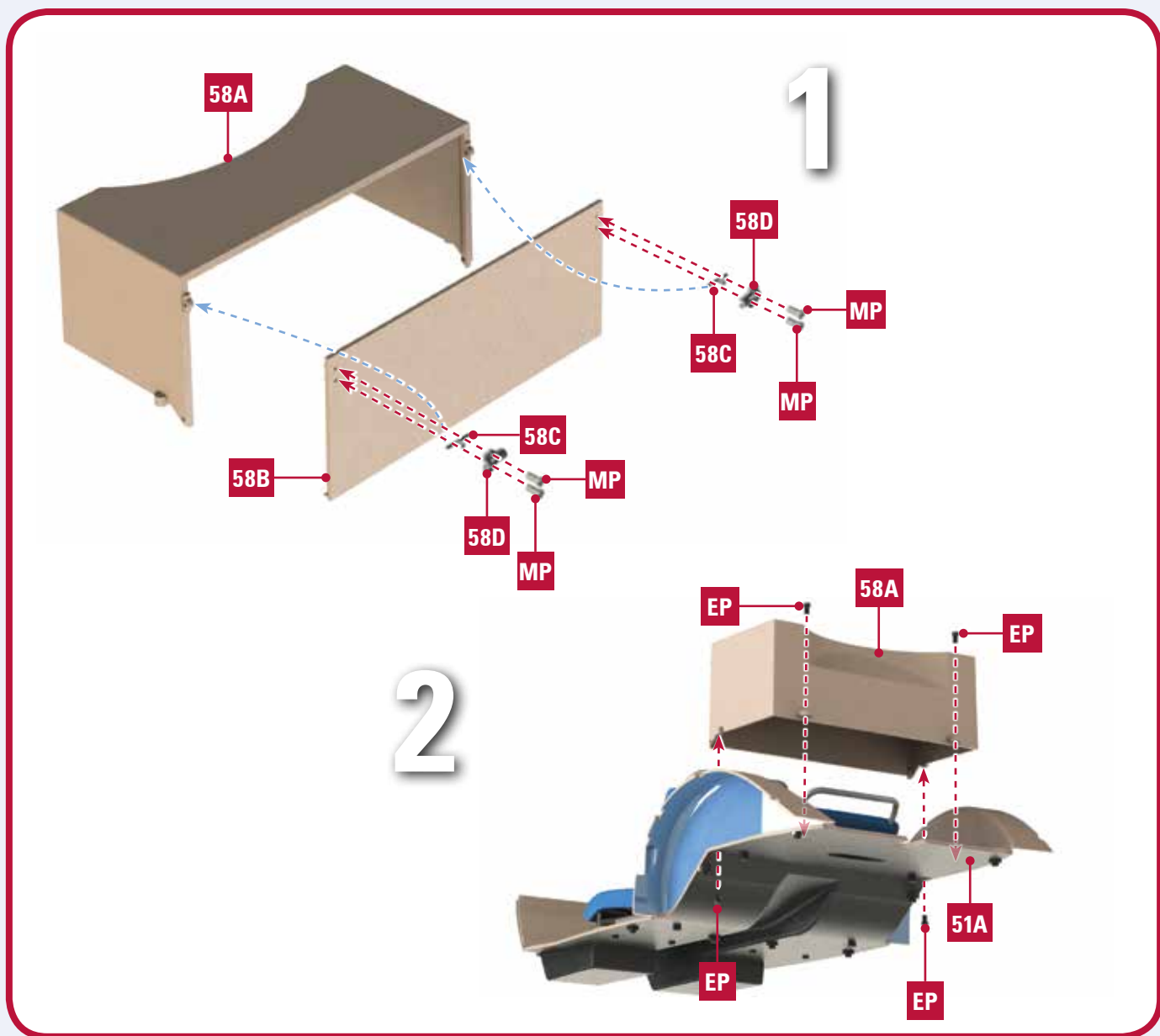
58D (x2)



- 58A** Luggage
- 58B** Luggage door
- 58C** Luggage door lock
- 58D** Luggage door lock base

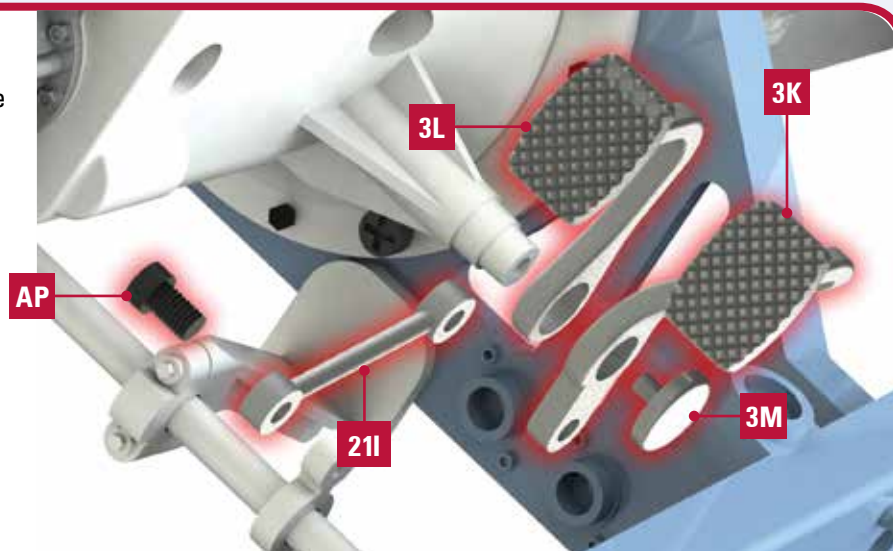
SCREWS

- AP** 2 screws
- EP** 7 screws
- MP** 5 screws
- XP** 8 screws

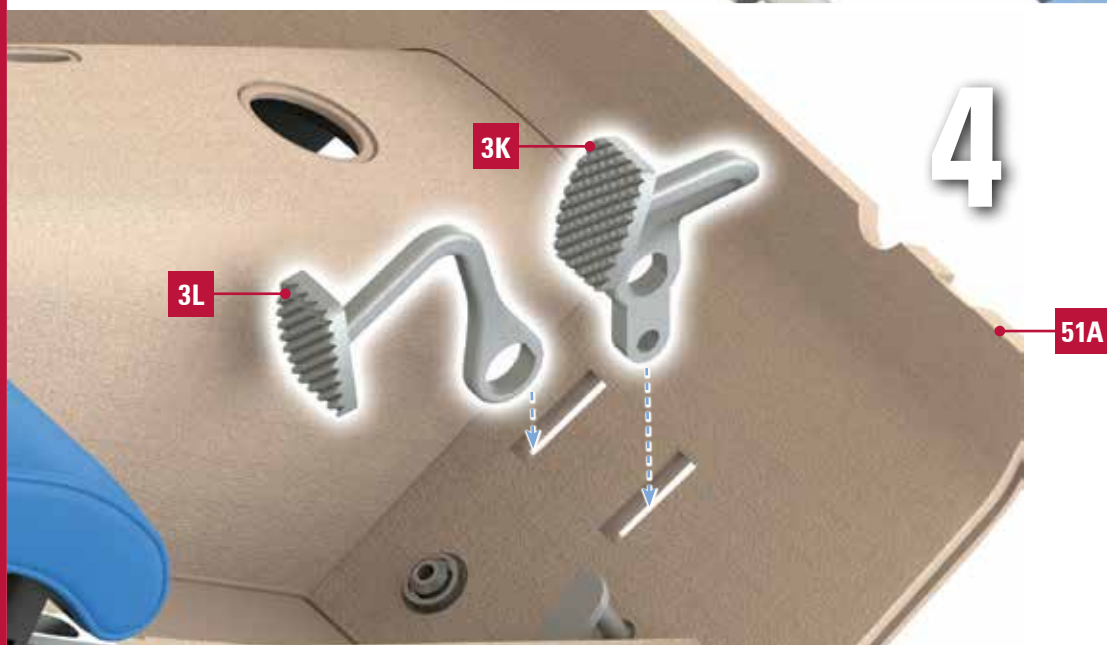


3

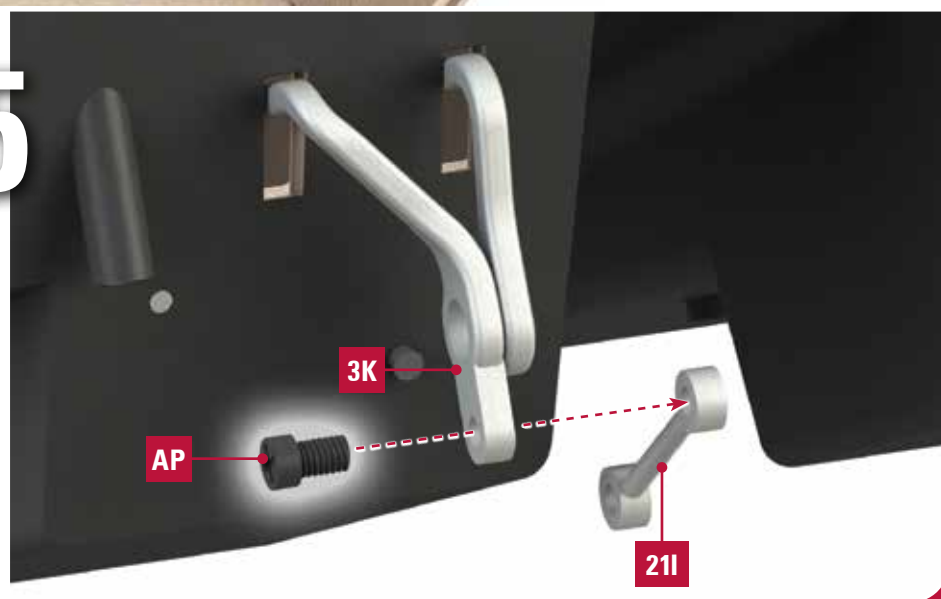
Disassemble these parts.



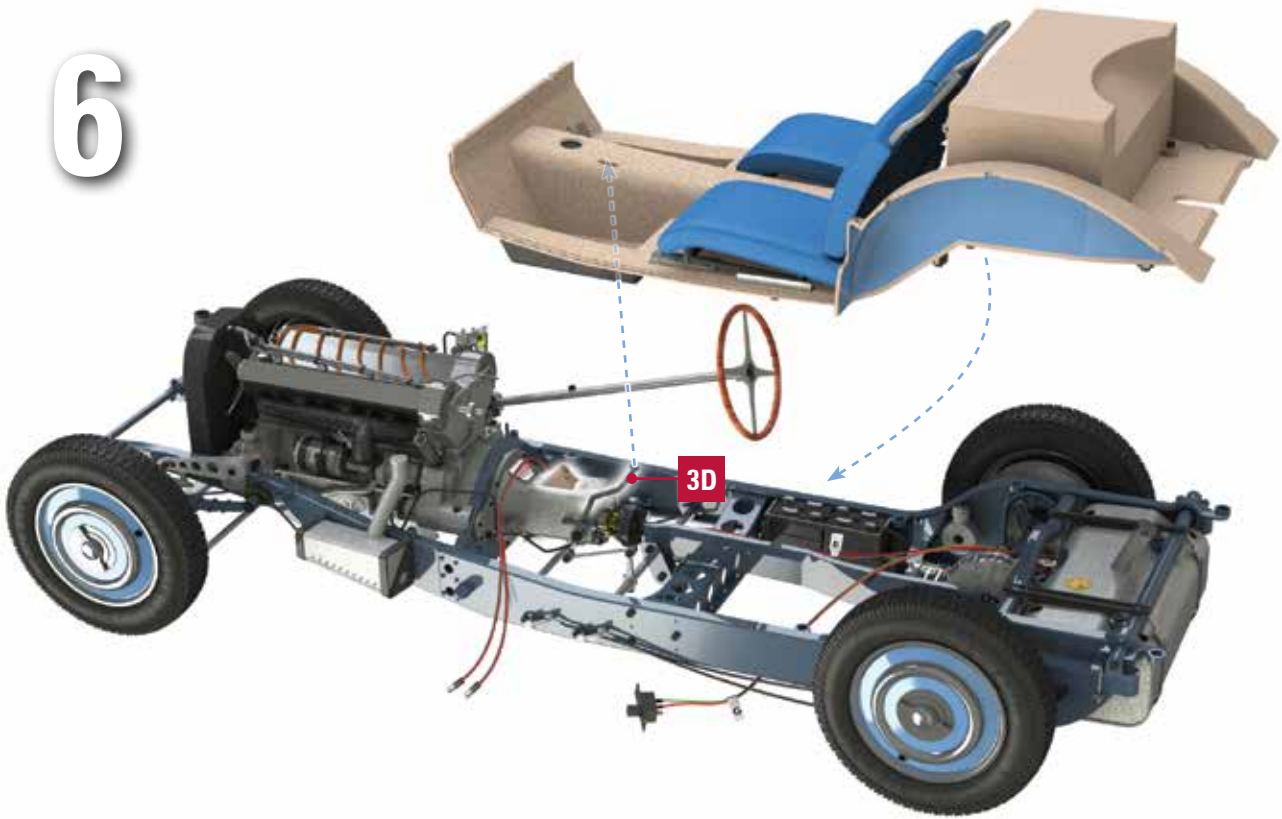
4



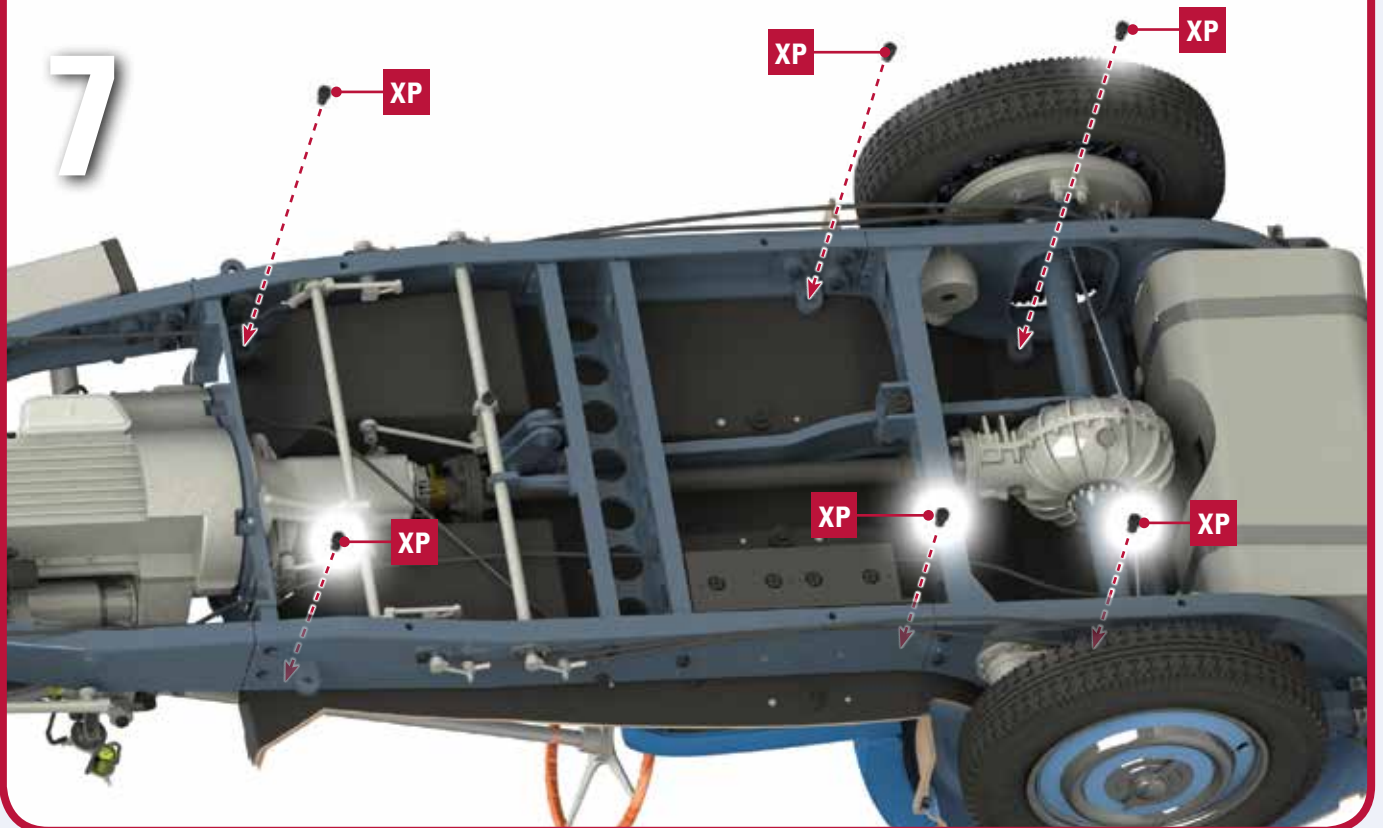
5

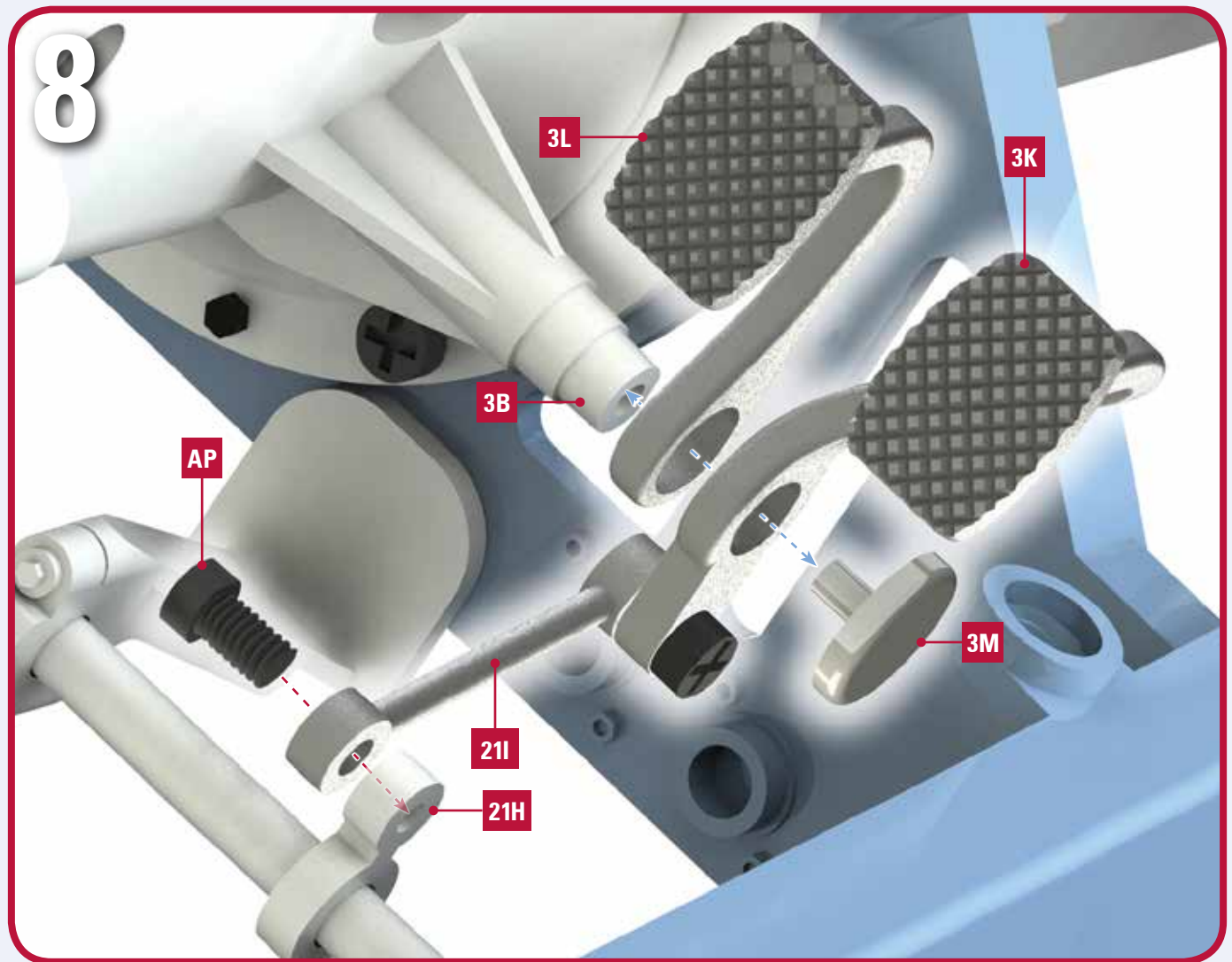


6

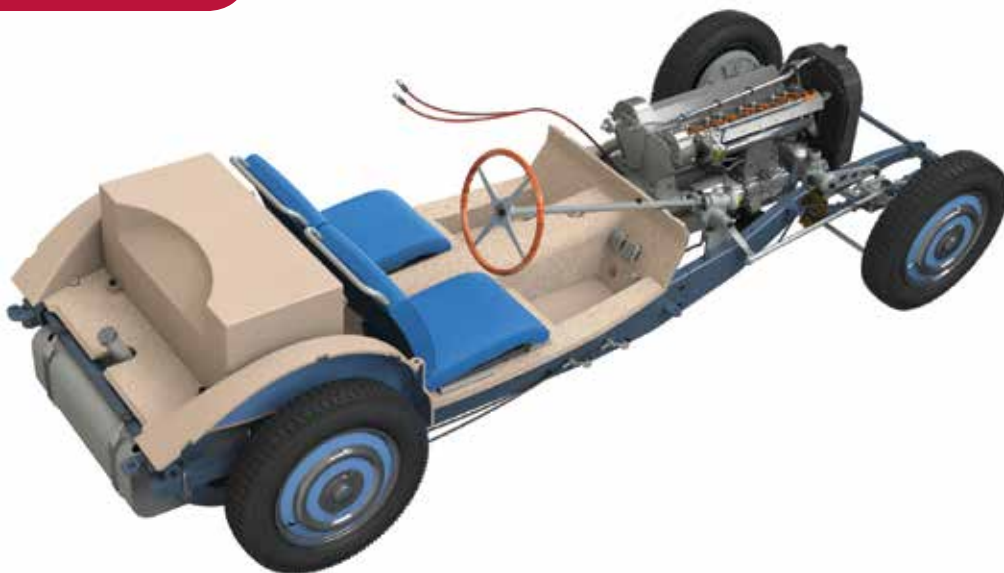


7





FINAL RESULT



59 PARTS LIST

59A



59A Chassis protect

SCREWS

AFM 8 screws

CP 5 screws

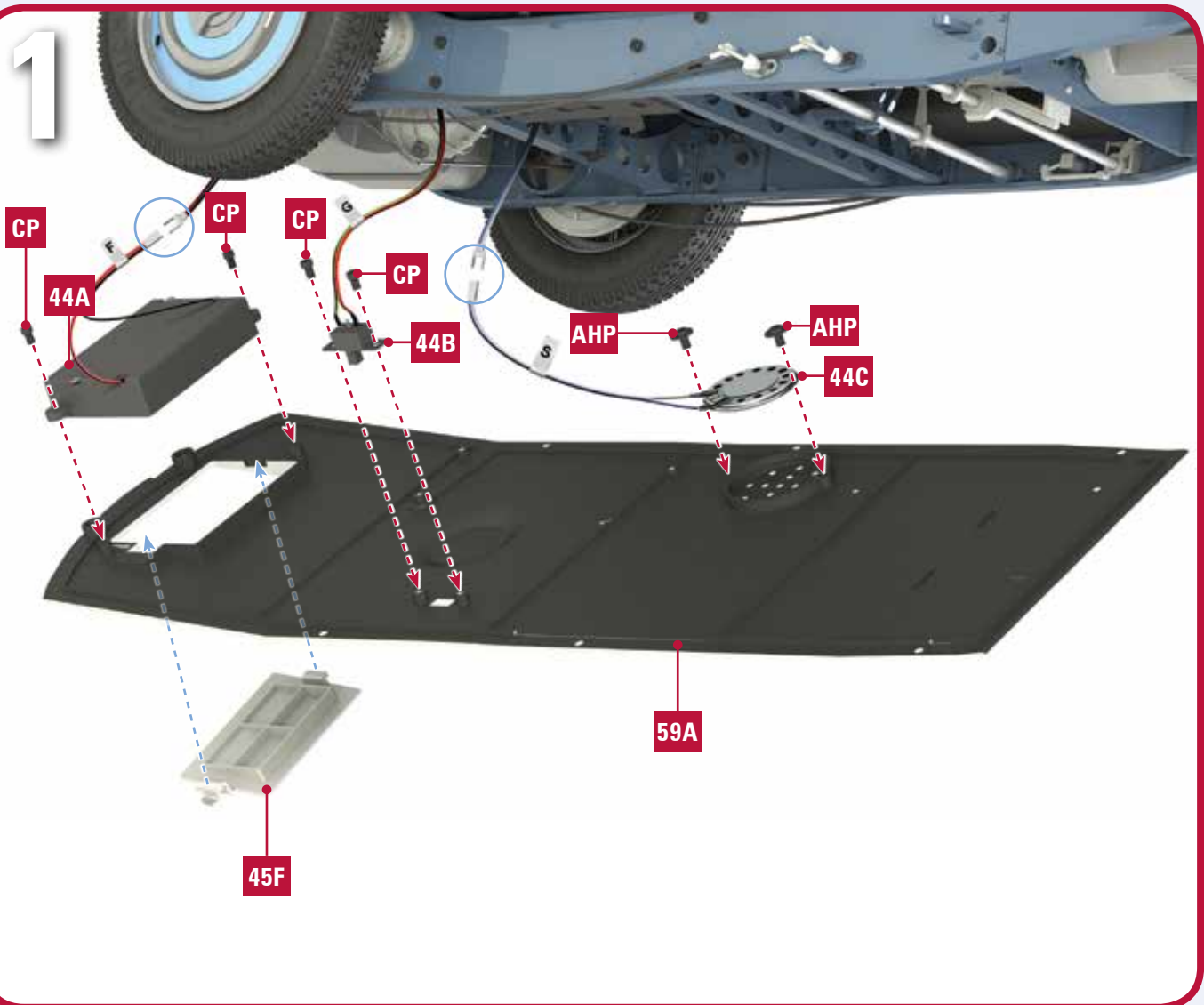
AHP 3 screws

AFM (x8)

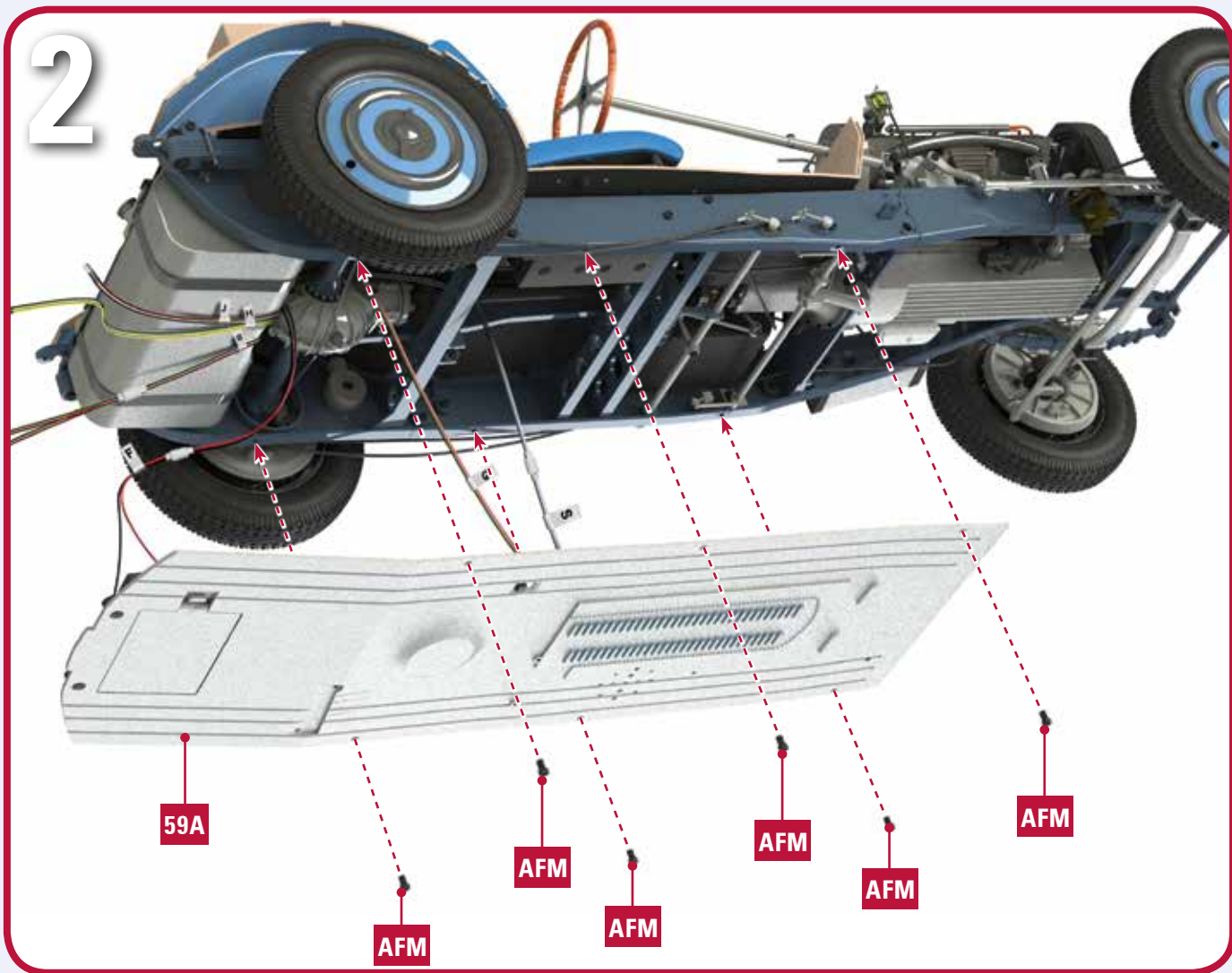
CP (x5)

AHP (x3)

1



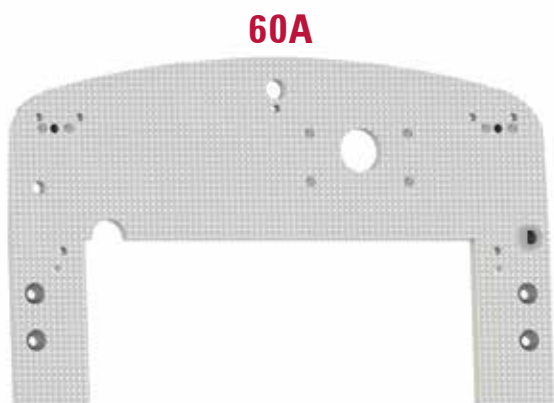
2



FINAL RESULT



60 PARTS LIST



AM (x5)

60B



60C



60D



60E



60F (x2)



60G



60H



60I



60J

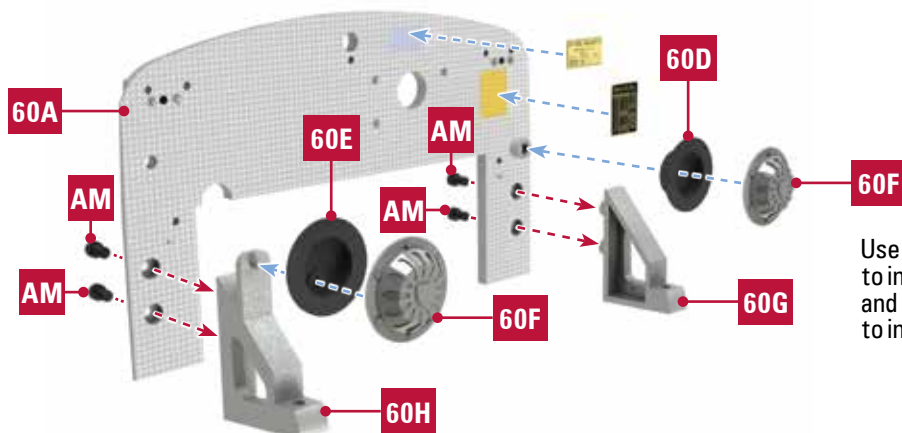


- 60A** Firewall
- 60B** Metal plate A
- 60C** Metal plate B
- 60D** Horn base left
- 60E** Horn base right
- 60F** Horn (x2)
- 60G** Firewall left bracket
- 60H** Firewall right bracket
- 60I** Biadhesive sticker A
- 60J** Biadhesive sticker B

SCREWS

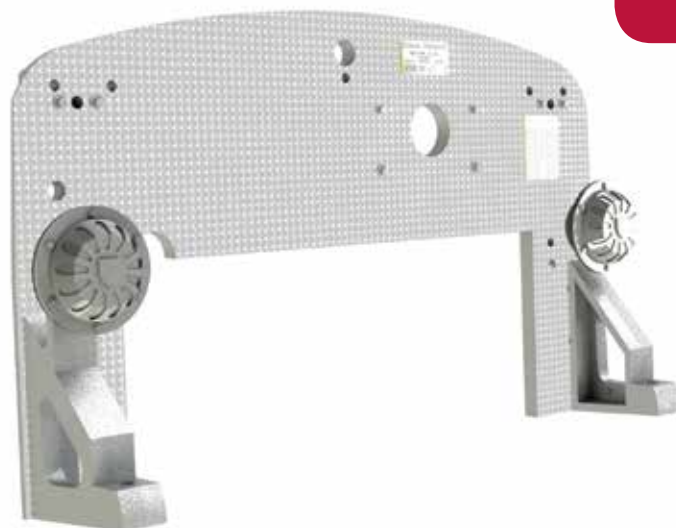
AM 5 screws

1



Use biadhesive sticker A (60I) to install metal plate A (60B) and biadhesive sticker B (60J) to install metal plate B (60C).

FINAL RESULT



61 PARTS LIST

61A



61B



61C



61D



61E



61F



61H



61I



61G



61J



61K



CM (x3)

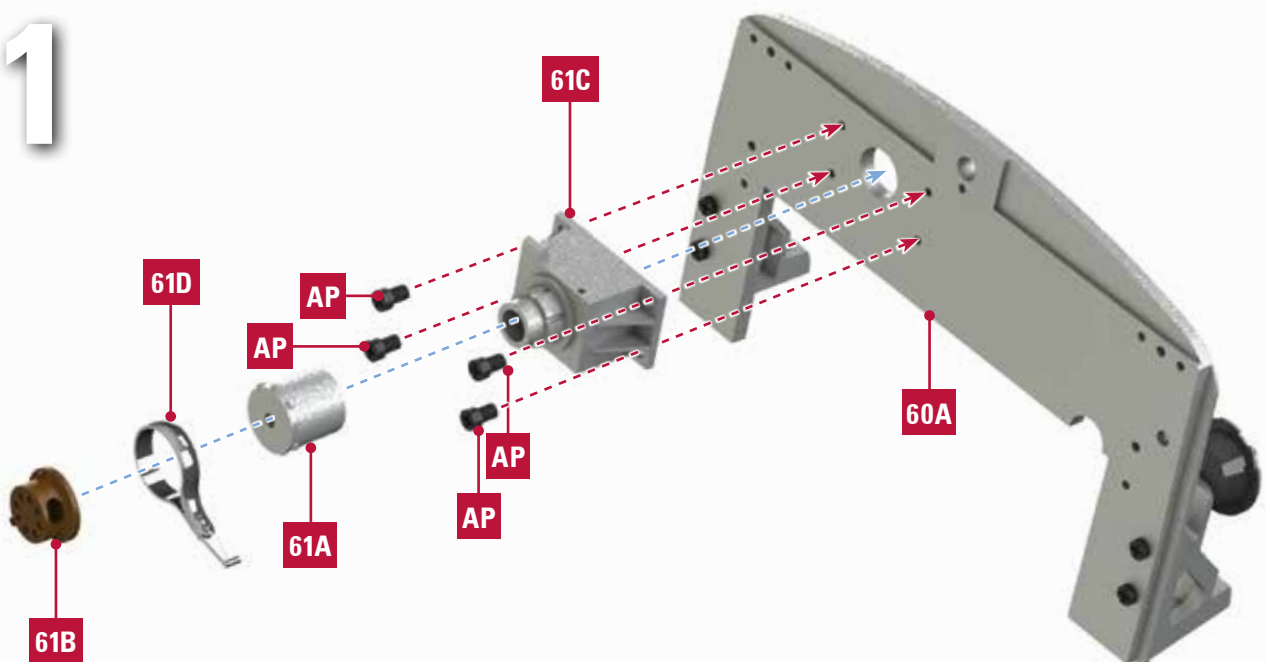
AP (x12)

- 61A** Distributor
- 61B** Distributor cap
- 61C** Distributor base
- 61D** Distributor contral
- 61E** Distributor wires
- 61F** Dashboard left bracket

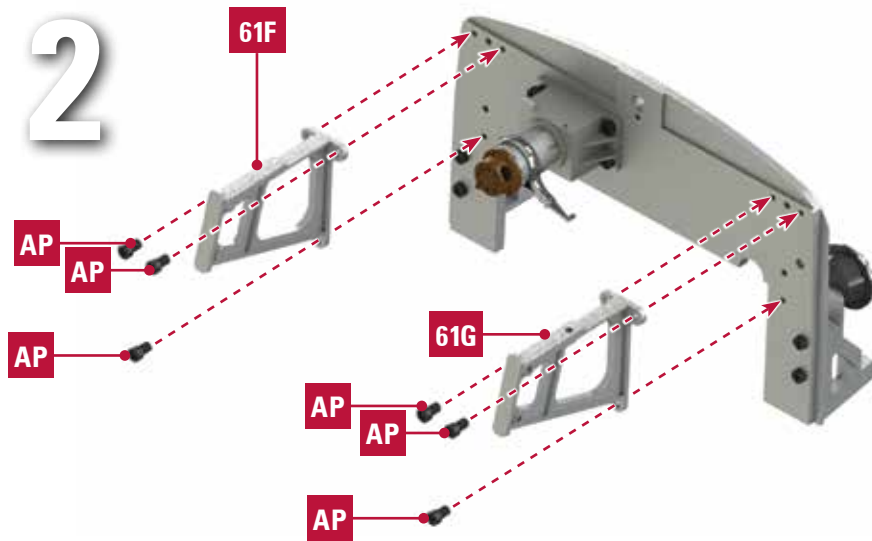
- 61G** Dashboard right bracket
- 61H** Distributor contral rod A
- 61I** Distributor contral rod B
- 61J** Distributor contral rod B bracket
- 61K** Distributor contral rod C

- SCREWS**
- CM** 3 screws
 - AP** 12 screws

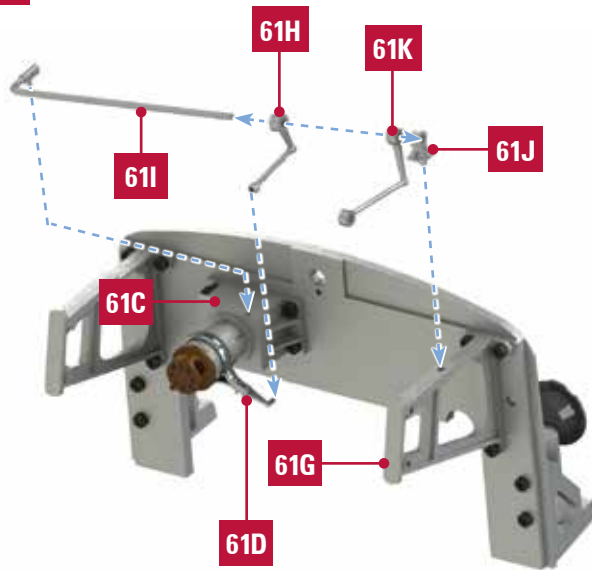
1



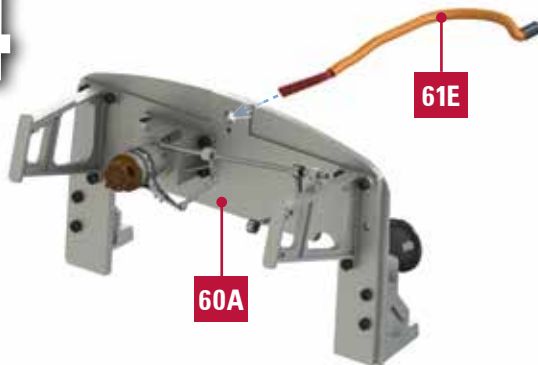
2



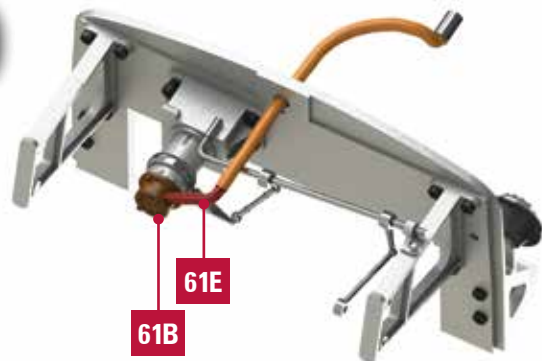
3

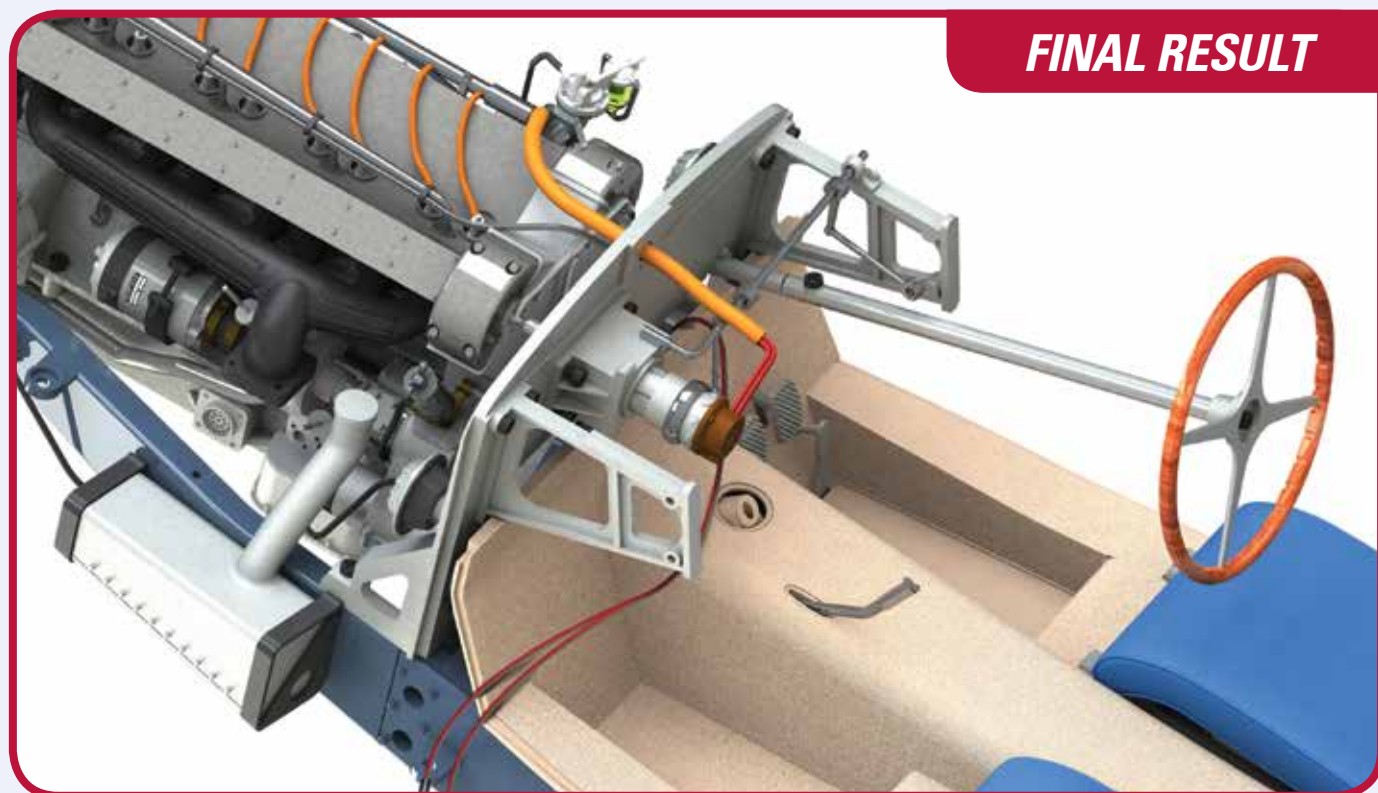
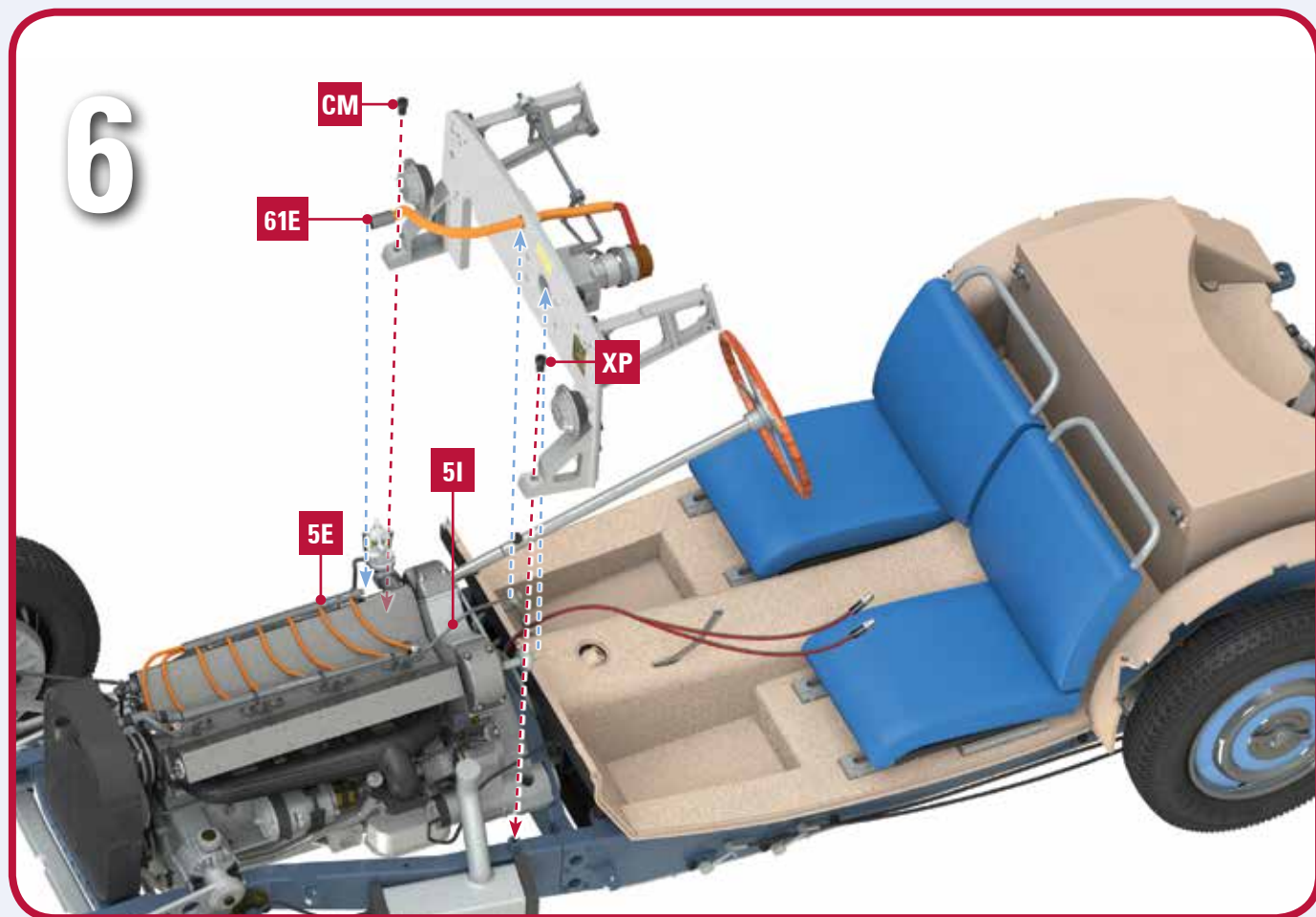


4



5



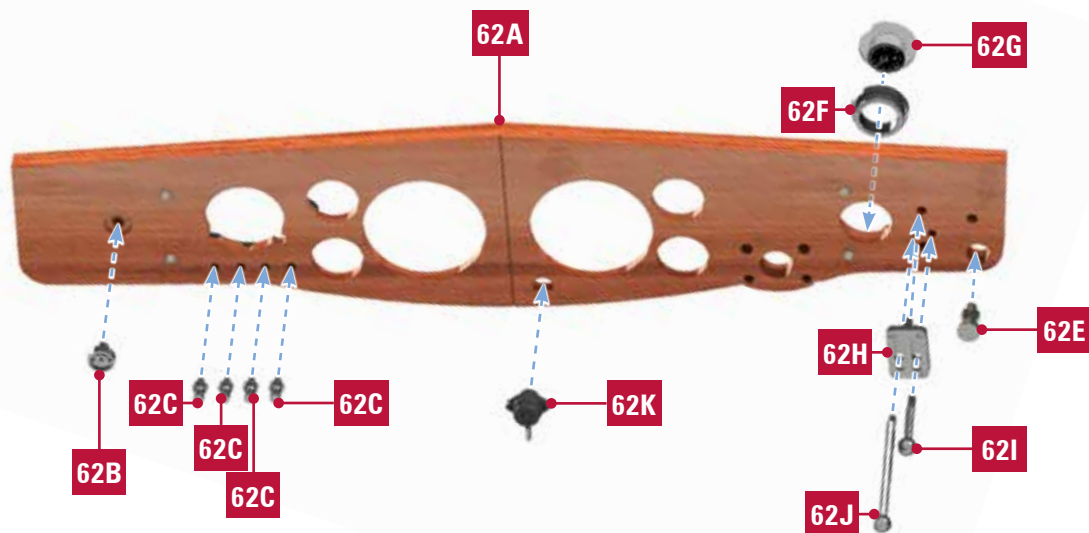


62 PARTS LIST



- 62A** Dashboard
- 62B** Dashboard left pattern /x3
- 62C** Button A (x5)
- 62D** Button B (x2)
- 62E** Button C (x2)
- 62F** Instrument frame
- 62G** Instrument
- 62H** Central rod base
- 62I** Central rod A (x2)
- 62J** Central rod B
- 62K** Control switch (x2)

1



FINAL RESULT



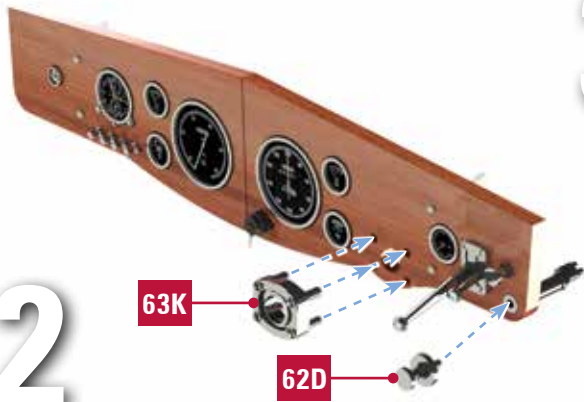
63 PARTS LIST



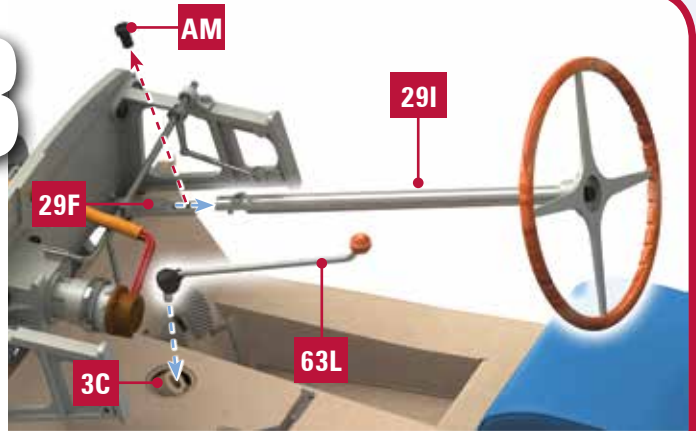
- | | | |
|--------------------------------------|--|-------------------------------------|
| 63A Instrument frame | bracket | 61M Firewall support |
| 63B Instrument | 63H Control rod pump | 61N Control rod pump throats |
| 63C Instrument reflector | 63I Control rod pump throat B tee joint | SCREWS |
| 63D Dashboard left bracket | 63J Steering wheel cap | AM 2 screws |
| 63E Dashboard right bracket | 61K Steering shaft sleeve | SM 5 screws |
| 63F Distributor control rod D | 61L Gear shift lever | SP 8 screws |
| 63G Distributor control rod D | | |



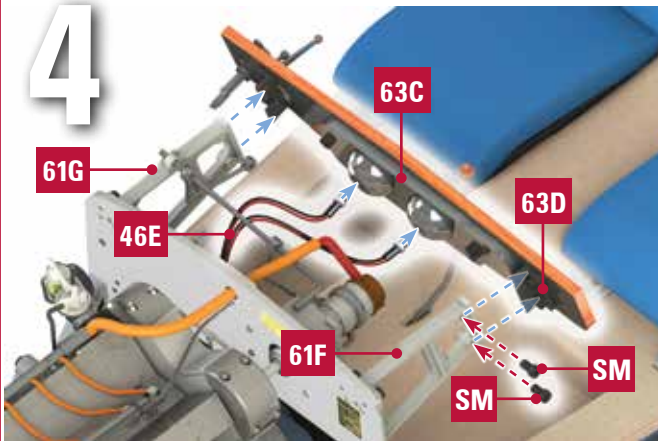
2



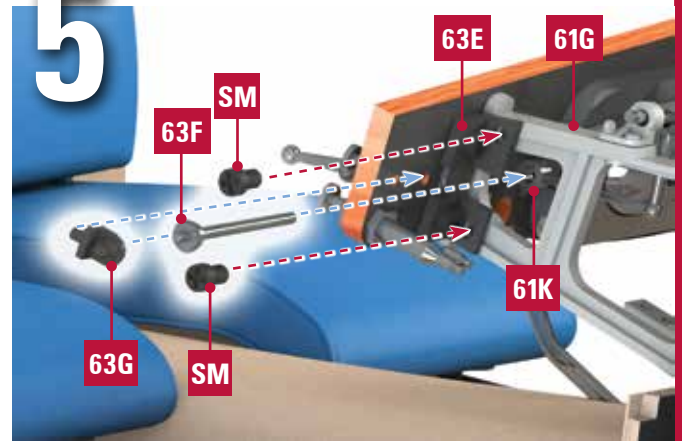
3



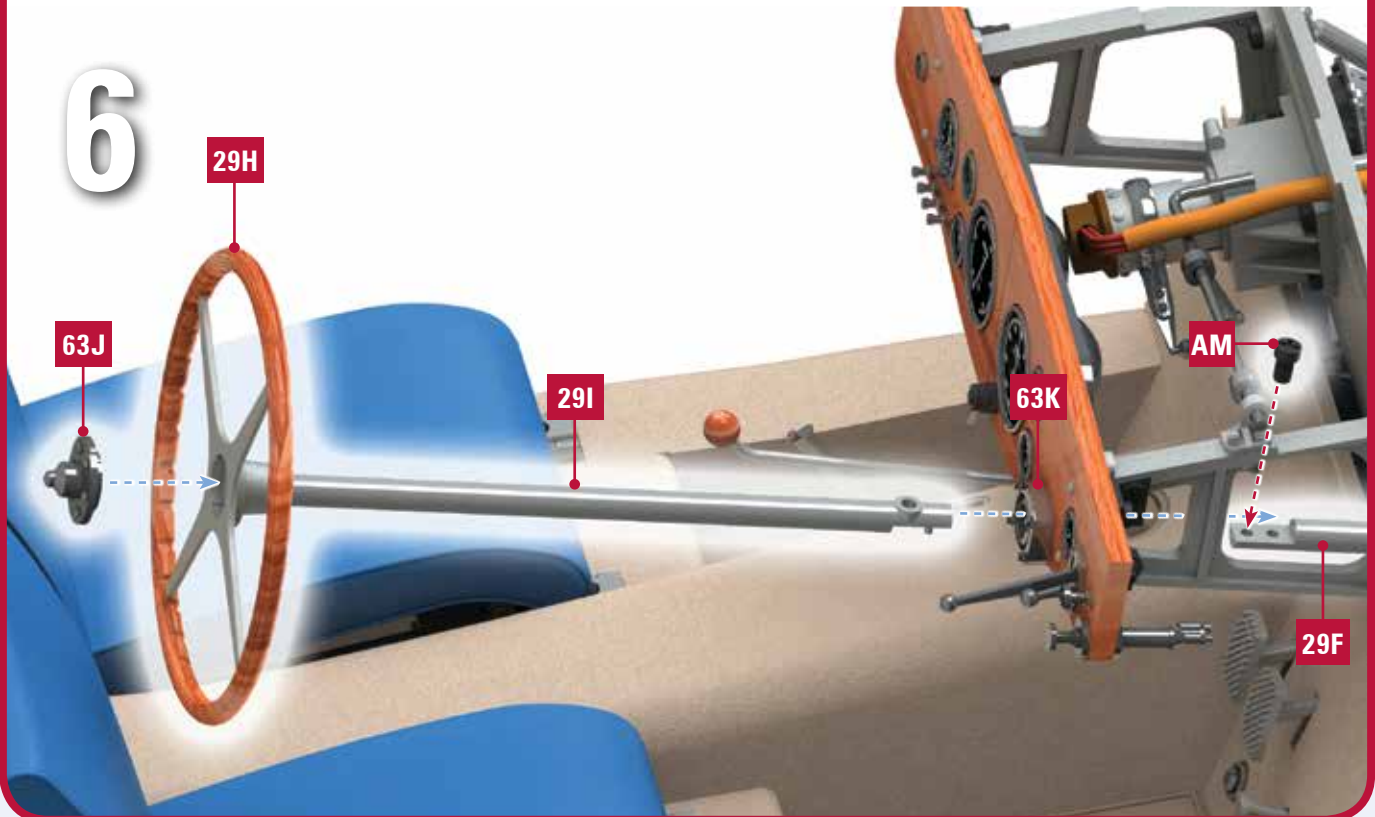
4



5

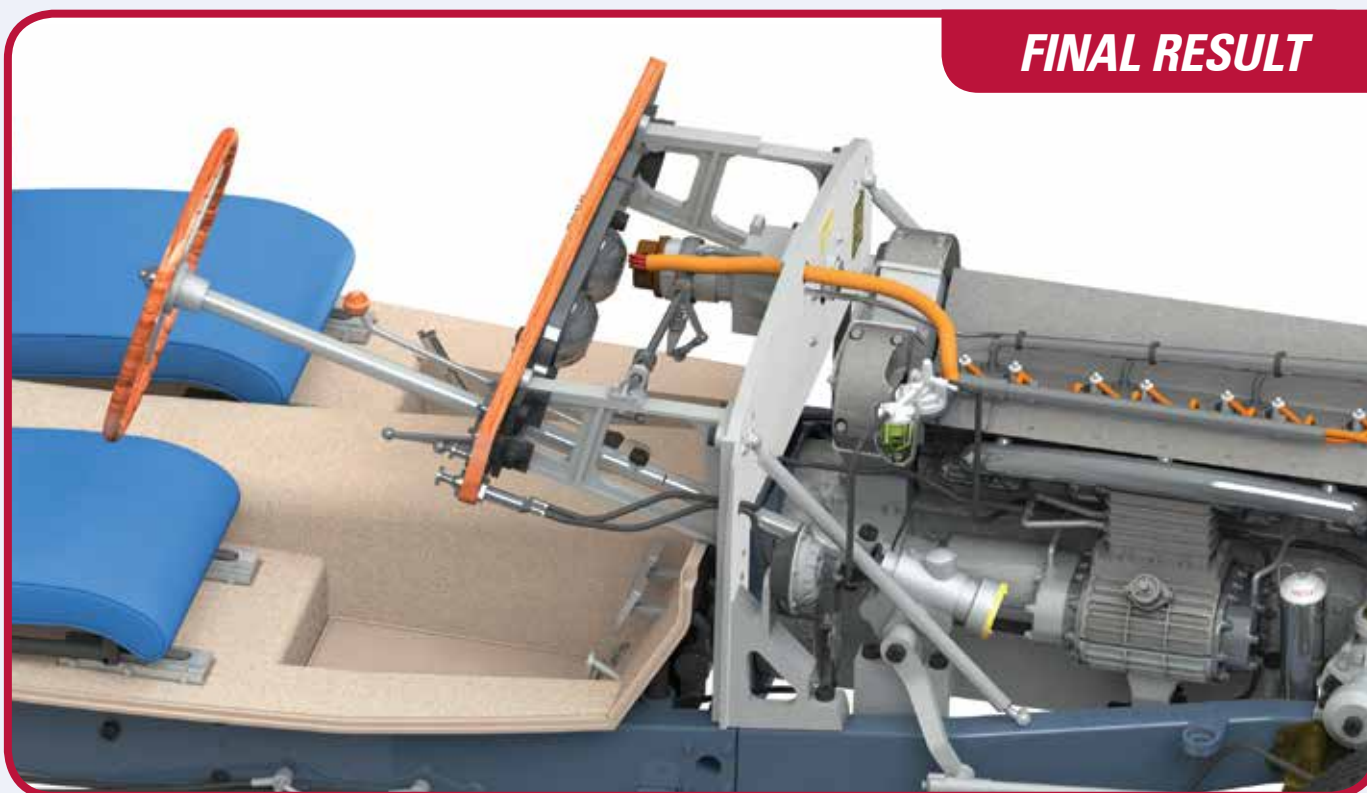
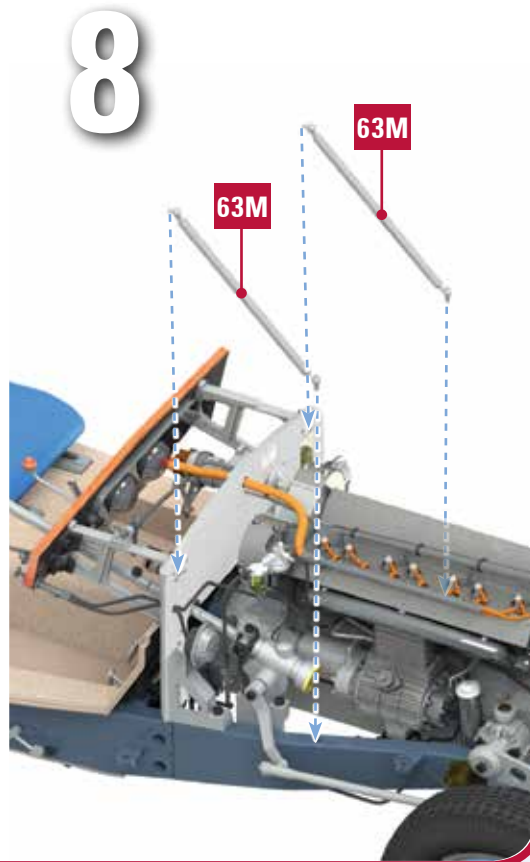
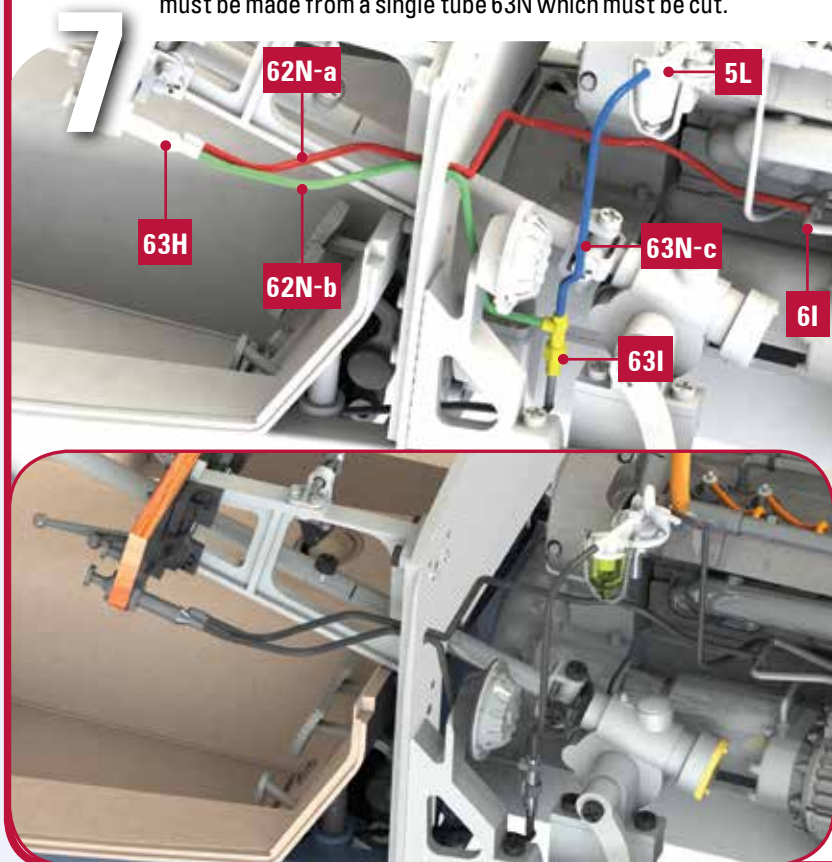


6



step by step 63

Components 63N-a (105 mm long; red in picture), 63N-b (70 mm long; green in picture), 63N-c (45 mm long; blue in picture) must be made from a single tube 63N which must be cut.



64 PARTS LIST



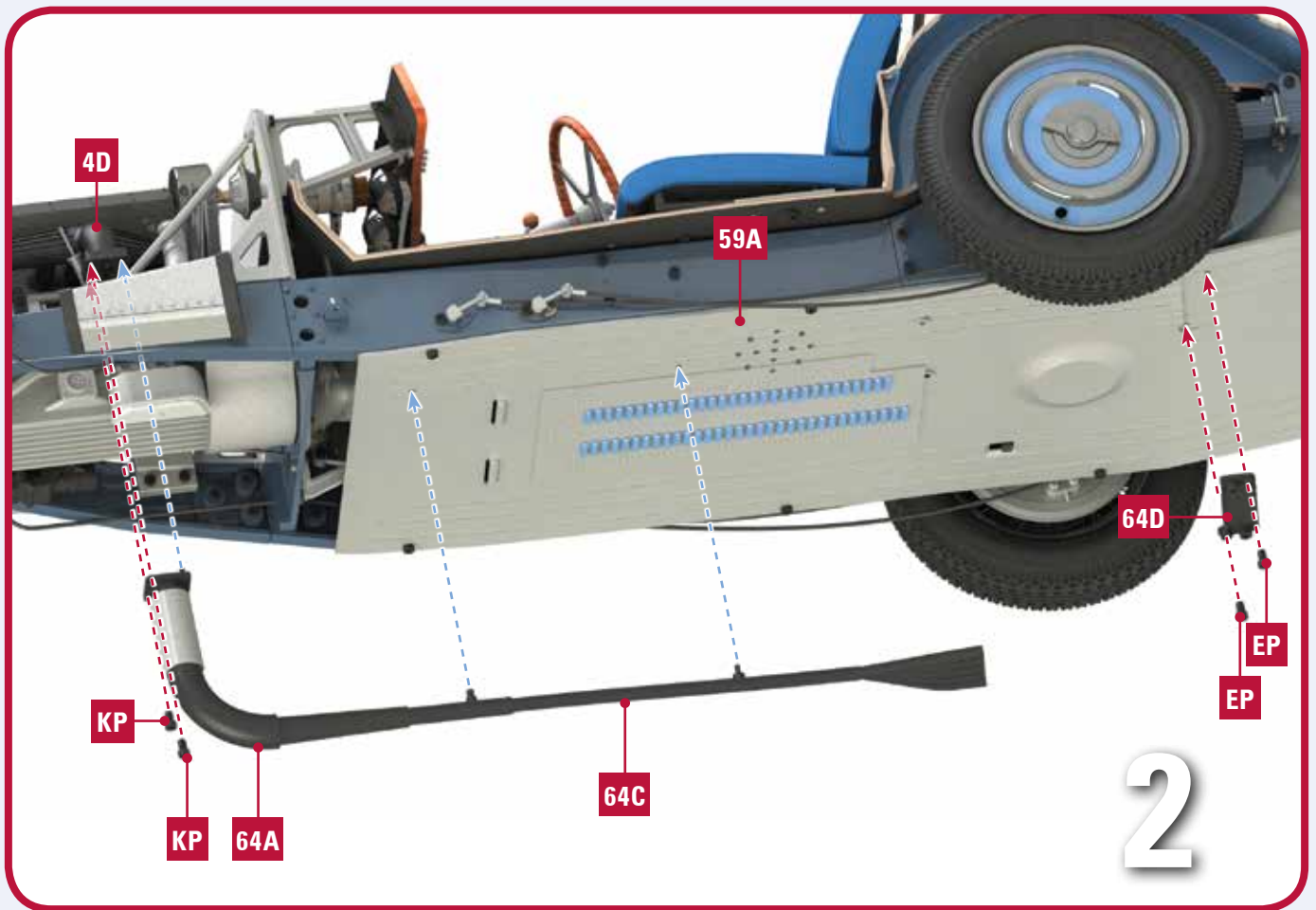
- 64A** Front exhaust pipe
- 64B** Front exhaust pipe separate part
- 64C** Middle exhaust pipe

- 64D** Exhaust pipe end rear lower bracket

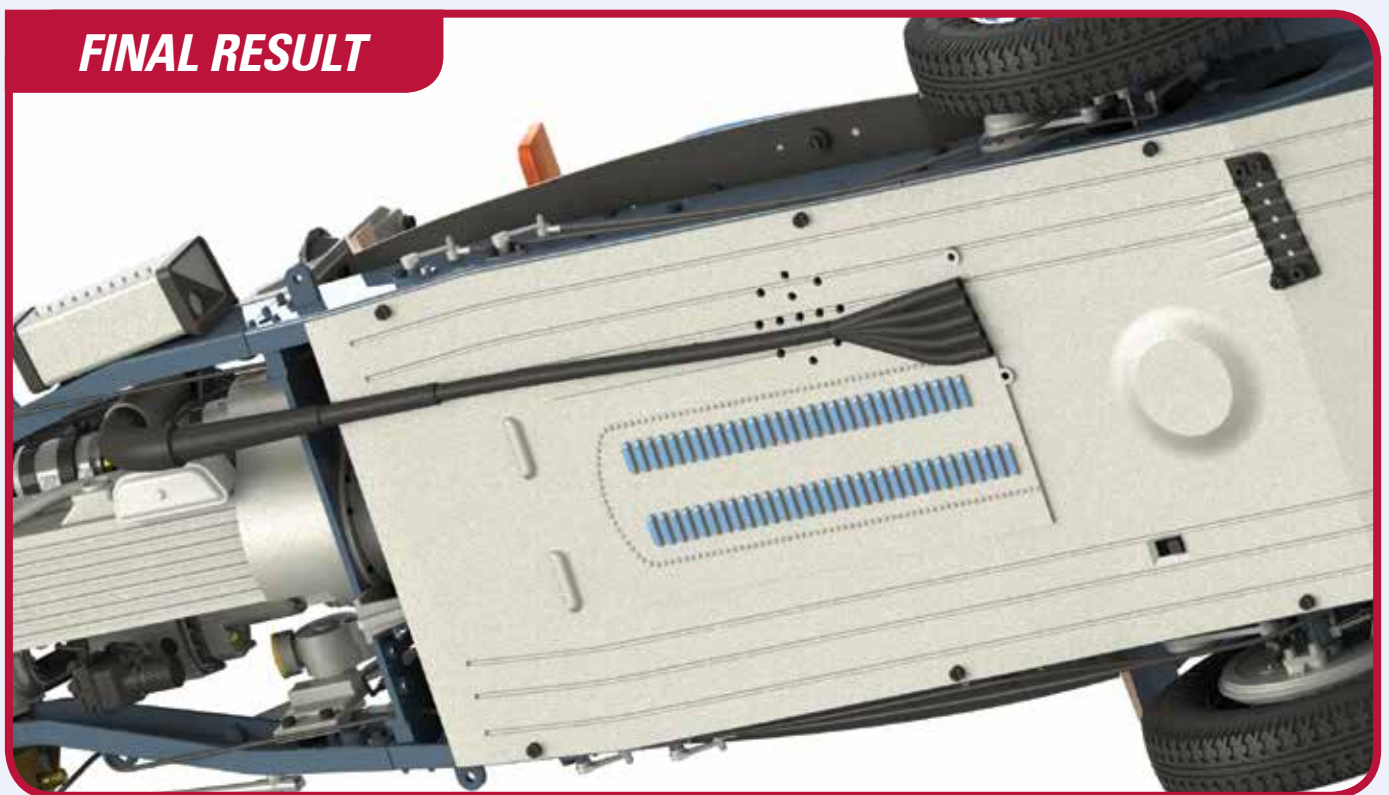
- SCREWS**
- EP** 5 screws
 - KP** 3 screws

1





FINAL RESULT



65 PARTS LIST

65A



65B



65C



65D



65E



65F



65G

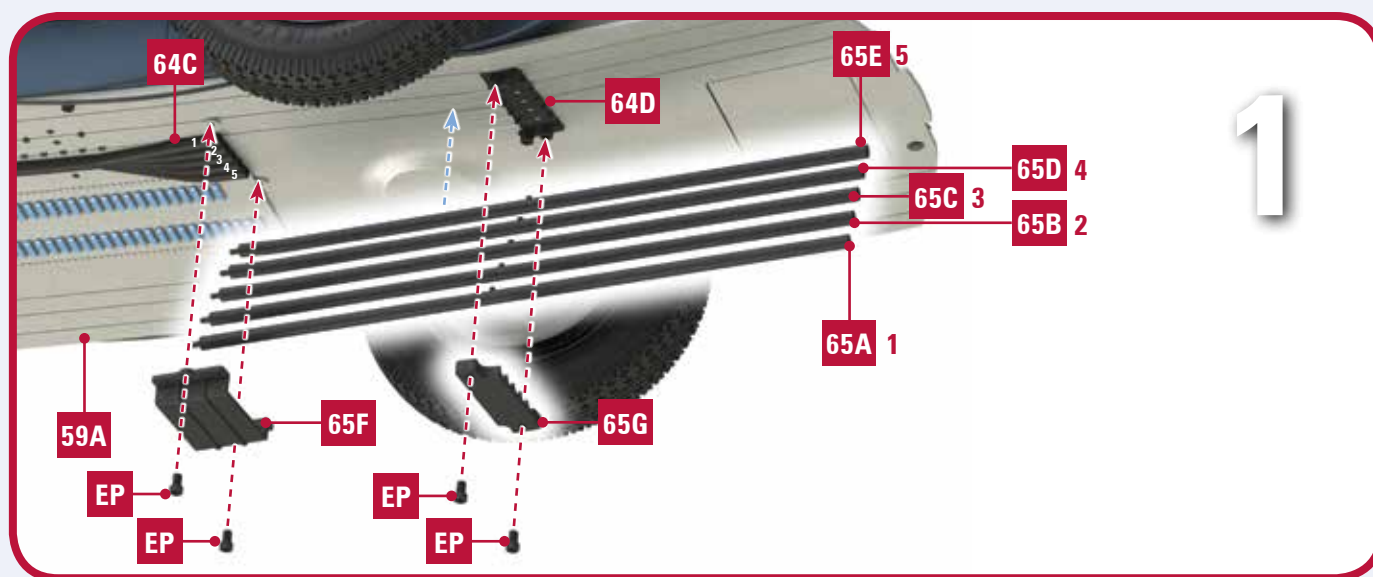


EP (x5)

- 65A** Exhaust pipe end 1
- 65B** Exhaust pipe end 2
- 65C** Exhaust pipe end 3
- 65D** Exhaust pipe end 4
- 65E** Exhaust pipe end 5
- 65F** Exhaust pipe end front bracket
- 65G** Exhaust pipe end rear lower bracket

SCREWS

EP 5 screws



FINAL RESULT



66 PARTS LIST

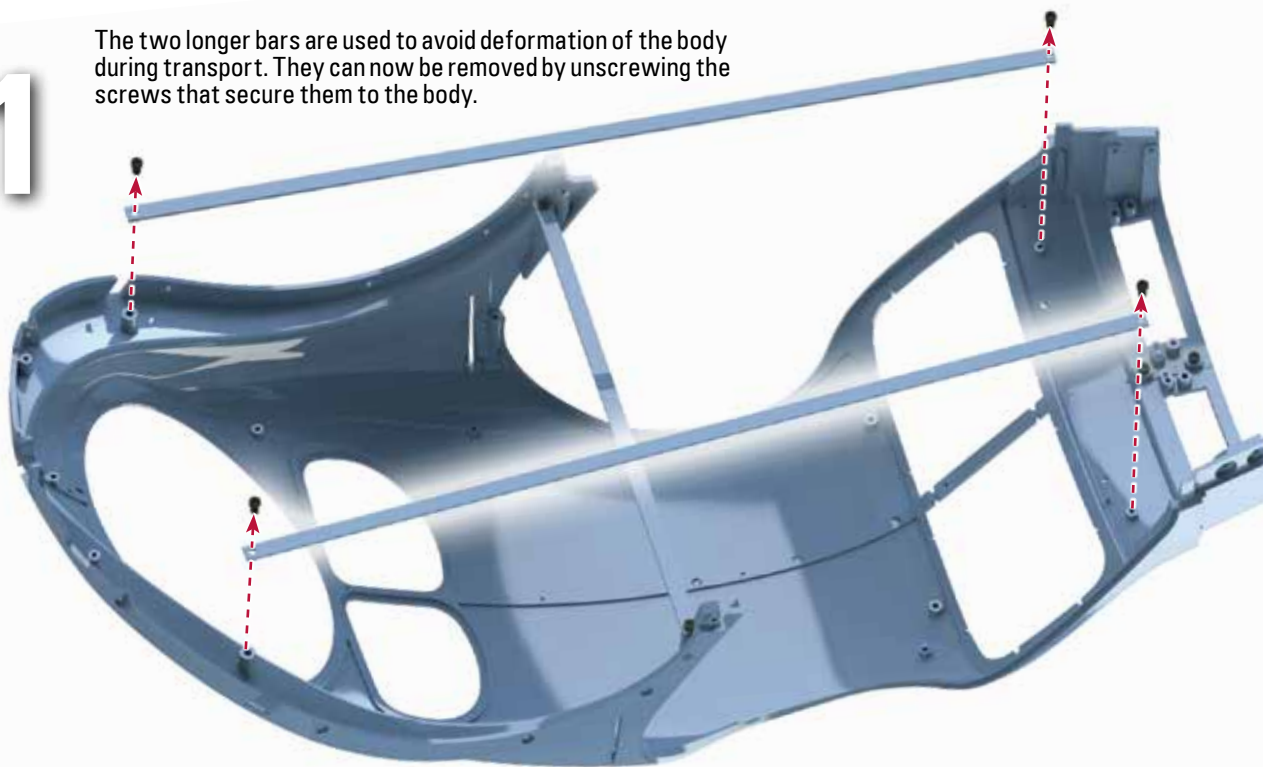


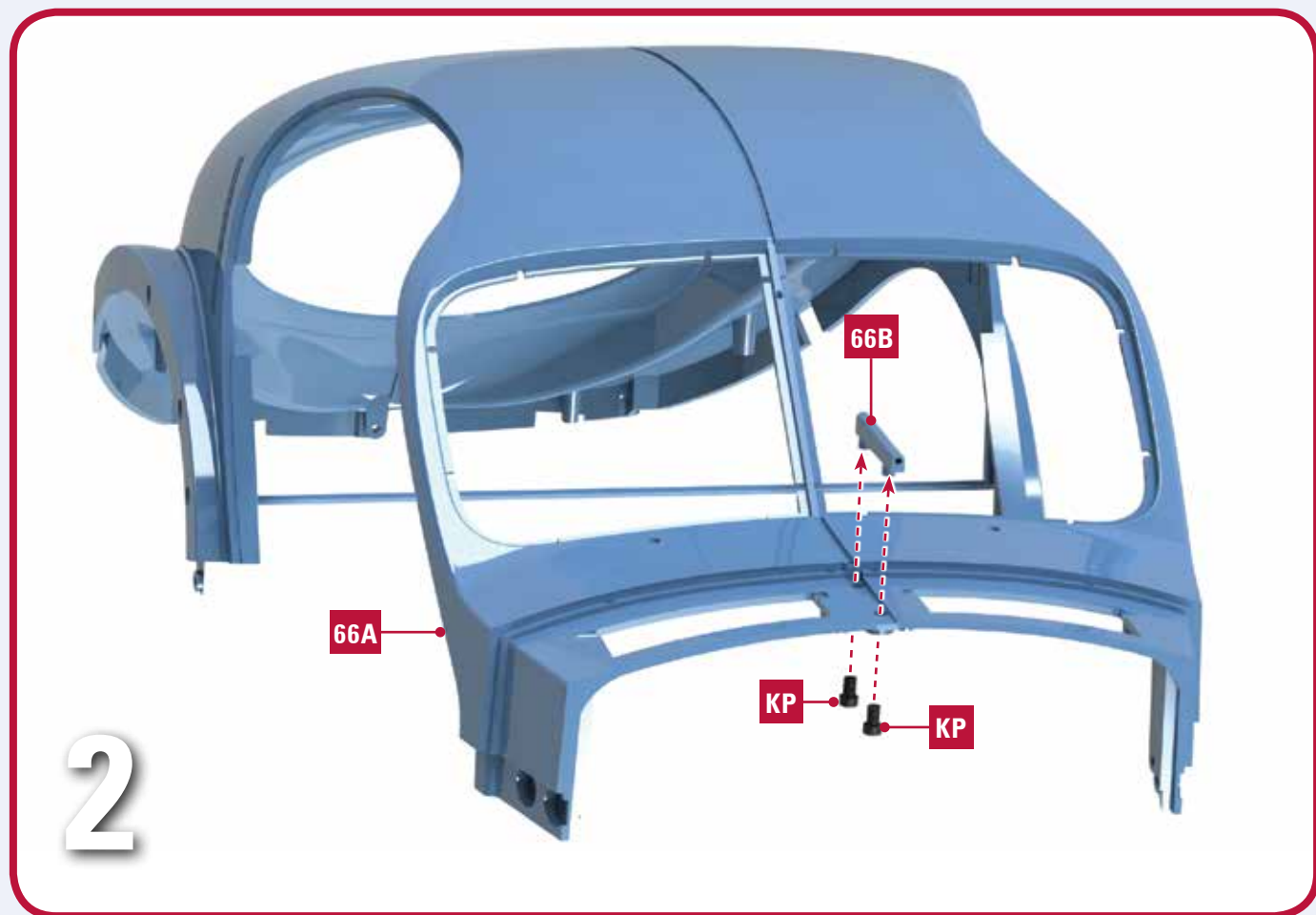
66A Body
66B Hood hinge rear bracket

SCREWS
KP 3 screws

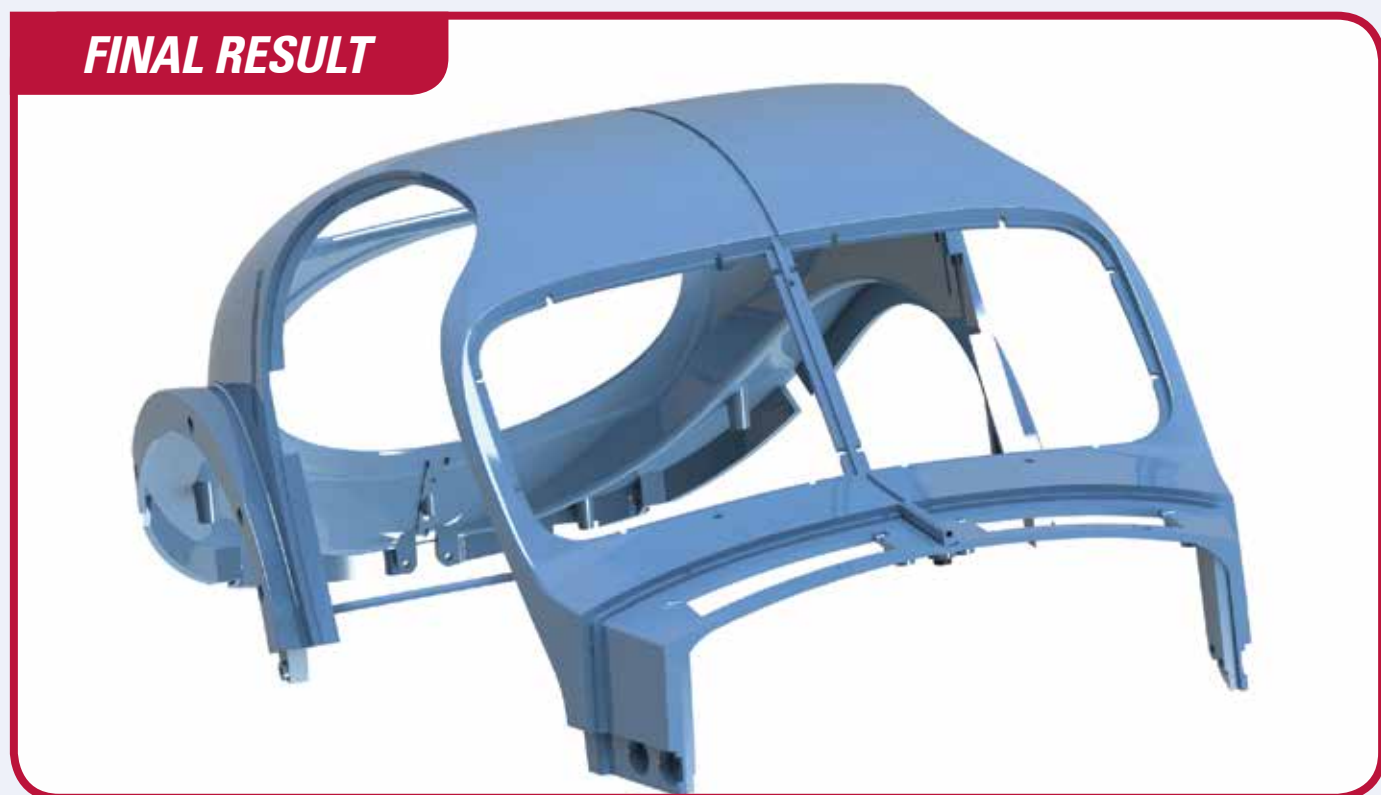
1

The two longer bars are used to avoid deformation of the body during transport. They can now be removed by unscrewing the screws that secure them to the body.

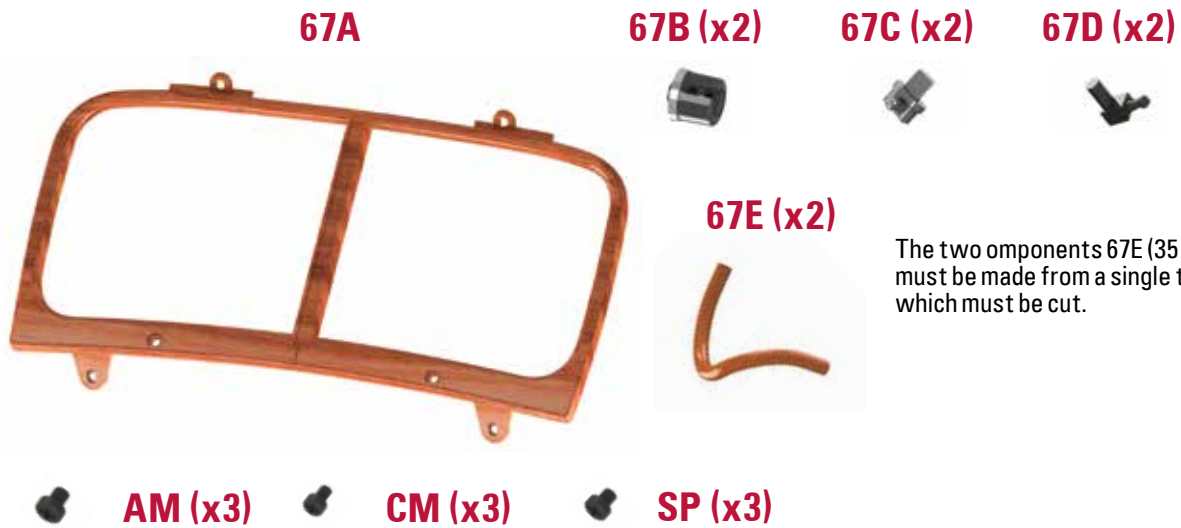




FINAL RESULT



67 PARTS LIST



The two components 67E (35 mm long) must be made from a single tube which must be cut.

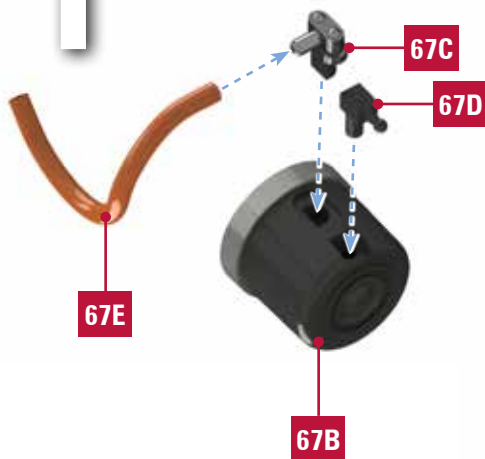
67A Windshield inner frame
67B Wiper motor (x2)
67C Wiper motor wire connector (x2)

67D Wiper motor separate part (x2)
67E Wiper motor wire (x2)

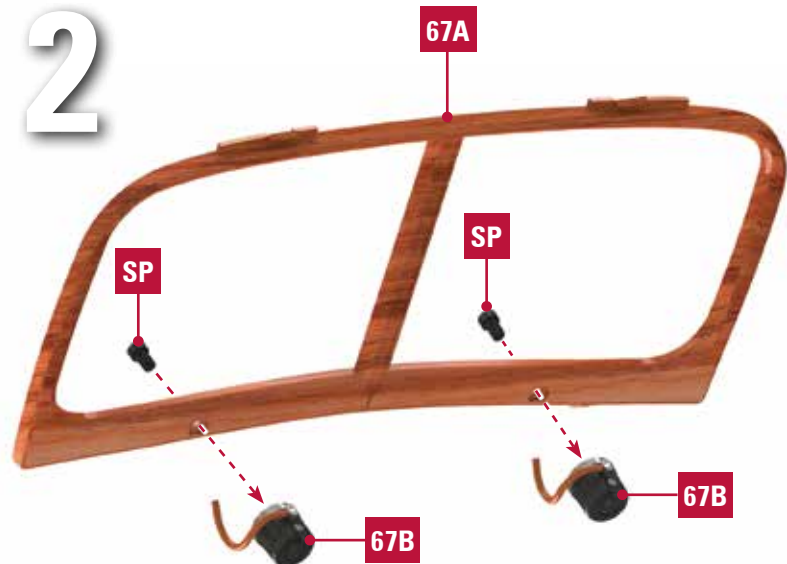
SCREWS
AM 3 screws
CM 3 screws
SP 3 screws

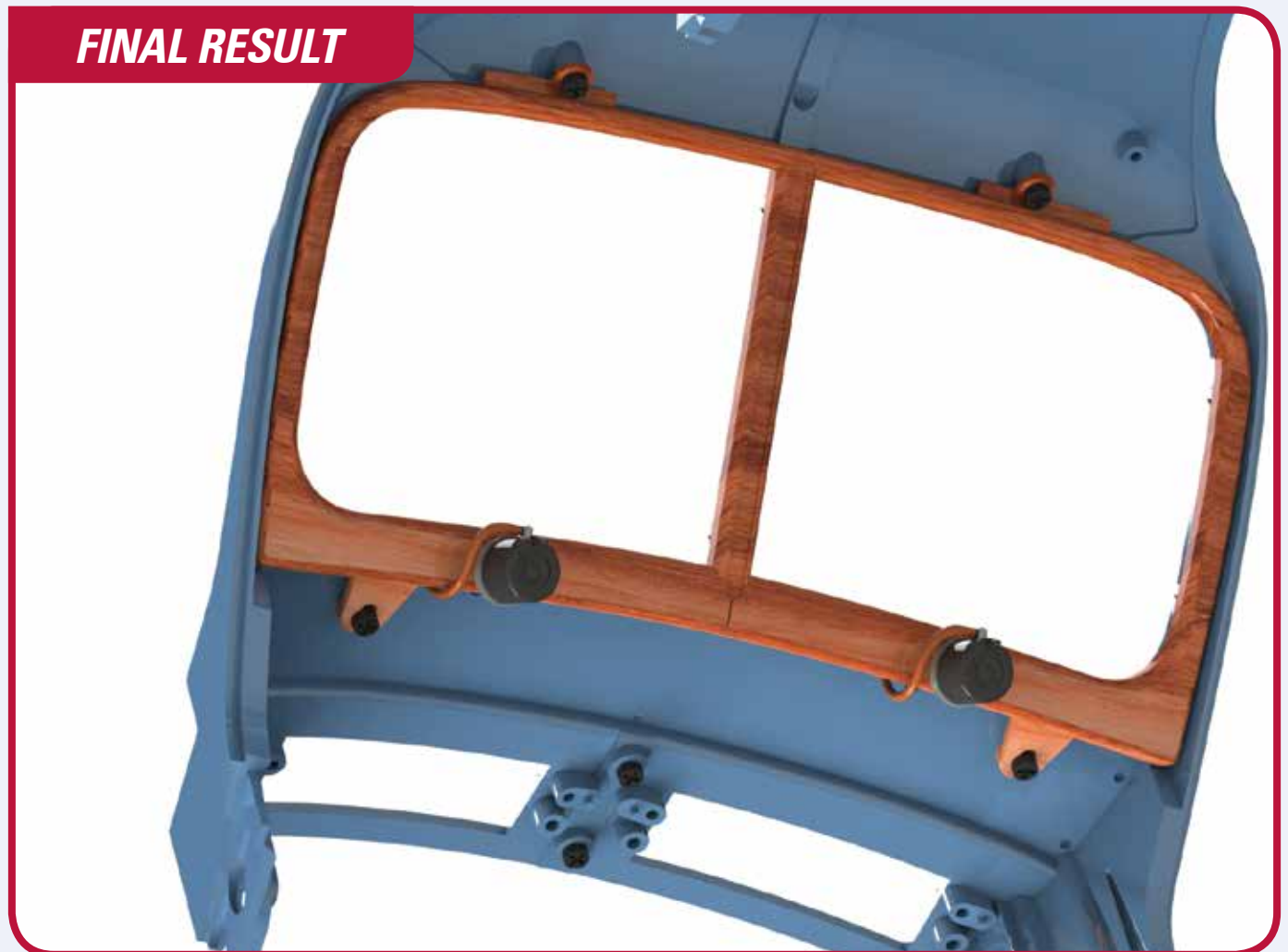
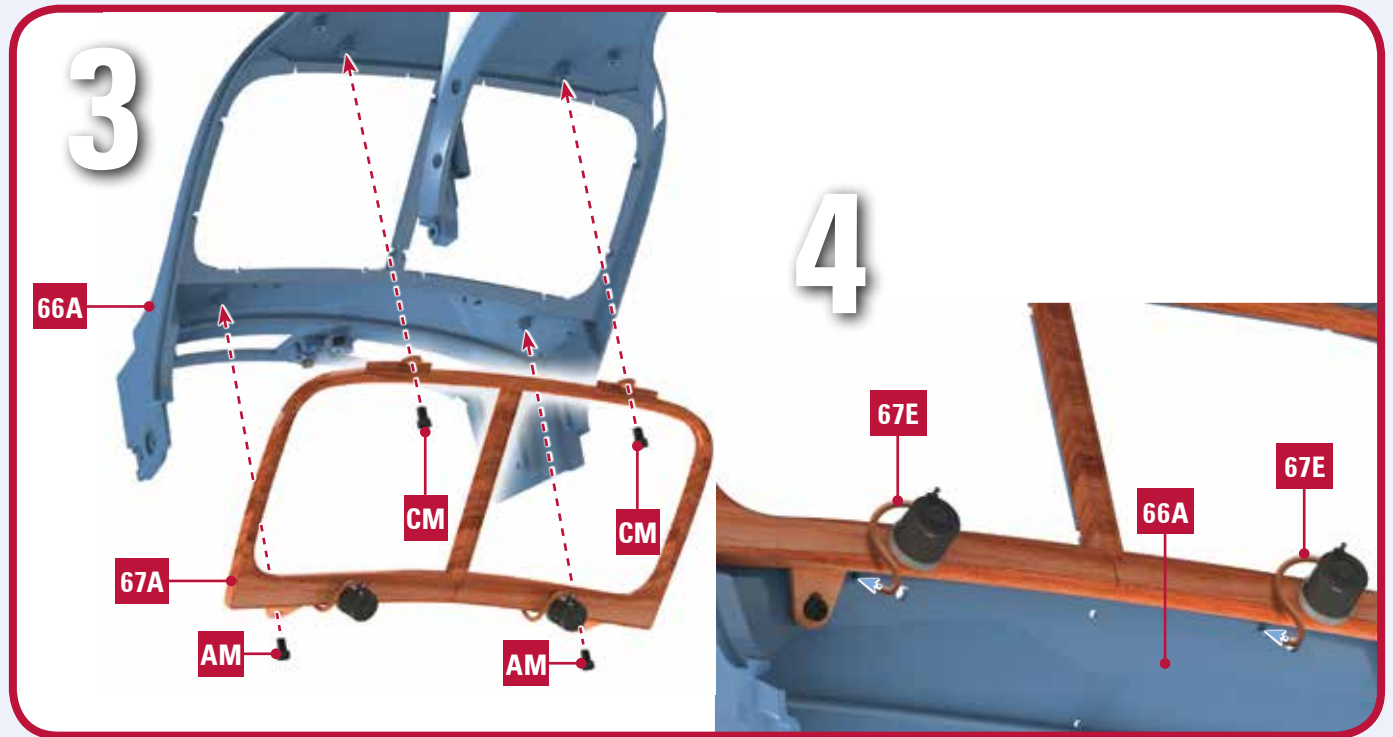
1

Step 1 must be done twice.



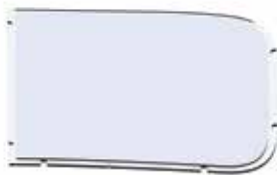
2





68 PARTS LIST

68A



68B



68C



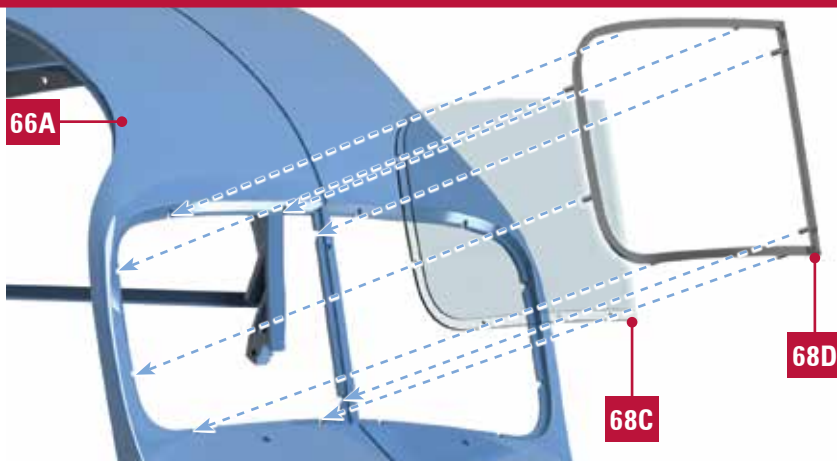
68D



- 68A** Left windshield
- 68B** Left windshield frame
- 68C** Right windshield
- 68D** Right windshield frame

1

After installing the right side of the windshield, mount the left side in the same way.



FINAL RESULT



69 PARTS LIST

69A



69B



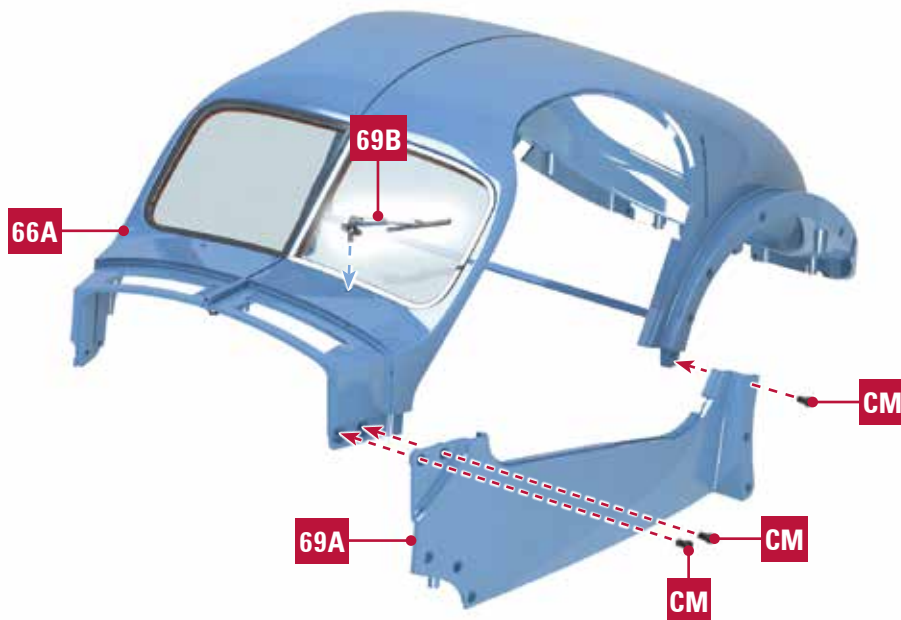
CM (x4)



- 69A** Left skirt
- 69B** Left wiper

- SCREWS**
CM 4 screws

1

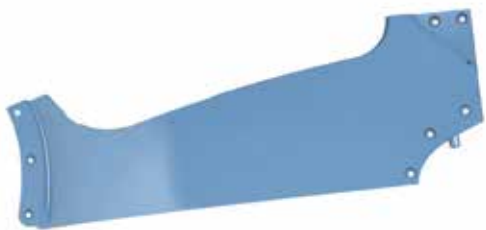


FINAL RESULT



70 PARTS LIST

70A



70B



70A Right skirt
70B Right wiper

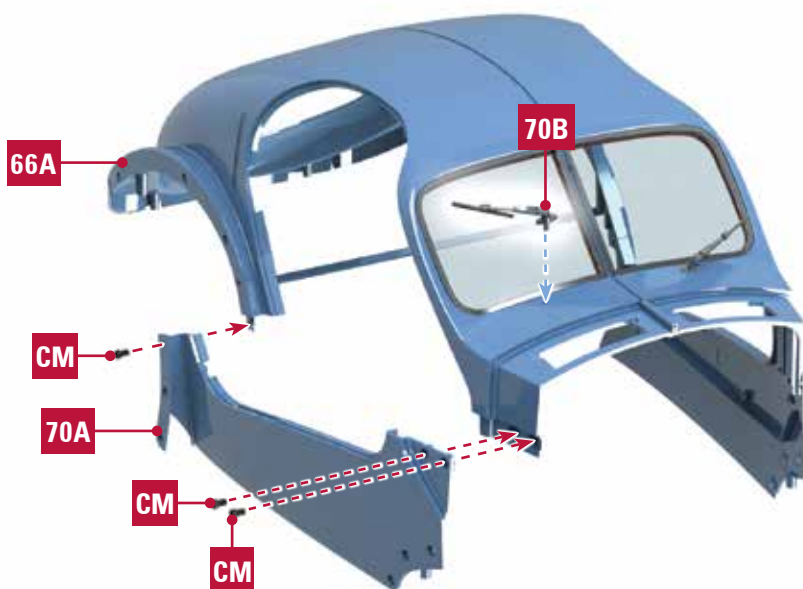
SCREWS

CM 4 screws



CM (x4)

1



FINAL RESULT



71 PARTS LIST

71A

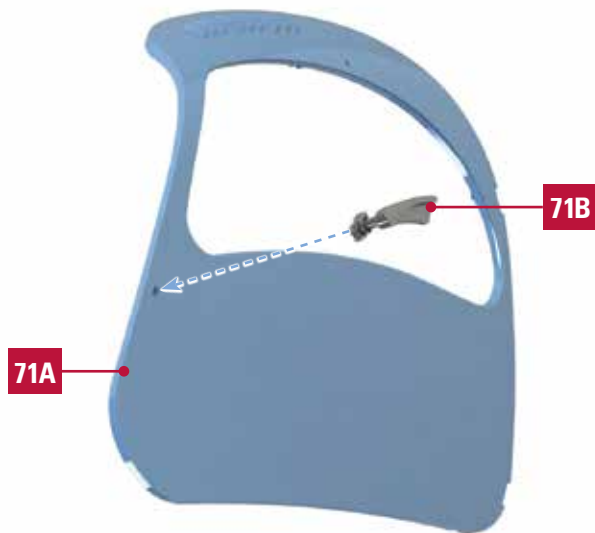


71B



71A Left door
71B Left doorknob

1



72 PARTS LIST

72A

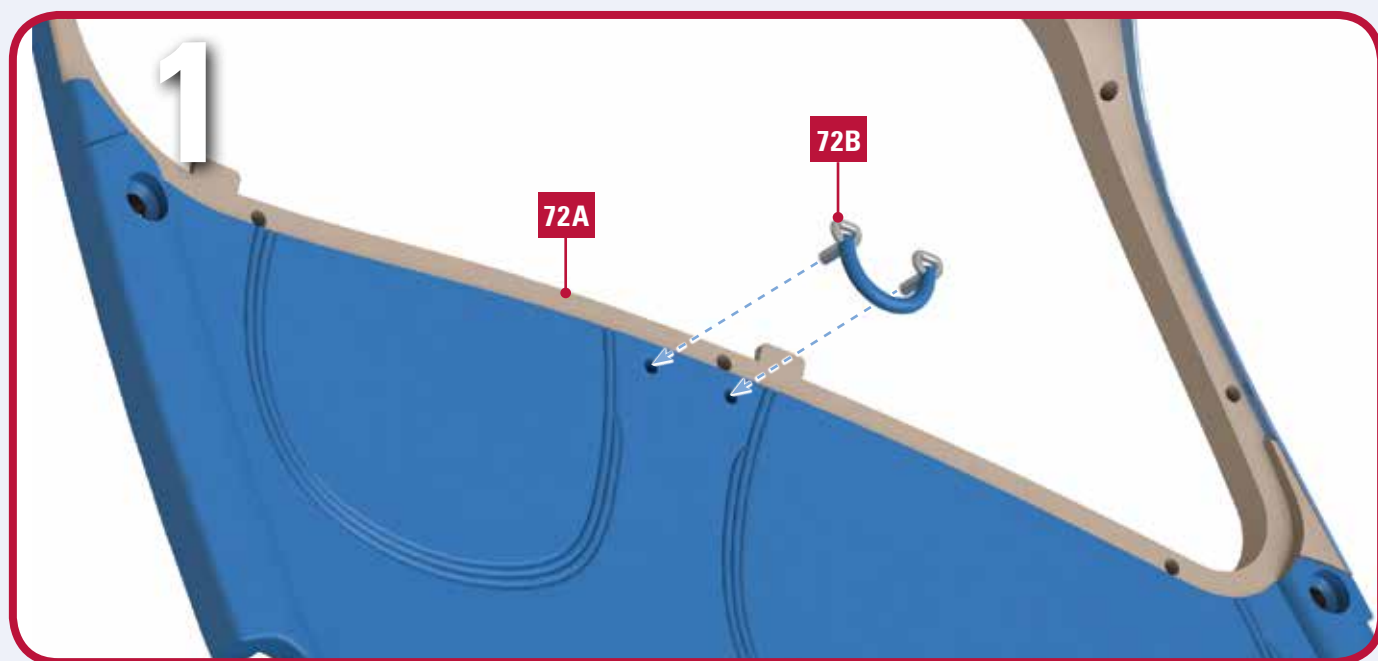


72B



72A Left inner door panel

72B Left door armrest



FINAL RESULT



73 PARTS LIST

73A



73B



73C



- 73A** Left lower hinge
- 73B** Left upper hinge
- 73C** Left door window frame

1



FINAL RESULT



74 PARTS LIST

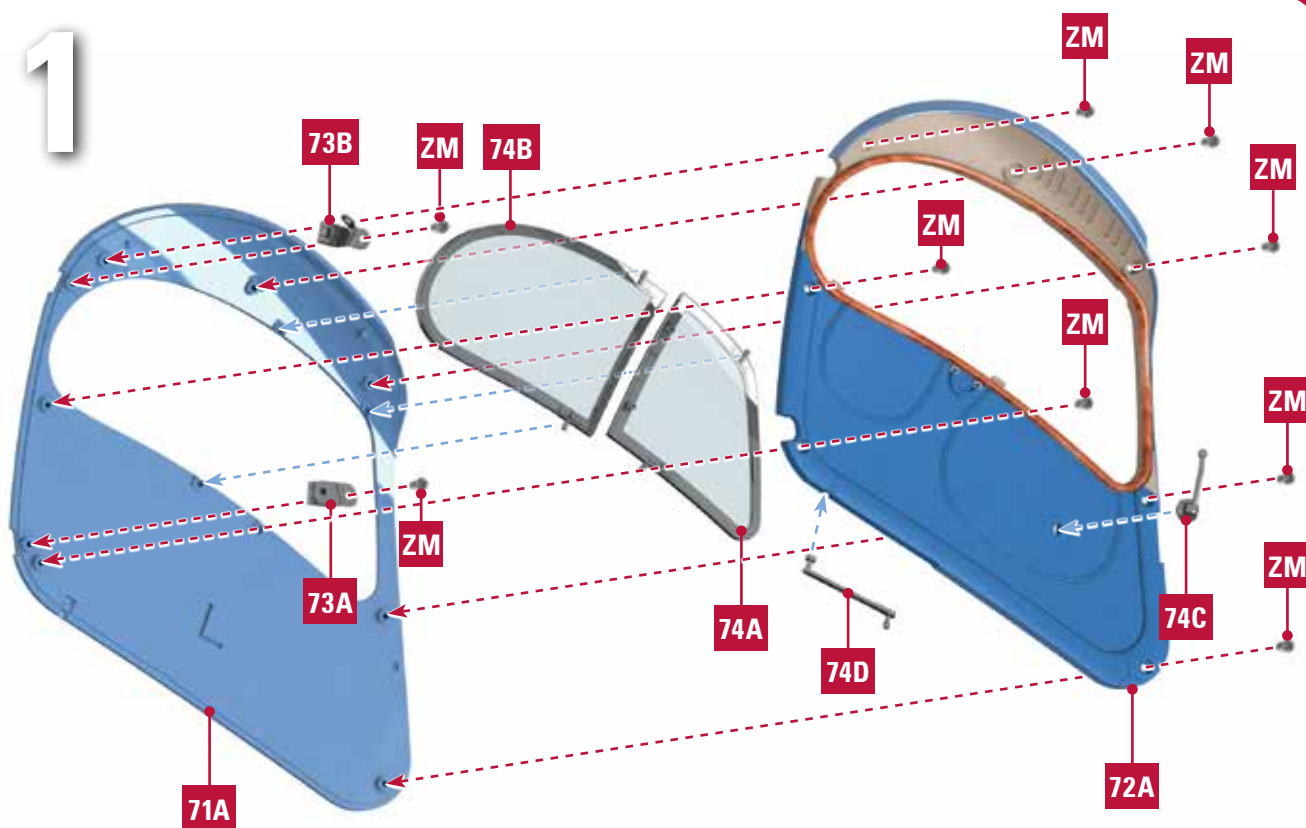


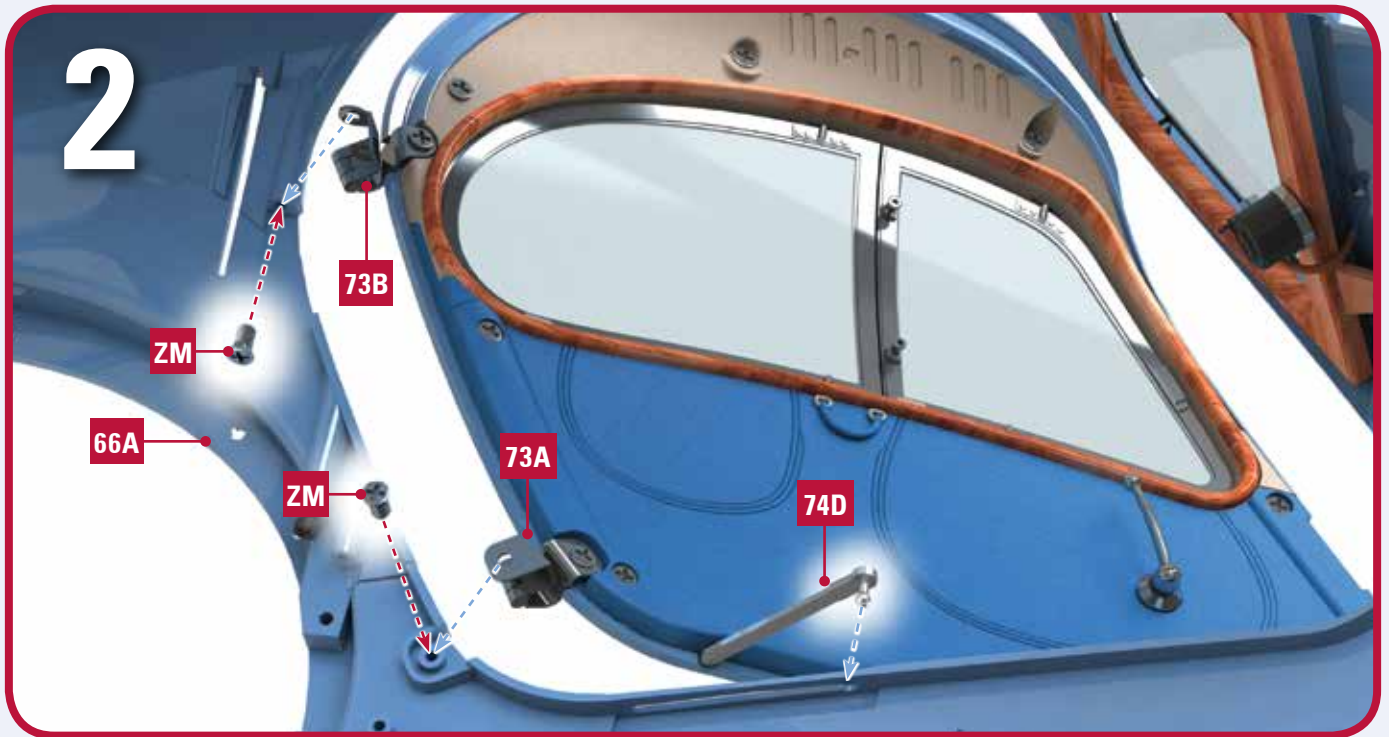
74A Left door front window
74B Front window handle

74C Left door rear window
74D Door stopper

SCREWS
ZM 13 screws

1



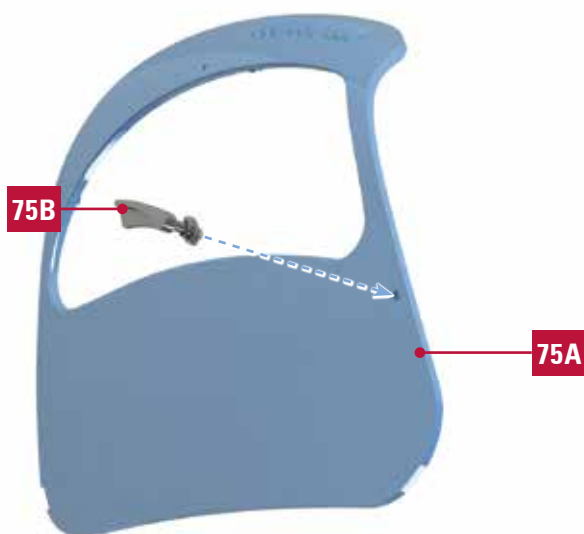


75 PARTS LIST



- 75A Right door
- 75B Right doorknob

1



76 PARTS LIST

76A

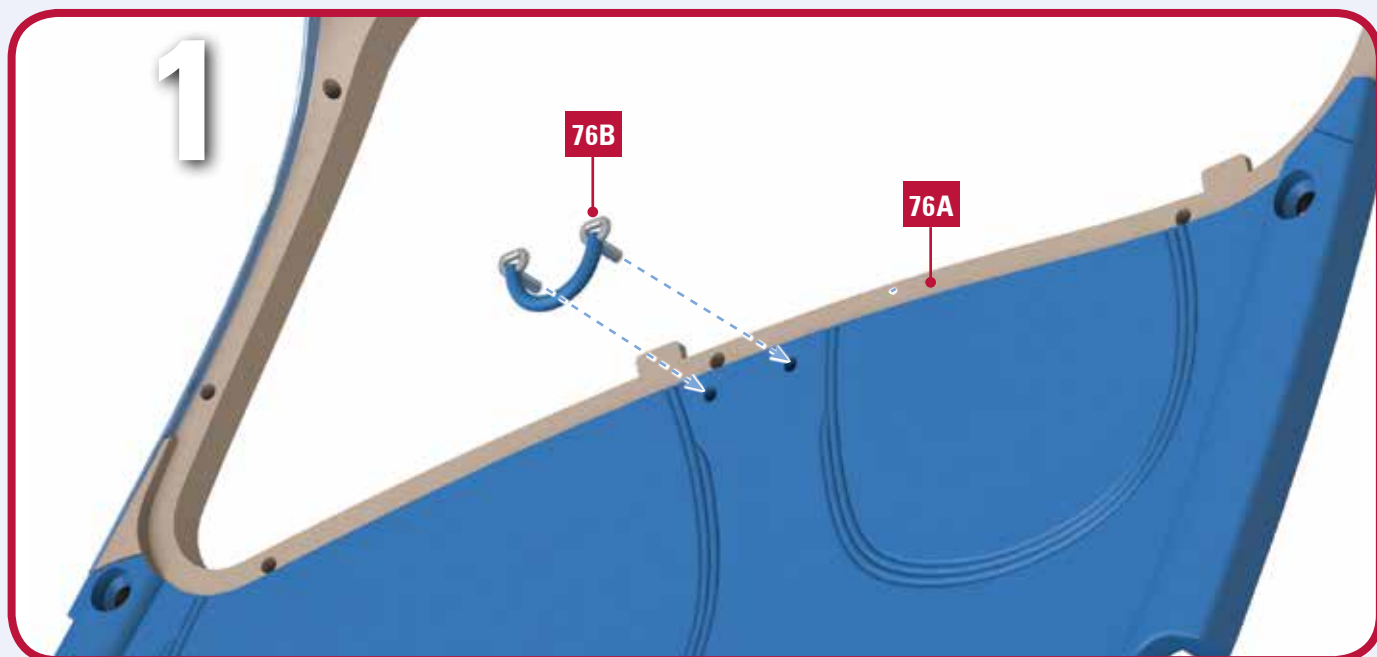


76B

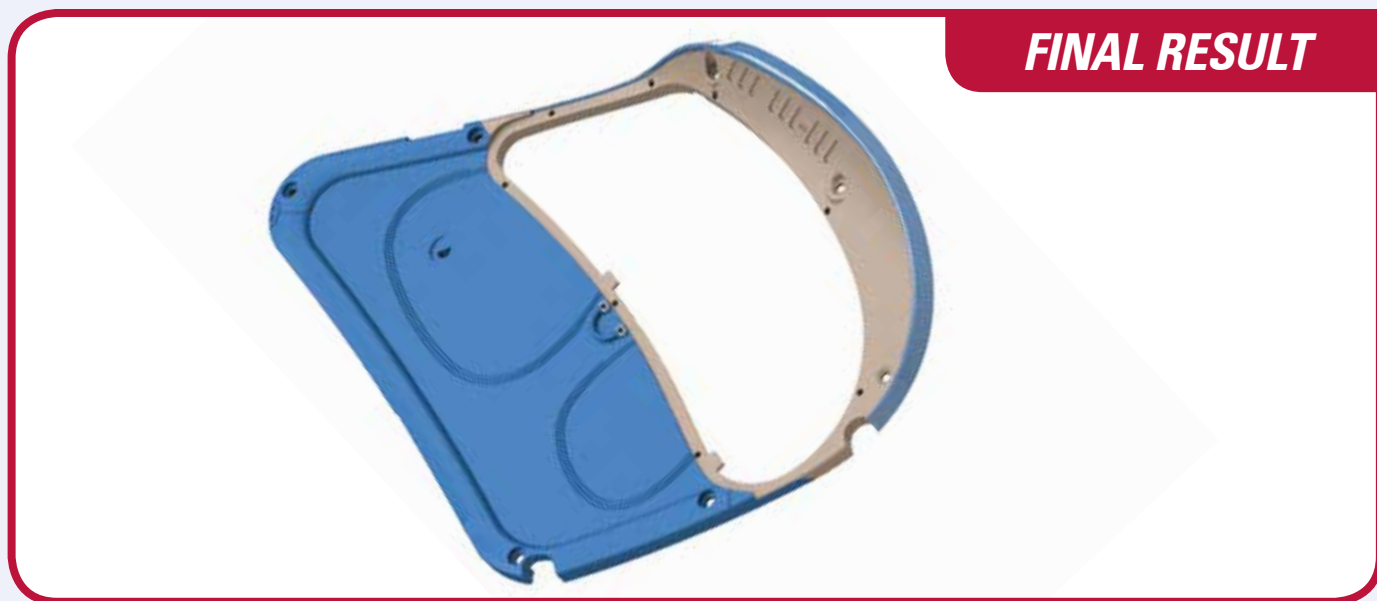


76A Right inner door panel
76B Right door armrest

1



FINAL RESULT



77 PARTS LIST

77A



77C

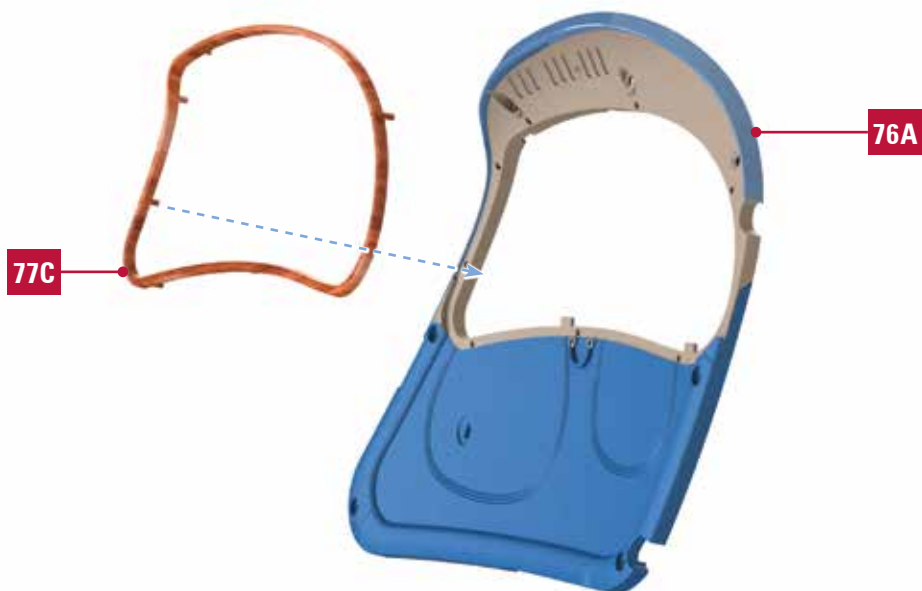


77A Right lower hinge
77B Right upper hinge
77C Right door window frame

77B



1



FINAL RESULT



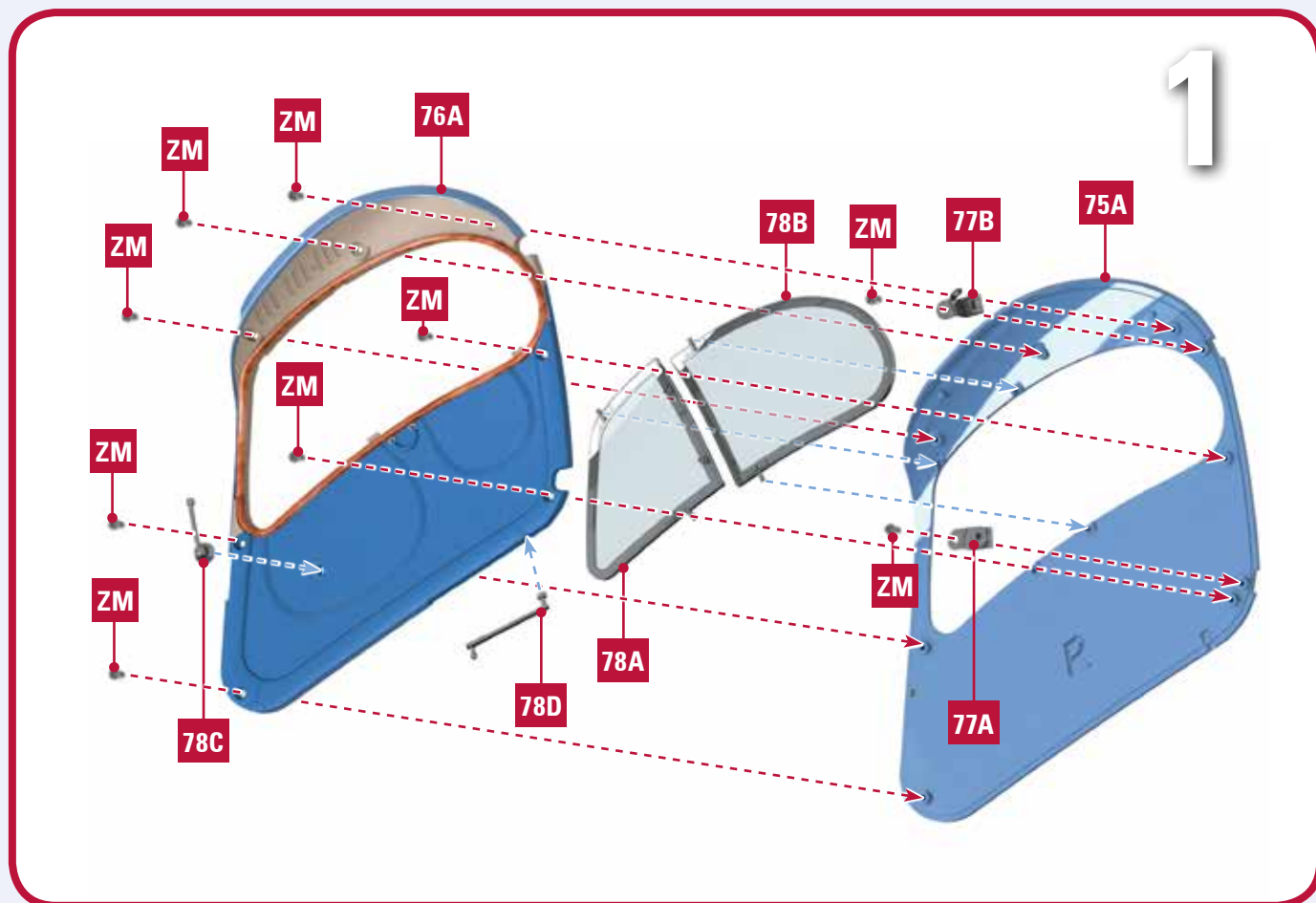
78 PARTS LIST



78A Right door front window
78B Front window handle

78C Right door rear window
78D Door stopper

SCREWS
ZM 13 screws





79 PARTS LIST

79A



79B



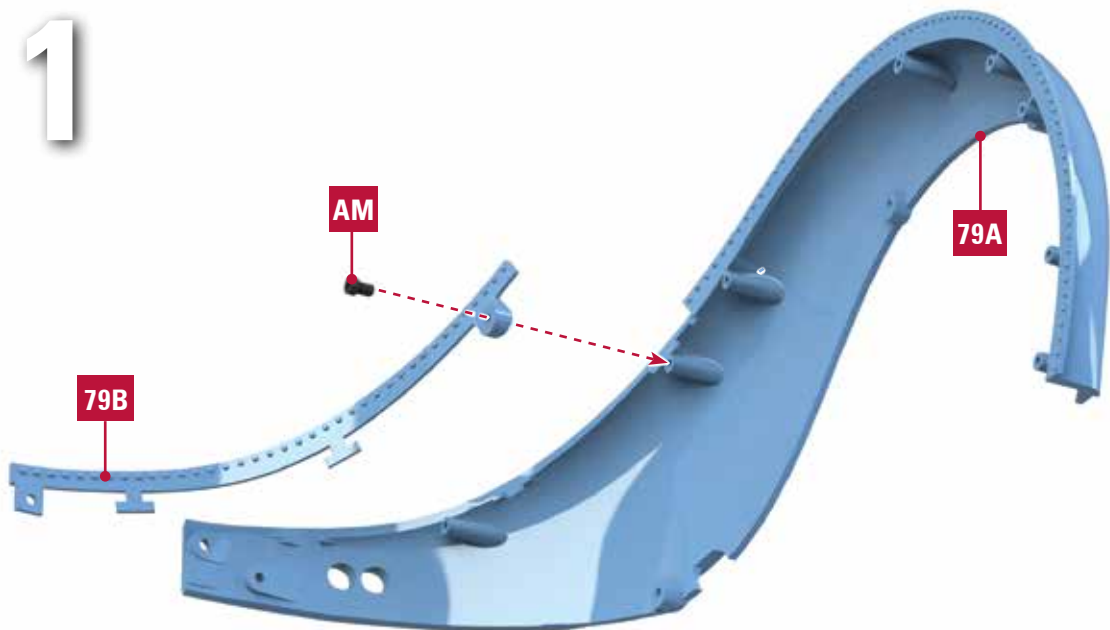
- 79A** Left rear fender
- 79B** Left rear fender ribs

SCREWS

- AM** 2 screws

AM (x2)

1

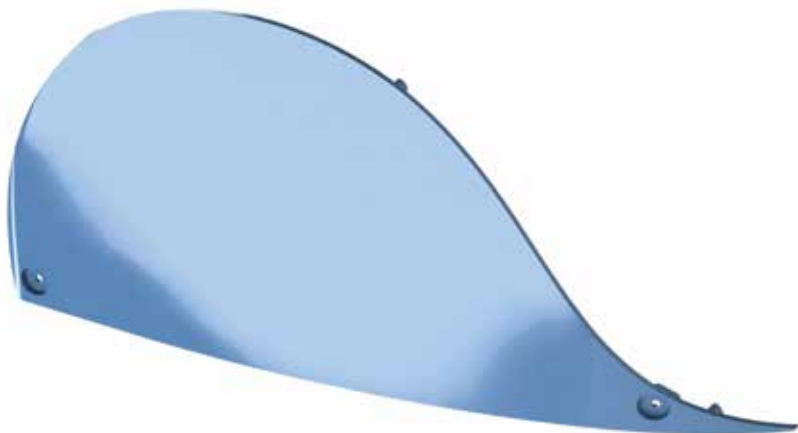


FINAL RESULT



80 PARTS LIST

80A



80B



CM (x7)

SM (x9)

80A Left rear fender

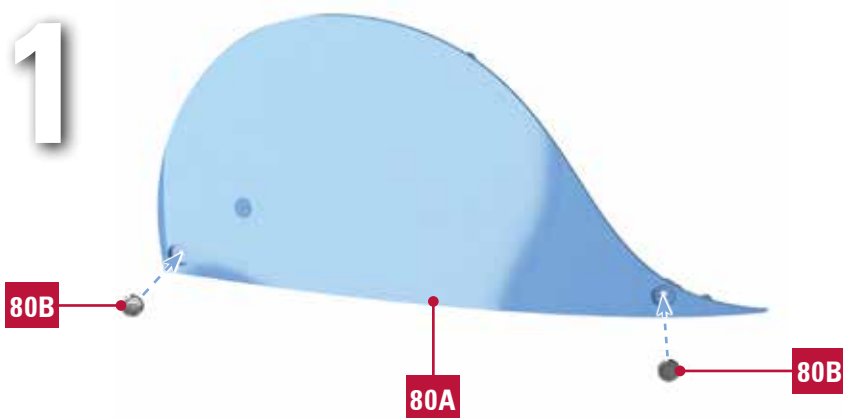
80B Rear fender cover detail (x2)

SCREWS

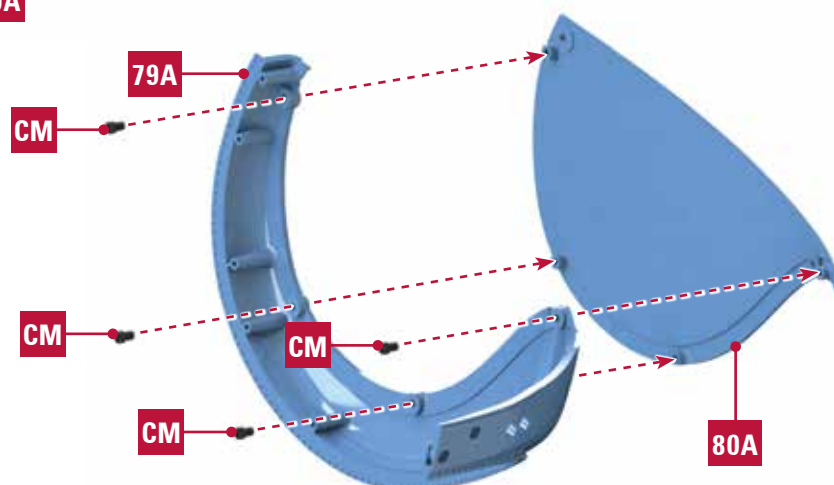
CM 7 screws

SM 9 screws

1



2



81 PARTS LIST

81A



81B



AM (x2)

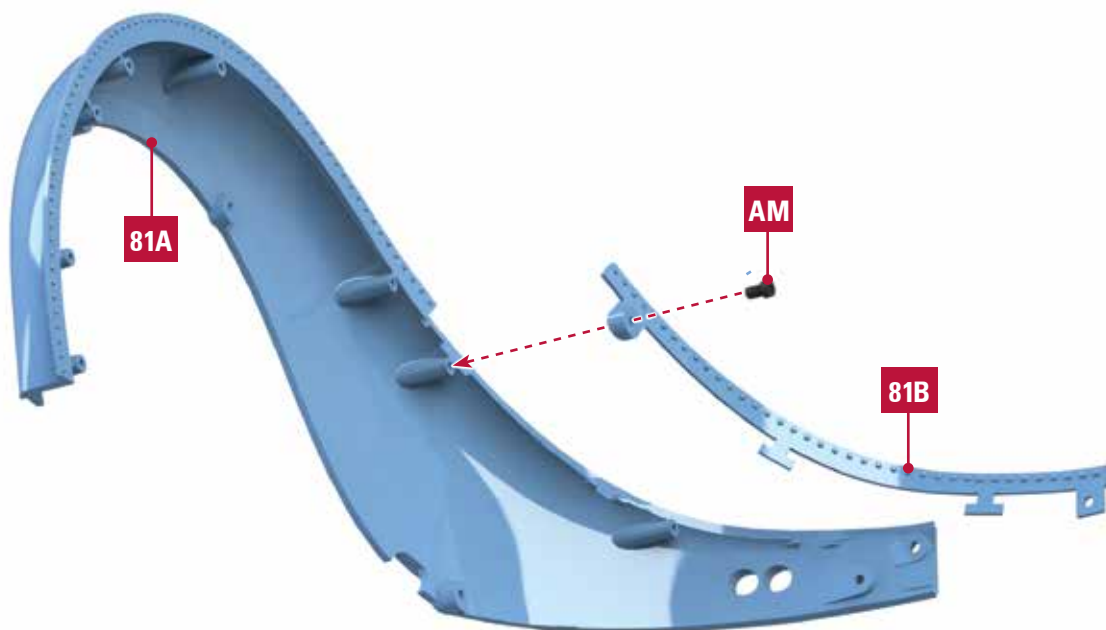


- 81A** Right rear fender
- 81B** Right rear fender ribs

SCREWS

- AM** 2 screws

1



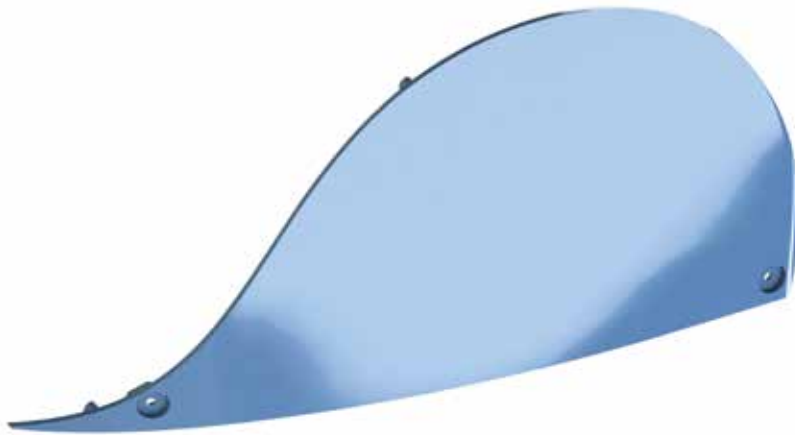
FINAL RESULT



82 PARTS LIST

82A

82B



-  **CM (x7)**
-  **SM (x9)**

82A Right rear fender

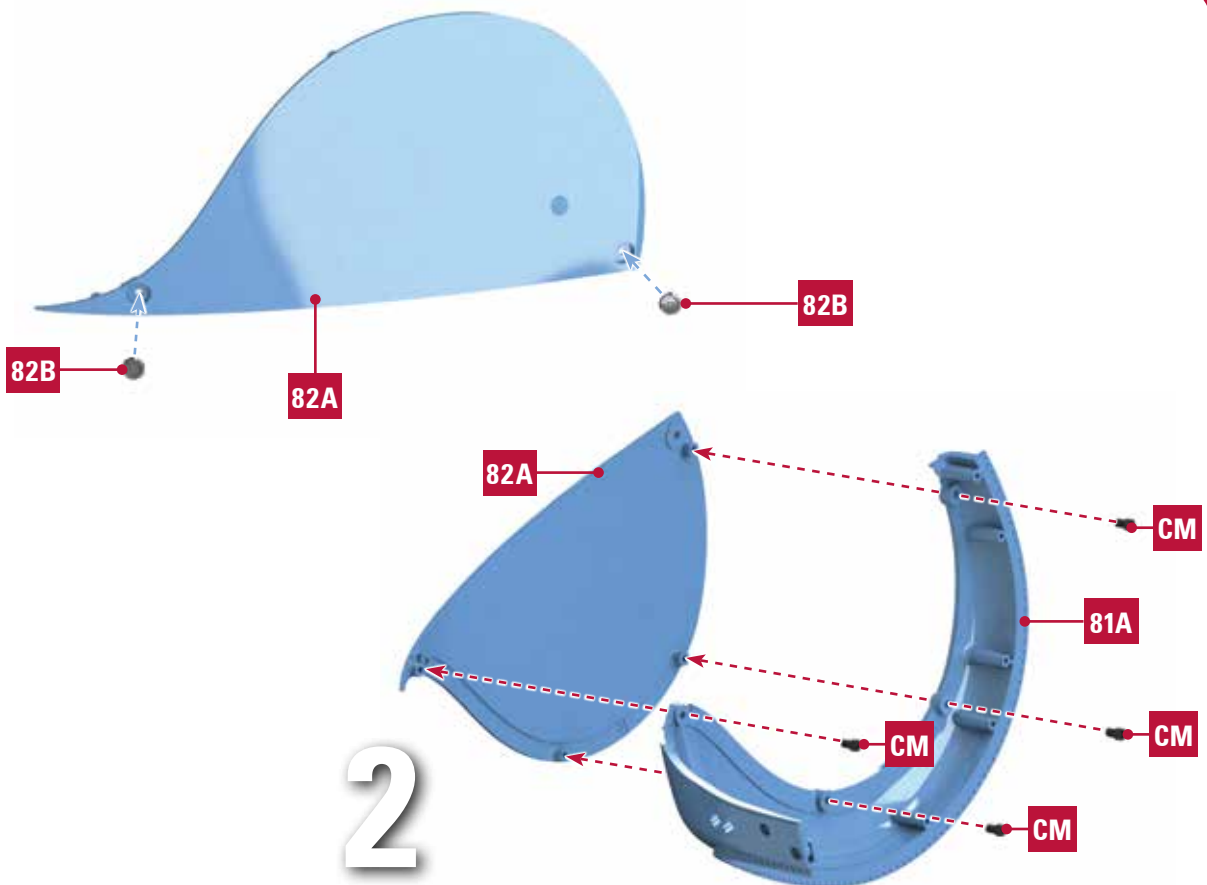
82B Rear fender cover detail (x2)

SCREWS

CM 7 screws

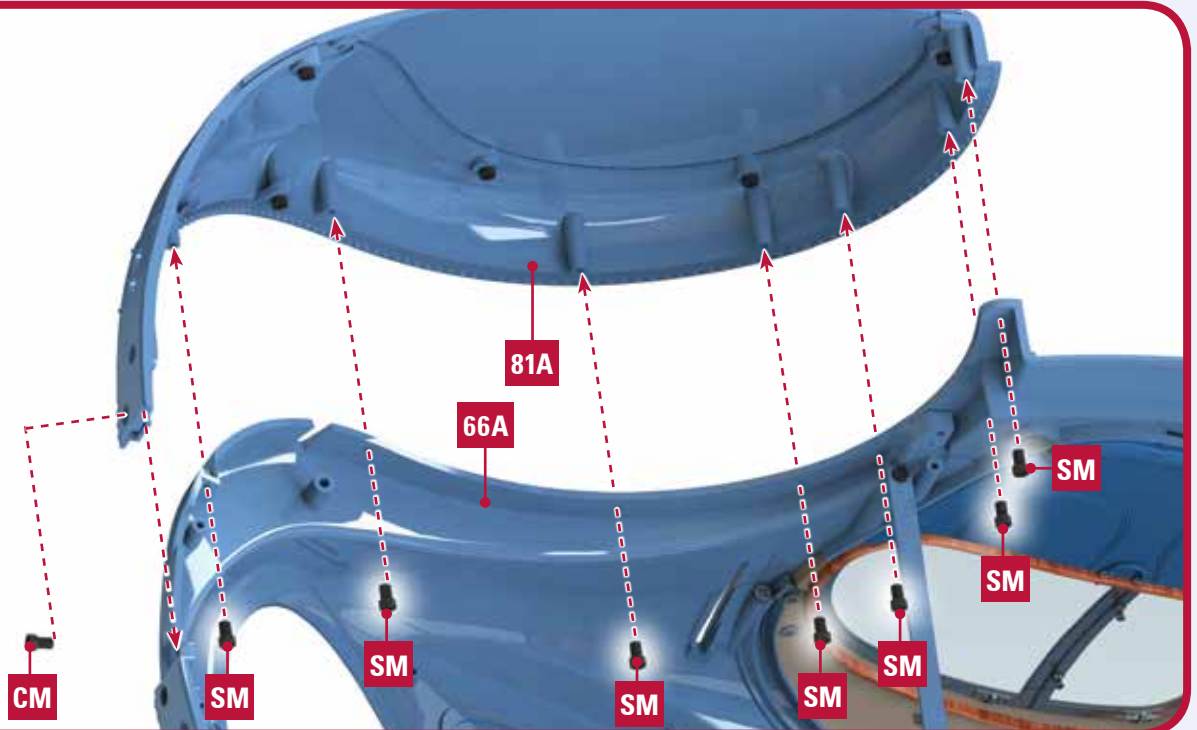
SM 9 screws

1



2

3



FINAL RESULT



83 PARTS LIST



83A



83B



83C



83D

83A Interior roof

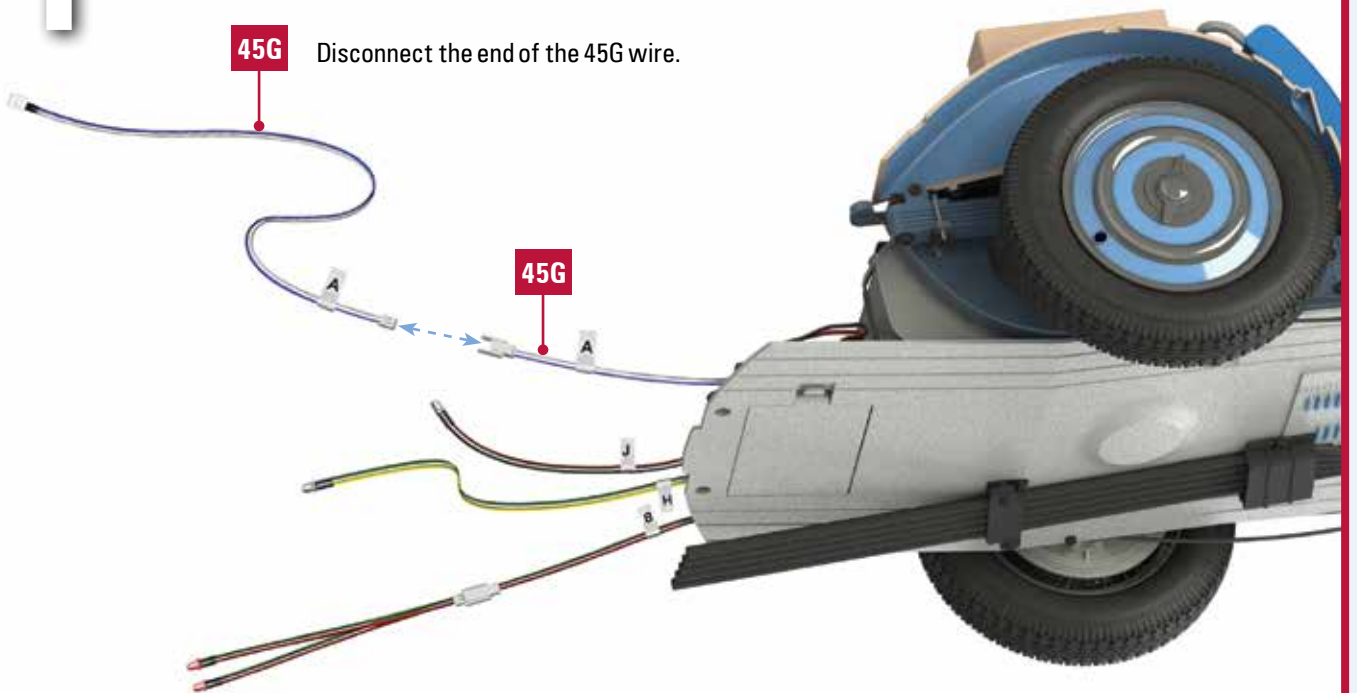
83B Interior roof light frame

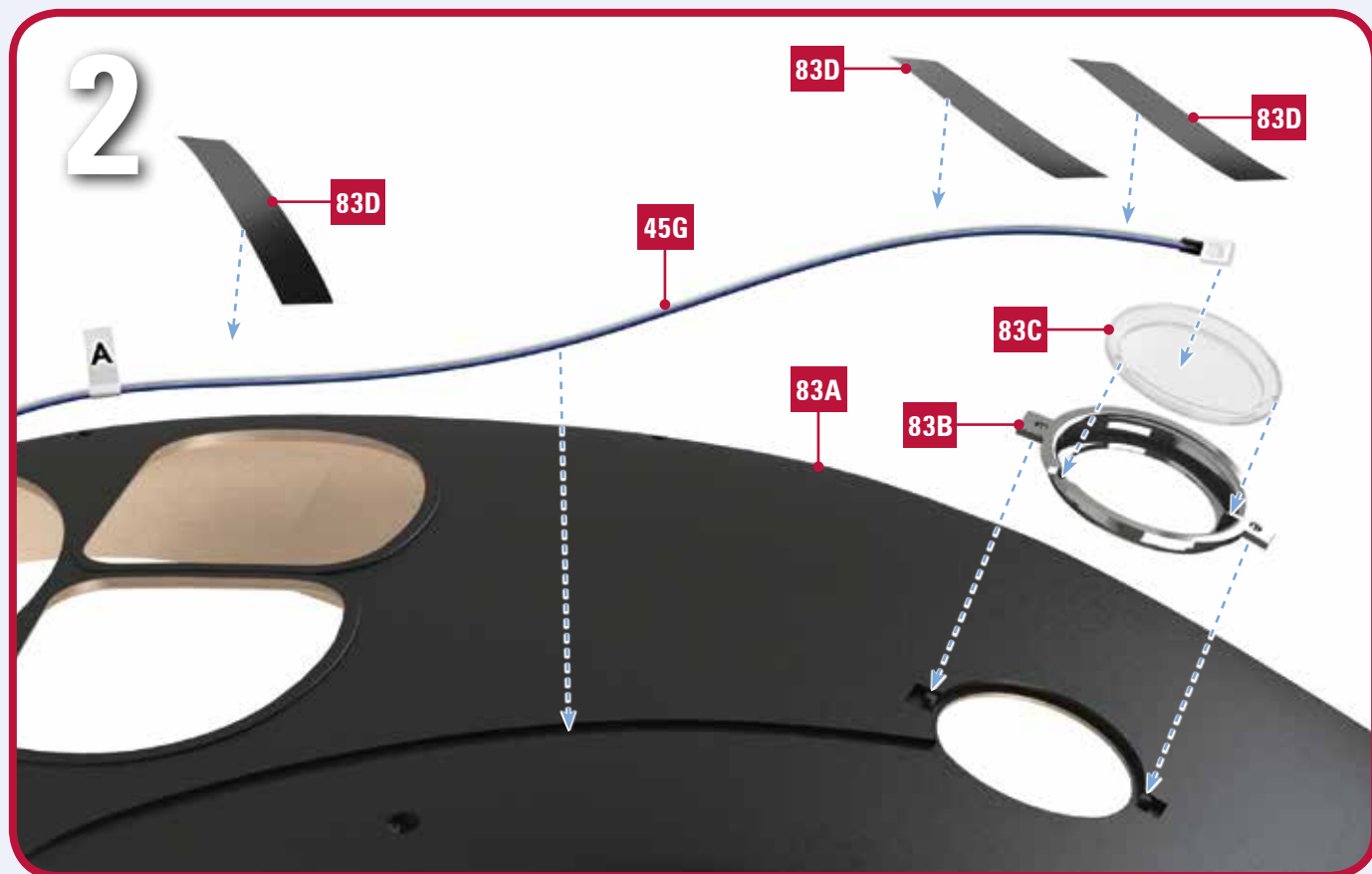
83C Interior roof light

83D Stickers

1

45G Disconnect the end of the 45G wire.

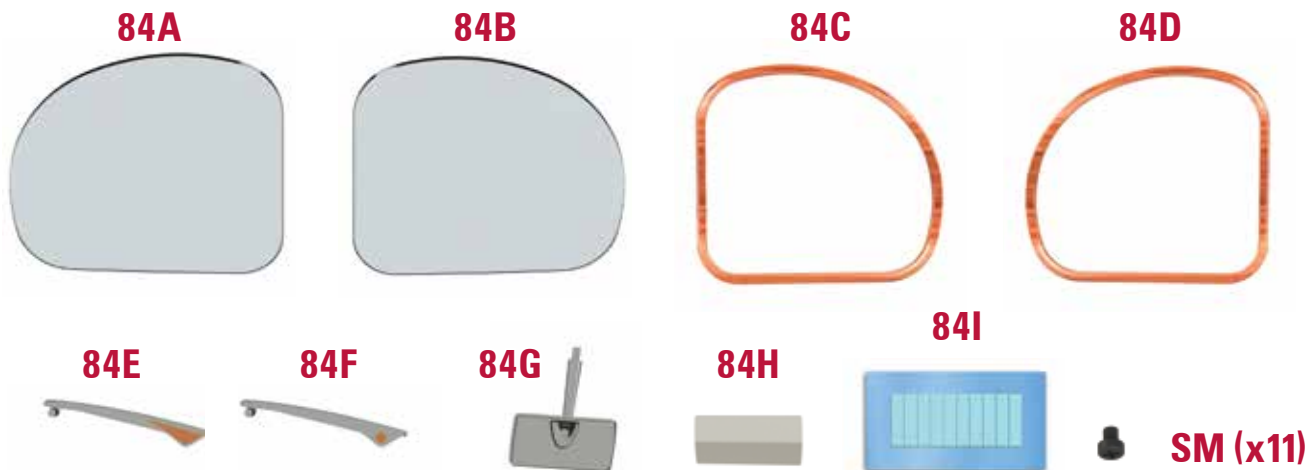




FINAL RESULT



84 PARTS LIST



84A Left rear window

84B Right rear window

84C Left rear window frame

84D Right rear window frame

84E Indicator lever left

84F Indicator lever right

84G Rear view mirror housing

84H Rear view mirror

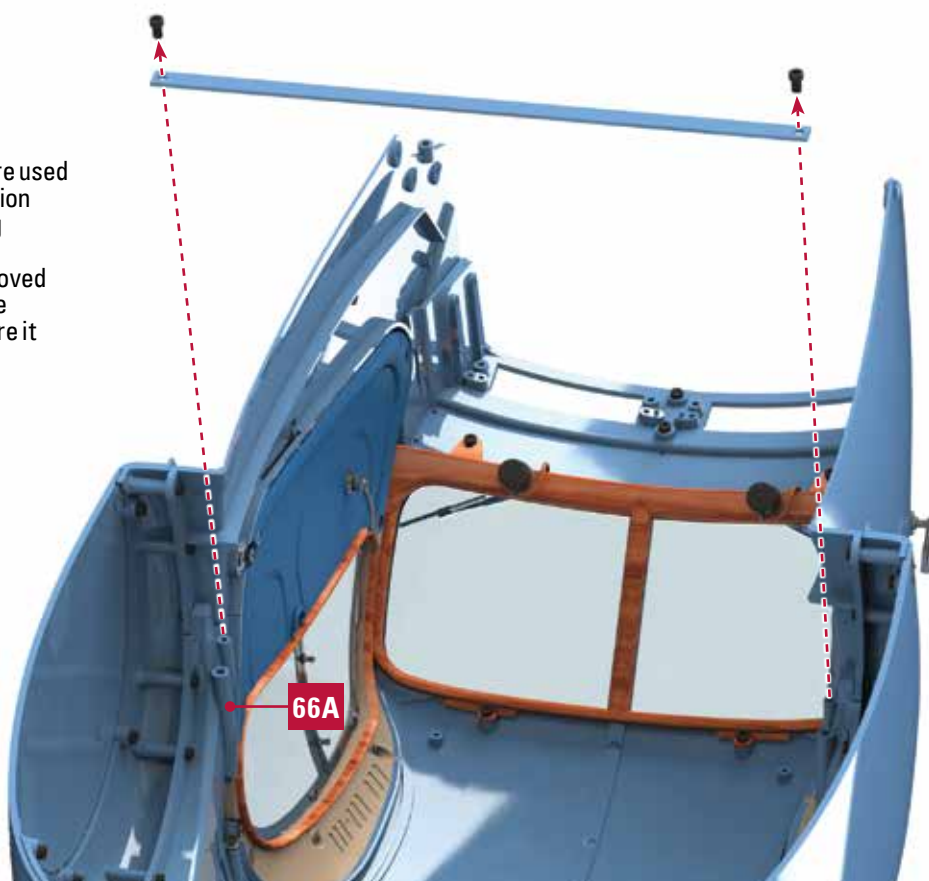
84I Stickers

SCREWS

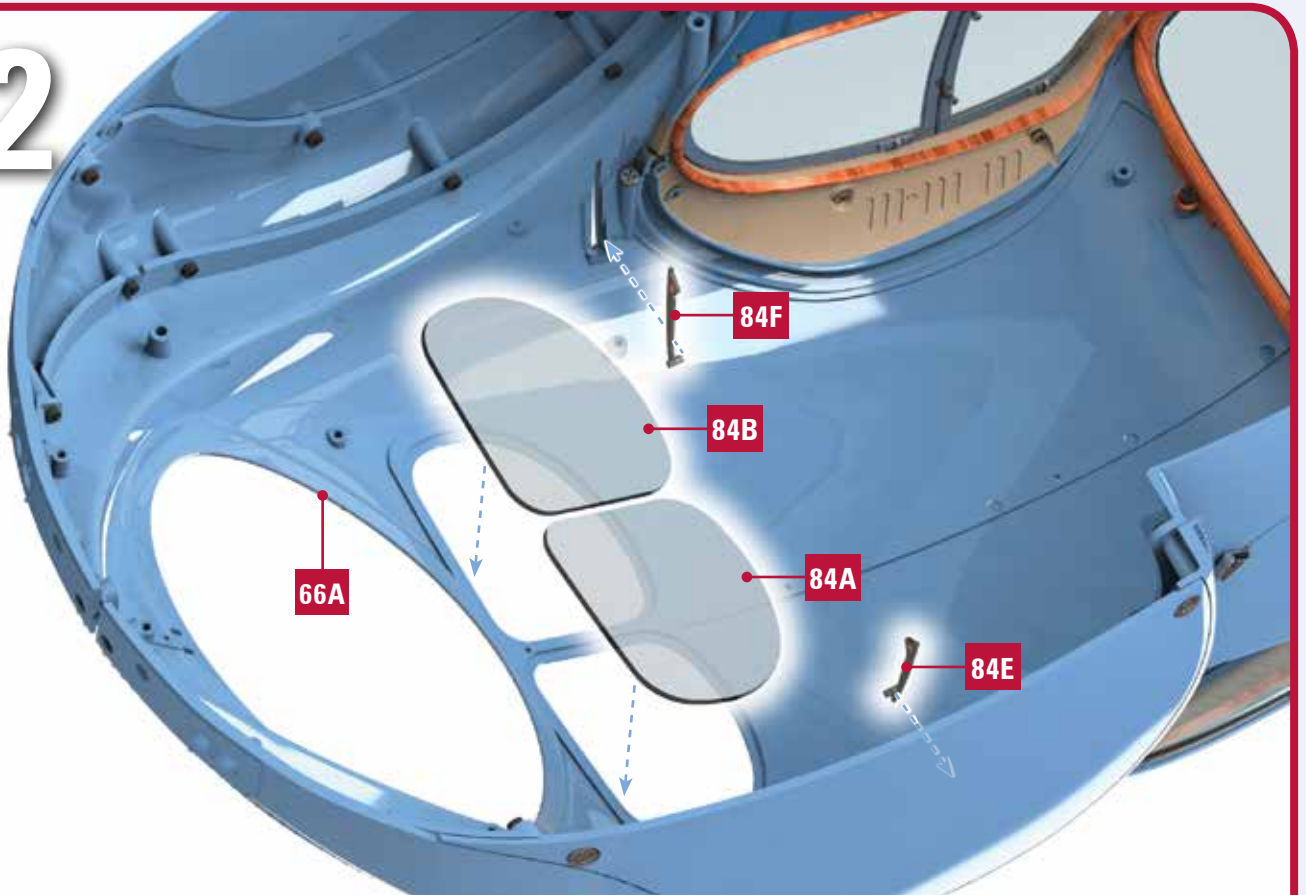
SM 11 screws

1

The shorter bar are used to avoid deformation of the body during transport. It can now be removed by unscrewing the screws that secure it to the body.



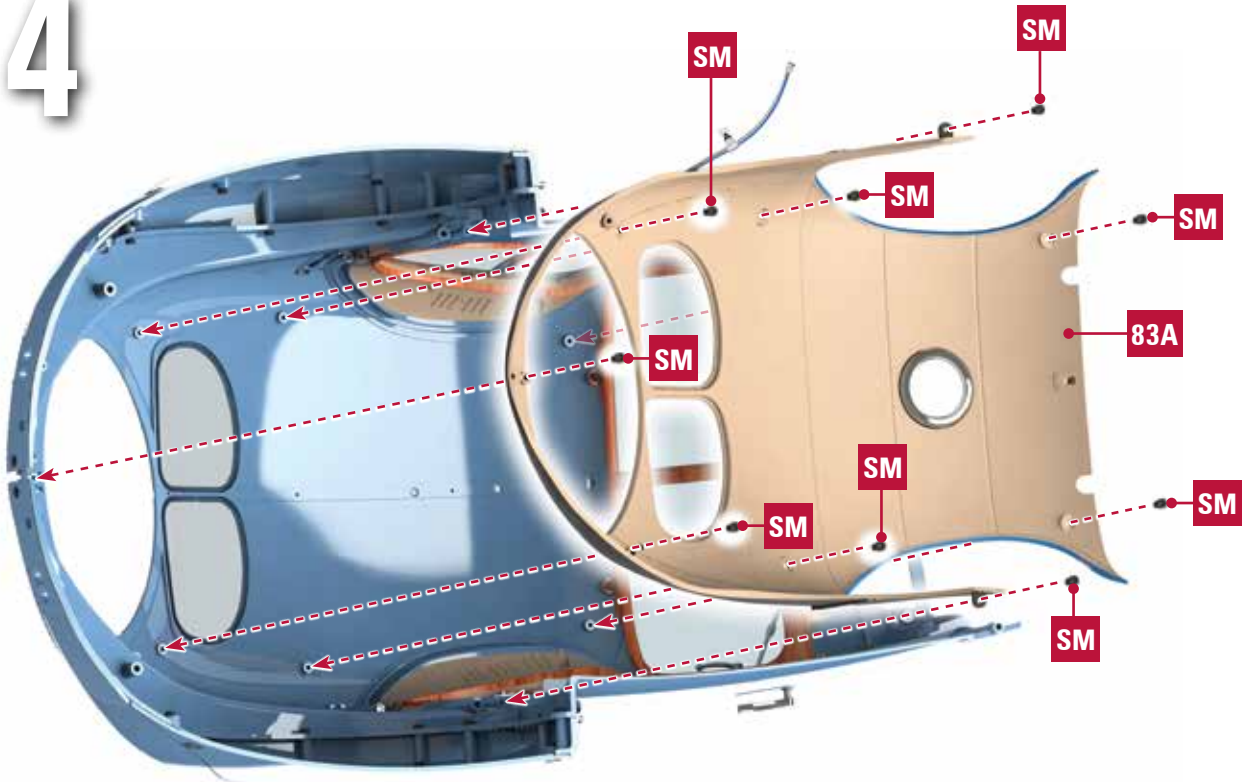
2



3



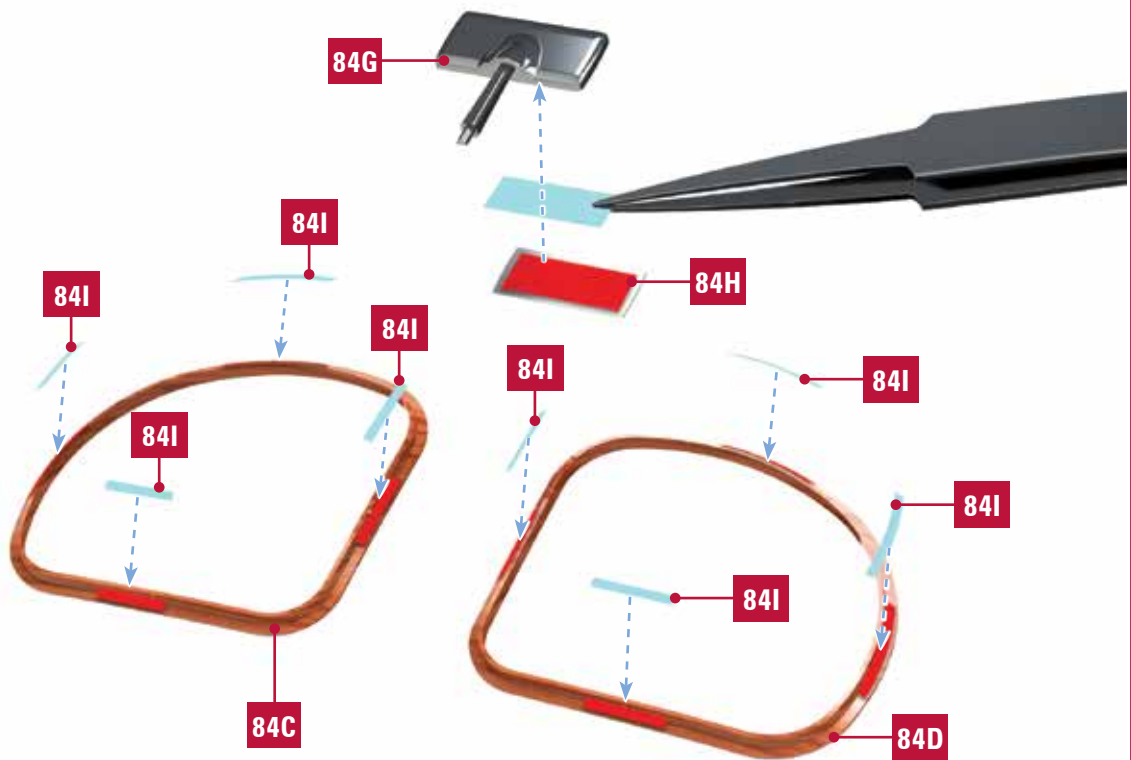
4



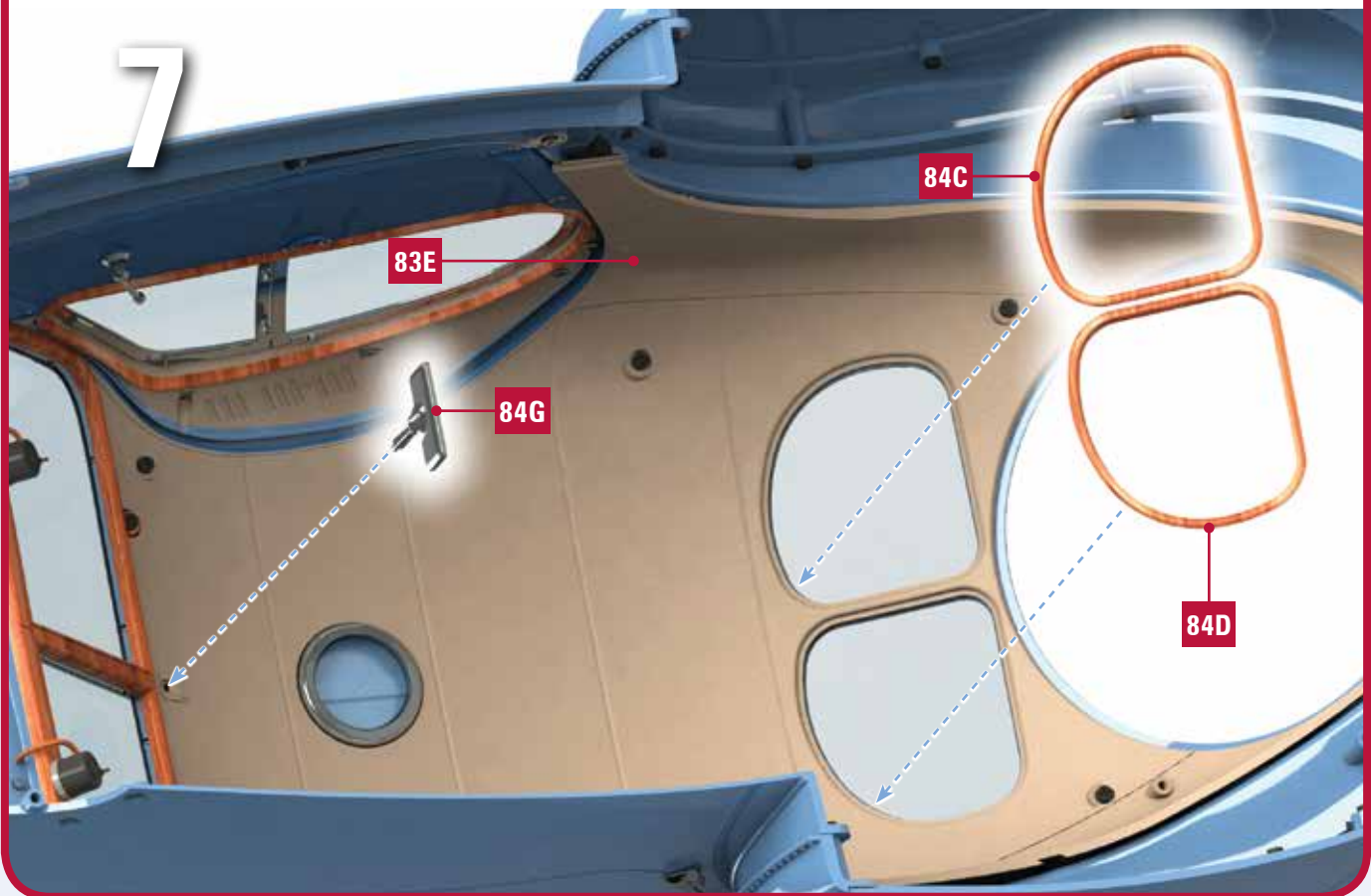
5



6



7



FINAL RESULT



85 PARTS LIST

85A



85B



85C



85D



84E (x4)



CM (x5)



QM (x5)



SM (x5)

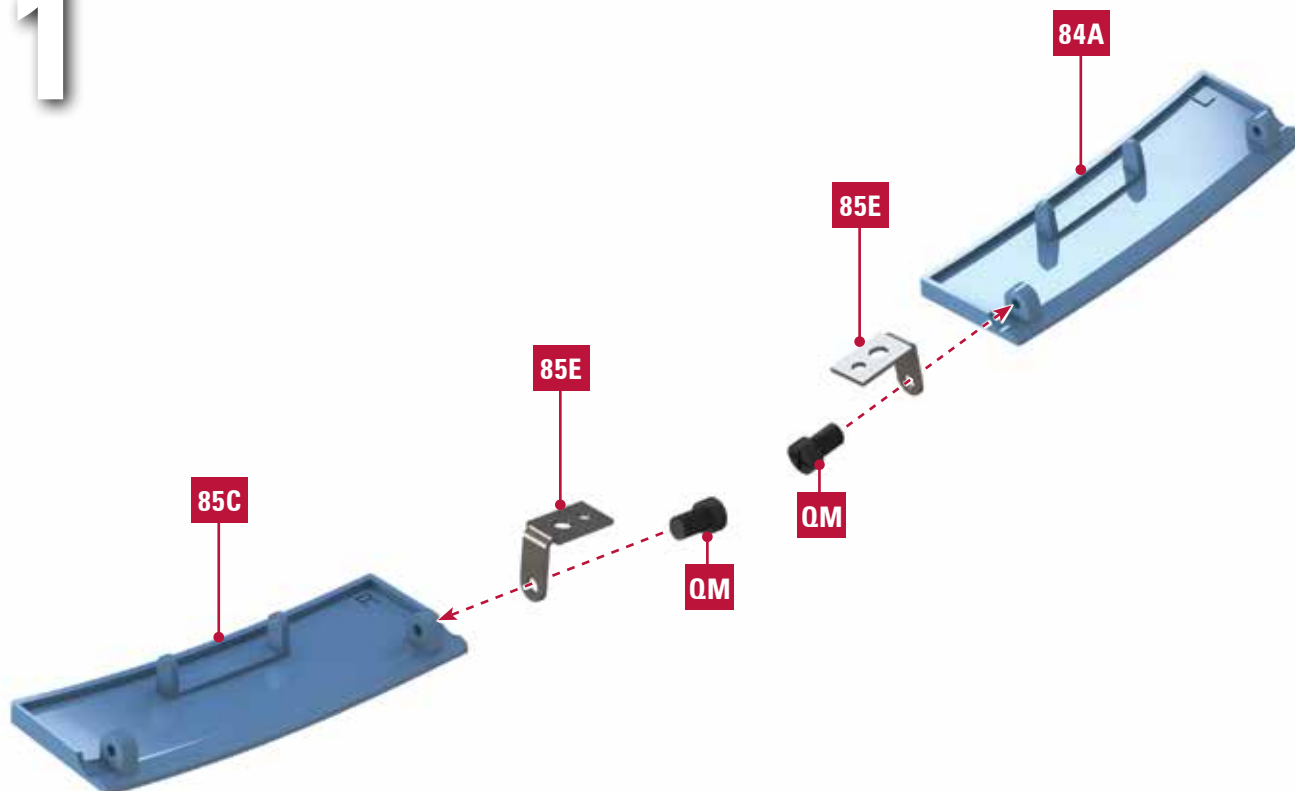


85A Left air vent cover
85B Left air vent cover base
85C Right air vent cover

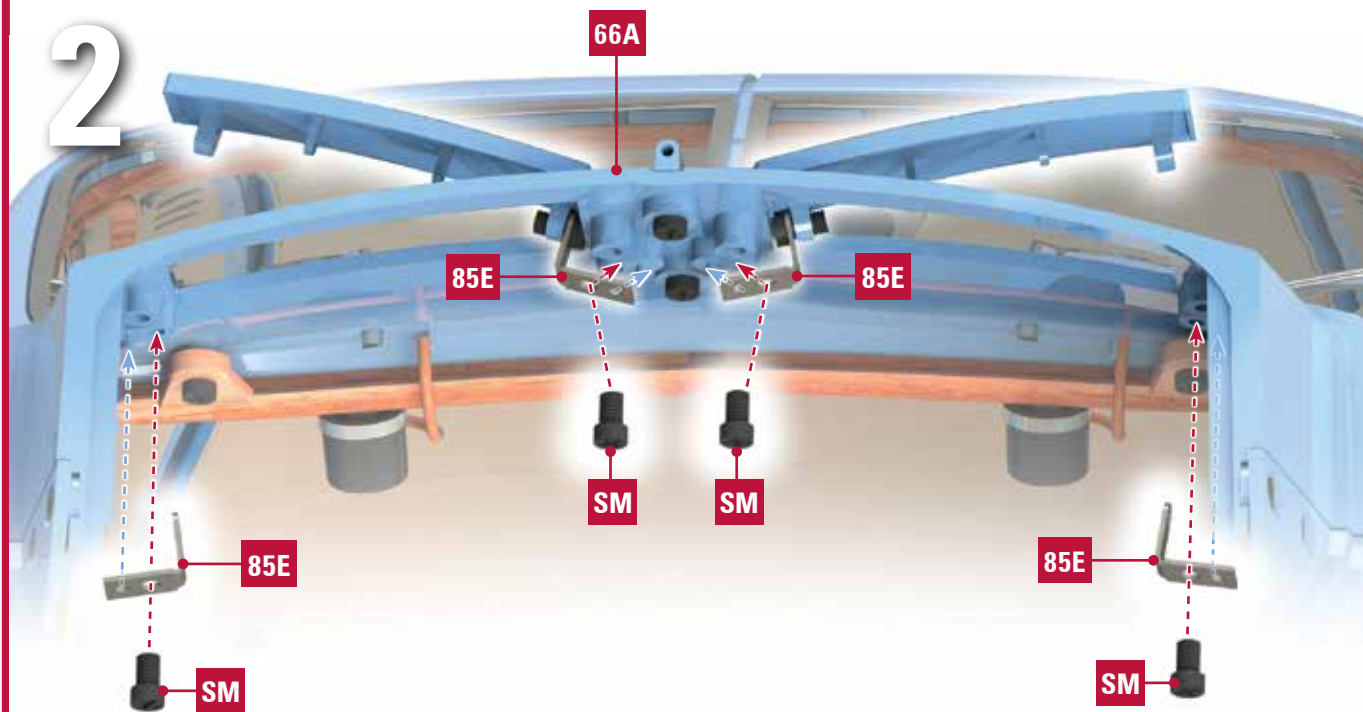
85D Right air vent cover base
85E Air vent cover hinge (x4)

SCREWS
CM 5 screws
QM 5 screws
SM 5 screws

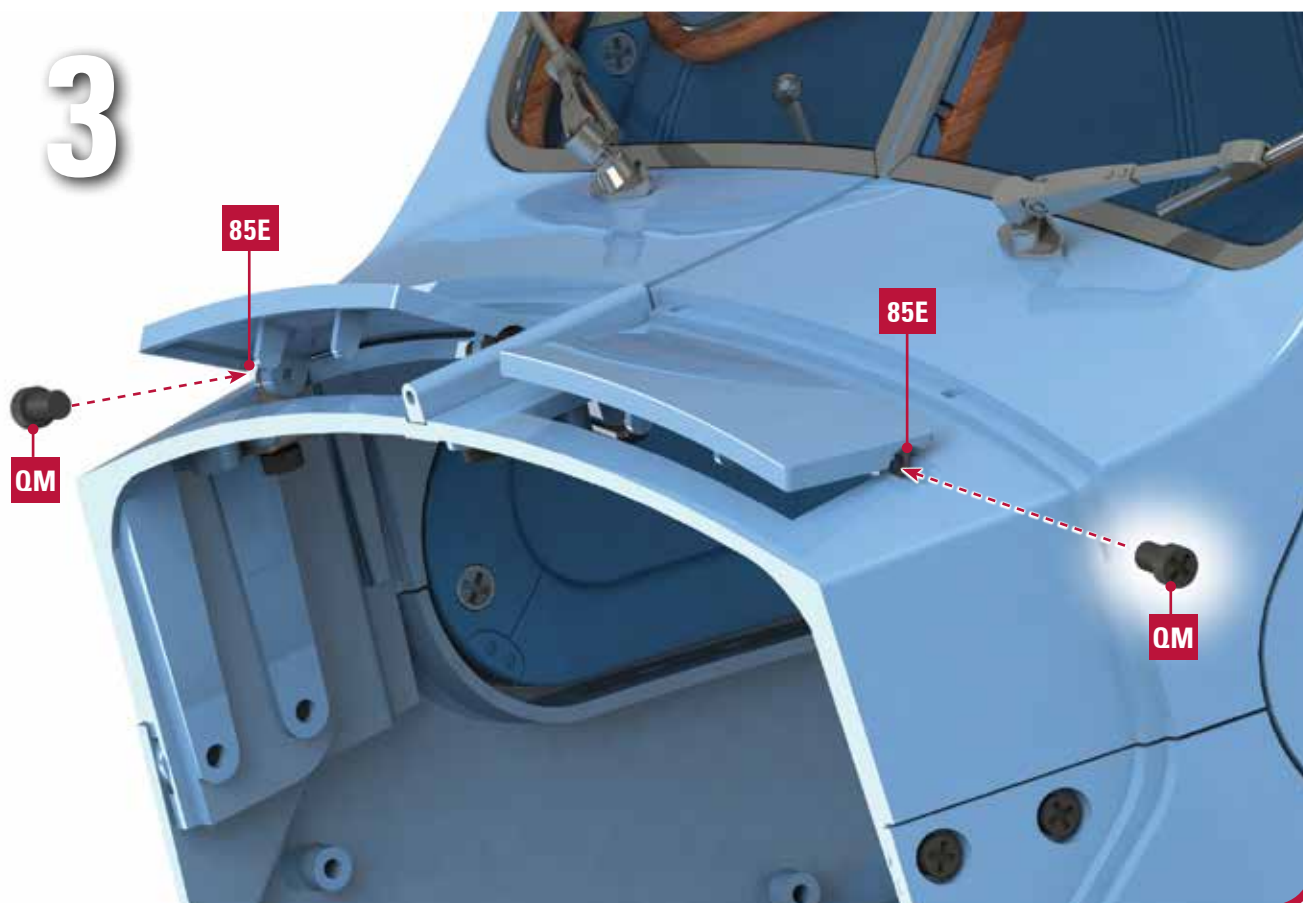
1

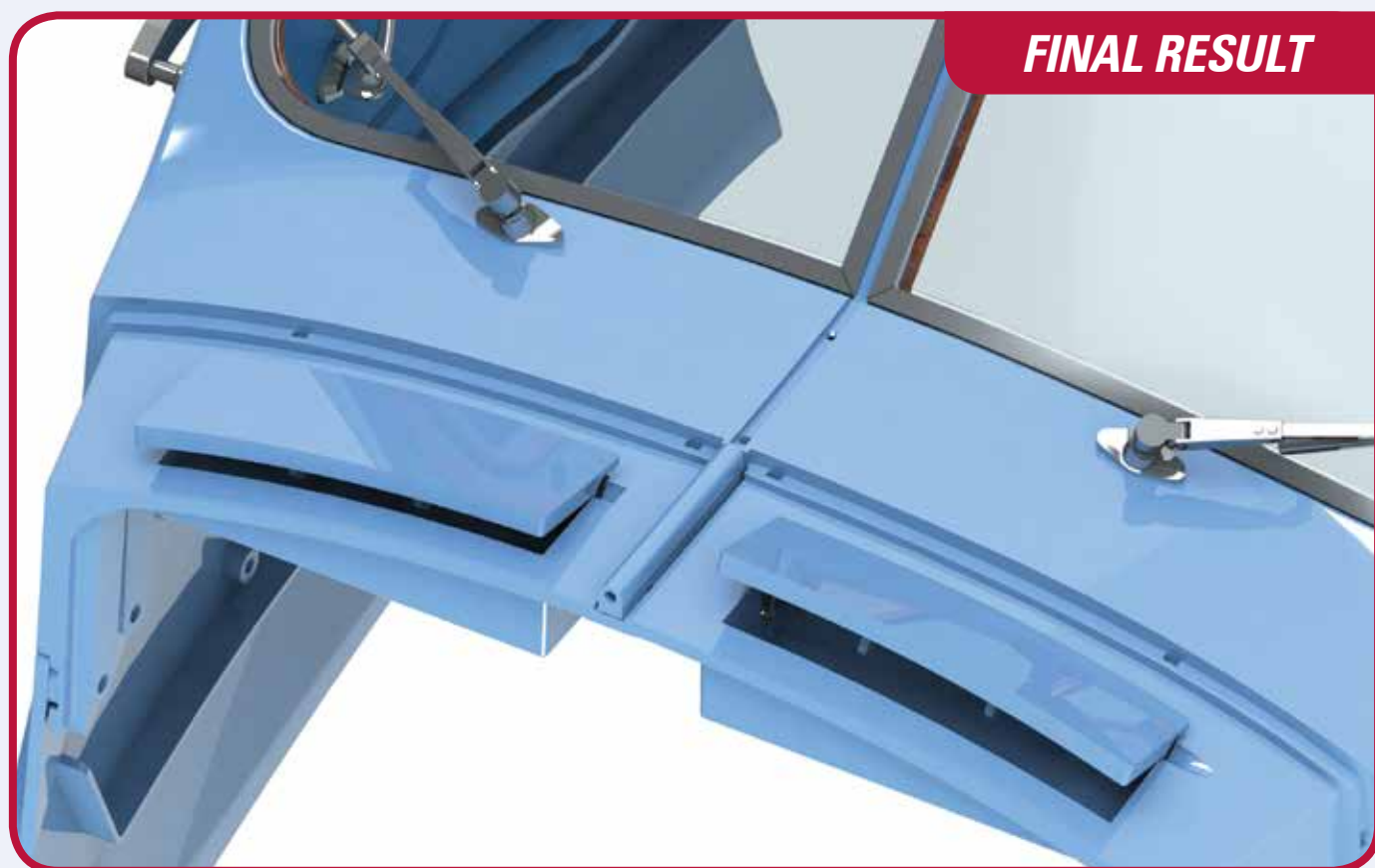
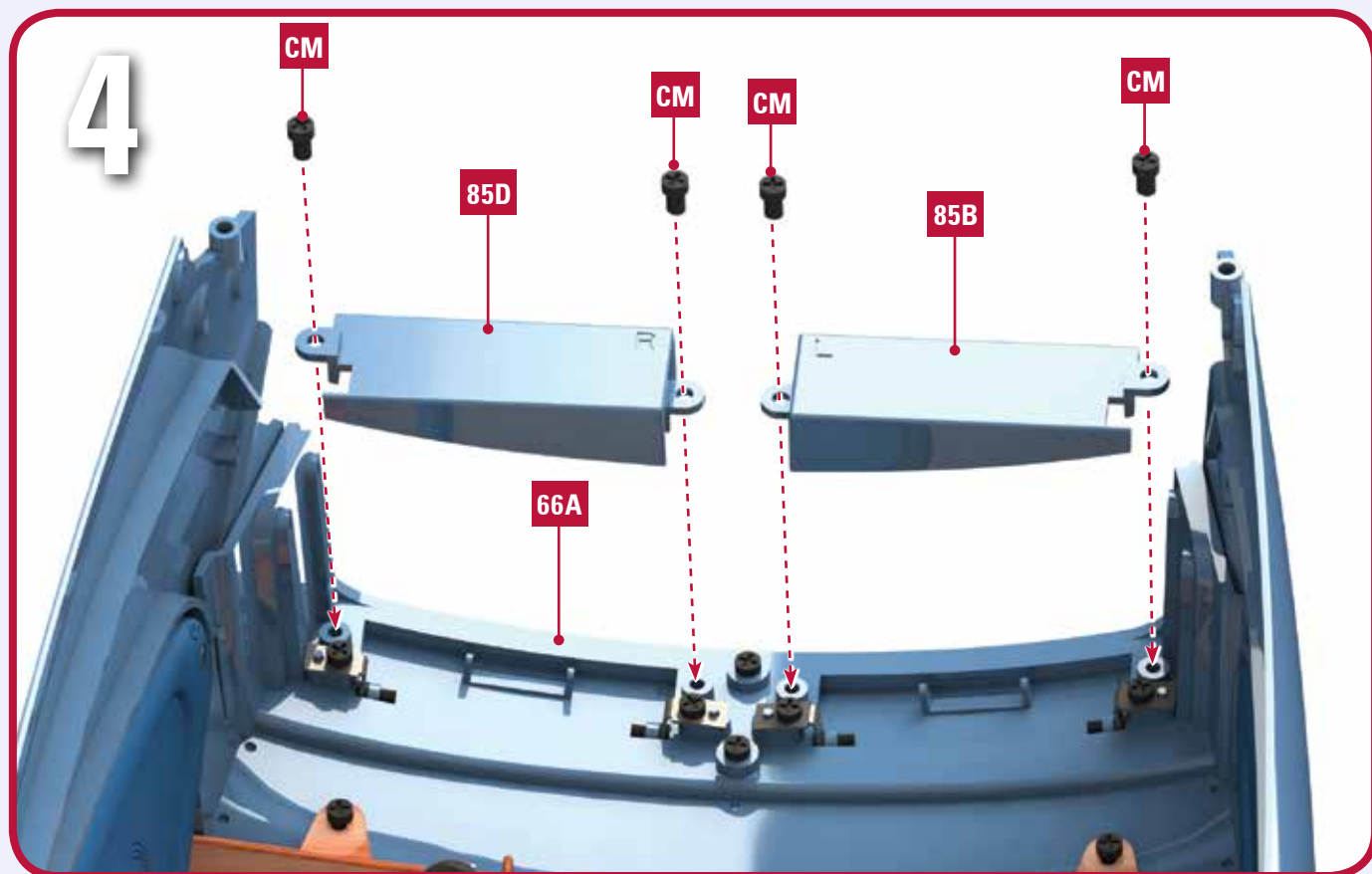


2



3





86 PARTS LIST



86A

86B



86C



86D



86E



ACP (x3)



OP (x3)

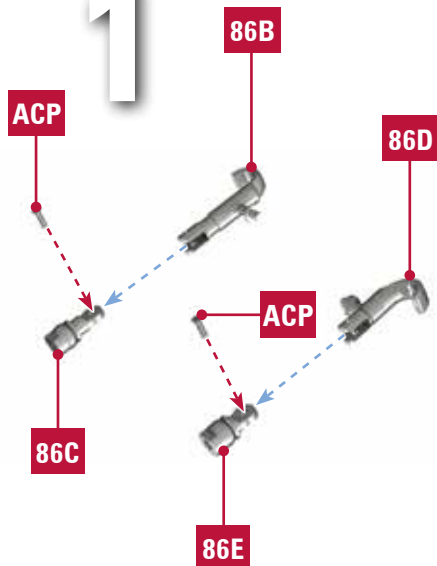
- 86A** Left front fender
- 86B** Left engine hood rear bracket
- 86C** Left engine hood rear bracket base
- 86D** Left engine hood front bracket
- 86E** Left engine hood front bracket base

SCREWS

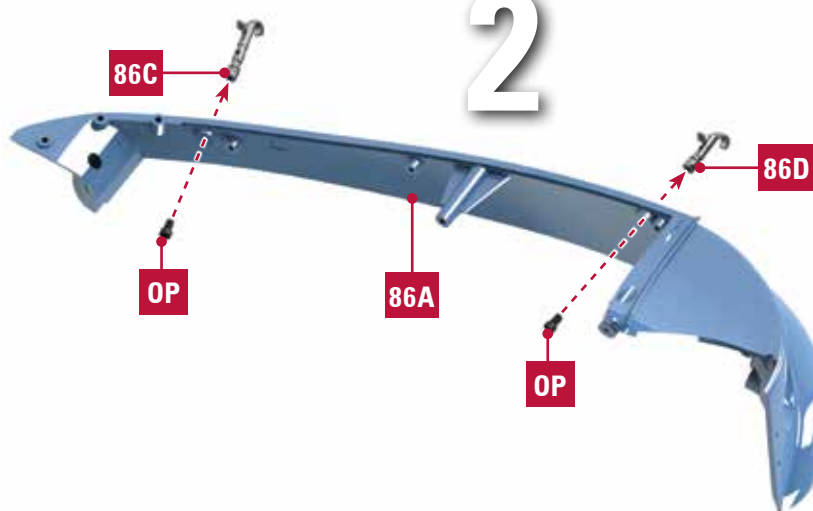
ACP 3 screws

OP 3 screws

1



2



FINAL RESULT



87 PARTS LIST

87A



87B



AM (x2)



AGM (x4)

87A Left front fender outer

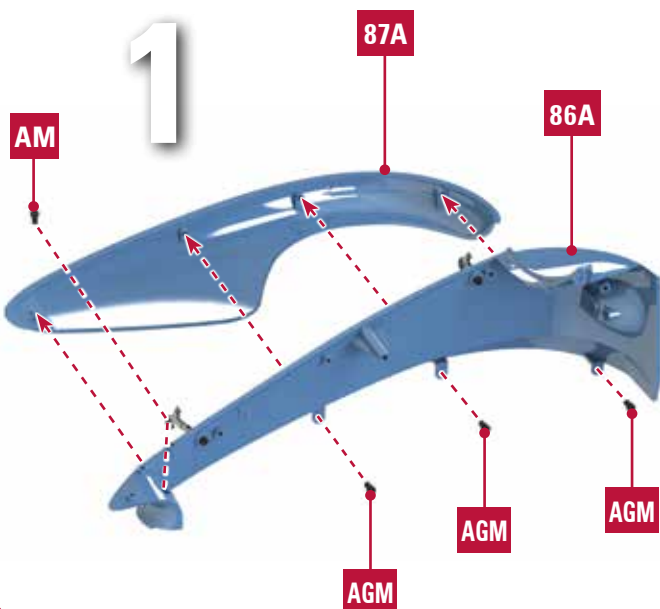
87B Turn signal light

SCREWS

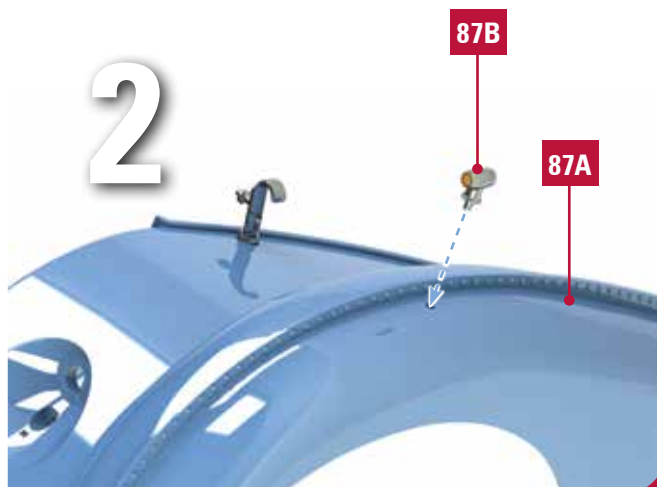
AM 2 screws

AGM 4 screws

1



2



FINAL RESULT



88 PARTS LIST



88A



88B



88C



88D



86E



ACP (x3)



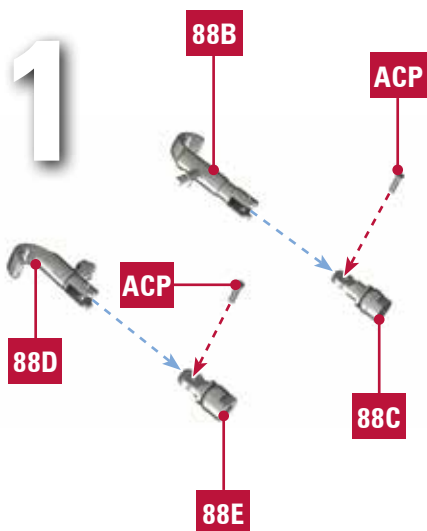
OP (x3)

- 88A** Right front fender
- 88B** Right engine hood rear bracket
- 88C** Right engine hood rear bracket base
- 88D** Right engine hood front bracket
- 88E** Right engine hood front bracket base

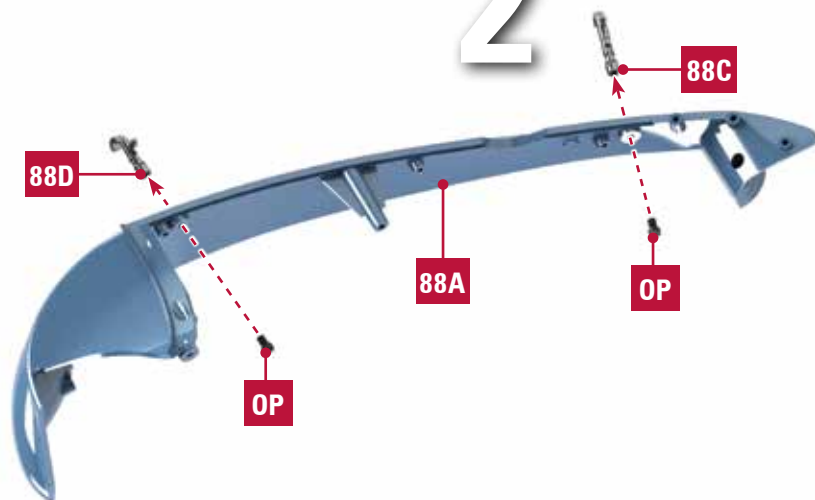
SCREWS

- ACP** 3 screws
- OP** 3 screws

1



2



FINAL RESULT



89 PARTS LIST

89A



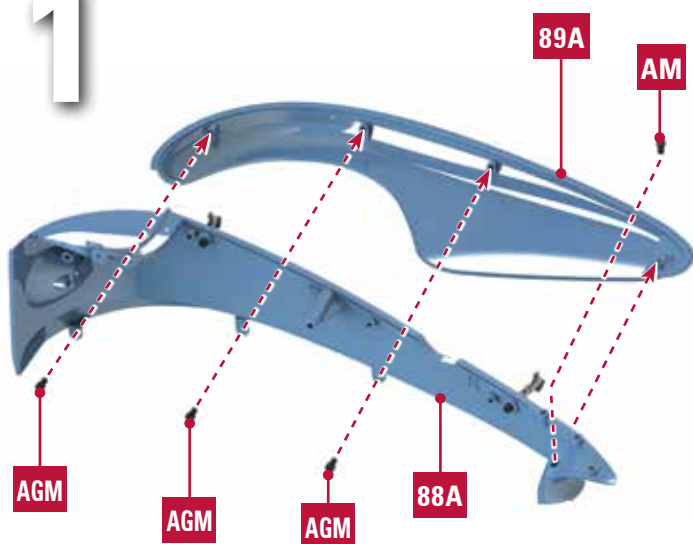
89A Right front fender outer
89B Trun signal light

SCREWS

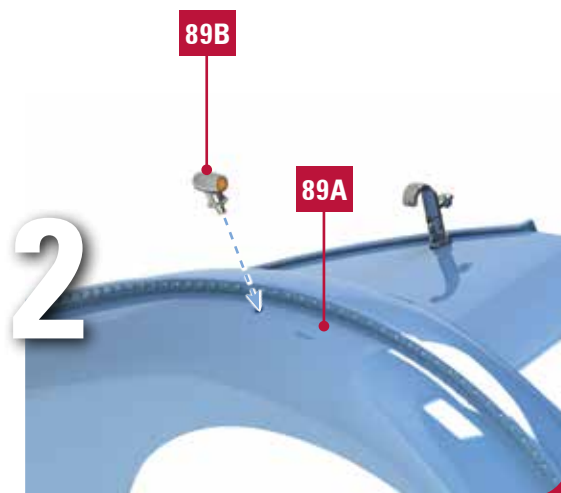
AM 2 screws
AGM 4 screws

89B **AM (x2)** **AGM (x4)**

1



2



FINAL RESULT



90 PARTS LIST

90A



90B



90C (x2)



DM (x14)



AP (x3)

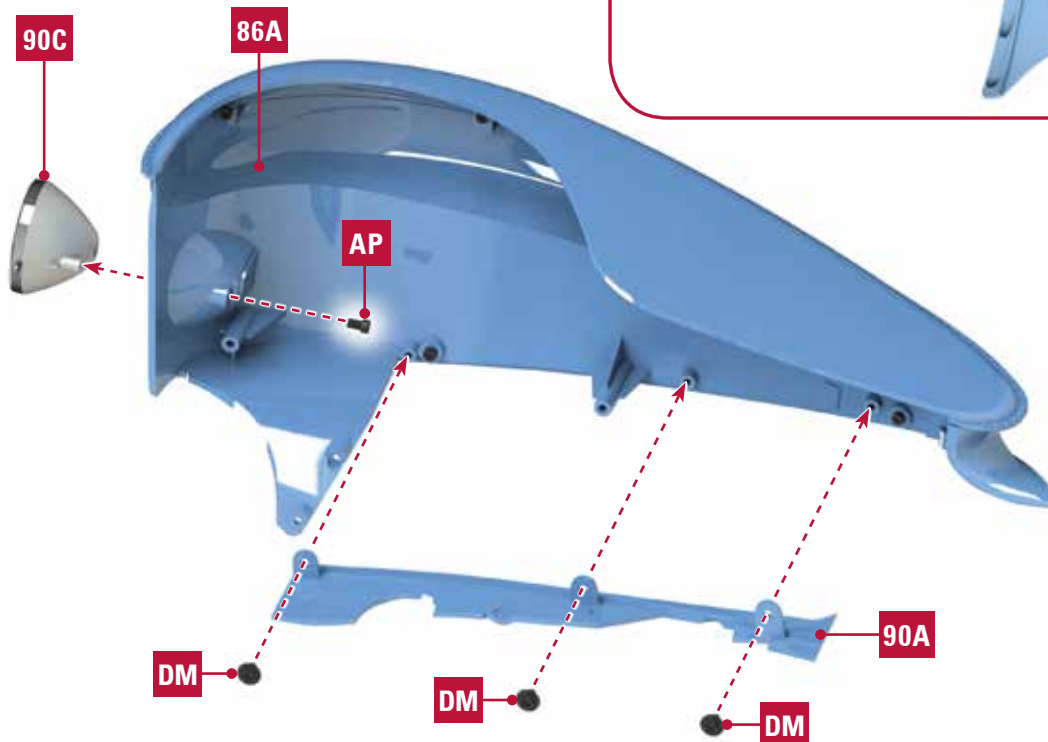
- 90A** Left front fender inner
- 90B** Right front fender inner
- 90C** Headlight (x2)

SCREWS

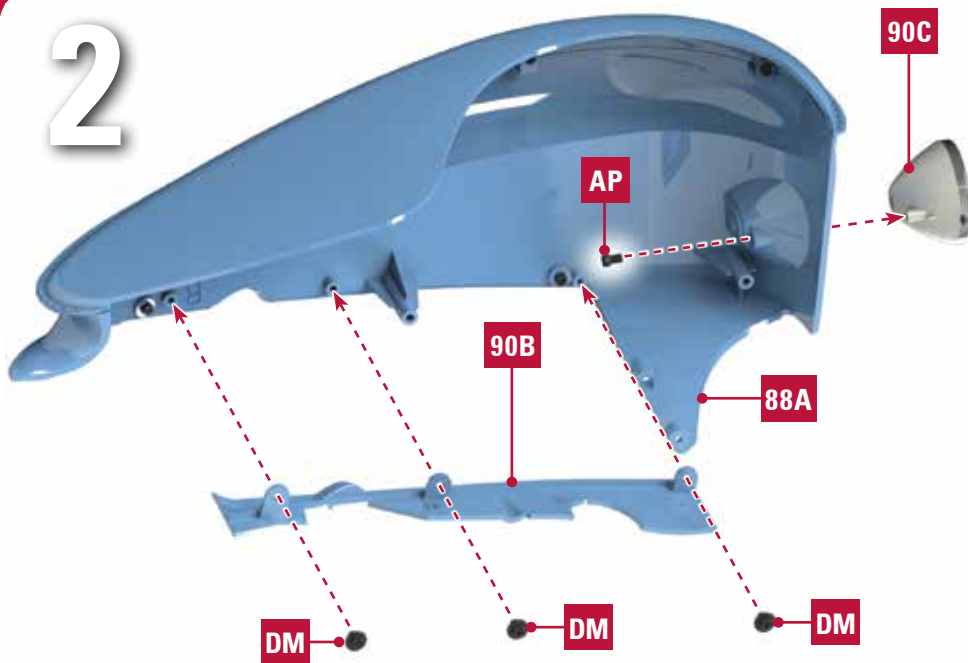
DM 14 screws

AP 3 screws

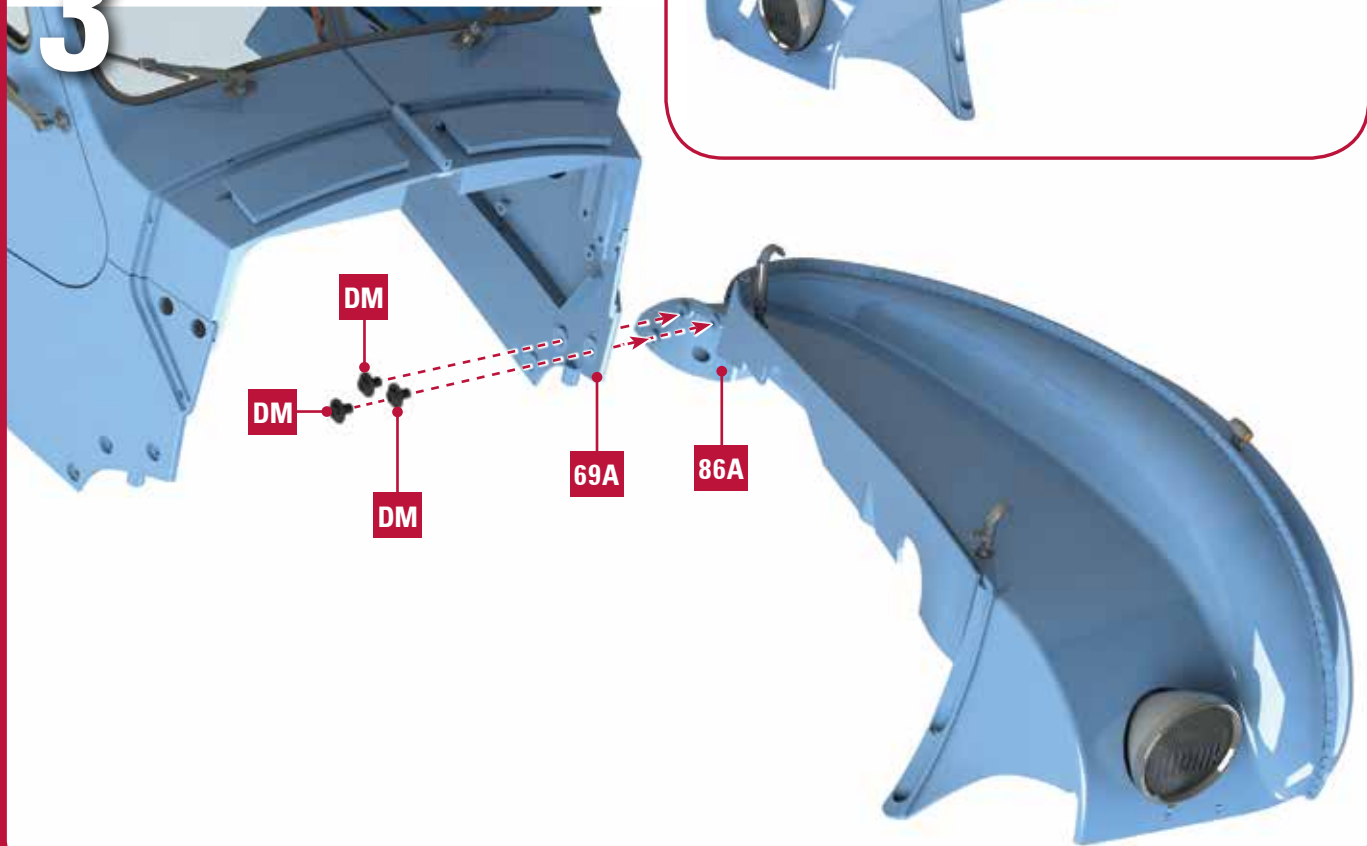
1



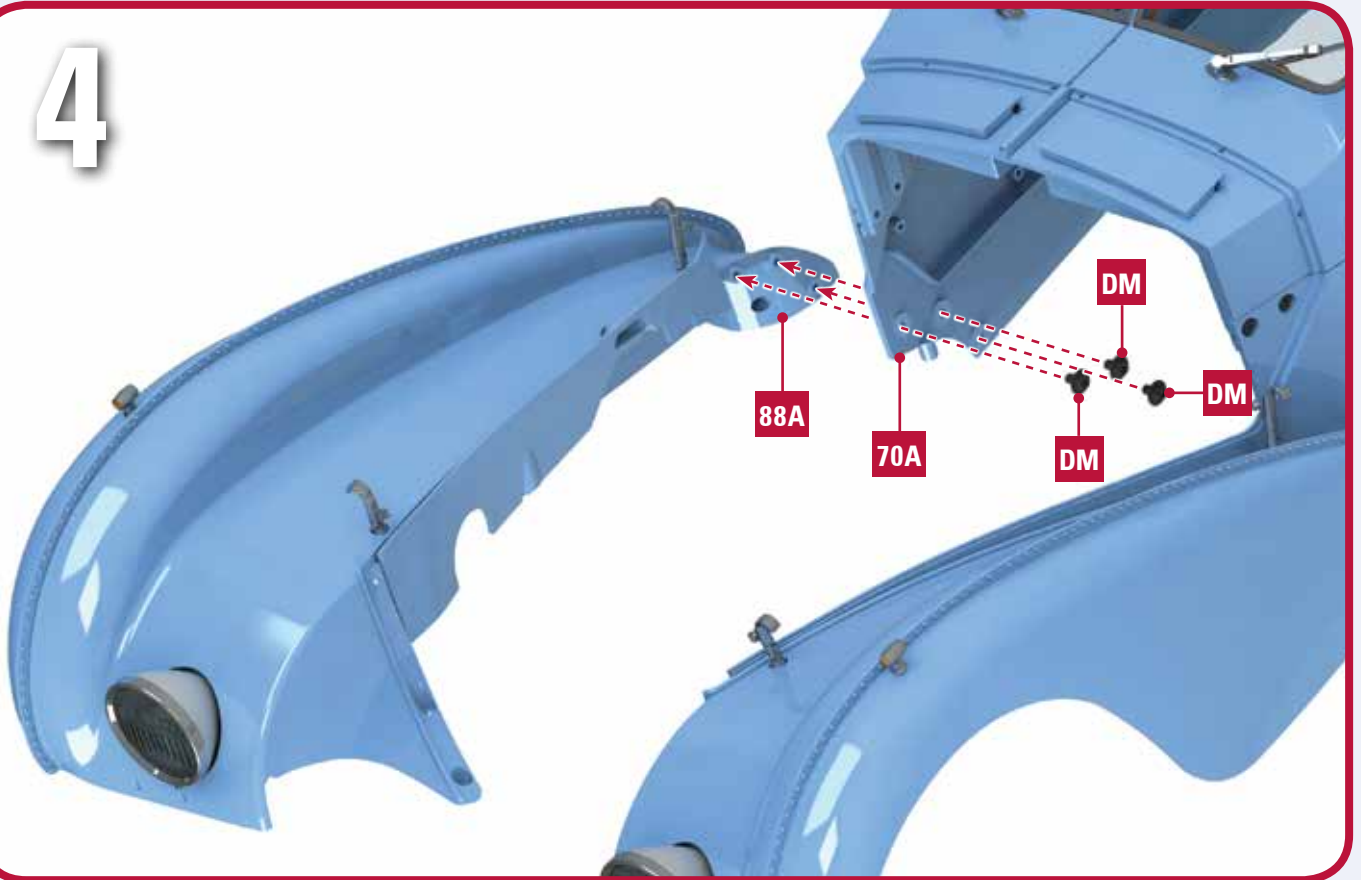
2



3



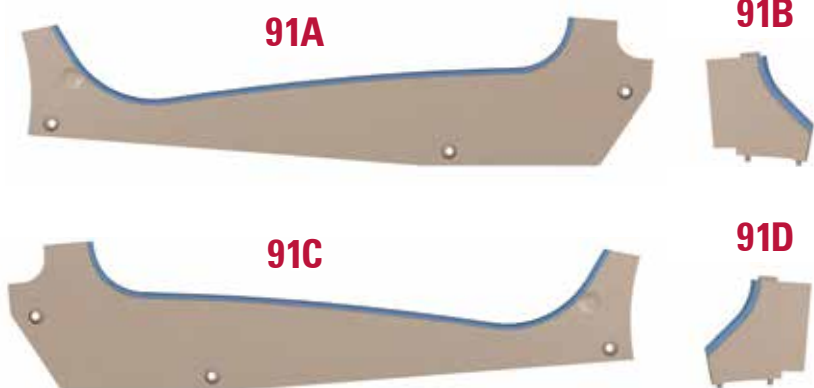
4



FINAL RESULT



91 PARTS LIST

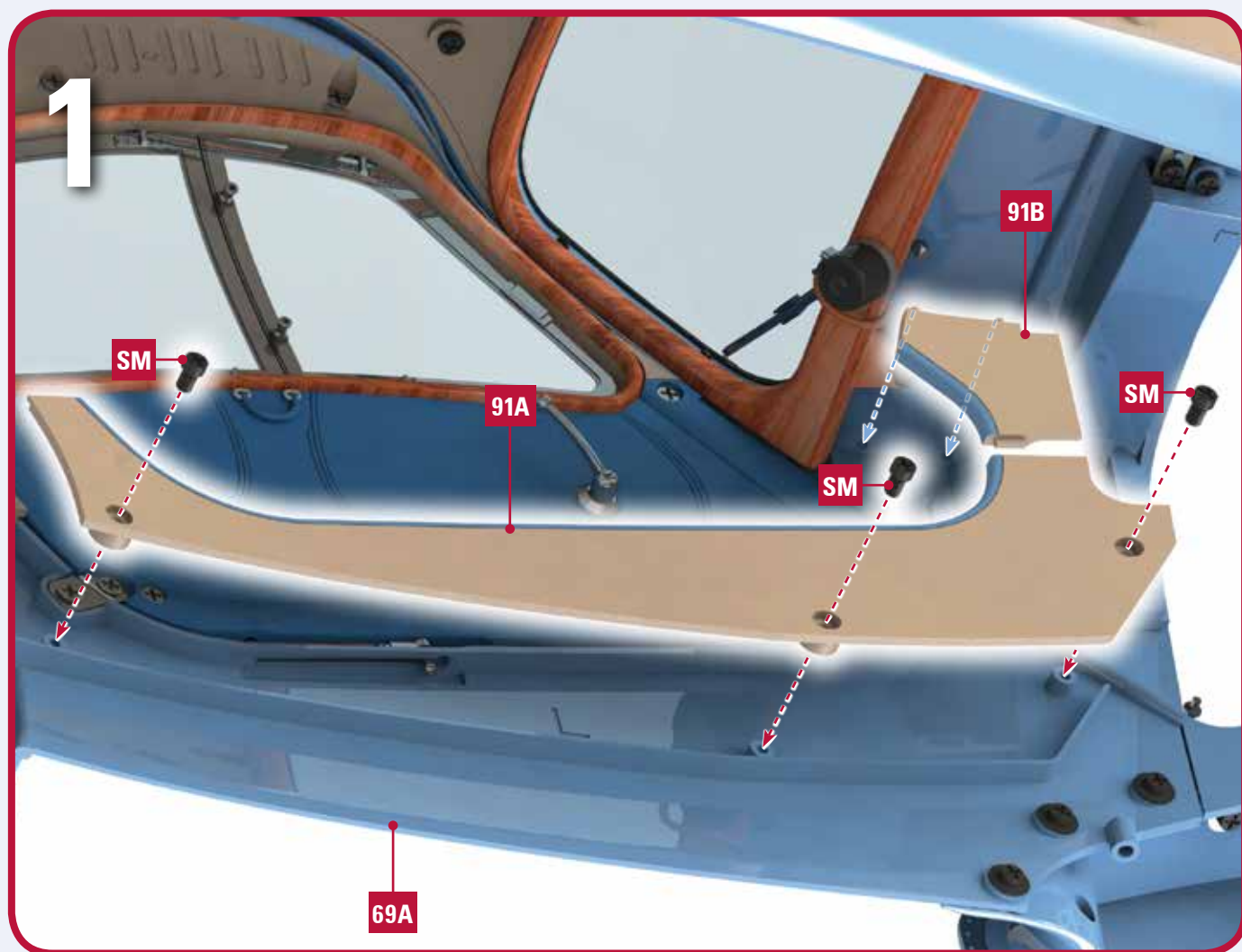


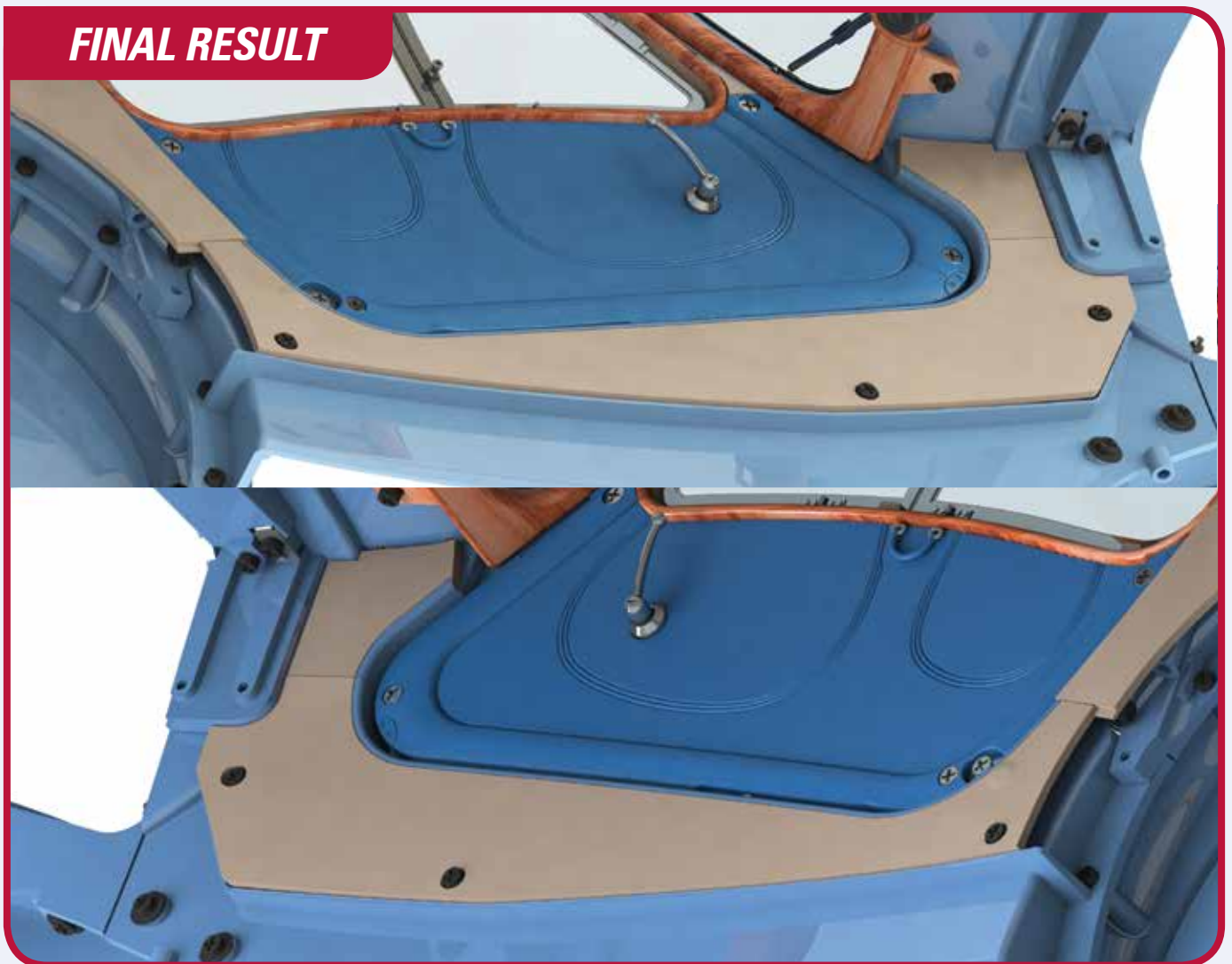
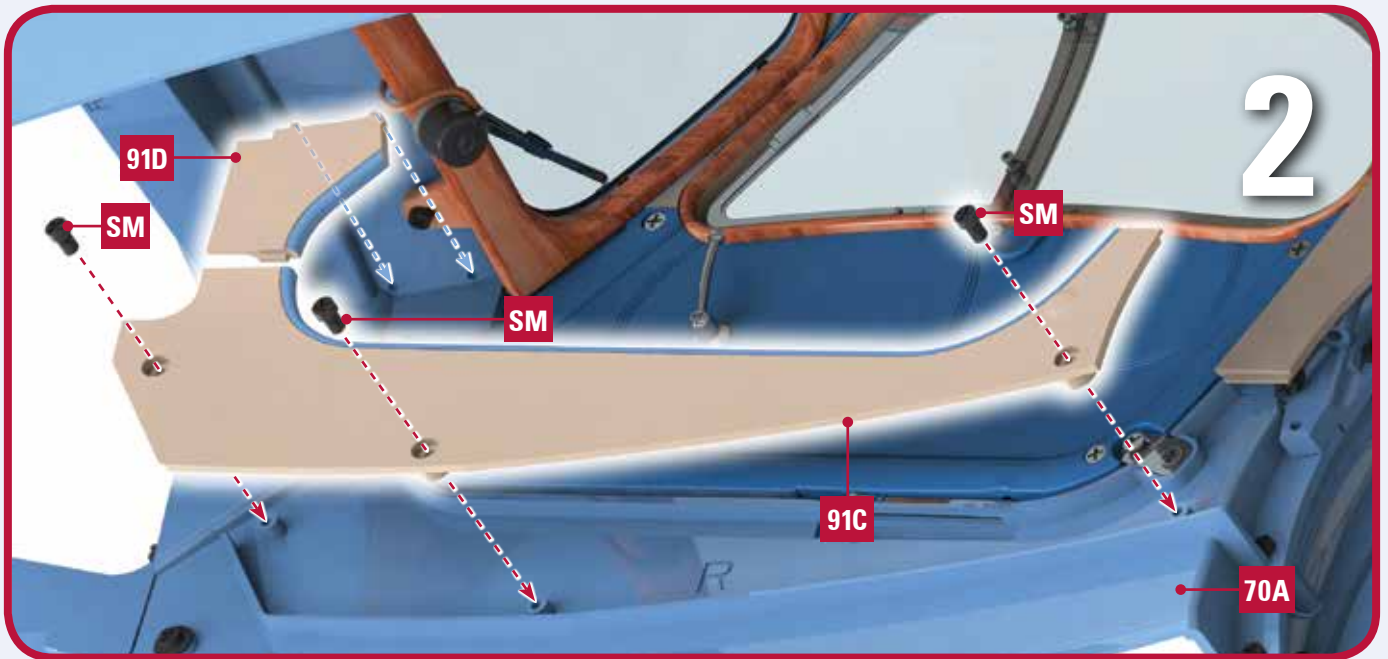
- 91A Left inner panel
- 91B Left inner front panel
- 91C Right inner panel
- 91C Right inner front panel

SCREWS

SM 7 screws

SM (x7)





92 PARTS LIST



92B

92C

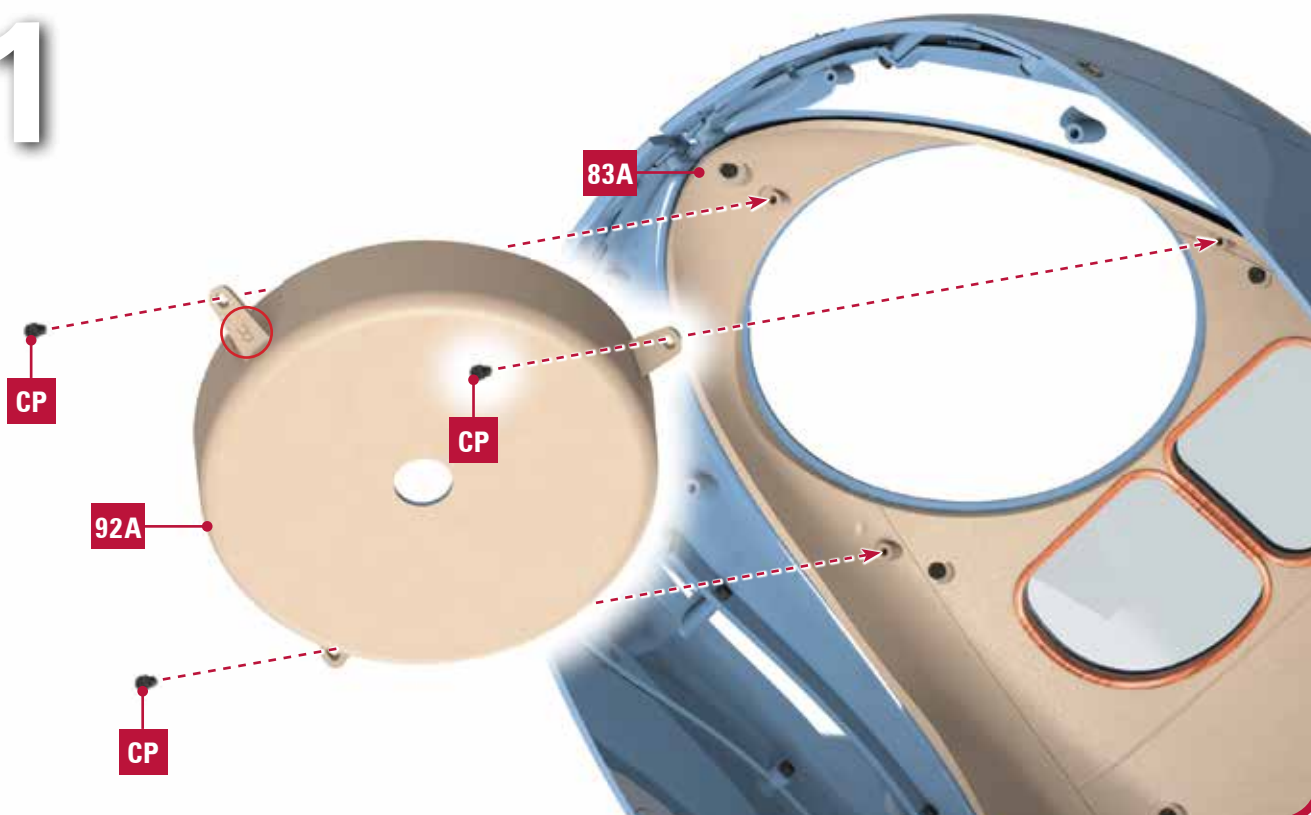
- 92A Spare wheel bracket
- 92B Tank cup
- 92C Tank cup detail

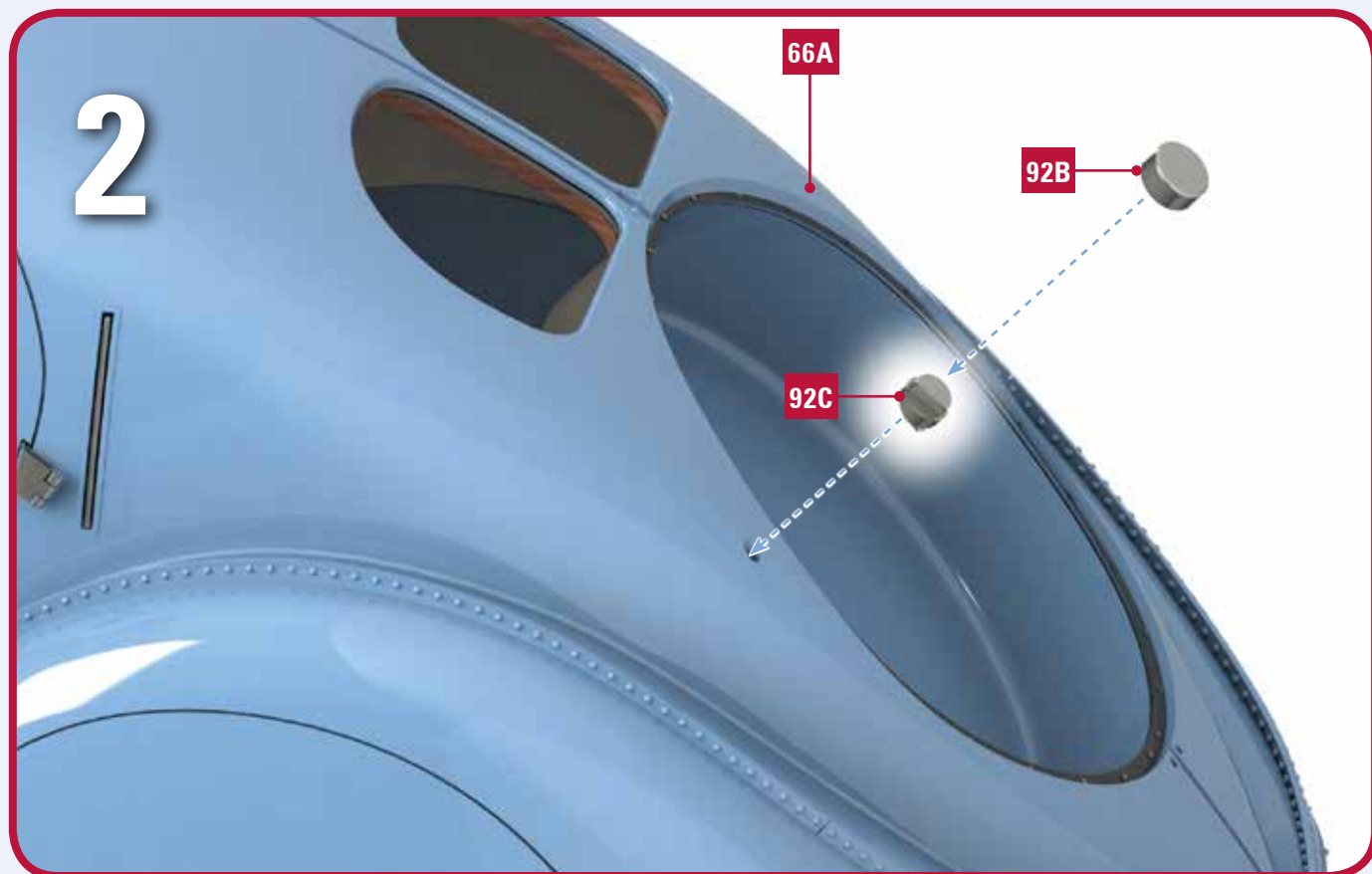
SCREWS

- CP 4 screws

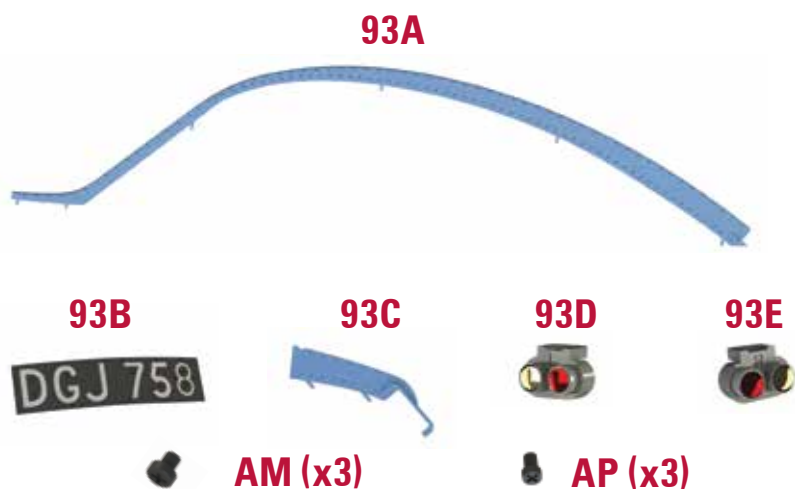
CP (x4)

1





93 PARTS LIST

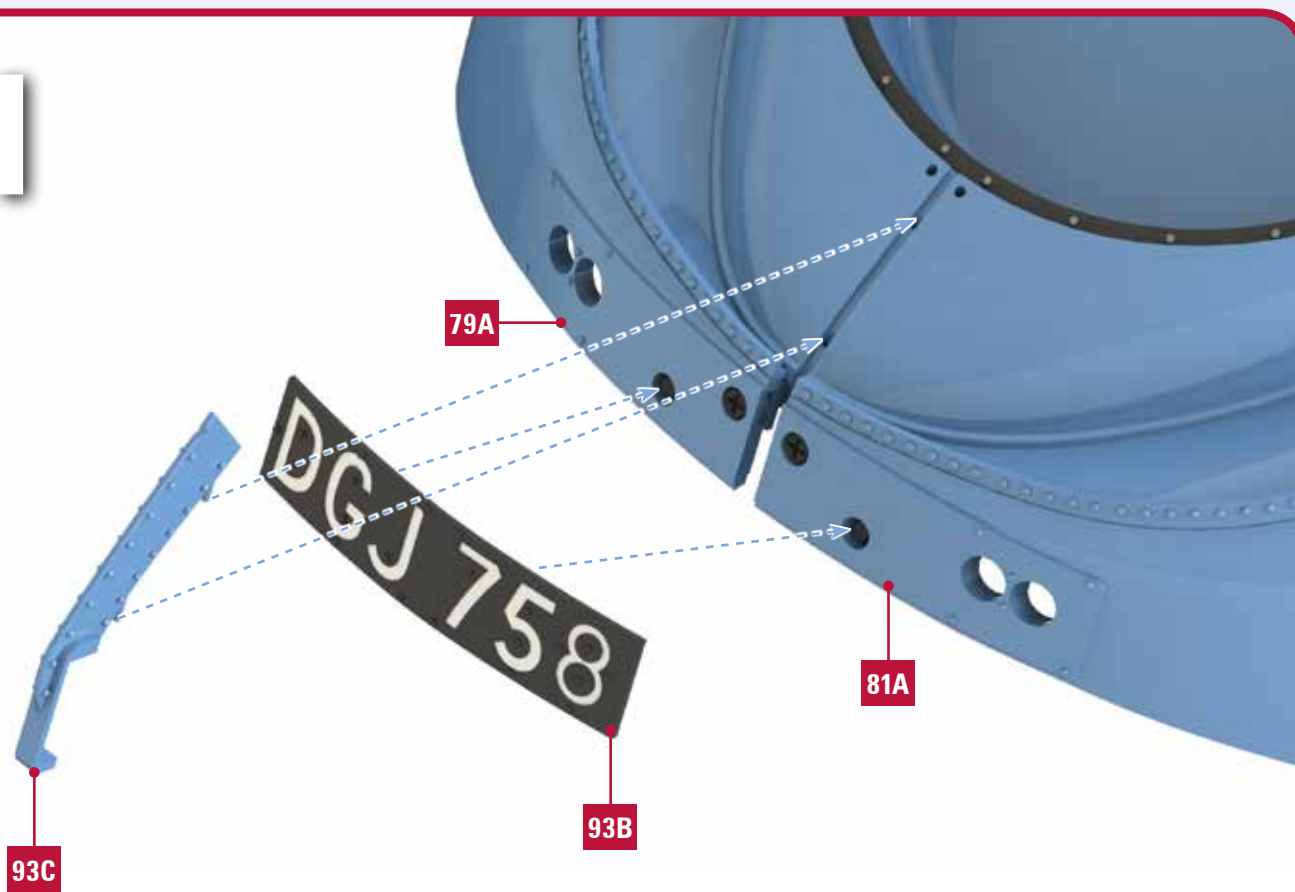


- 93A Roof bone
- 93B Rear license plate
- 93C Top rear rib
- 93C Left rear light
- 93C Right rear light

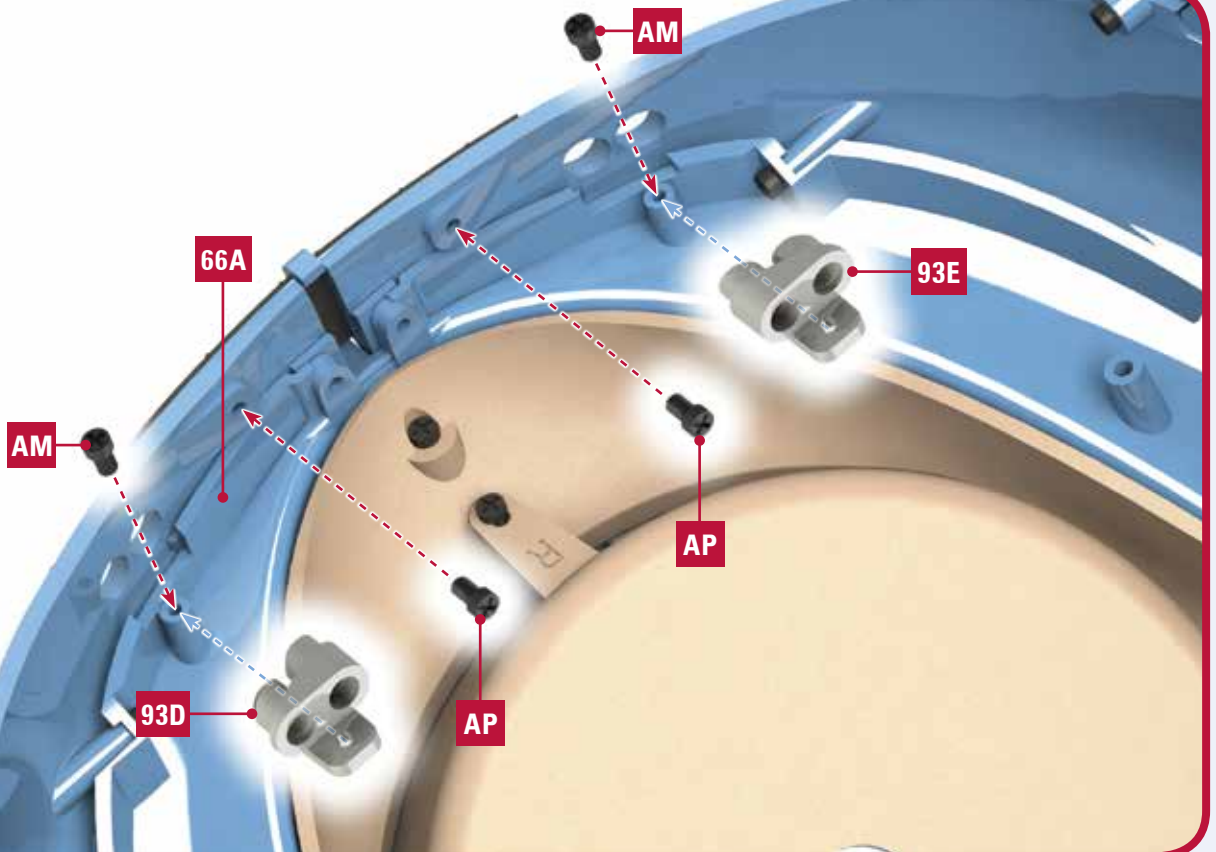
SCREWS

- AM 3 screws
- AP 3 screws

1



2



FINAL RESULT



94 PARTS LIST

94A



94B



94C (X28)



94D (X14)



94E



94F



94G



CM (x4)

DP (x2)

- 94A** Inner wheel A
- 94B** Inner spoke holder
- 94C** Spoke A (x28)
- 94D** Spoke B (x14)

- 94E** Inner wheel B
- 94F** Biadhesive stripe A (x40)
- 94G** Biadhesive stripe B (x40)

- SCREWS**
- CM** 4 screws
 - DP** 2 screws

FINAL RESULT

Refer to the instructions for kit 14.



94/1 PARTS LIST

94A



94B



94C



94D



94E



SM (x4)



TM (x4)

- 94A** Spoke holder A
- 94B** Spoke holder B
- 94C** Spoke A

- 94D** Outer wheel
- 94E** Inner wheel

- SCREWS**
- SM** 4 screws
 - TM** 4 screws

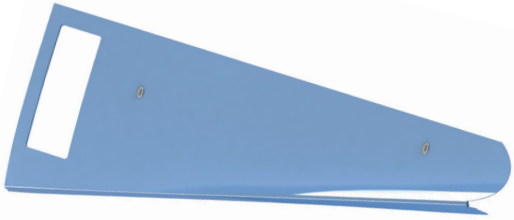
FINAL RESULT

Refer to the instructions for kit 14/1.



95 PARTS LIST

95A



95B



ZM (x4)

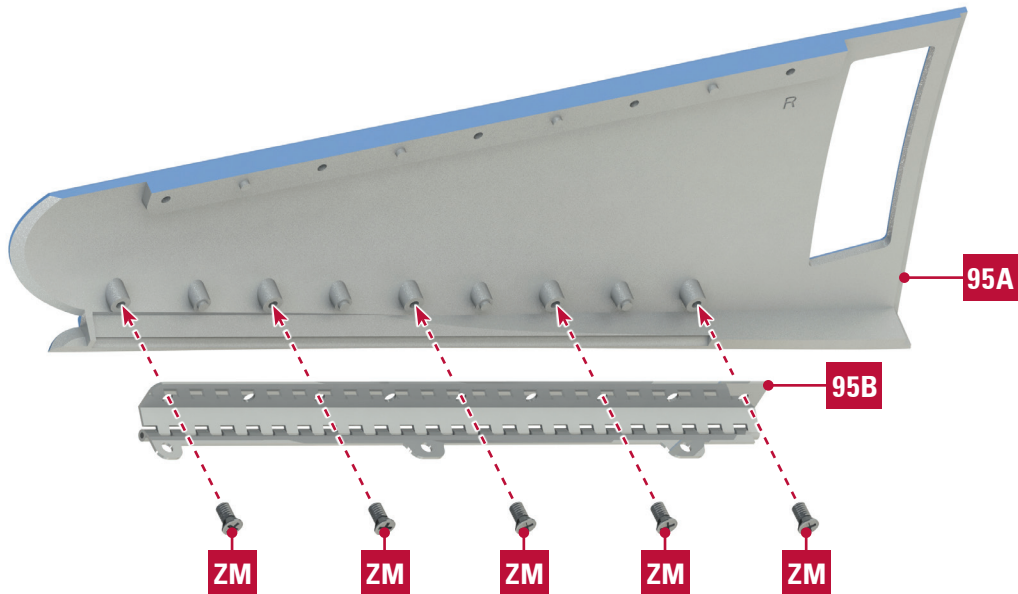
95A Right upper engine hood

95B Right engine hood hinge

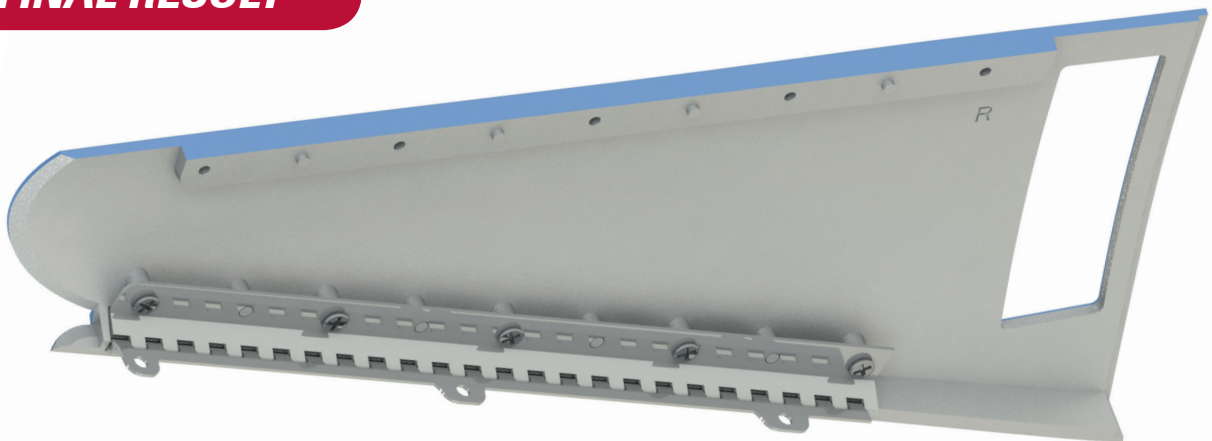
SCREWS

ZM 4 screws

1



FINAL RESULT



96 PARTS LIST



- 96A** Inner wheel
- 96B** Outer wheel
- 96C** Outer spoke holder
- 96D** Spoke C (x14)
- 96E** Spoke D (x14)
- 96F** Biadhesive strip (x20)

SCREWS**CM** 8 screws**KM** 4 screws**FINAL RESULT**

Refer to the instructions
for kit 15.



96/1 PARTS LIST

96A



96B



96C



96D



96E



96F



 **CM (x8)**

 **ZM (x4)**

 **TM (x4)**

- 49A** Spoke holder C
- 49B** Spoke holder D
- 49C** Spoke B
- 49D** Inner wheel
- 49E** Inner wheel B
- 49F** Spoke holder D cap

SCREWS

CM 8 screws

ZM 4 screws

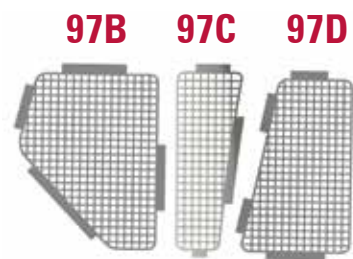
TM 4 screws

FINAL RESULT

Refer to the instructions for kit 15/1.



97 PARTS LIST

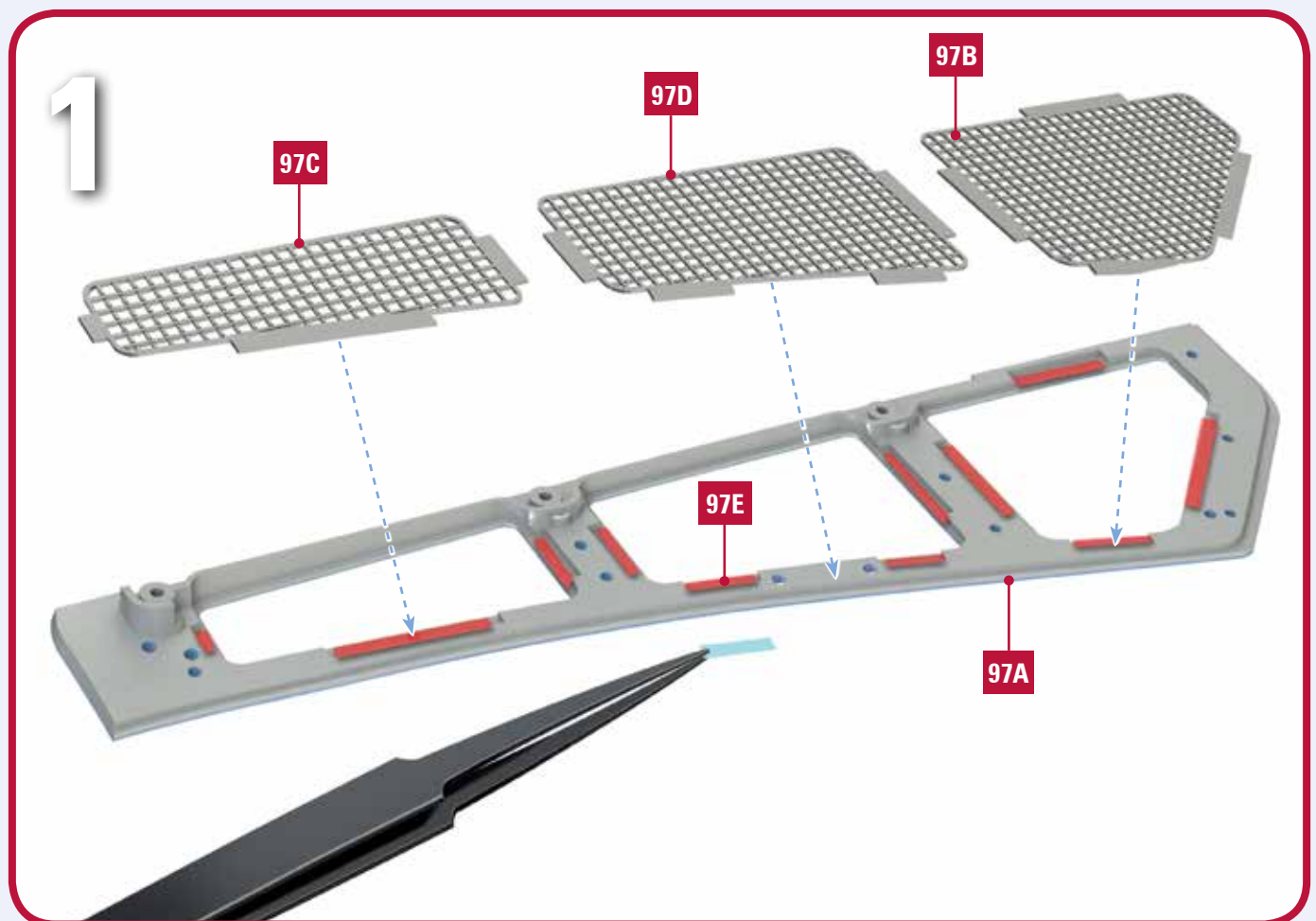


ZM (x4)

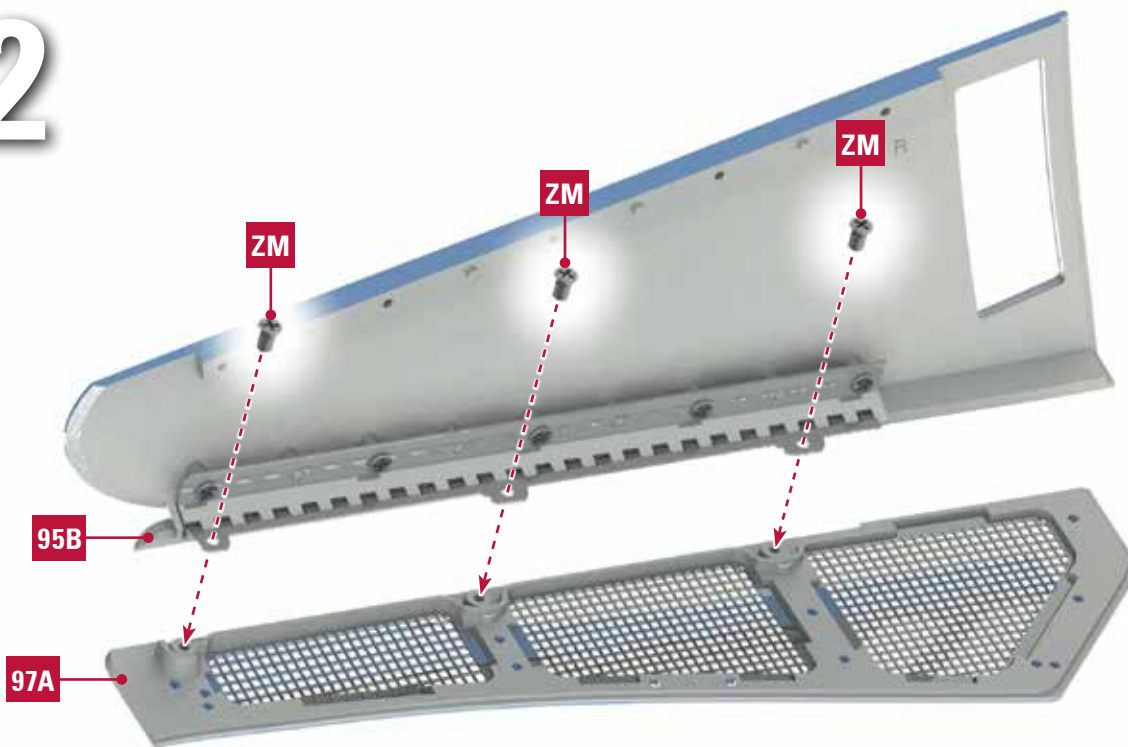
- 97A** Right lower engine hood
- 97B** Right vent A
- 97C** Right vent B
- 97D** Right vent C
- 97E** Biadhesive strips

SCREWS

ZM 4 screws



2



FINAL RESULT



98 PARTS LIST

98A



98A Tire

1

Soak tire 98A for 30 seconds in hot water to soften it. Once removed from water carefully dry the tire, especially inside.



FINAL RESULT



98/1 PARTS LIST

98A



98A Tire

1

Soak tire 98A for 30 seconds in hot water to soften it. Once removed from water carefully dry the tire, especially inside.

98A



96A

FINAL RESULT



99 PARTS LIST

99A



99B



99C



99D



99E



99F



99G



AM (x?)



ZM (x?)



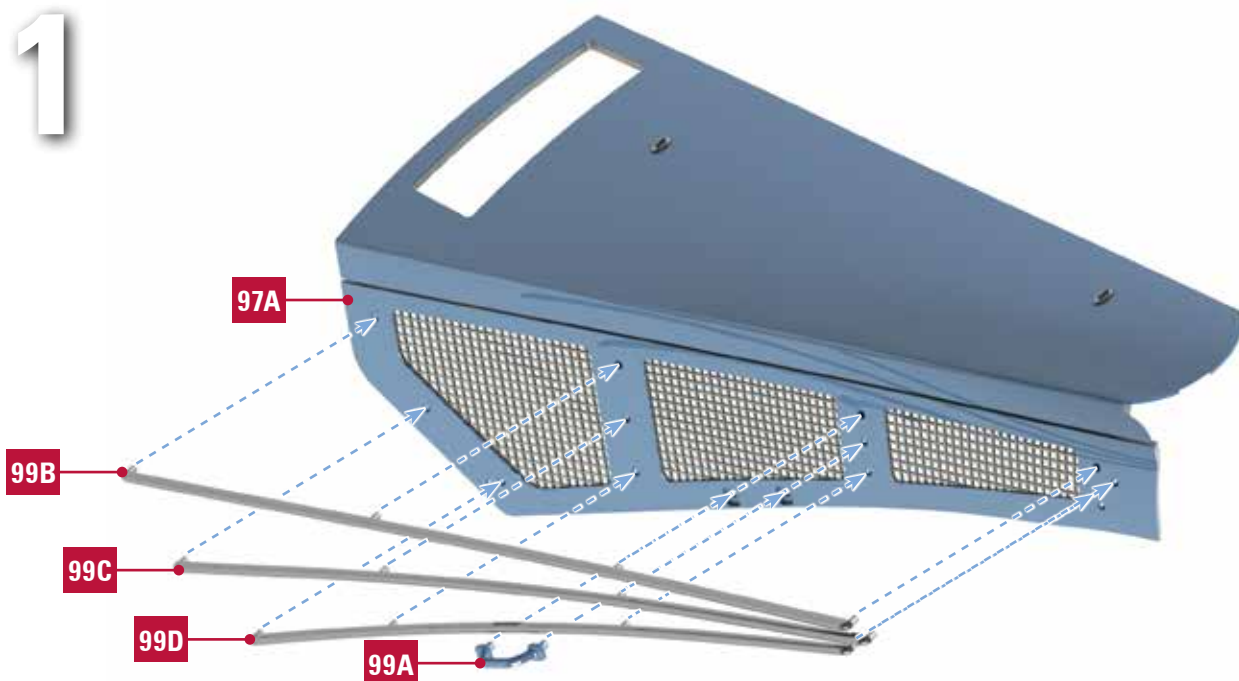
AAM (x?)

- 99A** Right engine handle
- 99B** Right lower chrome trims
- 99C** Right middle chrome trims
- 99D** Right upper chrome trims
- 99E** Fire chrome trims left
- 99F** Fire chrome trims right
- 99G** Engine hood hinge

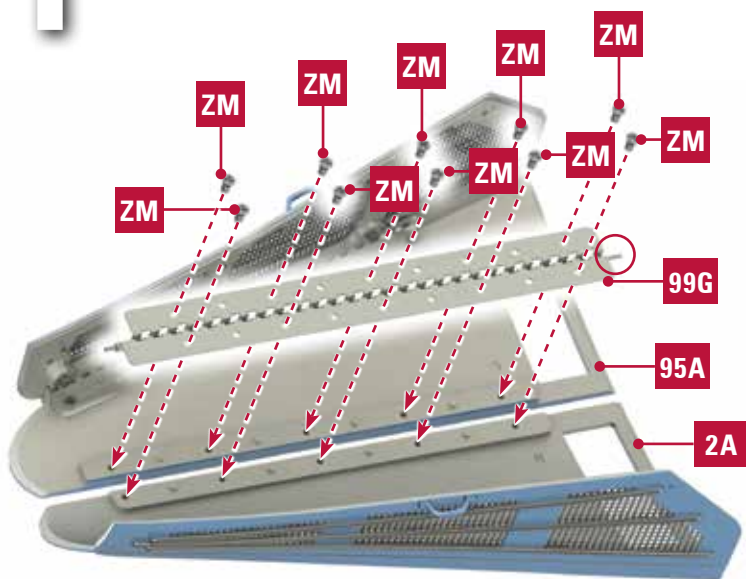
SCREWS

- AM** ? screws
- ZM** ? screws
- AAM** ? screws

1

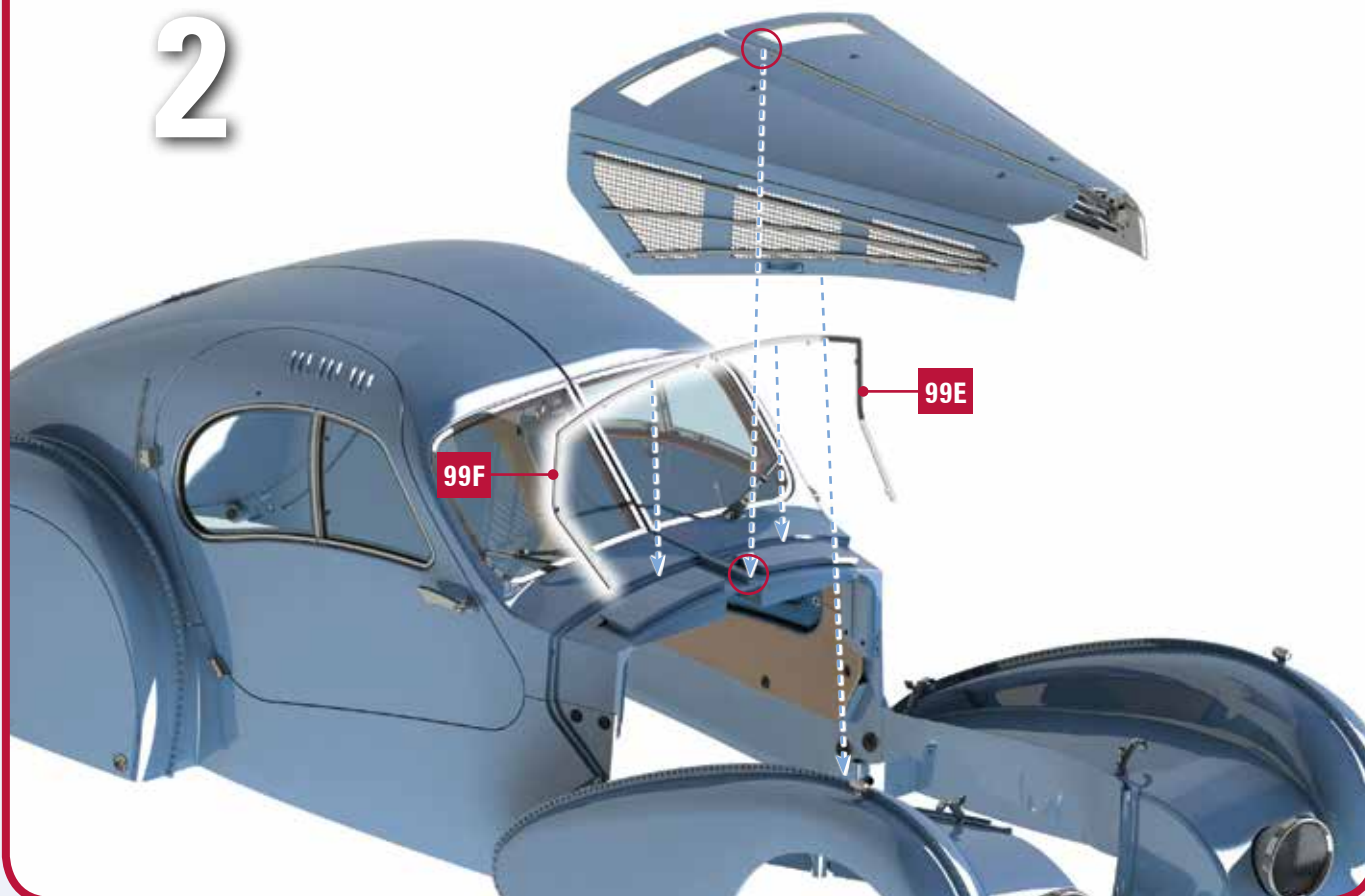


1

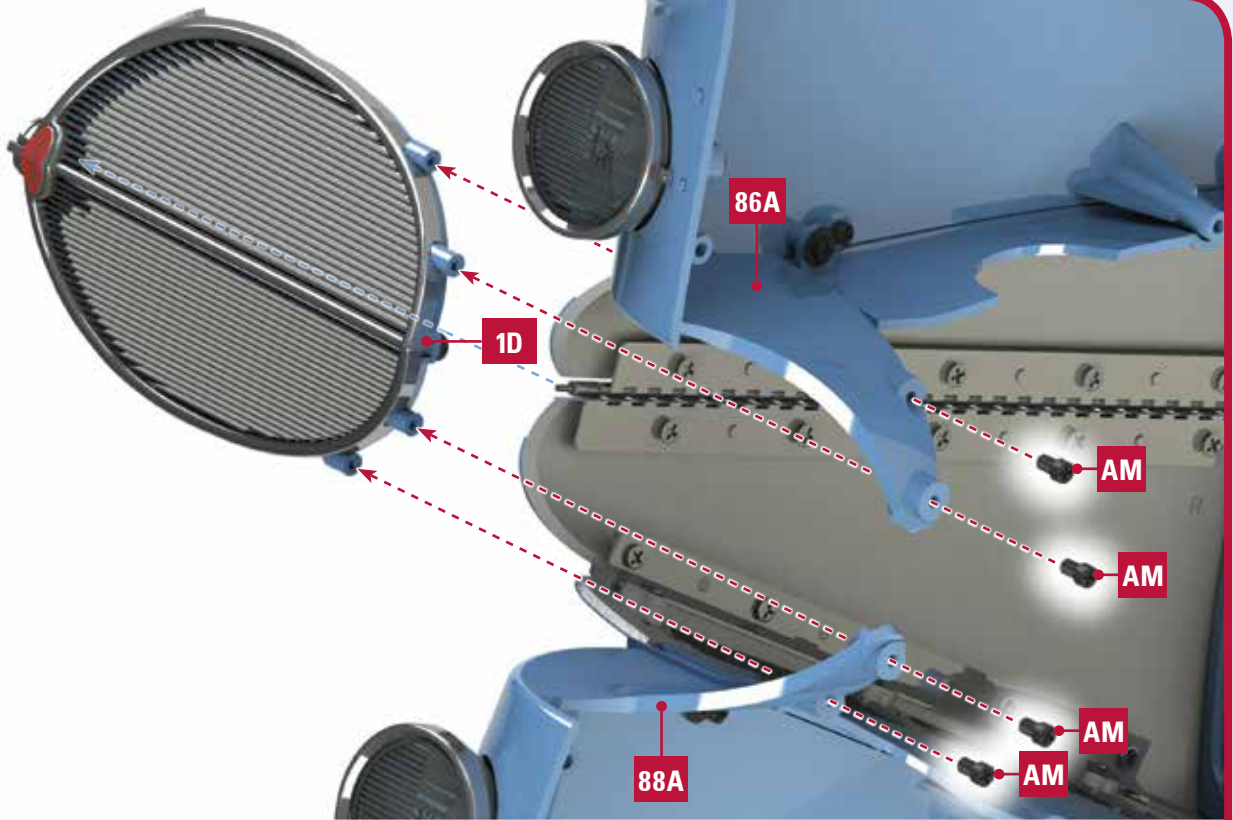


Pay attention to the red circled pin and its final position.

2



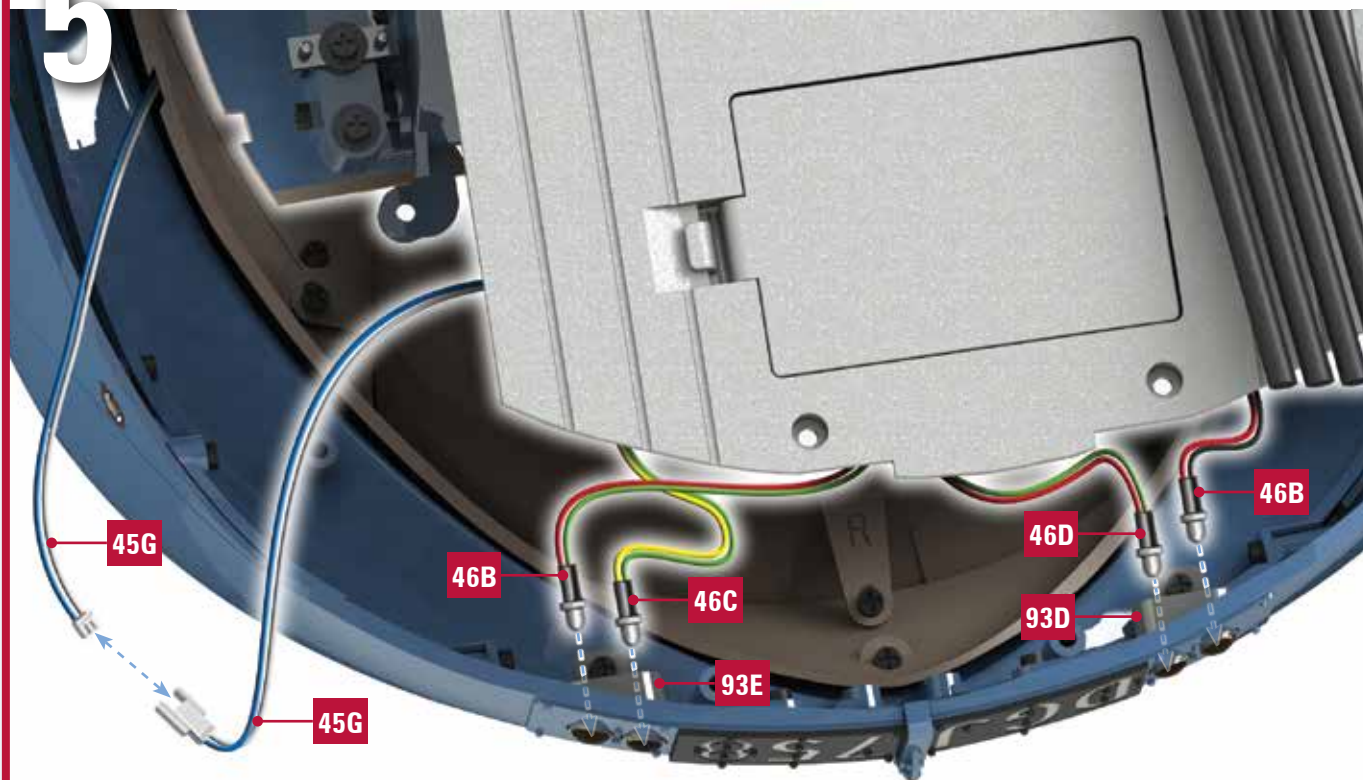
3

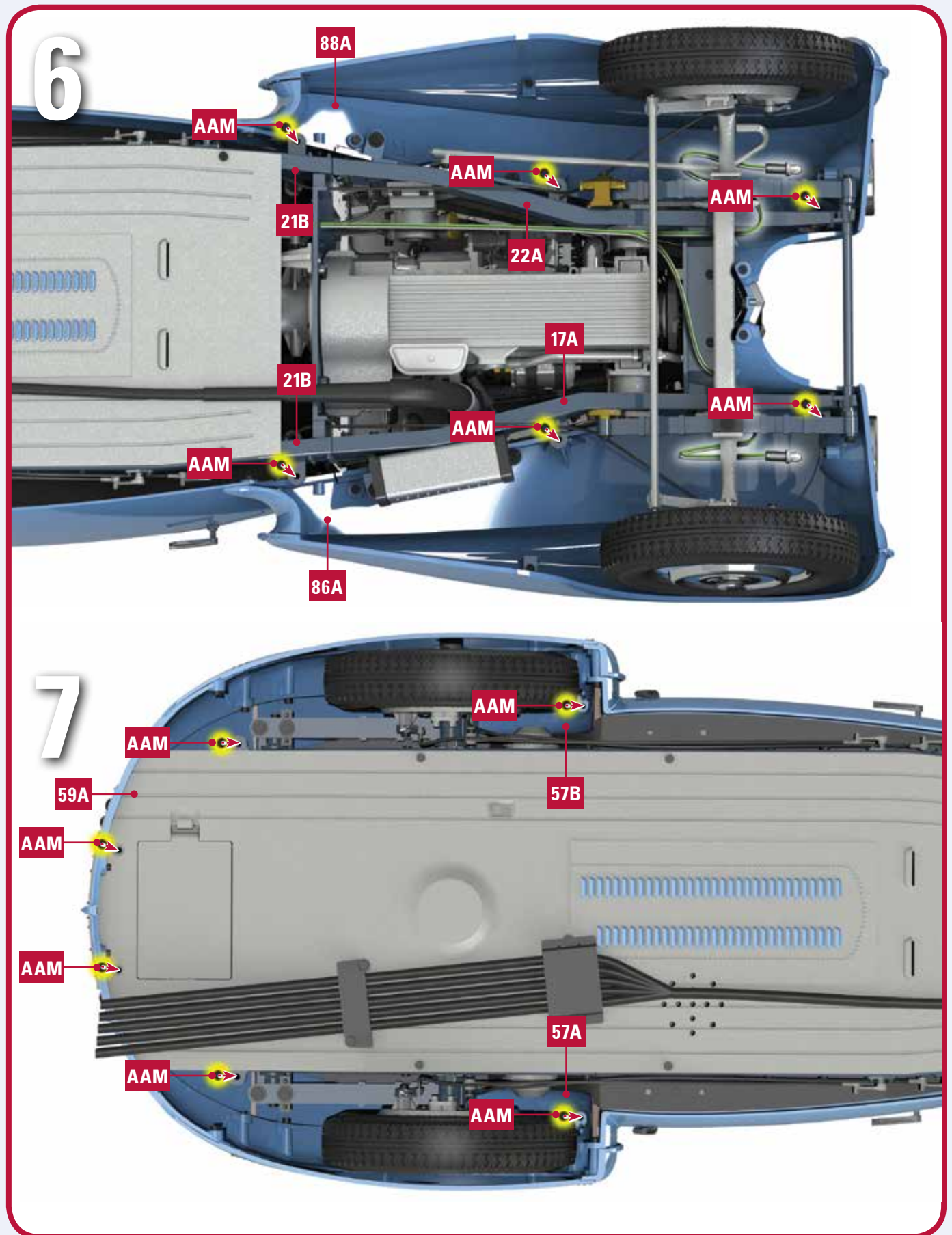


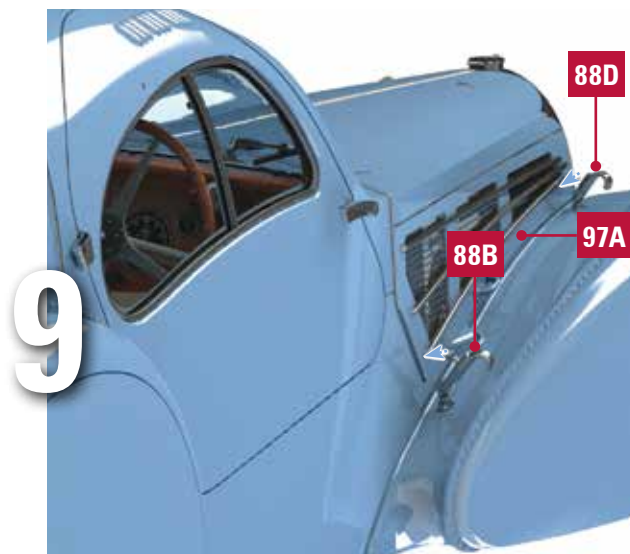
4



5







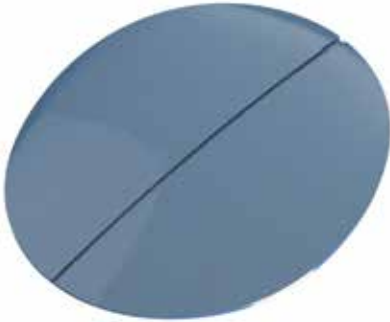
Fix the left hood in the same way.

FINAL RESULT



100 PARTS LIST

100A



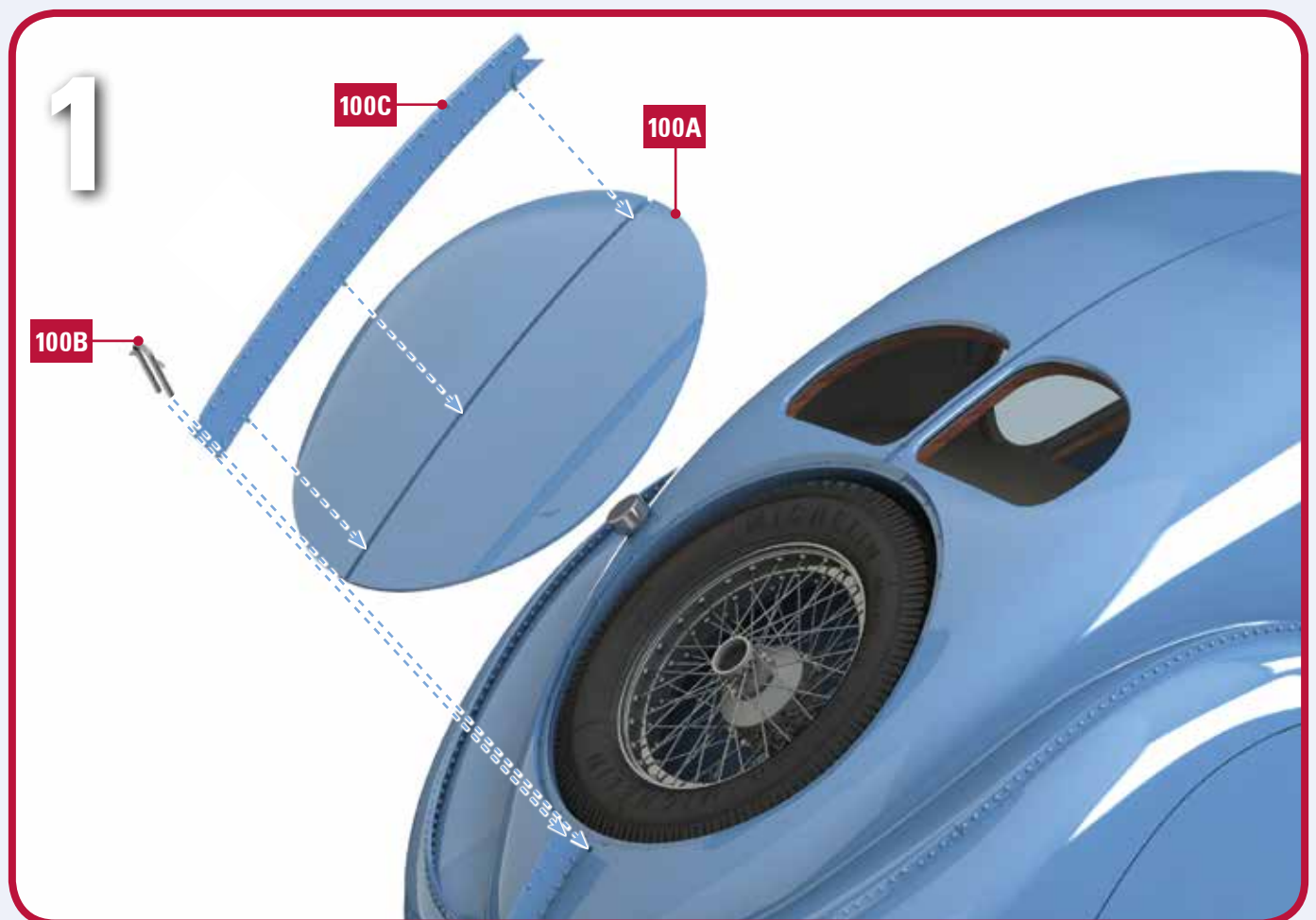
100B

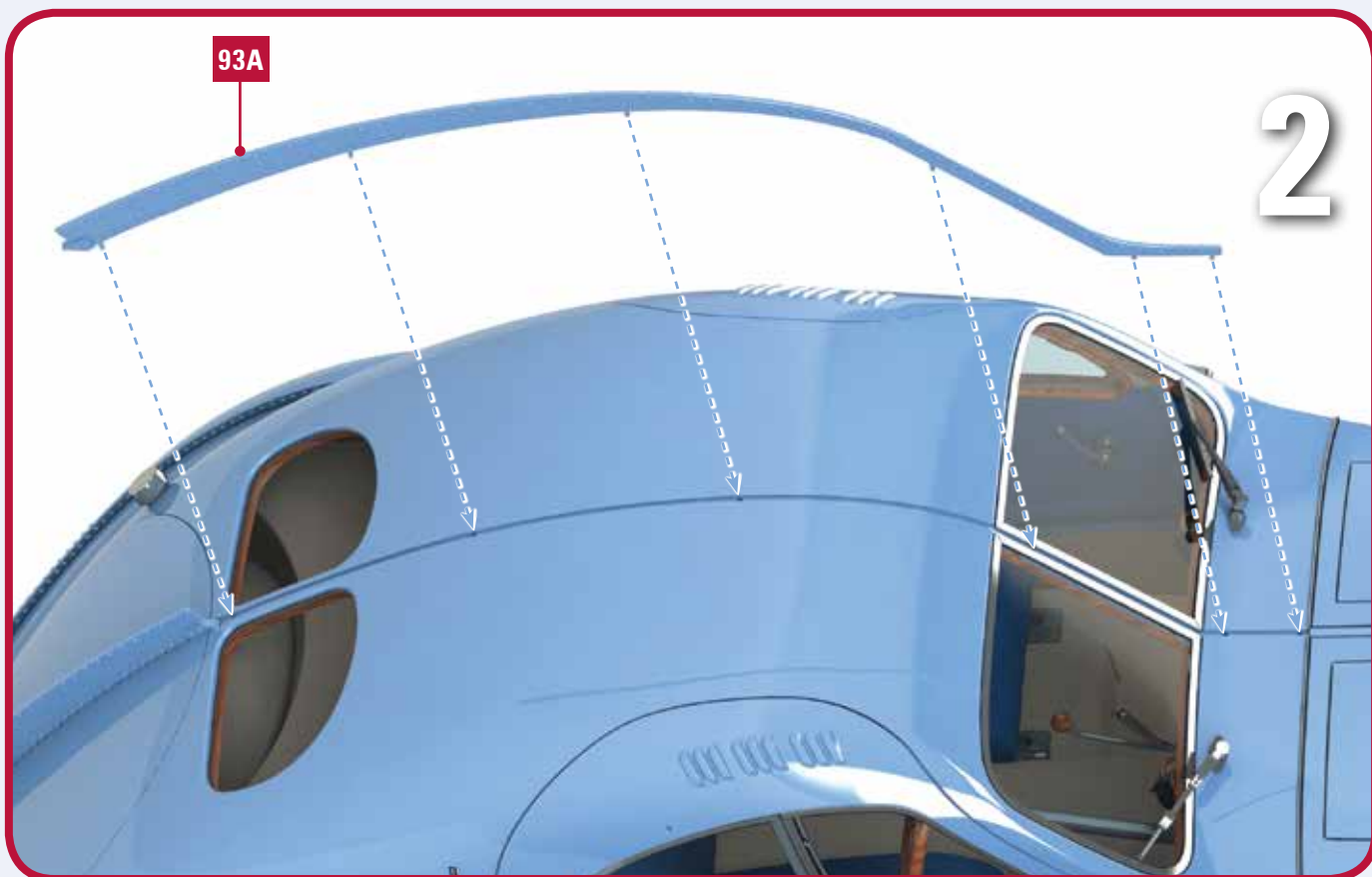


100C



- 100A** Right lower engine hood
- 100B** Right vent A
- 100C** Right vent B





FINAL RESULT

