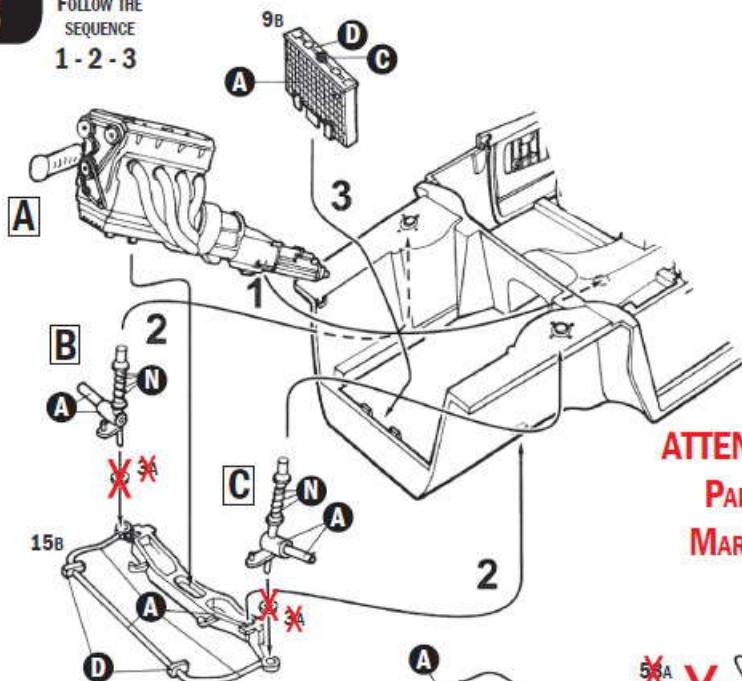


3

FOLLOW THE
SEQUENCE
1 - 2 - 3



ATTENTION - ERRATA CORRIGE:
PARTS AND RELATIVE NUMBERS
MARKED WITH THE RED X ARE NOT
PRESENT IN THE KIT

