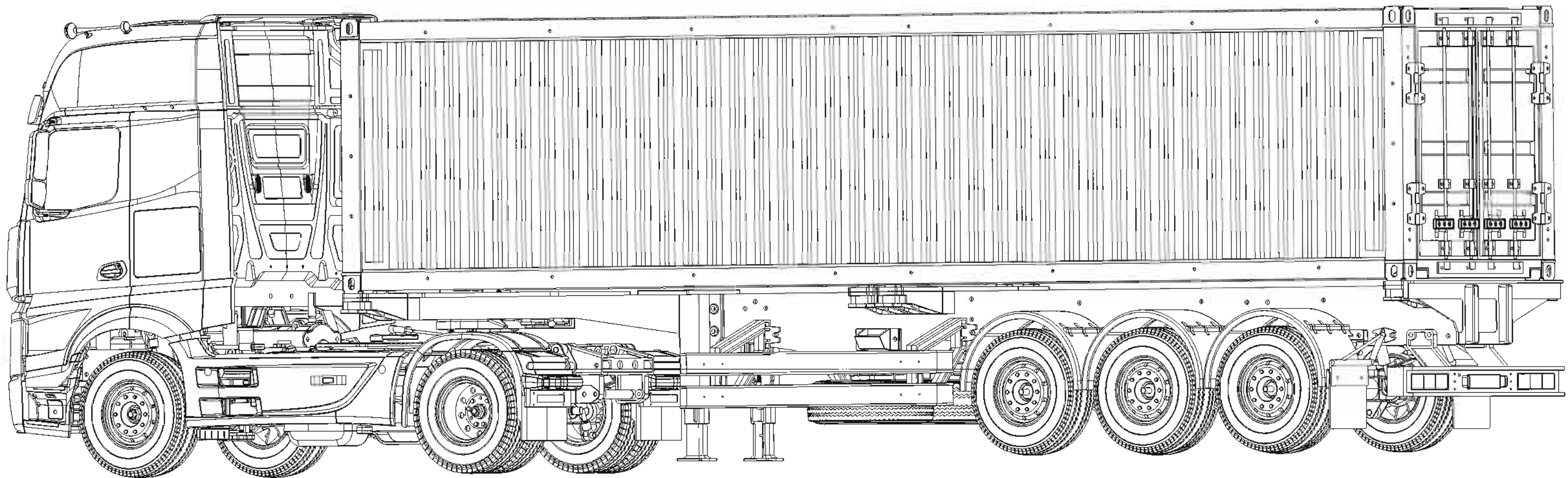
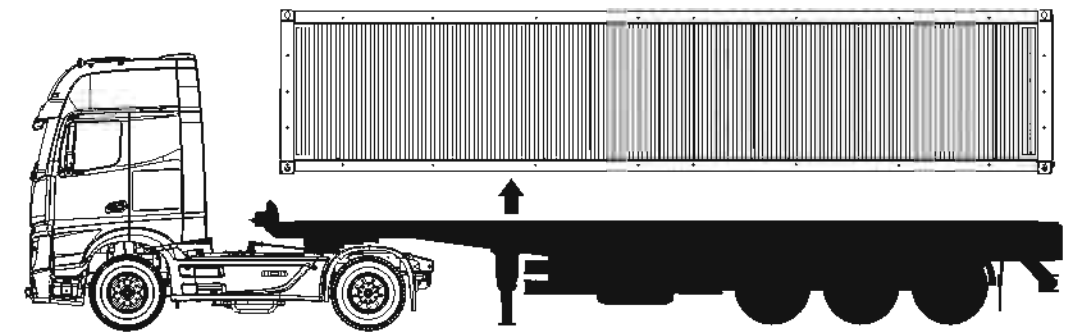


# 40-FOOT CONTAINER

**SEMI-TRAILER for  
1/14 SCALE R/C TRACTOR TRUCK**





## Cautions



\*Never run R/C models on the street.  
 \*Never run R/C models in a crowded area or near children.  
 \*Do not run R/C models in a narrow space.



\*Do not run in water or sand.  
 \*Running R/C models in improper areas may result in an accident causing injury or property damage.

## The proper R/C model operating procedures

\*Always follow the steps below when start and finish operating:

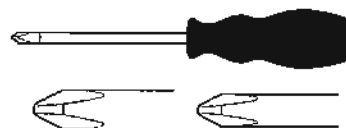
1. Make sure the wheels do not contact the ground before start operating.
2. Check the receiver switch at OFF position.
3. Connect battery pack.
4. Switch on transmitter.
5. Switch on receiver.

\*Opposite sequence to finish operating:

1. Switch off receiver.
2. Switch off transmitter.
3. Disconnect battery pack.

## Tools Need For Assembly

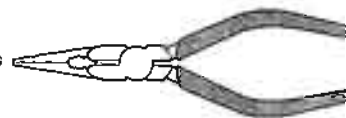
Screwdriver  
(large, small)



Modeling knife



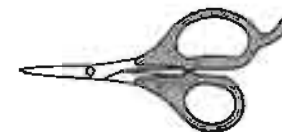
Long nose pliers



Tweezers



scissors



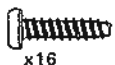
Instant cement



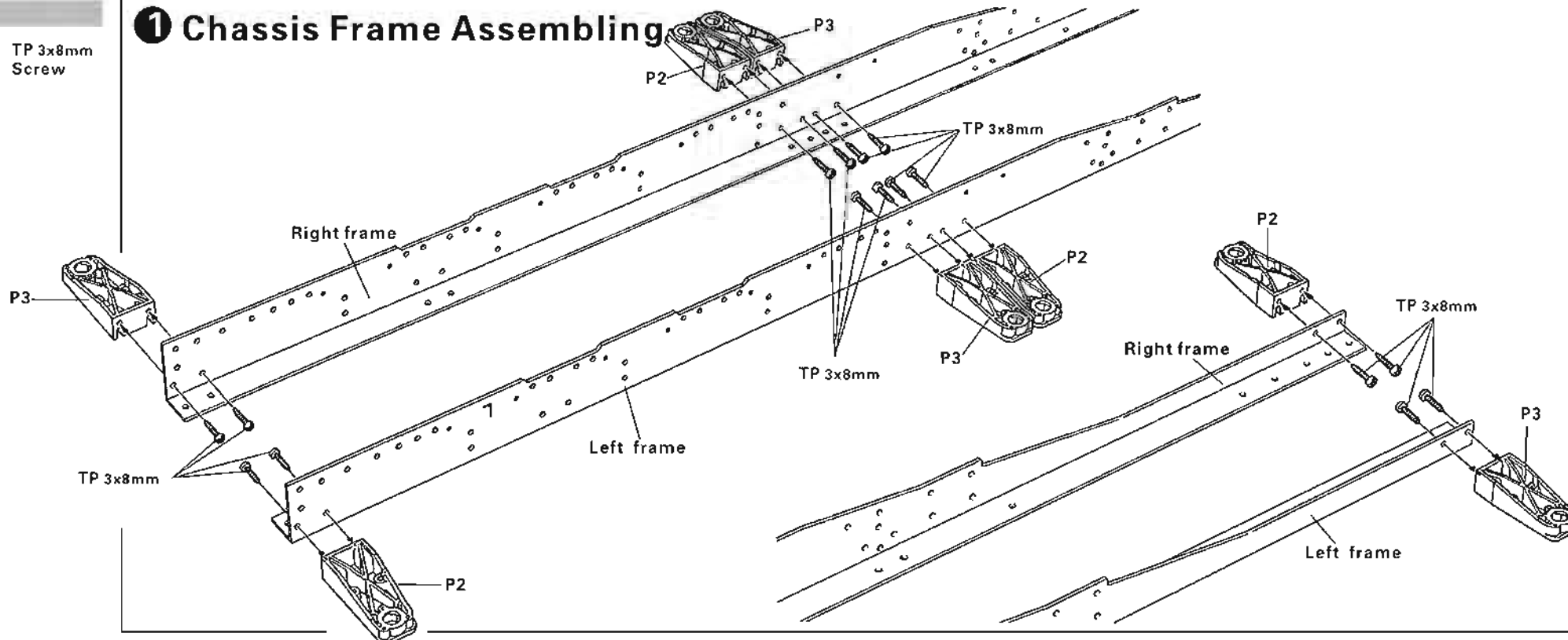
Side cutters



## 1 Chassis Frame Assembling



TP 3x8mm  
Screw  
x16



2

## 2 Attaching Damper

PM 3 x 20mm Screw  
x 6

TP 3 x 8mm Tapping Screw  
x 20

3mm Press nut  
x 6

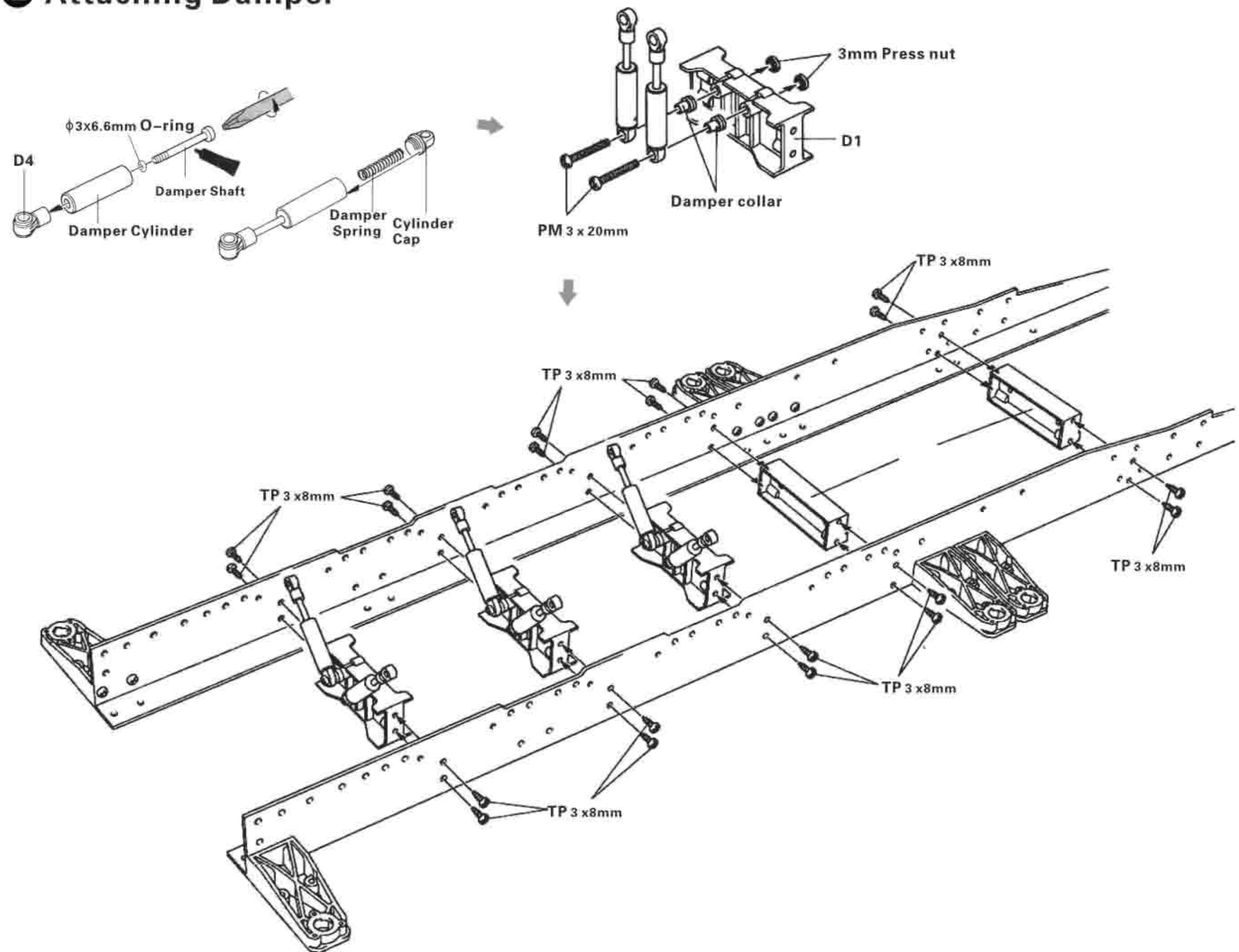
φ3x6.6mm O-ring  
x 6

Damper collar  
x 6

Damper shaft  
x 6

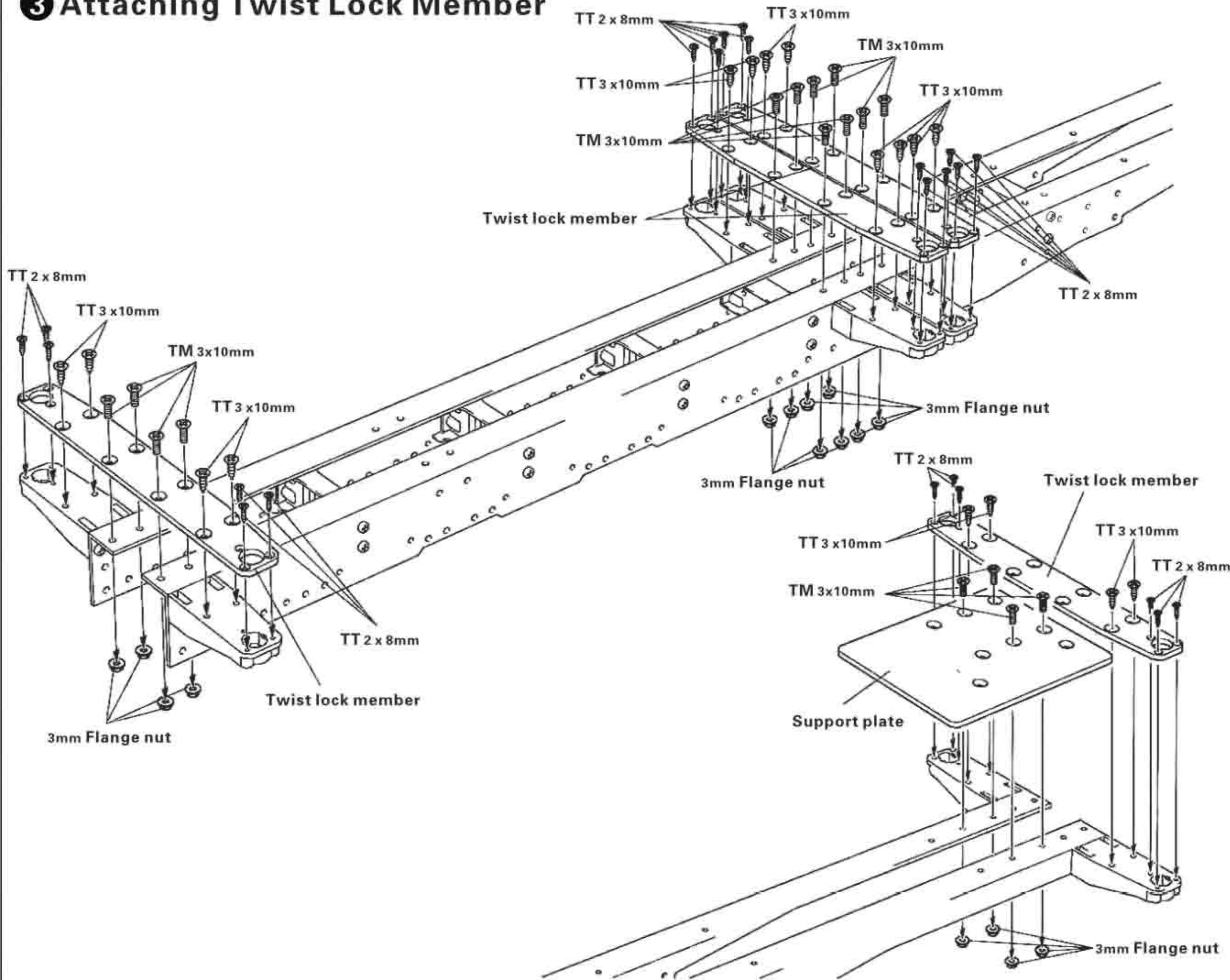
Damper cylinder  
x 6

Damper Spring  
x 6



### 3 Attaching Twist Lock Member

-  TM 3x10mm Screw  
x16
-  TT 3x10mm Tapping Screw  
x16
-  TT 2x8mm Tapping Screw  
x24
-  3mm Flange nut  
x16



# 4 Attaching Suspension Plate

PM 3 x20mm  
Screw  
x4

PM 3 x12mm  
Screw  
x8

PM 3 x8mm  
Screw  
x20

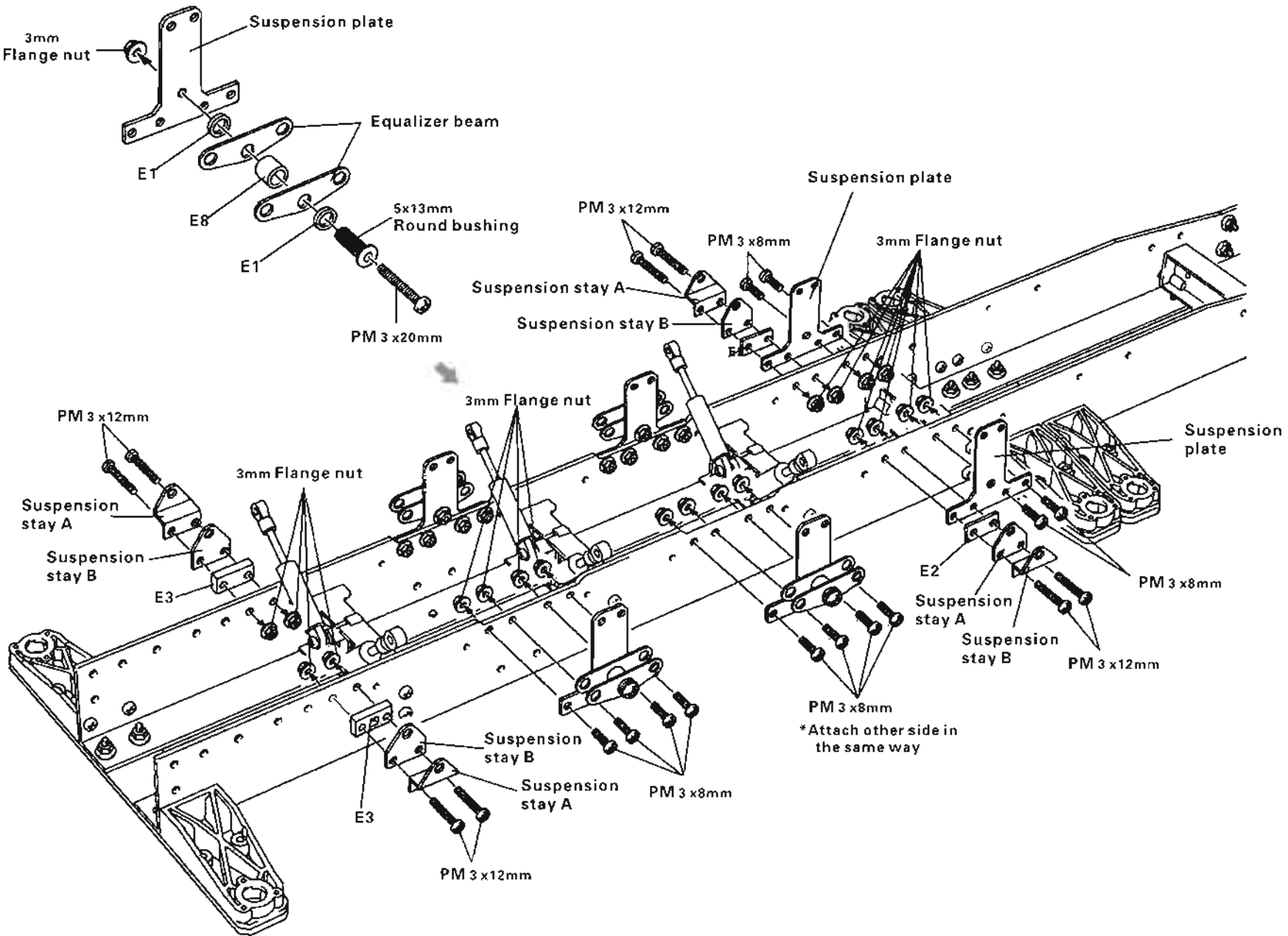
x32 3mm Flange nut

5x13mm  
Round bushing  
x4

x8 Equalizer beam

x4 Suspension stay A

x4 Suspension stay B



**5**

PM 3x28mm Screw  
x 12

PM 3x20mm Screw  
x 3

PM 3x12mm Screw  
x 2

PM 2x6mm Screw  
x 6

TP 2x6mm Tapping Screw  
x 12

3mm Flange nut  
x 5

3mm Lock nut  
x 4

3mm nut  
x 12

2mm nut  
x 6

5mm Washer  
x 12

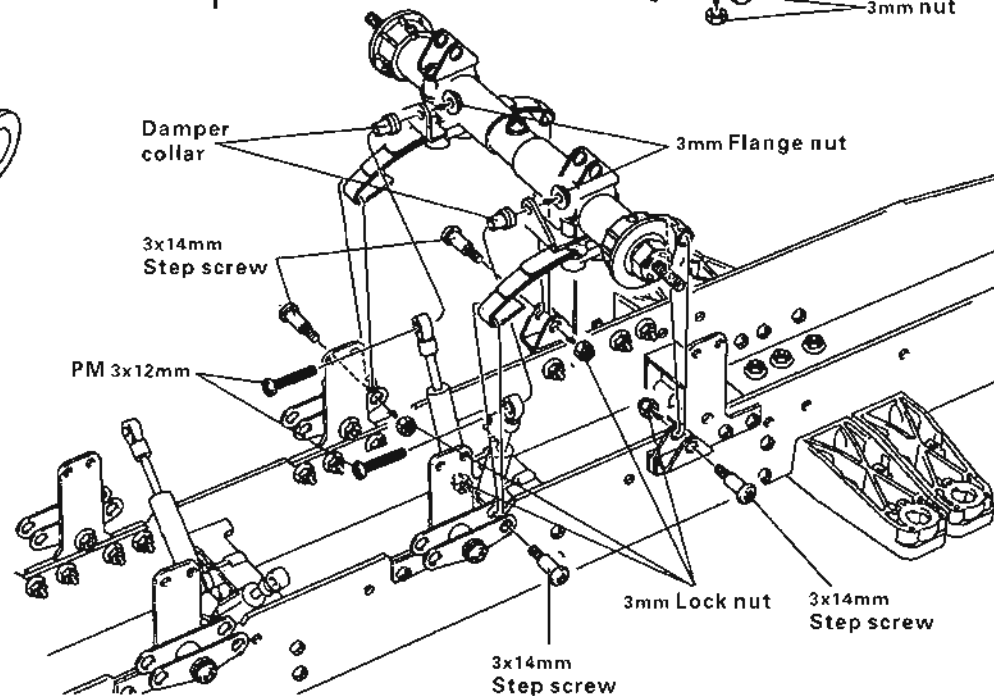
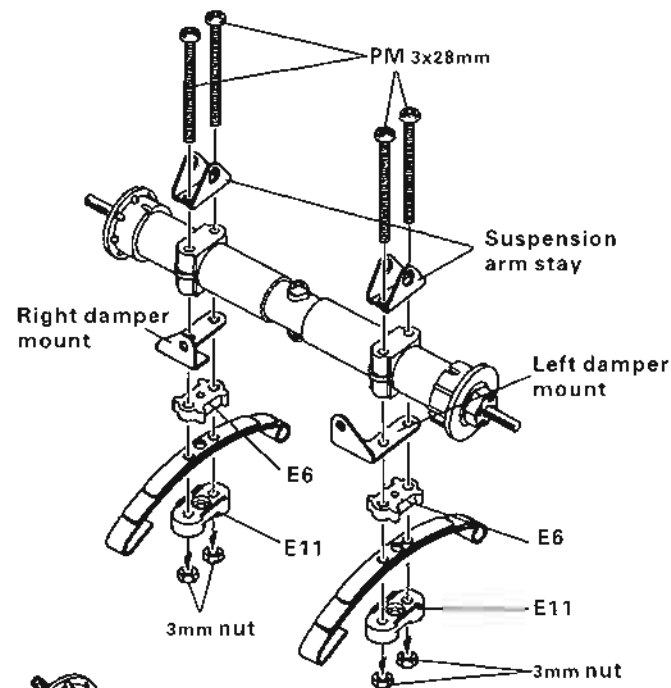
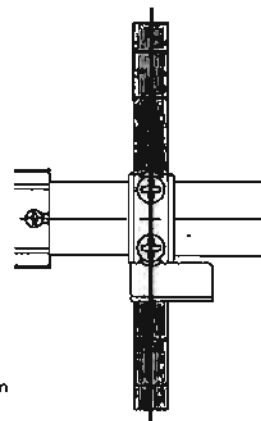
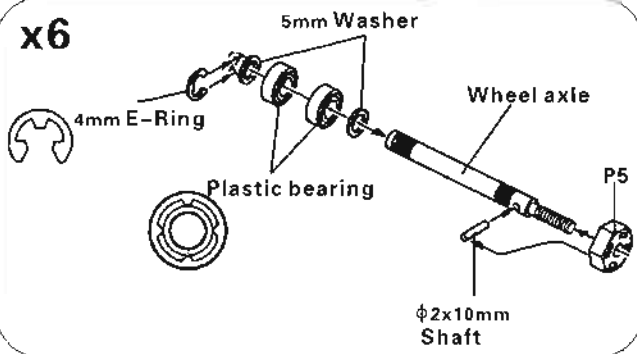
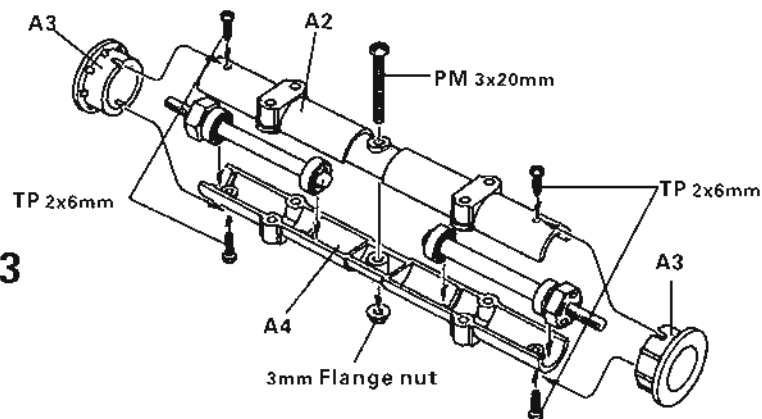
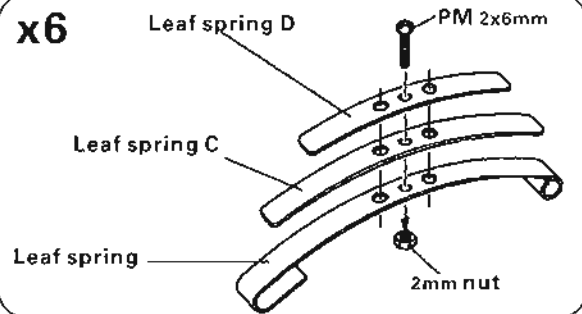
φ2x10mm Shaft  
x 6

3x14mm Step screw  
x 4

Damper collar  
x 2






4mm E-Ring  
x 6

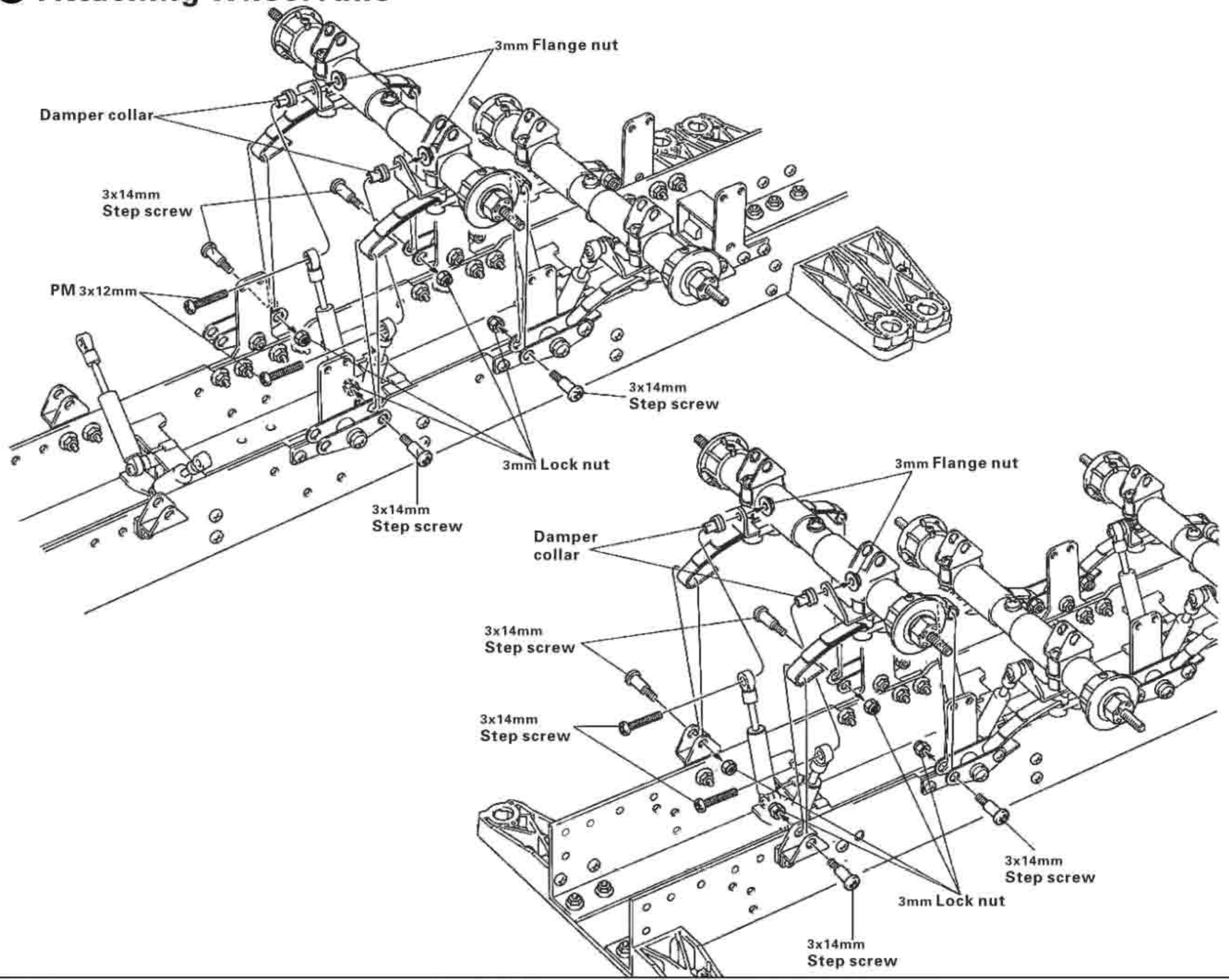
## 5 Wheel Axle Assembling



6




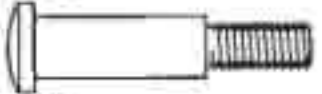
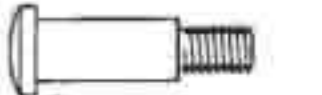

# 6 Attaching Wheel Axle

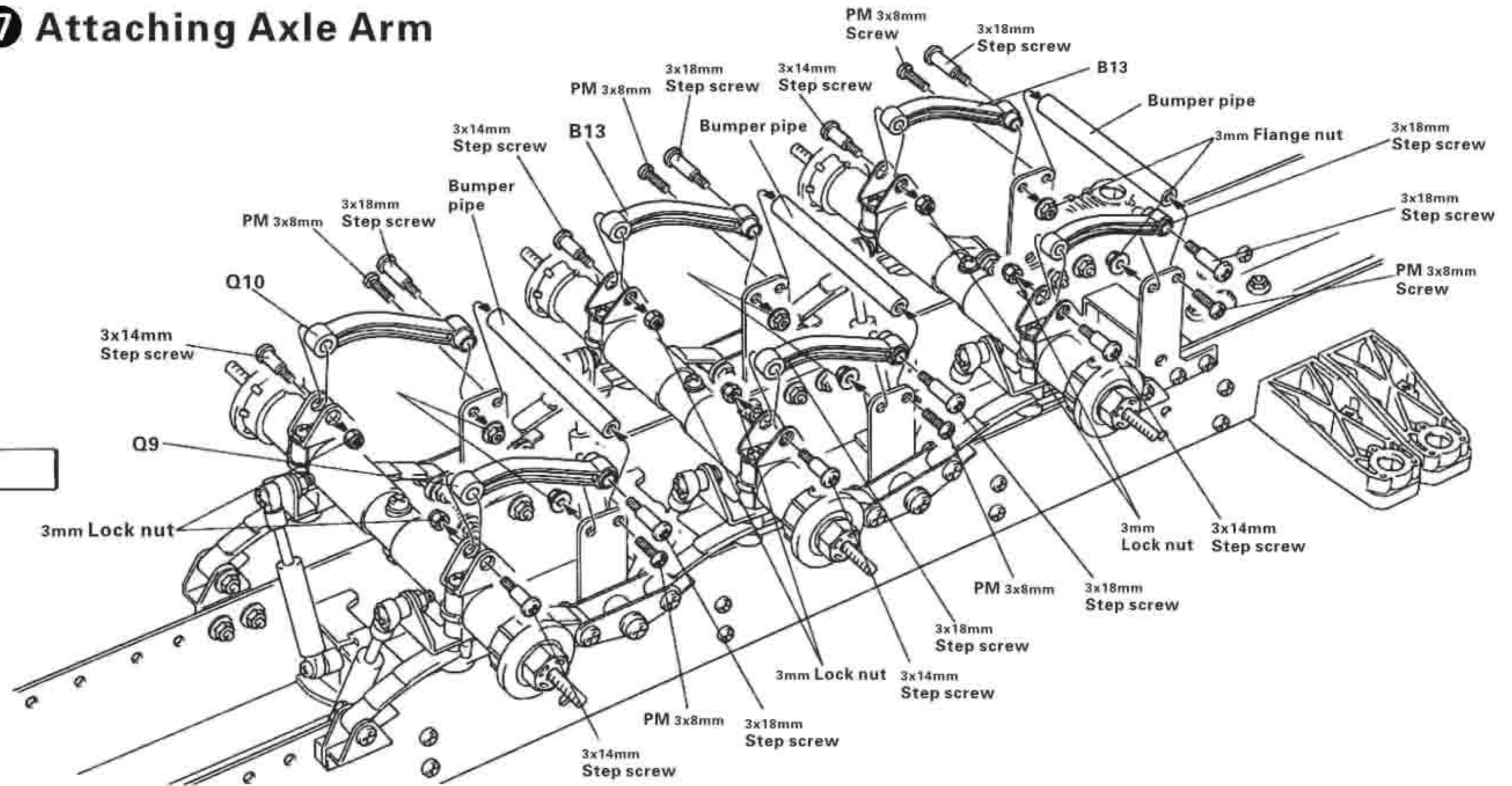
-  PM 3x12mm Screw  
x 4
-  3mm Flange nut  
x 4
-  3mm Lock nut  
x 6
-  3x14mm Step screw  
x 8
-  Damper collar  
x 4





**7**

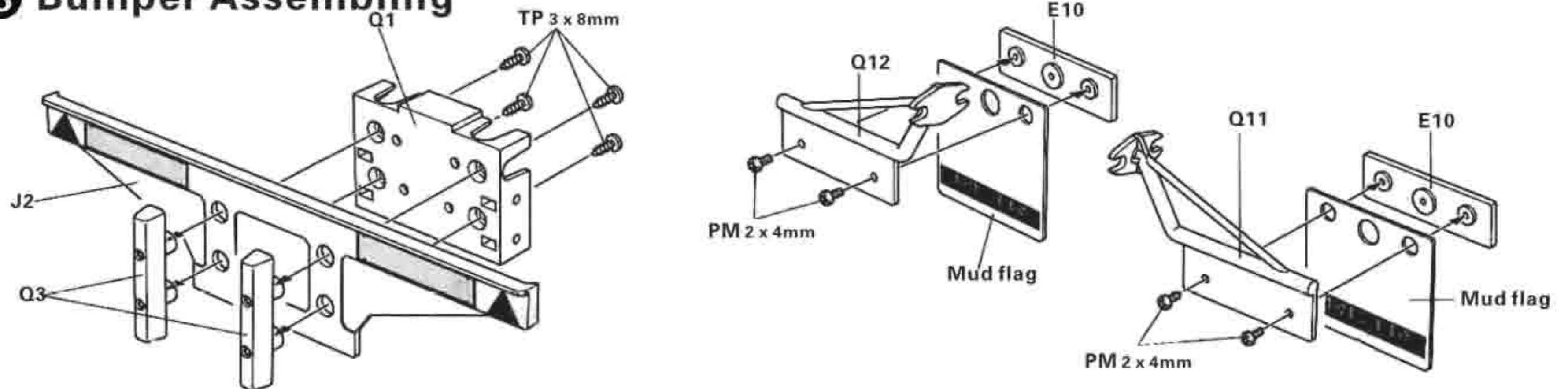
## 7 Attaching Axle Arm

-  PM 3x8mm Screw  
x6
-  3mm Flange nut  
x6
-  3mm Lock nut  
x6
-  3x18mm Step screw  
x6
-  3x14mm Step screw  
x6
-  Bumper pipe  
x3

**8**

## 8 Bumper Assembling

-  TP 3 x 8mm Tapping Screw  
x4
-  PM 2 x 4mm Screw  
x4



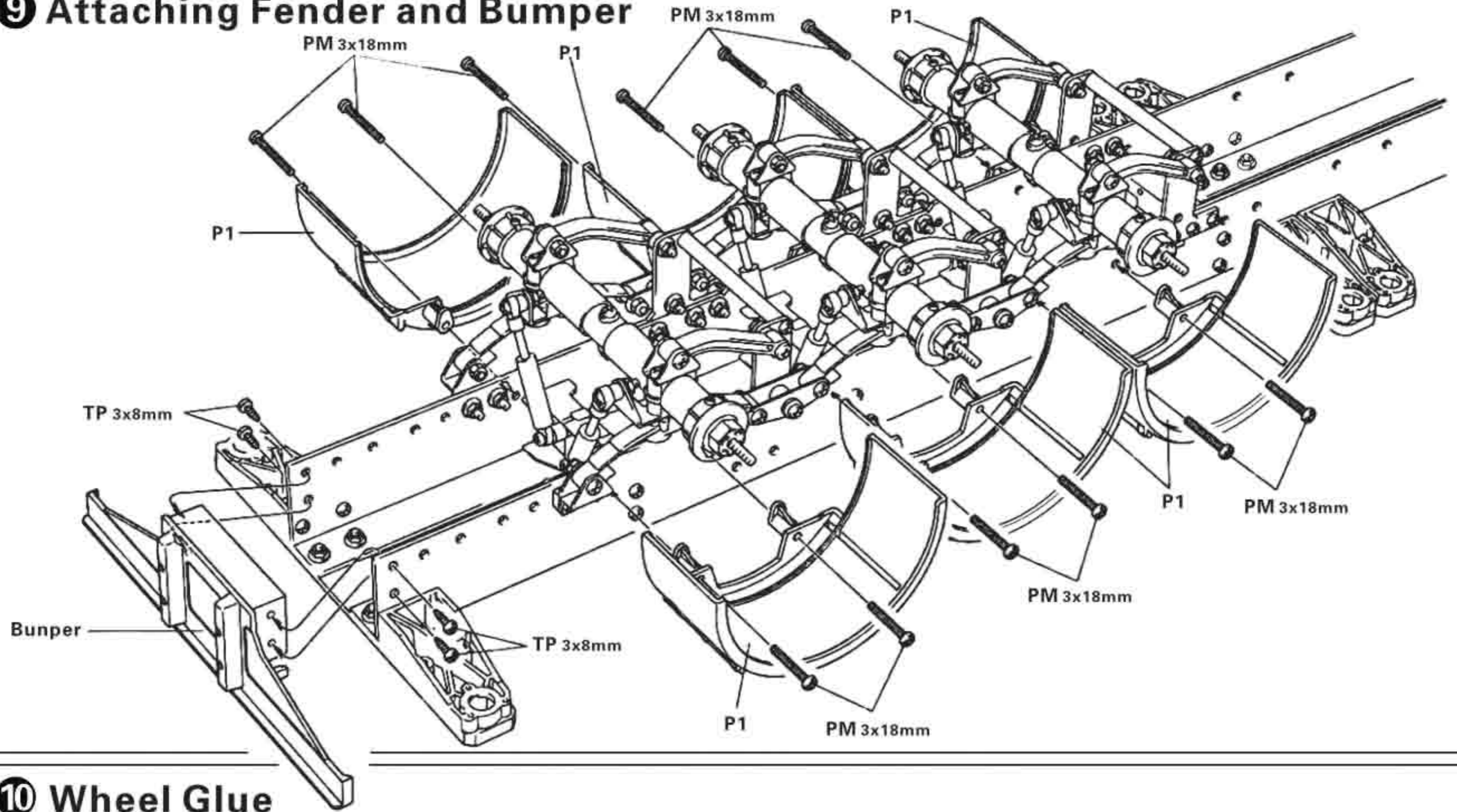


9

### 9 Attaching Fender and Bumper

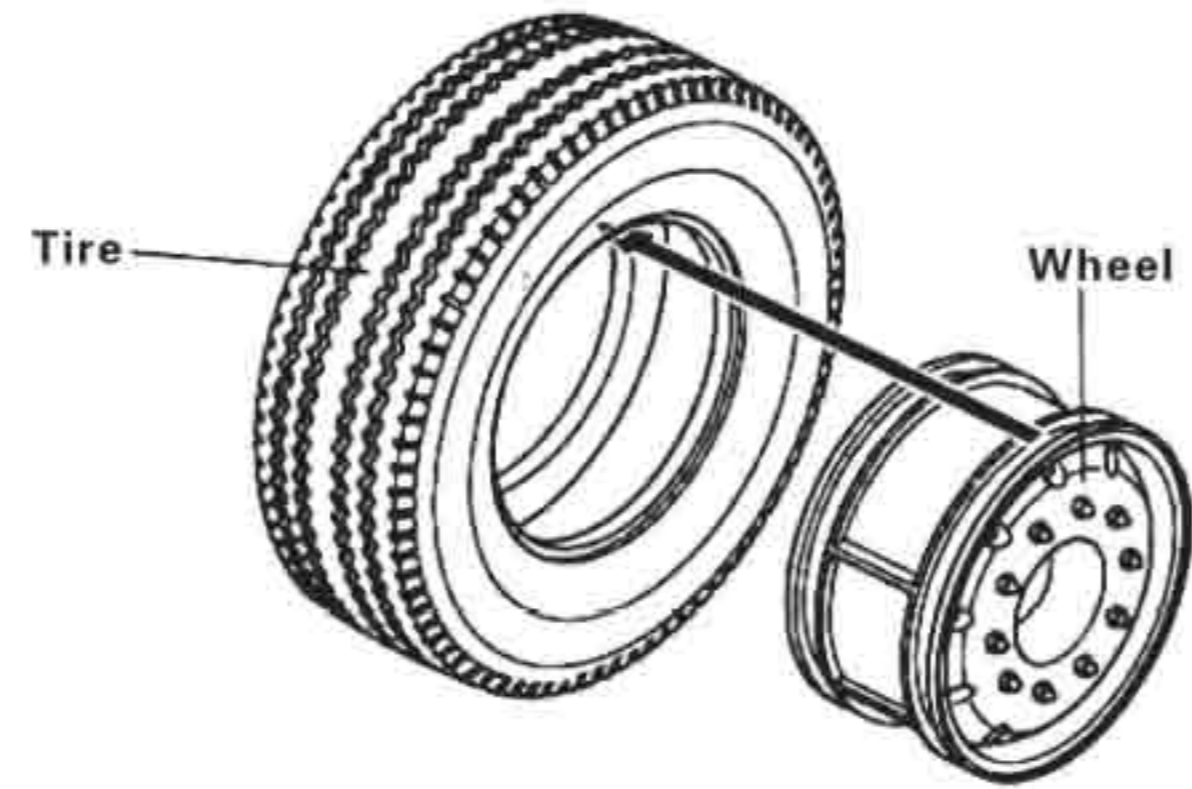
PM 3x18mm  
Screw  
x12

TP 3x8mm  
Screw  
x4



10

### 10 Wheel Glue



x6

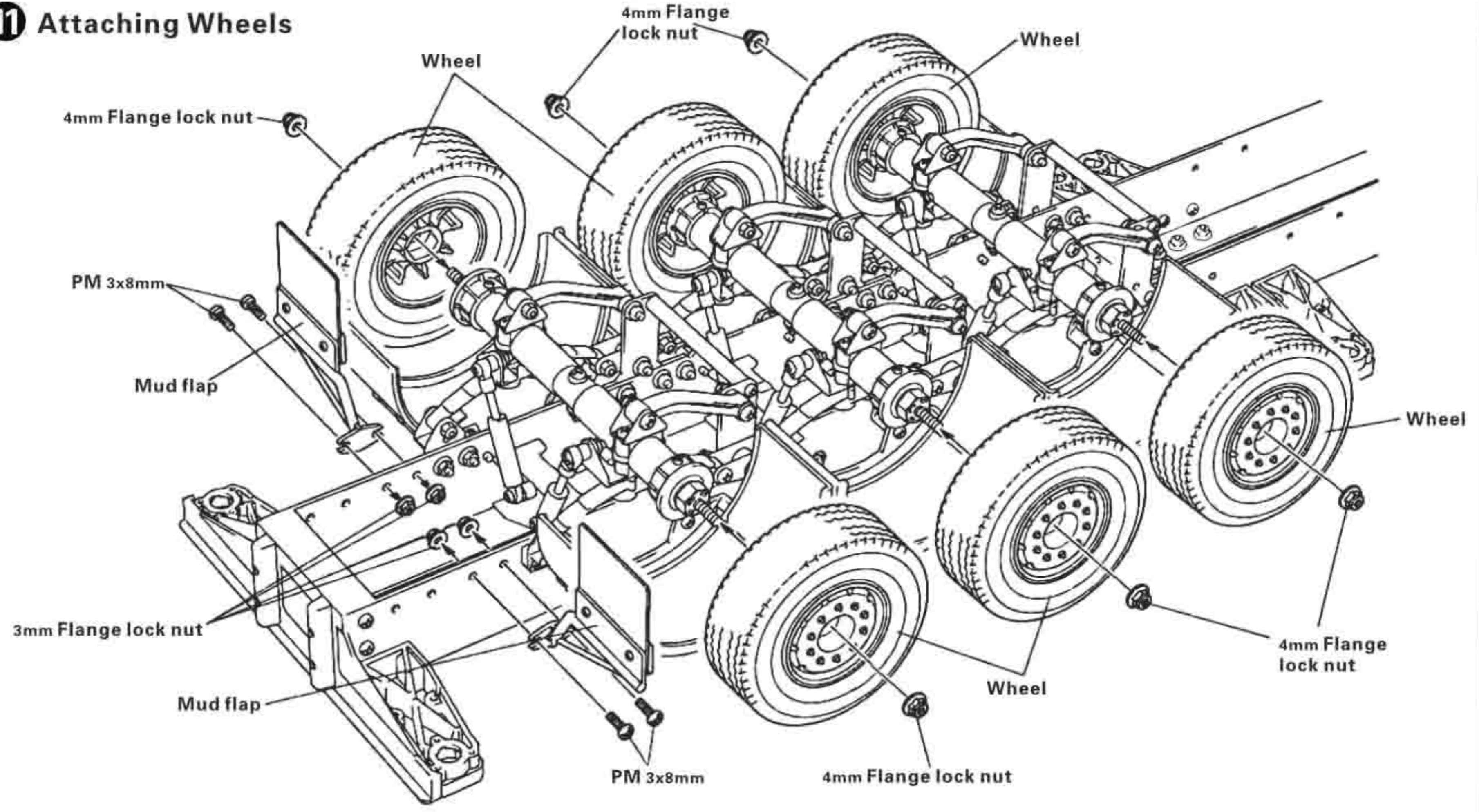


- 11** PM 3x8mm Screw x4

- 4mm Flange lock nut x6

- 3mm Flange lock nut x4

### 11 Attaching Wheels



- 12** HM 2x8mm Screw x2

- TP 2x8mm Screw x6

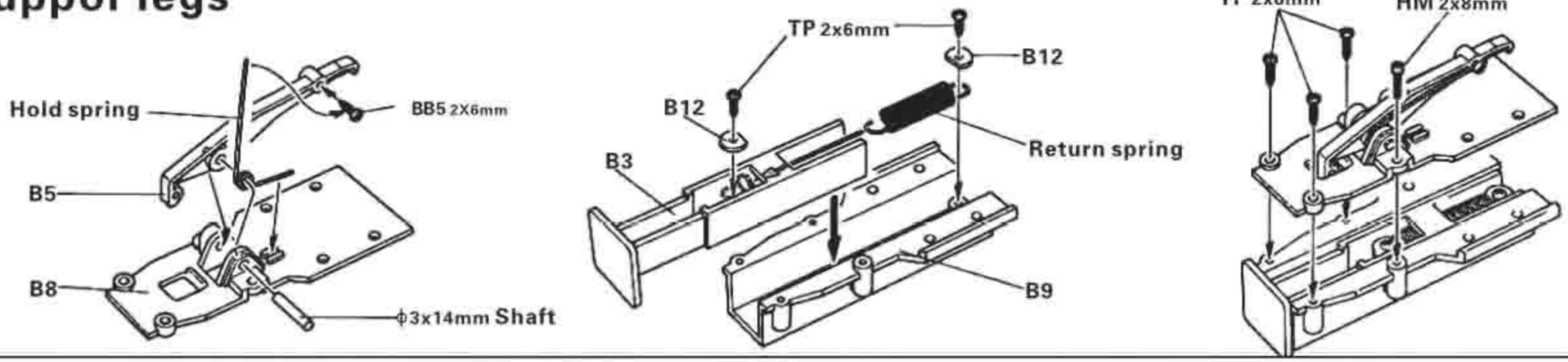
- TP 2x6mm Screw x6

- φ3x14mm Shaft x2



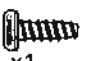
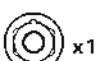


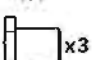

- Hold spring x2

- Return spring x2

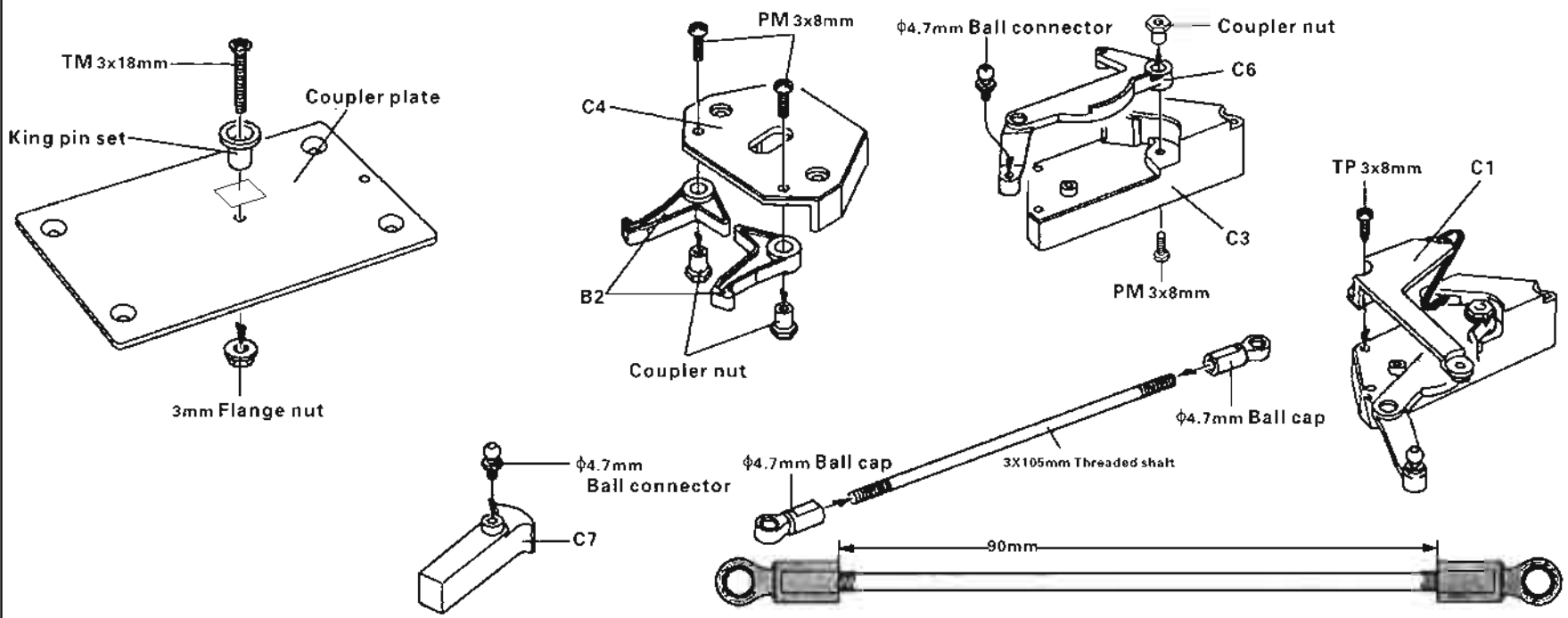
### 12 Support legs



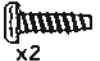
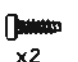
**13**

-  PM 3x8mm Screw x3
-  TM 3x18mm Screw x1
-  TP 3x8mm Screw x1
-  3mm Flange nut x1
-  φ4.7mm Ball connector x2
-  King pin set x1
-  Coupler nut x3
-  φ4.7mm Ball cap x2

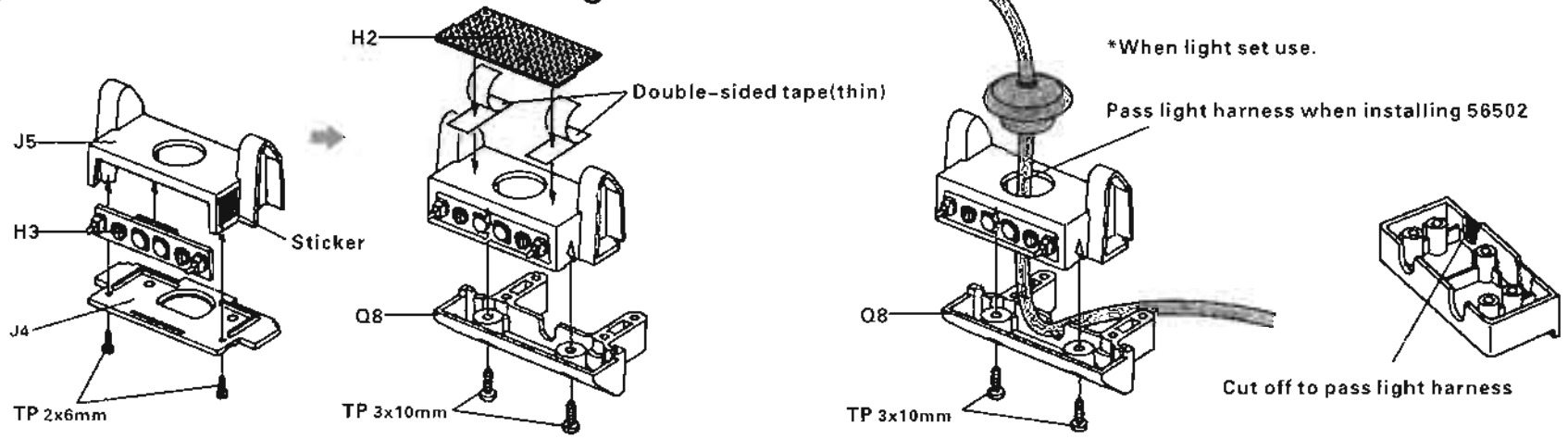
**13 Coupler Plate Assembling**












**14**

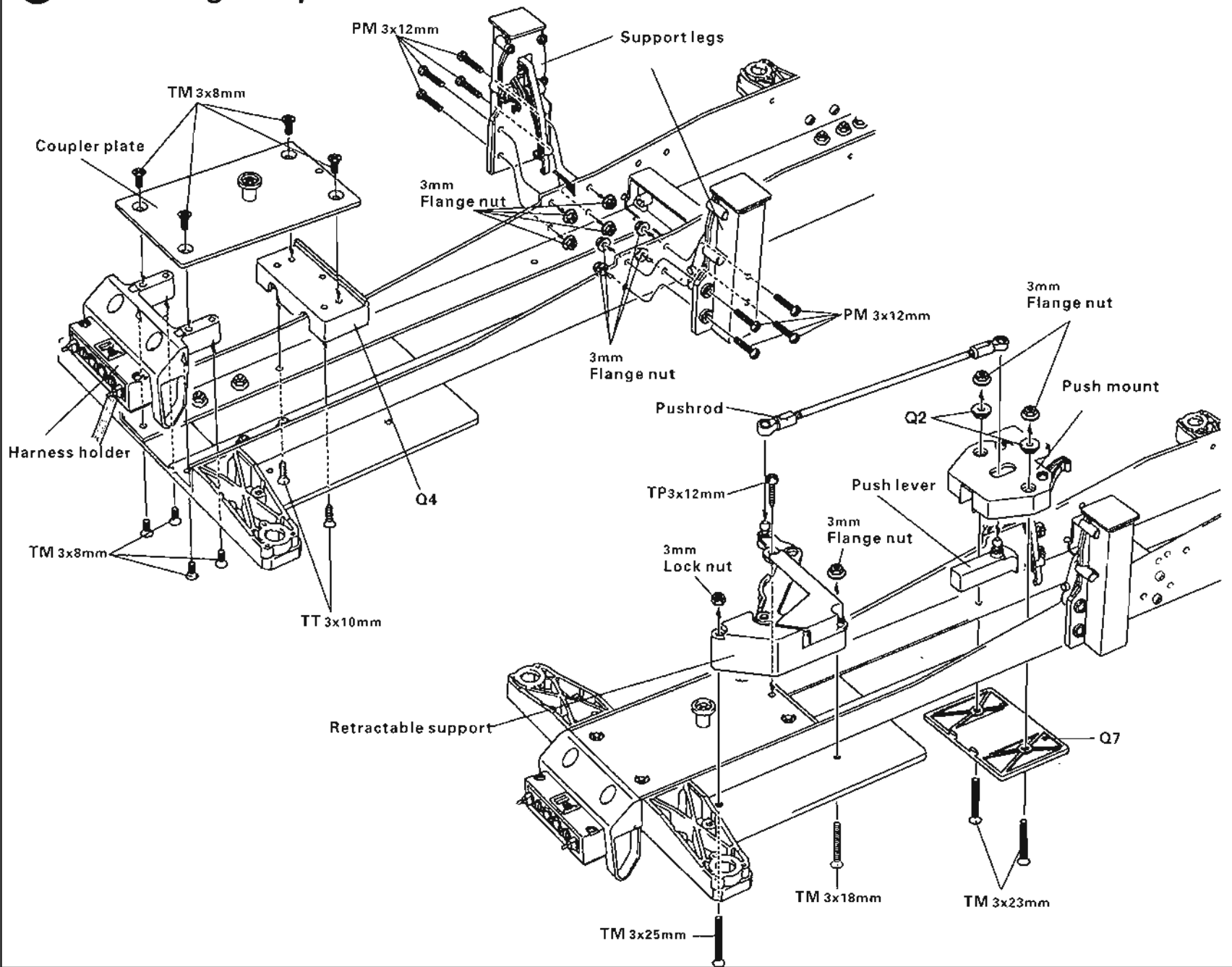
-  TP 3x10mm Screw x2
-  TP 2x6mm Screw x2

**14 Harness Holder Assembling**



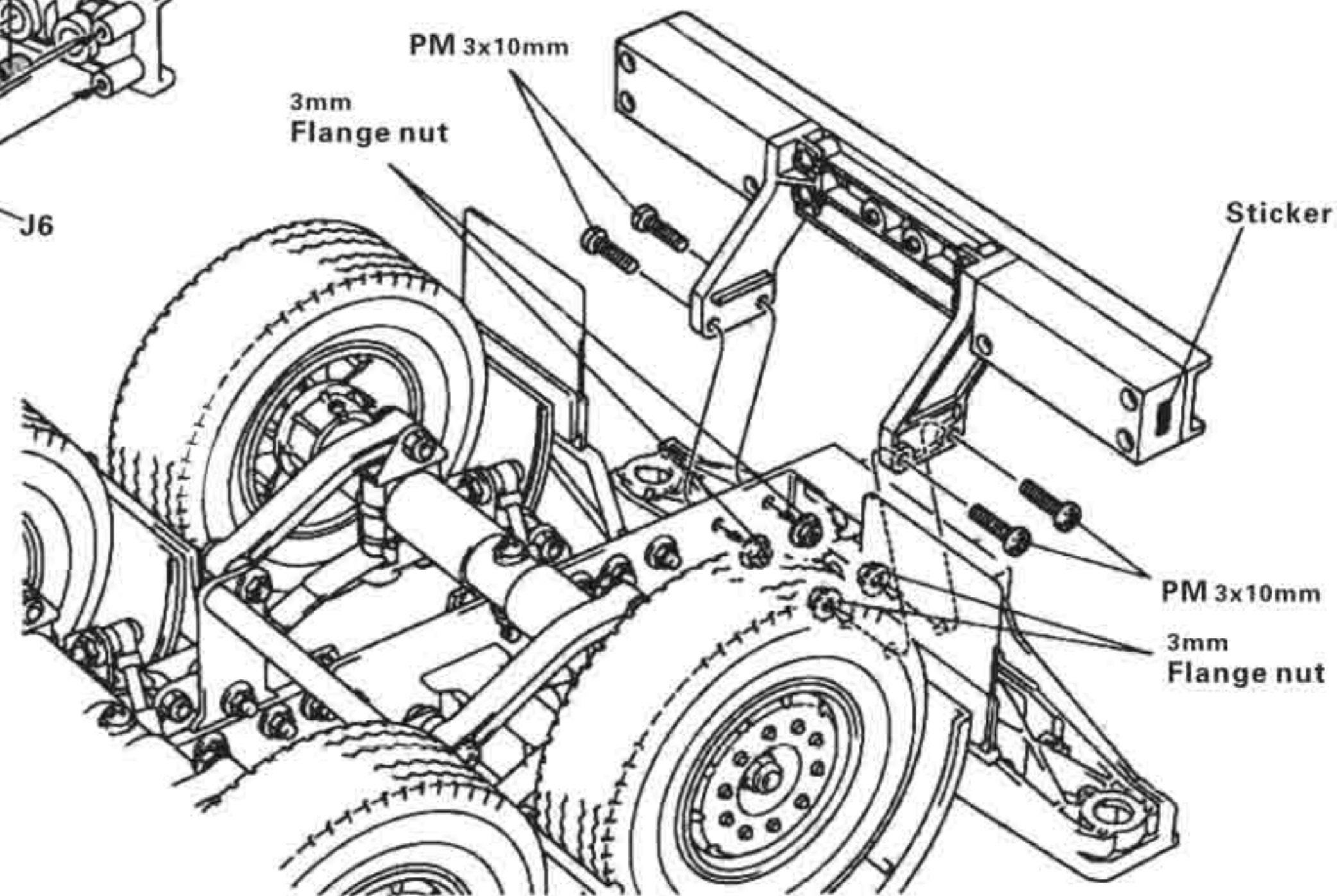
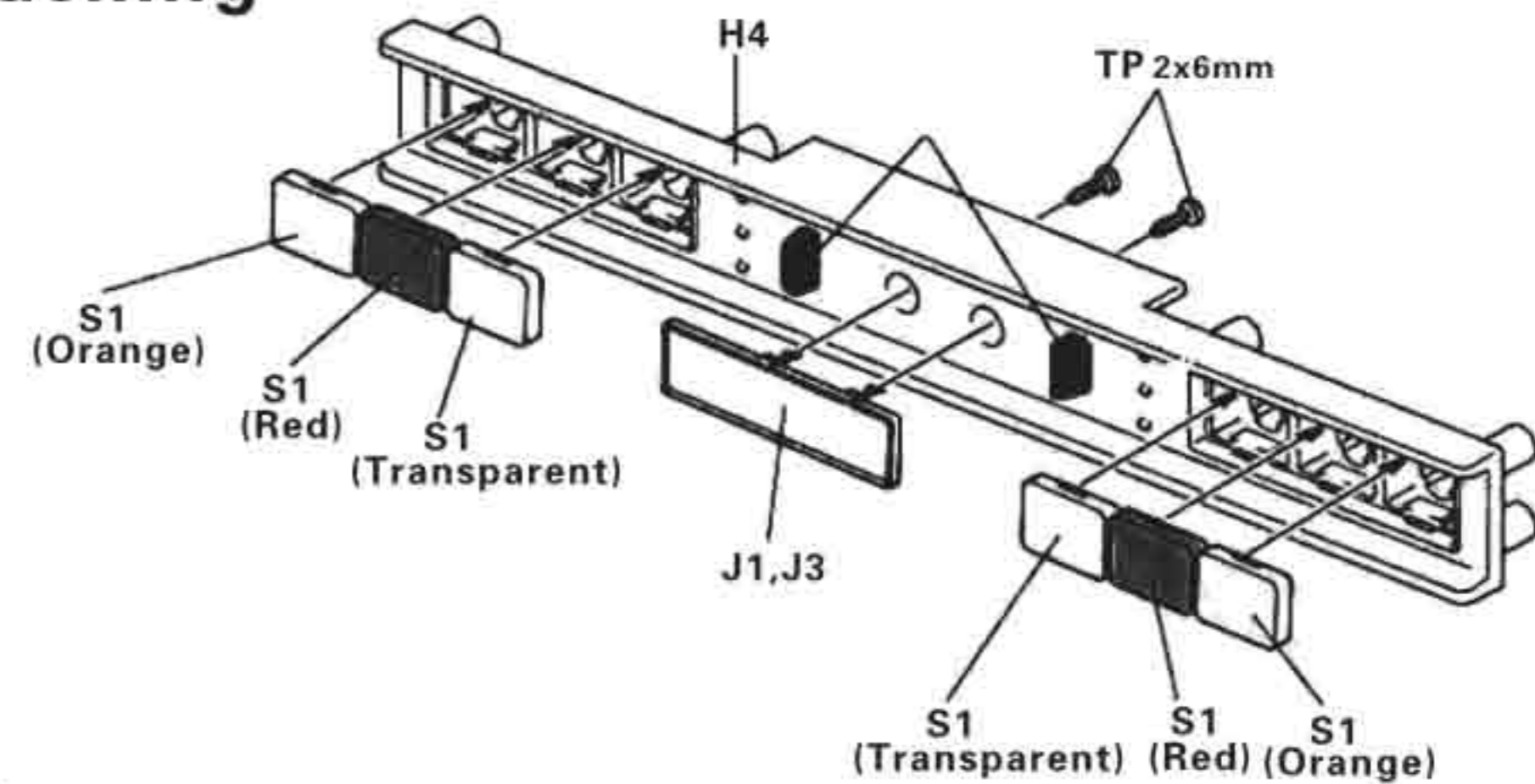
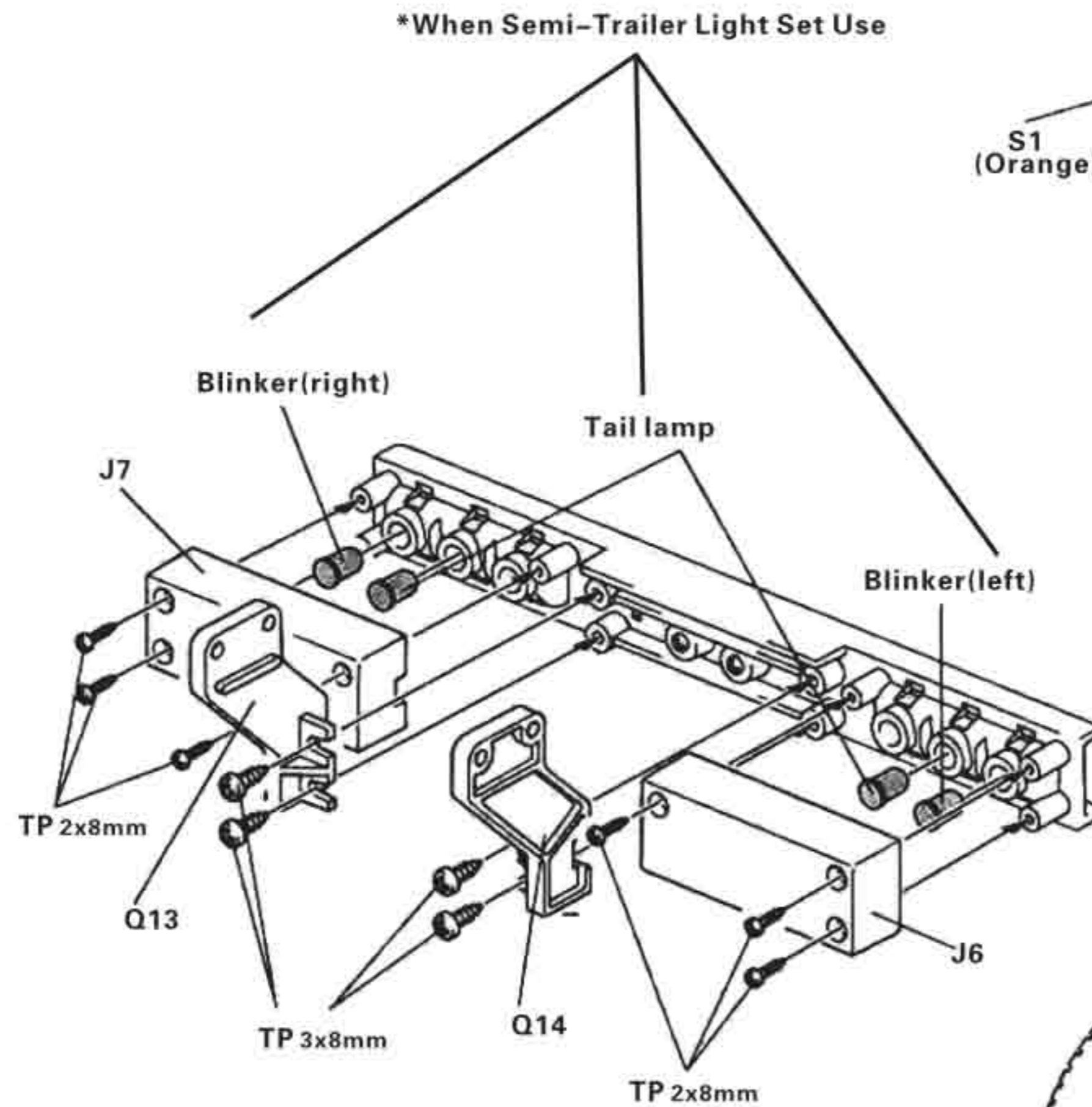
# 15 Attaching Coupler and Harness Holder

-  **PM 3x12mm Screw**  
x8
-  **TM 3x25mm Screw**  
x1
-  **TM 3x23mm Screw**  
x2
-  **TM 3x18mm Screw**  
x1
-  **TM 3x8mm Screw**  
x8
-  **TP3x12mm Screw**  
x1
-  **TT 3x10mm Screw**  
x2
-  **3mm Flange nut**  
x11
-  **3mm Lock nut**  
x1



# 16 Taillights Assembling and Attaching

-  PM 3x10mm Screw x4
-  TP 3x8mm Screw x4
-  TP 2x8mm Screw x6
-  TP 2x6mm Screw x2
-  3mm Flange nut x4



# 17 Attaching Side Guard

17

PM 3x8mm Screw  
x14

TP 2x6mm Screw  
x16

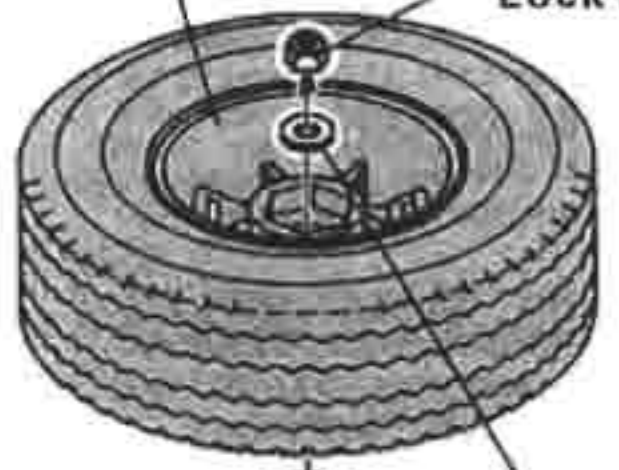
3mm Flange nut  
x8

3mm Lock nut  
x2

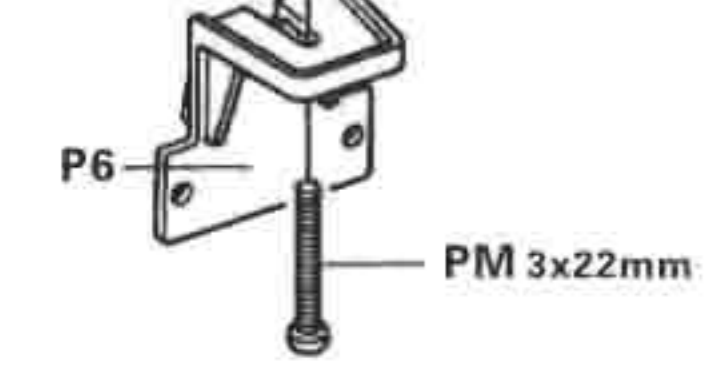
φ3mm Washer  
x2

Tire, Wheel (available separately)

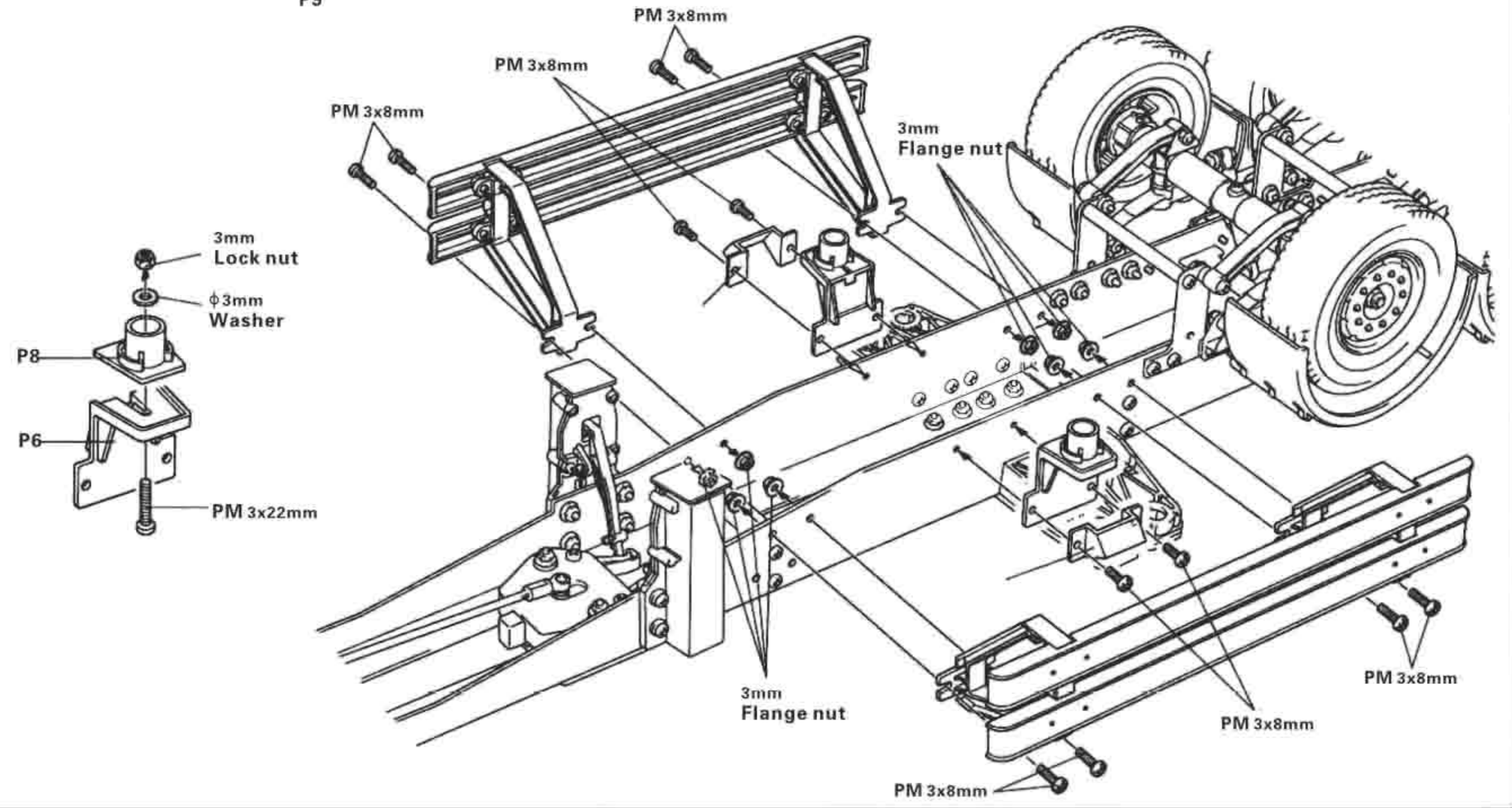
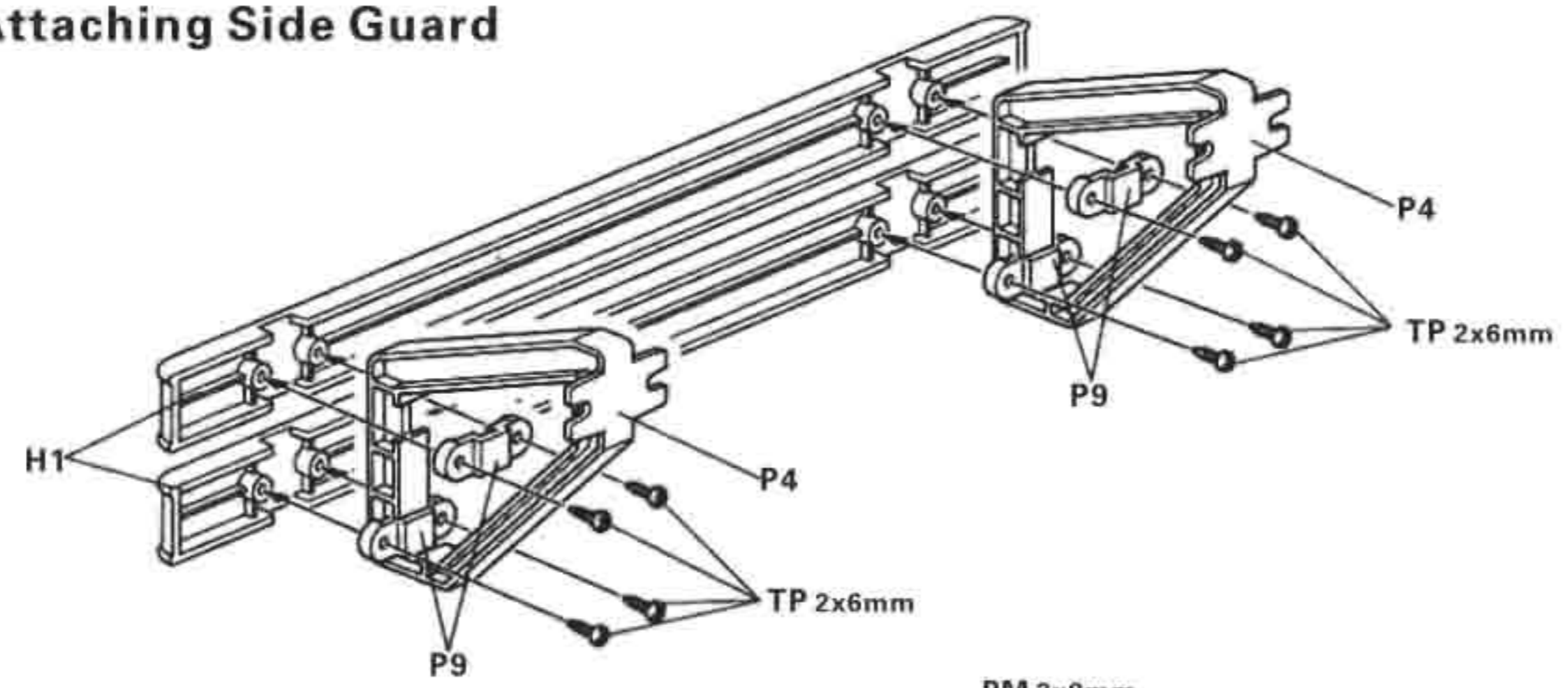
3mm Lock nut









φ3mm Washer



PM 3x22mm Screw  
BA1 x2



# 18 Attaching Twist lock

-  PM 3x8mm Screw x8
-  φ5x9mm O-ring x16
-  Twist lock x8
-  Twist lock holder x8
-  Twist lock lever x8
-  Wheel chock x2

