



King of Dirt 2.0

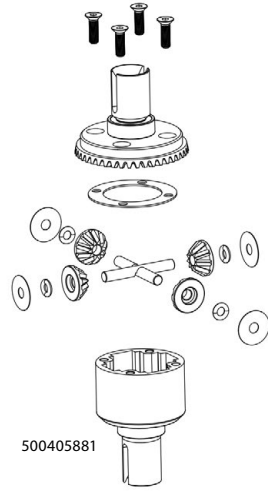
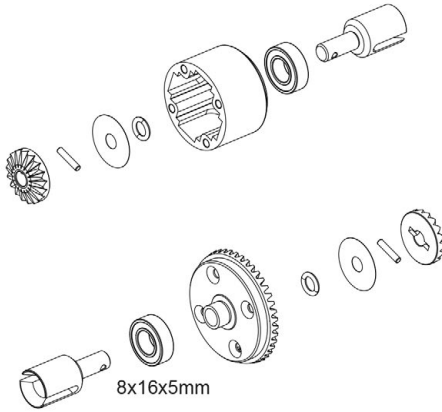
2.4 GHz

ASSEMBLED 100% READY-TO-RUN MODEL

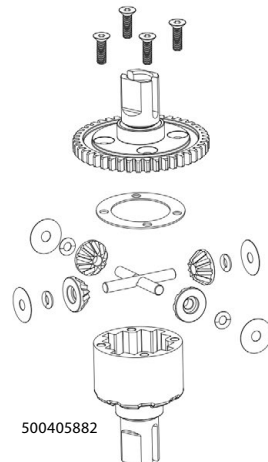
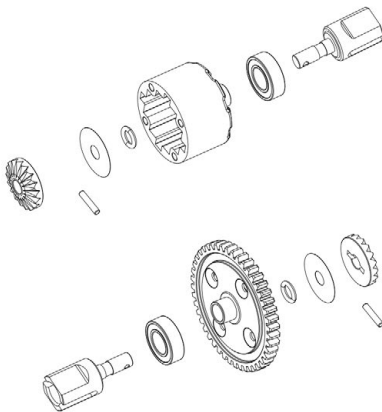
Montageanleitung / Assembly

MONTAGEANLEITUNG • ASSEMBLY INSTRUCTIONS

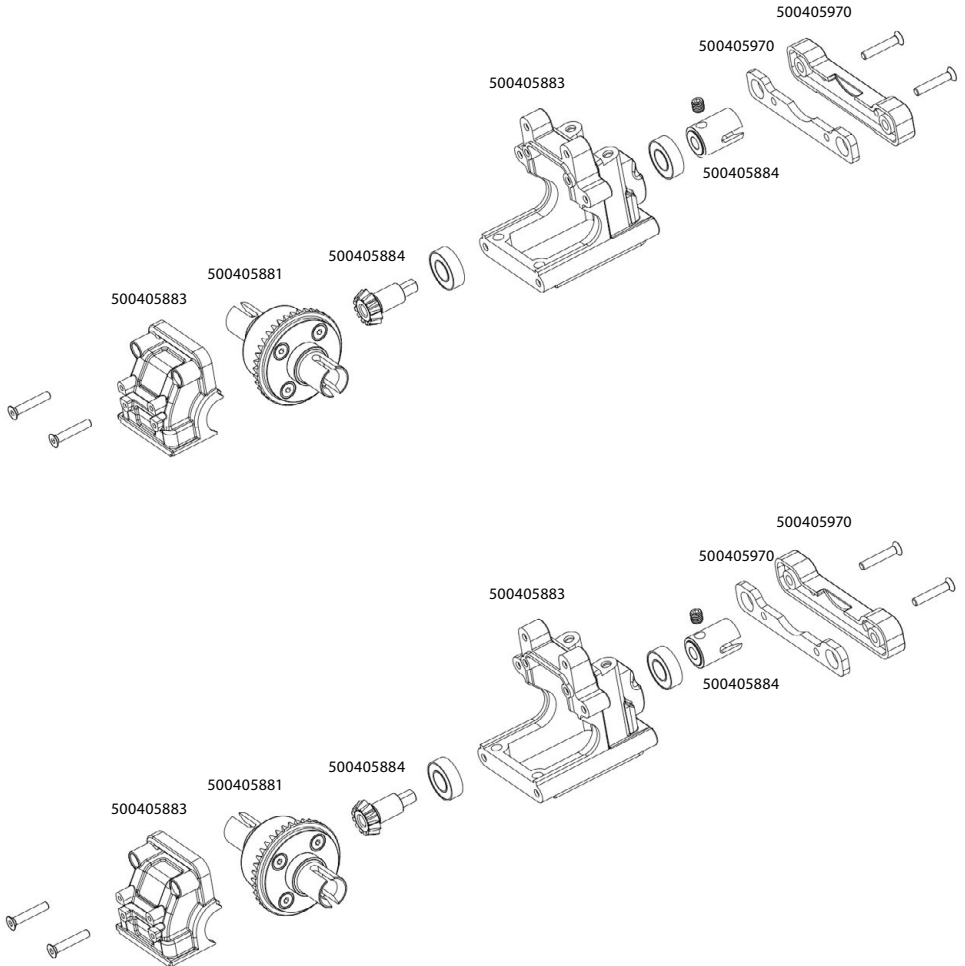
DIFFERENZIAL VORNE/HINTEN • DIFFERENTIAL FRONT/REAR



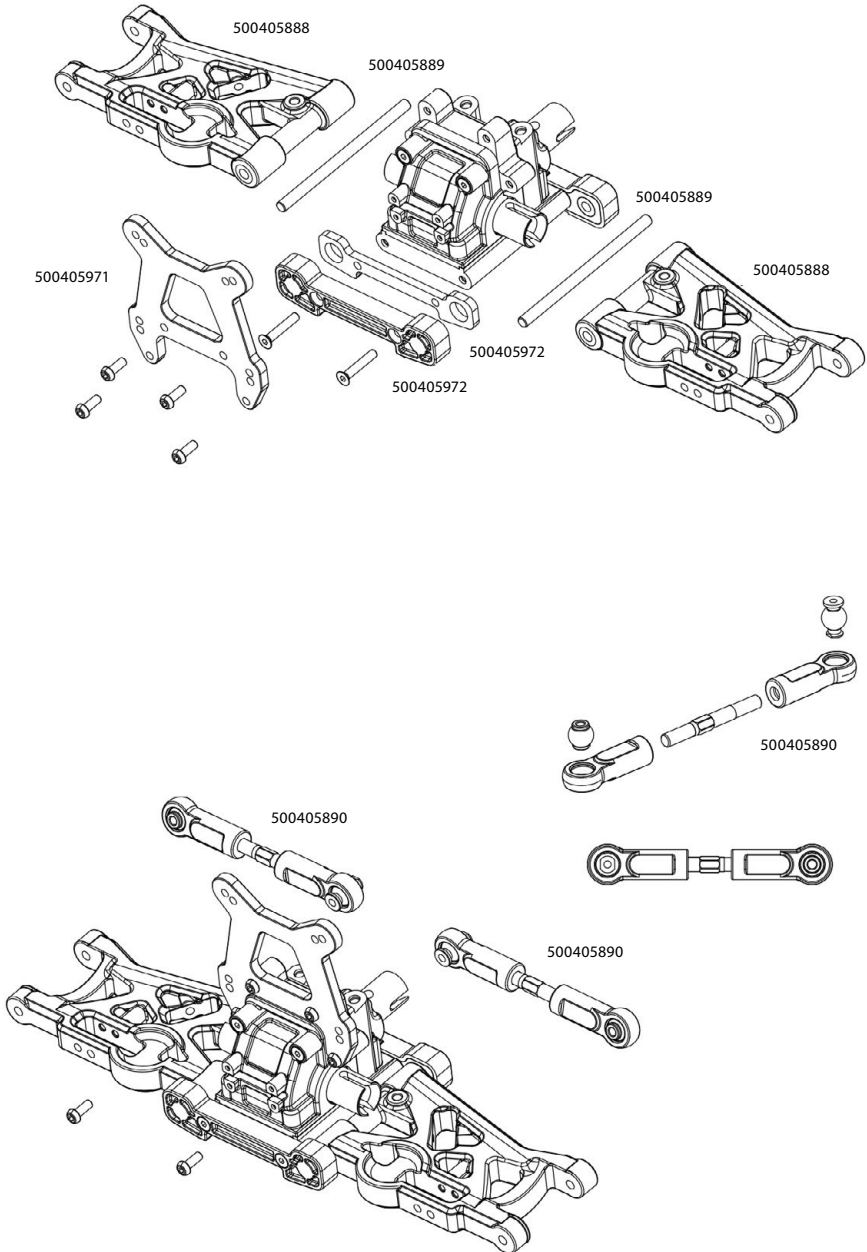
DIFFERENZIAL MITTE • DIFFERENTIAL CENTER



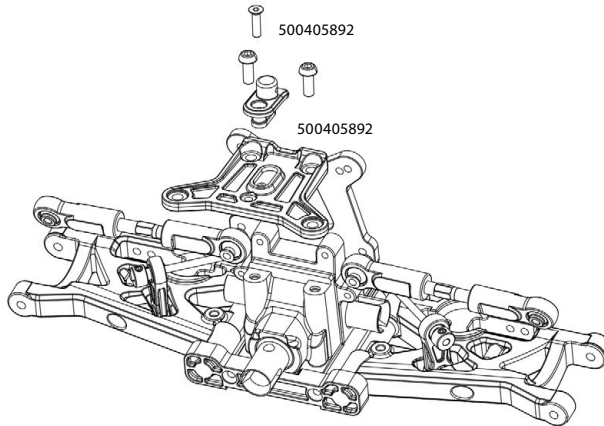
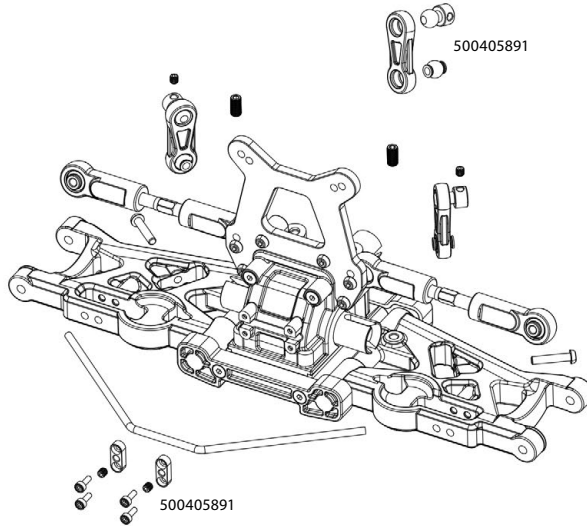
DIFFERENZIAL MITTE • DIFFERENTIAL CENTER



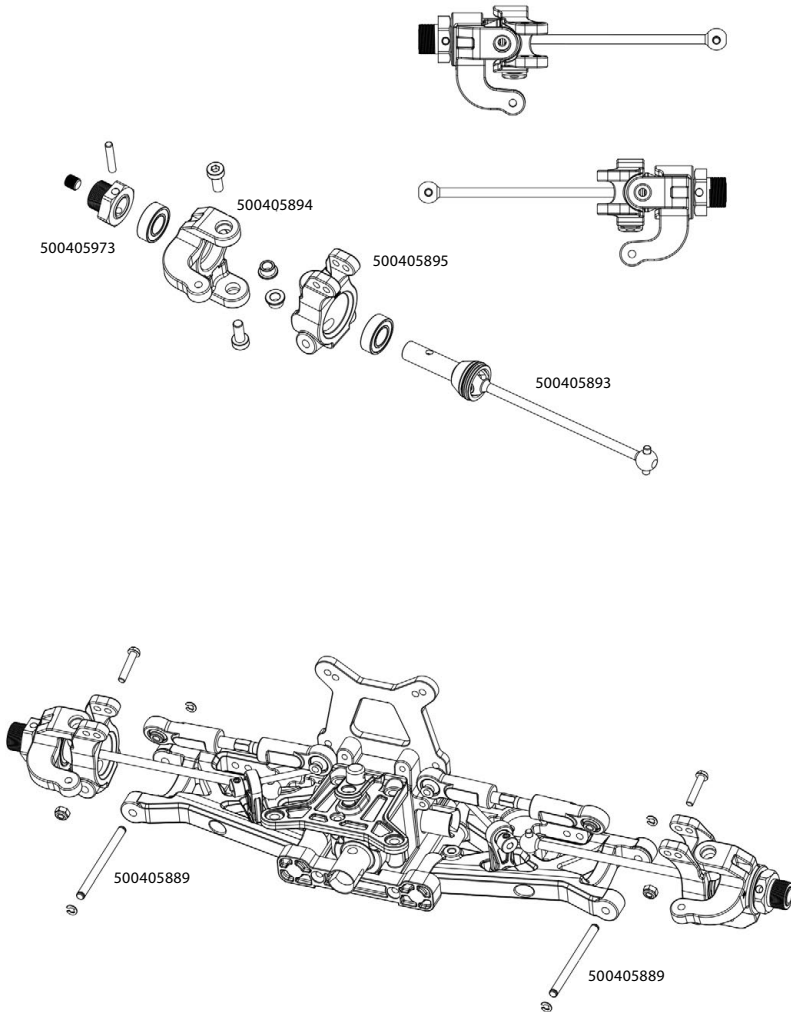
MONTAGE VORDERACHSE • ASSEMBLING FRONT UNIT

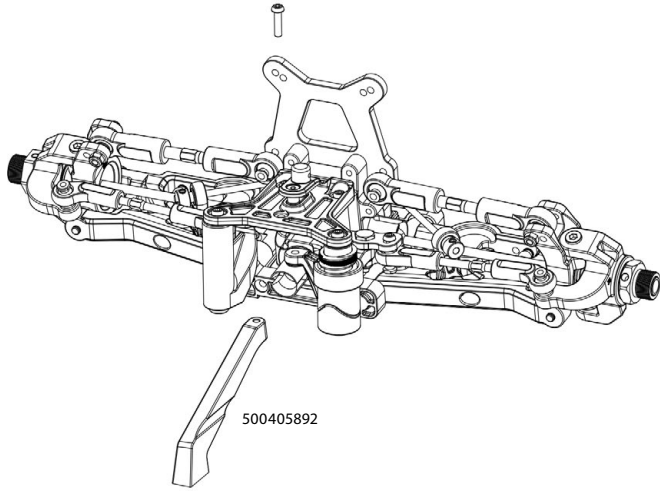


ACHSSCHENKEL VORNE • FRONT HUBS

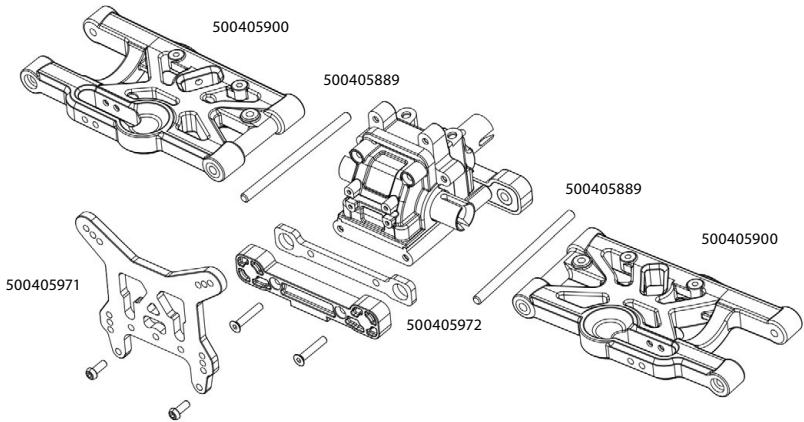


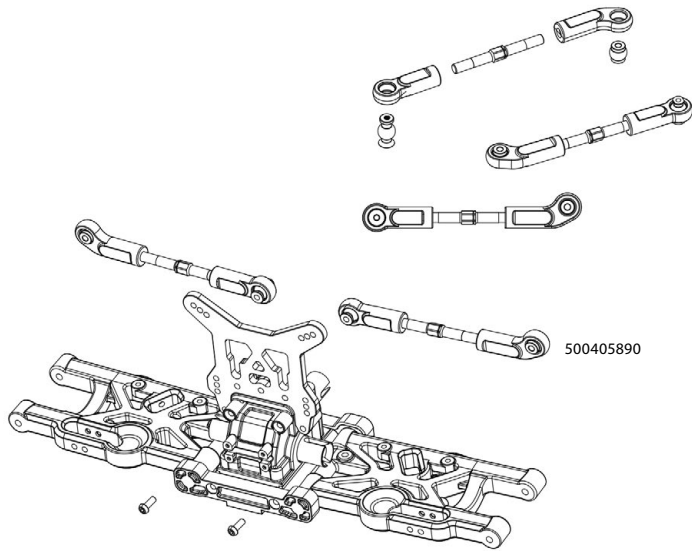
ACHSSCHENKEL VORNE • FRONT HUBS



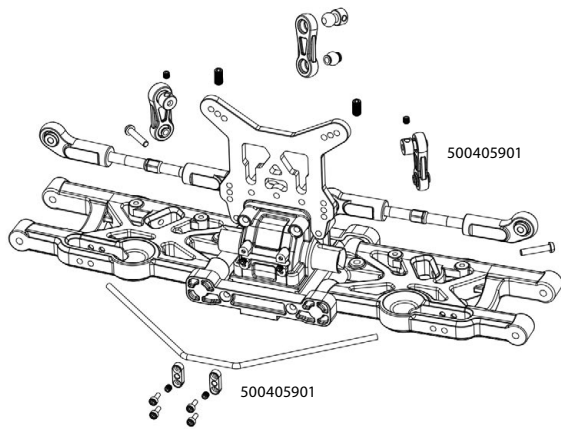


MONTAGE HINTERACHSE • ASSEMBLING REAR UNIT

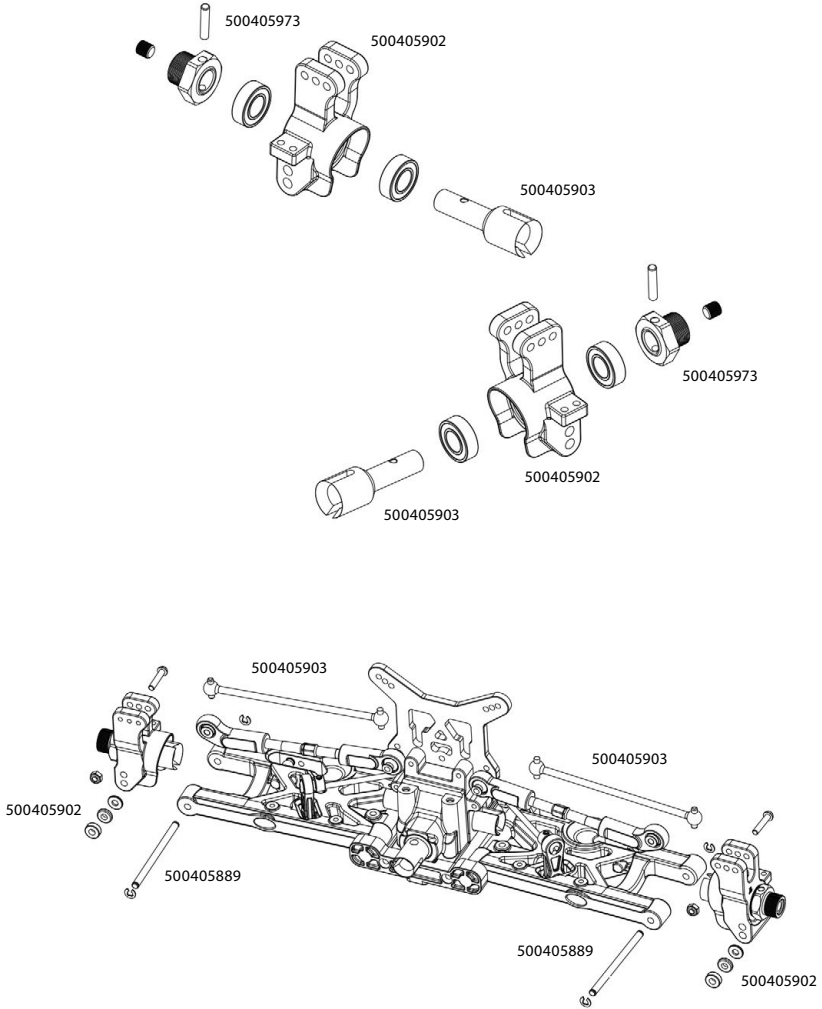




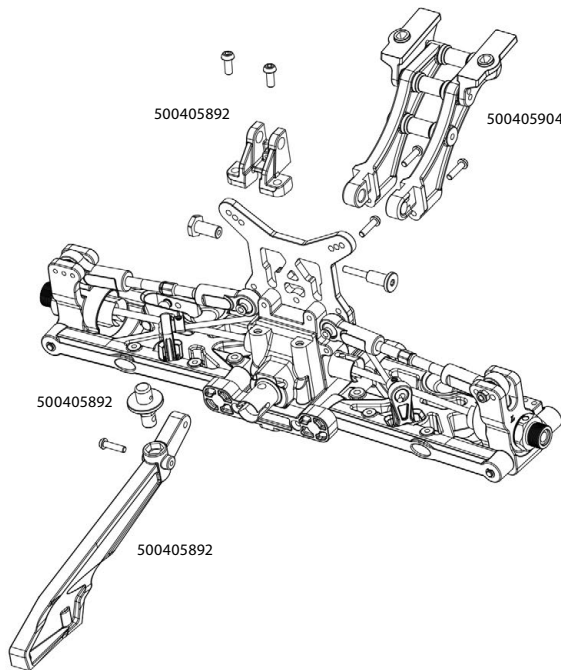
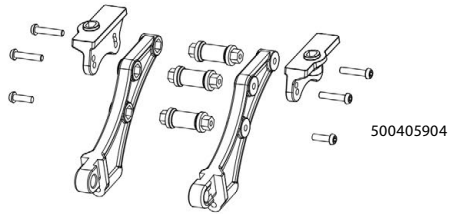
STABILISATOREN • ANTI ROLL-BAR



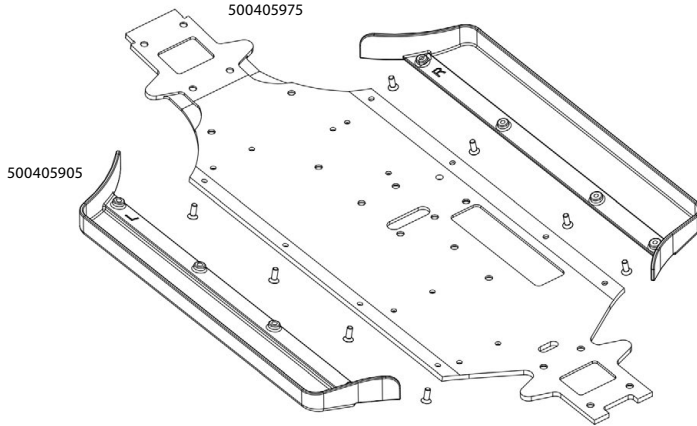
ACHSSCHENKEL HINTEN • REAR HUBS



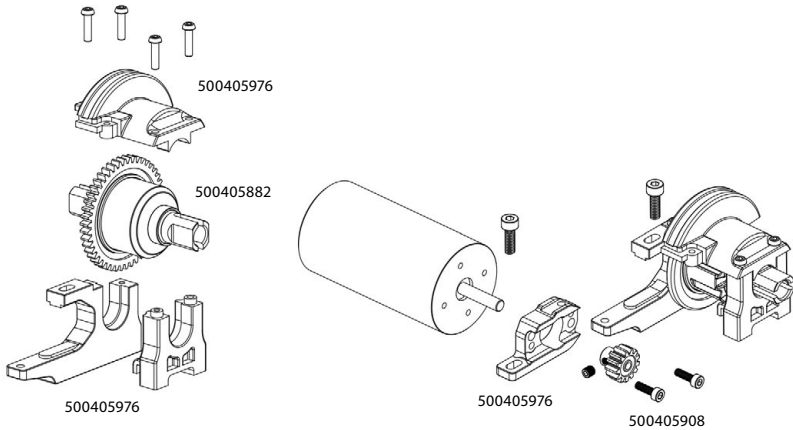
CHASSISVERSTEIFUNG • CHASSIS-BRACE

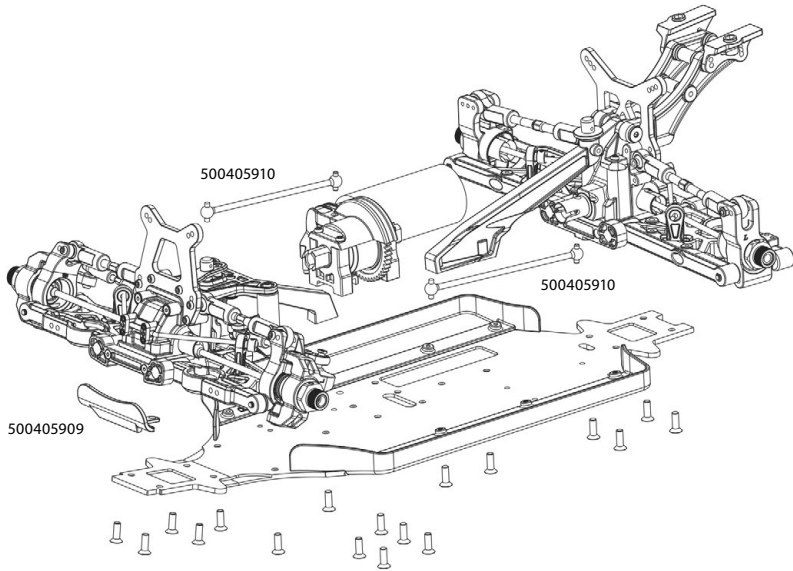


CHASSISPLATTE • CHASSIS-PLATE

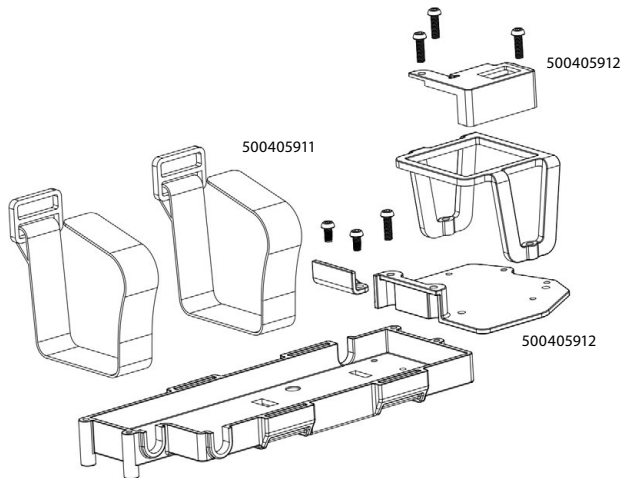


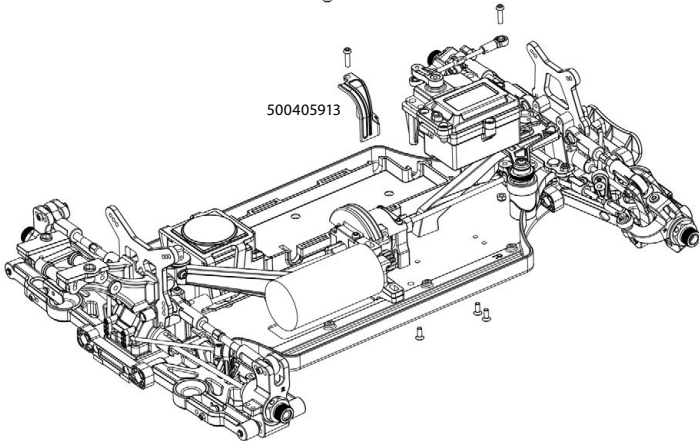
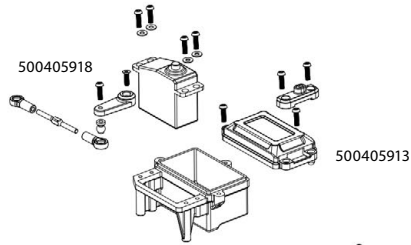
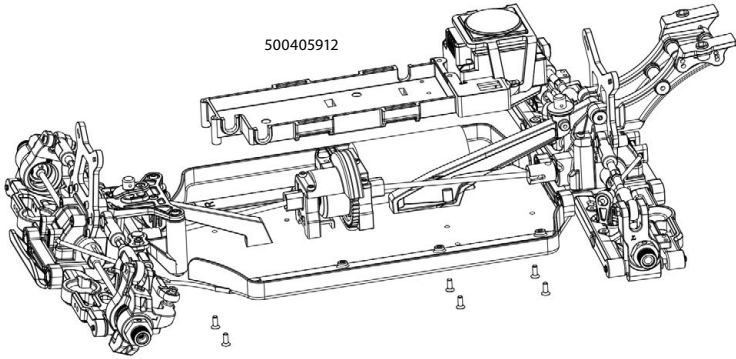
MONTAGE MOTOR • ASSEMBLING ENGINE



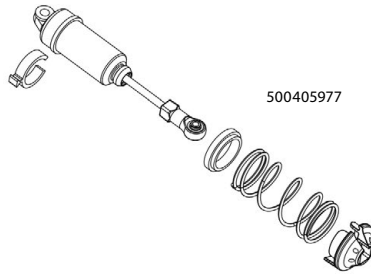
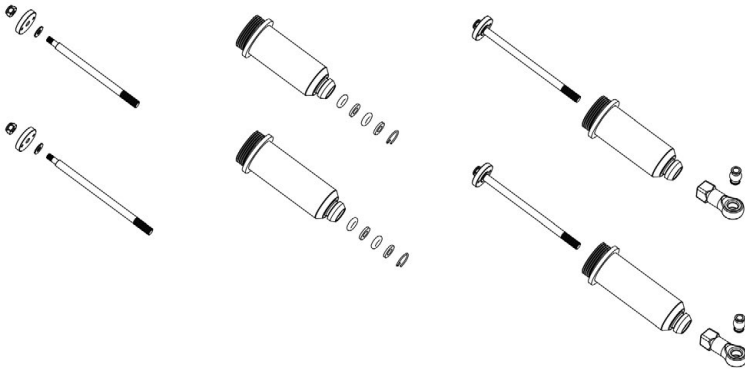


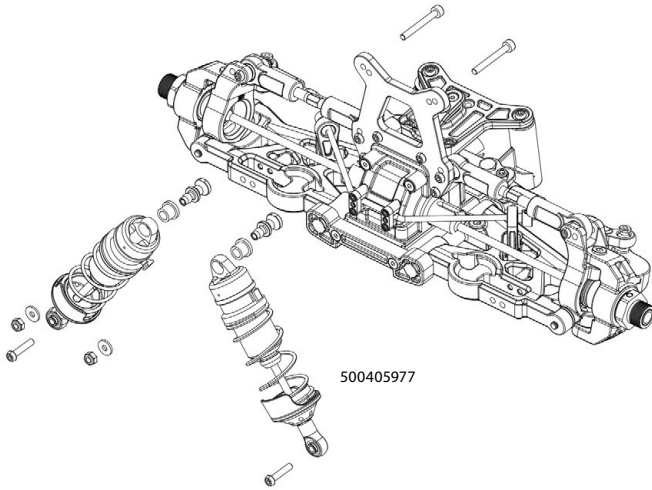
AKKUHALTERUNG • BATTERYMOUNT



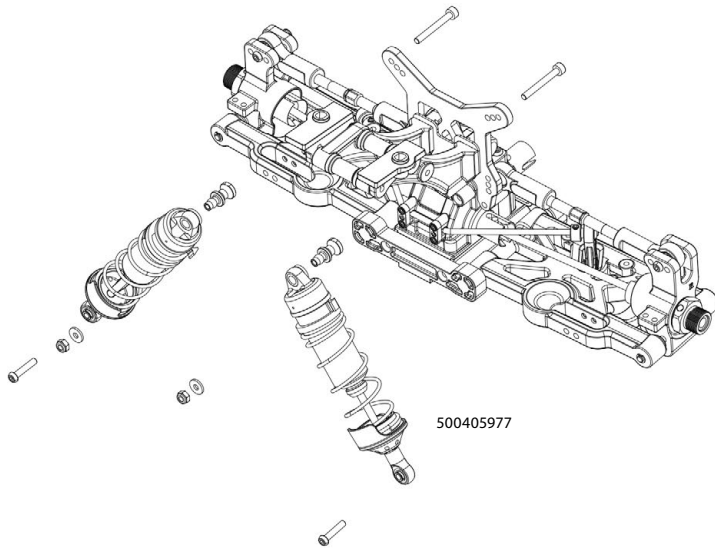


STOSSDÄMPFER • SHOCK ABSORBERS



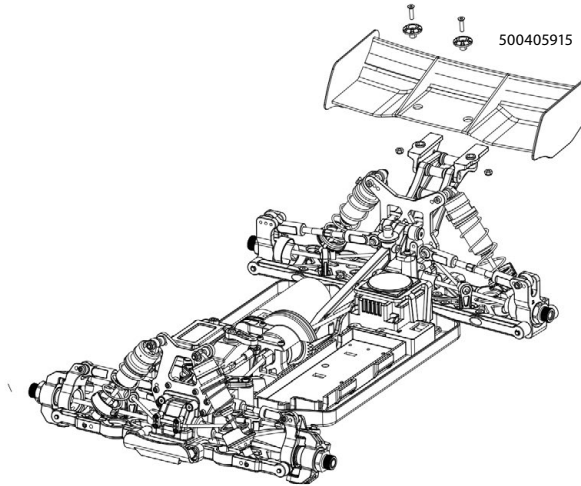


500405977

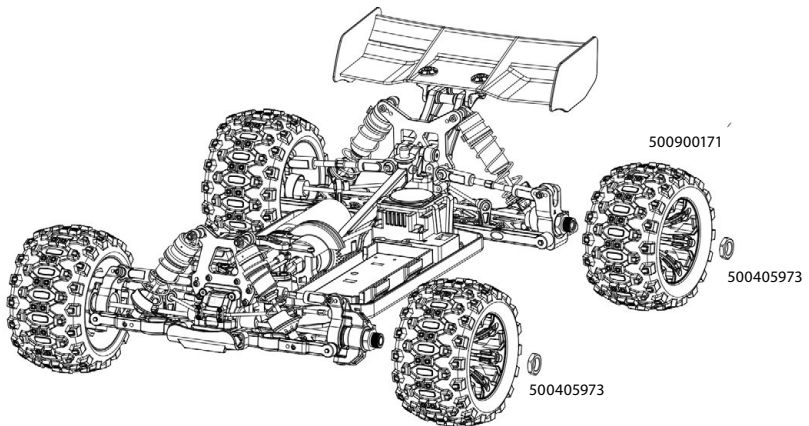


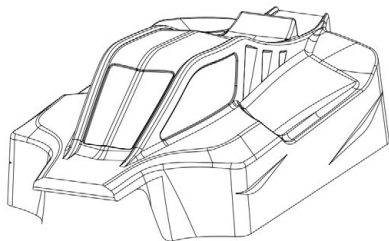
500405977

SPOILER • WING

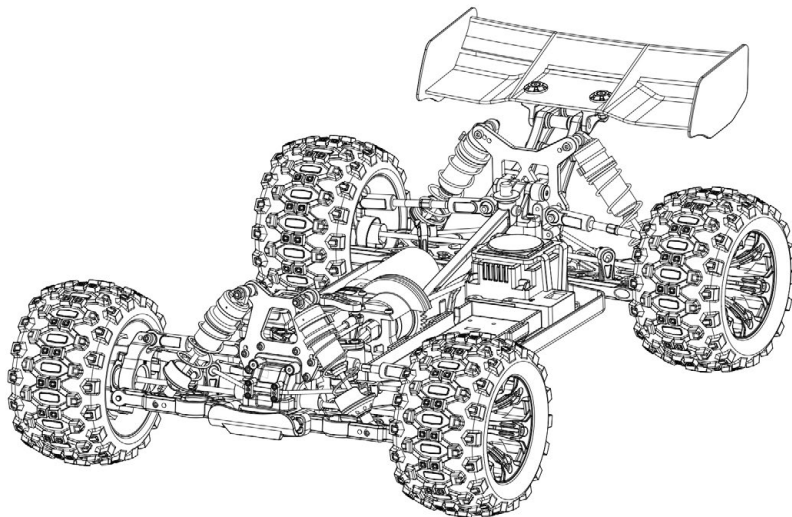


RÄDER • WHEELS





500801036 /
500801037



NOTIZEN / NOTES

A series of horizontal dotted lines spanning the width of the page, providing a template for handwritten notes.



TAMIYA-CARSON
Modellbau GmbH & Co. KG

Werkstraße 1 // D-90765 Fürth // www.carson-modelsport.com

+49 3675 7333 343

Service-Hotline for Germany: Mo-Do 8-12 Uhr & 12.30-16 Uhr // Fr 8-12.30 Uhr
CARSON-Model Sport // Abt. Service // Mittlere Mutsch 9 // 96515 Sonneberg