

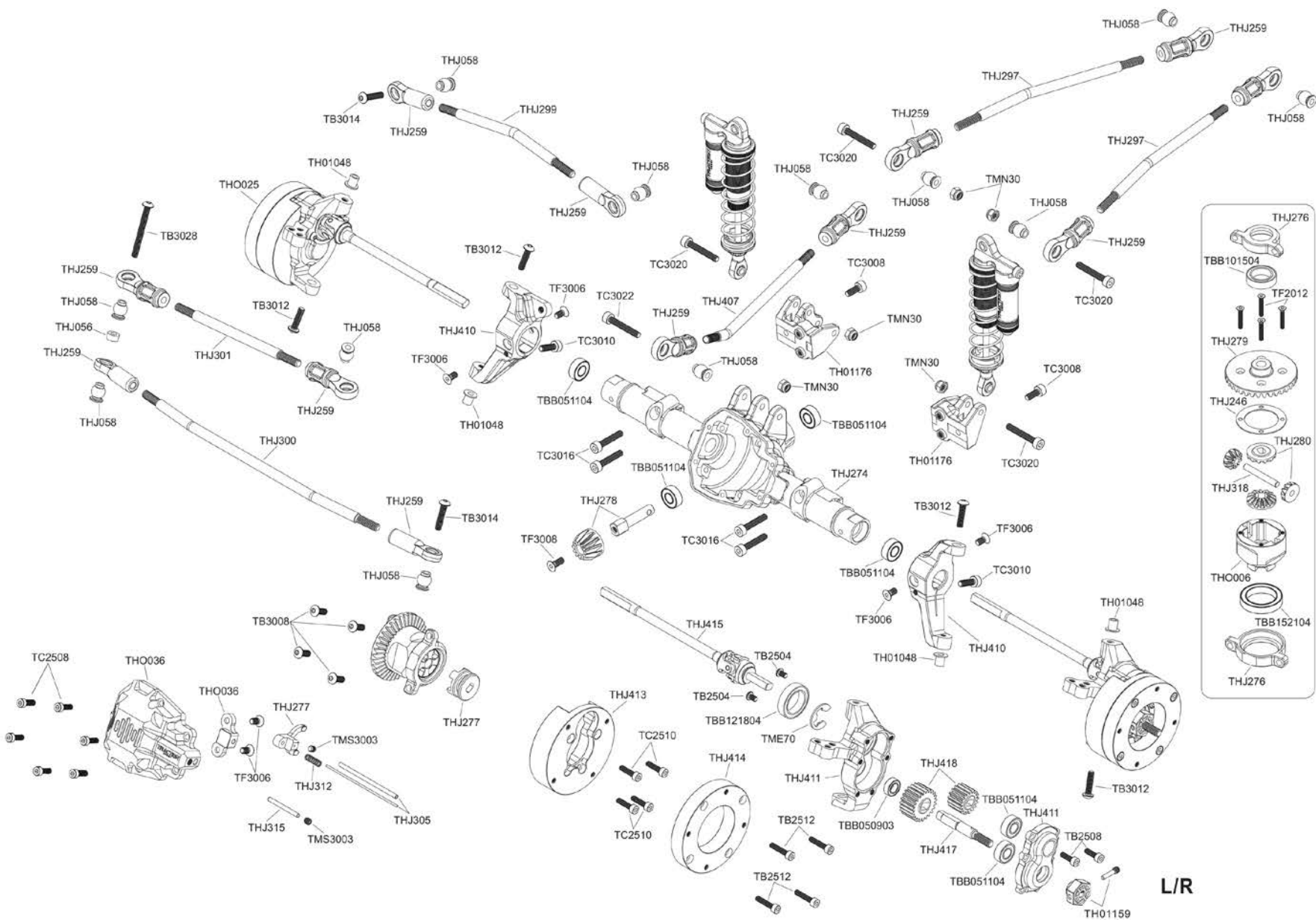


1:8 Adventure Crawler Pro F 150 white 2.4 GHz

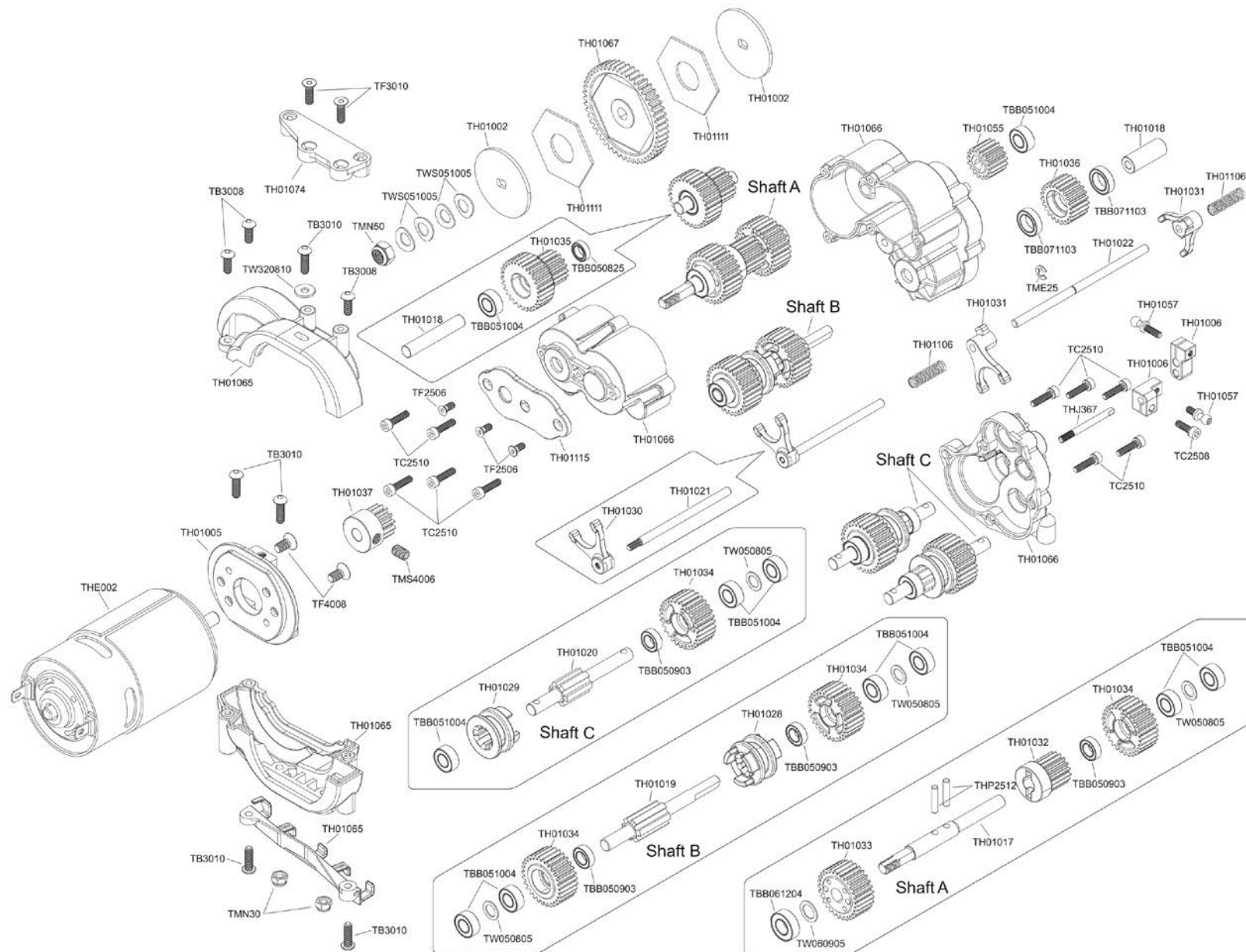
MONTAGEANLEITUNG • ASSEMBLY INSTRUCTIONS

MONTAGEANLEITUNG • ASSEMBLY INSTRUCTIONS

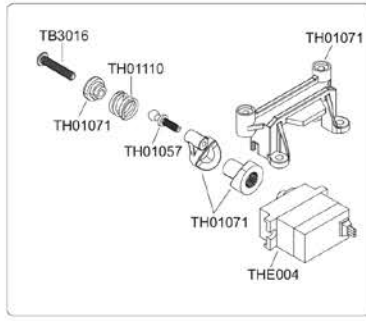
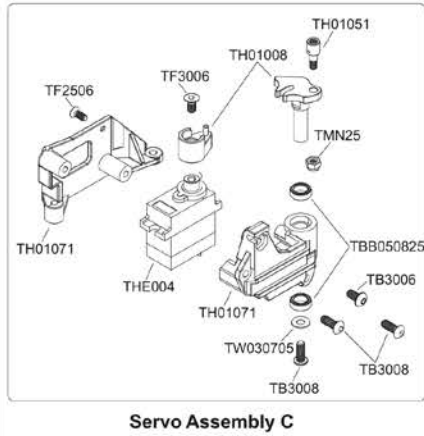
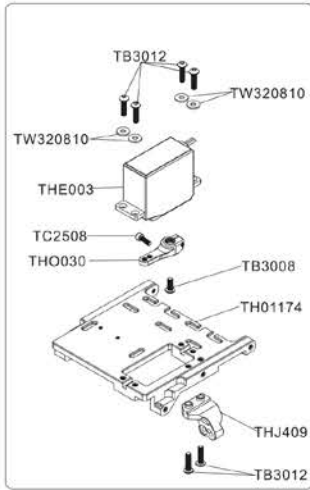
MONTAGE VORNE • FRONT ASSEMBLY



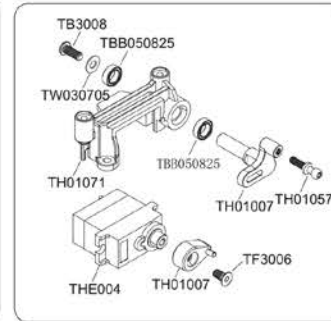
MONTAGE GETRIEBE · TRANSMISSION ASSEMBLY



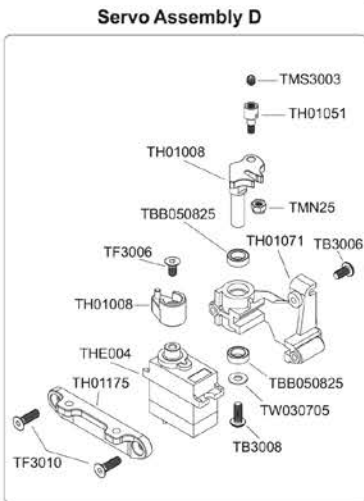
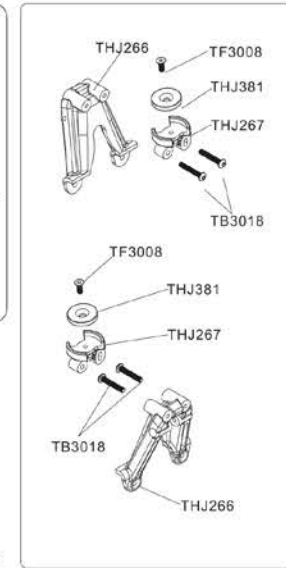
MONTAGE CHASSIS • CHASSIS ASSEMBLY



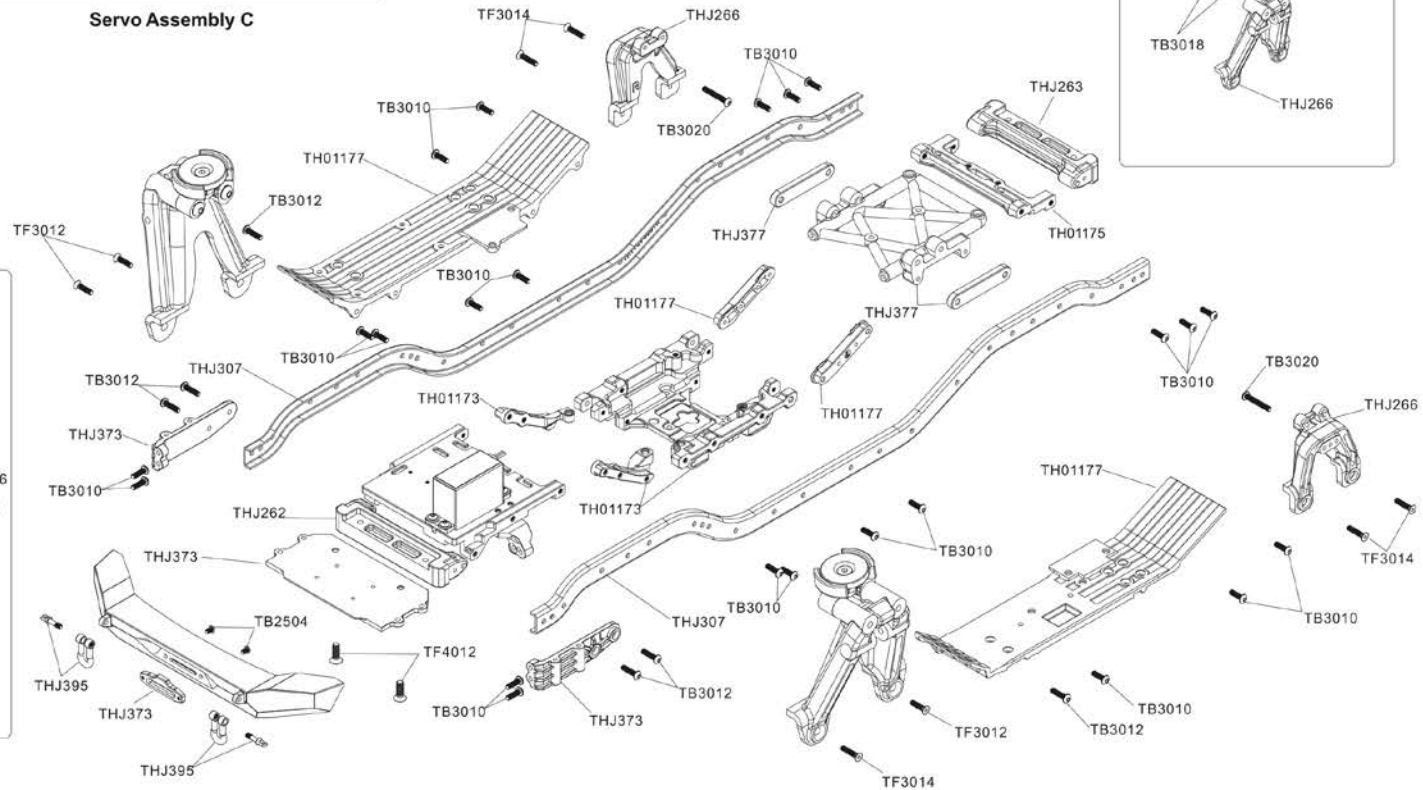
Servo Assembly B



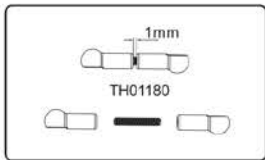
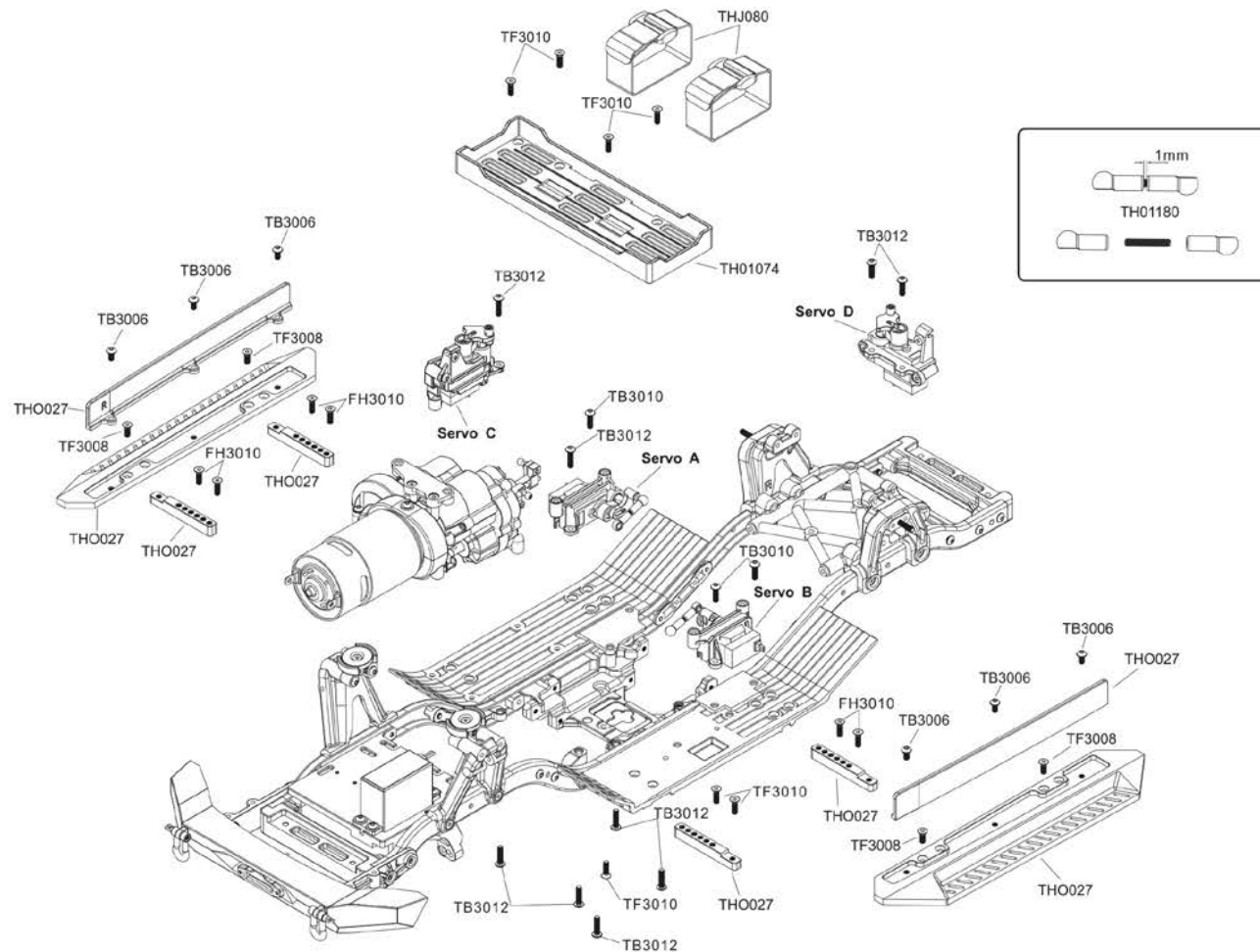
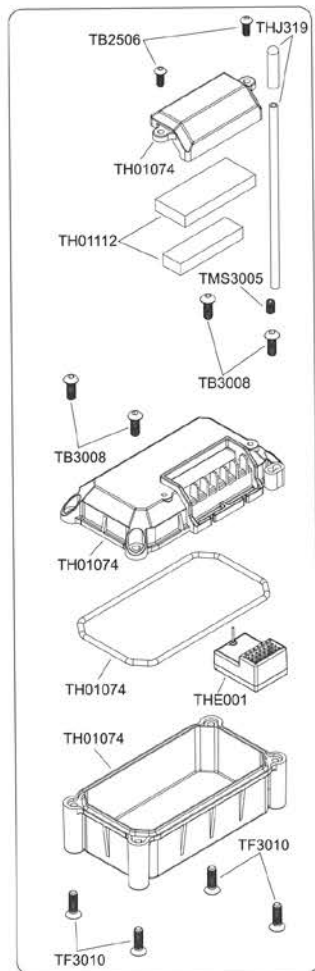
Servo Assembly A



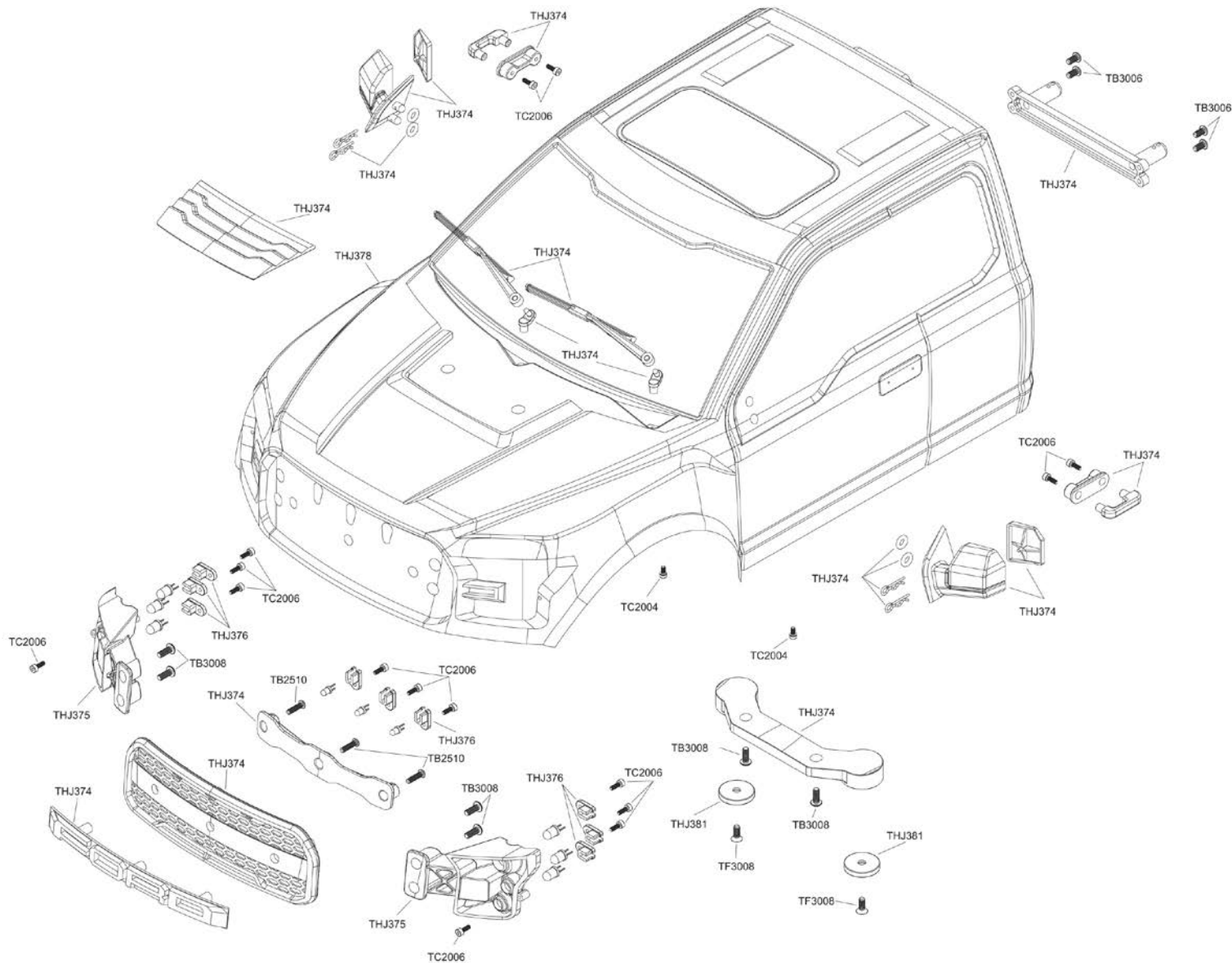
Servo Assembly D



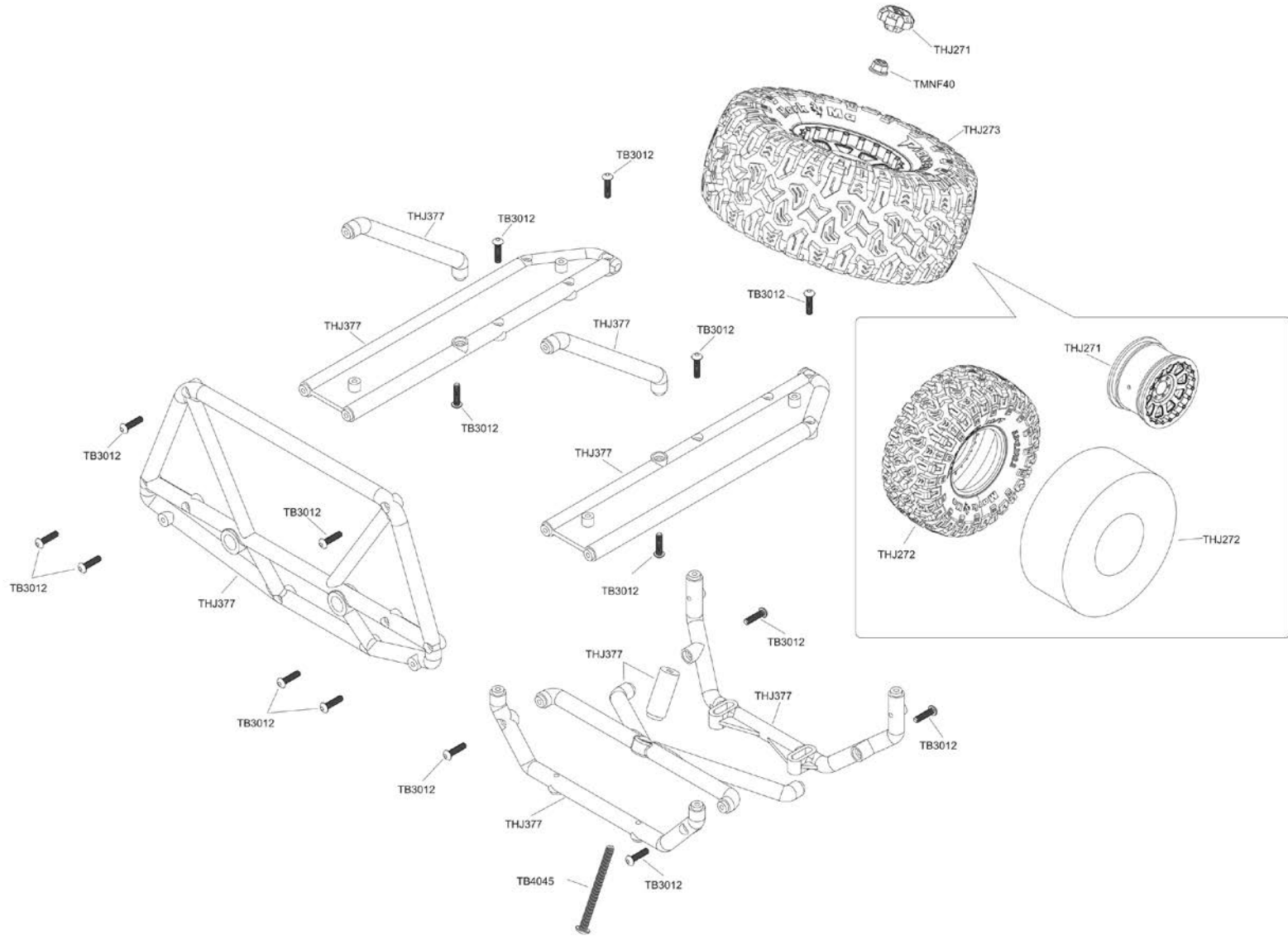
MONTAGE CHASSIS • CHASSIS ASSEMBLY



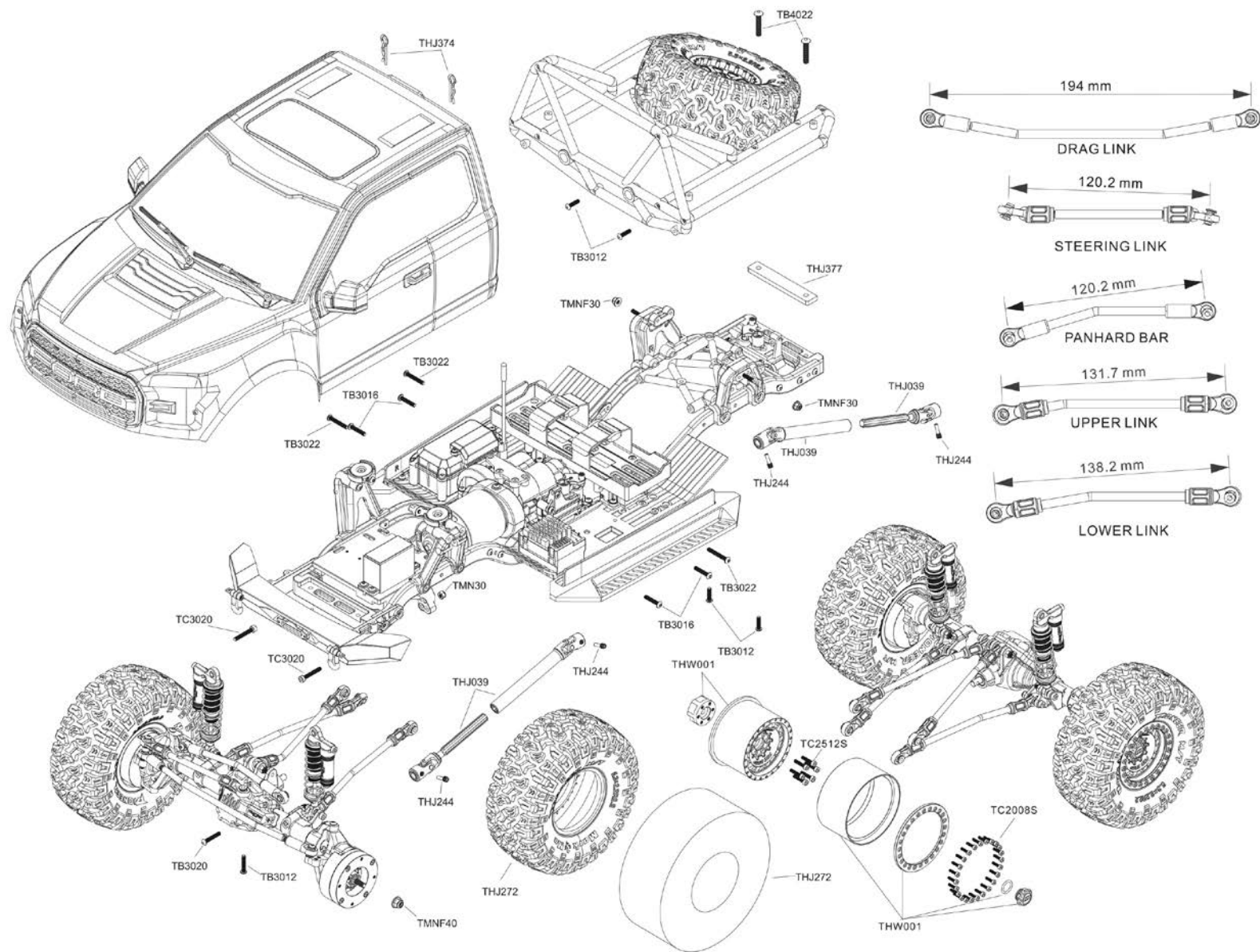
MONTAGE KAROSSERIE • BODY ASSEMBLY



MONTAGE ÜBERROLLKÄFIG • ROLL CAGE ASSEMBLY



MONTAGE MODULE • MODULAR ASSEMBLY



ERSATZTEILE / SPARE PARTS

TH01173 Skid plates
 TH01174 Steering servo mount
 TH01175 Rear brace set
 TH01176 Linkage mount
 TH01177 Floor pans
 TH01002 Steel disc
 TH01005 Transmission motor mount
 TH01006 Ball mount set
 TH01007 2WD/4WD servo arm
 TH01008 Differential lock servo arm
 TH01017 Transmission first shaft
 TH01018 Transmission shaft set
 TH01019 Transmission 2-speed shaft
 TH01020 Transfer case shaft
 TH01021 2-Speed link
 TH01022 Transfer case link
 TH01028 2-Speed synchronizer
 TH01029 Transfer case synchronizer
 TH01030 2-Speed shift fork
 TH01031 Transfer case fork
 TH01032 Drive gear 17T
 TH01033 Drive gear 29T
 TH01034 Gear 29T
 TH01035 Gear 17-29T
 TH01036 Gear 23T
 TH01037 Pinion gear 14T
 TH01115 Transmission strengthen mount
 TH0030 Steering arm
 TH0036 Axle cover
 TH01159 Hex hub
 TH01057 Ball 4mm
 TH01065 Transmission housing mount
 TH01066 Transmission housing
 TH01067 Spur gear 50T
 TH01071 Servo mount set
 TH01074 Box&Battery tray
 TH01106 Spring D4.3x16mm
 TH01110 Servo saver spring
 THJ078 Brushed ESC 80A
 THE002 775 Brushed motor
 THE004-HV TH1823 HV servo
 THE008 LED light system set
 THE001 TH-GT5 transmitter
 TH01111 Slipper pad
 TH01112 Double side tape&EVA kit
 THJ273 Wheel Set
 THW001 2.2" PRO COMP wheel
 THJ307 Chassis rail set
 THJ274 Solid axle set front
 THJ275 Solid axle set rear
 THJ280 Diff gear set
 THJ295 Ball 5.5mm
 THJ057 Ball end 5.8mm
 THJ038 King pin bushing
 THJ039 Drive shaft
 THJ276 Bearing seat
 THJ423 Shock absorber body
 THJ050 Shock cap nut
 THJ051 Adjusting nut
 THJ424 Shock shaft
 THJ070 O-ring set
 THJ054 Shock spacer
 THJ055 Shock piston
 THO037 Shock Reservoir
 THJ056 Spacer
 THJ280 Diff gear set
 THJ277 Differential lock set
 THJ308 Magnet set
 THJ279 38T Bevel gear
 THJ321 Self-lock device of diff lock
 THO006 Aluminum differential housing
 THJ409 Toe Link mount
 THJ410 Knuckle carrier
 THJ411 Steering knuckles
 THJ412 Rear portal axle
 THJ413 Weight block 108g
 THJ414 Weight block 82g
 THJ415 Universal axle set
 THJ416 Straight axle Shaft
 THJ417 Portal axle output shaft
 THJ418 Gear set 17T-23T
 THO027 Blade side frame
 THJ373 Front bumper
 THJ395 Metal hook
 THJ060 Linkage ball end 7mm
 THJ266 Shock hoops set
 THJ267 Body mount set
 THJ259 Linkage ball set
 THJ259 Linkage ball set

THJ302 Gearbox turnbuckle set
 THJ374 Simulation body parts
 THJ375 Light cup
 THJ376 Lamp mount
 THJ377 Roll cage
 THJ378 Clear body
 THJ073 Shock absorber completed set
 THJ297 Down threaded stainless steel link
 THJ298 Up threaded stainless steel link
 THJ299 Front threaded stainless steel link
 THJ300 Steering threaded Stainless steel link
 THJ305 Front cable set
 THJ306 Rear cable set
 THJ301 Servo threaded Stainless steel link
 THJ367 Gearshift pin
 THJ425 spring D17x60mm
 THJ407 Front up threaded stainless steel link
 THJ246 Differential Pads
 THJ314 Pin 2.0x11mm
 THJ316 Pin 2.5x8mm
 TBB050825 Bearing 5x8x2.5
 TBB050903 Bearing 5x9x3
 TBB051004 Bearing 5x10x4
 TBB051104 Bearing 5x11x4
 TBB061204 Bearing 6x12x4
 TBB071103 Bearing 7x11x3
 TBB101504 Bearing 10x15x4
 TBB121804 Bearing 12x18x4
 TBB152104 Bearing 15x21x4
 TME25 E-clip 2.5mm
 TME70 E-clip 7mm
 TB2504 M2.5x4 Button head screw
 TB2506 M2.5x6 Button head screw
 TB2510 M2.5x10 Button head screw
 TB3006 M3x6 Button head screw
 TB3008 M3x8 Button head screw
 TB3010 M3x10 Button head screw
 TB3012 M3x12 Button head screw
 TB3014 M3x14 Button head screw
 TB3016 M3x16 Button head screw
 TB3018 M3x18 Button head screw
 TB3020 M3x20 Button head screw
 TB3022 M3x22 Button head screw
 TB3028 M3x28 Button head screw
 TB4022 M4x22 Button head screw
 TB4045 M4x45 Button head screw
 TC2004 M2x4 Cap head screw
 TC2006 M2x6 Cap head screw
 TC2008S M2x8 Cap head screw(silver)
 TC2508 M2.5x8 Cap head screw
 TC2510 M2.5x10 Cap head screw
 TC2512 M2.5x12 Cap head screw
 TC2512S M2.5x12 Cap head screw(silver)
 TC3006 M3x6 Cap head screw
 TC3010 M3x10 Cap head screw
 TC3012 M3x12 Cap head screw
 TC3016 M3x16 Cap head screw
 TC3020 M3x20 Cap head screw
 TC3022 M3x22 Cap head screw
 TC3035 M3x35 Cap head screw
 TF2012 M2x12 Flat head screw
 TF2506 M2.5x6 Flat head screw
 TF3006 M3x6 Flat head screw
 TF3008 M3x8 Flat head screw
 TF3010 M3x10 Flat head screw
 TF3012 M3x12 Flat head screw
 TF3014 M3x14 Flat head screw
 TF4008 M4x8 Flat head screw
 TF4012 M4x12 Flat head screw
 MTS2012 M2x12 Set screw
 TMS3003 M3x3 Set screw
 MTS3005 M3x5 Set screw
 MTS4006 M4x6 Set screw
 TMN25 M2.5 Nylon nut
 TMN30 M3 Nylon nut
 TMNF30 M3 Flanged nylon nut
 TMNF40 M4 Flanged nylon nut
 TMN50 M5 Nylon nut
 TW030705 Washer 3x7x0.5mm
 TW320810 Washer 3.2x8x1mm
 TW050805 Washer 5x8x0.5mm
 TW060905 Washer 6x9x0.5mm
 TW151702 Washer 15x17x0.2mm
 TWS051005 Spring washer 5x10x0.5mm
 THJ080 Velcro strap 20x200mm
 THJ319 Antenna pipe set

NOTIZEN / NOTES



TAMIYA-CARSON
Modellbau GmbH & Co. KG

Werkstraße 1 // D-90765 Fürth // www.carson-modelsport.com

+49 3675 7333 343

Service-Hotline for Germany: Mo-Do 8-12 Uhr & 12.30-16 Uhr // Fr 8-12.30 Uhr
CARSON-Model Sport // Abt. Service // Mittlere Mutsch 9 // 96515 Sonneberg