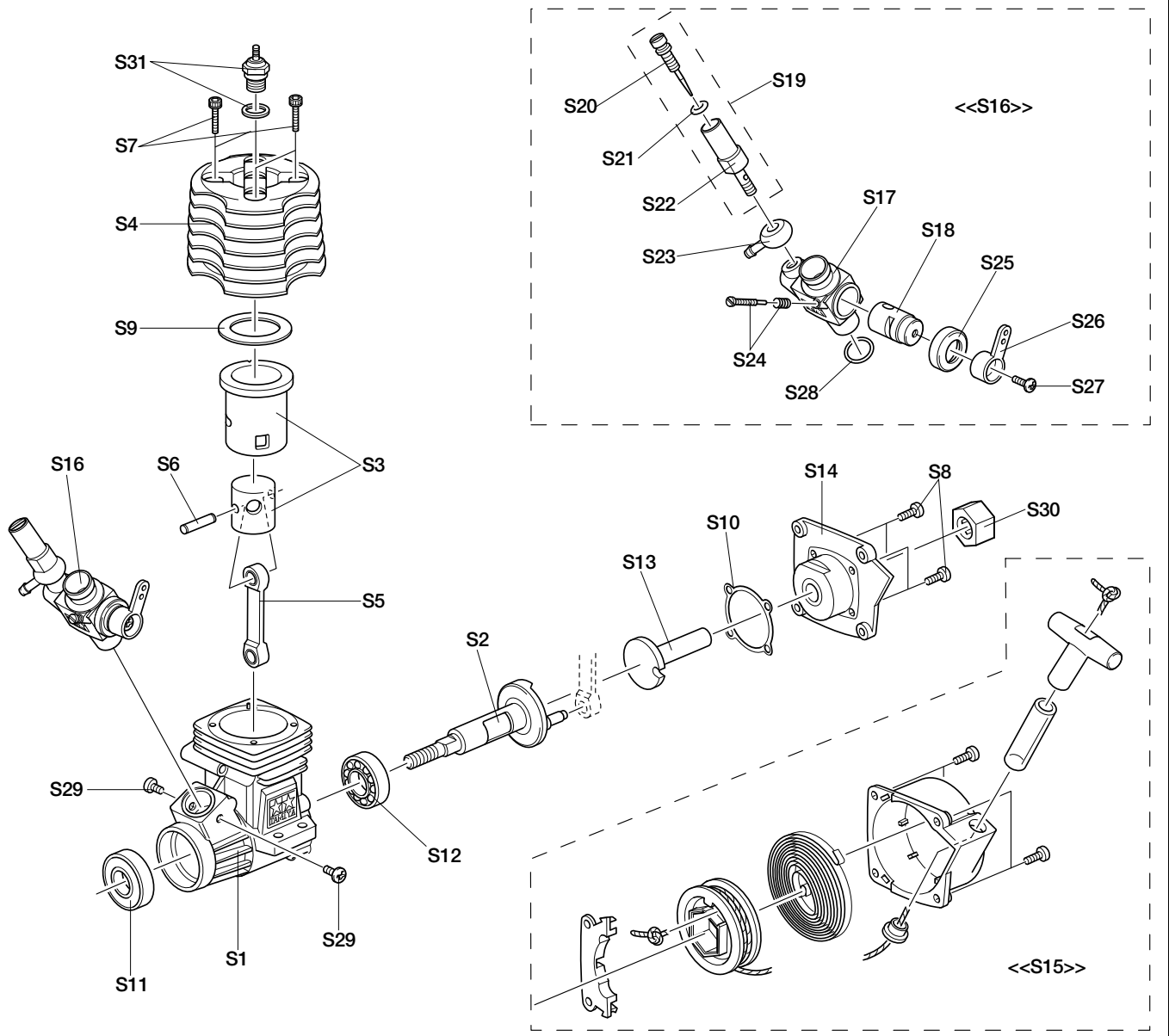


# TAMIYA FS-12SS ENGINE



- |     |                             |     |   |
|-----|-----------------------------|-----|---|
| S1  | Crank case                  | S17 | Carburetor                              |
| S2  | Crank shaft                 | S18 | Carburetor rotor                        |
| S3  | Cylinder unit               | S19 | Needle valve unit                       |
| S4  | Heat sink head              | S20 | Needle                                  |
| S5  | Connecting rod              | S21 | O-ring for needle                       |
| S6  | Piston pin                  | S22 | Needle holder                           |
| S7  | Screws for heat sink head   | S23 | Fuel inlet                              |
| S8  | Screws for rear adapter     | S24 | Idle adjustment screw & spring          |
| S9  | Head gasket                 | S25 | Dust cover                              |
| S10 | Rear adapter gasket         | S26 | Throttle arm                            |
| S11 | Crank shaft bearing (front) | S27 | Throttle arm fixing screw               |
| S12 | Crank shaft bearing (rear)  | S28 | Carburetor gasket                       |
| S13 | Starting shaft              | S29 | Carburetor fixing screws                |
| S14 | Rear adapter                | S30 | One-way bearing for recoil starter unit |
| S15 | Recoil starter unit         | S31 | Plug & plug washer                      |
| S16 | Carburetor assembly.        |     |   |

Customer service replacement parts  
Ersatzteil-Kundendienst  
Service Pièces Détachées

- Contact your local dealer/agent for parts not described in instructions.
- Wenden Sie sich bezüglich nicht in der Anleitung beschriebener Teile an Ihren örtlichen Fachhändler.
- Contacter le revendeur ou agent local pour les pièces non mentionnées dans les instructions.