

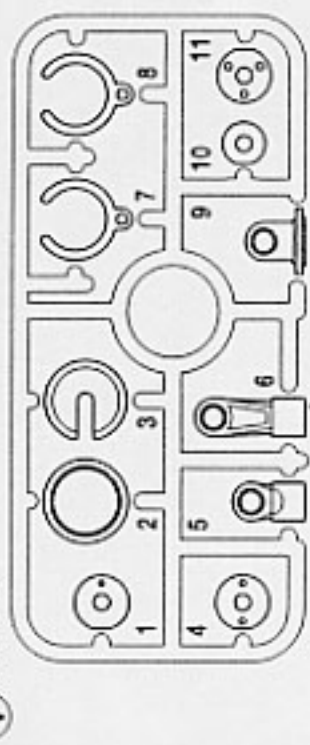
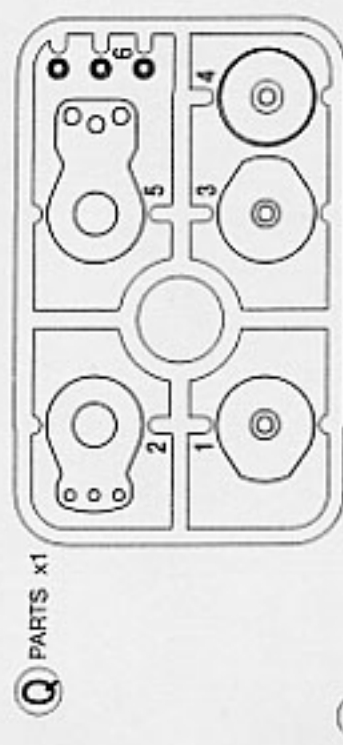
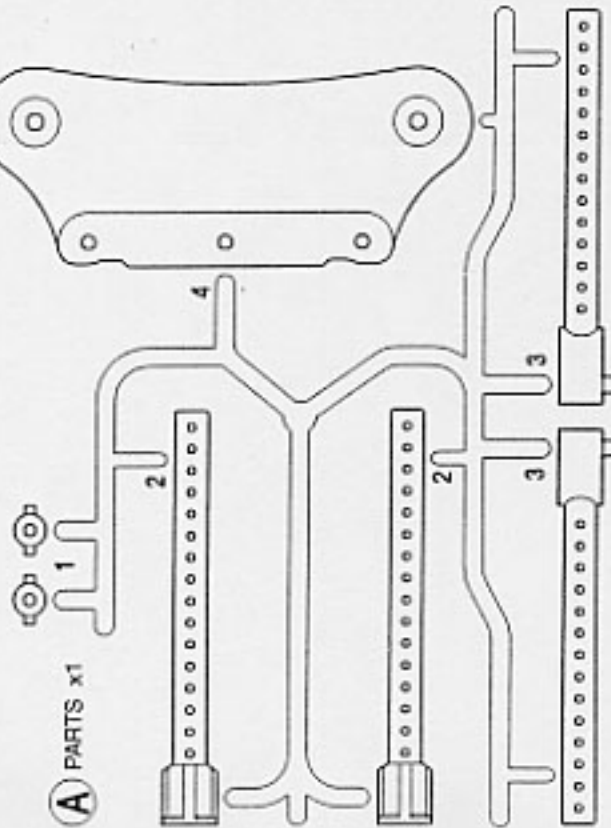
# TRF 414X



## IMPORTANT

- ★ Read carefully and fully understand the instructions before commencing assembly. Completely follow the instructions supplied.
- ★ This assembly kit is not suitable for children.
- ★ Knives and other trimming tools are required to complete this kit. Extra care should be taken to avoid personal injury.
- ★ Keep out of reach of small children. Children must not be allowed to suck any part, or pull vinyl bag over the head.
- ★ Always follow the operating instructions included in your R/C unit and battery (not included).

# PARTS



- 1** 2mm Lock nut x2
- 2** Diff spring x2
- 3** Diff joint L x2
- 4** Diff plate x4
- 5** 850 Ball bearing x8
- 6** 32T Ball diff pulley x2
- 7** Ball diff bushing x20
- 8** Tungsten ball x20
- 9** Diff joint R x2
- 10** 620 Ball thrust bearing x2
- 11** 2x25mm Cap screw x2
- 12** One-way joint x2
- 13** Front one-way housing x1
- 14** 32T One-way pulley x1
- 15** 2.6x6mm Cap screw x3
- 16** 6mm Adjuster x14
- 17** 3x38mm Turnbuckle x1
- 18** 3x10mm Cap screw x11
- 19** 6mm Ball collar x5
- 20** Aluminum racing steering L x1
- 21** Aluminum racing steering R x1
- 22** 3x18mm Turnbuckle x4
- 23** 6x6.5mm Ball nut x9
- 24** Steering linkage plate x1
- 25** 3x6mm Cap screw x26
- 26** 3x0.7mm Spacer x8
- 27** 630 Flange bearing x2
- 28** 3x8mm Cap screw x6

Box wrench x1  
 Hex wrench (1.5mm) x1  
 Hex wrench (2mm) x1  
 Hex wrench (2.5mm) x1  
 Ball diff grease x1  
 Double sided tape x1



29 Servo saver spring (gold) x2



30 Servo saver spring (silver) x1



31 3x10mm Tapping screw x5



32 2.6x10mm Tapping screw x1



34 Front bulkhead L x1



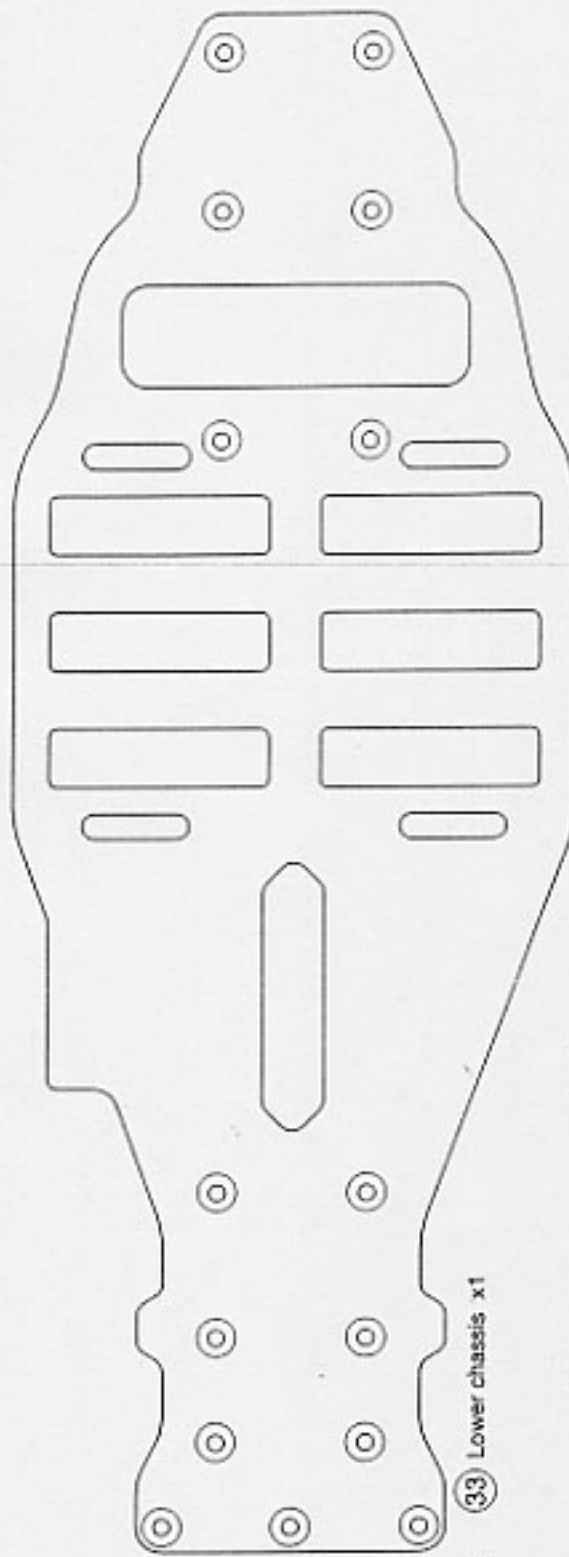
35 Front bulkhead R x1



38 Carbon hinge pin mount x2



39 Bulkhead beam x1



33 Lower chassis x1

40 Belt (short) x1

41 Belt (long) x1



42 Front nylon hinge pin mount x1



43 Rear nylon hinge pin mount x1



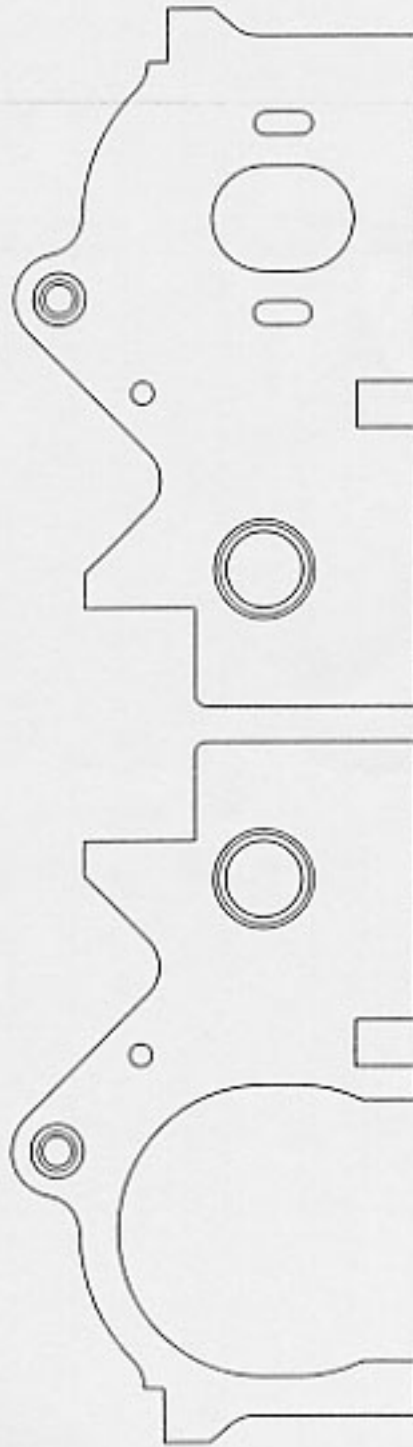
44 Steering post x2



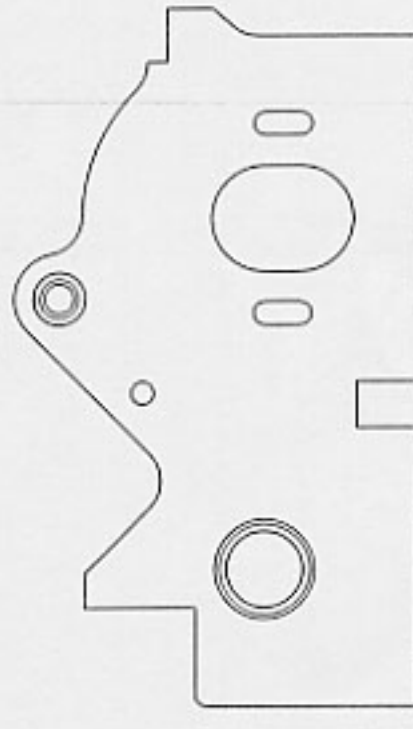
45 3x8mm Screw x10



46 3x18mm Screw x2



36 Rear bulkhead L x1



37 Rear bulkhead R x1



47 Upper chassis x1



49 5x2mm Spacer x12



48 Antenna mount x1



50 3mm Washer x6



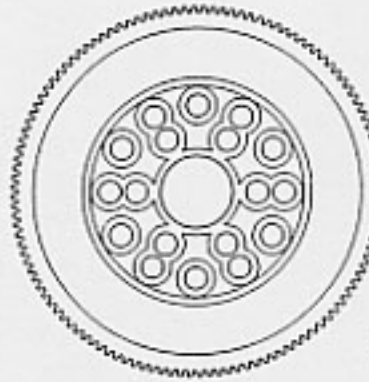
55 5mm Ball connector x4



56 Center shaft x1



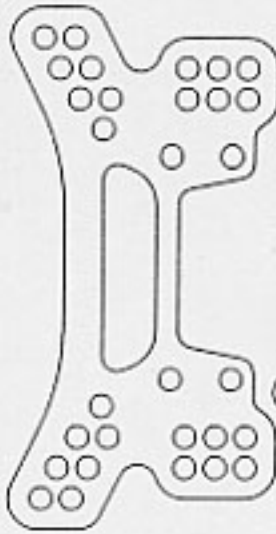
57 Spur gear hub x1



58 120T Spur gear x1



59 35T Pinion gear x1



51 Front shock tower x1



52 Rear shock tower x1



53 3x14mm Cap screw x4



54 7x3mm Spacer x8



63 Center shaft collar x1



64 Rear arm x2



60 3mm Grub screw x4



61 15T Pulley x2



62 15T One-way pulley x1



66 5mm Aluminum ball connector x4



67 3x30mm Shaft x2



68 2mm E-ring x24



69 Rear universal shaft x2



70 3x23mm Turnbuckle x2



71 Rear upright R x1



72 Rear upright L x1

Damper oil x1  
Antenna pipe x1



73) 1150 Ball bearing x4



74) Pin x4



77) King pin x4



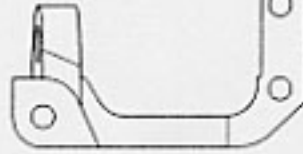
75) Wheel hub (thin) x2



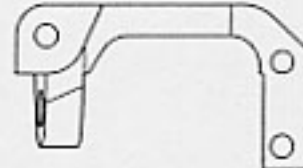
76) O-ring (large) x4



78) Front universal shaft x2



79) Front hub carrier R x1



80) Front hub carrier L x1



81) Front arm x2



82) 3x25.3mm Shaft x2



3mm O-ring (black) x2



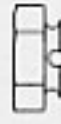
83) 1510 Ball bearing x2



84) Knuckle arm x2



85) 1260 Ball bearing x2



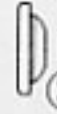
86) Wheel hub (thick) x2



87) Piston x4



88) Piston rod x4



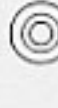
89) Oil seal x4



90) Cylinder x4



91) O-ring (red) x8



92) Rod guide x4



93) Shock spring (soft) x2



94) Shock spring (medium) x2



95) Shock spring (hard) x2



96) 3 x 48.5mm Shaft x 4



97) 3 x 10mm Tapping screw x 3



98) Setting dish wheel x 4



99) 4mm Flange lock nut x 4



100) Snap pin (small) x 10



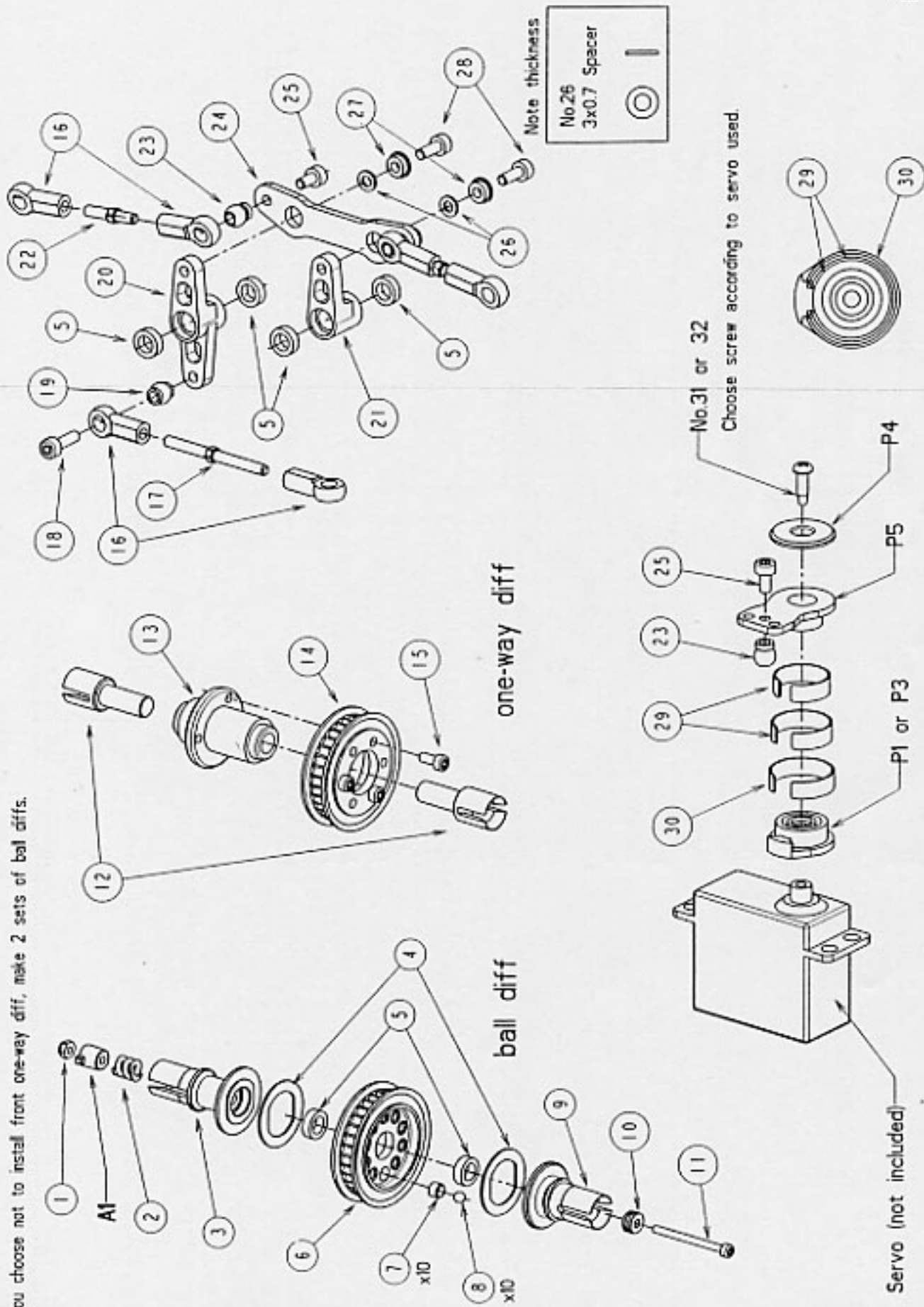
Antenna cap x1



101) Urethane bumper x 1

This racing car assembly kit is engineered through use of highly precision components. Completing the car to perform to its fullest potential shall require the utmost skill and attention during construction. Use of proper trimming tools is essential to ensure perfect installation of parts.

If you choose not to install front one-way diff, make 2 sets of ball diffs.



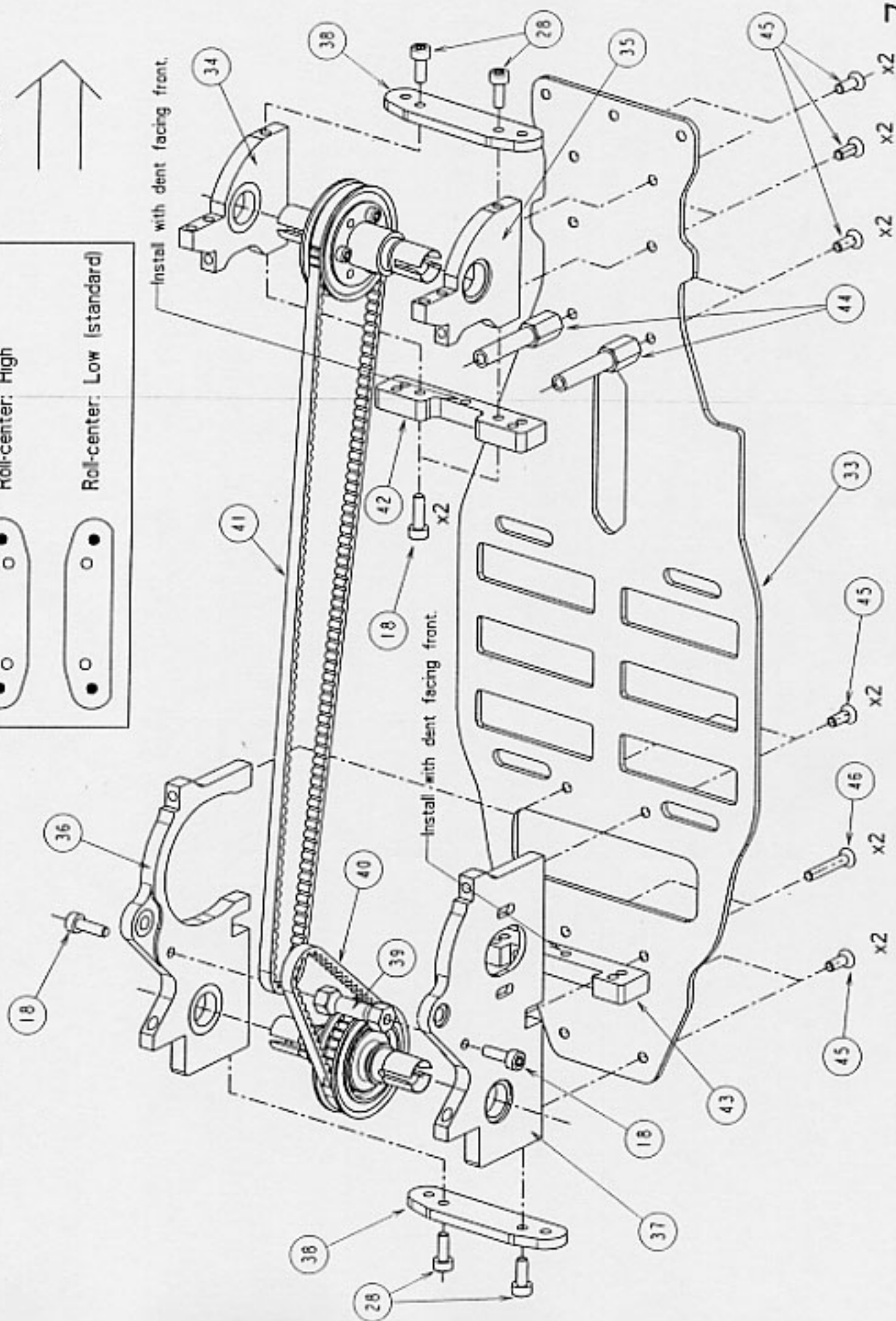
Front



Reversing plate No.38 can alter roll-center location

Roll-center: High

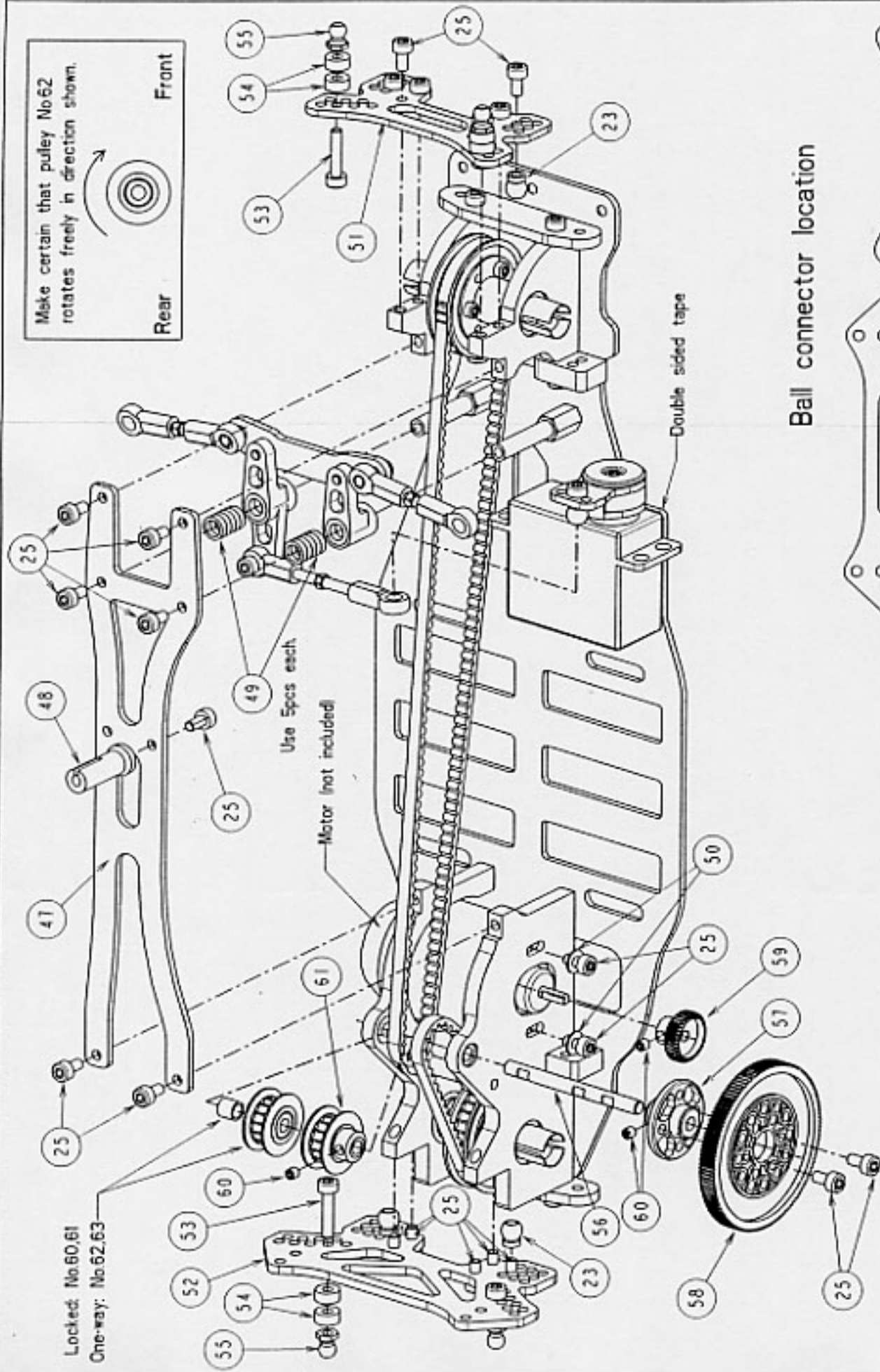
Roll-center: Low (standard)



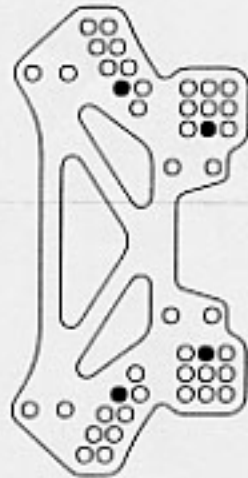
Make certain that pulley No62 rotates freely in direction shown.



Front  
Rear



Ball connector location



Standard gear ratio: 7.31 : 1 ( 120T Spur / 35T Pinion )

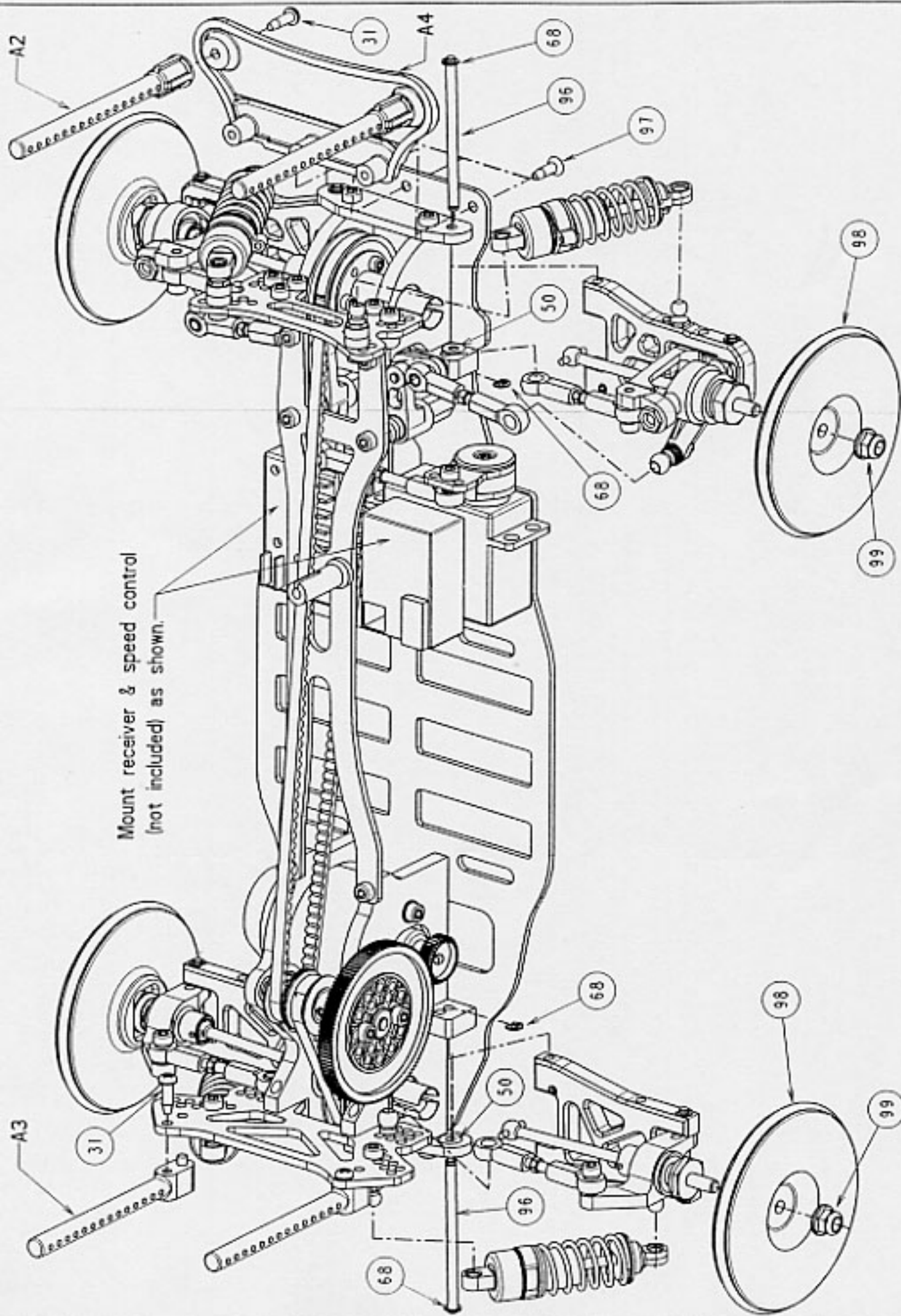
\* Use following formula to calculate your preferred gear ratio.

\* Use only 64-pitch spur and pinion.

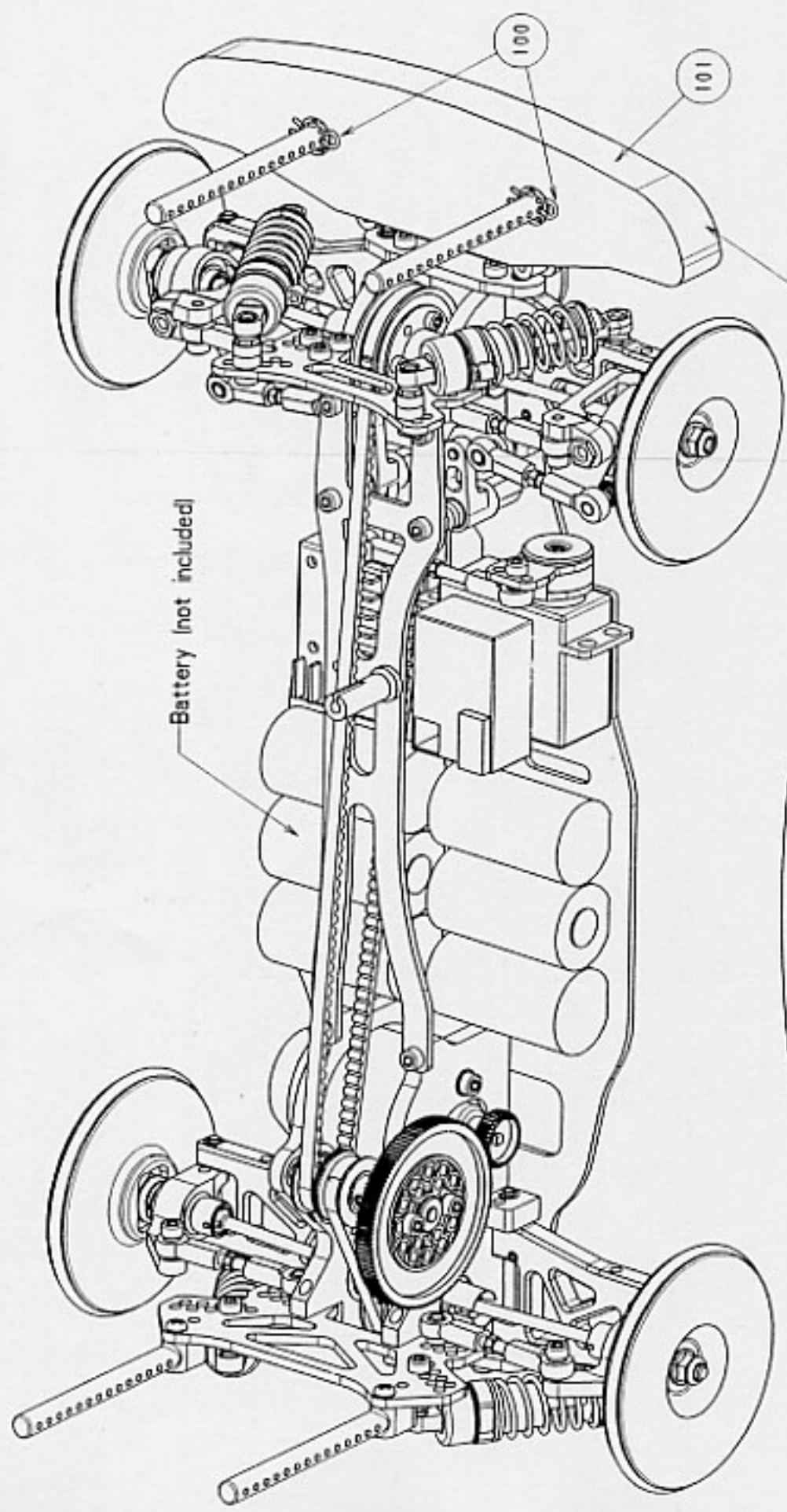
$( ( 32 \times \text{spur teeth} ) \div ( 15 \times \text{pinion teeth} ) ) : 1$







Mount receiver & speed control  
(not included) as shown.



Battery (not included)

100

101

Trim shaded area.

Trim bumper No.101 so as not to interfere with tire, chassis, and body shell.



Tamiya America, Inc.  
2 Orion Aliso Viejo, CA 92656

# TRF 414X

Your Limited Edition Chassis # \_ \_ \_/150

Reference Number	Description	Part Number
A	A parts	0449053
Q	Q parts	0115101
V	V parts	0225077
1	2mm Lock nut	2220007
2	Diff spring	5009001
3	Diff joint L	3489004
4	Diff plate	3459074
5	850 Ball bearing	5700023
6	32T Ball diff pulley	3549002
7	Ball diff bushing	3459075
8	Tungsten ball (11pcs.)	5700079
9	Diff joint R	3489005
10	620 Ball thrust bearing	5700051
11	2x25mm Cap screw	2040018
12	One-way joint	3459077
13	Front one-way housing	3459079
14	32T One-way pulley	3549003
15	2.6x6mm Cap screw	2040017
16	6mm Adjuster	0445226
17	3x38mm Turnbuckle	2520016
18	3x10mm Cap screw	2040005
19	6mm Ball collar	3455276
20	Aluminum racing steering L	3455447
21	Aluminum racing steering R	3455446
22	3x18mm Turnbuckle	2520021
23	6x6.5mm Ball nut	3455277
24	Steering linkage plate	4319001
25	3x5mm Cap screw	2040003
26	3x0.7mm Spacer	3459065
27	630 Flange bearing	5700076
28	3x8mm Cap screw	2040004
29	Servo saver spring (gold)	5295012
30	Servo saver spring (silver)	5295013
31	3x10mm Tapping screw	2080035
32	2.6x10mm Tapping screw	2080008
33	Lower Chassis	4009001
34	Front bulkhead L	3459058
35	Front bulkhead R	3459059
36	Rear bulkhead L	3459060
37	Front bulkhead R	3459061
38	Carbon hinge pin mount	4319002
39	Bulkhead beam	3459057
40,41	Belt bag	6249001
42	Front nylon hinge pin mount	4309009
43	Rear nylon hinge pin mount	4309010
44	Steering post	3459072
45	3x8mm Screw	2020020
46	3x18mm Screw	2020019
47	Upper Chassis	4009002
48	Antenna mount	3455437
49	5x2mm Spacer	3459066
50	3mm Washer	2300007
51	Front shock tower	4319003
52	Rear shock tower	4319005
53	3x14mm Cap screw	2040006

Reference Number	Description	Part Number
54	7x3mm Spacer	3455229
55	5mm Ball connector	3455250
56	Center shaft	3459076
57	Spur gear hub	3459064
58	120T Spur gear	3549004
59	35T Pinion gear	3519001
60	3mm Grub screw	2070012
61	15T Pulley	3549001
62	15T One-way pulley	3459078
63	Center shaft collar	3459063
64	Rear arm	3459081
65	3x12mm Grub screw	2070005
66	5mm Aluminum ball connector	3455389
67	3x30mm Shaft	3485059
68	2mm E-ring	2320002
69	Rear universal shaft	4139002
70	3x23mm Turnbuckle	2520022
71	Rear upright R	3459069
72	Rear upright L	3459068
73	1150 Ball bearing	5700021
74,75,76,86	Wheel hub bag	9409066
77	King pin	3459071
78	Front universal shaft	4139001
79	Front hub carrier R	3459070
80	Front hub carrier L	3459067
81	Front arm	3459080
82	3x25.3mm Shaft	3485045
83	1510 Ball bearing	5700053
84	Knuckle arm	5405034
85	1260 Ball bearing	5700018
74,75,76,86	Wheel hub bag	9409066
87	Piston	3455387
88	Piston rod	3455329
89	Oil seal	6275036
90	Cylinder	3455386
91	O-ring (red)	2995006
92	Rod guide	3455388
93	Shock spring (soft)	5009002
94	Shock spring (medium)	5009003
95	Shock spring (hard)	5009004
96	3x48.5mm Shaft	3485043
97	3x10mm Tapping screw	2080015
98	Aluminum set-up wheel	3459062
99	4mm Flange lock nut	2220005
100	Snap pin (small)	2915001
101	Urethane bumper	6275044
	3mm O-ring (black)	2995002
	Box wrench	5495003
	Damper oil 9cc (yellow)	6435033
	Ball diff grease 1g	6435044
	Hex wrench (1.5mm)	2990001
	Hex wrench (2.0mm)	2990027
	Hex wrench (2.5mm)	2990002
	Doubled sided tape	1905003
	Antenna cap	6274005