

# APOLLO LUNAR SPACECRAFT

1/70 SCALE

アポロ宇宙船



補足説明図

Supplementary instructions

## ATTENTION!

このキットは1969年に発売された製品の復刻版です。部品や説明図は当時の物を使用していますが、モーターや電池金具などのモーターライズ用の部品は入っていません。組み立ての際は補足説明図をいっしょにご覧ください。

This kit is a re-release of the original 1969 product. While it has the same parts and instructions, the motor and battery terminals for the motorization mechanism are not included. Refer to the supplementary instructions when assembling.

このキットにはディテールアップ用としてサーマルブランケット用の金色アルミシートとウインドウ用透明プラ板が新たに入っています。補足説明図の4ページまたはお手持ちの資料を参考にお使いください。

Gold aluminum foil for depicting thermal blanket and clear plastic plates for windows have been newly added to this kit. Refer to page 4 or your own references for attaching.

## Apollo Lunar Spacecraft

The Apollo 11 spacecraft consisted of three main sections: the Command Module, the Service Module, and the Lunar Module. There was also a special Launch Escape System located at the top of the spacecraft which was designed to detach the Command Module from the rest of rocket in the event of an abort situation. It was launched by the world's most powerful rocket, the Saturn V, with the spacecraft situated at the top of the rocket. The three booster stages of the Saturn V were used to send the spacecraft into earth orbit and after these stages and the Launch Escape System were jettisoned, only the spacecraft itself proceeded towards the moon.

Among the Modules, the Command Module served three essential purposes during the long trip from earth to the moon and back again. Firstly, it was a living compartment where the three astronauts ate their meals and slept. Secondly, it served as a working space where the astronauts received commands from the control center and transmitted their observations from space back to earth. Lastly, the most important mission performed by the Command Module was the retrieval of the astronauts in the Lunar Module after their trip to the moon's surface and then returning the entire crew safely back to earth. The Command Module therefore acted as both the "brain" and the "heart" of the entire spacecraft.

The Service Module was a 66m long, 3.9m cylindrical section which was situated behind the Command Module. Its exterior featured a main rocket engine that could produce 9.2 tons of thrust, smaller maneuvering thrusters for position adjustments, and dish-shaped high-gain antennas. Propellant tanks, fuel cells, and various life support and environmental control

systems were contained within this module and it also provided water and electricity to the Command Module. Thus the Command and Service Modules together enabled the three astronauts to survive during their mission into space.

## The Command Module

The Command Module was conical in shape, with a height of 3.6m and a diameter of 3.9m across its base. It featured a double-walled construction, with an inner airtight compartment filled with oxygen pressurized at 1/3 atmospheric pressure and an outer structure with extremely durable heat-shielding materials that could protect the astronauts inside from the 2,800°C temperatures during re-entry. There was enough room inside the module to allow each astronaut 2.06 cubic meters of space, which was only slightly more than what a typical American compact car of that period offered. However, the crew was able to live more comfortably than expected as they could easily access any part of the spacecraft thanks to the gravity-free environment.

Each crew couch was made with a steel tube frame covered by a strong fiberglass cloth and could be set to recline in the same way as a barber's chair. When lying down to sleep, the astronauts had to tie their sleeping bags down to their seats in order to prevent their bodies from floating free. The three couches were occupied, from left to right, by the Mission Commander, the Command Module pilot, and the Lunar Module pilot respectively.

The oxygen that filled the Command Module was always kept at a temperature of 25°C so that it helped to regulate the inside temperature of the module at the same time. Carbon dioxide and moisture exhaled by the crew were removed as the air passed through

sodium hydroxide in the circulation system and odor was removed with active carbon using the same process as that found inside a refrigerator. The spacecraft was equipped with plumbing and waste water systems and the Command Module in fact had two taps: one for hot water at 53°C, the other for cold water at 10°C. However, this water was a by-product of the onboard fuel cells, meaning it was devoid of any minerals and therefore tasteless. There were also two other compartments at the front and rear sections of the Command Module. The front compartment contained the parachutes and guidance beacon used during the return to earth, and there was a tunnel through the center of this compartment which served as a passage through which astronauts boarded the Lunar Module. The rear compartment carried the propellant for maneuvering thrusters, a water tank, as well as communication equipment.

## The Lunar Module

The Lunar Module was a two-man spacecraft designed to make a round trip to the moon's surface after detaching itself from the mother ship orbiting 110km above.

It was about 7m high, 9.5m wide when its spider-like landing gear was in extended position, and weighed 13.9 tons when it was fully loaded with fuel. The Lunar Module was a two-stage system: one for ascent and the other for descent. Each stage was attached to the other by four explosive bolts as well as a control cable.

When the Lunar Module descended onto the moon surface as one unit, the descent rocket engine would be fired to soften the landing. However, when returning to dock with the mother ship, the descent stage would be separated and only the ascent stage would make the

return trip by using its own rocket engine. The ascent stage was 3.8m tall and weighed 3.61 tons when fully loaded. Only two sections of the Lunar Module were airtight: the control compartment which managed both stages of the Lunar Module and the central compartment with a docking tunnel in its roof and the ascent rocket engine cover bulging from its floor. The control compartment's width and height were 2.35m and it was 1.07m deep, which meant that the two astronauts had to operate in only about 4.54 cubic meters, surrounded by their equipment. Furthermore, seats were omitted in order to save space and weight, so they had to stand for the duration of their 30 hour round trip from the mother ship to the moon's surface. Due to the much lower gravity of the moon, this was achievable, although the astronauts had to use seatbelts like those found in cars in order to secure themselves during descent, ascent, and when they were sleeping.

There was a main instrument panel in front of the pilot position, with a triangular window each as large as a 17-inch TV screen (0.176m<sup>2</sup>) on either side and the controls located in front of them. The upper section of each window was inclined outward so that it could provide a clear view of the Lunar Module's lower section. When facing the main instrument panel, the

commander stood on the right while the pilot stood on the left, although both can take turns at the controls as the system was interlocking. Above the pilot's head was a 15cm x 10cm skylight which enabled a clear view of the docking tunnel position when positioning to join with the mother ship. Finally, an 81cm x 81cm hatch was located below the main instrument panel, through which the astronauts disembark onto the moon's surface.

Fuel and oxygen tanks, the battery temperature control system and other equipment were positioned on the sides and rear of the central compartment's exterior and protected by angular covers. Also, an optical telescope for alignment use protruded upwards from the central part of the main instrument panel. The top of the ascent stage featured various antennas for communication with both the ground control center and the Command Module during rendezvous for docking.

The descent stage of the Lunar Module, including its fuel, weighed 12.6 tons. Only the descent rocket engine and fuel tanks were contained in a frame which looked exactly like five square boxes bundled together. The descent rocket engine could produce 4.4 tons of thrust, but the output could be adjusted to as low as 2.9 tons of thrust, and the thrust angle could

also be adjusted up to six degrees by swinging the nozzle like a bell. The Lunar Module had four landing legs, of which the one facing the hatch was equipped with a ladder. The round, dish-like pads at the ends of the landing gear legs were 91cm in diameter and they served to stop the landing gear from sinking into the lunar surface under the weight of the Lunar Module.

A slender 1.7m long rod was attached to the bottom of each pad. When the rods touched the lunar surface, an indication lamp on the instrument panel inside the ascent stage would light up, and the pilot would switch off the descent engine one second later and the Lunar Module would land. The rod thus helped ensure a secure landing as the astronauts inside could not check if the landing gear pads were fully in contact with the lunar surface just by looking out their windows.

The descent stage had two scientific equipment bays which contained a seismograph to be set on the lunar surface, a laser reflector, rock sample collecting equipment, and other scientific instruments. All walls and floors of the Lunar Module were made of aluminum alloy about 3mm thick, as the smaller gravitational pull on the surface of the moon was only 1/6 that of the earth, so stronger material was not necessary. This was also part of the designer's plan to reduce weight and increase fuel load.

### The Command Module

1. Docking Probe
2. Docking Ring
3. Main Parachutes
4. Access Tunnel
5. Front Wall
6. Food Compartment
7. Storage Compartment
8. Reaction Control System Fuel Tank
9. Reaction Control System Fuel Tank
10. Drinking Water Tank
11. Oxygen Tank
12. Reaction Control Thruster
13. Hydrogen Tank
14. High-Gain Antenna
15. Roll Thruster
16. Nozzle Extension Skirt
17. Roll Thruster
18. Reaction Control System Fuel Tank
19. Reaction Control Thruster
20. Pitch Thruster
21. Command Module Door
22. Window
23. Instrument Panel
24. Fuel Cells
25. Lunar Module Pilot
26. Command Module Pilot
27. Commander
28. Fuel Inlet
29. Service Module Top
30. Fuel Sump Tank
31. Docking Latches

### The Lunar Module

1. S-band Steerable Antenna
2. Rendezvous Radar Antenna
3. Inertial Measurement Unit
4. Reaction Control Thruster
5. Forward Docking Tunnel
6. Environmental Control System
7. Water Tank
8. Electric Instrument Panel
9. Main Instrument Panel for Navigation
10. Side Instrument Panel
11. Cabin Air Circulation System
12. Portable Life Support System
13. Equipment Bay
14. Ascent Engine Nozzle Cover
15. Crew Fittings
16. Cabin Pressure Valve
17. Portable TV Camera
18. Photoflood Lamp
19. Alignment Optical Telescope
20. Oxygen Tank
21. Fuel Tank for Ascent Engine
22. Helium Tank
23. Danger Alarm
24. Electric Exchanger
25. Helium Pressure Regulating Module
26. Emergency Helium Pressure Regulating Module
27. Relay Box
28. LM Guidance Computer
29. Pyro Battery
30. Relay Box for Explosive Bolt Unit
31. Navigation System
32. Attitude Control System

33. Descent Radar Electronic System
34. Lunar Surface Probe Equipment Bay
35. Forward Hatch
36. Handrail
37. Platform
38. Ladder
39. S-band Antenna
40. Descent Engine Nozzle
41. Descent Engine
42. Fuel Tank for Descent Engine
43. Landing Gear
44. Pad
45. Battery

### The Space Suit

1. Filtered Space Helmet for Ultraviolet and Infrared Ray Shield
2. Emergency Oxygen Supply System
3. Starting Valve for Emergency Oxygen Supply System
4. Sunglass Pocket
5. Space Camera for Activities on the Moon
6. Portable Life Support System
7. Hose for Communication, Ventilation and Cooling Water
8. Hose for Emergency Oxygen
9. Gloves
10. Electric Lamp Pocket
11. Pen and Memo Pocket
12. Utility Pocket
13. Coveralls for Thermal Insulation and Protection from Micrometeoroids
14. Cover for Water Injection and Outlet Opening
15. Lunar Boots

### ⚠ 注意

- 工具の使用には十分注意してください。特にナイフ、ニッパーなどの刃物によるケガや事故に注意してください。
- 接着剤や塗料は使用する前にそれぞれの注意書きをよく読み、指示に従って正しく使用し、使用するときは換気に十分注意してください。
- 小さなお子様のいる所での工作はやめてください。小さな部品の飲み込みや、ビニール袋をかぶつての窒息などの危険な状況が考えられます。

### ⚠ CAUTION

- When assembling this kit, tools including knives are used. Extra care should be taken to avoid personal injury.
- Read and follow the instructions supplied with paint and/or cement, if used (not included in kit). Use plastic cement and paints only.
- Keep out of reach of small children. Children must not be allowed to put any parts in their mouths or pull vinyl bags over their heads.

## RECOMMENDED TOOLS

### 《用意する工具》 Recommended tools

接着剤 (プラスチック用)  
Cement



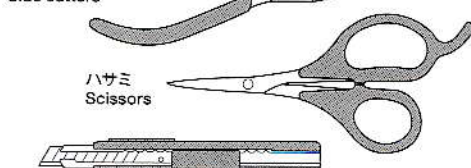
ピンセット  
Tweezers



ナイフ  
Modeling knife



ニッパー  
Side cutters



ハサミ  
Scissors

瞬間接着剤  
Instant cement



## APPLYING DECALS

### 《スライドマークのほりかた》

- ①はりたいマークをハサミで切りぬきます。
- ②マークをぬるま湯に10秒ほどひたしてからタオル等の布の上におきます。
- ③台紙のはしを手で持ち、貼る位置にマークをスライドさせてモデルに移してください。
- ④指に少し水をつけてマークをぬらしながら、正しい位置にずらしします。
- ⑤やわらかい布でマークの内側の気泡をおし出ししながら、おしつけるようにして水分をとりま。

### DECAL APPLICATION

- ①Cut off decal from sheet.
- ②Dip the decal in tepid water for about 10 sec. and place on a clean cloth.
- ③Hold the backing sheet edge and slide decal onto the model.
- ④Move decal into position by wetting decal with finger.
- ⑤Press decal down gently with a soft cloth until excess water and air bubbles are gone.



作る前に必ずお読みください。  
READ BEFORE ASSEMBLY.  
ERST LESEN – DANN BAUEN.  
A LIRE AVANT ASSEMBLAGE.

- お買い求めの際、または組立の前には必ず内容をお確かめください。万一不良部品、不足部品などがありました場合には、お買い求めの販売店にご相談ください。なお、組み立てを始めたあとは、製品の返品交換には応じかねます。
- 組み立てる前に説明書をよく見て、全体の流れをつかんでください。
- このキットには接着剤は含まれていません。プラスチック用接着剤（タミヤセメント）を別にお買い求めください。
- 接着剤、塗料は必ずプラスチック用を使用し、換気には十分注意してください。

- メッキ部品を接着する際は、必ず接着面のメッキをはがしてください。
- Study and understand the instructions thoroughly before beginning assembly.
- Read and follow the instructions supplied with paints and/or cement, if used (not included in kit).
- Use cement sparingly and ventilate room while constructing.
- Remove plating from areas to be cemented.



- このキットにモーターライズ機能はありません。このマークの組立番号は注意して組み立ててください。
- The motorization mechanism has been omitted from this kit. Note the assembly steps shown by this mark.

## 1 Command Module Assembly

- ★Make windows using transparent plastic plate referring to P.4.
- ★Do not cement A6 and A8. ★Cement Astronauts (A15) to B2, then B2 to B5.
- ★Position Door A (A14) onto the opening of A10, noting placement of pins. Do not cement.
- ★Cement B5 to A10. ★Place A6 onto A10. Do not cement.
- ★Cement A8 and A9, then press it onto the top of A10.

- PAINTING Silver : A9, A6, A10 (except for the areas covered by A6) and A14 (outside)
- Bluish white : A10, B5, A14 (inside) and A15 (seat).
- White : A15 (Astronauts' suit). Flesh color for faces.

- ★透明プラ板で司令船の窓を作ります。P4を参考にしてください。
- ★A6,A8は接着しません。

## 2 Battery Mount Installation

- ★NOTE : Motorized mechanism has been omitted from this re-issue kit. Motor and related metal parts are not included.
- ★Use instant cement for attaching C3.

- ★このキットではモーターライズは行いませんので、モーターや金具部品は含まれません。
- ★C3は瞬間接着剤で取り付けます。

- 不要部品…………… C1, C7
- Not used.

## 3 Service Module Interior Assembly

- ★Cement to B3 in order of B4, B9, and B10.
- ★Cement A20 to B6.
- ★Cement B6 to B4/B9/B10.

## 4 Door and Exterior Assembly

- ★Cement Hinge (A1) to A12.
- ★Place A12 onto Service Module Interior, correctly positioning Hinges into slots in B4. Do not cement.
- ★Cement A11 to B6 and B3.
- ★Cement B7 to B8.
- ★Do not cement A12.
- ★Attach A5 to the inside of the nozzle (B7).

- PAINTING Aluminum color : A11, A12 and B8
- Black or Dark brown : B7

- ★A5をノズル (B7) の内側に取り付けます。

## 5 Service Module Assembly

- ★NOTE : Batteries are not required.
- ★Cement parts according to the illustrations.

- ★電池は使用しません。

## 6 Propeller Assembly

- ★NOTE : Shaft and propeller are not included and not used.
- ★Attach A17 onto B8. Cement B8 to A11.

- PAINTING Silver : A2, A3, A4, A7, A16, A18 and A19
- Black : B1 (booster rocket portion)
- Aluminum color : B1 (box portion)

- Attaching Command Module and Service Module
- ★Secure C3 to the hole on the bottom of Command Module.

- ★シャフトやプロペラはキットには含まれません。
- ★A17は接着しません。

- 不要部品…………… C4, C6, C8
- Not used.

## 7 Ascent Stage Assembly

- ★Make windows using transparent plastic plate referring to P.4.
- ★Use Tamiya Extra Thin Cement for attaching E and F parts.
- ★Cement D27 to D11. ★Cement D9, D10 and D11 together.
- ★Cement other parts according to the illustrations.
- ★E2 is movable. Do not cement E2 to D16 and D17.

- NOTE : When cementing plated parts, remove plating from the areas to be cemented.

- PAINTING Silver : D15
- Black : D21, D19 (nozzle portion), E2, D17 (shaded area)

- ★透明プラ板で窓を作ります。P4を参考にしてください。
- ★E,F部品の取り付けには流し込み接着剤をお使いください。
- ★E2は可動します。

## 8 Descent Stage Assembly (1)

- ★Attach one E10 to each E8 and E9 (Extra parts are included as spares). Do not cement.
- ★Cement D28 to the inside of D22, then cement D22 and D23 together.
- ★Hook E10s onto D23. Note positioning of E10 with E9.
- ★Cement F2 to D23.
- ★Use Tamiya Extra Thin Cement for attaching E and F parts.

- PAINTING Black : F2

- ★E,F部品の取り付けには流し込み接着剤をお使いください。
- ★E8, E9, E10は接着しません。

## 9 Descent Stage Assembly (2)

- ★Cement E6 and E7 to D22, holding E8 in between.
- ★Cement F1 (4 pcs.) as shown.
- ★Cement Ladder (E11) onto E9. Cement E13 to D22, then E14 to E13. Be careful not to cement movable parts.
- ★Use Tamiya Extra Thin Cement for attaching E and F parts.

- ★E,F部品の取り付けには流し込み接着剤をお使いください。

## 10 Attaching Ascent and Descent Stages

- ★Place Ascent Stage as shown noting direction, and turn it clockwise 90 degrees to secure to Descent Stage.

## 11 How to Retract Landing Gear

- ★Release Landing Gear hooks from the pins and hook them onto the pins around the center nozzle (F2). Attach hooks in the numbered sequence as shown at the bottom right.
- ★Apply flag markings on both sides of E12.

### ●Astronaut Figures

- ★Cement Portable Life Support System (D24) to D25 and D26.

- PAINTING Silver : Shield Glass  
White : Suit and D24  
Blue gray : Gloves and Shoes

## 13 Spacecraft Assembly

- ★Cement D8 to D5.
- ★Cement D6 to D5, holding hinges on G1, G2, G3 and G4 in between. Note that G1 - G4 are movable.
- ★Place Landing Module on D5 and close G1 - G4. Insert upper edges of G1 - G4 into groove on the underside of Command Module.

## 12 Completion of Lunar Module

- ★Apply decals to Lunar Module referring to the picture.
- ★Position Lunar Module, Figures and Flag (E12) on Display Base.

## 14 Docking

- ★Do not hang the model from the ceiling.
- ★Remove A9, join Lunar Module and Command Module as shown and twist 90 degrees clockwise to secure.

- PAINTING Silver : Landing Gear Pads  
Black : Shaded areas  
Black or Dark brown : Command Module Engine Nozzle  
White or Silver : Other areas

★天井への取り付けはしないでください。

不要部品…………… C2, C5, C9, C10, C11, D29  
Not used.

## DETAIL UP

### 《アルミシート、マークについて》

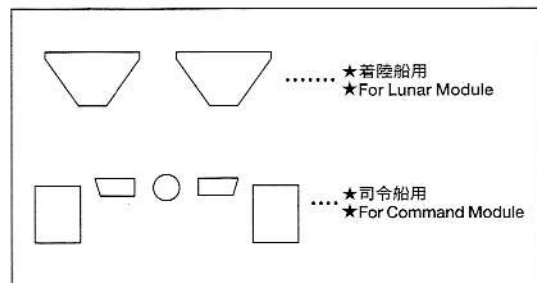
#### Aluminum foil and decals

★塗装やマーク、金色アルミシートの取り付けは完成写真やお手持ちの資料を参考にしてください。

★Refer to available reference sources for painting, applying decals, and attaching aluminum foil.

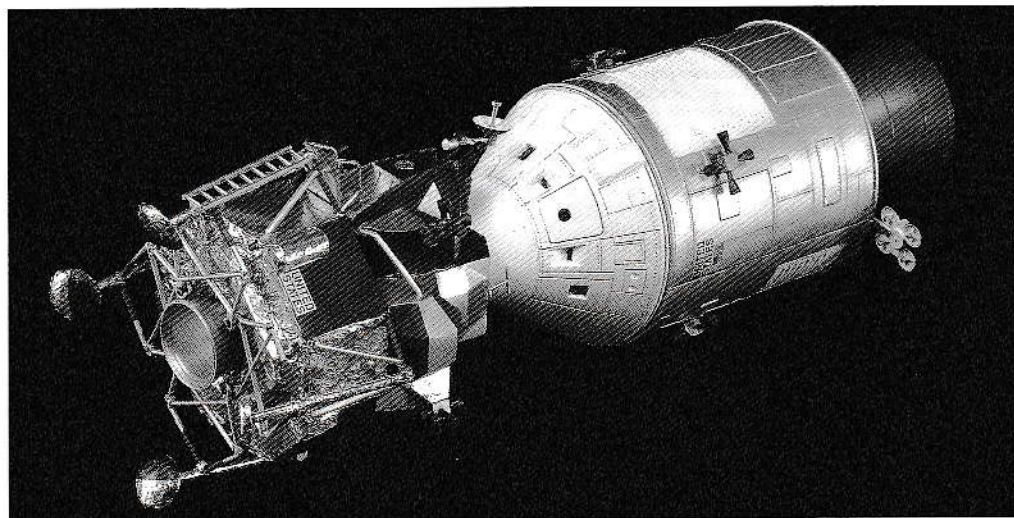
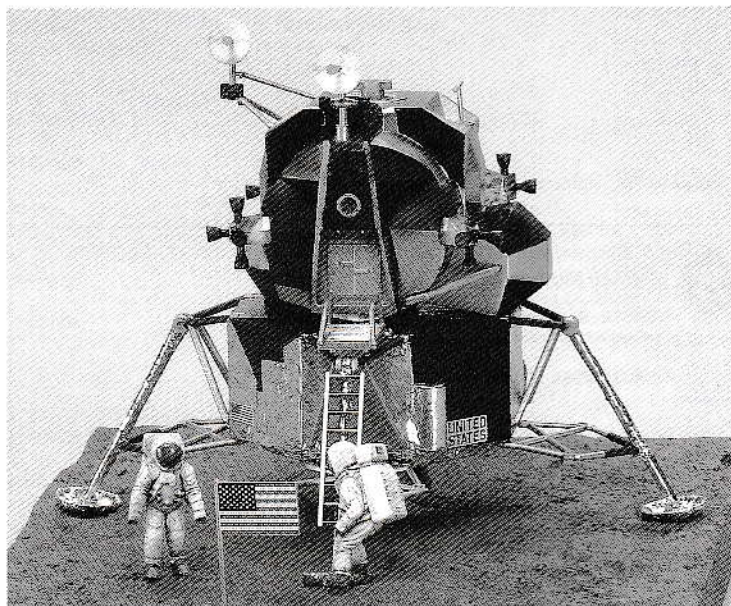
### 《ウインドウ原寸図》

#### Actual size of windows



★透明プラ板は指示のサイズに切り取り、司令船と着陸船のウインドウ部にお使いください。

★Cut transparent plastic plates into shown sizes and attach to window areas.



不要部品  
Not used.  
Nicht verwenden.  
Non utilisées.

A21, E8×1, E9×1, E10×1

●万一不良、不足部品などありました場合は、当社カスタマーサービスまでご連絡ください。

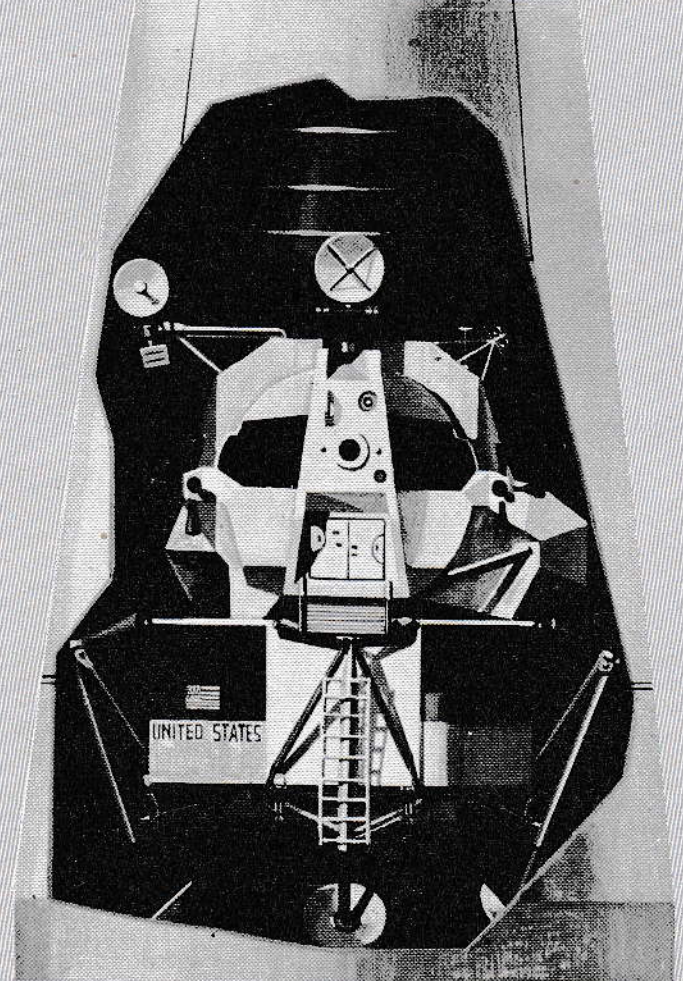
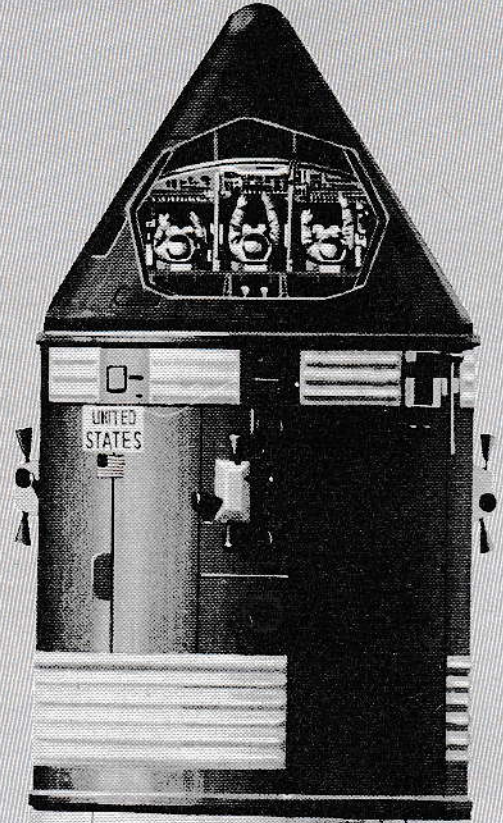
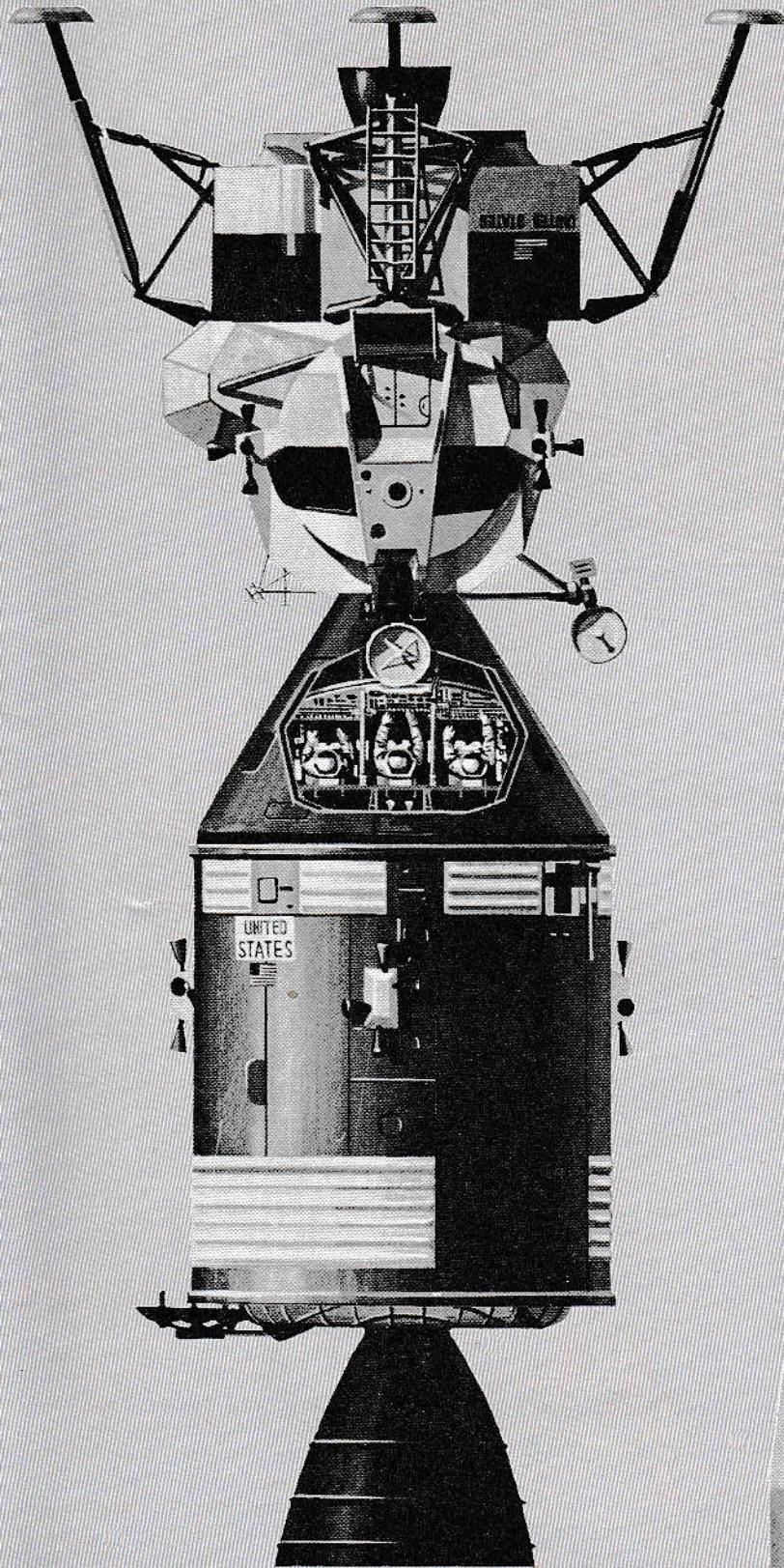
《お問い合わせ番号》 静岡 054-283-0003 東京 03-3899-3765 (静岡へ自動転送)

営業時間/平日 ▶8:00~20:00 土、日、祝日 ▶8:00~17:00

★★ TAMIYA

# APOLLO LUNAR SPACECRAFT

1/70 SCALE アポロ宇宙船  
APOLLO SERIES NO.3  
EASY ASSEMBLE PLASTIC MODEL KIT



# APOLLO LUNAR SPACECRAFT

## 《アポロ宇宙船》

アポロ11号宇宙船は司令船(Command Module)動力船(Service Module)月着陸船(Lunar Module)の3つの部分からなっていて、世界最大のロケットであるサターン5型によって発射されました。下図のように宇宙船は、サターン5型ロケットの先端部にありますが、地球の軌道に乗るまでには一番先端にある脱出用ロケットと一段から三段までの推進用ロケットは切り離され、宇宙船のみが月に向かって出発するわけですが宇宙船の中でも司令船は3人の宇宙飛行士が月への出発から地球への帰還までの長い時間、この中で食事をとり、睡眠をし、地球からの司令を受けたり宇宙での観測を電波で送ったりする働きのある場でもあり、月着陸船の乗員を回収し、地球に生還するという重要な役目を果たすいわば宇宙船の頭脳心臓ともいべき乗物です。

## SATURN V

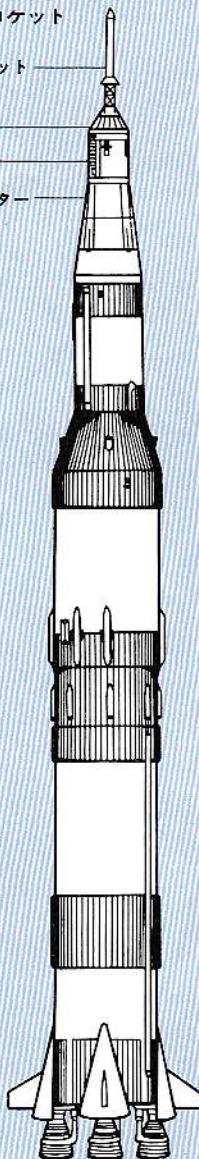
### サターン5型ロケット

非常脱出用ロケット

司令船

動力船

着陸船用アダプター

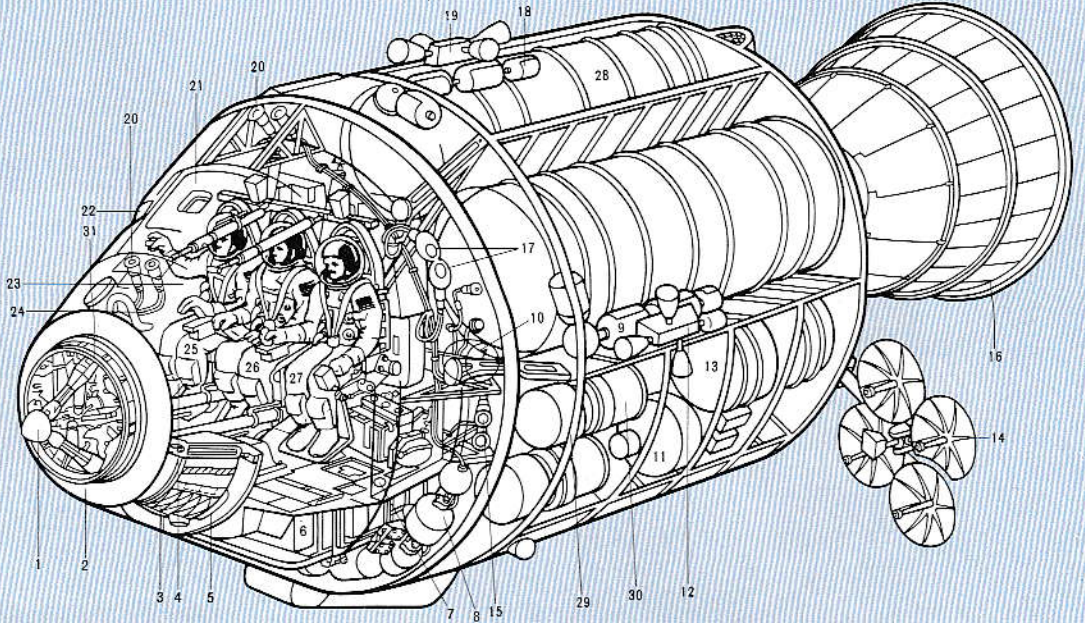


1. 船内環境調節装置
2. ドッキング用リング
3. メインパラシュート
4. ドッキングトンネル
5. 前部機械室仕切り板
6. 食料貯蔵室
7. 雑用物入
8. 小型ロケット用燃料タンク

9. 小型ロケット用燃料タンク
10. 飲料水タンク
11. 酸素タンク
12. 姿勢制御用小型ロケット
13. 水素タンク
14. 高感度アンテナ
15. 姿勢制御用小型ロケット(横ゆれ用)
16. 主ロケット噴射口

17. 姿勢制御用小型ロケット(自転用)
18. 小型ロケット用燃料タンク
19. 姿勢制御用小型ロケット
20. 姿勢制御用小型ロケット(縦ゆれ用)
21. 宇宙飛行士出入口
22. ランデブー用窓
23. 計器板
24. 排水装置

25. 月着陸船操縦士
26. 母船操縦士
27. 船長
28. 推進用燃料タンク
29. 前部仕切り板
30. 燃料電池
31. 掛けばね



## 《動力船》

動力船は司令船の後についているもので直径3.9メートル、長さ66メートルの円筒形で外部に推力9.2トンのロケットノズルとさら型の高感度アンテナ、姿勢制御用の小型ロケットがついています。この内部には、推進剤タンクをはじめ燃料電池、環境調節装置などがあり司令船の中に水や電力を供給します。したがってこの動力船と司令船とで3人の乗員が完全な宇宙生活ができるようになっているのです。

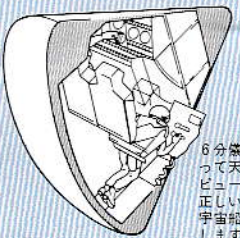
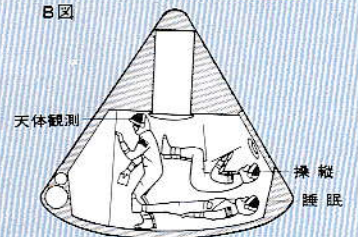
## COMMAND MODULE

### 《司令船》

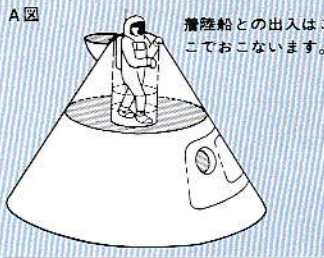
司令船は高さ、3.6メートル、底部の直径3.9メートルの円錐形になっています。構造は2重となっています。内側は気密室になっていて1/3気圧の酸素がつけられています。外側は大気圏に突入する際に起る2,800度という高熱から乗員を守るための丈夫な断熱材で作られています。司令船の内部の広さは、一人あたり2.06立方メートルでアメリカ製のコンパクトカーよりやや広い位です。しかし無重力状態で船内のどこでも自由に利用できるので地上で想像するよりずっと快適な生活がおくれます。座席はスチールパイプ製のワグに強じんなガラス繊維で織った布がはってあります。これは床屋さんの椅子

のようにリクライニングシートになっていますから寝るときは座席を平にして無重量で体が浮き出さないように寝袋を座席にしばりつけて中にもぐり込みます。三つの座席は左から船長、司令船操縦士、着陸船操縦士の順です。司令船内の酸素は常に25度に保たれていて室内温度調節の役割もはたしています。飛行士がはき出した炭酸ガスや水蒸気は循環装置内の水酸化ナトリウム中を通過させて取り除きにおいては電気冷蔵庫のにおい取りと同じ活性炭素で取り去ります。アポロ宇宙船にも上下、水道があります。司令船内には53度のお湯と10度の冷水の出るコックがついていますが水は燃料電池の副産物で井戸水と違ってミネラル分のない純粋な水だから大変味気のないものです。司令船部は前後に2つの機械室があります。前部機械室には帰還のときに使うパラシュートや誘導装置があり真中が月着陸船に乗り込む時の通路になっています。後部機械室には姿勢制御用のロケットの推進剤や水タンクや通信装置があります。

B図



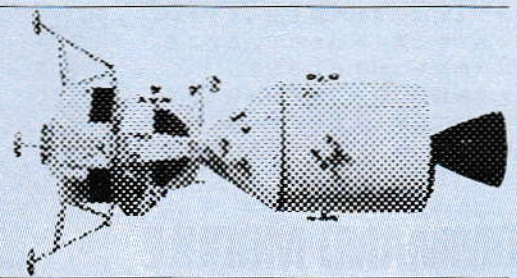
A図



## LUNAR MODULE

### 月着陸船

月着陸船は月の110キロ上空で待機する母船(司令船と機械船)から出発し月面を往復する二人乗りの宇宙船です。着陸船(LM)は2段式のロケットになっています。高さは約7メートル巾はクモのような脚をふくめて9.5メートル重さは燃料を満載した状態で13.9トンになります。着陸船は上昇用ロケットと下降用ロケットの2



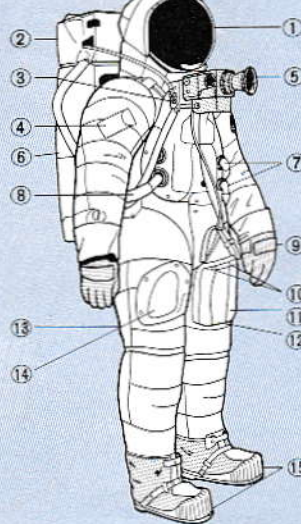
つからなっていますがそれぞれは4本の爆発ボルトでとめられており操縦系統のケーブルがつながっています。

月面に降りるときは上下一体で下降用ロケットエンジンを噴射して軟着陸しますが母船に帰るときは下降用ロケットを切り離し上昇用ロケットだけが、離陸用のエンジンの力で上昇し母船とドッキングするわけです。したがって着陸船の上段はそれだけで完全に独立して飛行できるロケットになっています。上昇用ロケットの大きさは高さ約3.8メートル、燃料を積んだ重さは3.61トンになります。上段を含めての着陸船全体を操縦する操縦室と、天井にドッキングトンネルがあき、床に離陸用エンジンの上部カバーの突き出た中央室だけが気密室になっていて約3分の1気圧の呼吸用酸素が供給されます。操縦室は高さ巾ともに2.35メートル、

奥行き1.07メートルしかなく機械類がつままっているので室内の空間は4.54立方メートルで大体2畳間より狭い広さです。この狭い空間と重量を軽くすることから椅子はなく二人の宇宙飛行士は母船と月面を往復する約30時間立ったままで仕事と睡眠をとります。こんな長い時間立ったままでいられるのは月面の重力が少ないからですが二回の睡眠をとるためと月面への降下や上昇の時にからだをささえる為自動車の安全ベルトのようなものを胸や腰についてからだが浮いたり倒れたりしないようにします。

操縦席の正面には主計器盤がありその左右に一つづつ(面積0.176平方メートル)17インチテレビの画面ほどの広さの三角窓があり、この窓は上の方が外側に傾いていて着陸船の下側がよく見えるように工夫してあります。操縦装置は左右の窓の手前に

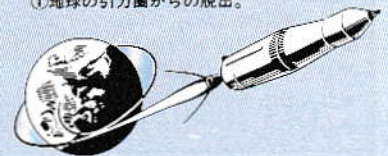
1. 紫外線・赤外線よけフィルター付宇宙帽
2. 緊急酸素供給装置
3. 緊急酸素供給装置給動弁
4. サングラス入れ
5. 月面活動用宇宙カメラ
6. 背箱(生命維持装置)
7. 通信・送気・冷却水のホース
8. 緊急酸素のホース
9. 船外活動用手袋
10. 電灯入れ
11. 筆記具入れ
12. 雑用品入れ
13. 船外活動用耐熱・耐凍膜
14. 放水口・送射口のカバー
15. 月面活動用オーバーシューズ



ています。脚の一番下の丸いサラ状のパッドは直径91センチで、これは着陸船の重みで着陸脚が月面にもぐりこまないためについています。着陸直前までこのパッドの下には1.7メートルの細長い棒がついていて、着陸船が降下して来て、この棒が月面にふれると上段の計器板に表示ランプがつきます。ランプがついてから一秒間で操縦士が着陸用エンジンスイッチを切りこの高さからそのまま落下します。これは乗員室の窓から着陸脚が全部月面についたかどうか見えないために考えられた方法です。着陸船下降部にはトランクが二つありこの中に月面に設置する地震計やレーザー光反射器、岩石採取器などの科学調査機械がおさめてあります。着陸船の床や壁は厚さ約3ミリのアルミ合金で作られています。これは重力が地球の6分の1しかない月面で使うのでそんなに強い材料を使わなくてもよいのと、できるだけ機体重量を軽くして、それだけ燃料をたくさん積むために考えられたのです。

着陸船と司令船のドッキング

①地球の引力圏からの脱出。



- |                   |                  |                    |
|-------------------|------------------|--------------------|
| 1. 方向可変型短波アンテナ    | 16. 船内気圧バルブ      | 31. 操縦装置           |
| 2. ランデブー用レーザーアンテナ | 17. ボータブルテレビカメラ  | 32. 姿勢制御装置         |
| 3. 慣性測定装置         | 18. 操縦用ライト       | 33. 着陸用レーザー電子装置    |
| 4. 姿勢制御用ロケット      | 19. 天測用望遠鏡       | 34. 月面調査機械収納箱      |
| 5. ドッキング用出入口      | 20. 酸素タンク        | 35. 船外出入用ハッチ       |
| 6. 船内環境調節装置       | 21. 燃料タンク 上昇用    | 36. 手すり            |
| 7. 水タンク           | 22. ヘリウムタンク      | 37. プラットホーム        |
| 8. 電光計器板          | 23. 危険警報器        | 38. はしご            |
| 9. 操縦用主計器板        | 24. 電気交換器        | 39. 短波用アンテナ        |
| 10. 側面計器板         | 25. ヘリウム圧力装置     | 40. 下降用ロケットエンジンノズル |
| 11. 船内空気循環装置      | 26. 緊急用ヘリウム圧力装置  | 41. 下降用ロケットエンジン    |
| 12. 携帯用生命維持装置     | 27. リレーボックス      | 42. 下降用燃料タンク       |
| 13. 荷物入れ          | 28. 着陸船誘導コンピューター | 43. 着陸用脚           |
| 14. 上昇用エンジンノズルカバー | 29. バイロバッテリー     | 44. パッド            |
| 15. バイロント用備品      | 30. 操縦装置用リレーボックス | 45. バッテリーコールドプレート  |

あります。計器盤に向って右側に船長左側に操縦士がつかますが操縦装置は運動式で1人ずつ交代で操縦が出来ます。

着陸船の操縦士の頭の上には縦15センチ横10センチの天窓があります。これは司令船とのドッキングは天井側にあるドッキングトンネルの部分であるので頭上に近づく司令船の位をたしかめながら操縦するためです。主計器盤の下に縦横とも81センチのハッチがあり飛行士たちはここを通過して月面におります。

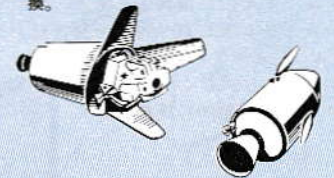
燃料や酸素を入れたタンクや電池温度調整装置などは中央室の両わきと背後の外側に取りつけられており角ばったカバーでおおわれています。主計器盤の中央部から天測用望遠鏡が上に突き出しており、また上部には地球との通話用や司令船とのランデブー用のアンテナがたくさんついています。

着陸船の下降部は燃料を含めて12.6トンになります。着陸用エンジンと燃料タンクだけが四角な箱を5つなぎ合せたような形のフレームに入っています。着陸用エンジンの推力は約4.4トンで2.9トンまでかえられ噴射方向も噴射ノズルを釣り鐘のように振らせることによって6度だけかえられます。着陸船には4本の着陸用の脚がついていて上段の出入ハッチに面した脚にはハシゴがつい

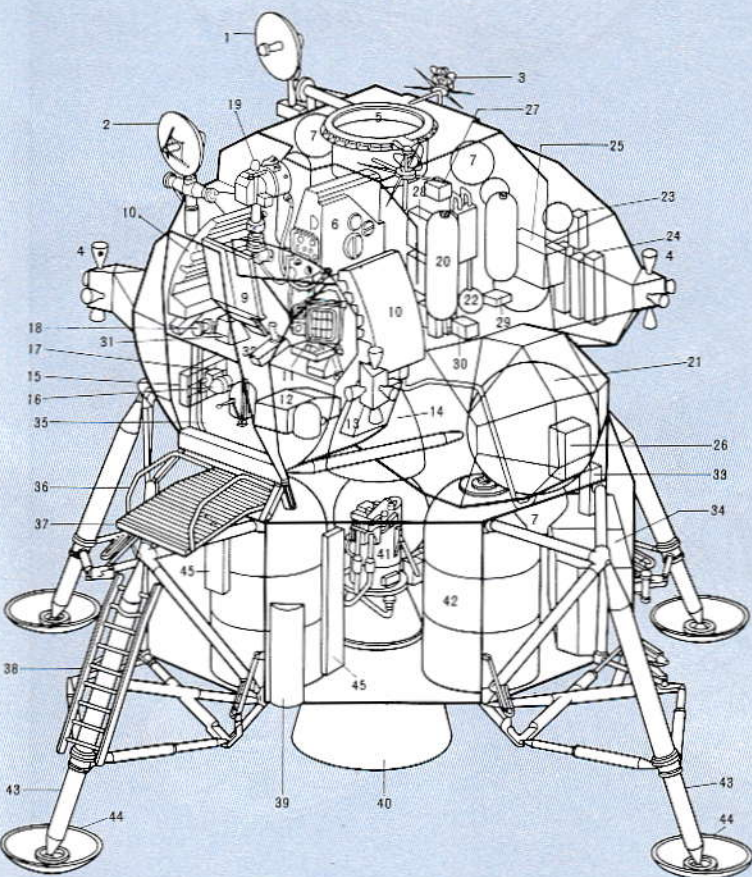
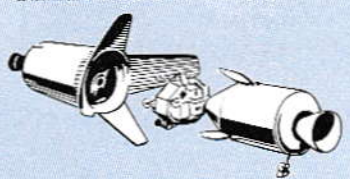
②姿勢制御用ロケットによる司令船とアダプターとの切りはなし。



③姿勢制御用ロケットによる司令船の方向転換。



④着陸船と司令船とのドッキング。



★作る前に必ず説明書を読んで下さい。  
 ★図の中に青く印刷されているところは接着剤をつけるところです。  
 ★塗装説明はPAINTING及び8ページで説明してあります。細い部品はランナーに付いているうちに塗ってしまうと便利です。

# COMMAND MODULE

## ◀母船の組み立て▶

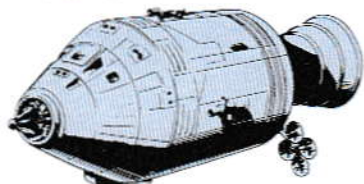


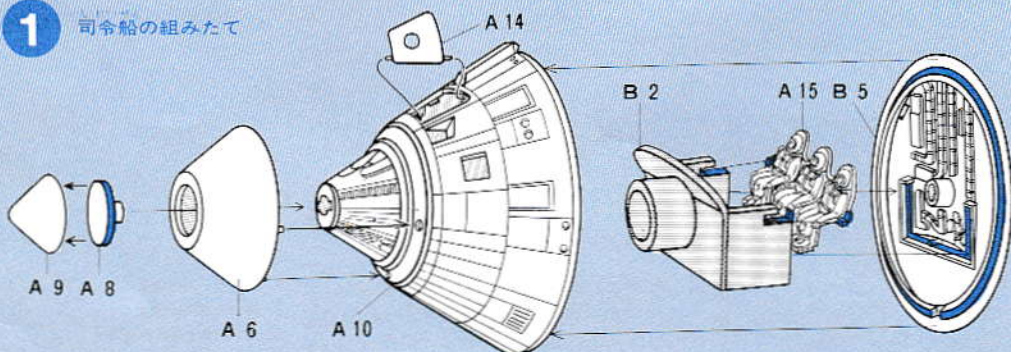
図-1 《司令船の組み立て》

★A9にA8を接着します。  
 ★司令船A10にA6、A9の順にはめこみます。  
 ★B2にパイロットA15を接着してからB2とB5をつけます。次に司令船A10にB5を接着します。  
 ★A14をA10にはめこみます。

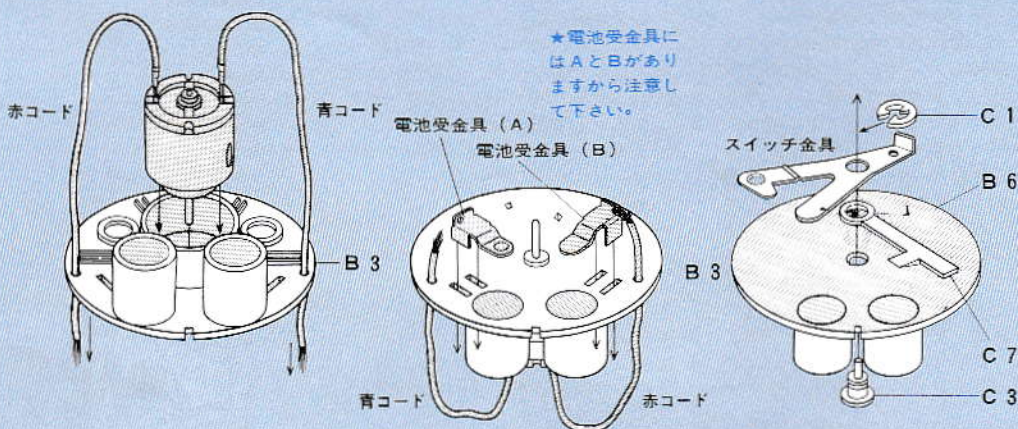
### ●PAINTING

銀：A9・A6・A10（A6の内部に入る個所はぬらない）・A14（表側）  
 ライトブルー（白に近い）：（A10・B5・A14）内部・A15（シートの部分）  
 白：A15（人形・顔はハダ色）

## 1 司令船の組み立て



## 2 配線のしかた及びスイッチの組み立て



## 3 機械船の組み立て(1)

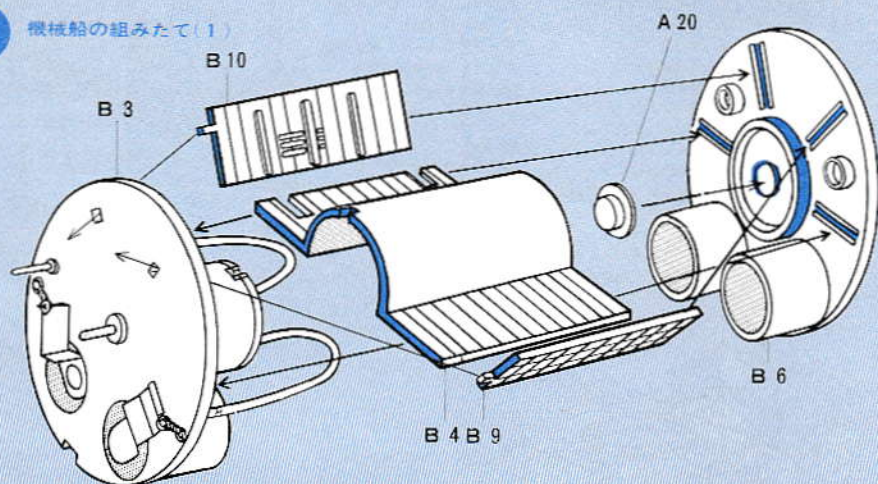


図-2 《配線のしかた及びスイッチの組み立て》

B3にRE-14モーターを取り付けます。  
 ★モーターのコードをB3の穴に通した後、電池受金具A,Bにつなぎます。  
 ★電池受金具A,BはB3から出ている部分を折り曲げて取り付けます。  
 ★C3をB6、C7、スイッチ金具に通し、C1で固定します。

図-3 《機械船の組み立て(1)》

★B3にB4、B9、B10の順に接着します。  
 ★A20をB6に接着します。  
 ★B6を機械船に接着します。

## 4 機械船の組み立て(2)及びノズルの組み立て

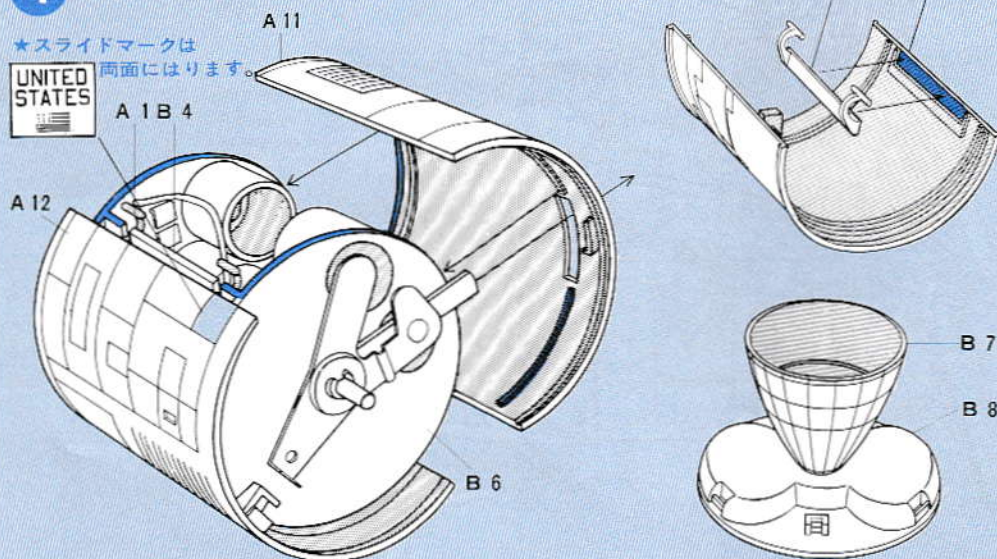


図-4 《機械船の組み立て(2)及びノズルの組み立て》

★A1をA12に接着します。  
 ★A1をA12に取り付けた後、ヒンジ(A1)をB4の溝に取り付けます。接着はしないでください。  
 ★A11を機械船に接着します。

### ●PAINTING

アルミ色：A11、A12、B8

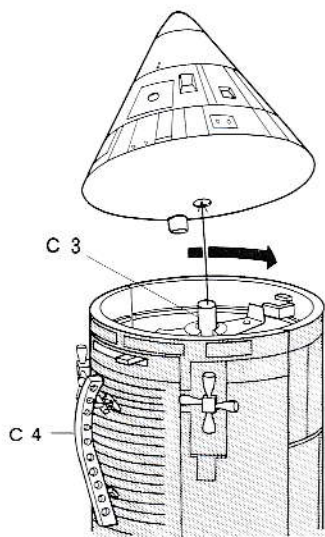


図-6 《プロペラの組み立て及びシャフトの取付け》

- ★透明のプロペラをC 8にはめ焼いたドライバーなどで焼きとめます。
- ★C 6 にシャフトを1cmの深さにまっすぐさしこみます。
- ★モーターシャフトにC 6をさしこみます。B 8をA11にプロペラをシャフトにさします。

● PAINTING

- 銀：A (2、3、4、7、16、18、19)
- 黒：B 1 (ロケットブースターの部分)
- アルミ色：B 1 (ボックスの部分)

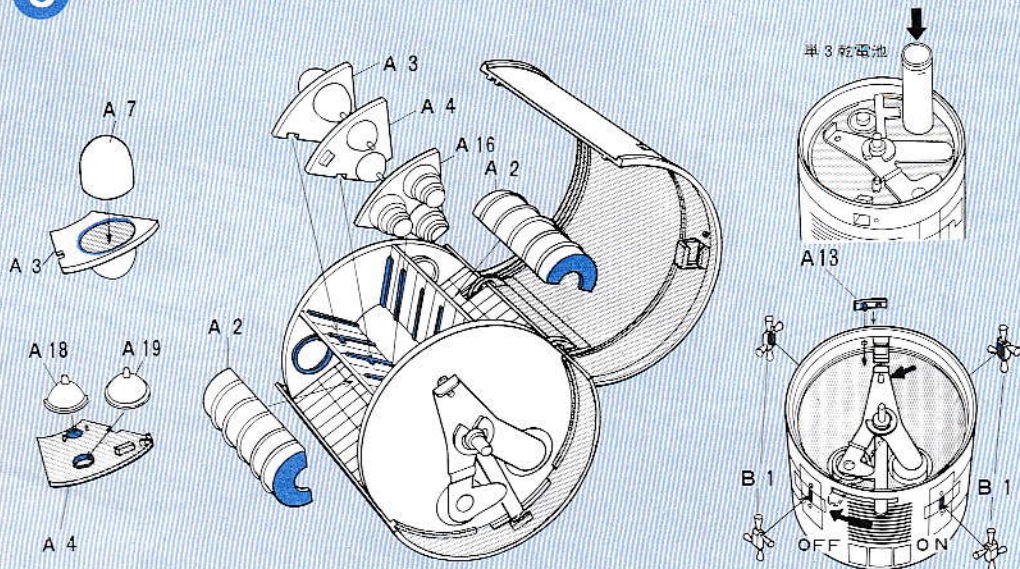


機械船と司令船のとりつけ

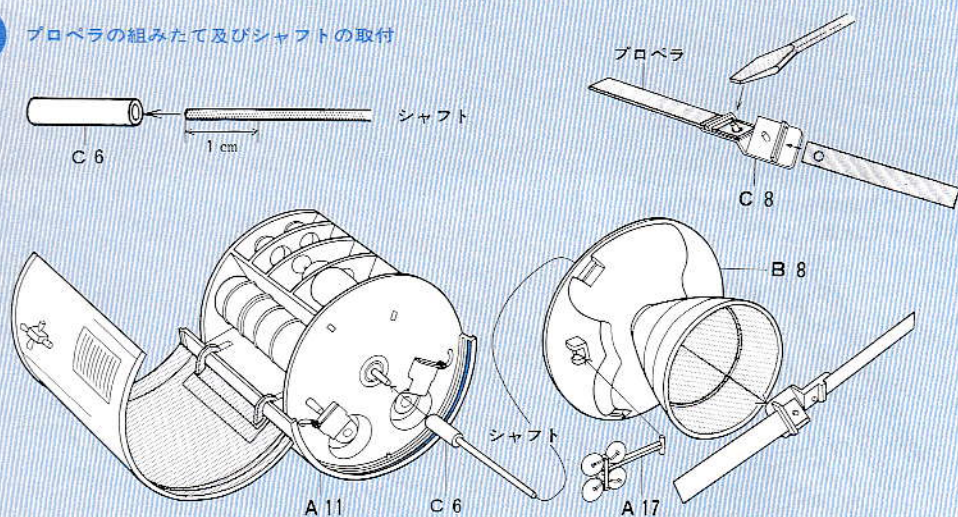
- ★機械船のピンC 3を司令船の穴にはめ、機械船のカバーをとめます。
- ★C 4を機械船にひねりながらはめこみます。

注 ★図 6で組み立てるプロペラは金具部品の袋に入っています。プロペラは透明ですから見落とさないようにして下さい。

5 機械船の組み立て(3)及び乾電池の入れかた



6 プロペラの組み立て及びシャフトの取付け



LUNAR MODULE

《着陸船の組立て》

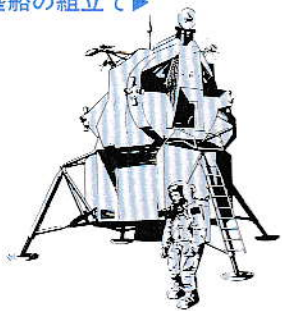


図-7 《着陸船上昇部の組み立て》

- ★上昇部の前D 9と後D10をつけます。D11にD27を下側から接着したものの上昇部に接着します。
- ★姿勢制御ロケットD21をはじめその他の部品を接着して下さい。

《メッキ部品の接着の注意》

- ★メッキされた部品を接着するときは接着するところのメッキをナイフでけずり落して下さい。

● PAINTING

- 銀：D15
- 黒：D21・D19 (ノズル部分)・E2・D17 (アミカケの部分)

7 着陸船上昇部の組み立て

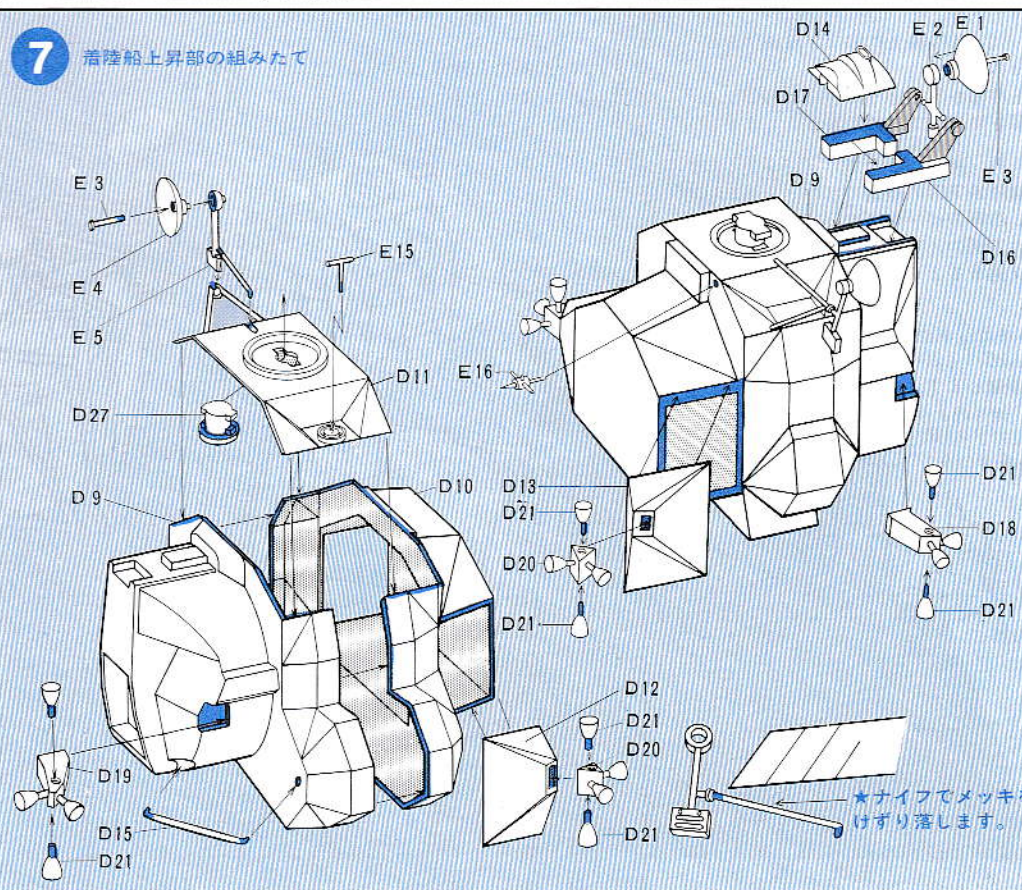


図-8《着陸船下降部の組み立て-1》

- ★3本のE8と1本のE9のそれぞれにE10をはめます。
- ★予備部品はE8、E9、E10にそれぞれ1本ずつあります。
- ★D22にD28を接着してから下降部底D23を下降部D22に接着します。
- ★E9の付いたE10は図の中央部に取付けますから注意して下さい。
- ★F2をD23に接着します。

● PAINTING

黒：F2

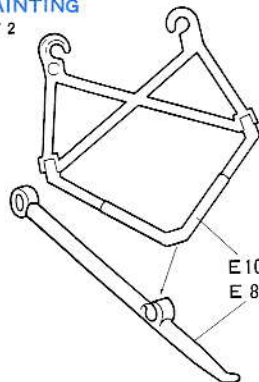


図-9《着陸船下降部の組み立て-2》

- ★下降部D22に着陸脚をはめながらE6とE7を接着します。
- ★3本のE8と1本のE9にパッドF1を接着します。
- ★E9にはしごE11を接着します。そしてE13、E14を接着します。この場合にE9の可動部分に接着剤が流れ込まないように注意して下さい。

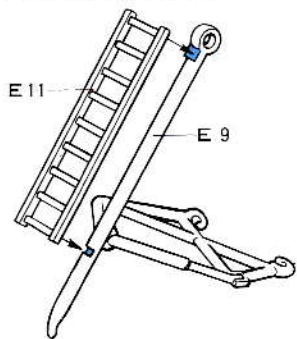


図-10《着陸船上昇部と下降部のとりつけ》

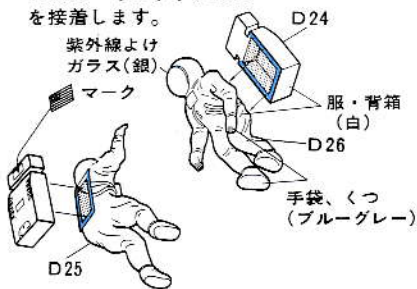
- ★上昇部を図のように下降部にはめ上昇部を矢印の方向に90度まわします。

図-11《脚のしまい方》

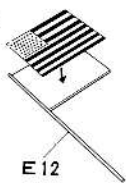
- ★着陸船下面の外側のピンから脚をはずし内側のピンにはめ込みます。この際右下図のように①～⑧まで順番に脚が交差するようにはめ込みます。

《パイロットの組み立て》

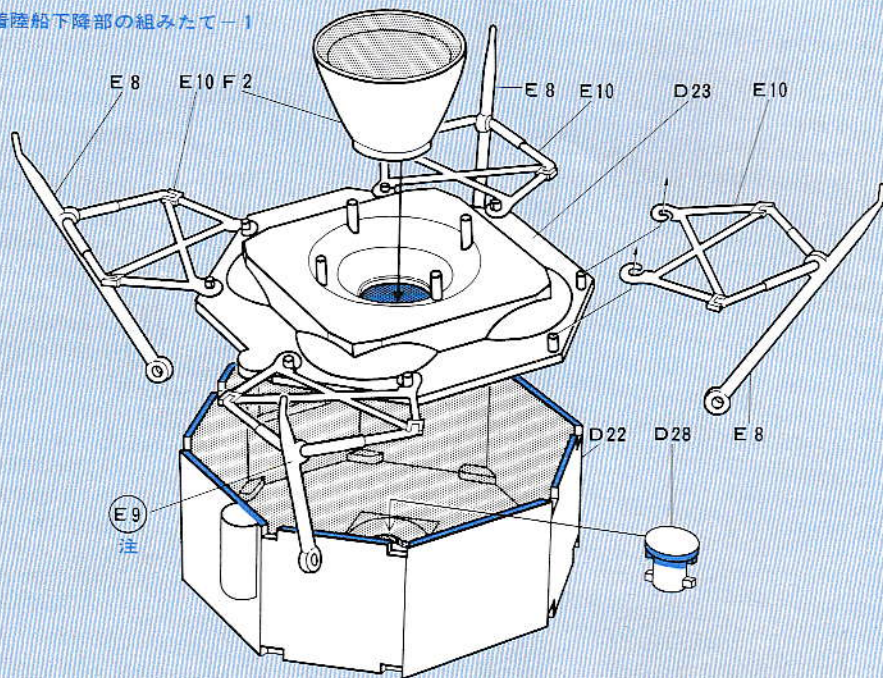
- 2人のパイロットにD24を接着します。



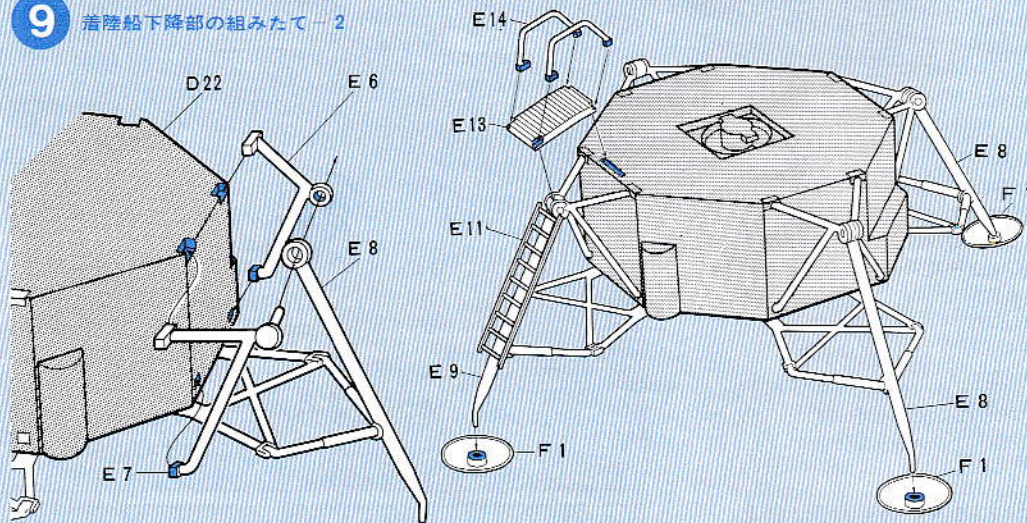
- ★マークは裏面もはって下さい。



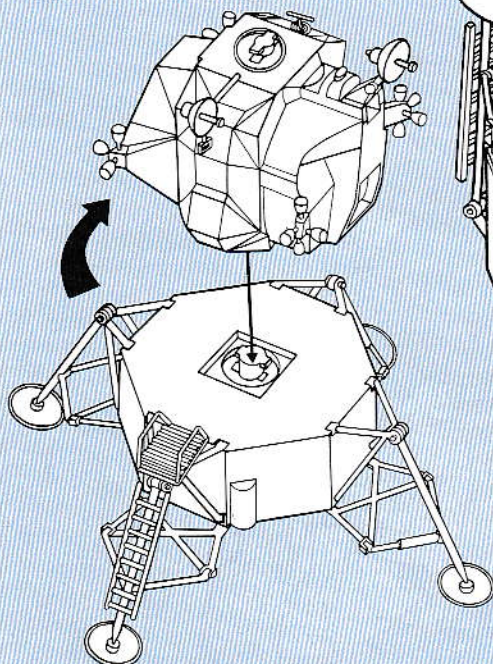
8 着陸船下降部の組み立て-1



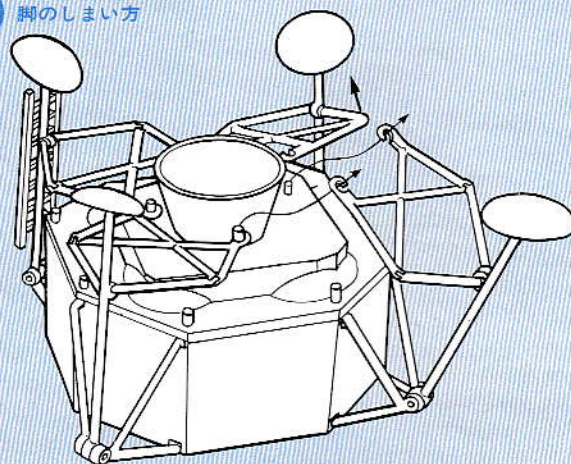
9 着陸船下降部の組み立て-2



10 着陸船上昇部と下降部のとりつけ



11 脚のしまい方



《脚のしまい方略図》

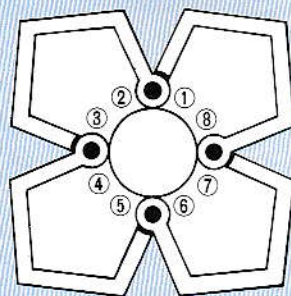


図-12 《着陸船完成写真》

★着陸船にスライドマークをはり、月面展示台にE12及び着陸船、パイロットを置いて下さい。

図-13 《スペースクラフトの組立て》

★G(1・2・3・4)のヒンジ部にD6をかぶせ接着します。

★この際接着剤がG部品のヒンジ部に流れ込まないように注意して下さい。

★着陸船をD5に入れG部品を閉じた後、司令船下面のみぞにG部品の先端部をはめ込みます。

★展示する場合にはC4及びプロペラシャフト、プロペラは、はずして下さい。

12 着陸船完成写真



13 スペースクラフトの組立

スペースクラフト完成写真

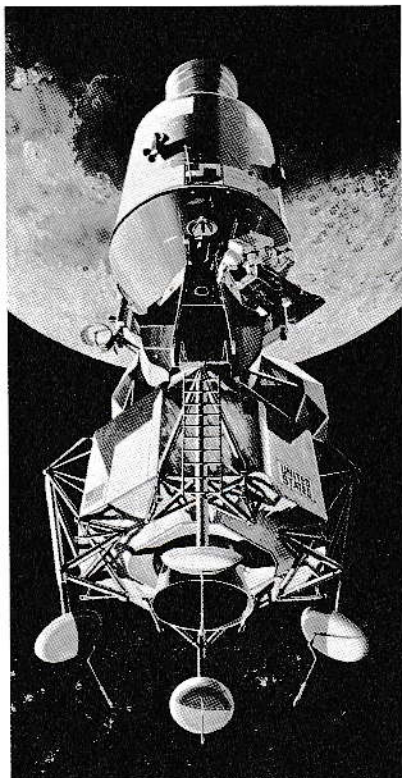
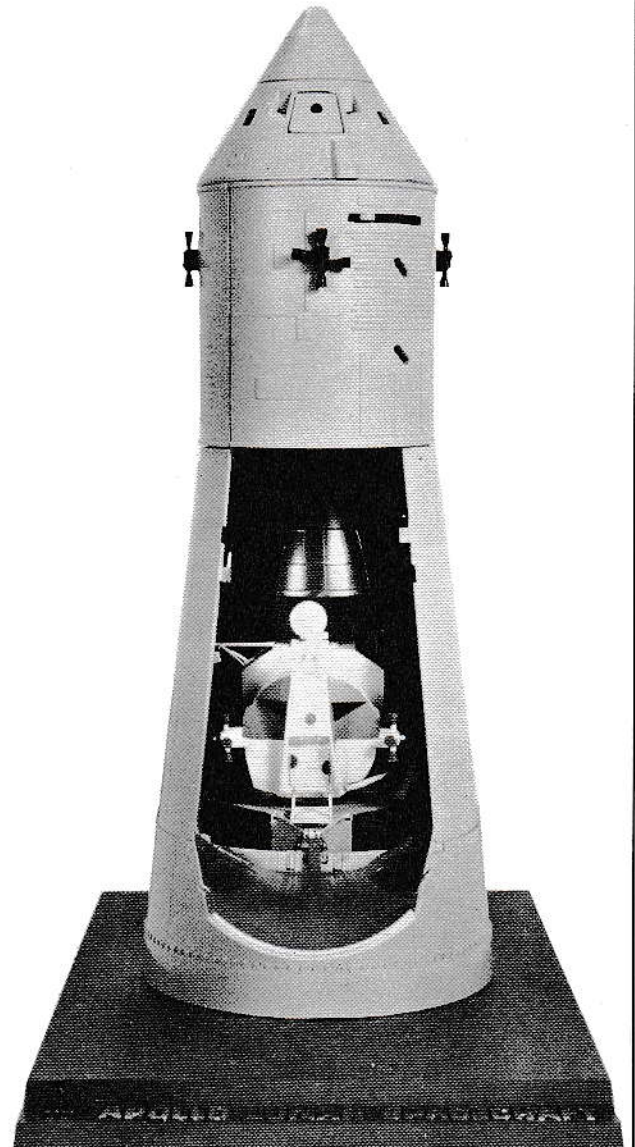
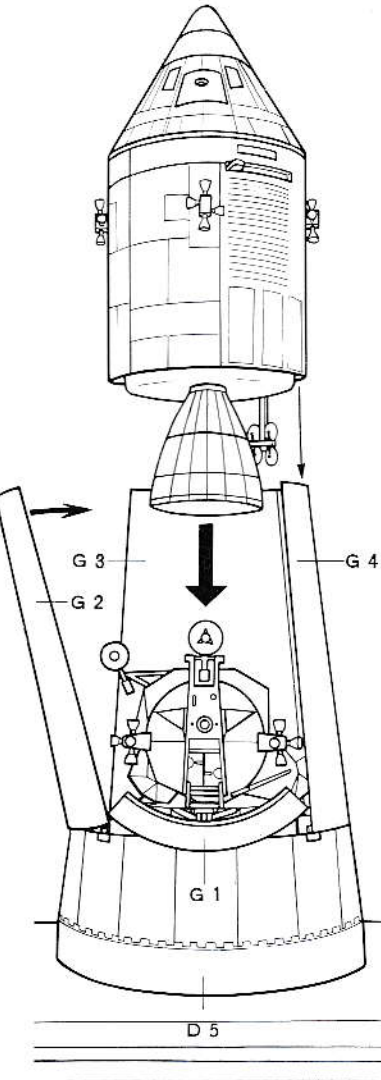
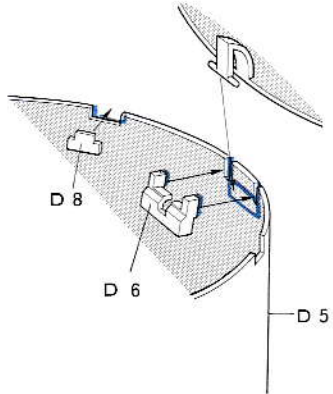


図-14 《ドッキングのさせ方及び飛ばし方》

★司令船のA9をはずし、司令船の凹部に着陸船凸部をはめ込み90回転させます。

《天井への糸の取付け及びむすび方》

★C5にむすび目を作ったつり糸を2~3回まきつけC10をはめC2をはさんでリベットをさしこみます。

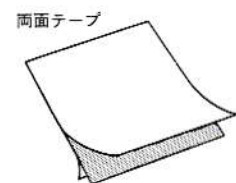
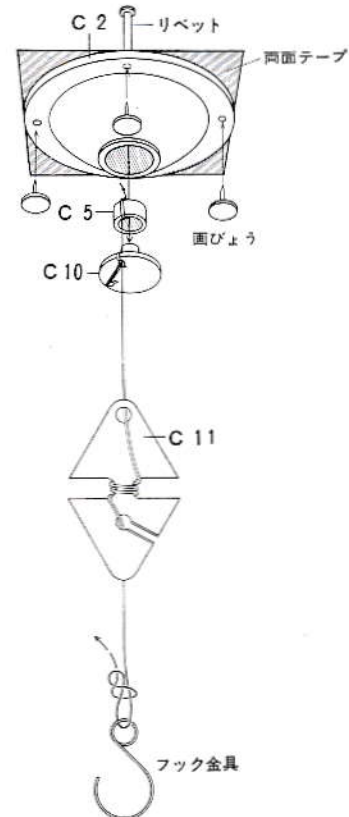
★C10とC11で糸の長さを調整します。フック金具に糸をしっかりとむすびます。

★両面テープ又は画びょうでC2を天井につけます。

★飛ばすときの重心は前下りにします。

★アポロ宇宙船は右下図以外にもいろいろな飛ばし方があります。みんなで実験してみましょう。

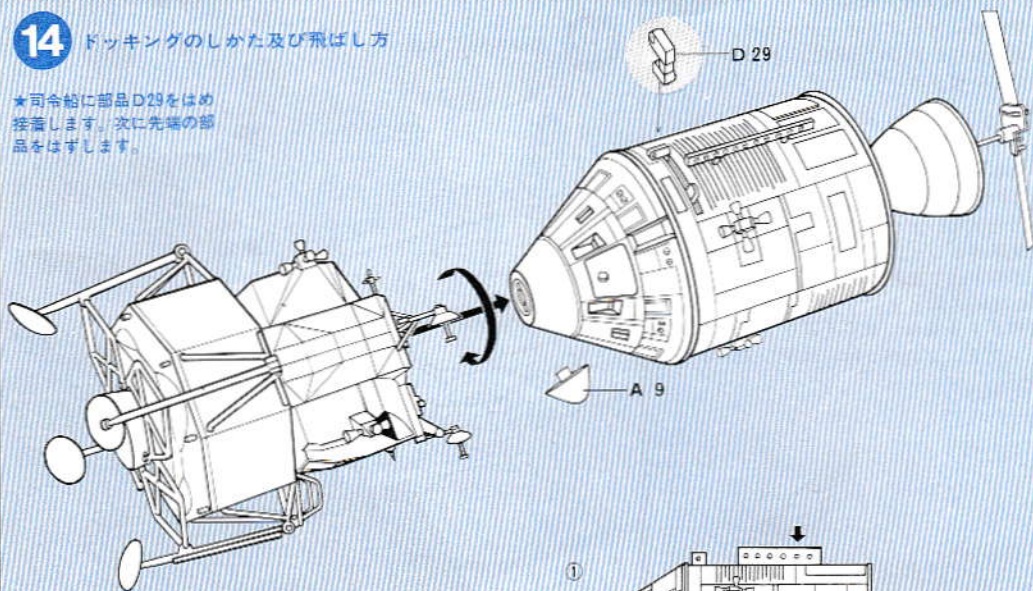
《天井への糸の取付け及びむすび方》



両面テープの紙を図のようにはがします。

## 14 ドッキングのしかた及び飛ばし方

★司令船に部品D29をはめ接着します。次に先端の部品をはずします。

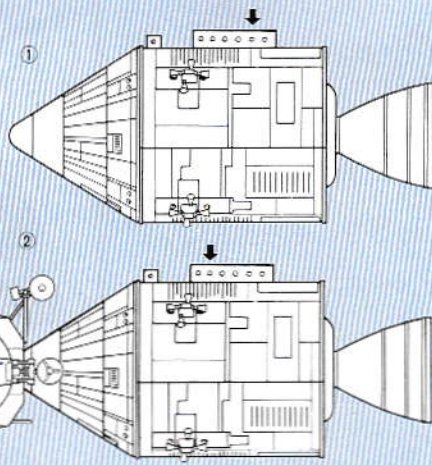


フックの位置

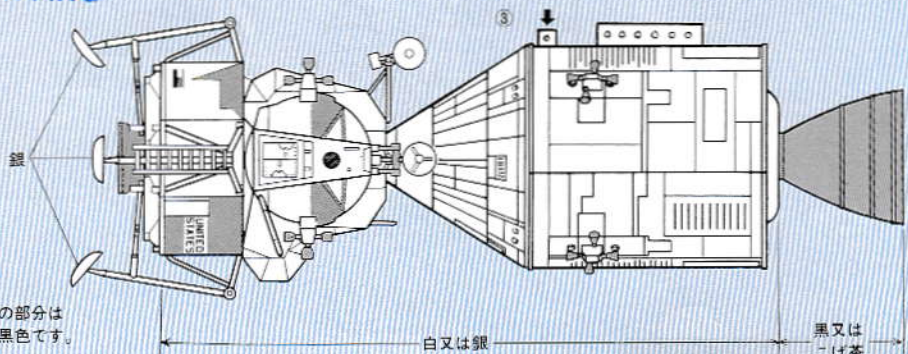
① ★司令船だけの時はC4部品の後から3番目の所です。

★上昇部だけのドッキングの時は重心はC4の前から3番目です。

★着陸船全体のドッキングの時は重心の位置をD29にします。

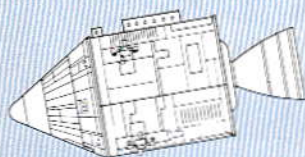


## PAINTING

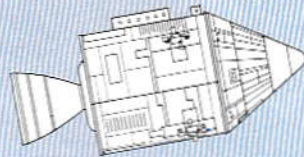


★アミの部分はすべて黒色です。

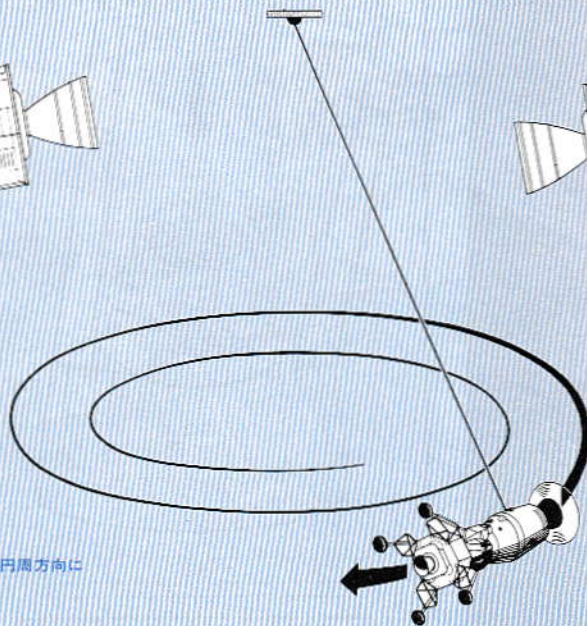
★プロペラシャフトが振動してしまう場合にはシャフトを差しなおすと振動が止まってきます。



★重心を前にすると左回りになります。



★重心を後にすると右回りになります。



★ドッキングした場合には円周方向にかるく押して飛ばします。