

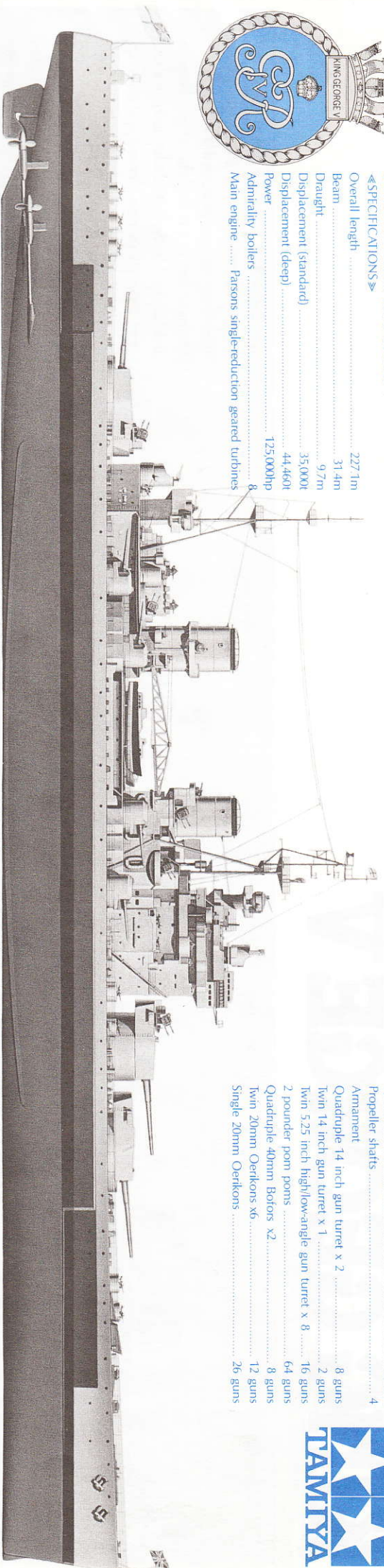


**BRITISH BATTLESHIP KING GEORGE V**

«SPECIFICATIONS»

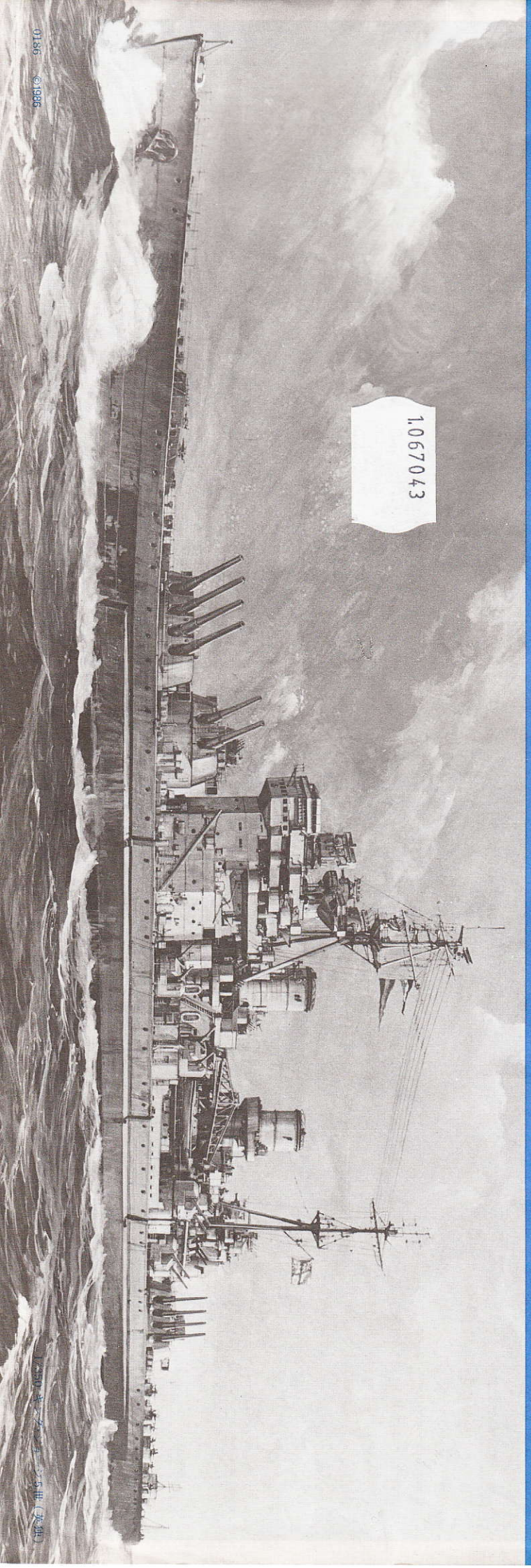
Overall length ..... 227.1m  
Beam ..... 31.4m  
Draught ..... 9.7m  
Displacement (standard) ..... 35,000t  
Displacement (deep) ..... 44,460t  
Power ..... 125,000hp  
Admiralty boilers ..... 8  
Main engine ..... Parsons single-reduction geared turbines

Speed ..... 29.2kt  
Propeller shafts ..... 4  
Armament  
Quadruple 14 inch gun turret x 2 ..... 8 guns  
Twin 14 inch gun turret x 1 ..... 2 guns  
Twin 5.25 inch high/low-angle gun turret x 8 ..... 16 guns  
2 pounder pom poms ..... 64 guns  
Quadruple 40mm Bofors x2 ..... 8 guns  
Twin 20mm Oerlikons x6 ..... 12 guns  
Single 20mm Oerlikons ..... 26 guns



# 1:350 BRITISH BATTLESHIP KING GEORGE V

1.067043





- \* Study the instructions and photographs before commencing assembly.
- \* You will need a sharp knife, a screwdriver, a file and a pair of pliers.
- \* Use cement sparingly. Use only enough to make a good bond.
- \* Apply cement to both parts to be joined.
- \* Make sure to ventilate room, when you use cement and paints.

This mark denotes paint color, with color names and numbers for Tammya Acrylic Paints and Tammya Paint Markers. Page 18 has detailed painting instructions; however, some parts should be painted prior to model's completion, and these are called out during assembly.

★ Vor Beginn die Bauanleitung studieren und den Nummern nach die Elemente zusammensetzen.

★ Bauteile nicht vom Spritzling abbrecchen, vorsichtig abschneiden oder abzwicken

★ Teile vor Kleben zusammenhalten, auf genauen Sitz achten. Nicht zuviel Klebstoff verwenden. Kleine Teile hilft man mit Pinzette fest.

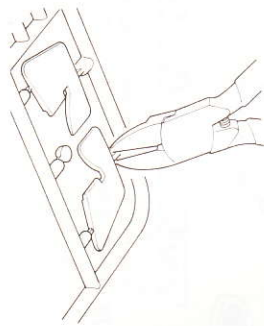
★ Abziehbilder vorsichtig, auf richtigen Sitz achten und gut trocknen lassen.

★ Der Basisteil sollte bei Verwendung von Farben und Klebstoff gut gelüftet sein.

★ Dieses Zeichen zeigt die Farbe und Farbnummer der Tammya Acrylic Farben und Paint Marker.

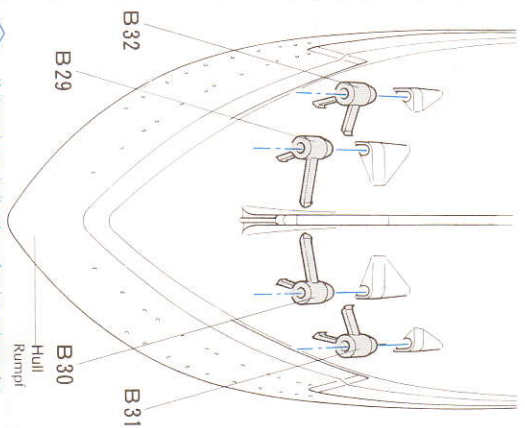
**CUTTING OFF PARTS**  
Do not break parts away from sprue, but remove them carefully with a cutting tool.

**ABSCHNEIDEN EINZELNER TEIL**  
Bauteile nicht vom Spritzling abbrecchen vorsichtig abschneiden oder abzwicken.



**1 ATTACHING SCREWS SCHIFFSSCHRAUBE**

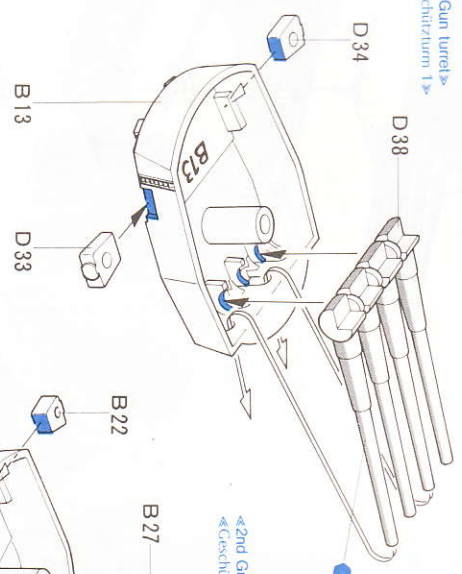
◀Attaching B29-32▶  
◀Einbau B29-32▶



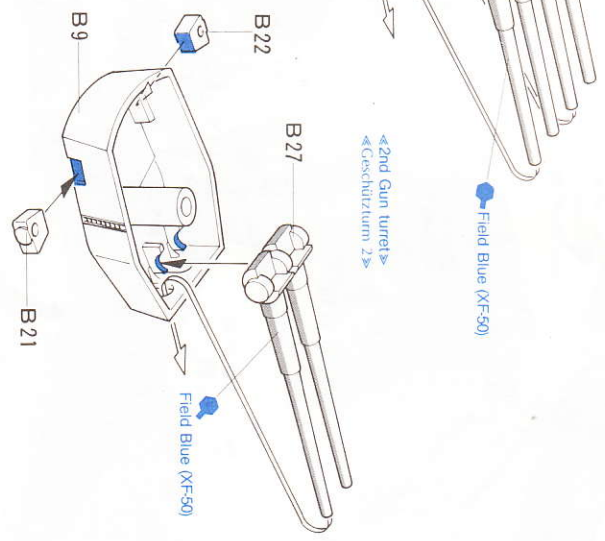
If there is no indication of paint color, paint in hull color. Refer to page 18 for detailed painting.  
Wo keine Farb angebe, in der Rumpffarbe bemalen.

**2 14 INCH 45 CAL. MAIN GUNS 14 INCH GESCHÜTZTURM**

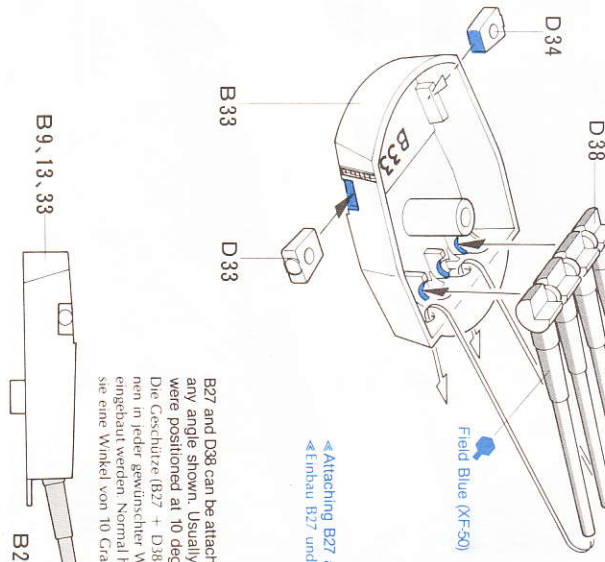
◀1st Gun turret▶  
◀Geschützurm 1▶



◀2nd Gun turret▶  
◀Geschützurm 2▶

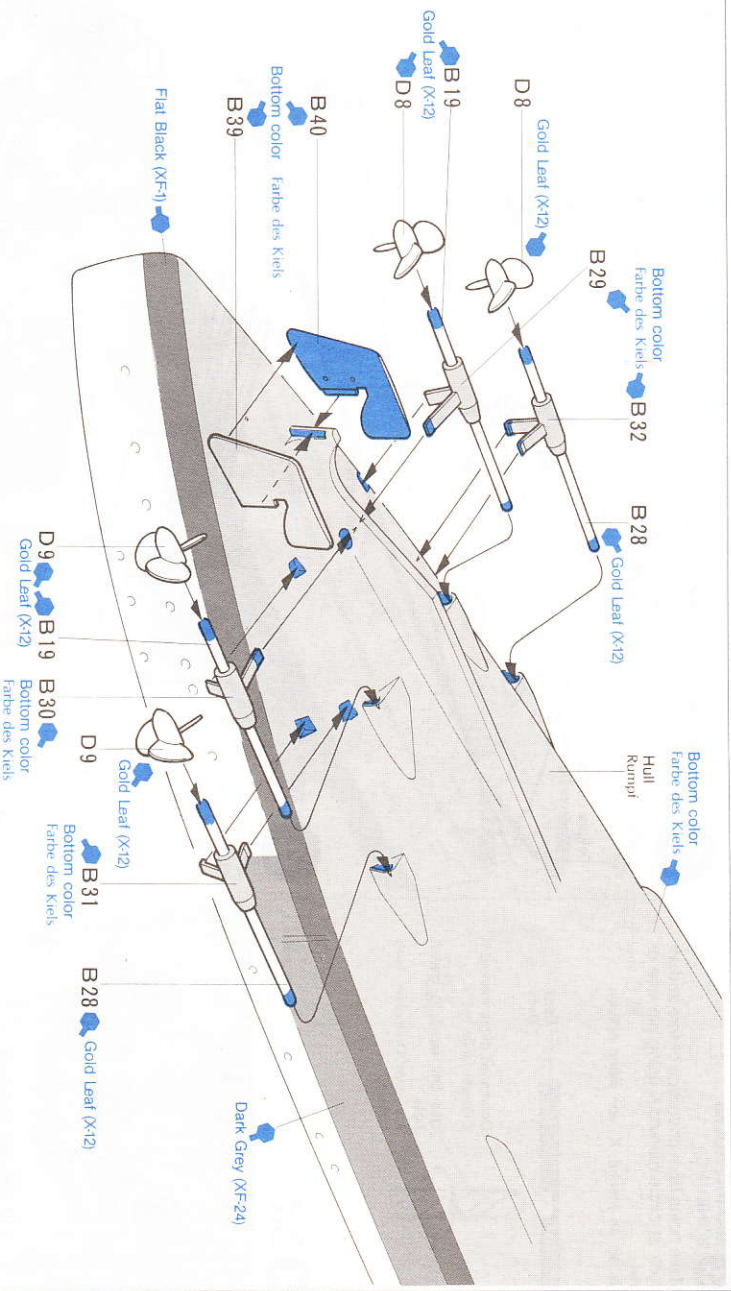
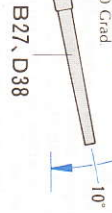


◀3rd Gun turret▶  
◀Geschützurm 3▶



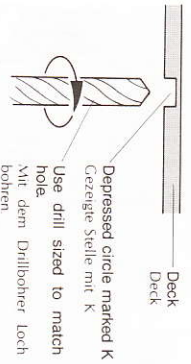
◀Attaching B27 and D38▶  
◀Einbau B27 und D38▶

B27 and D38 can be attached at any angle shown. Usually they are positioned at 10 degrees. Die Geschütze (B27 + D38) können in jeder gewünschter Winkel eingebaut werden. Normal haben sie eine Winkel von 10 Grad.

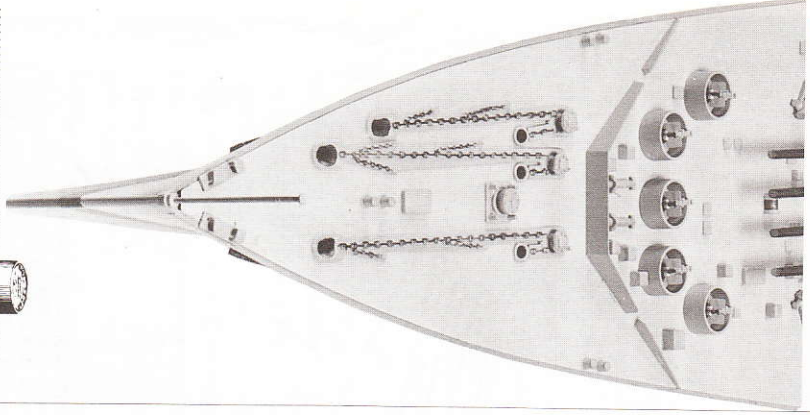


**3 MAKING HOLES**  
**BOHRUNG**

Make holes from underside of fore and aft deck at circle marked K using pin vice or awl.  
Löcher an Stellen K von innen bohren

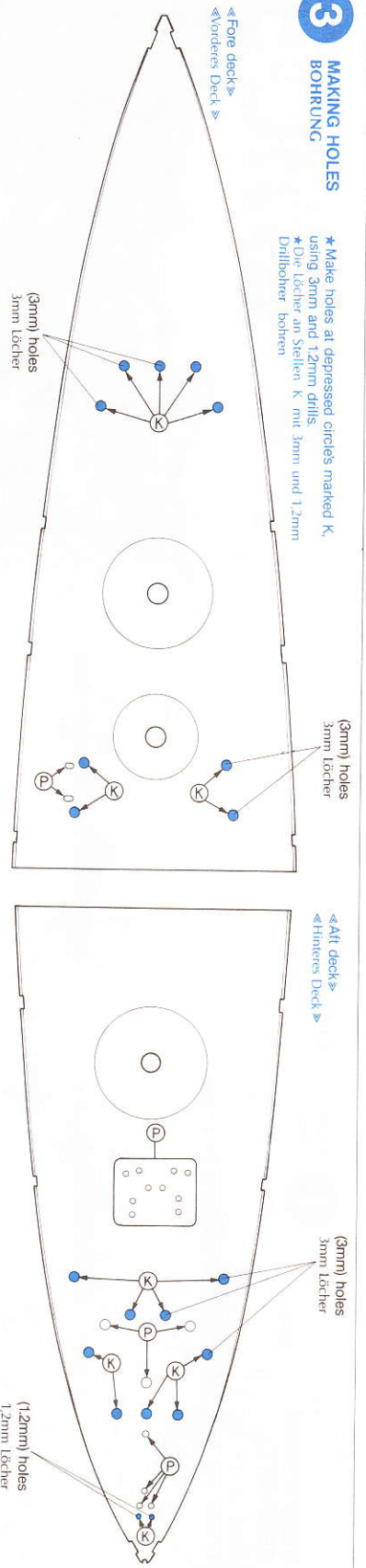


**4 DECK DECK**



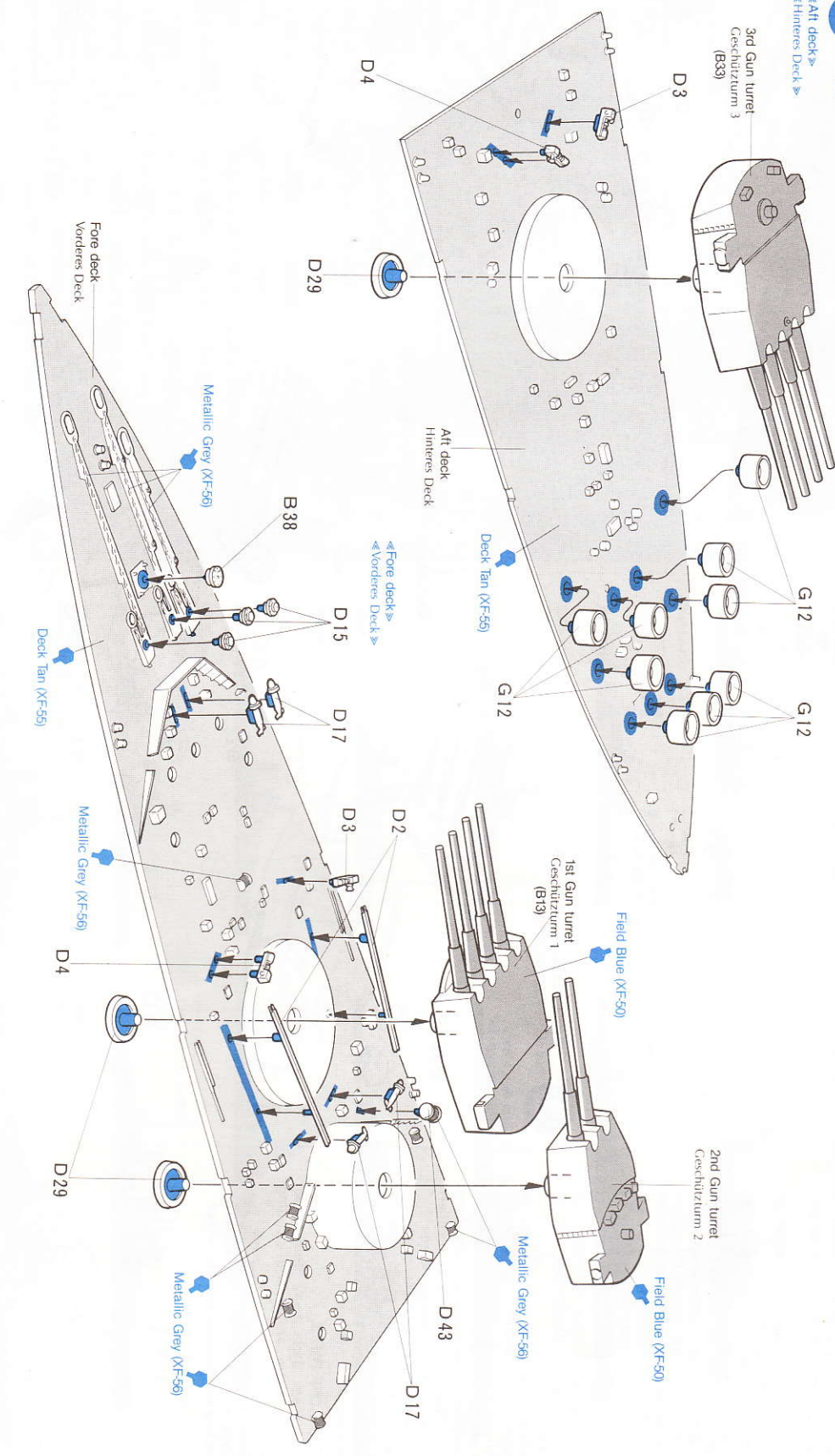
**3 MAKING HOLES**  
**BOHRUNG**

★ Make holes at depressed circles marked K, using 3mm and 1.2mm drills.  
★ Die Löcher an Stellen K mit 3mm und 1,2mm Drillbohrer bohren



**4 DECK DECK**

◀Aft deck▶  
◀Hinteres Deck▶

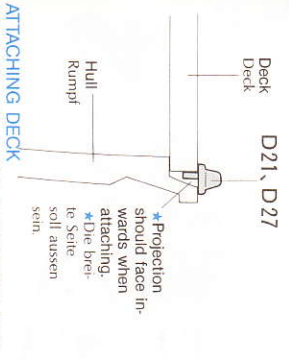


**TAMIYA HEXAGONAL BOTTLE**

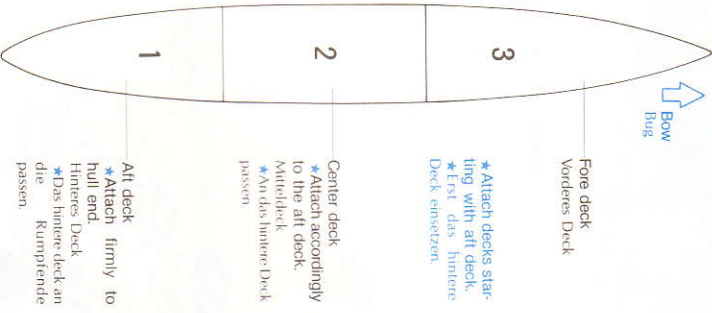


Tamiya cement in a new hexagon bottle for increased stability. Difficult to upset and easy to apply with the built in brush dispenser. The preferred plastic cement for beginners and experts alike.

**5 ATTACHING D21 AND D27**  
**5 EINBAU D21 UND D27**



**ATTACHING DECK**  
 Attach aft deck, center deck and fore deck in that order.  
**ENSETZEN DES DECKS**  
 Einsetzen die Decke nach der Reihe vom hinteren, mittleren und vorderen Deck.

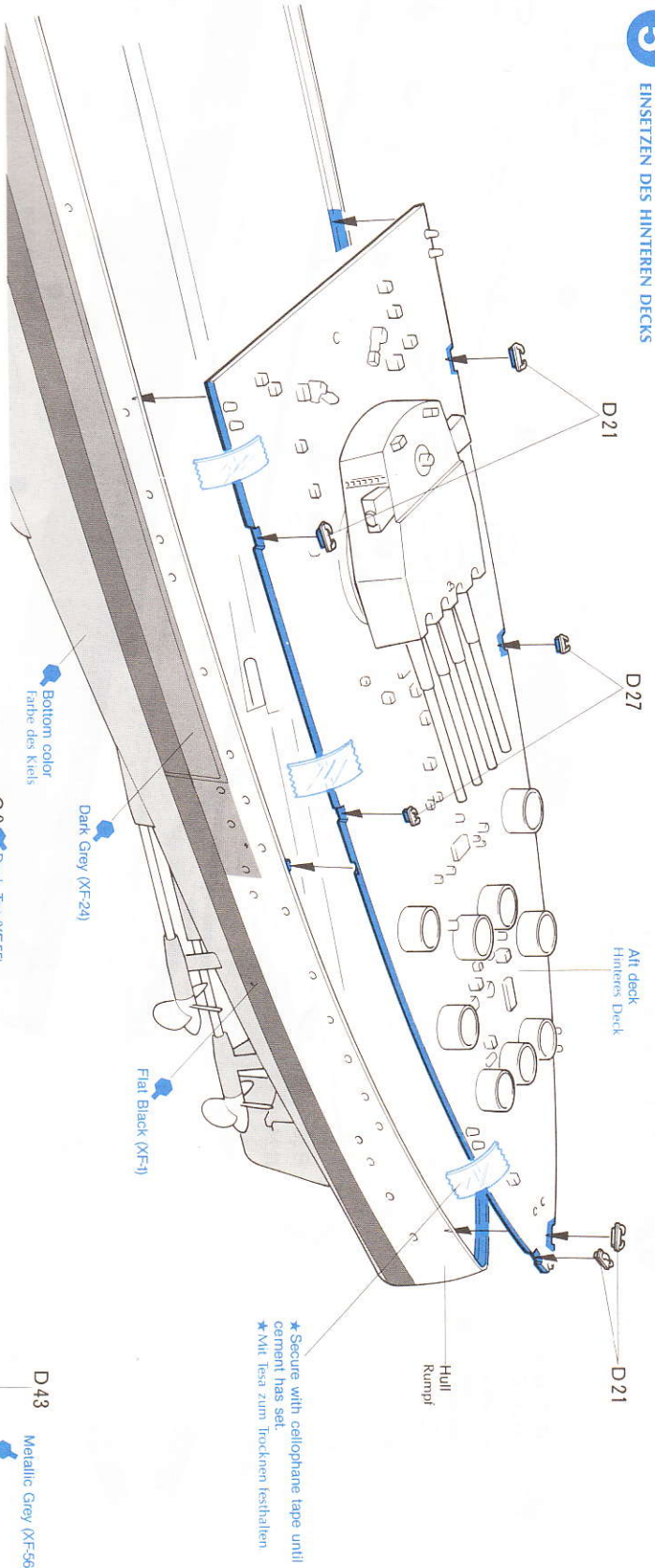


**1**  
 \*Attach decks starting with aft deck.  
 \*Erst das hintere Deck einsetzen.

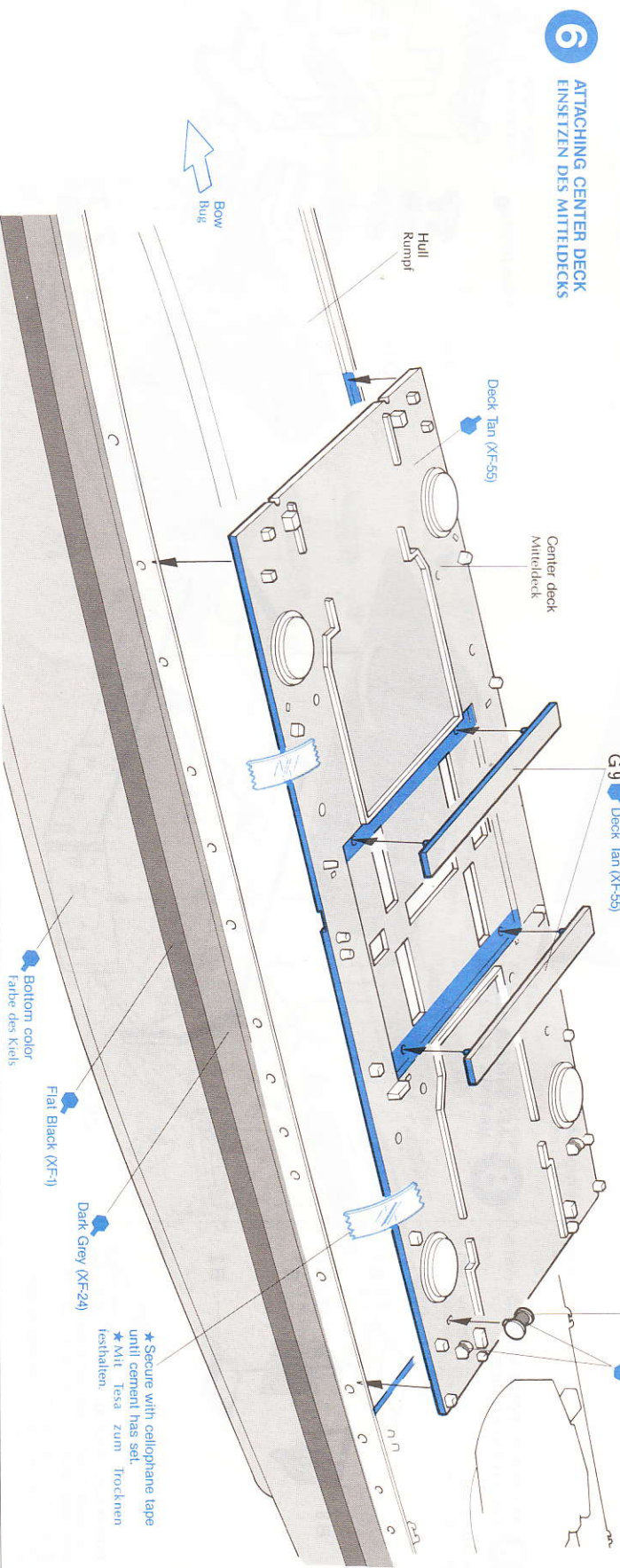
**2**  
 \*Center deck  
 \*Attach accordingly to the aft deck.  
 \*Mitteldeck  
 \*An das hintere Deck anpassen.

**3**  
 \*Attach firmly to hull end.  
 \*Hinteres Deck  
 \*Das hintere deck an die Rumpfende anpassen.

**5 ATTACHING AFT DECK**  
**5 EINSETZEN DES HINTEREN DECKS**



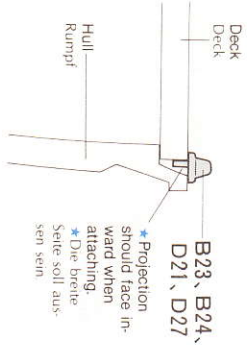
**6 ATTACHING CENTER DECK**  
**6 EINSETZEN DES MITTELDECKS**



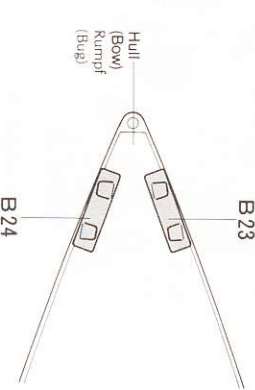
**TAMIYA EPOXY/PUTTY**

This is a two part, clay like putty. When kneaded together it can be formed into any required shape. Curing begins in about one hour and is completely cured in 12 hours. It can be worked with a modeling knife and sanded to final shape upon curing.

**7** ATTACHING B23, B24, D21 AND D27  
EINBAU B23, B24, D21 UND D27

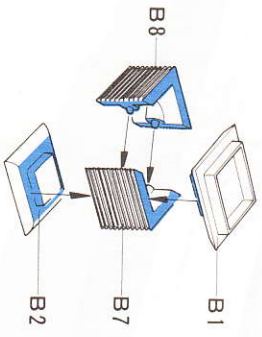


**ATTACHING B23 AND B24**  
EINBAU B23 UND B24



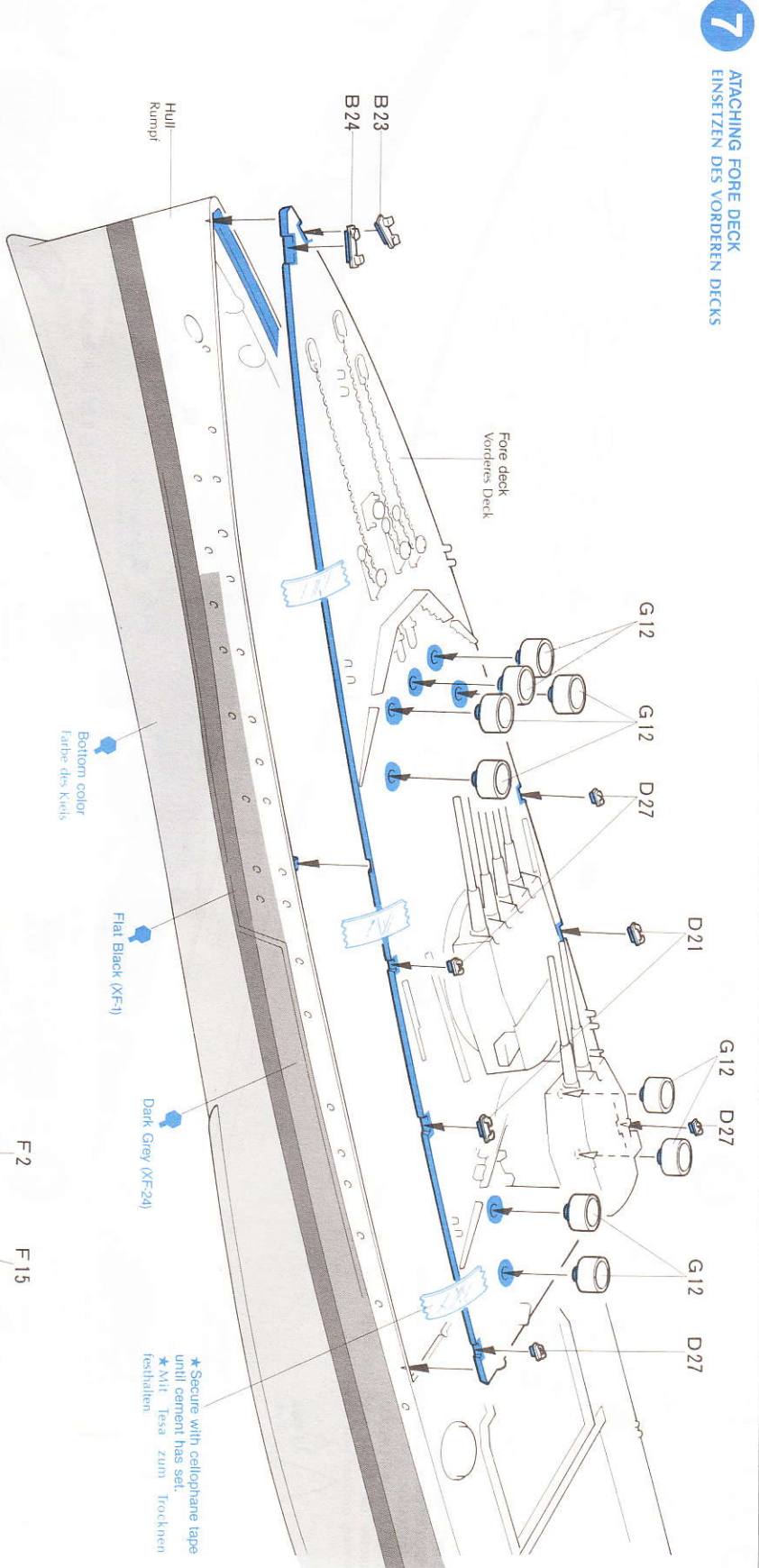
**8** AFT BOILER ROOM VENT  
HINTERER VENTILATOR

- \* Make 2 sets.
- \* 2 Satz machen.

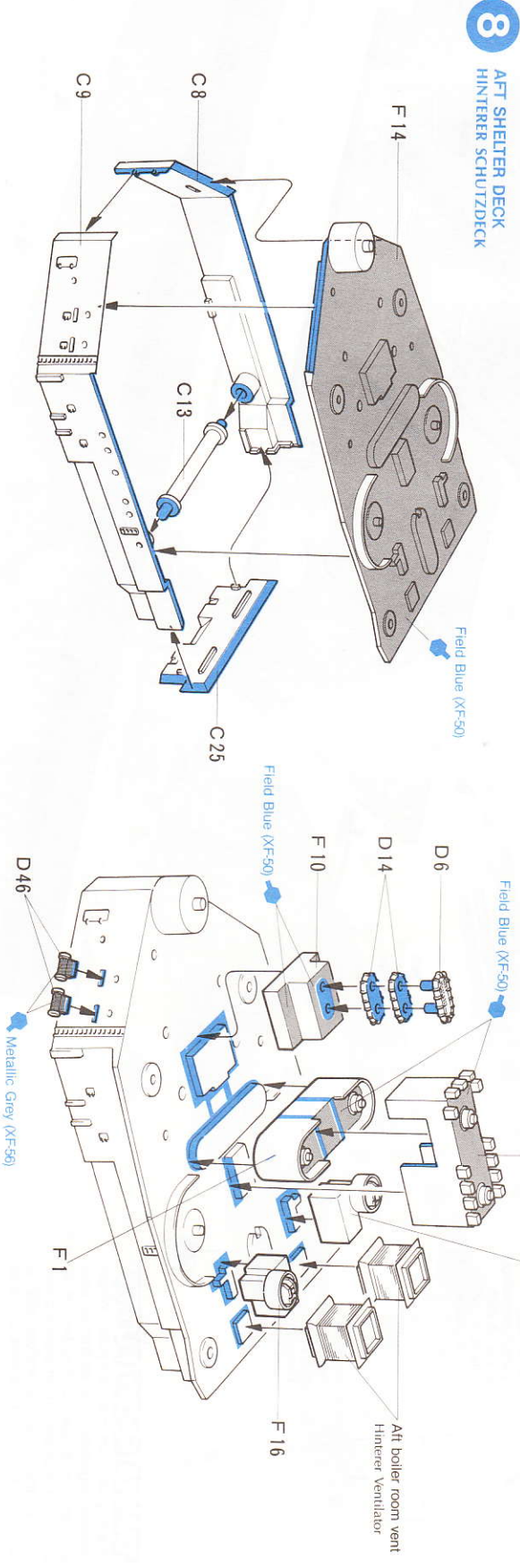


**TAMIYA COLOR CATALOGUE**  
The latest in cars, boats, tanks and ships. Motorized, radio controlled and museum quality models are all shown in full color in Tammya's latest catalogue. At your nearest hobby supply house.

**7** ATTACHING FORE DECK  
EINSETZEN DES VORDEREN DECKS

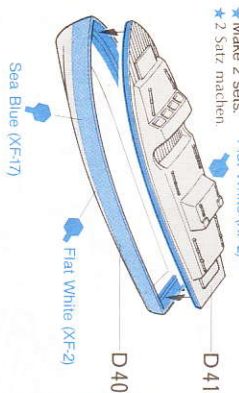


**8** AFT SHEETER DECK  
HINTERER SCHUTZDECK

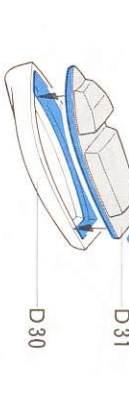


**10 ASSEMBLY AND PAINTING OF SMALL BOATS**  
**EMBAU UND BEMALUNG DER BOOTE**

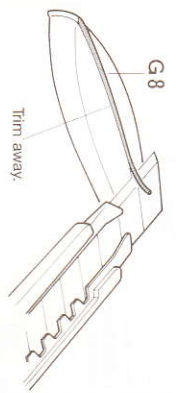
- 45' FAST MOTOR BOAT
- 45 FUSS WACHBOOT
- \* Make 2 sets.
- \* 2 Satz machen



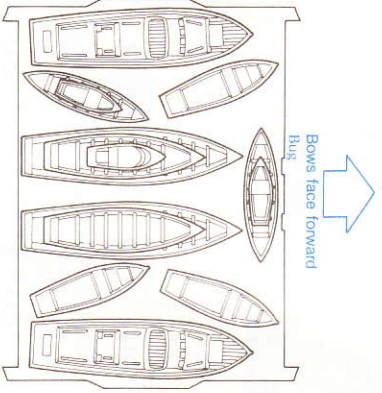
- 25' FAST MOTOR BOAT
- 25 FUSS WACHBOOT
- \* Make 3 sets.
- \* 3 Satz machen



**TRIMMING KEELS**  
 Trim off keel of G8(32' cutter/2ea.) for easier attaching to D39.

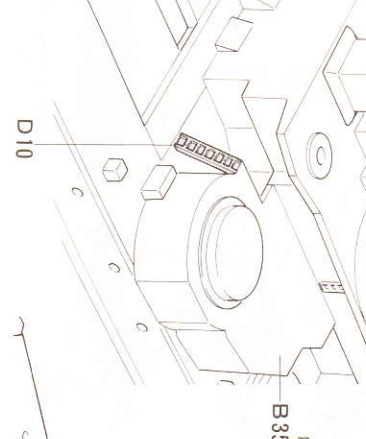


**BOAT PLACEMENT BOOTSTELLE**  
 Refer to figure below when attaching boats to boat deck (F6).

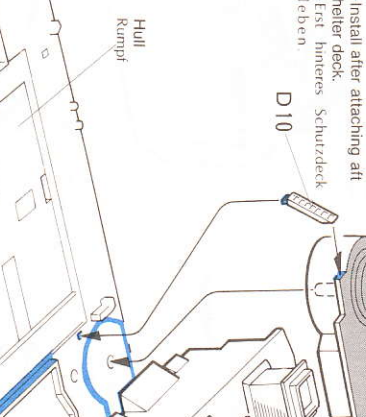


**9 ATTACHING AFT SHEETER DECK**  
**EINSETZEN DES HINTEREN SCHUTZDECKS**

- \* Attach B34 and B35 after attaching aft shelter deck.
- \* First hinteres Schutzdeck einsetzen, dann B34 + B35



- \* Install after attaching aft shelter deck.
- \* Erst hinteres Schutzdeck kleben.



**10 BOAT DECK BOOTSDIECK**

- 25' Fast motor boat
- 25 Fuss Wachboot



- 14' Sailing dingy
- 14 Fuss Jolle



- 27' Whaler
- 27 Fuss Walfänger



- 25' Fast motor boat
- 25 Fuss Wachboot



- 14' Sailing dingy
- 14 Fuss Jolle



- 27' Whaler
- 27 Fuss Walfänger



- 45' Fast motor boat
- 45 Fuss Wachboot



- 32' Cutter
- 32 Fuss Kutter



- 45' Motor launch
- 45 Fuss Barkasse



- 16' Fast motor boat
- 16 Fuss Wachboot



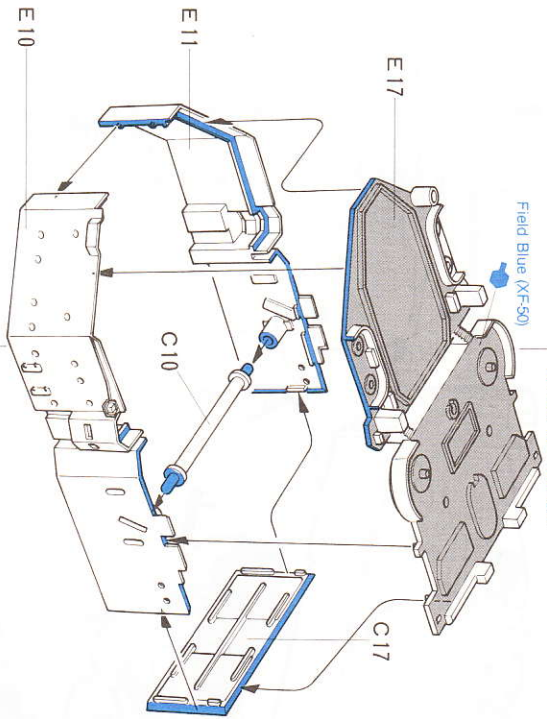
- 32' Cutter
- 32 Fuss Kutter



- 45' Motor launch
- 45 Fuss Wachboot



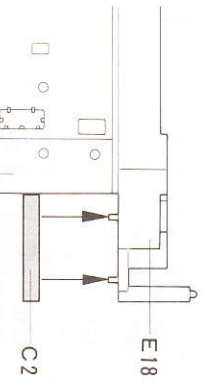
**11** BRIDGE BASE  
BRÜCKEN-BASIS



**11** ATTACHING BRIDGE BASE  
EINSETZEN DER BRÜCKEN-BASIS

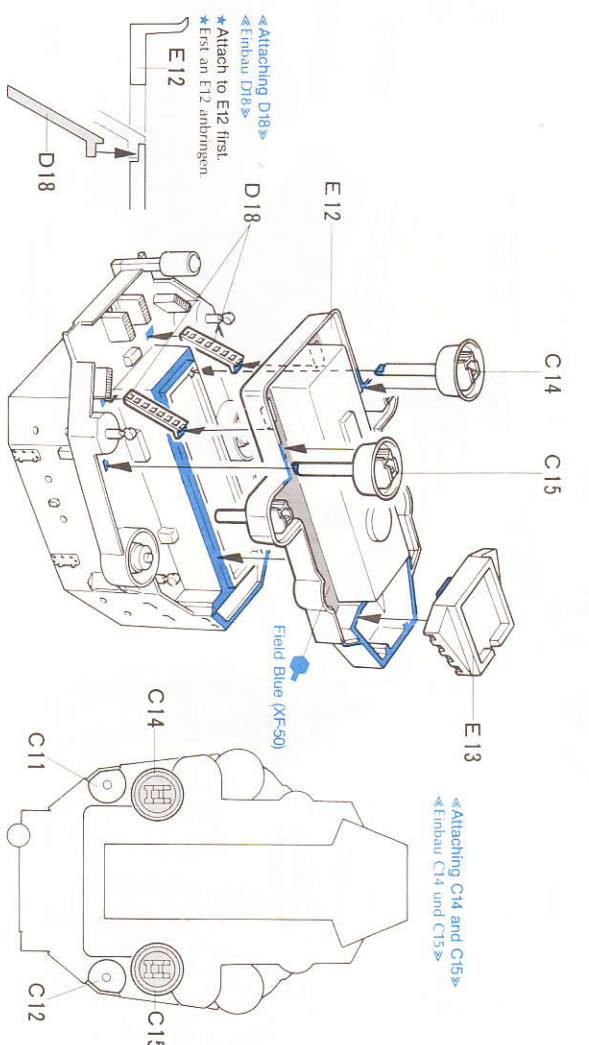
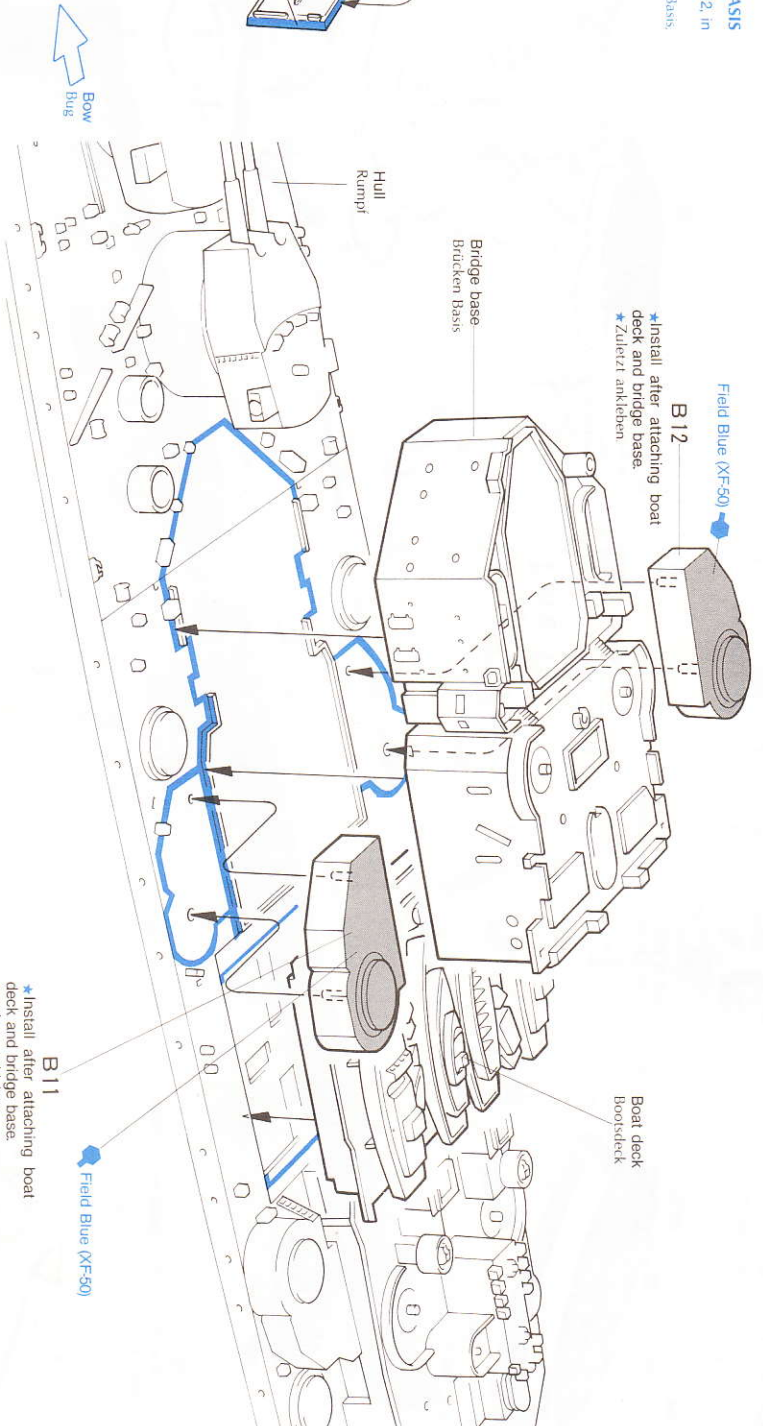
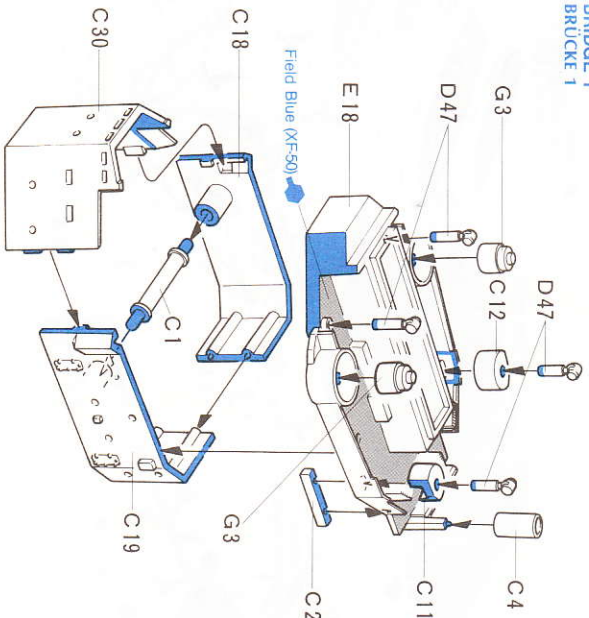
- \* Attach boat deck, bridge base, B11 and B12, in that order.
- \* Nach die Reihe von dem Bootsdeck, Brücken-Basis, B11 und B12 anbringen.

**12** ATTACHING C2  
EINBAU C2



C1, C18, C19 and C30 assembled.  
Eingebaute Teile: C1, C18, C19 + C30

**12** BRIDGE 1  
BRÜCKE 1



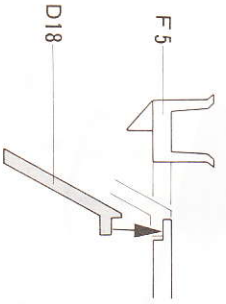
**TAMIYA ACRYLIC PAINTS**

Need precise color matching? Try the new Tamiya acrylic paints. Engineered by modelers for modelers' use. The final cover for the finest models. Insist on Tamiya for perfect results.

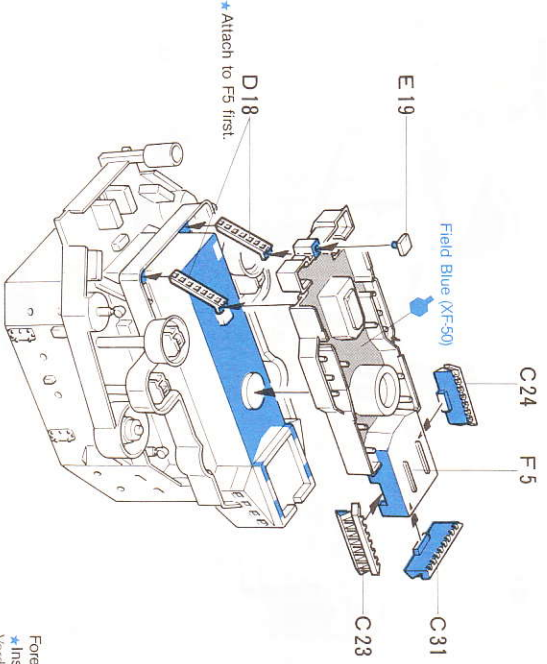


**13** ATTACHING D18  
EINBAU D18

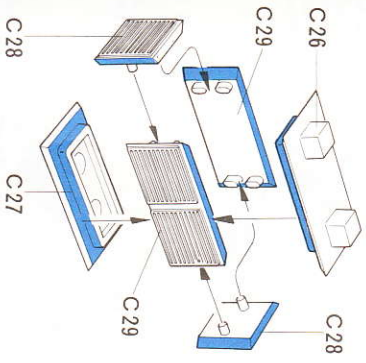
\* Attach to F5 first.  
\* Erst an F5 anbringen



**13** BRIDGE 2  
BRÜCKE 2

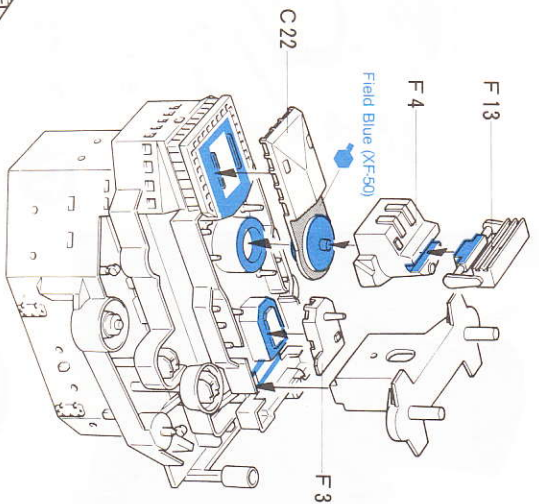
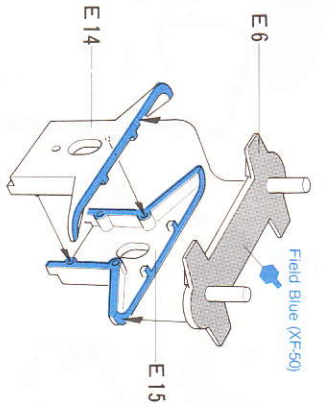


**14** FORE BOILER ROOM VENT  
VORDERER VENTILATOR

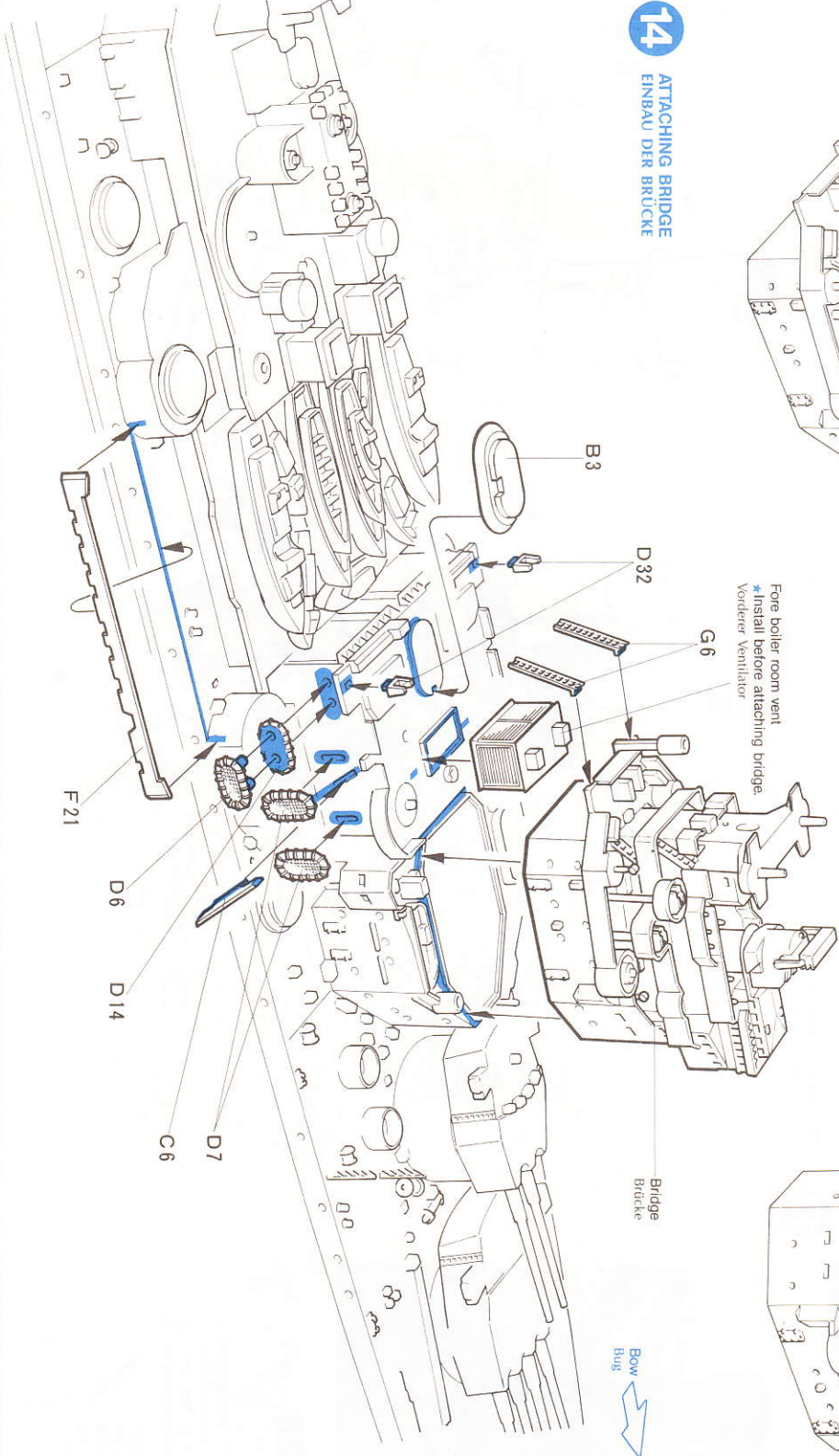
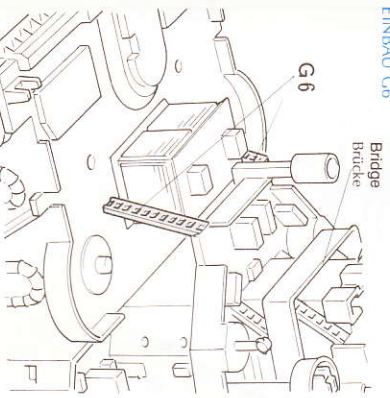


**14** ATTACHING BRIDGE  
EINBAU DER BRÜCKE

Fore boiler room vent  
\* Install before attaching bridge.  
Vorderer Ventilator  
\* Install before attaching bridge.

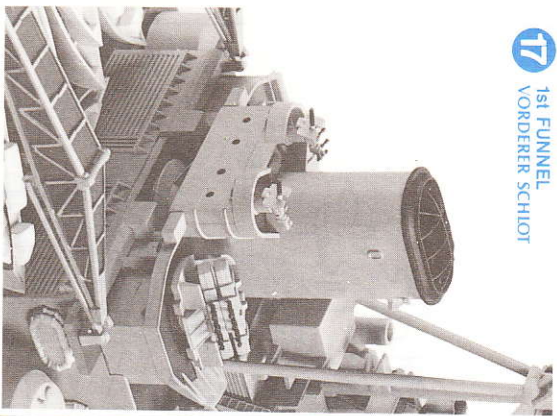


**TAMIYA FARBKATALOG IN DEUTSCHER SPRACHE**  
Letzte Neuheiten von Autos, Booten, Tanks und Schiffen im Tamya-Katalog in deutscher Sprache sind alle Modelle, ob Motorisierte, Ferngesteuerte oder Museum-Qualitäts-Modelle, farblich abgebildet.

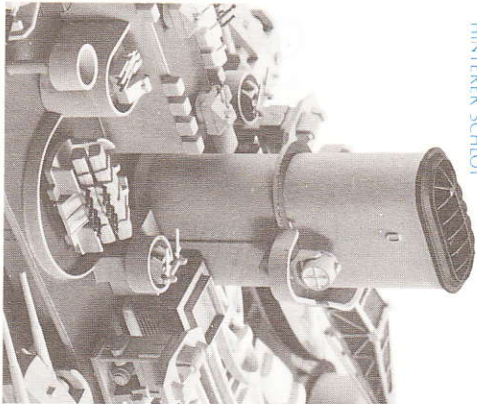




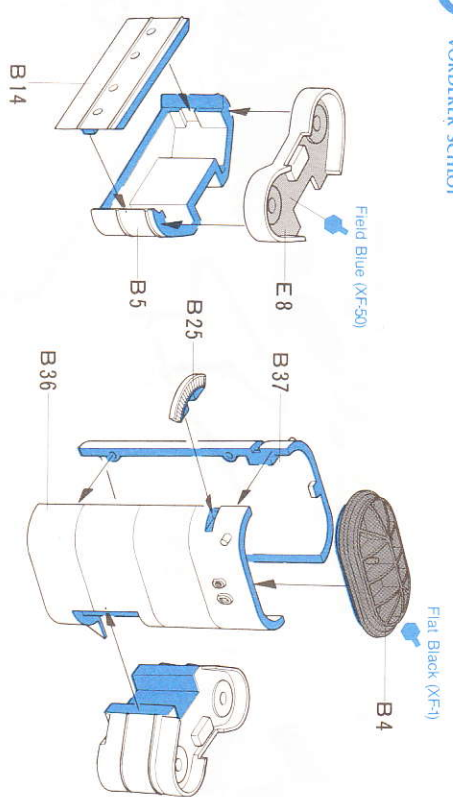
**17** 1st FUNNEL  
VORDERER SCHLOT



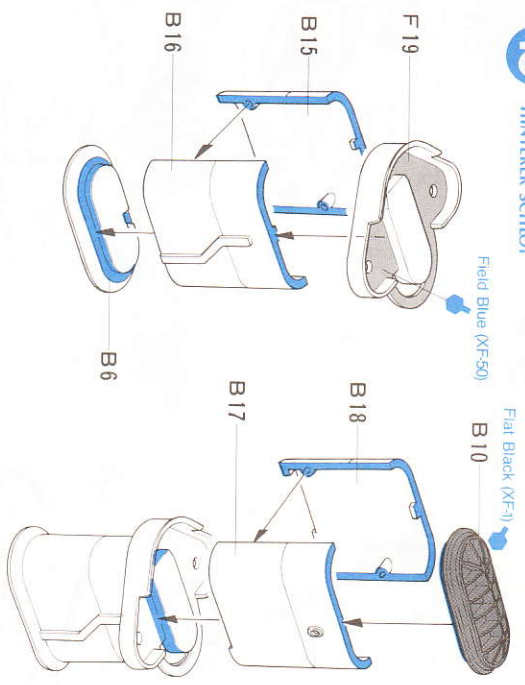
**2nd FUNNEL  
HINTERER SCHLOT**



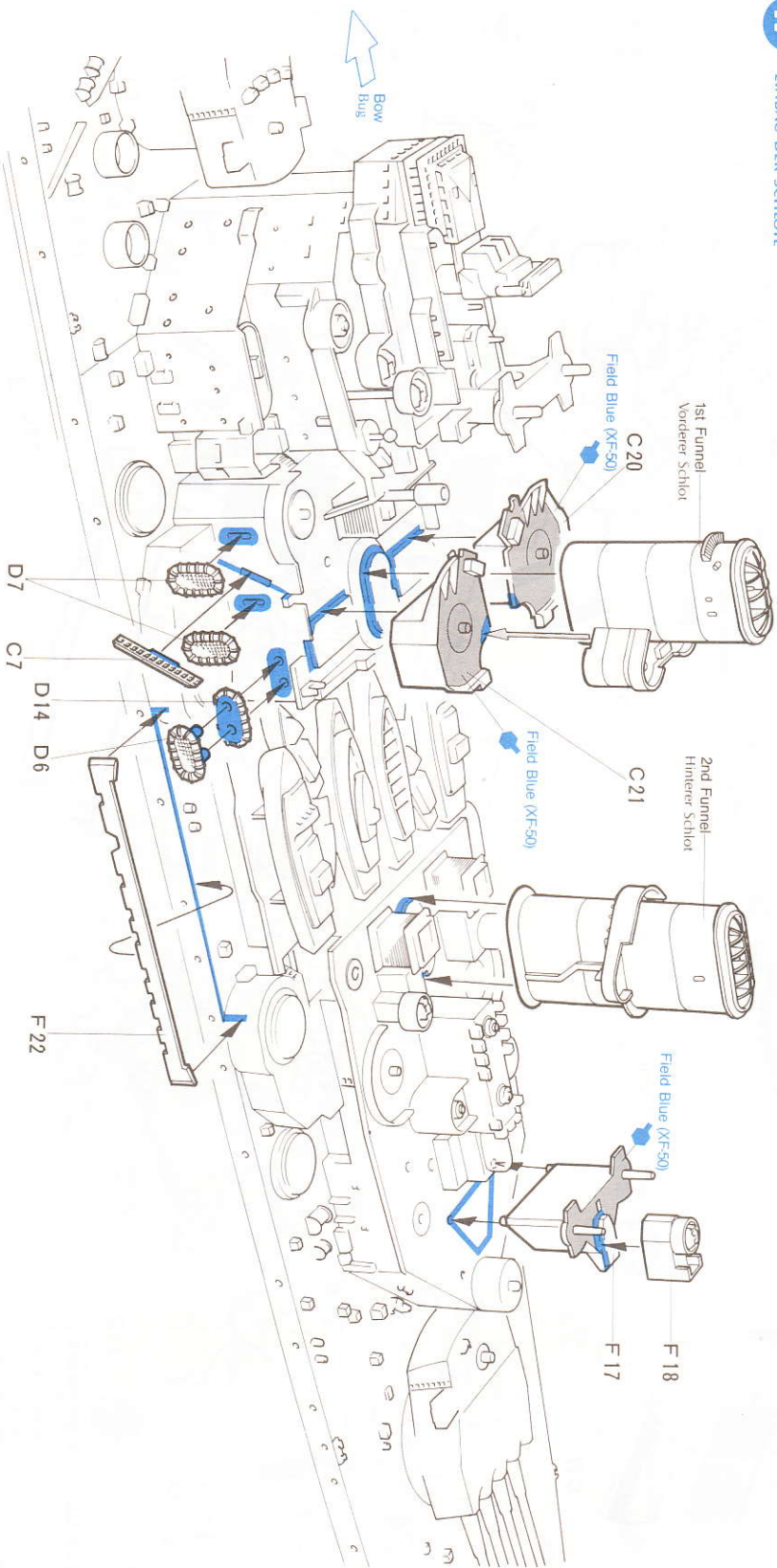
**15** 1st FUNNEL  
VORDERER SCHLOT



**16** 2nd FUNNEL  
HINTERER SCHLOT



**17** ATTACHING FUNNELS  
EINBAU DER SCHLÖT



**PAINT MARKER**

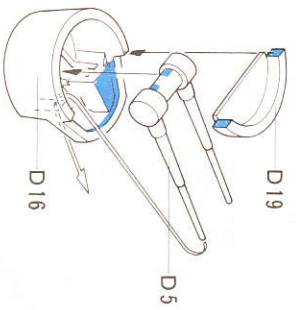
Hand held, Tamaya enamel paint markers. For the final detail touch, and professional results, 12 of the most popular colors used in modeling. See and test them at your local hobby supply house.

**TAMIYA CEMENT PEN**

A handy, self contained pencil sized glue dispenser for accurate application of Tamaya cement right where you want it. Will not dry out in pen. Cement smears are a thing of the past.

**18** 5.25 INCH (13.3cm) GUN TURRET  
5.25 INCH GESCHÜTZTURM

- ★ Make 8 sets.
- ★ 8 Satz machen.

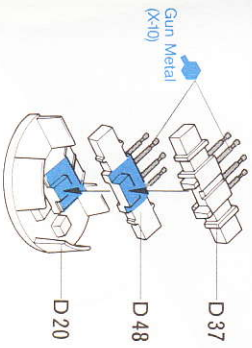


D5 can be attached at any angle shown. Usually they were carried at about 15 degrees. Teil D5 kann man im jeder gewünschten Winkel eingebaute werden. Normal hat das Geschütze Winkel von 15 Grad.



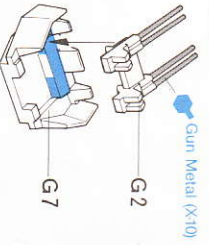
**2 POUNDER POM POMS SCHNELLFEUERKANONE**

- ★ Make 8 sets.
- ★ 8 Satz machen.

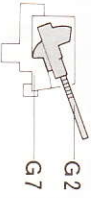


**40mm BOFORS 40mm BOFORs**

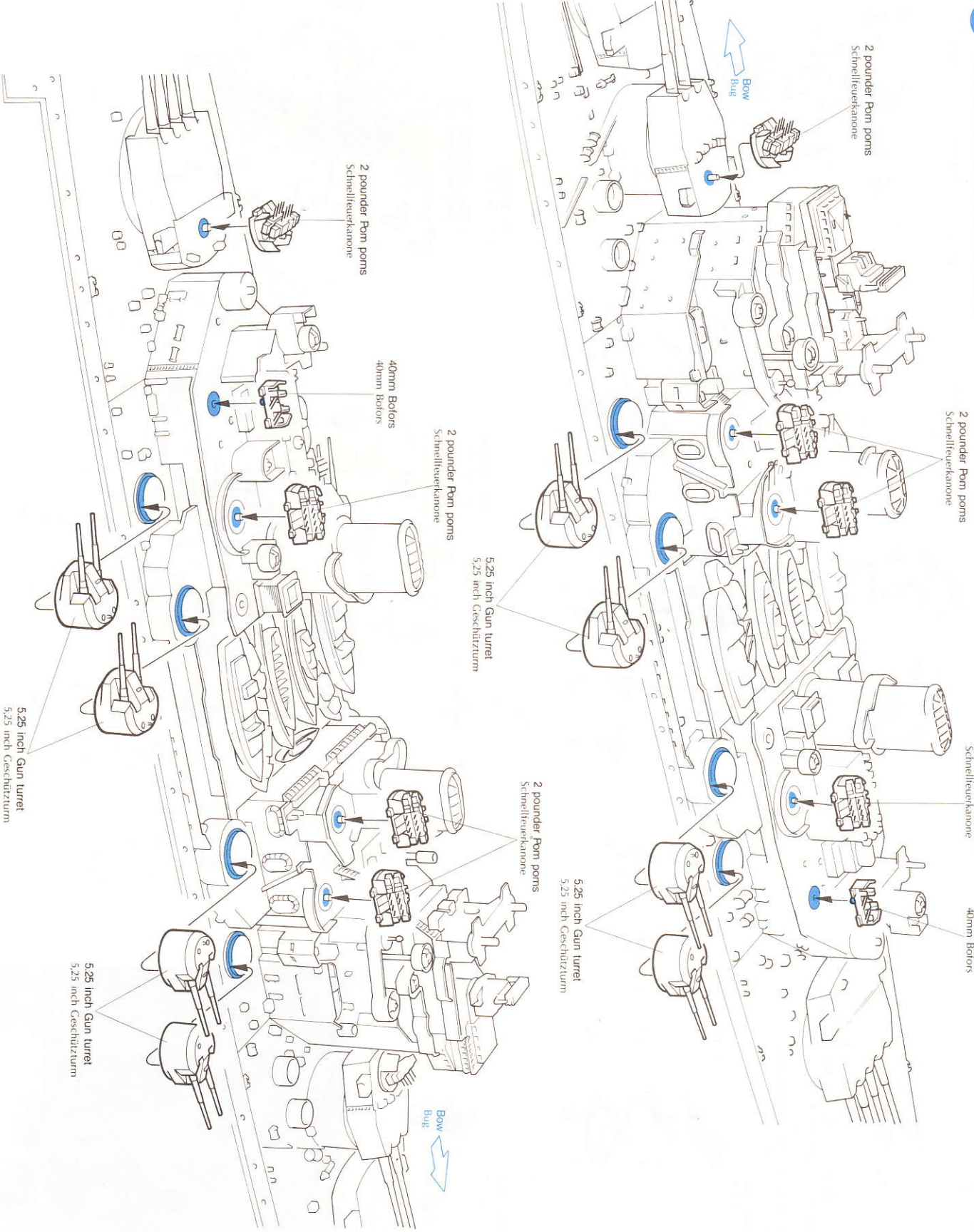
- ★ Make 2 sets.
- ★ 2 Satz machen.



★ Refer to right figure for position.

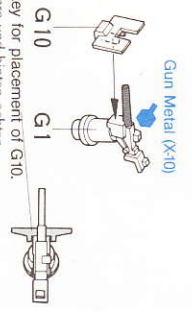


**18** ATTACHING 5.25 INCH (13.3cm) GUN TURRET  
EINSETZEN DER 5.25 INCH GESCHÜTZTURME



**19** 20mm OERLIKONS

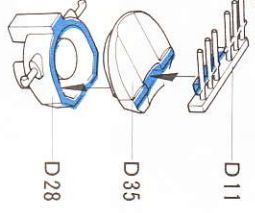
- \*Make 12 sets.
- \*12 Satz machen



- \*Note key for placement of G10.
- \*Auf vorne und hinten achten

**5.25 INCH GUN RANGE FINDER  
ENTFERNUNGSMESSER**

- \*Make 4 sets.
- \*4 Satz machen

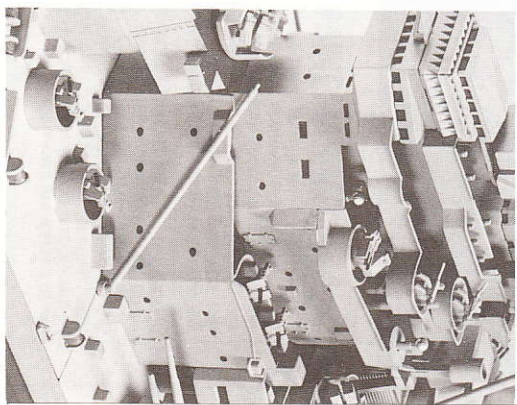


**SEARCHLIGHT  
SUCHSCHEINWERFER**

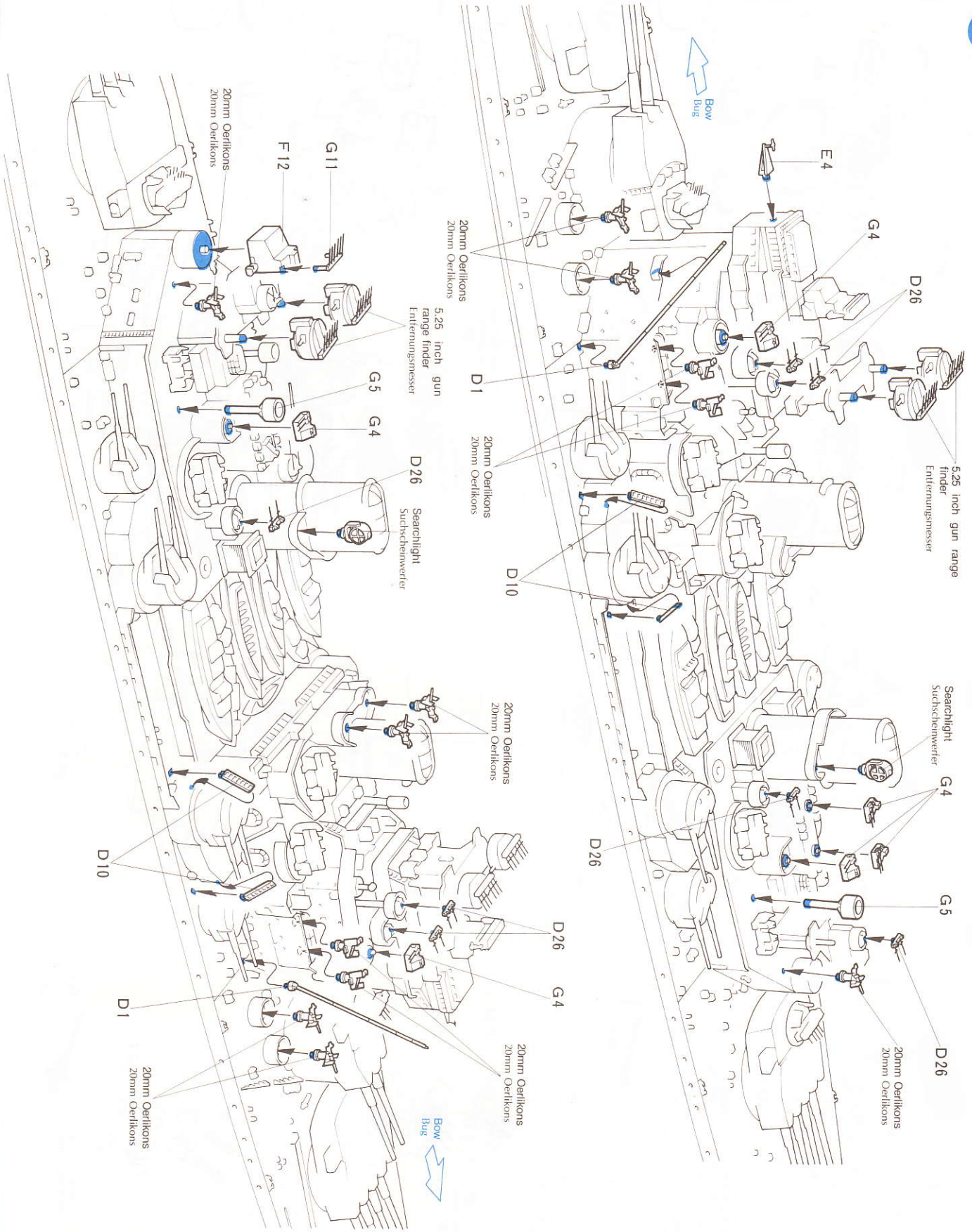
- \*Make 2 sets.
- \*2 Satz machen



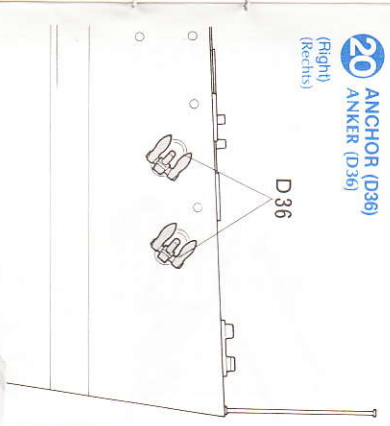
**ATTACHING D1  
ENBAU D1**



**19** ATTACHING 20mm OERLIKONS  
20mm OERLIKONS

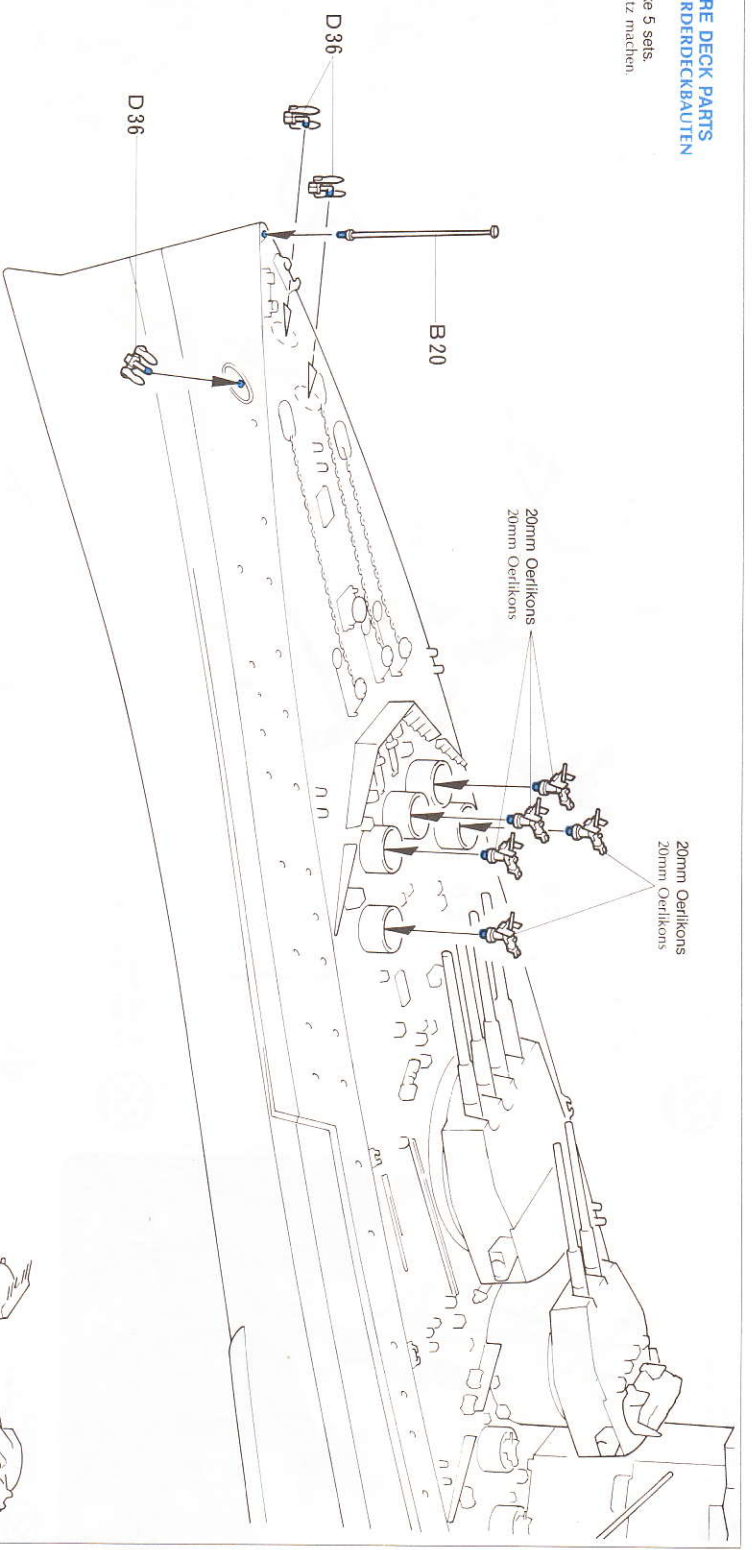
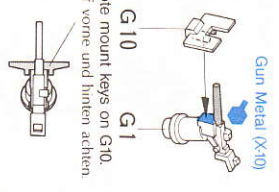


**20** ANCHOR (D36)  
 ANKER (D36)  
 (Rechts)  
 (Rechts)



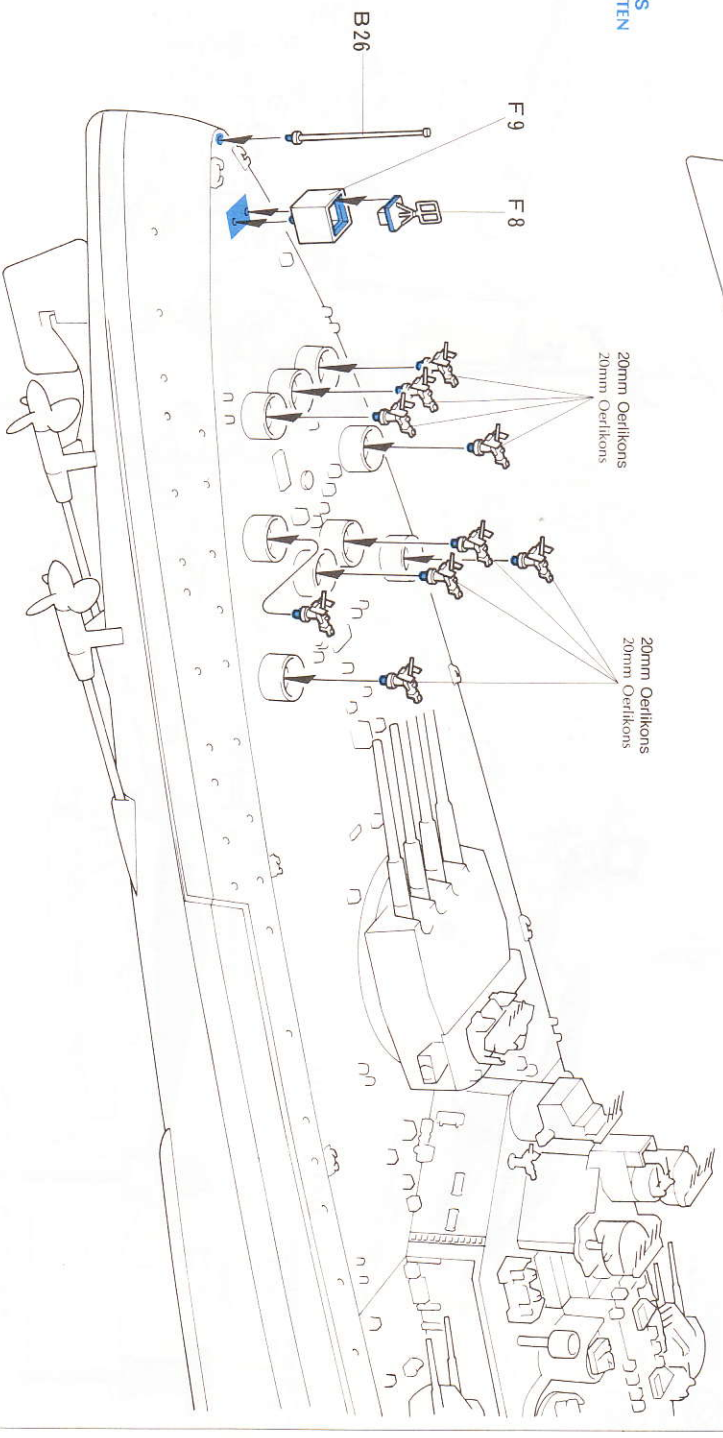
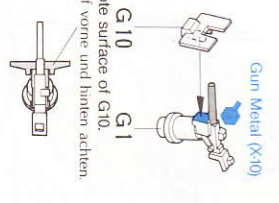
**20** ATTACHING FORE DECK PARTS  
 EINBAU DER VORDERDECKBAUTEN

- ◀ 20mm Oerlikons ▶
- ◀ 20mm Oerlikons ▶
- ★ Make 5 sets.
- ★ 5 Satz machen

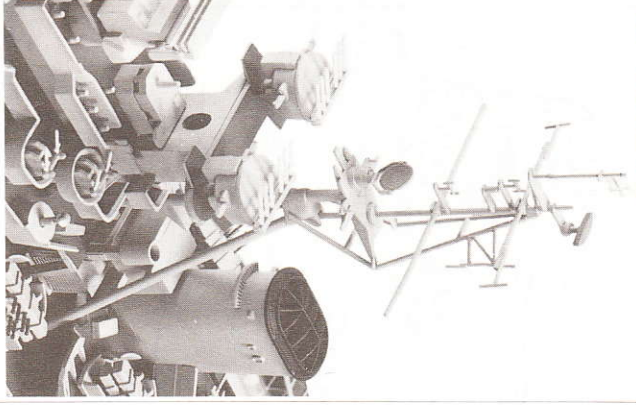


**21** ATTACHING AFT DECK PARTS  
 EINBAU DER HINTERDECKBAUTEN

- ◀ 20mm Oerlikons ▶
- ◀ 20mm Oerlikons ▶
- ★ Make 9 sets.
- ★ 9 Satz machen

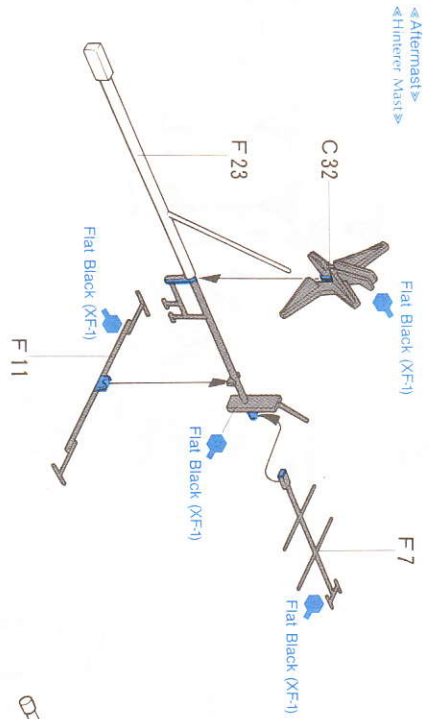


**22** FORE MAST  
VORDERER MAST

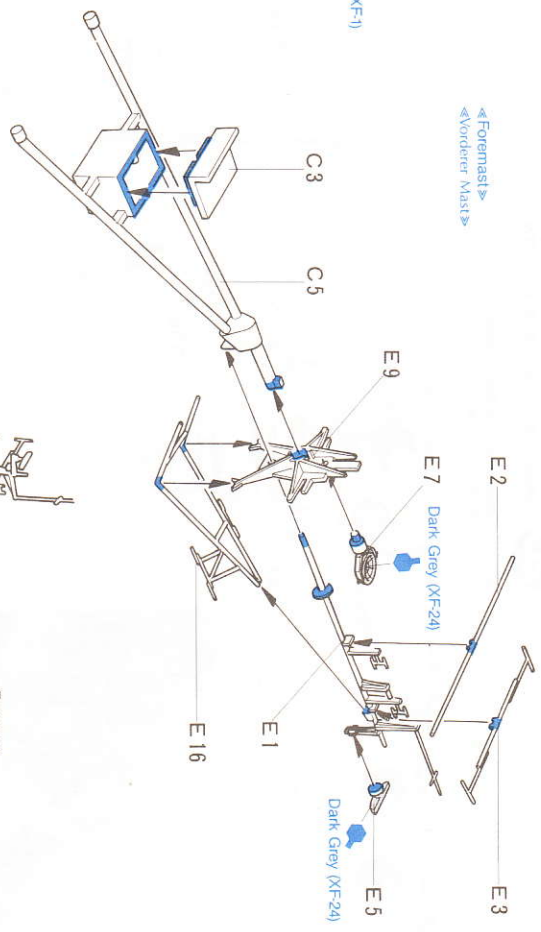


**22** MAST  
MAST

«Aftmast»  
«Hinterer Mast»

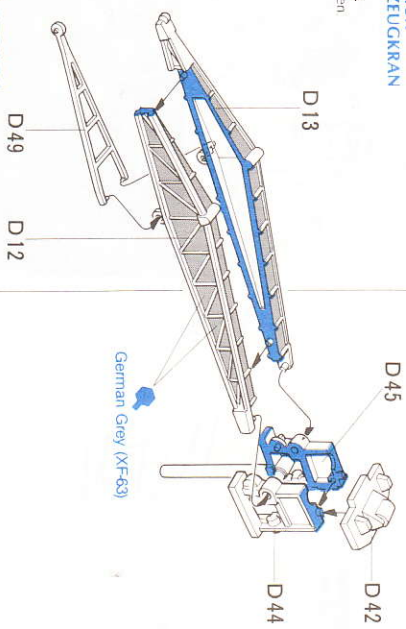


«Foremast»  
«Vorderer Mast»

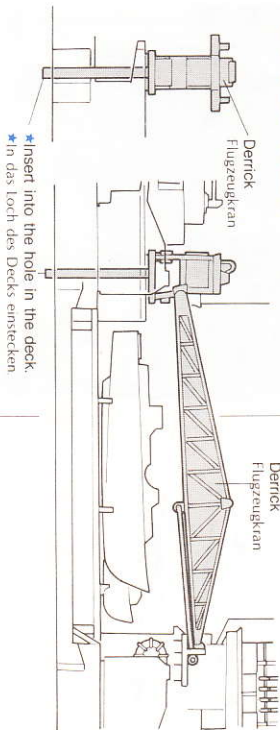


**23** DERRICK  
FLUGZEUGKRAN

\* Make 2 sets.  
\* 2 Satz machen

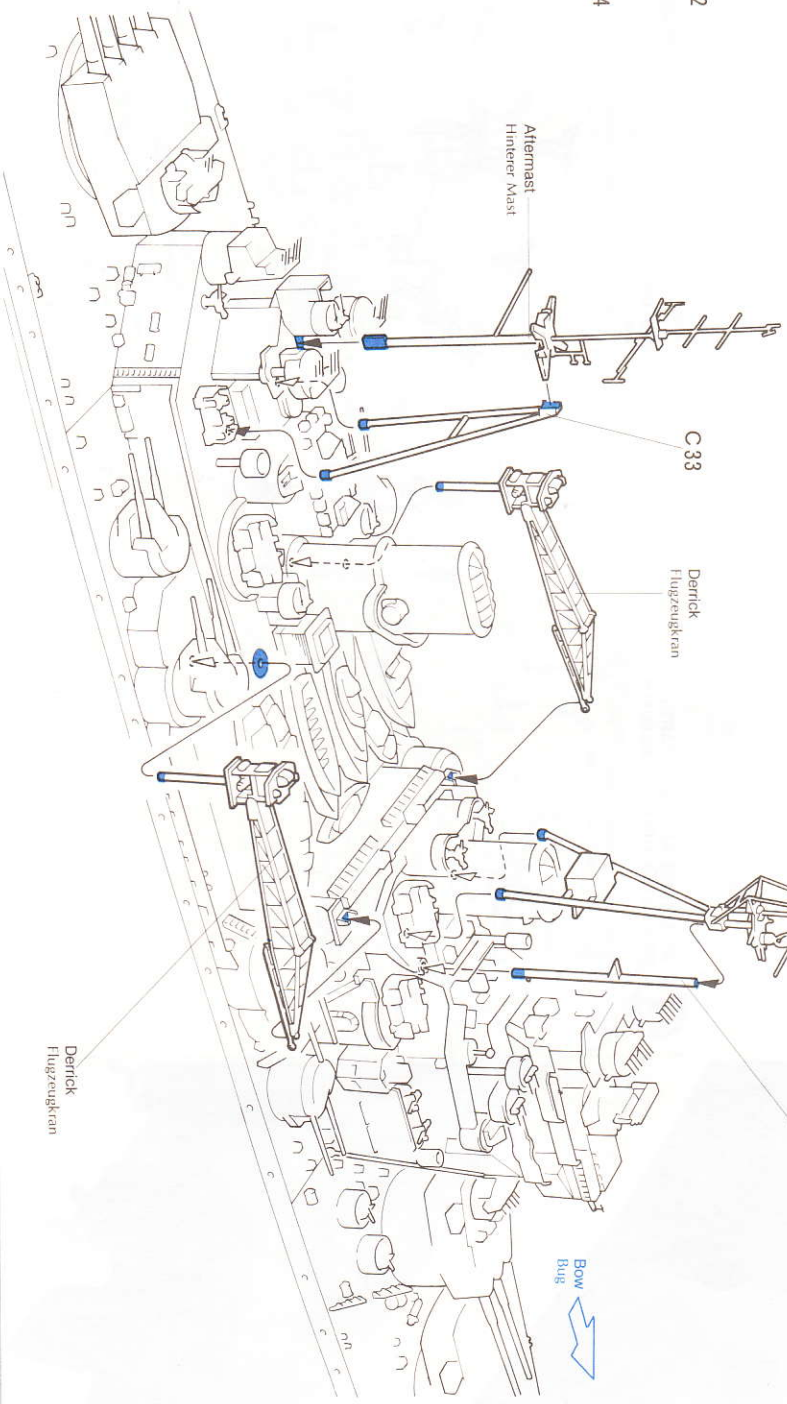


**ATTACHING DERRICK  
EINBAU DES FLUGZEUGKRANS**



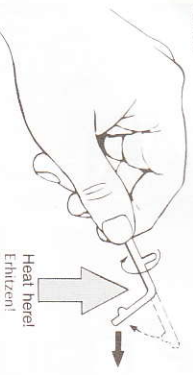
\* Insert into the hole in the deck.  
\* In das Loch des Decks einstecken

**23** ATTACHING MAST  
EINBAU DER MASTE



## 24 RIGGING ANTENNENVERDRÄHTUNG

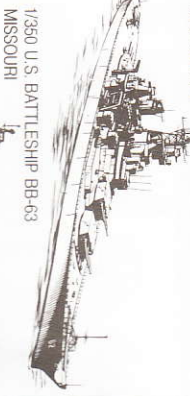
The rigging will make your model look better. It should be added after the model has been painted. Make the slender wires for the rigging as follows: Cut off a runner to a suitable length. Heat it with a candle flame for a while. Remove from the flame and pull it both ways. Attach the rigging referring to the drawings, box top, etc. Cut a little longer than necessary. Fix in place by applying adhesive with a match. The extra should be cut off after the adhesive has dried.



Mit Antennenverdrähtung sieht das Modell besser aus. Man sollte diese aber erst nach der Bemalung anbringen. Aus dem Spritzling-Rückstand eine Länge auswickeln. Über Kerzenflamme das Plastikmaterial kurz erhitzen, von der Flamme wegnehmen und auseinanderziehen, dabei zwischen Daumen und Zeigefinger drehen.  
Diese Antennen-Drähte nun nach den Zeichnungen, Kartonbild etc. anbringen. Die Drähte aber immer etwas länger lassen. Den Klebstoff mit Streichholz anbringen. Nach Trocknen des Klebstoffes die Überlängen abschneiden, bzw. abzwicken.

## BUILD A COLLECTION OF TAMAYA PRECISION SHIP MODELS

1/350 U.S. NAVY BATTLESHIP BB-62  
NEW JERSEY



1/350 U.S. BATTLESHIP BB-63  
MISSOURI



1/350 U.S. AIRCRAFT CARRIER  
CVN-65 ENTERPRISE



TAMAYA PLASTIC MODEL CO.  
6291 OSHIMA-KU, SHIZUOKA-CITY, JAPAN

## 24 APPLYING RIGGING ANTENNENVERDRÄHTUNG

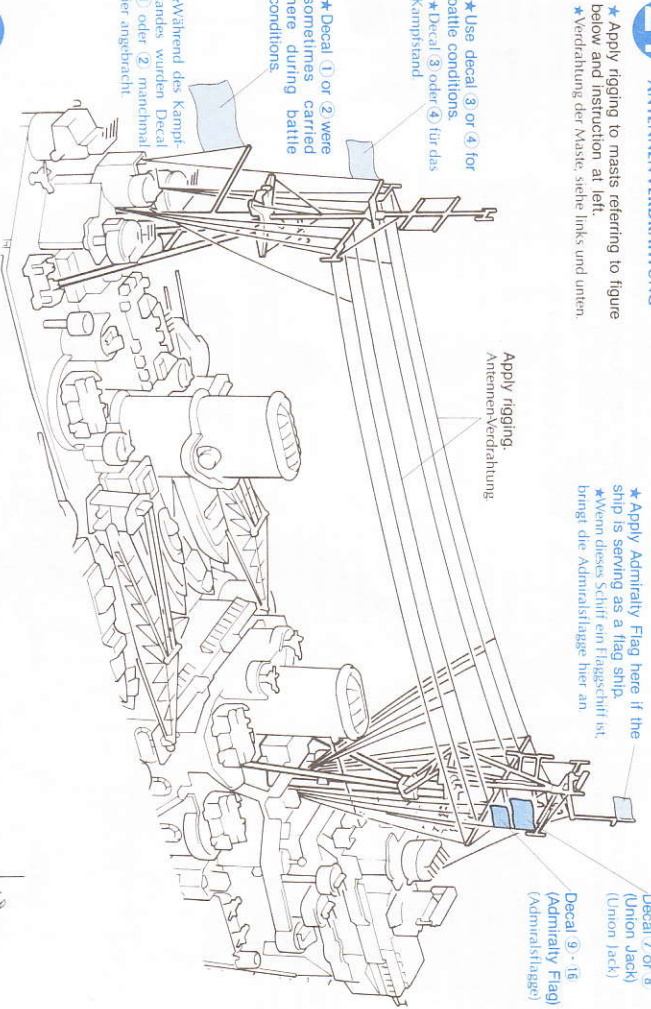
Apply rigging to masts referring to figure below and instruction at left.

Verdrähtung der Masten, siehe links und unten.

Use decal 3 or 4 for battle conditions.  
Decal 3 oder 4 für das Kampfstand

Decal 1 or 2 were sometimes carried here during battle conditions.

Während des Kampfstandes wurden Decal 1 oder 2 manchmal hier angebracht



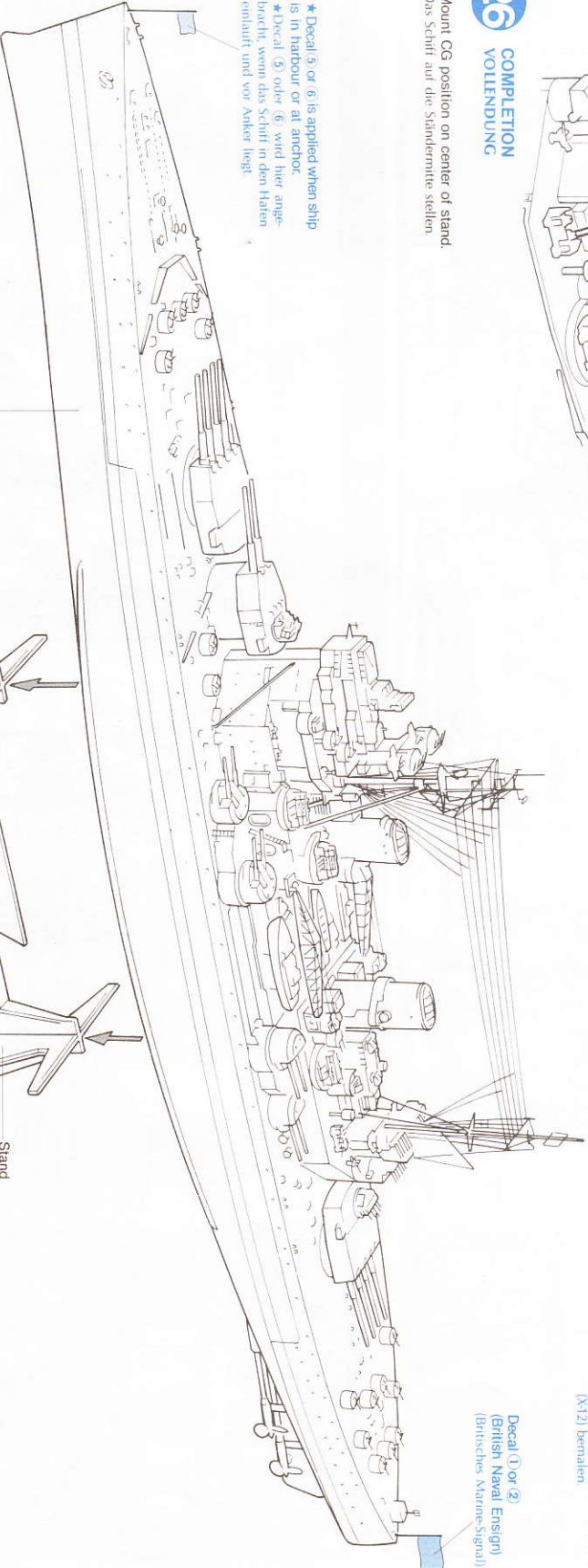
Apply Admiralty Flag here if the ship is serving as a flag ship.  
Wenn dieses Schiff ein Flaggschiff ist, bringt die Admiralflagge hier an

Decal 7 or 8 (Union Jack)  
Decal 9 - 16 (Admiralty Flag) (Admiralflagge)

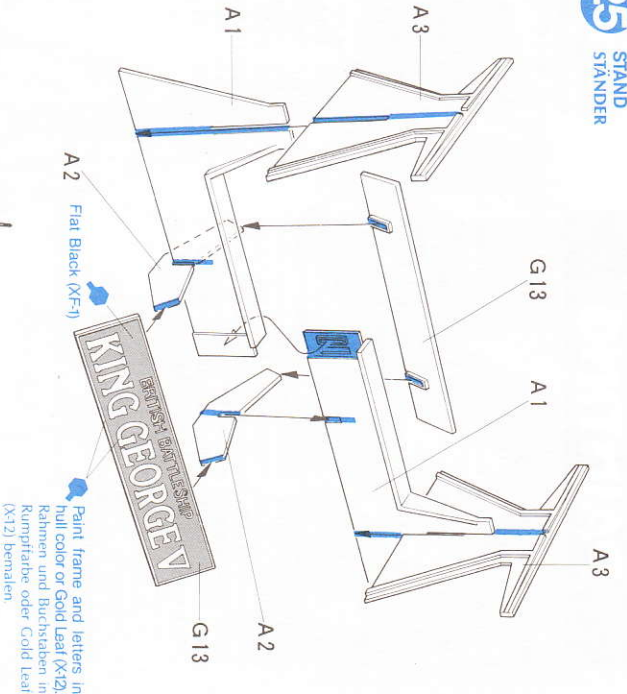
## 26 COMPLETION VOLLENDUNG

Mount CG position on center of stand.  
Das Schiff auf die Ständermitte stellen

Decal 5 or 6 is applied when ship is in harbour or at anchor.  
Decal 5 oder 6 wird hier angebracht, wenn das Schiff in den Häfen einläuft und vor Anker liegt



## 25 STAND STÄNDER



Paint frame and letters in hull color or Gold Leaf (X12).  
Kahnen und Buchstaben in Rumpffarbe oder Gold Leaf (X12) bemalen

Decal 1 or 2 (British Naval Ensign) (Britisches Marine-Signal)

Stand  
Ständer

Modell  
Modell

# PAINTING

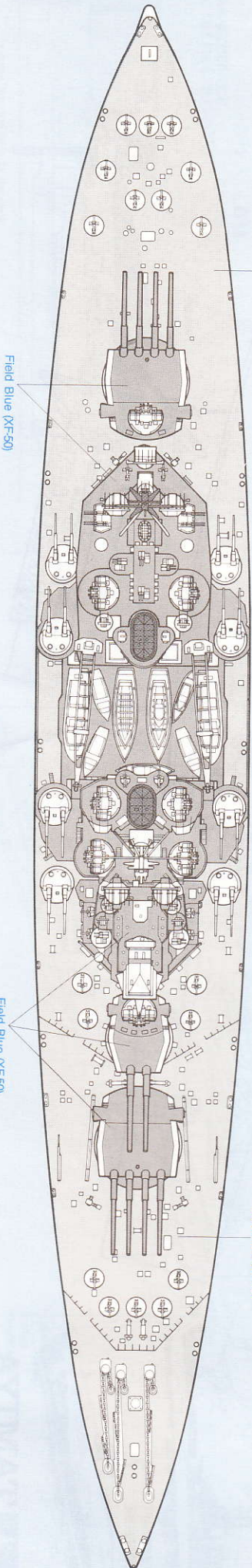
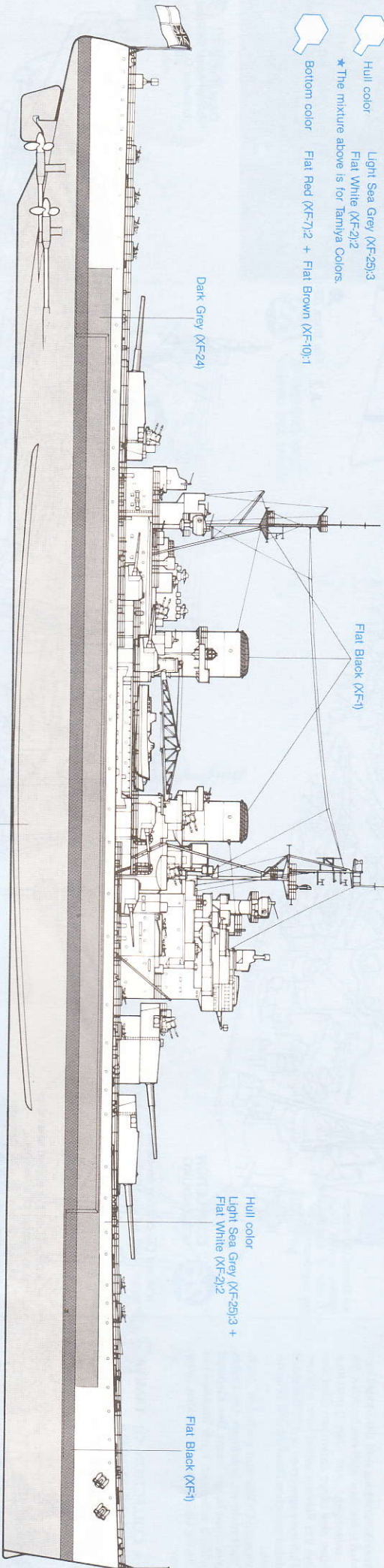
## PAINTING OF THE KING GEORGE V

In 1943, the British Naval Department issued an official handbook which laid down several official schemes, and even expounded the theory of camouflage, color tones etc. During mid 1945, the King George V carried an Admiralty standard type B scheme. That is the overall hull in light grey and the hull panel in medium blue, and with the vertical portions of superstructure in light grey. The metal decks and platforms were dark grey. Dark grey was also employed on the upper third portion of every 14 inch gun barrel, their gunhouses and the 5.25 inch turret crowns. The bare natural wood planked deck can be done with deck tan on the model. Under water section is painted hull red with the water line in black. Detailed painting for machine guns, fast boats, cutters etc. are called out during construction. Colors indicated with ( ) are Tamiya Acrylic paints.

Hull color  
Light Sea Grey (XF-25)3  
Flat White (XF-2)2

\*The mixture above is for Tamiya Colors.

Bottom color Flat Red (XF-7)2 + Flat Brown (XF-10)1



and should be done at that time. The many subtle details of this model can be enhanced by going over certain areas with a thin wash of black, and limited rust areas depicted in matt red, red brown and orange. This will make this model stand out much more realistically.

### DECAL APPLICATION

- (1) Remove all dust, dirt and adhesive smears with a wet cloth before applying any decals.
- (2) The decal to be applied should be removed beforehand from the decal sheet. Cut off translucent film along colored parts.
- (3) Dip the decal in tepid water for about 10 seconds and then remove it onto a clean cloth. Be careful of over immersion to avoid loss of decal's adhesive.
- (4) Hold the backing sheet edge and slide the decal onto the model.
- (5) Wet the decal with a little water on your finger so that it can be moved more easily into position.
- (6) Press the decal down gently with a clean soft cloth to remove air bubbles and until all excess water has been fully absorbed. When a decal has to be ap-

plied to a surface which is uneven or curved, press the decal down with a hot towel so that the decal will fit the contours perfectly. Cut off the excess transparent portion around each decal. The decal must then not be touched until dry.

### COLORS REQUIRED

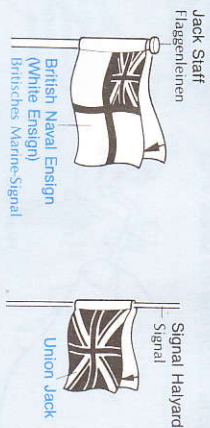
#### FOLGENDE FARBEN WERDEN BENÖTIGT

Gun Metal	..... X-10
Gold Leaf	..... X-12
Flat Black	..... XF-1
Flat White	..... XF-2
Flat Red	..... XF-7
Flat Brown	..... XF-10
Dark Grey	..... XF-24
Light Sea Grey	..... XF-25
Field Blue	..... XF-50
Deck Tan	..... XF-55
Metallic Grey	..... XF-56
German Grey	..... XF-63

Use Tamiya Colors for painting your model. Use only plastic model paints and ventilate room with fresh air.

### ATTACHING SIGNAL FLAGS AND ENSIGNS

All British ships of war, when commissioned, wore a white ensign on the ensign staff. The Union Jack and Admiralty flags were flown from the foremast signal halyard. When a ship served as an admiral's flag ship, the Admiralty Flag was flown from the fore topmast. While the ship was in harbour or at anchor, the Union Jack was flown on the jackstaff at the bow. Cut the flags close to the color line, fold and attach into position carefully around the jackstaff and halyards.



Hull color  
Light Sea Grey (XF-25)3 +  
Flat White (XF-2)2

Flat Black (XF-1)

Bottom color  
Flat Red (XF-7)2 + Flat Brown (XF-10)1

Deck Tan (XF-55)

Deck Tan (XF-55)

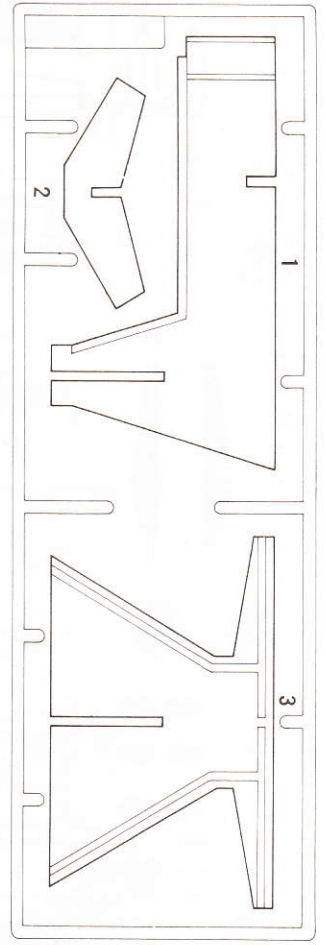
Field Blue (XF-50)

Field Blue (XF-50)

# PARTS

## A PARTS (2 pcs.)

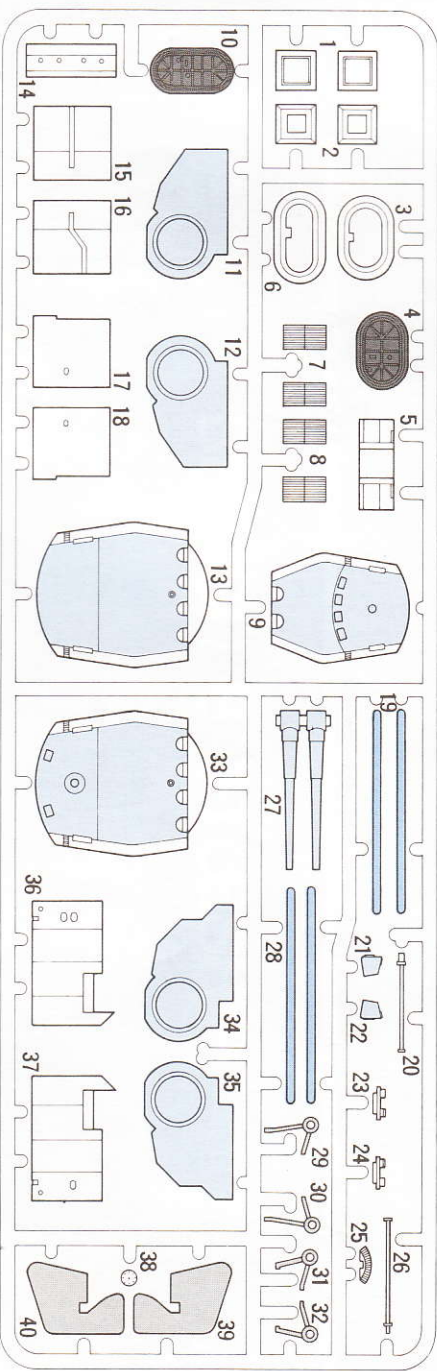
Flat Black (XF-1)



AFT DECK

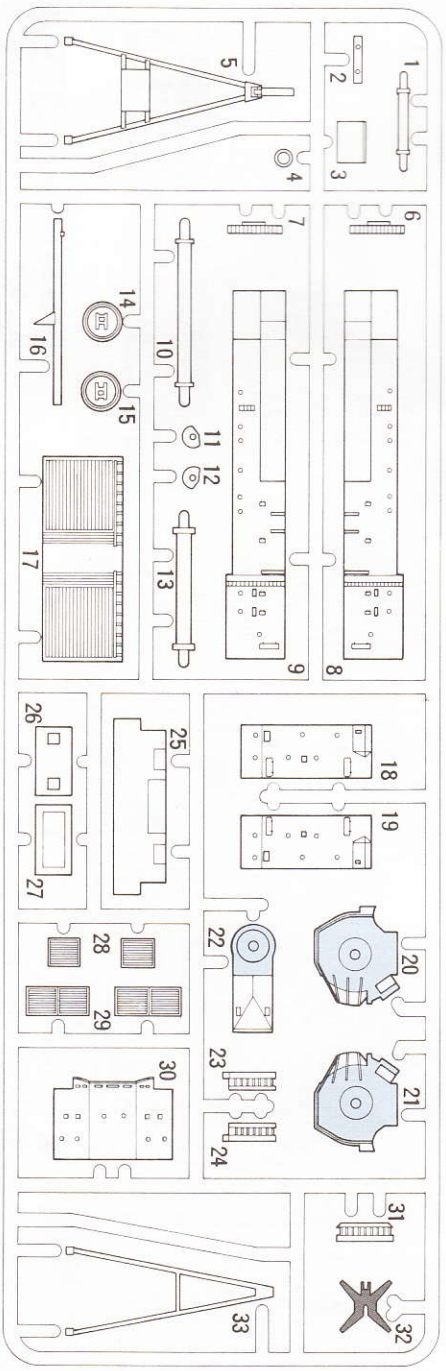
## B PARTS

- Hull color
- Bottom color
- Field Blue (XF-50)
- Gold Leaf (X-12)
- Flat Black (XF-1)



## C PARTS

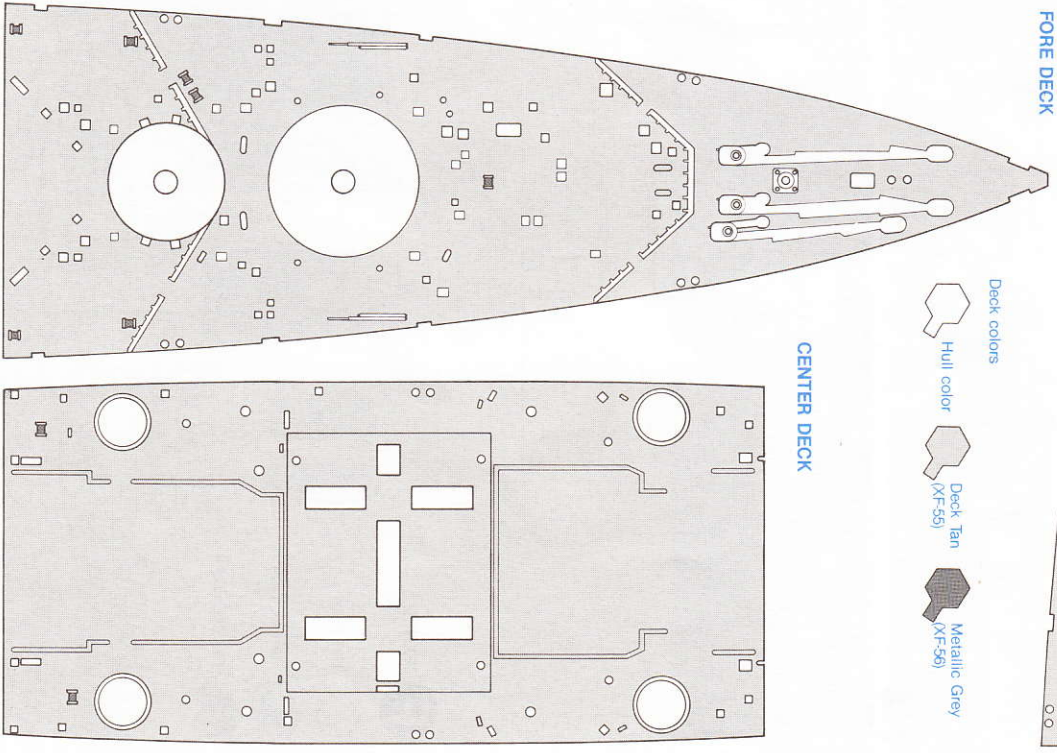
- Hull color
- Field Blue (XF-50)
- Flat Black (XF-1)



FORE DECK

CENTER DECK

- Deck colors
- Hull color
- Deck Tan (XF-55)
- Metallic Grey (XF-56)



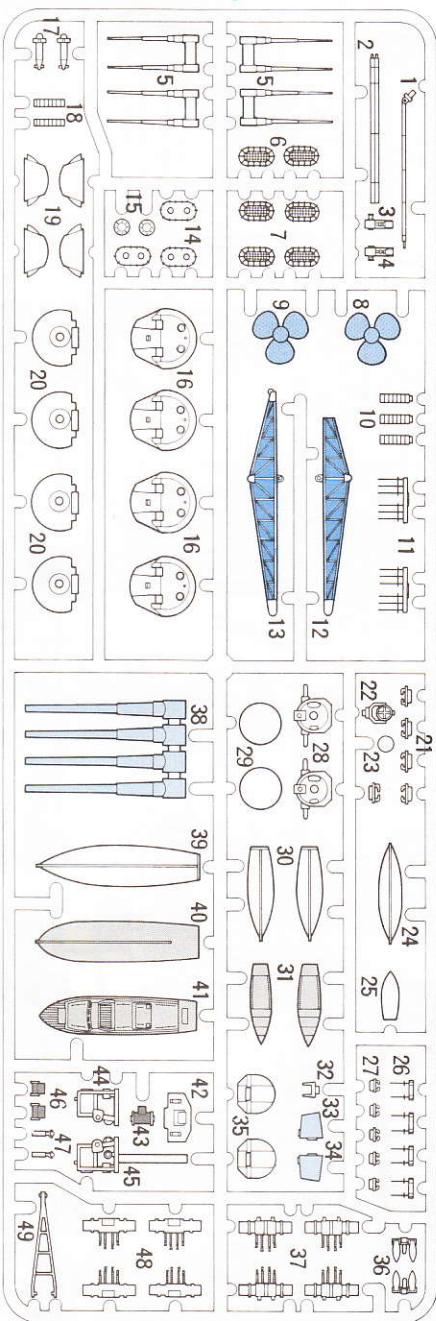


# PARTS

- Hull ..... X 1
- Tweezers ..... X 1
- Decal ..... X 1

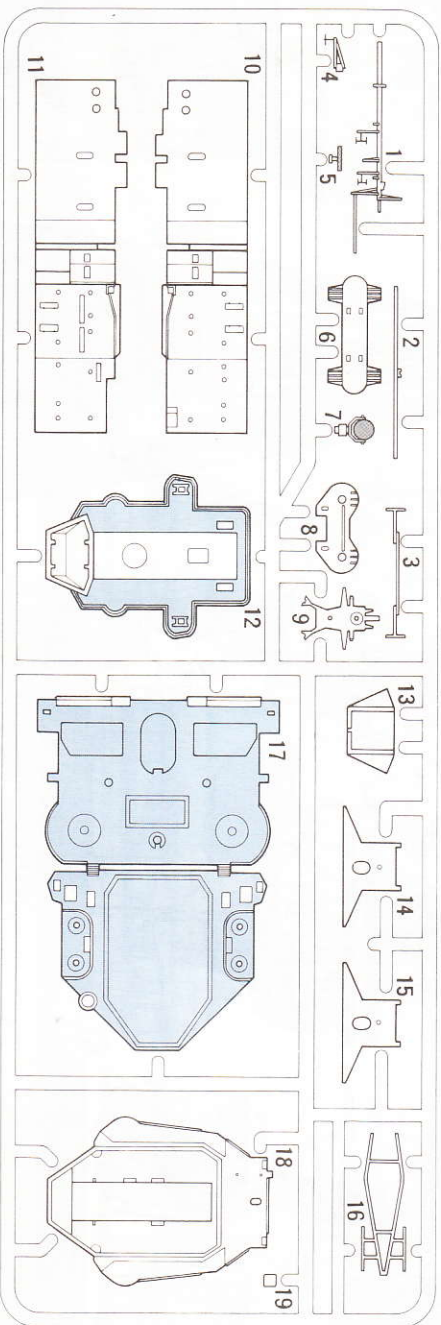
## D PARTS (2 pcs)

- Hull color
- Flat White (XF-2)
- Gold Leaf (X-12)
- Field Blue (XF-50)
- German Grey (XF-63)
- Gun Metal (X-10)
- Metallic Grey (XF-36)



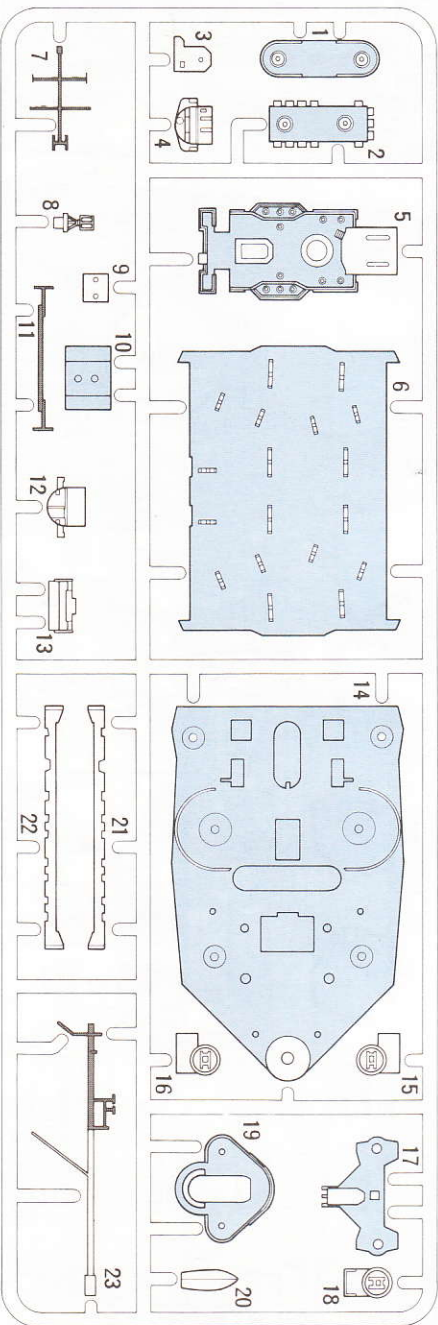
## E PARTS

- Hull color
- Field Blue (XF-50)
- Dark Grey (XF-24)



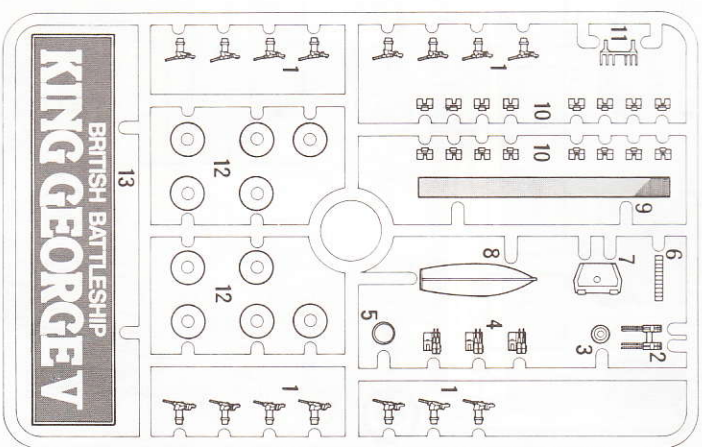
## F PARTS

- Hull color
- Field Blue (XF-50)
- Flat Black (XF-1)



## G PARTS (2 pcs)

- Hull color
- Deck Tan (XF-55)
- Gun Metal (X-10)
- Flat Black (XF-1)



BRITISH BATTLESHIP  
**KING GEORGE V**

