

TRF 801XT

TAMIYA RACING FACTORY



★Photo shows prototype and may differ from final product.

1/8 Scale Nitro Fuel Powered Radio Controlled Race Truck Chassis Kit



ASSEMBLY KIT

※Radio gear, wheels, tires, engine, manifold & pipe not included.
★Specifications are subject to change without notice.

TAMIYA AMERICA, INC.



TAMIYA, INC.

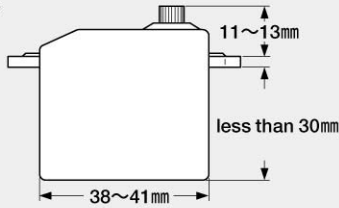
ITEMS REQUIRED

《RADIO CONTROL UNIT》

2-channel, 2-servo R/C unit for glow engine car is recommended for this model. Use servo with torque output over 6.5kg-cm.

★Refer to the instruction manual included with the R/C unit.

Suitable servo size



★Small size servo cannot be installed.

《GLOW ENGINE & MUFFLER》

Engines of 21-28 class displacements can be mounted on this chassis. Muffler and manifold are separately required.

《GLOW ENGINE FUEL & ENGINE STARTING EQUIPMENT》

Use only glow engine fuel. To ensure top performance and protection of your engine, use glow engine fuel Tamiya TG-Fuel Super. Engine starter box and engine starting equipment are necessary for starting engine. They will allow easy starting and operation of your engine.

《TIRES & WHEELS》

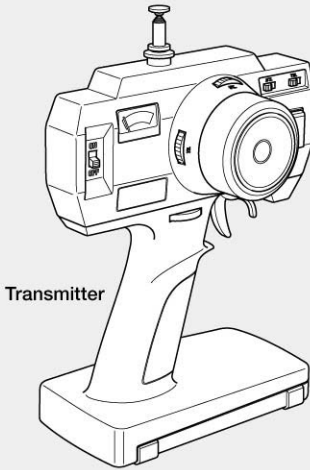
Tires and wheels are not included in this kit. 1/8 scale truck tires and 0 offset wheels for 17mm wheel hubs are separately available. Wheels wider than 2.4 inches are not compatible.

Polycarbonate paints

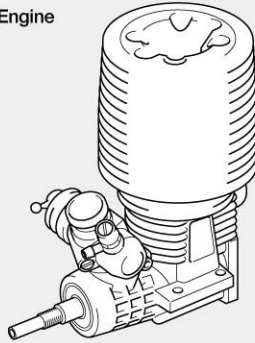
★Prepare polycarbonate paints to paint body as you wish.



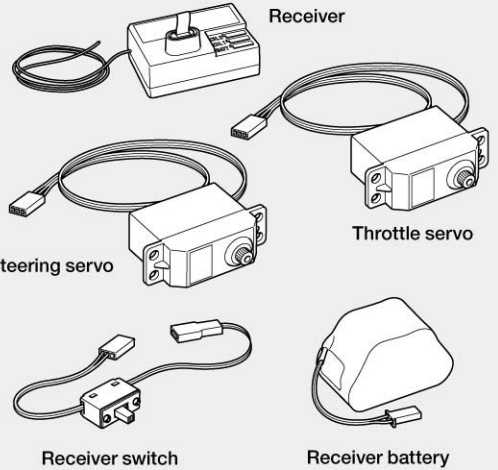
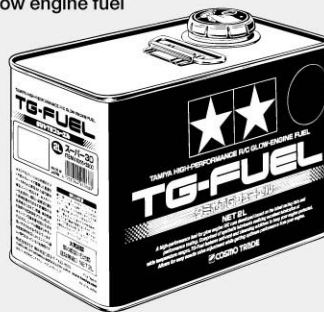
2-channel, 2-servo R/C unit



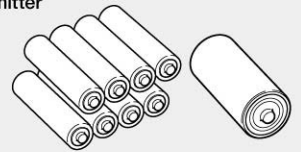
Glow Engine



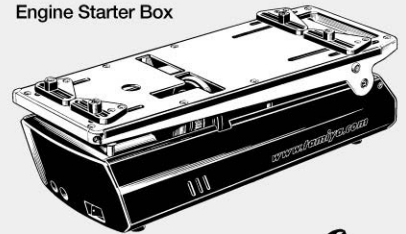
Glow engine fuel



Batteries for transmitter and plug heater



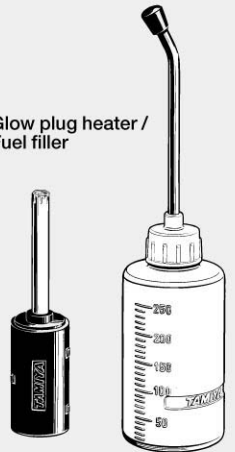
Engine Starter Box



Tamiya engine treatment spray



Glow plug heater / Fuel filler

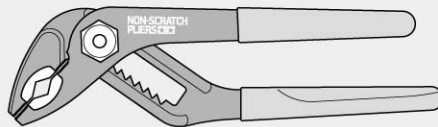


TOOLS RECOMMENDED

TRF grub driver (1.5mm, 2mm, 2.5mm)



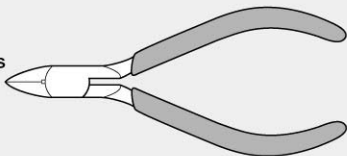
Non-scratch plier



Tweezers



Side cutters



Instant cement



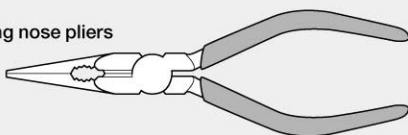
Modeling knife



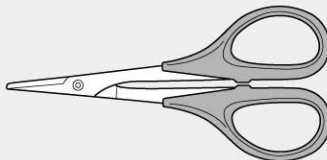
Synthetic rubber cement



Long nose pliers



Scissors



★Assembly of this kit will also require a caliper, + screwdriver (large, small), - screwdriver (small) and a pin vise. A file and soft cloth will also assist in construction.



CAUTION

- Read carefully and fully understand the instructions before commencing assembly. A supervising adult should also read the instructions if a child assembles the model.
- When assembling this kit, tools including knives are used. Extra care should be taken to avoid personal injury.
- Read and follow the instructions supplied with paints and/or cement, if used (not included in kit).
- Keep out of reach of small children. Children must not be allowed to put any parts in their mouths, or pull vinyl bags over their heads.



★ Study the instructions thoroughly before assembly.
 ★ There are many small screws, nuts and similar parts. Assemble them carefully referring to the drawings. To prevent trouble and finish the model with good performance, it is necessary to assemble each step exactly as shown.

Apply grease to the places shown by this mark.
 Apply grease first, then assemble.
 Apply liquid thread lock to the places shown by this mark.

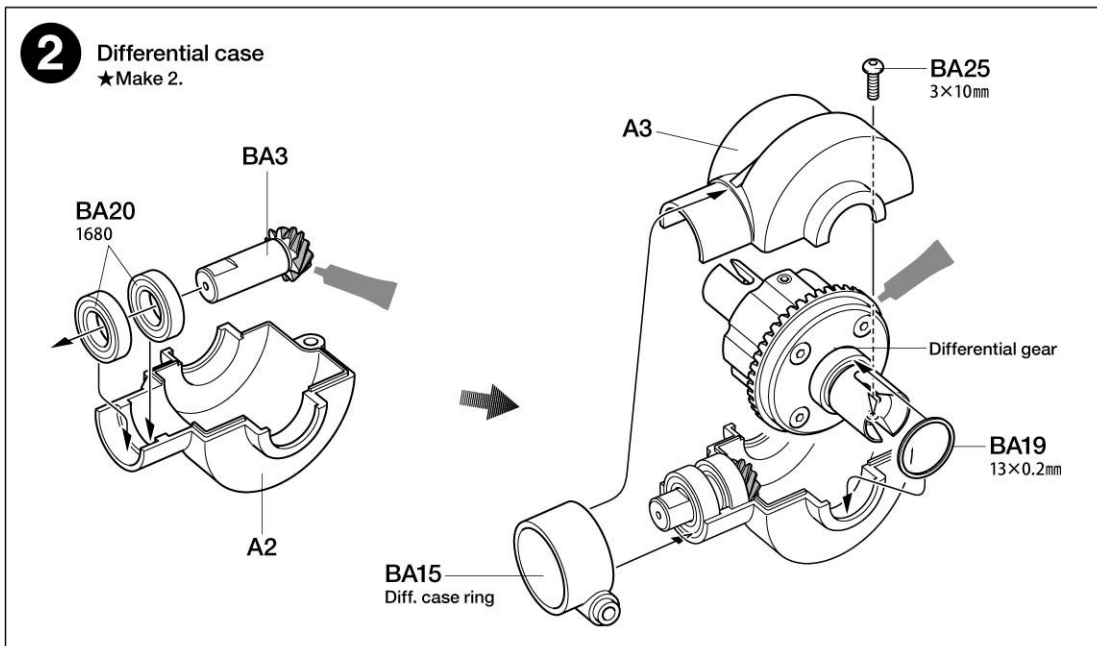
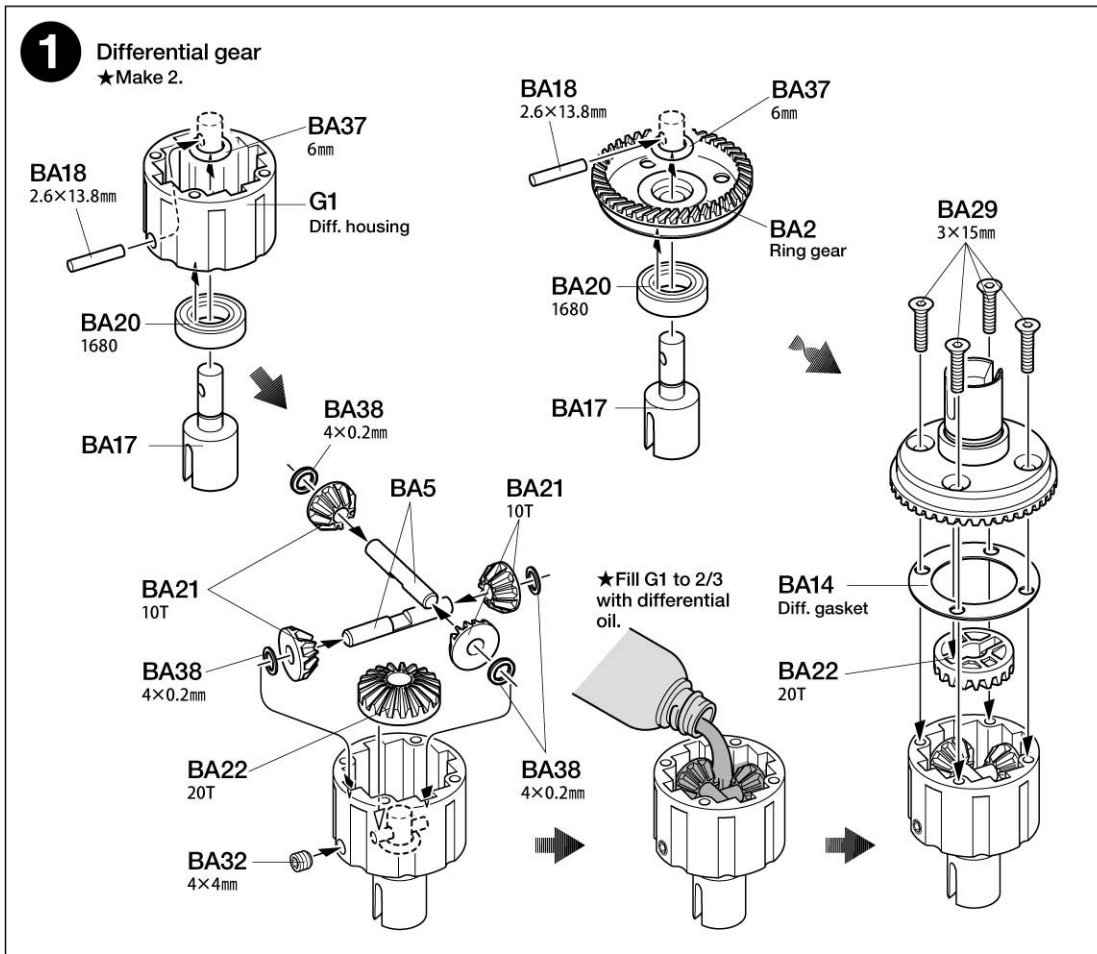
A **1~7**
METAL PARTS BAG A

1


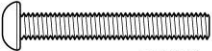
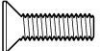
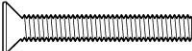

- BA5** ×4
Diff shaft
- BA17** ×4
Diff drive cup
- BA18** ×4
2.6x13.8mm Shaft
- BA20** ×4
1680 Ball bearing
- BA21** ×8
Diff. gear 10T
- BA22** ×4
Diff. gear 20T
- BA29** ×8
3x15mm Countersunk screw
- BA32** ×2
4x4mm Grub screw
- BA37** ×4
6mm O-ring
- BA38** ×8
4x0.2mm Shim

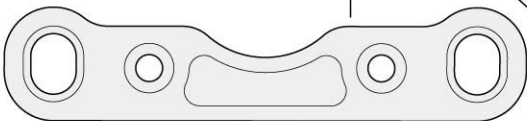
2

- BA3** ×2
Pinion gear
- BA19** ×2
13x0.2mm Shim
- BA20** ×4
1680 Ball bearing
- BA25** ×2
3x10mm Button head screw

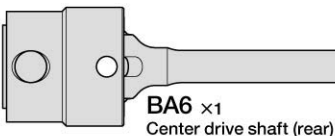


3

-  **BA25** ×4
3x10mm
Button head screw
-  **BA28** ×2
3.5x25mm
Button head screw
-  **BA30** ×2
3.5x12mm
Countersunk screw
-  **BA31** ×2
3.5x25mm
Countersunk screw
-  **BA34** ×1
5x5mm Grub screw

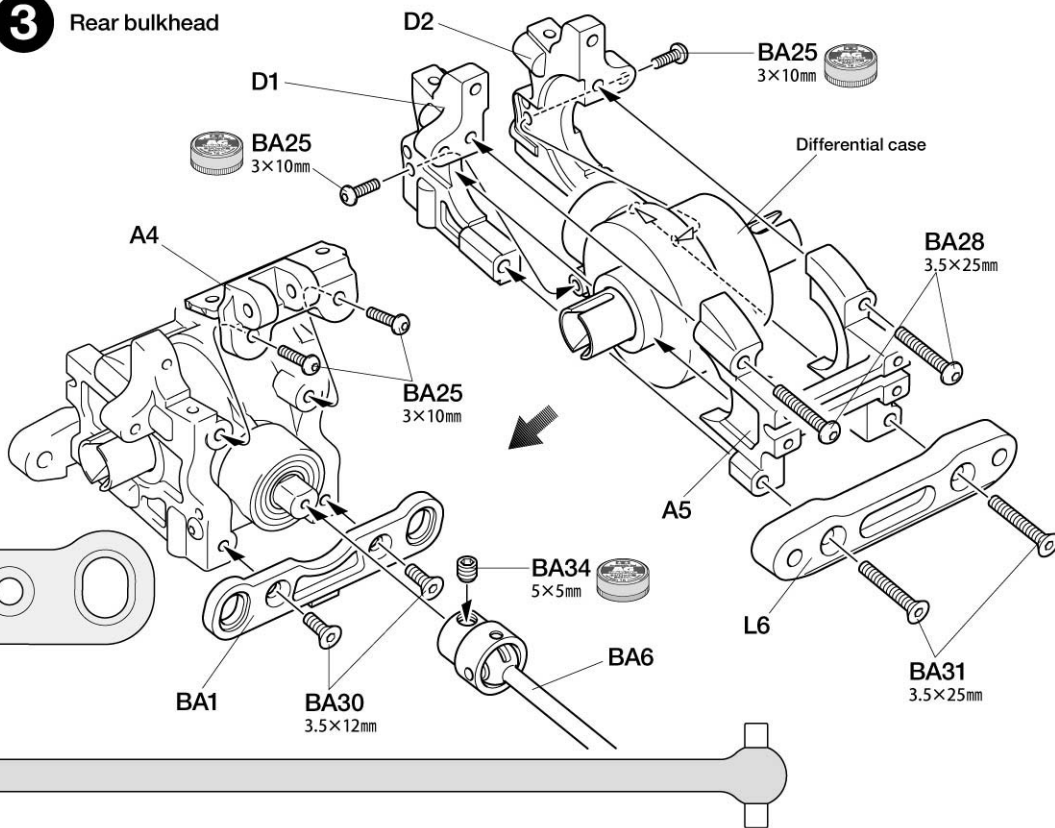


BA1 ×1
Rear susp. block

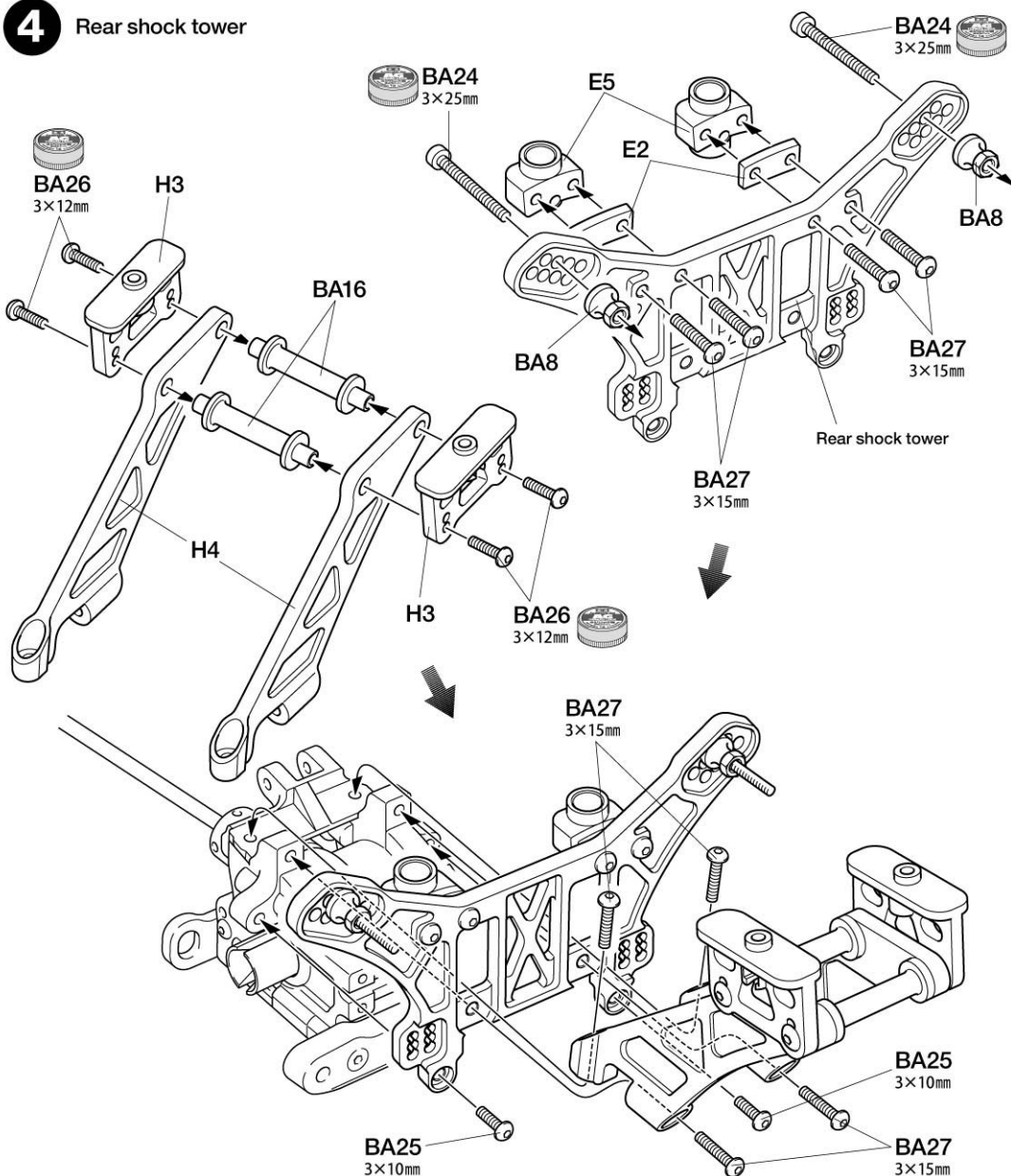


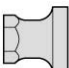





BA6 ×1
Center drive shaft (rear)

3 Rear bulkhead



4 Rear shock tower

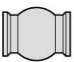

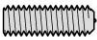


**4**

-  **BA8** ×2
Upper shock mount
-  **BA16** ×2
Wing brace
-  **BA24** ×2
3x25mm Cap screw
-  **BA25** ×2
3x10mm
Button head screw
-  **BA26** ×4
3x12mm
Button head screw
-  **BA27** ×8
3x15mm
Button head screw

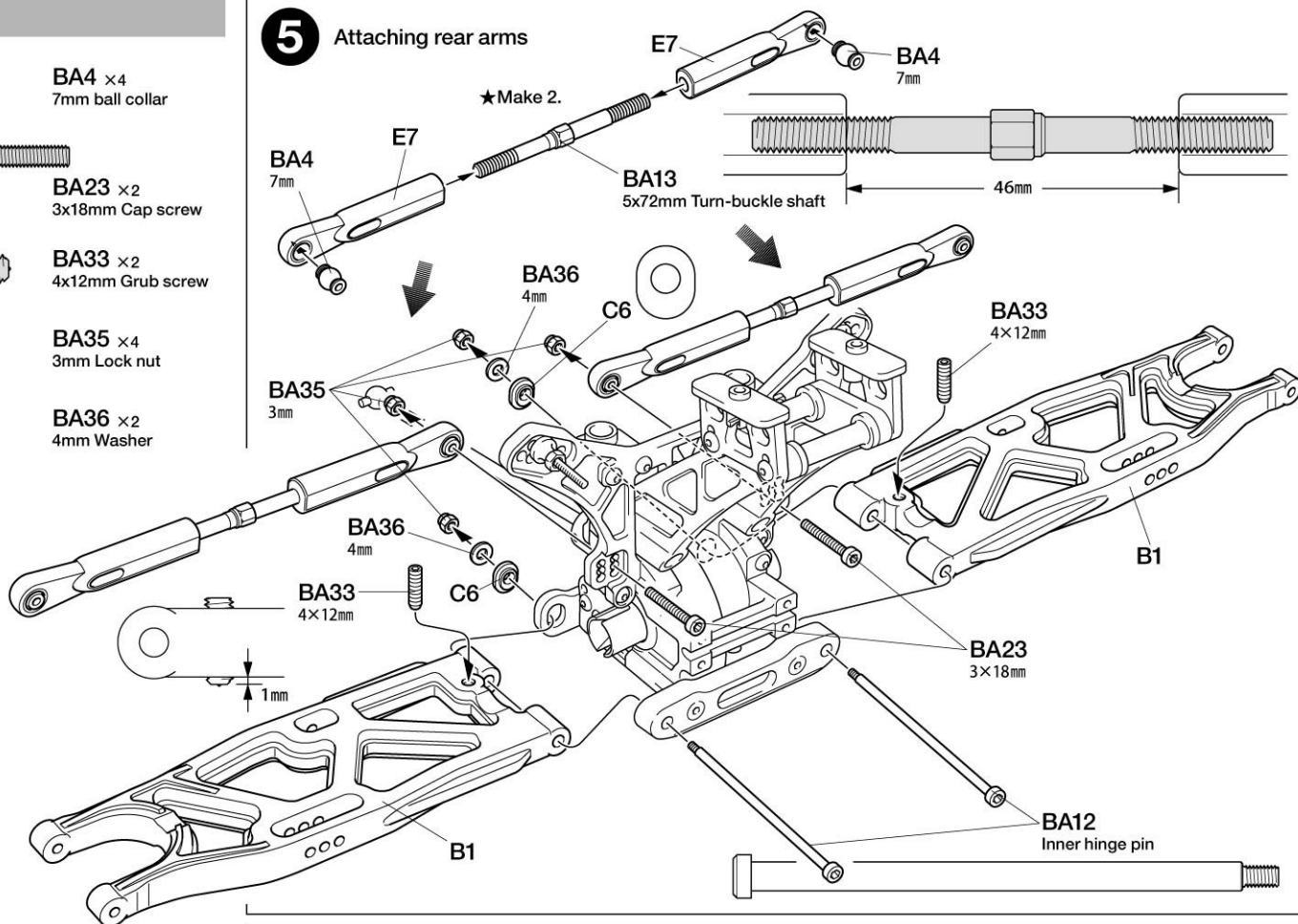
CERAMIC GREASE

This is a very effective ceramic grease formulated with Boron Nitride and is ideal for lubricating all gears, bearings and joints on radio control cars. Reduces friction and prolongs life of parts.

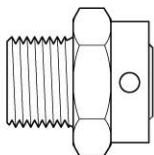
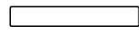
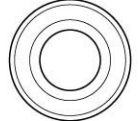

5

-  BA4 x4
7mm ball collar
-  BA23 x2
3x18mm Cap screw
-  BA33 x2
4x12mm Grub screw
-  BA35 x4
3mm Lock nut
-  BA36 x2
4mm Washer

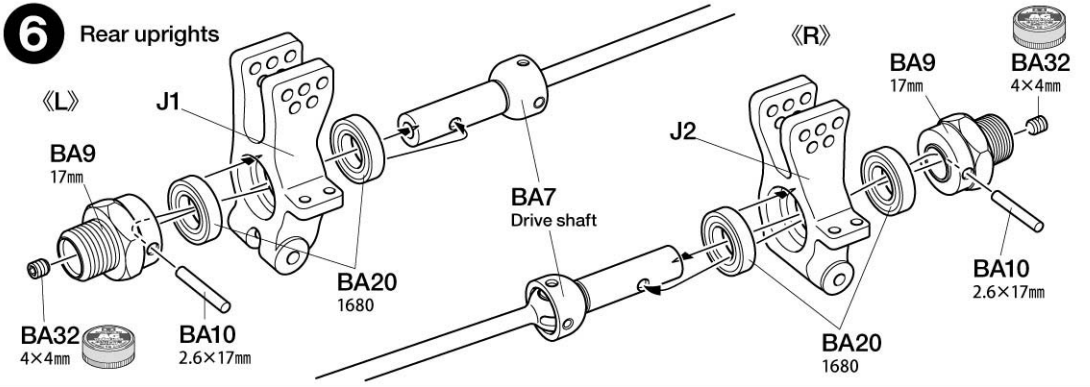
5 Attaching rear arms





6

-  BA9 x2
17mm Wheel hub
-  BA10 x2
2.6x17mm Shaft
-  BA20 x4
1680 Ball bearing
-  BA32 x2
4x4mm Grub screw

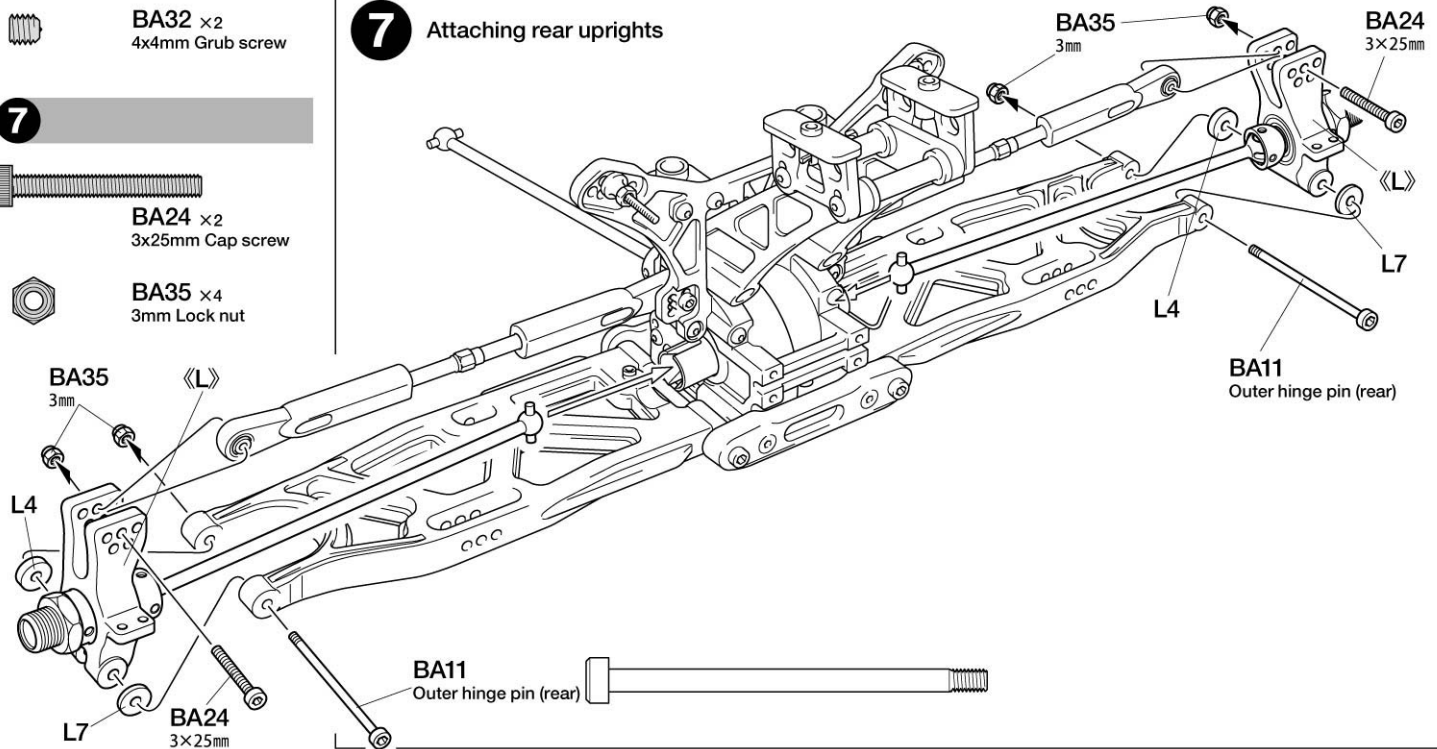
6 Rear uprights



7

-  BA24 x2
3x25mm Cap screw
-  BA35 x4
3mm Lock nut

7 Attaching rear uprights



B**8~14**

METAL PARTS BAG B

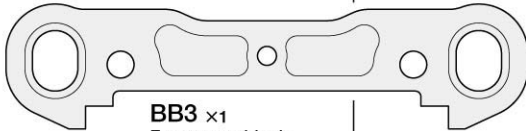
8

BA25 ×2
3x10mm
Button head screw

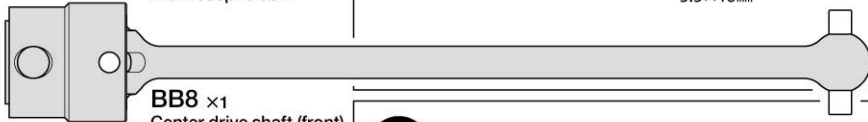
BA28 ×4
3.5x25mm
Button head screw

BA34 ×1
5x5mm
Grub screw

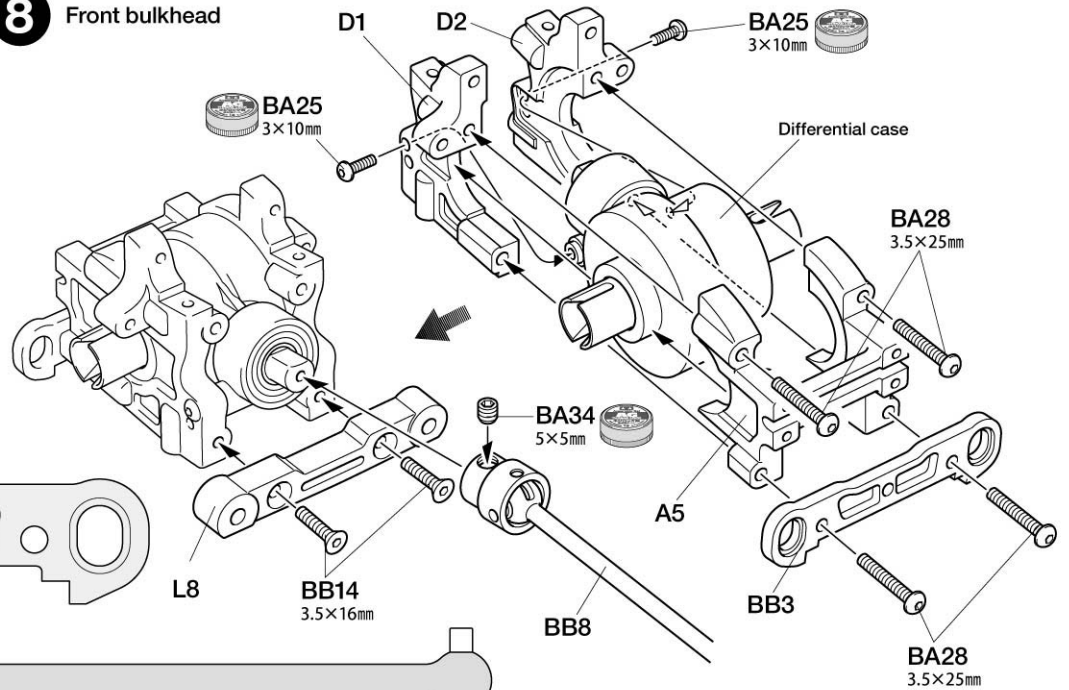
BB14 ×2
3.5x16mm
Countersunk screw



BB3 ×1
Front susp. block



BB8 ×1
Center drive shaft (front)

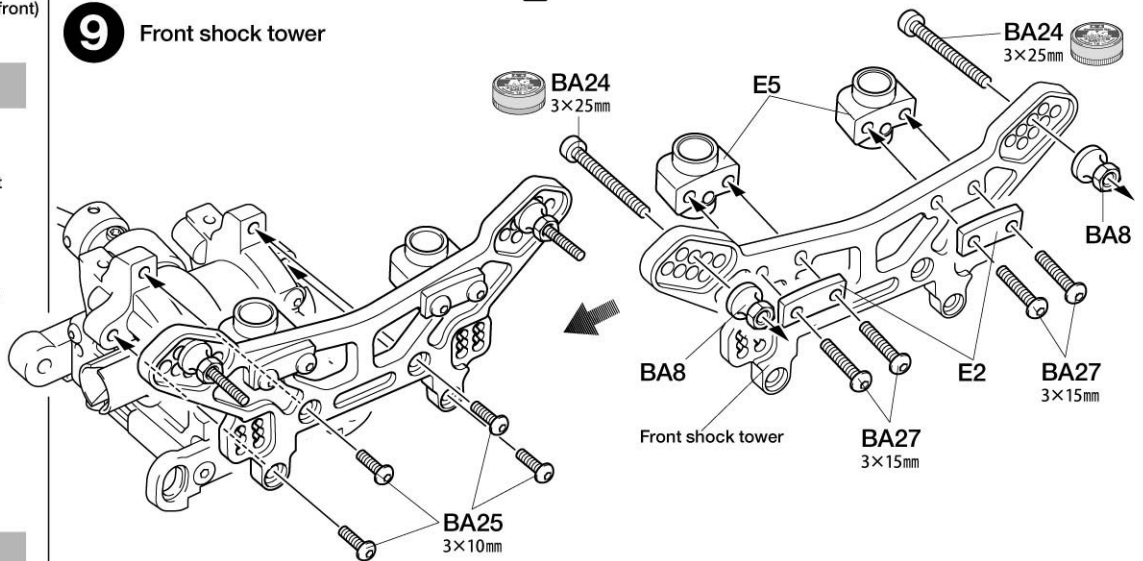
8 Front bulkhead**9**

BA8 ×2
Upper shock mount

BA24 ×2
3x25mm Cap screw

BA25 ×4
3x10mm
Button head screw

BA27 ×4
3x15mm
Button head screw

**10**

BA4 ×4
7mm ball collar

BA23 ×2
3x18mm Cap screw

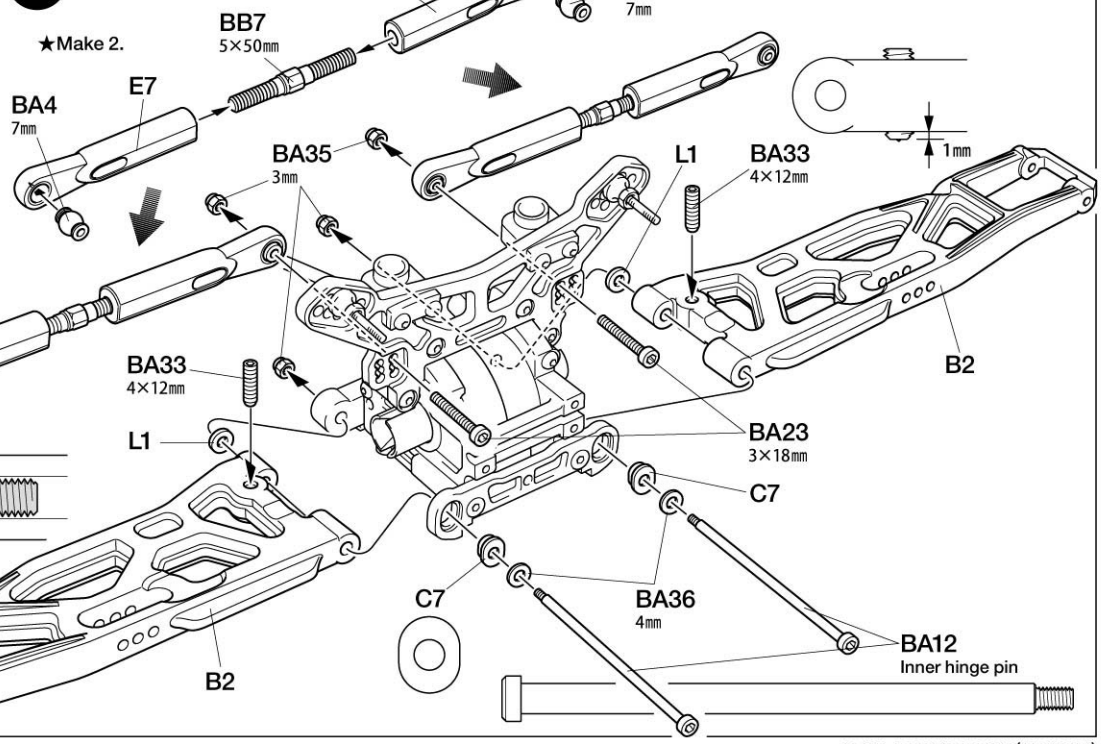
BA33 ×2
4x12mm Grub screw

BA35 ×4
3mm Lock nut

BA36 ×2
4mm Washer

10 Attaching front arms

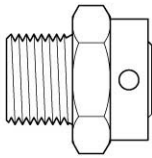
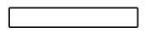
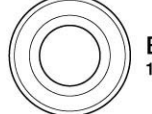





★ Make 2.

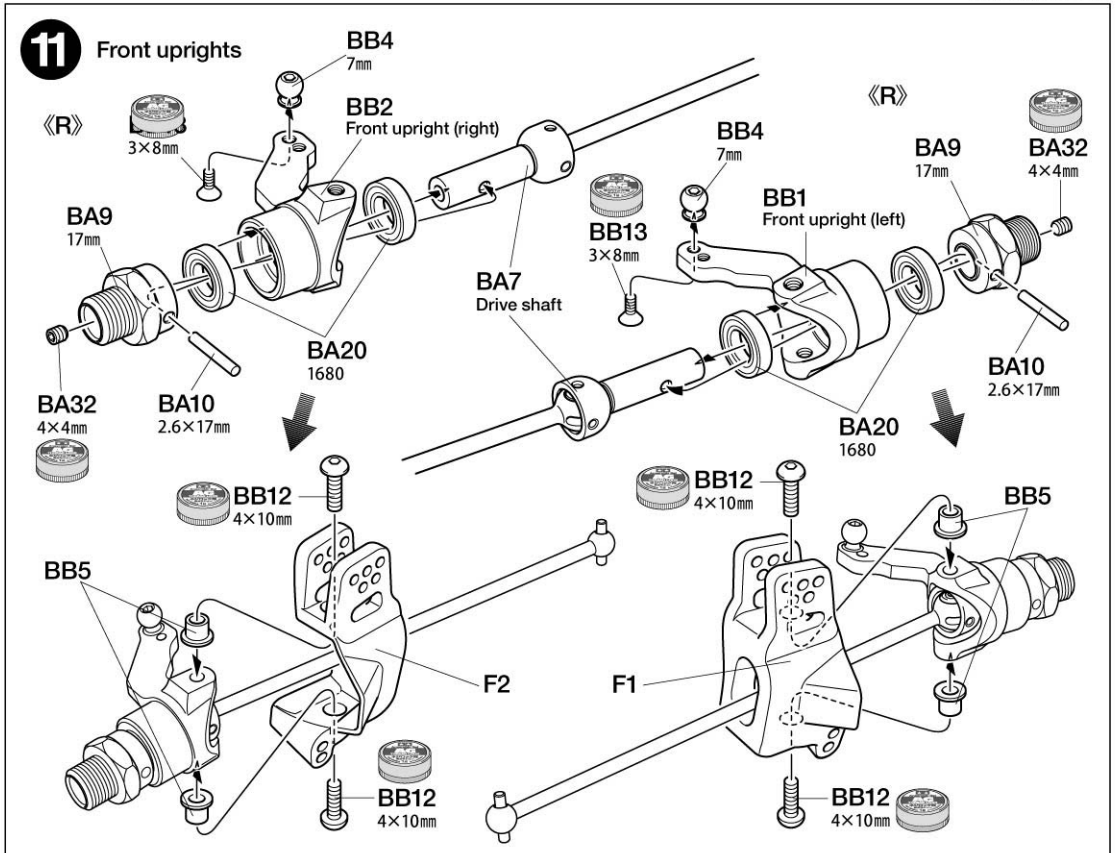


BB7 ×2
5x50mm
Turn-buckle shaft




BA12
Inner hinge pin

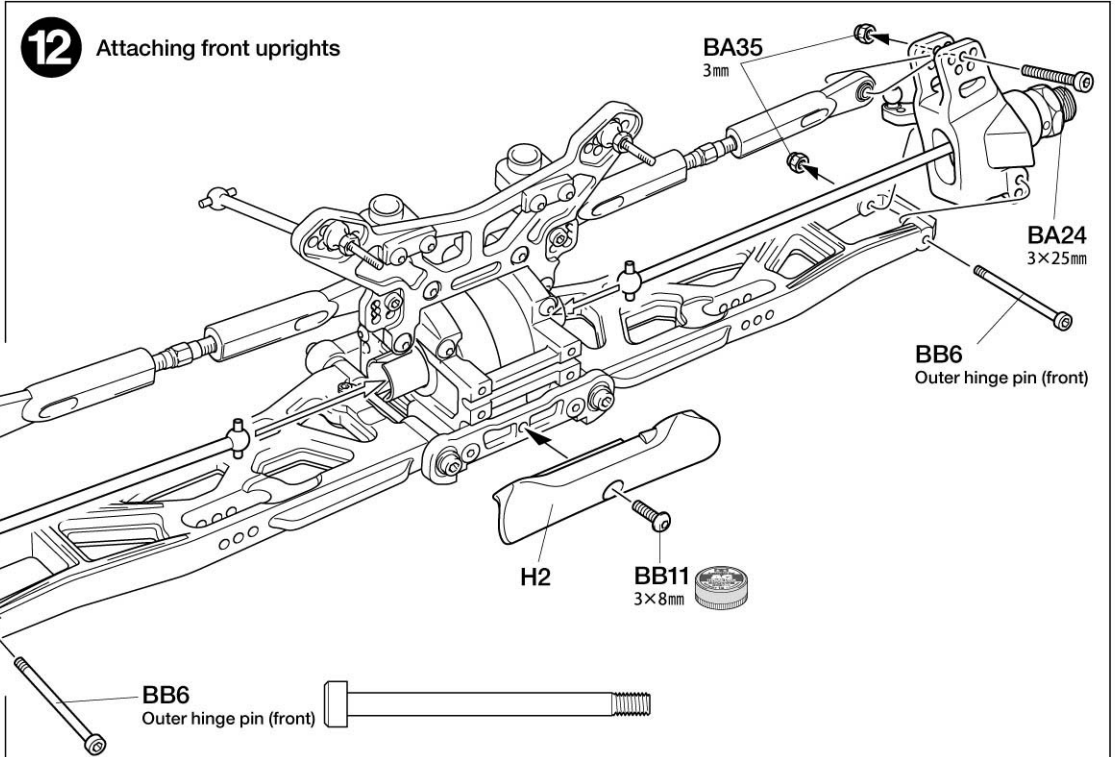
11

-  **BA9** ×2
17mm Wheel hub
-  **BA10** ×2
2.6x17mm Shaft
-  **BA20** ×4
1680 Ball bearing
-  **BA32** ×2
4x4mm Grub screw
-  **BB4** ×2
7mm Ball end
-  **BB5** ×4
Kingpin collar
-  **BB12** ×4
4x10mm Button head screw
-  **BB13** ×2
3x8mm Countersunk screw


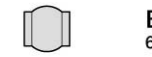



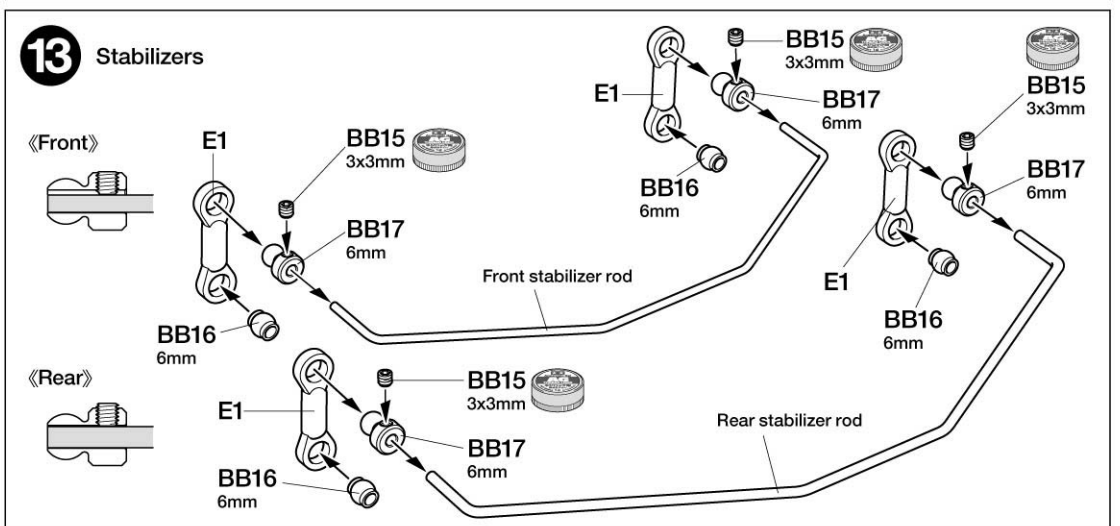
12

-  **BA24** ×2
3x25mm Cap screw
-  **BA35** ×4
3mm Lock nut
-  **BB11** ×1
3x8mm Button head screw






13

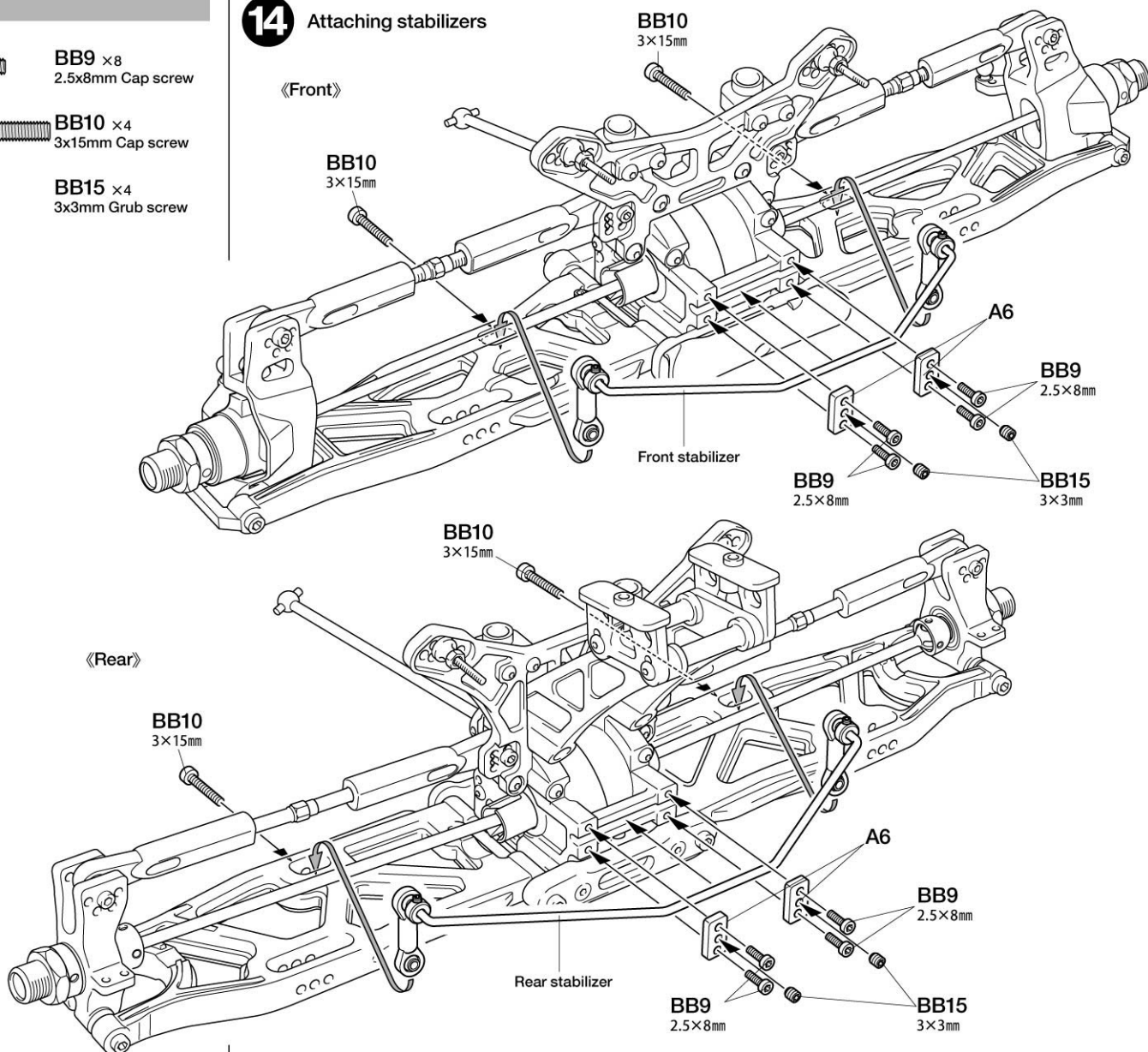
-  **BB15** ×4
3x3mm Grub screw
-  **BB16** ×4
6mm Ball collar
-  **BB17** ×4
6mm Ball end



14

-  **BB9** ×8
2.5x8mm Cap screw
-  **BB10** ×4
3x15mm Cap screw
-  **BB15** ×4
3x3mm Grub screw

14 Attaching stabilizers








C

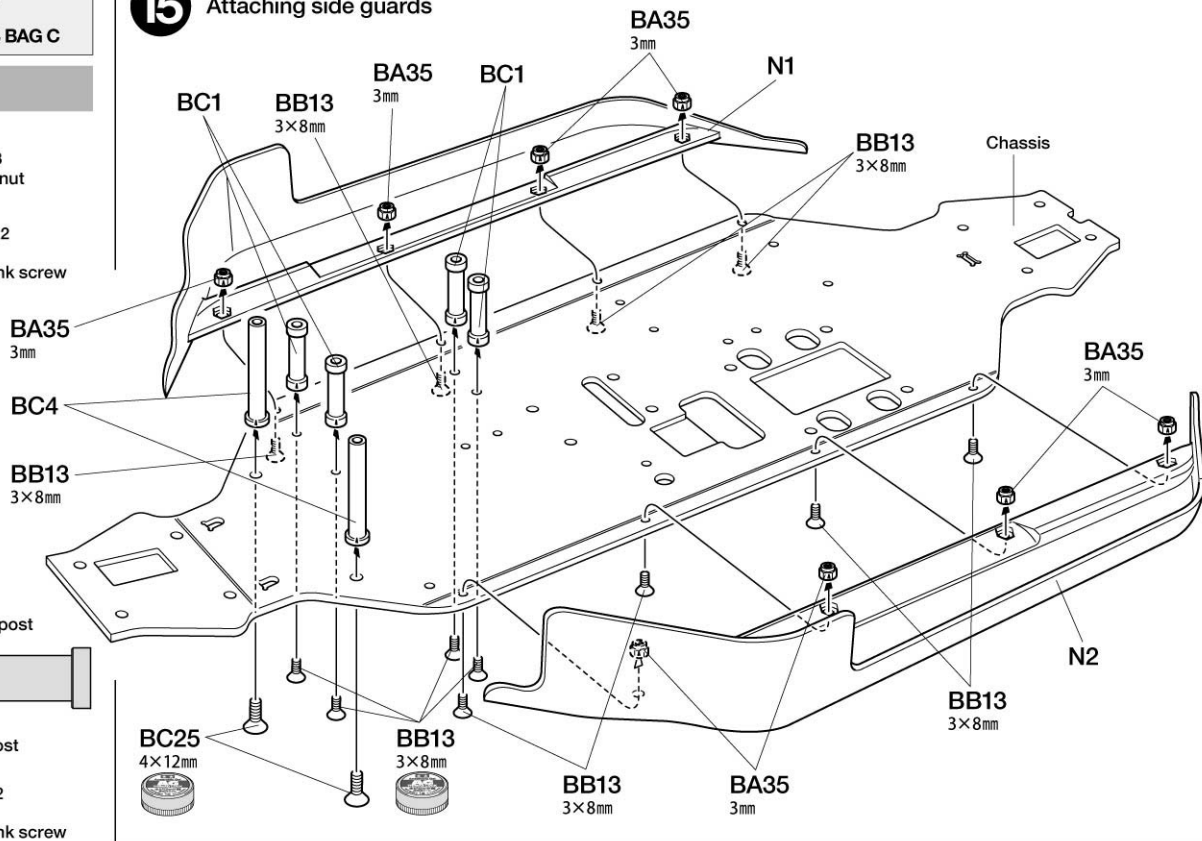
15~22

METAL PARTS BAG C

15

-  **BA35** ×8
3mm Lock nut
-  **BB13** ×12
3x8mm Countersunk screw
-  **BC1** ×4
Radio tray post
-  **BC4** ×2
Steering post
-  **BC25** ×2
4x12mm Countersunk screw

15 Attaching side guards



16

16 Attaching engine mount plate



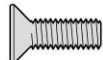
BC15 ×2
Engine mount plate



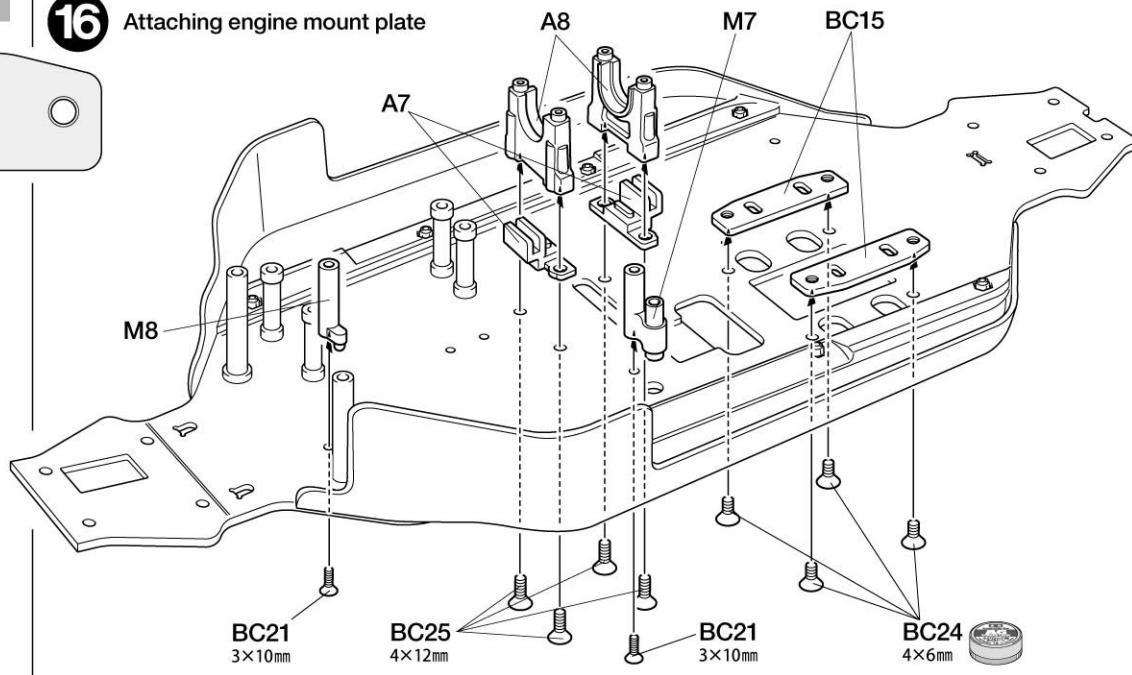
BC21 ×2
3x10mm
Countersunk screw



BC24 ×4
4x6mm
Countersunk screw



BC25 ×4
4x12mm
Countersunk screw



17

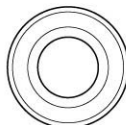
17 Center Differential gear



BA5 ×2
Diff. shaft



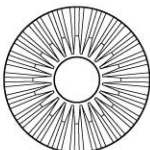
BA18 ×2
2.6x13.8mm Shaft



BA20 ×2
1680 Ball bearing



BA21 ×4
Diff. gear 10T



BA22 ×2
Diff. gear 20T



BA29 ×4
3x15mm
Countersunk screw



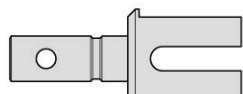
BA32 ×1
4x4mm Grub screw



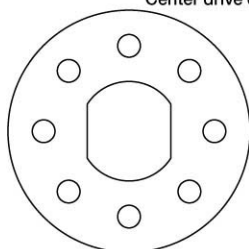
BA37 ×2
6mm O-ring



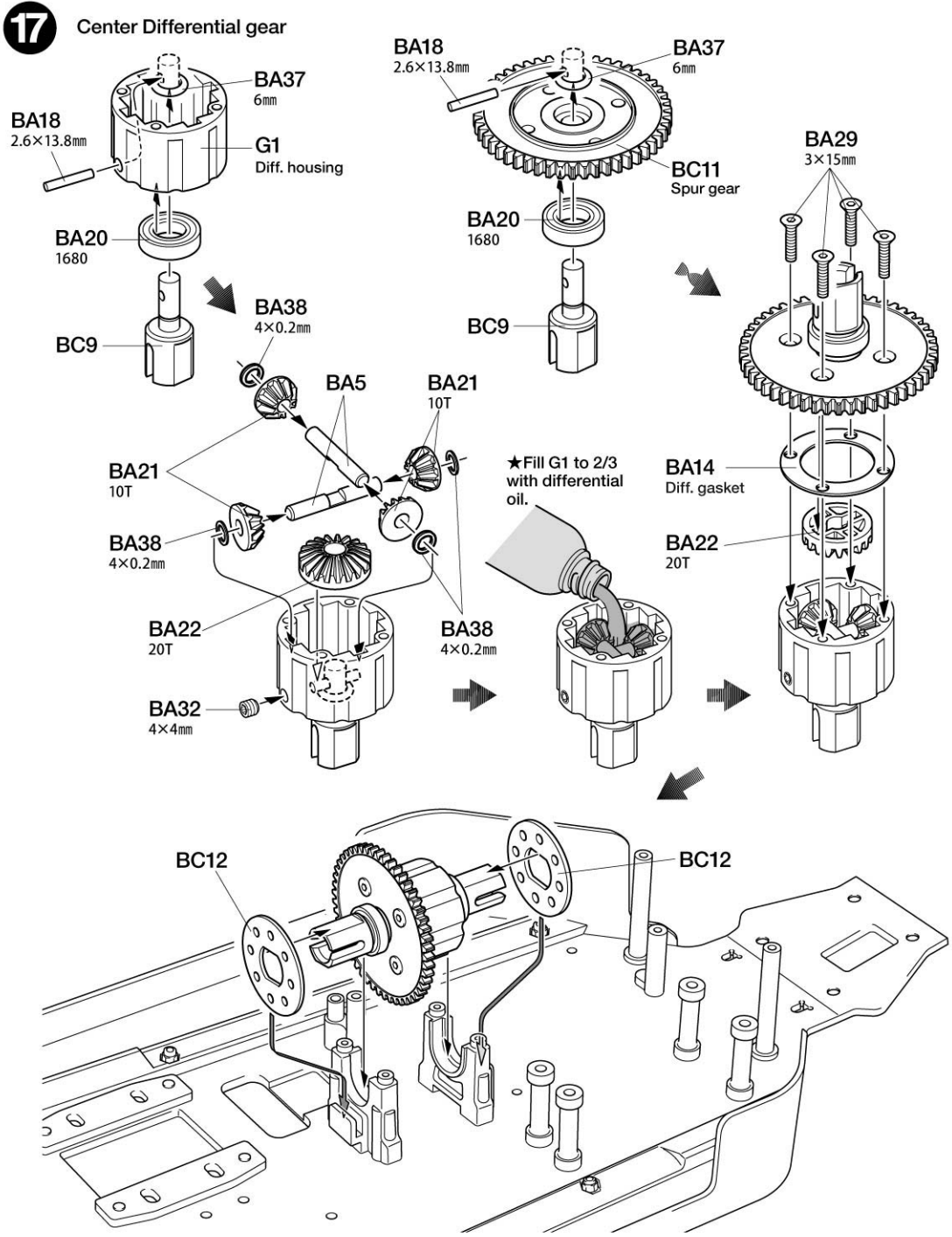
BA38 ×4
4x0.2mm Shim



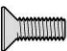

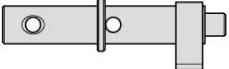





BC9 ×2
Center drive cup



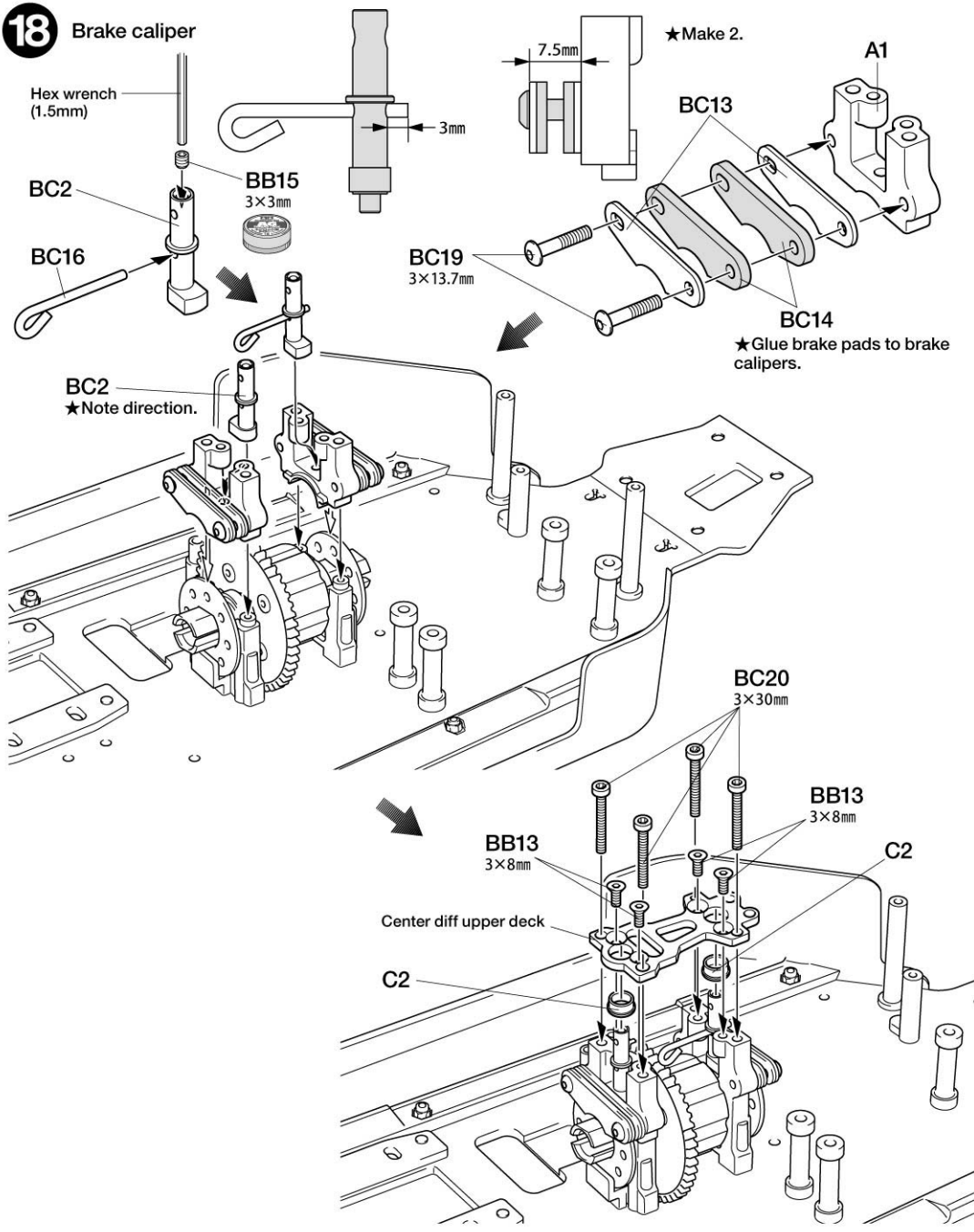
BC12 ×2
Brake rotor





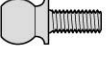
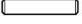

18

-  **BB13** ×4
3x8mm
Countersunk screw
-  **BB15** ×1
3x3mm Grub screw
-  **BC2** ×2
Brake cam
-  **BC19** ×4
3x13.7mm Brake screw
-  **BC20** ×4
3x30mm Cap screw
-  **BC13** ×4
Brake caliper (silver)
-  **BC14** ×4
Brake pad (gray)
-  **BC16** ×1
Brake arm

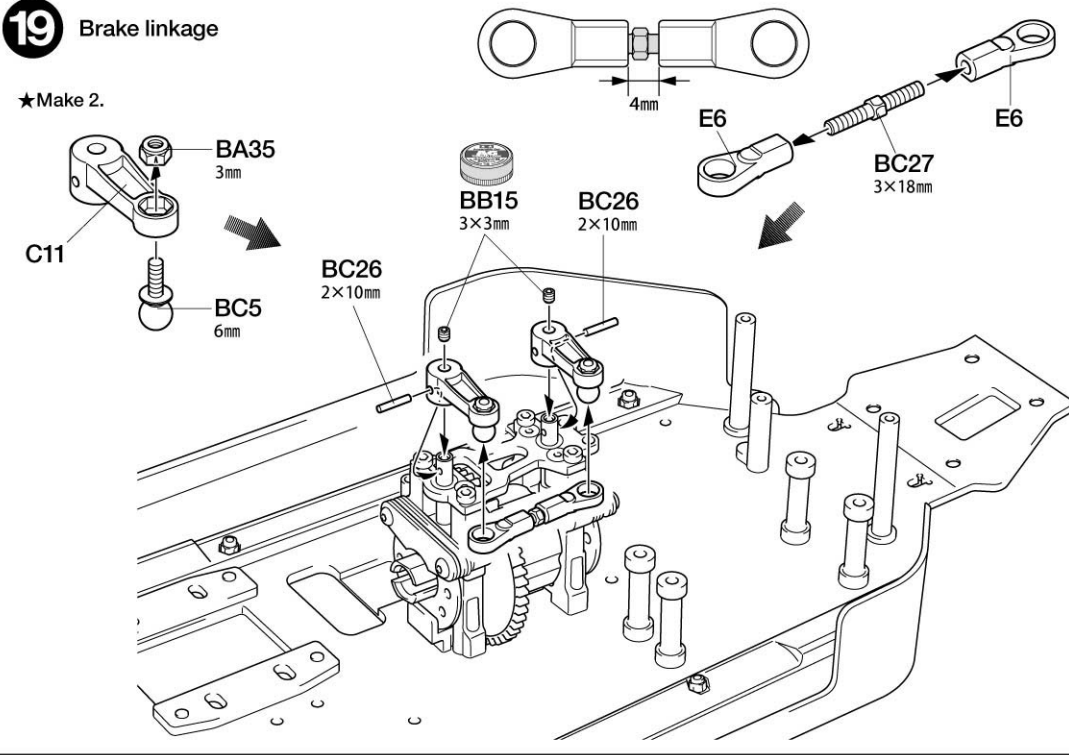
18 Brake caliper



19

-  **BA35** ×2
3mm Lock nut
-  **BB15** ×2
3x3mm Grub screw
-  **BC5** ×2
6mm Ball connector
-  **BC26** ×2
2x10mm Shaft
-  **BC27** ×1
3x18mm
Turn-buckle shaft

19 Brake linkage



20



BA24 ×1
3x25mm Cap screw



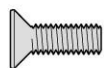
BA35 ×3
3mm Lock nut



BC22 ×1
3x12mm
Countersunk screw

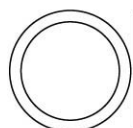


BC23 ×1
3x18mm
Countersunk screw



BC25 ×8
4x12mm
Countersunk screw

21



BA19 ×2
13x0.2mm Shim



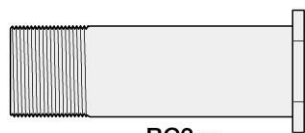
BA35 ×1
3mm Lock nut



BB4 ×2
7mm Ball end



BB11 ×4
3x8mm
Button head screw



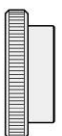
BC3 ×1
Servosaver tube



BC5 ×1
6mm Ball connector



BC8 ×2
Steering bushing



BC10 ×1
Servosaver adjuster

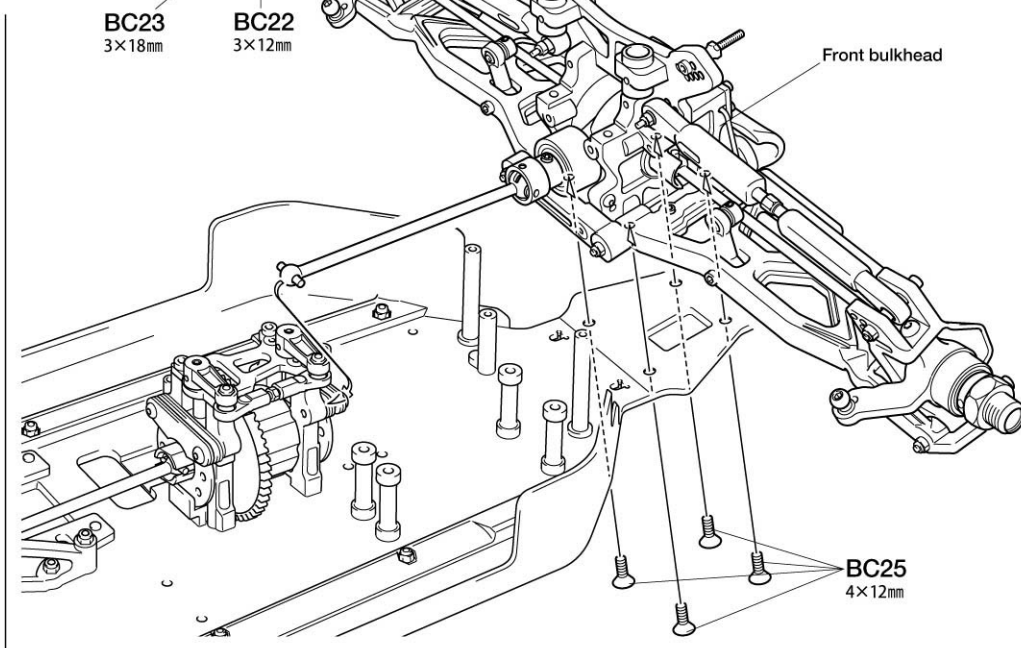
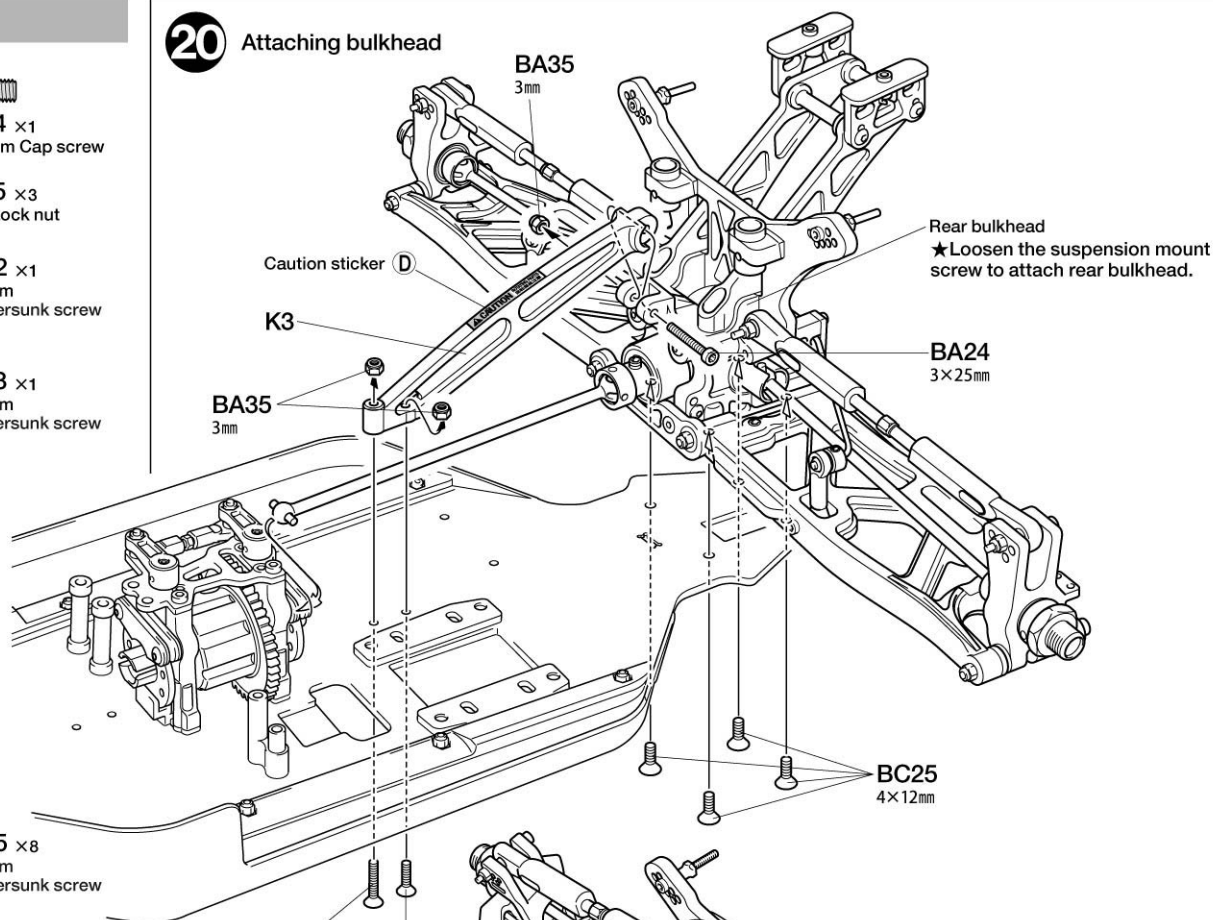


BC17 ×1
Servosaver spring

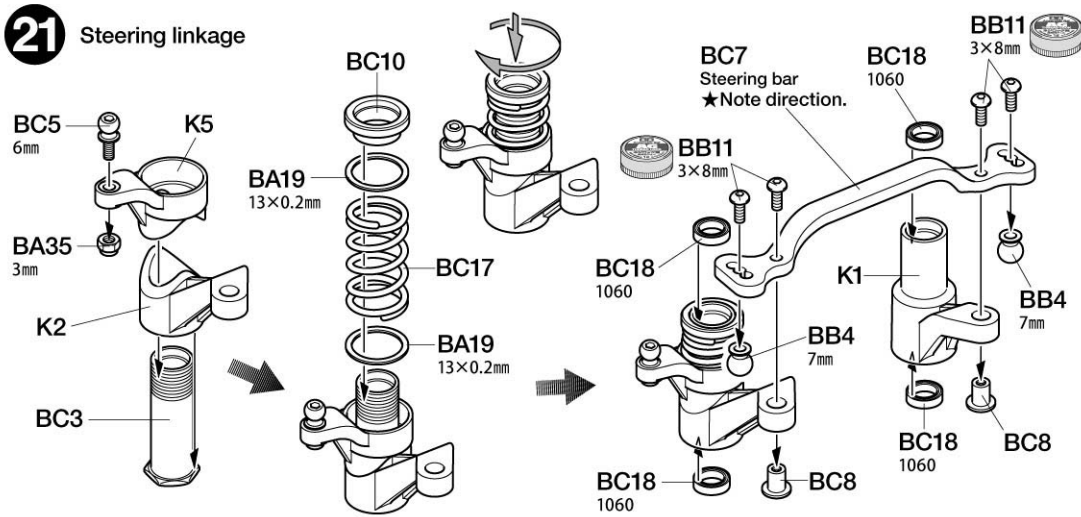


BC18 ×4
1060 Ball bearing


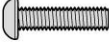



20 Attaching bulkhead



21 Steering linkage


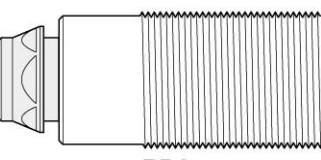
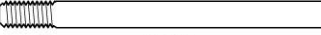







22

-  **BA25** ×4
3×10mm
Button head screw
-  **BA26** ×1
3×12mm
Button head screw
-  **BA35** ×3
3mm Lock nut
-  **BC22** ×1
3×12mm
Countersunk screw
-  **BC23** ×1
3×18mm
Countersunk screw

D **23~27**
METAL PARTS BAG A

23

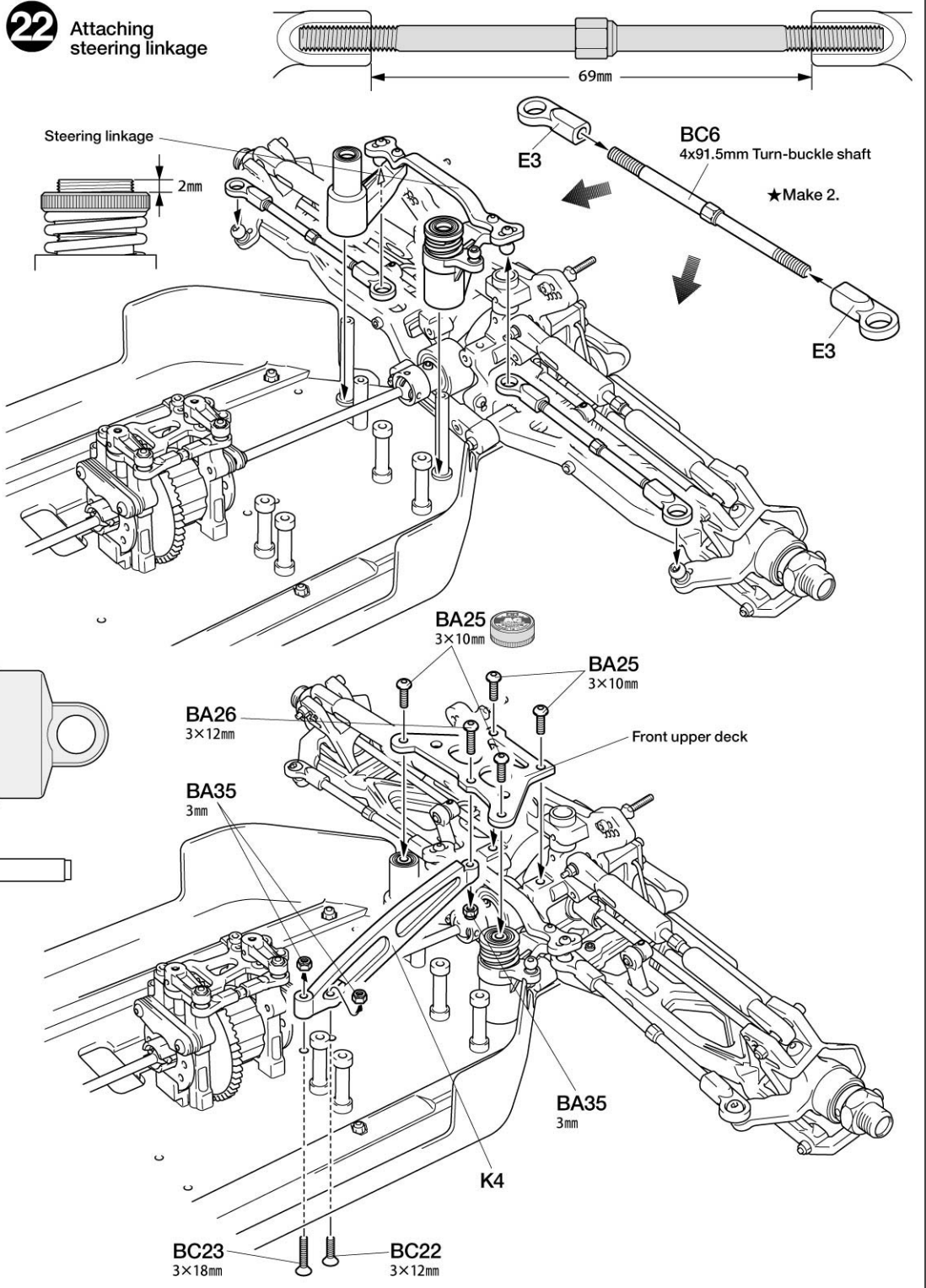
-  **BB16** ×2
6mm Ball collar
-  **BD2** ×2
Rear damper cylinder
-  **BD4** ×2
Rear piston rod
-  **BD5** ×2
Spring retainer
-  **BD6** ×2
18mm O-ring (thin)
-  **BD9** ×4
3.5mm Silicone O-ring
-  **BD12** ×2
2×6mm Cap screw
-  **BD13** ×2
2mm Spring washer

OPTIONS

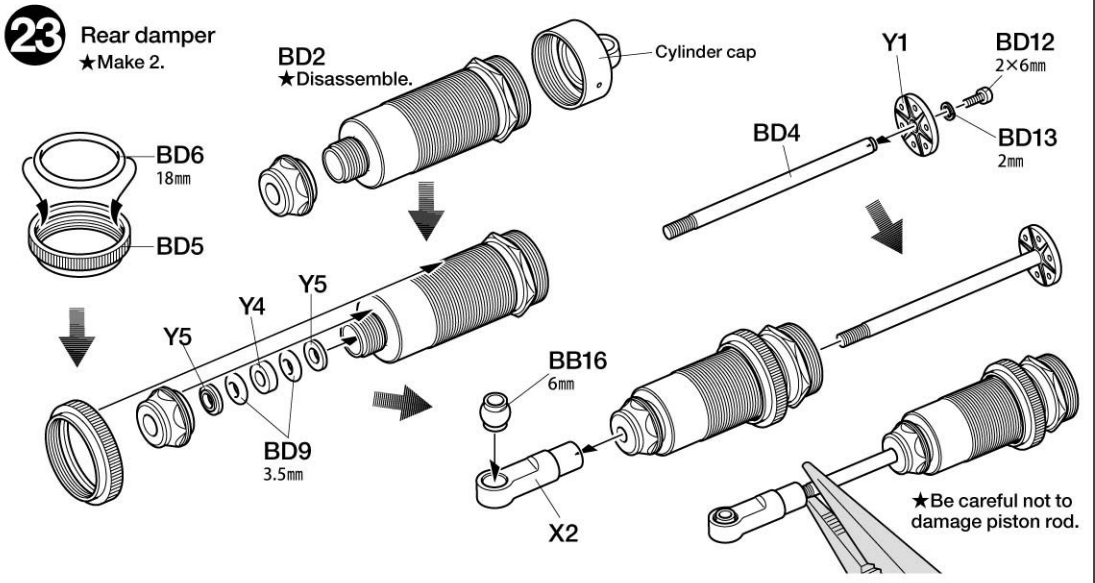
★Kit-standard damper oil (#400).

SOFT SET (53443)	RED	# 200
	ORANGE	# 300
	YELLOW	# 400
MEDIUM SET (53444)	GREEN	# 500
	BLUE	# 600
	PURPLE	# 700
HARD SET (53445)	PINK	# 800
	CLEAR	# 900
	LIGHT BLUE	# 1000

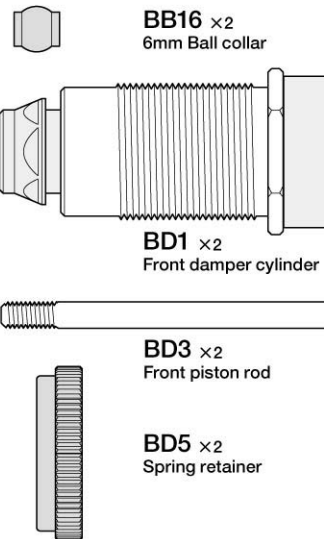
22 Attaching steering linkage



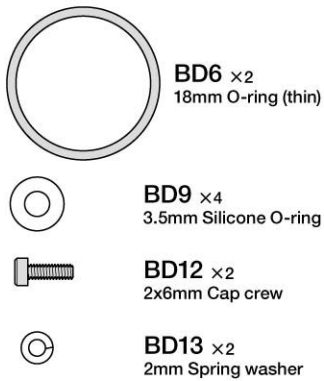
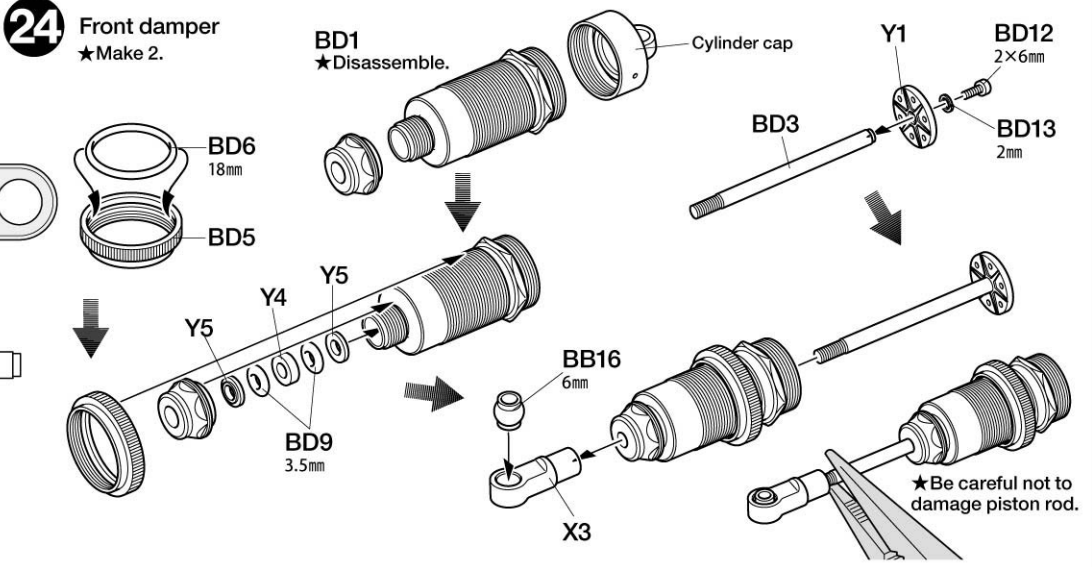
23 Rear damper
★Make 2.



24

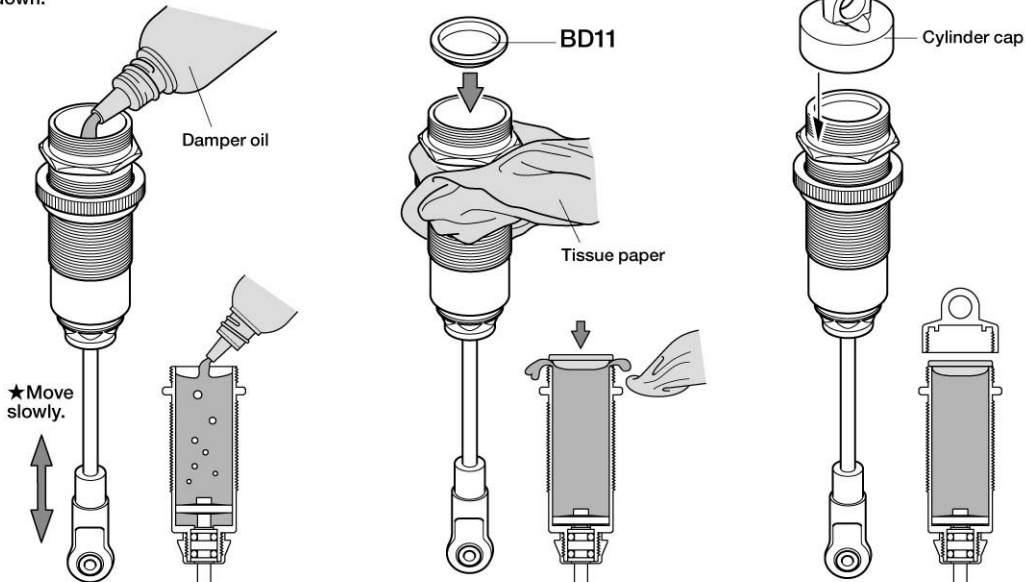


24 Front damper
★Make 2.



25 Damper oil ★Make 2 of each front/rear damper.

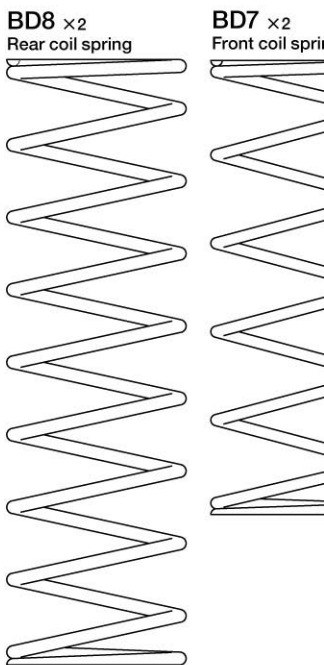
1. Pull down piston and pour oil into cylinder. Remove air bubbles by slowly moving piston up and down.
2. Pull down piston, attach oil seal and absorb oil overflow with tissue paper.
3. Tighten cylinder cap.



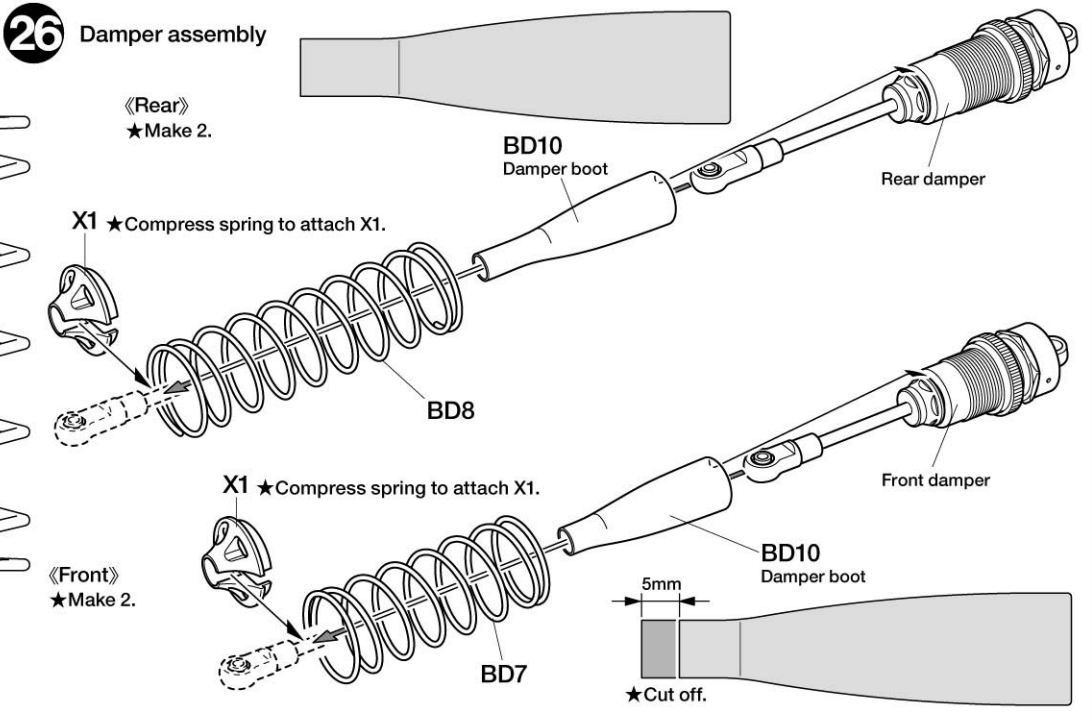
25



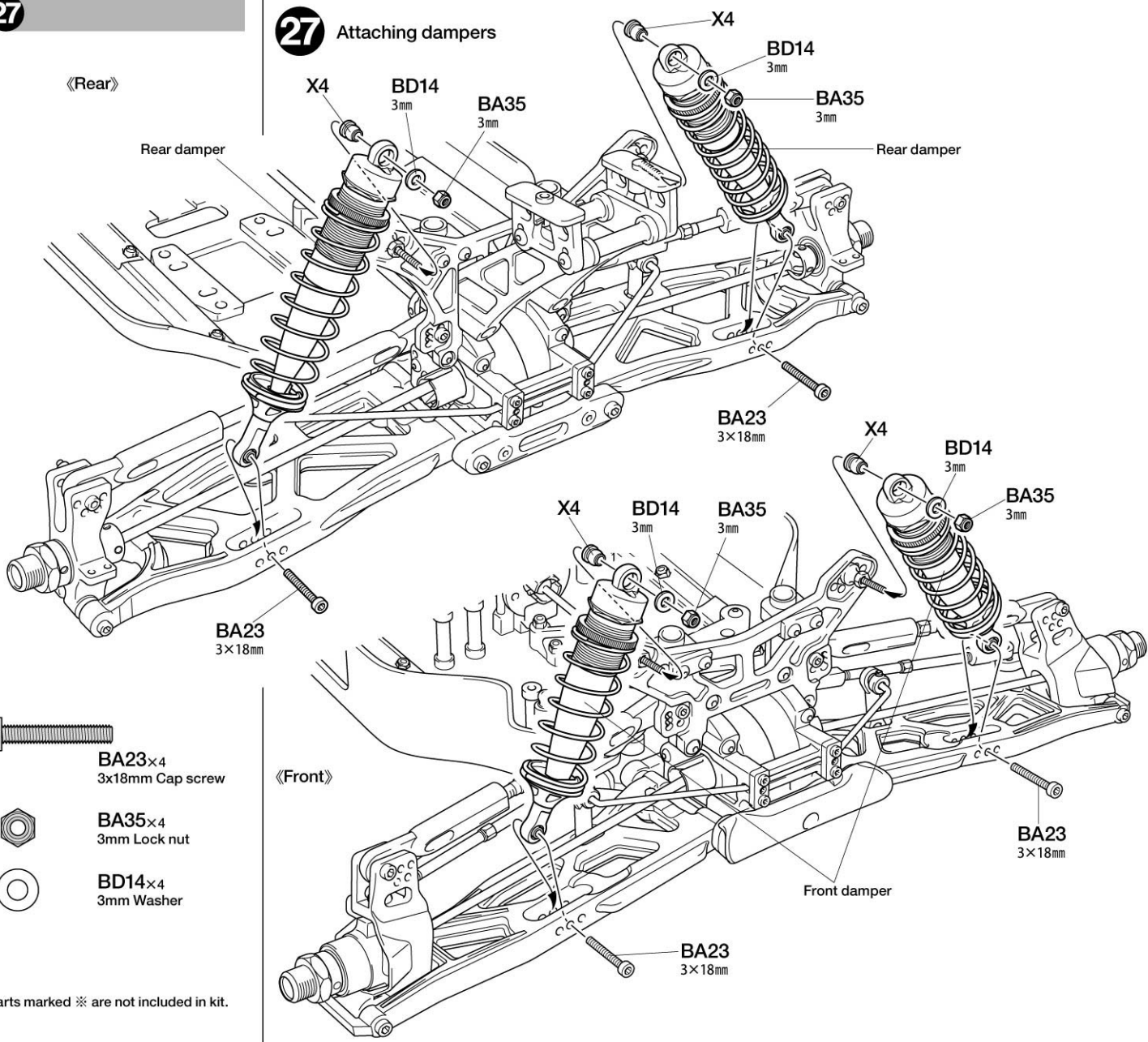
26



26 Damper assembly
★Make 2.



27 Attaching dampers



BA23×4
3x18mm Cap screw



BA35×4
3mm Lock nut



BD14×4
3mm Washer

Parts marked ※ are not included in kit.

E

28~33

METAL PARTS BAG E

28

28 Attaching servo



BA25 ×10
3x10mm
Button head screw



BB11 ×4
3x8mm
Button head screw

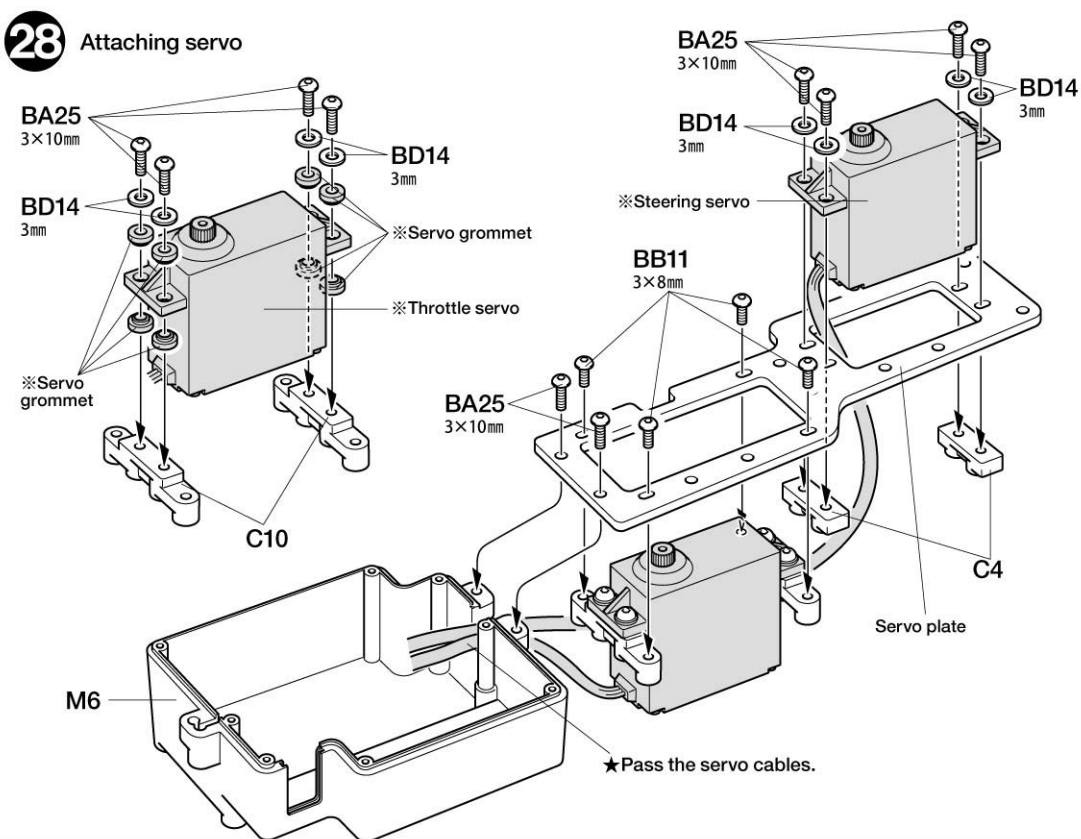
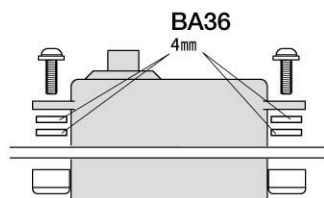


BD14 ×8
3mm Washer




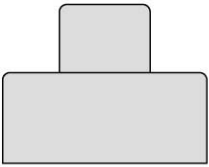





BA36 ×12
4mm Washer

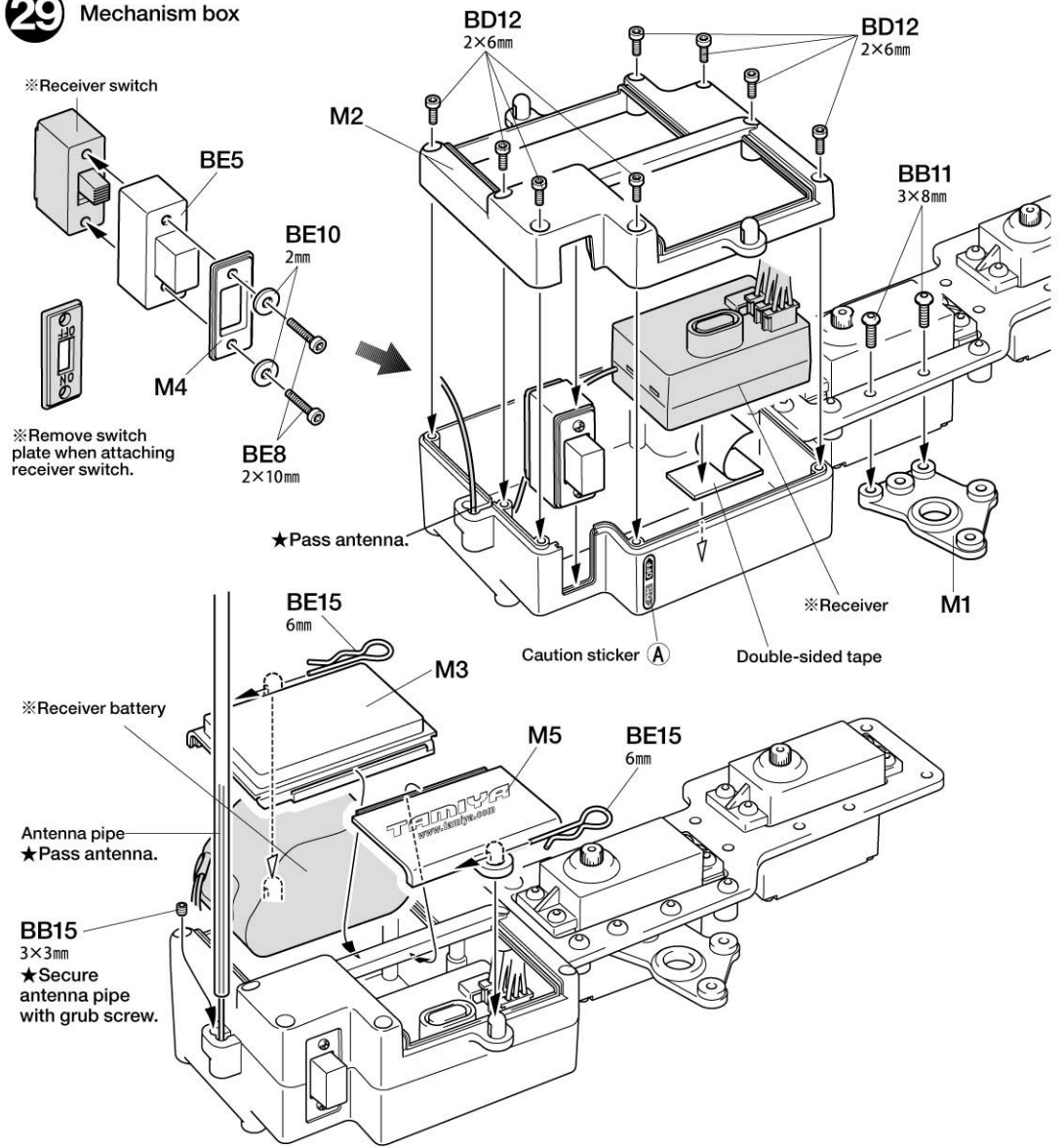
★Adjust the steering servo position with 4mm washers if it comes into contact with the chassis.





29

-  **BB11** ×2
3x8mm
Button head screw
-  **BB15** ×1
3x3mm Grub screw
-  **BD12** ×8
2x6mm Cap screw
-  **BE5** ×1
Switch cover
-  **BE8** ×2
2x10mm Cap screw
-  **BE10** ×2
2mm Washer
-  **BE15** ×2
6mm Snap pin

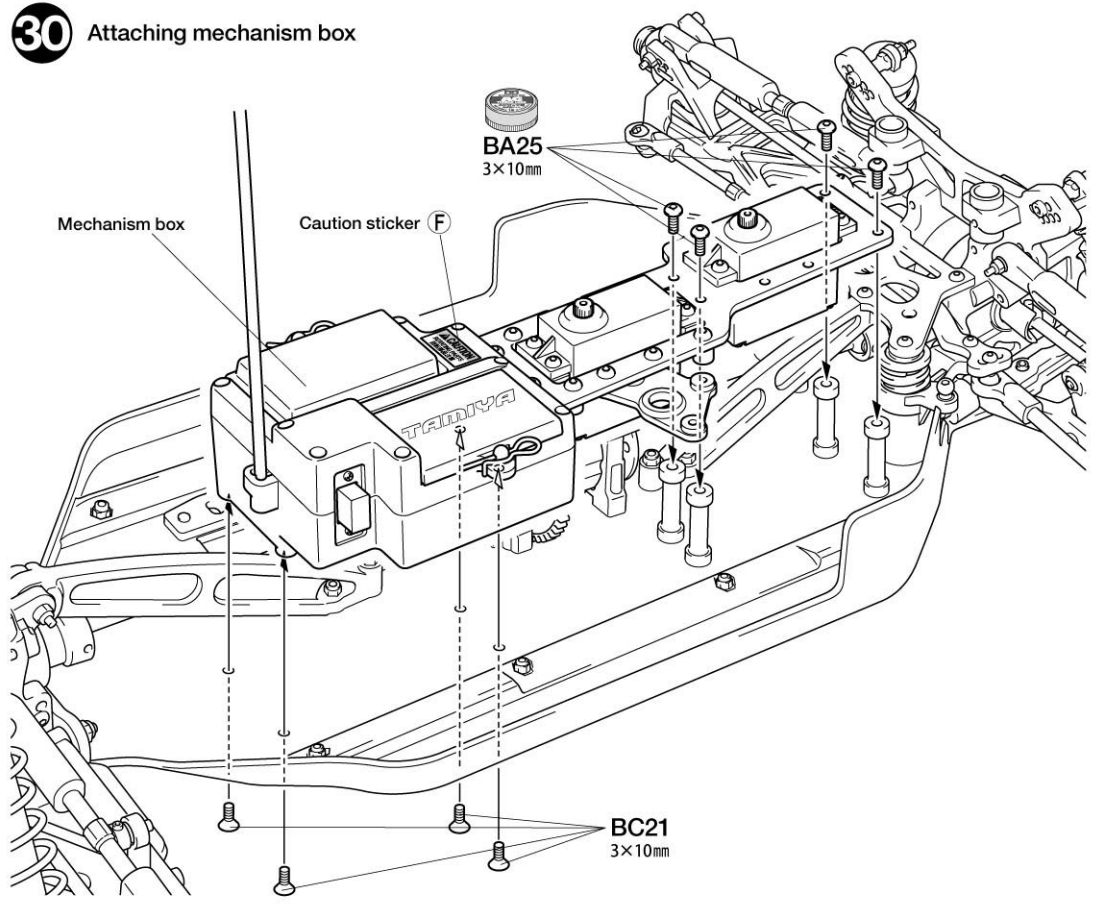
29 Mechanism box



30

-  **BA25** ×4
3x10mm
Button head screw
-  **BC21** ×4
3x10mm
Countersunk screw

30 Attaching mechanism box



TAMIYA CRAFT TOOLS
CURVED SCISSORS



ITEM 74005

PRECISION CALIPER

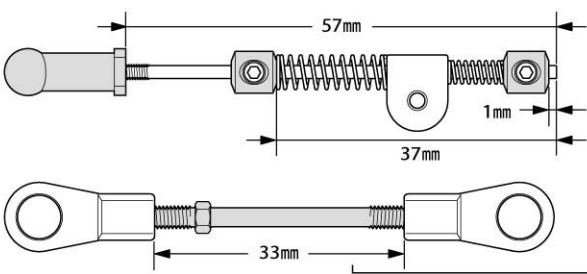


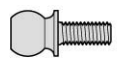


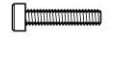
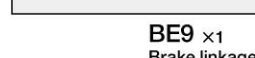




ITEM 74030

31

-  BA35 x1
3mm Lock nut
-  BB15 x2
3x3mm Grub screw

-  BE3 x1
2x64mm Adjuster rod
-  BE4 x1
2x80mm Adjuster rod



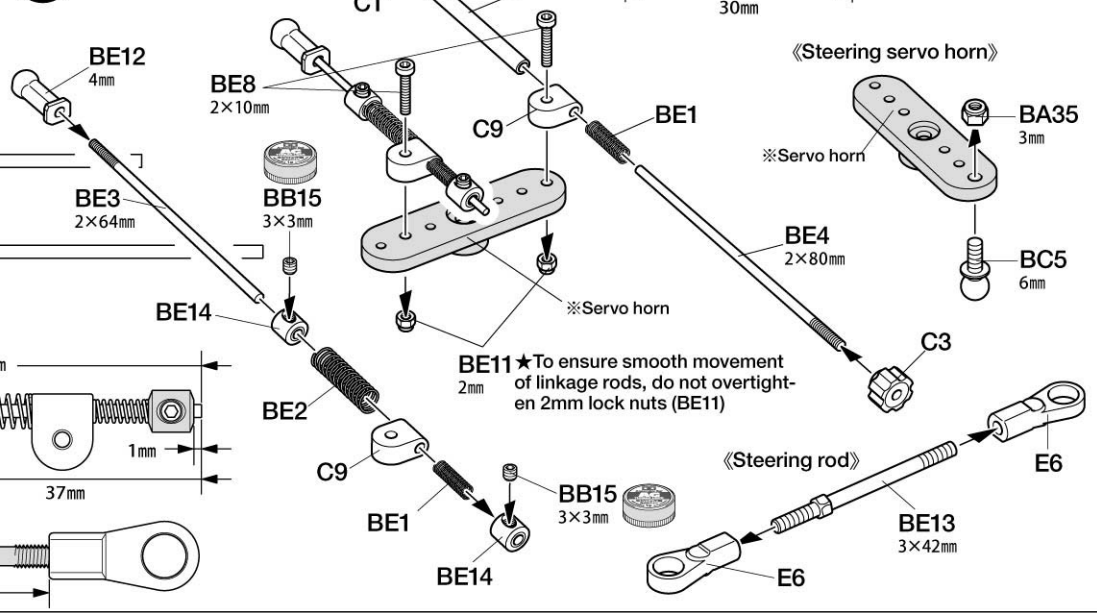
-  BC5 x1
6mm Ball connector
-  BE1 x2
Spring (short)
-  BE2 x1
Spring (long)
-  BE8 x2
2x10mm Cap screw
-  BE9 x1
Brake linkage pipe
-  BE11 x2
2mm Lock nut
-  BE12 x1
4mm Adjuster
-  BE14 x2
Rod stopper
-  BE13 x1
3x42mm Turn-buckle shaft

32

-  BB15 x1
3x3mm Set screw
-  BE14 x1
Rod stopper

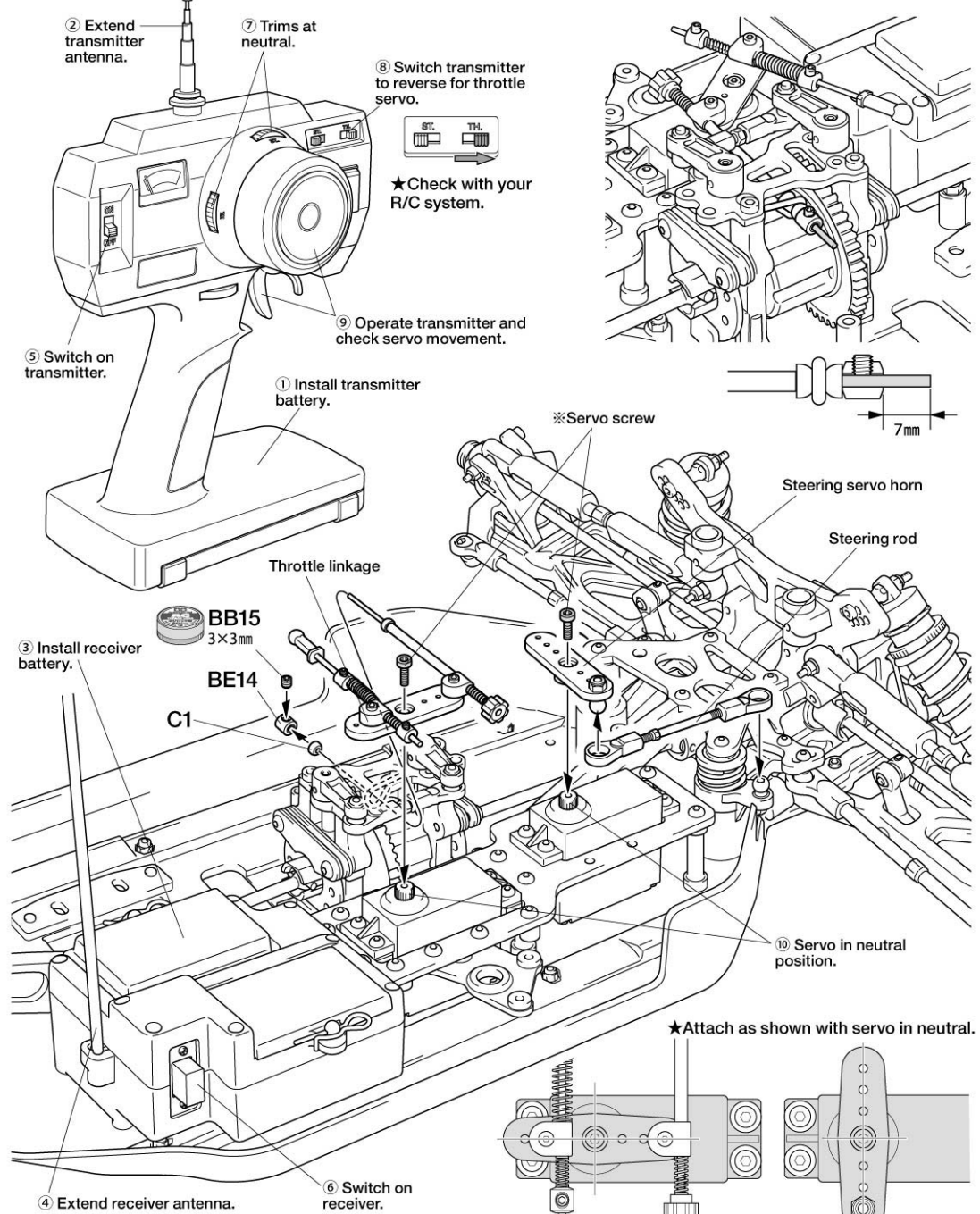


31 Throttle linkage

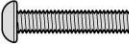
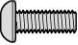
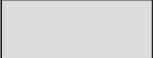




32 Attaching throttle linkage

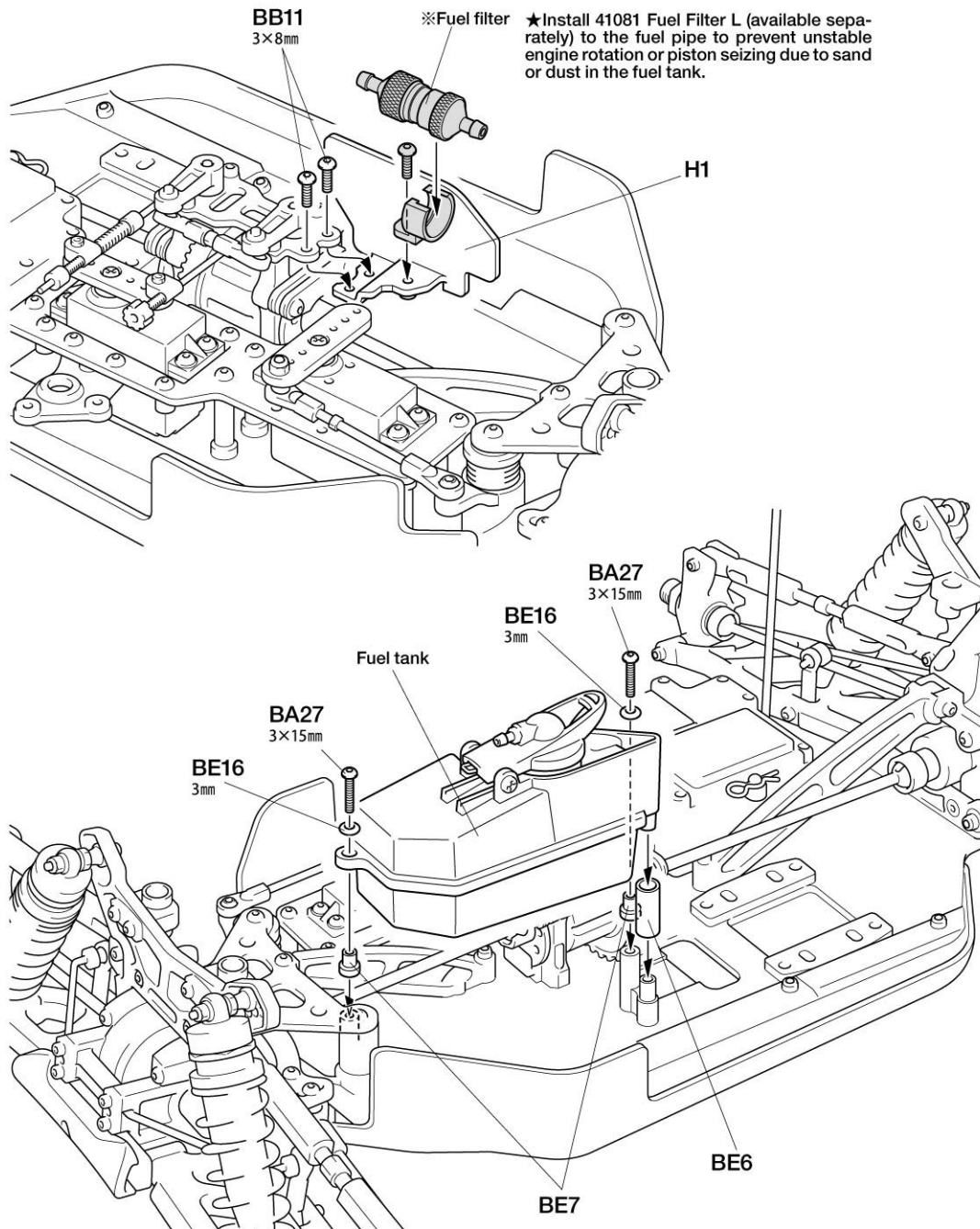
RADIO CHECK USING R/C UNIT
★ Make sure the servo is in neutral prior to assembly.



33

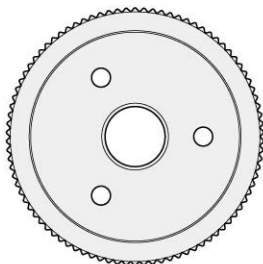
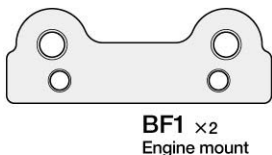
-  **BA27** ×2
3×15mm
Button head screw
-  **BB11** ×2
3×8mm
Button head screw
-  **BE6** ×1
Overflow tube
-  **BE7** ×2
Tank bushing rubber
-  **BE16** ×2
3mm O-ring

33 Attaching fuel tank

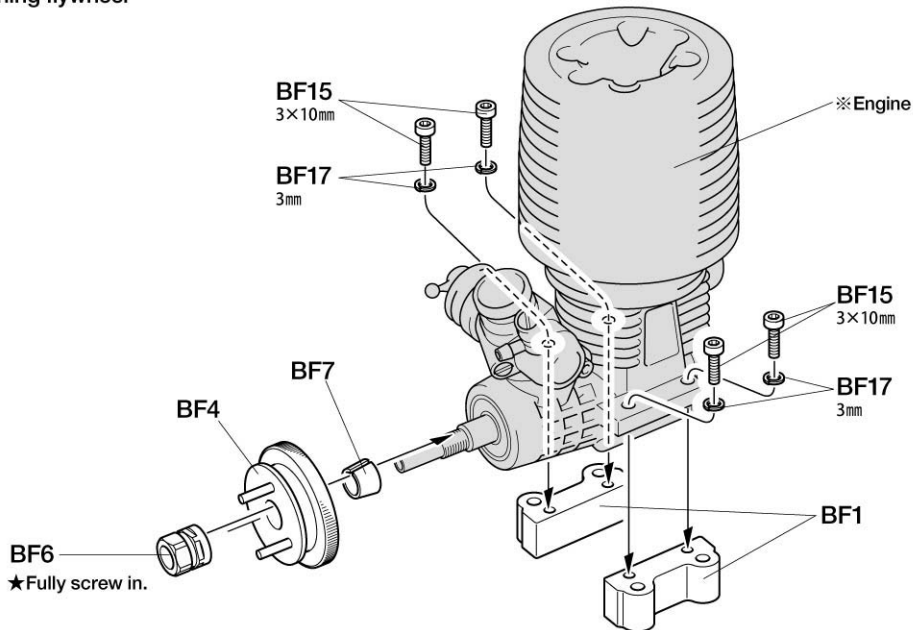


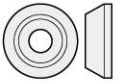
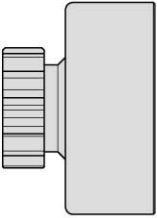
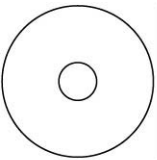
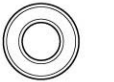
F 34~39 METAL PARTS BAG F

34

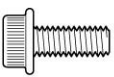


34 Attaching flywheel

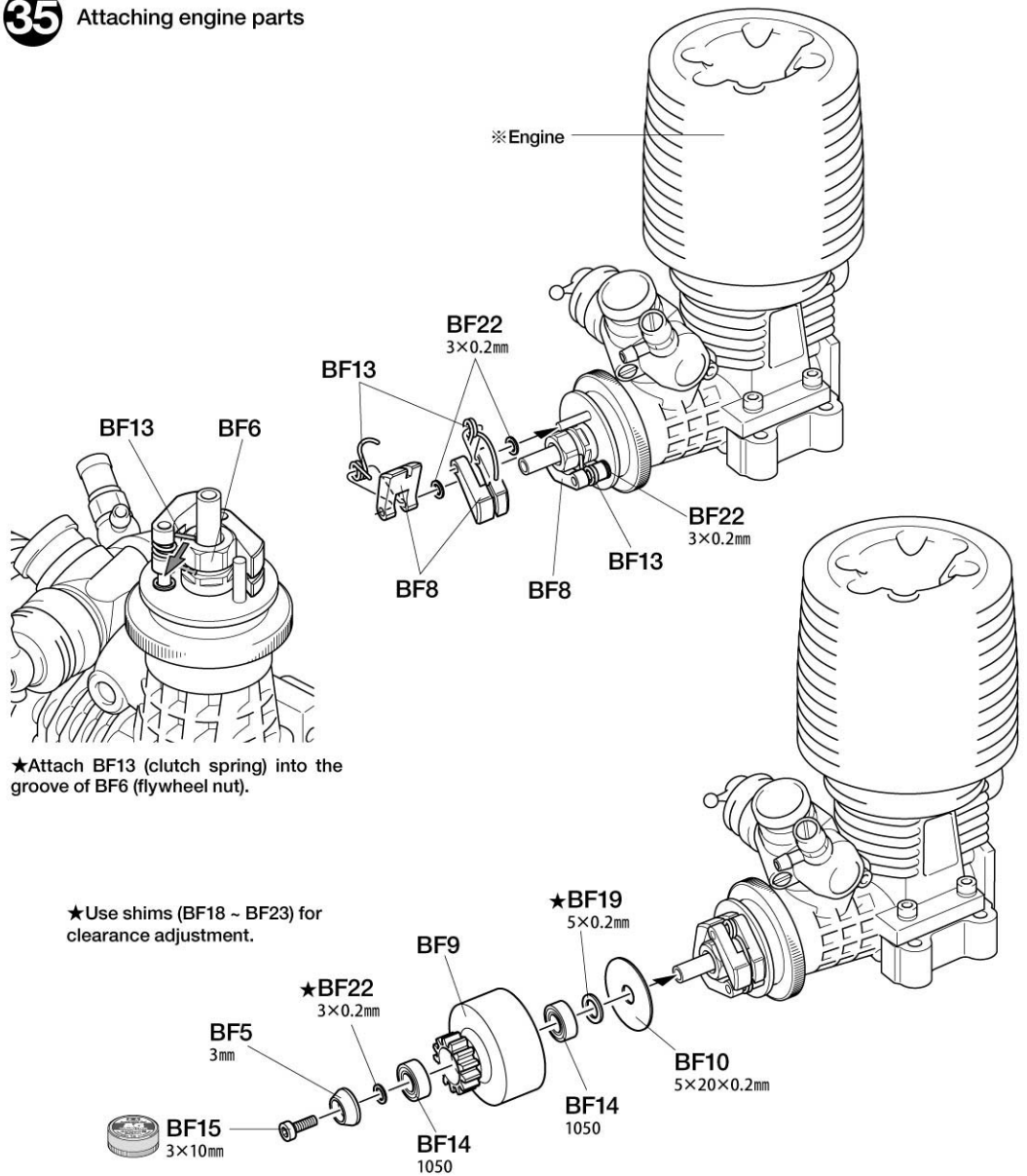
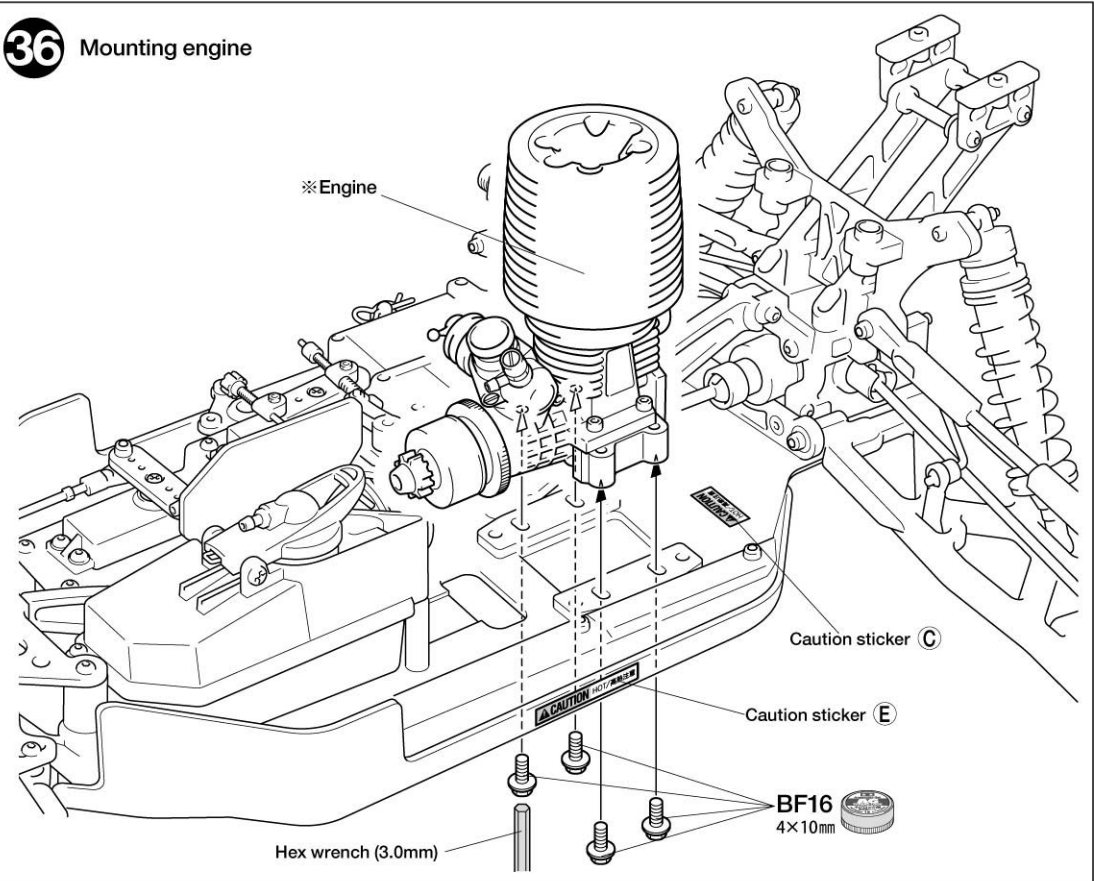


35**BF5** ×1
3mm Taper washer**BF9** ×1
Clutch bell**BF8** ×3
Clutch shoe**BF10** ×1
5x20x0.2mm Shim**BF13** ×3
Clutch spring**BF14** ×2
1050 Ball bearing**BF15** ×1
3x10mm Cap screw**BF22** ×3
3x0.2mm Shim

★Adjustment shims

**BF18** ×1
5x0.1mm Shim**BF19** ×1
5x0.2mm Shim**BF20** ×1
5x0.3mm Shim**BF21** ×1
3x0.1mm Shim**BF22** ×1
3x0.2mm Shim**BF23** ×1
3x0.3mm Shim**36****BF16** ×4
4x10mm Flange cap screw

★Loosen BF16 to properly position pinion gear. Allow clearance for gears to run smoothly.

35 Attaching engine parts**36** Mounting engine

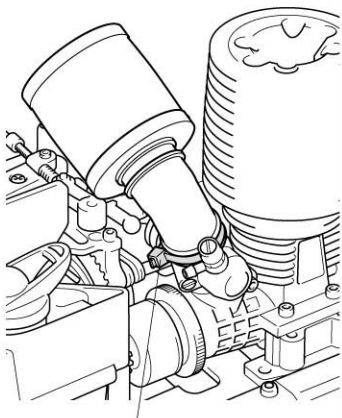
37

BB13 ×4
3x8mm
Countersunk screw

BB15 ×1
3x3mm Set screw

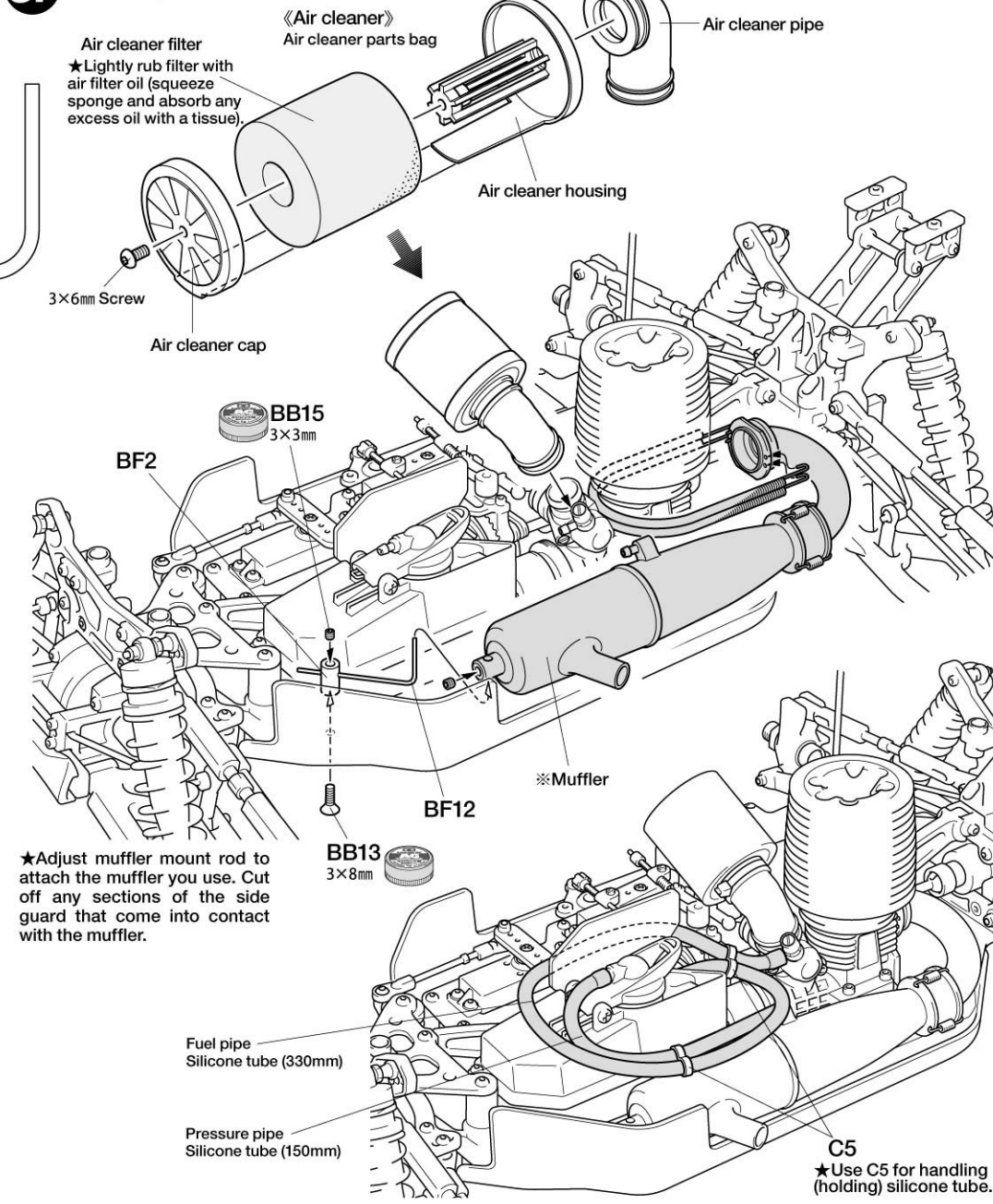
BF2 ×1
Muffler mount

BF12 ×1
Muffler mount rod



★Secure air cleaner pipe to engine with nylon band.

37 Attaching muffler



★Adjust muffler mount rod to attach the muffler you use. Cut off any sections of the side guard that come into contact with the muffler.

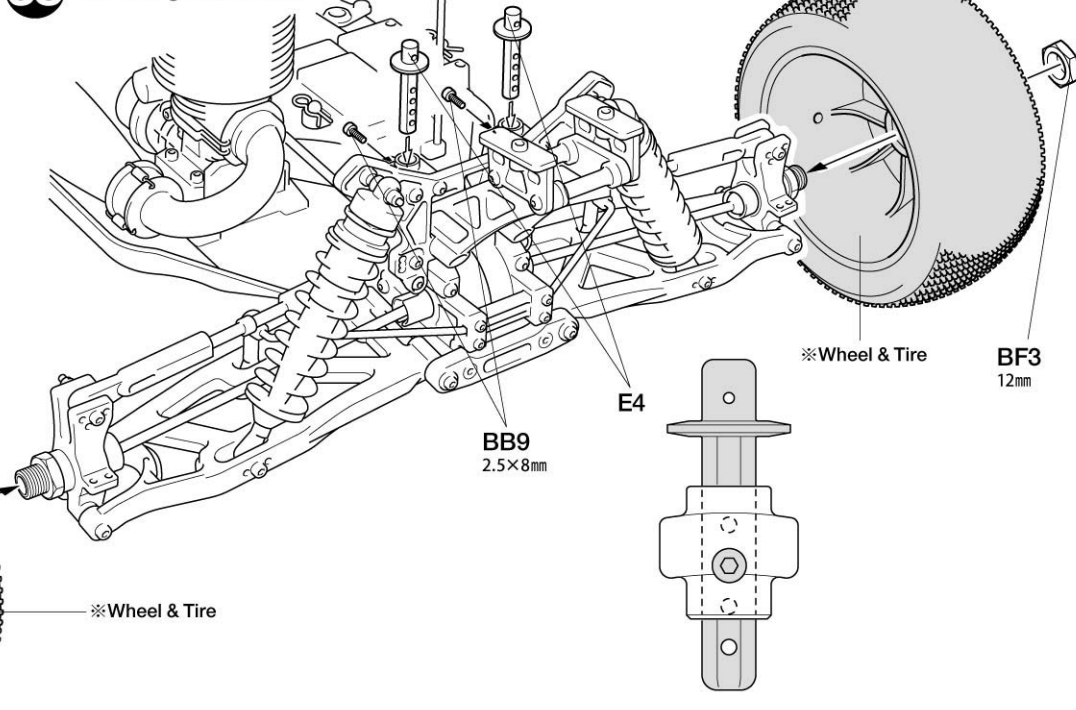
38

BB9 ×2
2.5x8mm Cap screw

BF3 ×2
12mm Wheel nut

BF3
12mm

38 Attaching rear wheels



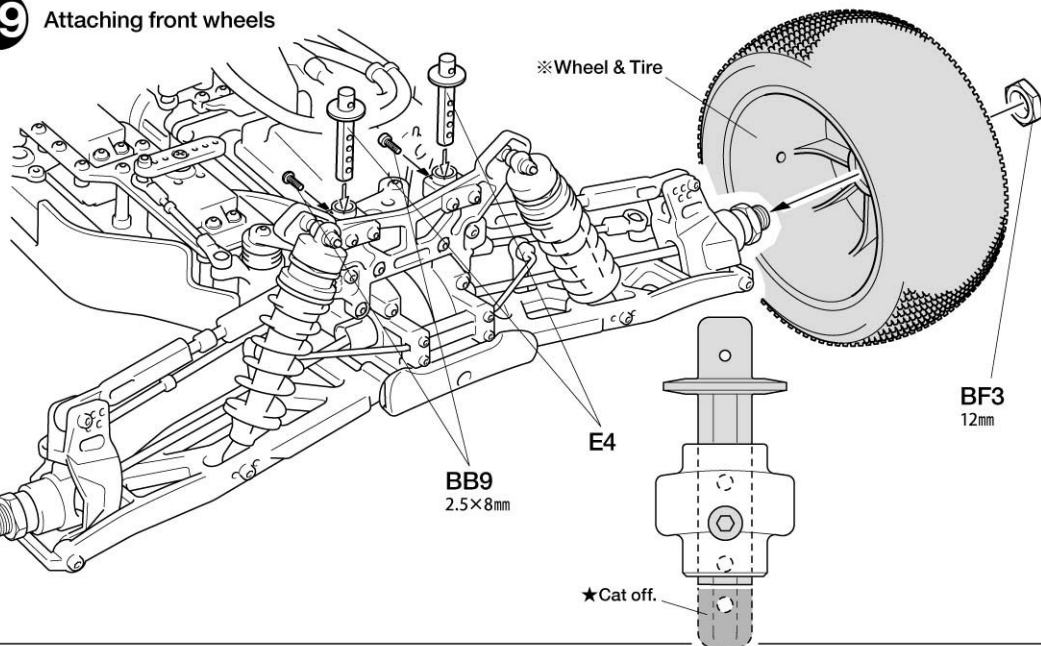
39

BB9 ×2
2.5x8mm Cap screw

BF3 ×2
12mm Wheel nut

BF3
12mm

※Wheel & Tire

39 Attaching front wheels**40** Attaching wing

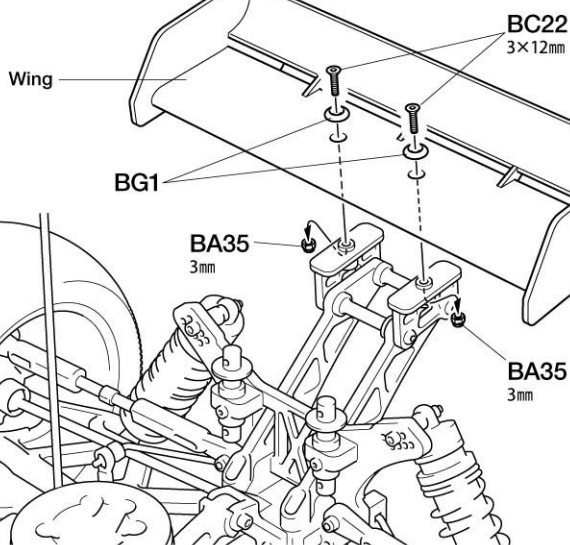
G **40~43**
METAL PARTS BAG A

40

BA35 ×2
3mm Lock nut

BC22 ×2
3x12mm Counter sunkscrew

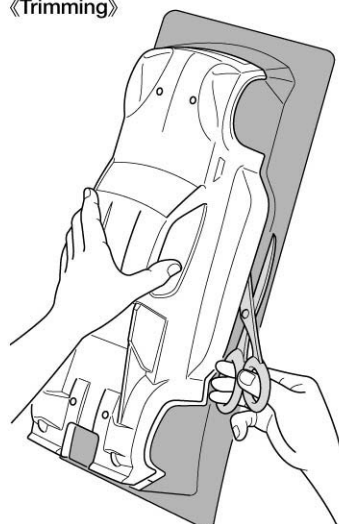
BG1 ×2
Wing washer

**41** Trimming body

★Make 6.5mm hole.

41

《Trimming》



★Cut off using scissors or a modeling knife.

★Make 6.5mm holes.

Body

★Cut away.

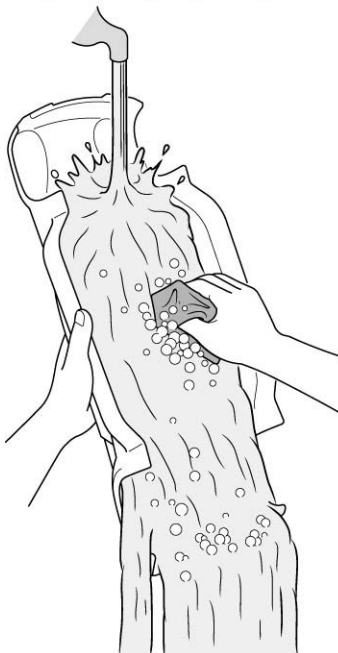
★Make 6.5mm holes.

★Cut away.

★Cut away.

42

«Preparing body for painting»



★Wash the body thoroughly with detergent in order to remove any oil, then rinse well and allow to air dry.

PAINTING

Paint body from inside using polycarbonate paints.

«Stickers»

- ① Cut out each sticker from sticker sheet in numbered order allowing a slight border. Peel off surrounding border.
- ② Peel away the lining slightly and place the sticker in position on the body.
- ③ Remove the lining slowly. Be careful not to move the sticker out of position and not to leave air bubbles under the sticker.

TAMIYA COLOR CATALOGUE
The latest in cars, boats, tanks and ships. Motorized and museum quality models are all shown in full color in Tamiya's latest catalogue. English / Spanish, German / French and Japanese versions available.

TAMIYA COLOR
Polycarbonate paints

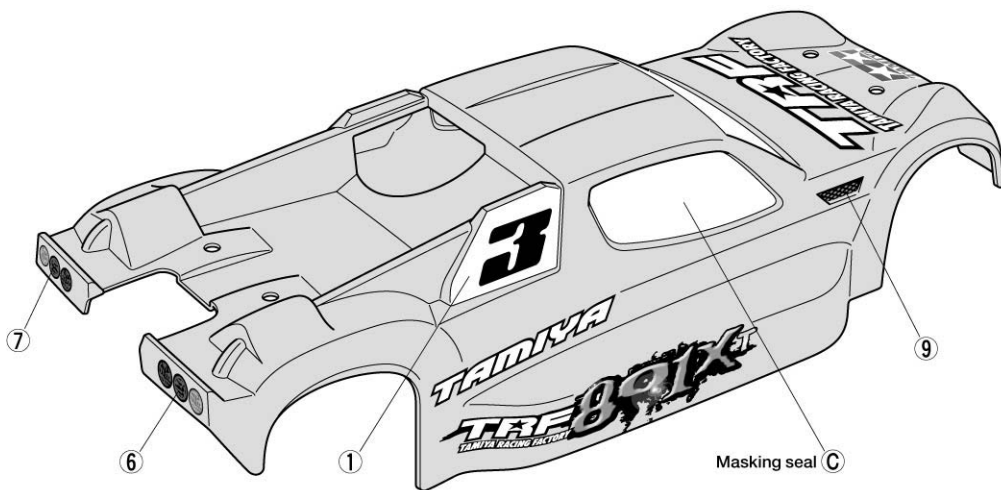
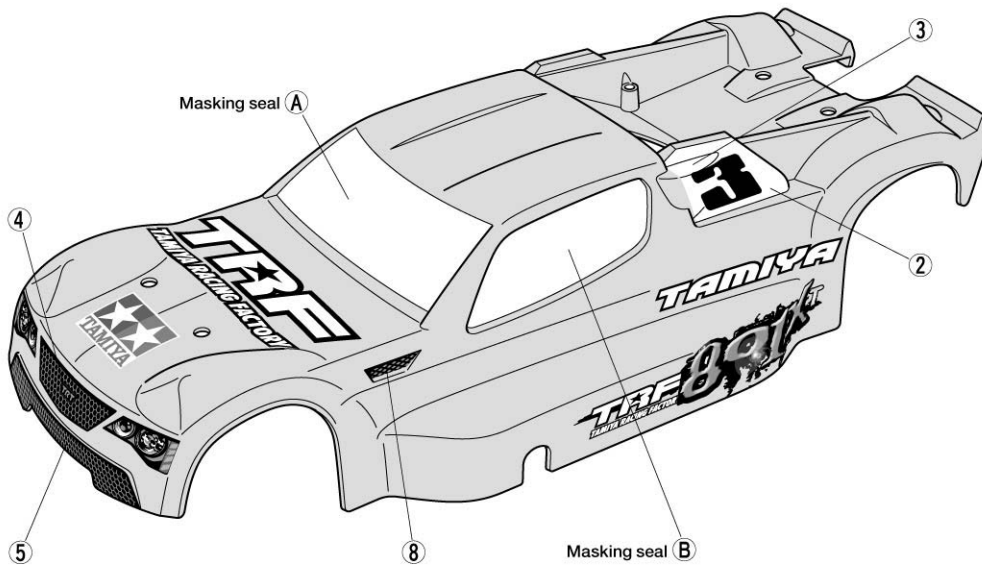


42

Painting and markings

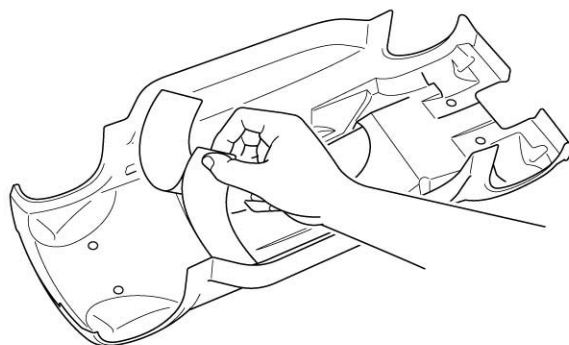
★After paint has cured, remove protective coating prior to adding stickers.

Paint body and attach stickers as you like.

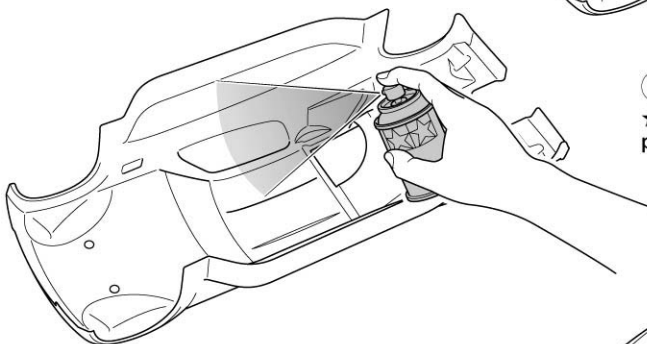


«How to paint»

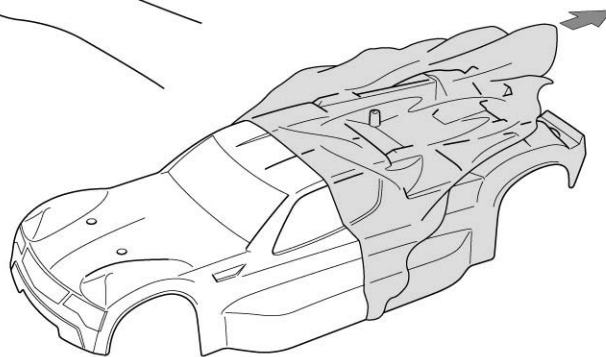
- ① ★Mask off window areas using masking stickers.



- ② ★Paint from inside using polycarbonate paints.



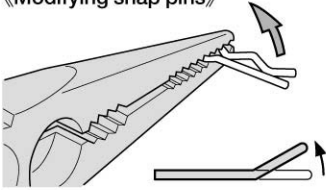
- ③ ★After paint has cured, remove protective coating prior to adding stickers.



43

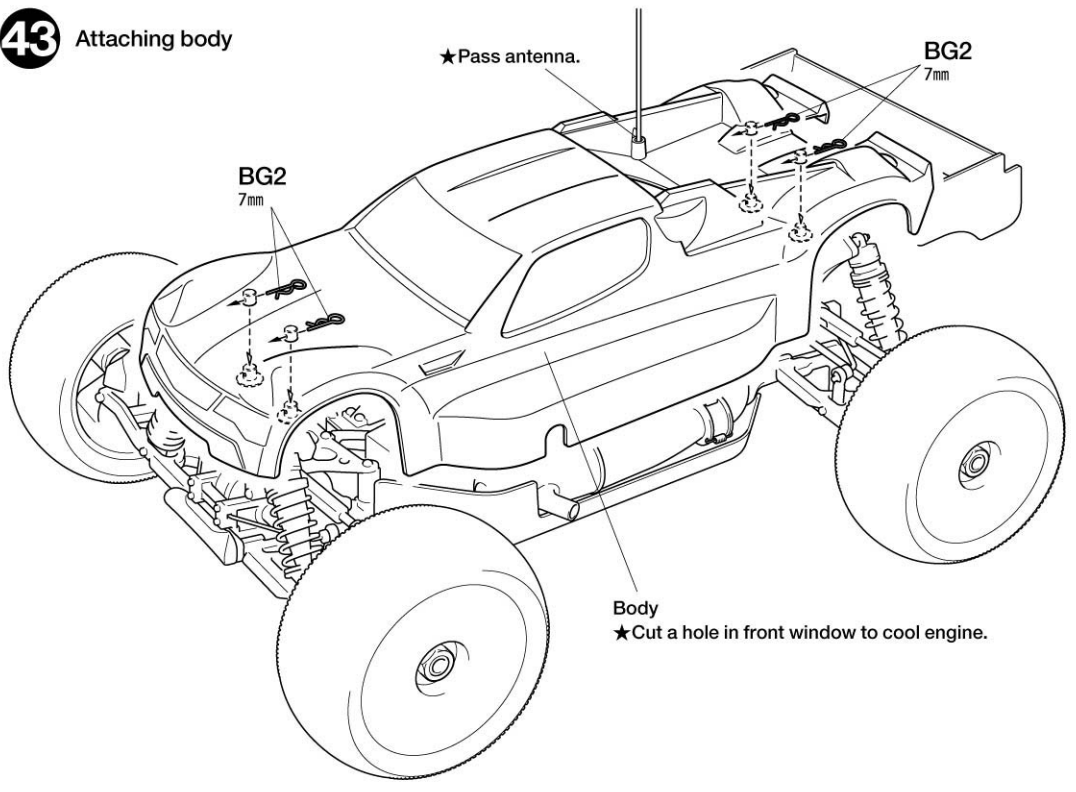


《Modifying snap pins》



★To make attaching / detaching easier, bend snap pin as shown. (4pcs)

43 Attaching body



www.tamiyausa.com

Setting-up

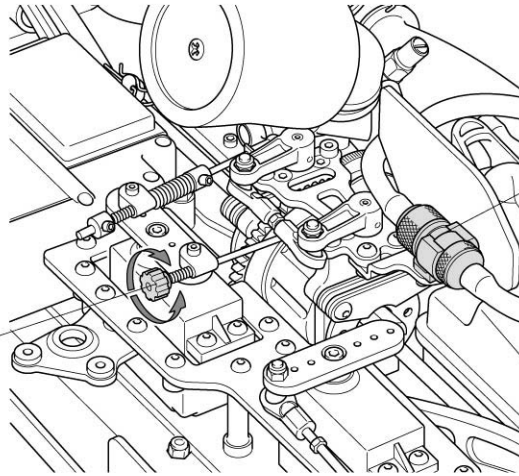
★To greatly enhance the overall performance of your car, it is necessary to tune the vehicle to the track (and its surface conditions) on which you will be racing. Make adjustments referring to the instruction manual, keeping in mind that “balance” is the key word.

●BRAKE ADJUSTMENTS

Brake may require adjustment after running. If adjustment is ineffective or brake parts are worn out, replace brake pads and brake rotors.

★Tightening C3 will quicken the brake response and loosening will delay the response.

C3

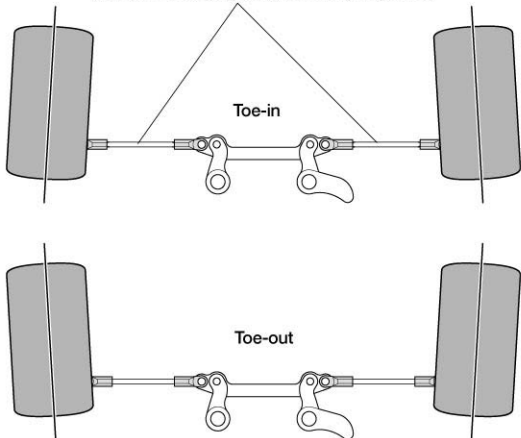


★Running on a sandy or a dusty area may cause malfunction of R/C equipment or engine. Follow the instructions outlined below for dust proofing before running on such surfaces. Install 41081 Fuel Filter L (available separately) to the fuel pipe to prevent unstable engine rotation or piston seizing due to sand or dust in the fuel tank.

●TOE-IN AND TOE-OUT

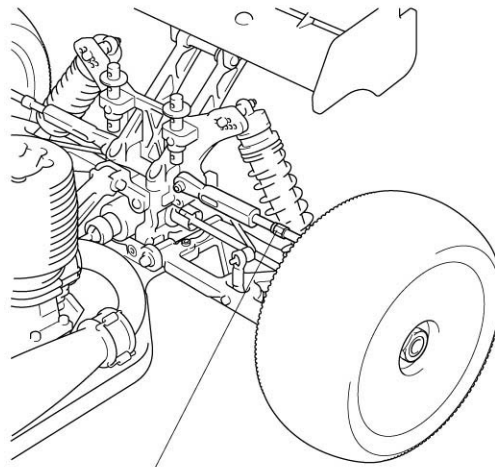
Adjusting the car to toe-in a little, by pointing the wheels inwards, provides the car with good straight running and moderate steering characteristics. Toe-out, which point the wheels outwards. Gives sharp and crisp steering. Take care not to overdo. Begin with a little toe-in and work from there.

★Adjust rod length by rotating adjuster.



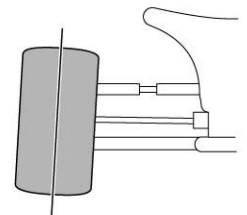
●CAMBER ANGLE

While taking the corners, the car is forced to go outwards, causing instability. The area of contact on each tire is determined by the camber angle, and therefore the traction of the tires can be made greater or lesser by adjustment of camber angle. To increase traction during cornering, adjust camber angle to negative, and to reduce traction, adjust to positive camber.

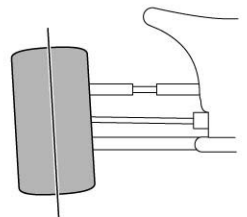


★Adjust rod length by rotating adjuster.

Negative camber



Positive camber



CAUTIONS TO OBSERVE WHEN OPERATING R/C MODELS

To avoid serious personal injury and/or property damage, operate all remote controlled models in a responsible manner as outlined below. Operate in a wide open space that will not inconvenience others.

- Never run R/C models near people or animals, nor use people or animals as obstacles.
- Never run R/C models on streets or highways, as it could cause a serious traffic accident.
- Avoid running R/C models in restricted, confined or crowded areas, to prevent damage to property and/or personal injury.
- Be aware of your environment. Do not operate your model in an area where noise might disturb others.
- Make sure that no one else is using the same frequency at the same time, whether it is driving, flying or sailing, can cause loss of control of the R/C models, resulting in serious accidents.

INSPECTION BEFORE OPERATION

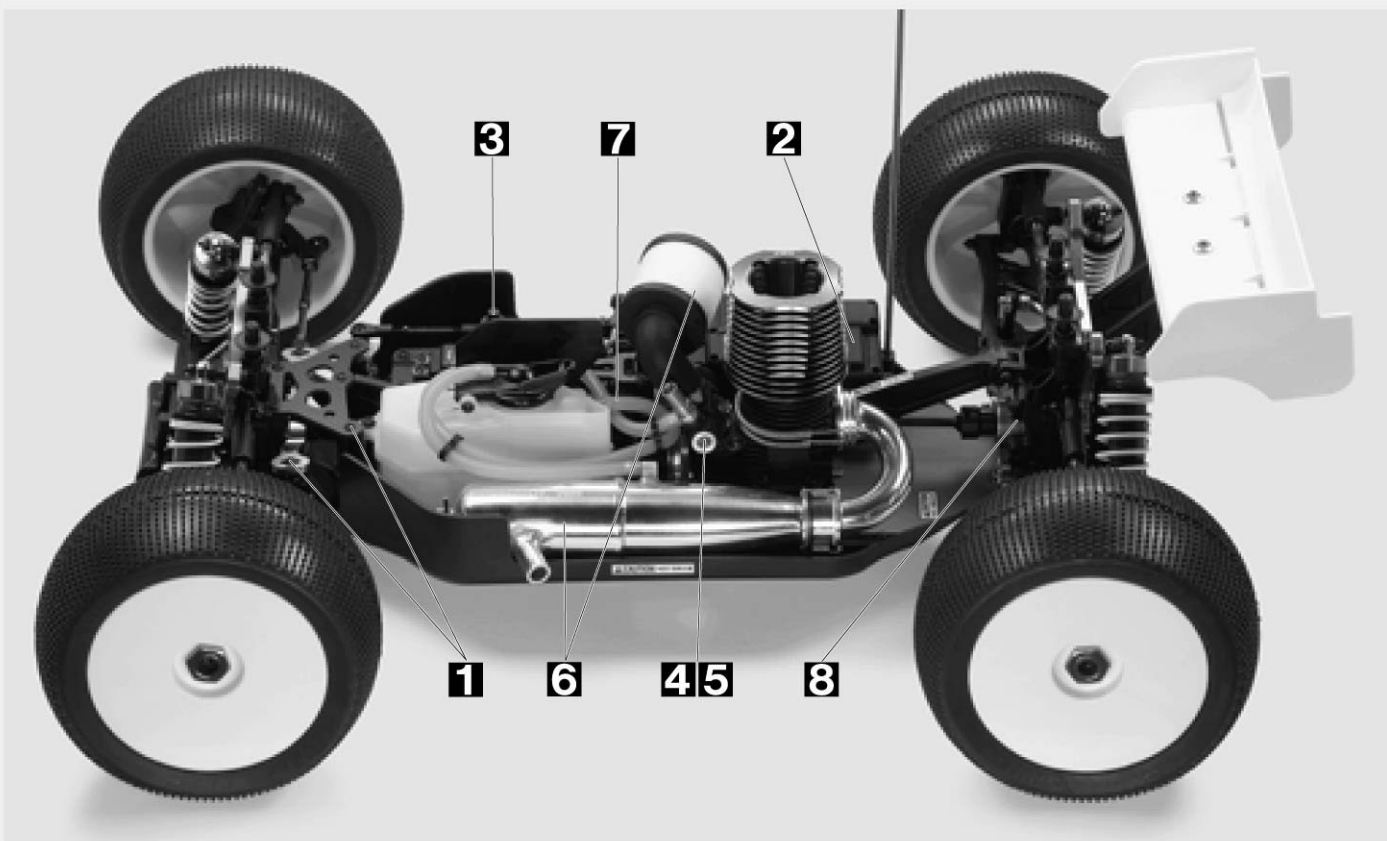
- 1** Make sure that screws & nuts are properly secured/tightened.
- 2** Make sure that batteries for transmitter and receiver are fresh. Flat batteries can cause model to run out of control.
- 3** Adjust steering servo and trim so that the model runs straight with transmitter in neutral.
- 4** Double check throttle valve for idle (neutral position). Improper adjustment can result in an out of control model.
- 5** Double check needle valve for correct setting. Engine may not start when needle valve is not properly set.
- 6** Make certain that air cleaner and muffler are clean and properly installed. Never run without these components as it can damage model.
- 7** Make certain that tubing/pipes are not clogged or cracked, as it can cause leaks and engine failure.
- 8** Apply grease to gears, bearings, etc.

HEAT, FIRE AND FUEL SAFETY

★ Use only approved glow engine fuels. Glow fuels are extremely flammable. Do not drink or inhale fumes. Avoid eyes & skin contact. Use only in a well ventilated area. Keep away from heat and open flame. Keep away from children. Improper use of glow fuels can result in serious injury and/or property damage.

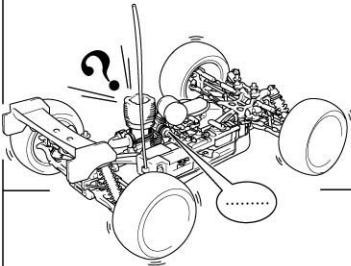
MAINTENANCE AFTER RUNNING

★ Vehicle components such as the engine, muffler, etc. become extremely hot during use and can cause burns if touched. Allow to cool before cleaning and maintenance.
 ● Remove fuel from fuel tank and silicone tube after use.

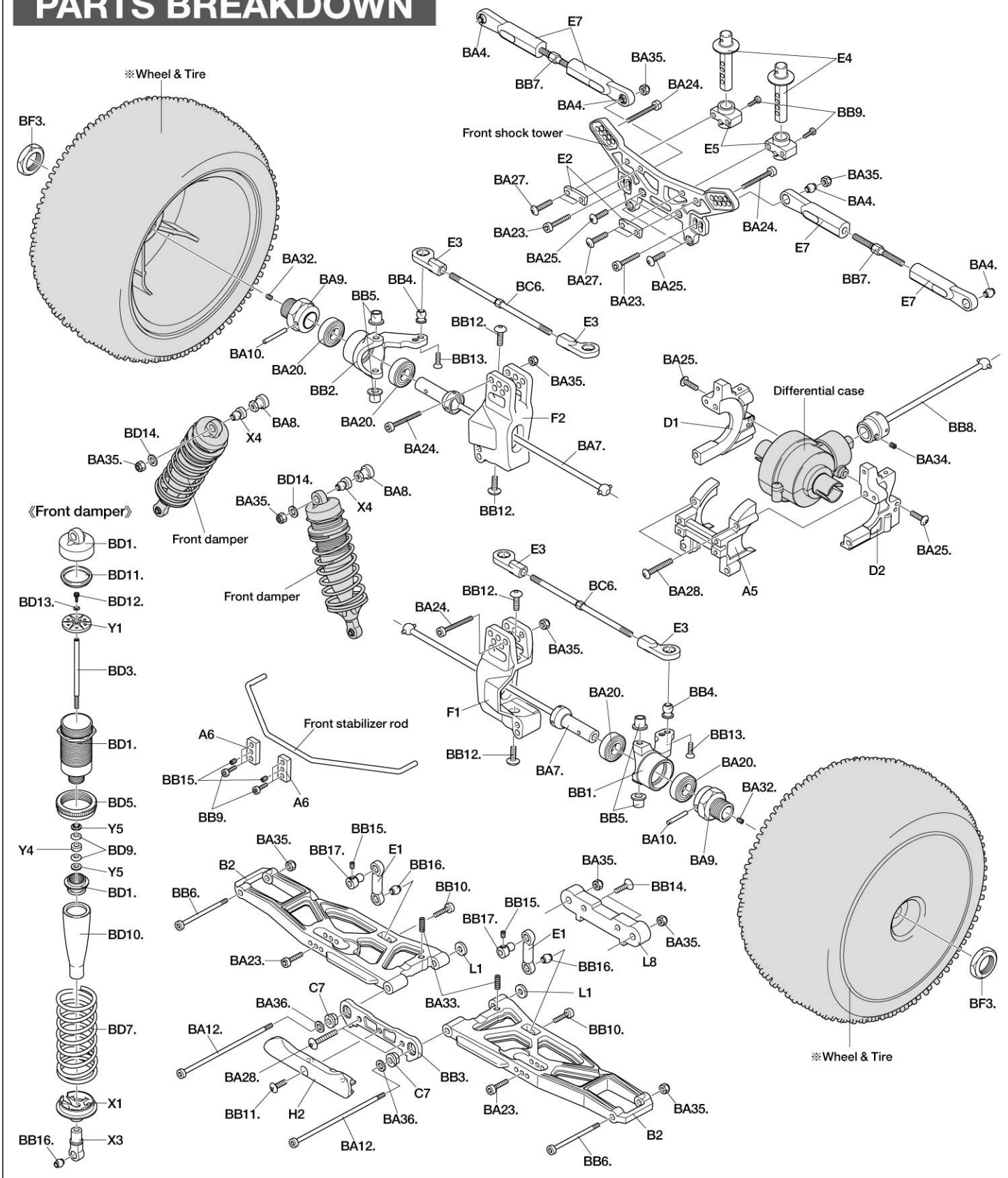


TROUBLESHOOTING GUIDE

★ Before sending your R/C model in for repair, check it again using the below diagram.

PROBLEM	CAUSE	REMEDY
<p>ENGINE DOES NOT START</p> 	<ul style="list-style-type: none"> ● Empty fuel tank. Throttle valve not primed. ● Dead plug and/or dead glow plug heater battery. ● Clogged fuel filter, muffler or air cleaner. ● Over choked (over primed). Cylinder flooded with fuel. ● Bad throttle valve adjustment. 	<ul style="list-style-type: none"> ● Fill fuel tank with glow fuel and prime throttle valve. ● Replace with new plug and/or plug heater battery. ● Clean or replace. ● Remove plug and discharge fuel. Check plug operation (connect to a fresh battery and check for a bright orange glow). ● Set needle valve and idle to standard position.
<p>ENGINE STALLS</p>	<ul style="list-style-type: none"> ● Clogged fuel filter muffler or air cleaner. ● Over heat. ● Bad throttle valve adjustment. ● Pressure and fuel pipes are not installed properly. 	<ul style="list-style-type: none"> ● Clean or replace. ● Thoroughly cool engine and close needle valve 1/8 turn. ● Adjust using needle valve. ● Properly install pipes.
<p>BAD CONTROL</p>	<ul style="list-style-type: none"> ● Weak batteries in transmitter and receiver. ● Transmitter and receiver antenna not fully extended. ● Bad servo linkage adjustment. 	<ul style="list-style-type: none"> ● Install fresh batteries. ● Fully extend antennas. ● Adjust with servo in neutral.

PARTS BREAKDOWN



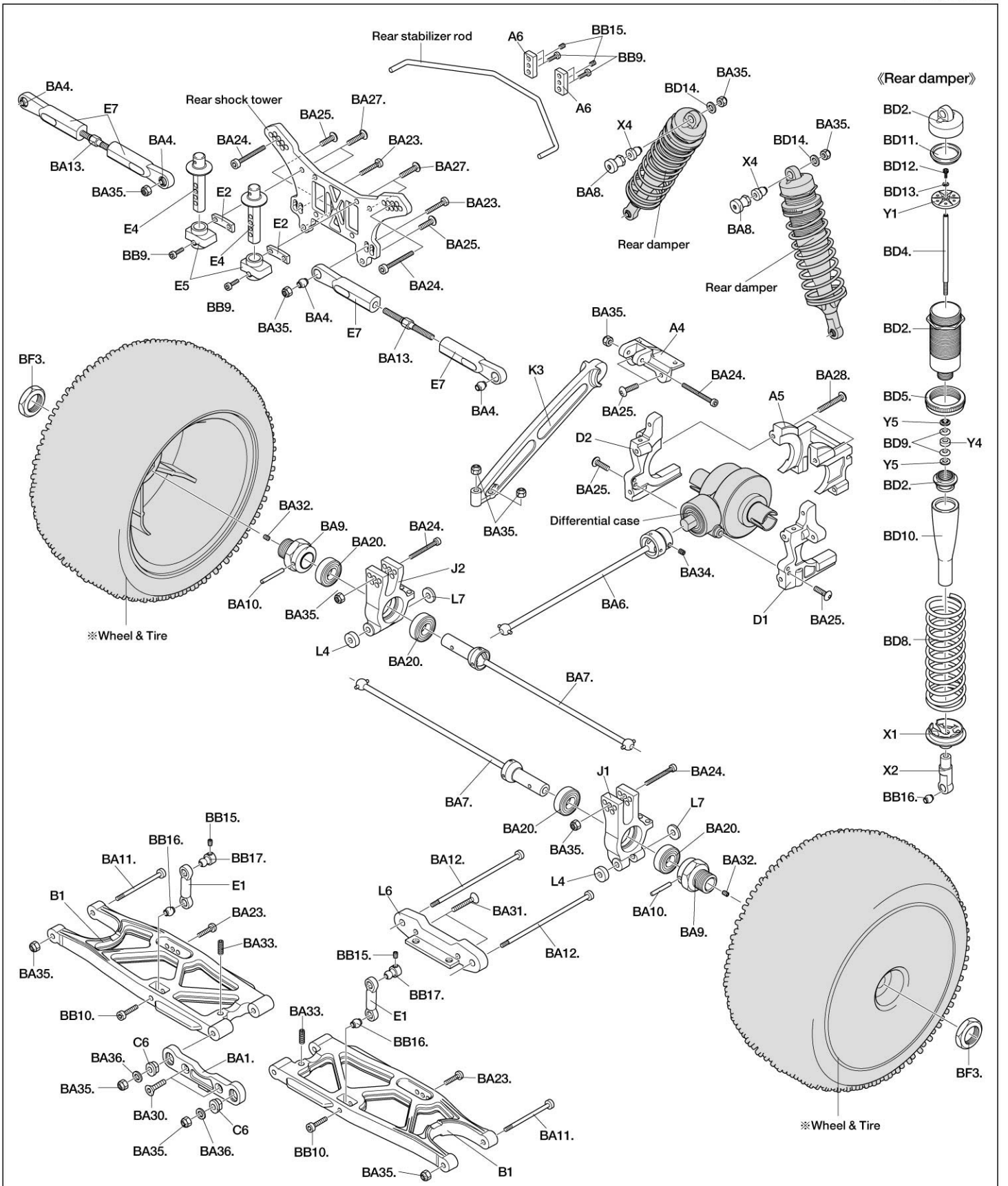
PARTS CODE

● A parts (A1 ~ A8)	9004236
● B parts (B1 & B2)	9004237
● C parts (C1 ~ C11)	9004238
● D parts (D1 & D2)	9004239
● E parts (E1 ~ E7)	9004240
● F parts (F1 & F2)	9004233
● G parts (G1)	9004241
● H parts (H1 ~ H4)	9004235
● J parts (J1 & J2)	9114048
● K parts (K1 ~ K5)	9114049
● L parts (L1 ~ L9)	9114050
● M parts (M1 ~ M8)	9114051
● N parts (N1 & N2)	9114052
● X parts (X1 ~ X4)	9224030
● Y parts (Y1 ~ Y5)	9224031
● Wing	9334126
● Fuel tank	7644023
● Chassis	9404934
● Body	1824101
● Antenna pipe	6094007

● METAL PARTS BAG A

Rear shock tower	9404931
BA1. Rear susp. block	9404929
BA2. Ring gear	9404932
BA3. Pinion gear	9404933
BA4. 7mm ball collar	9404940
BA5. Dif.f shaft	9404943
BA6. Center drive shaft (rear)	9404956
BA7. Drive shaft	9404953
BA8. Upper shock mount	9404949
BA9. 17mm wheel hub	9404951
BA10. 2.6x17mm Shaft	9404952
BA11. Outer hinge pin (rear)	9404948
BA12. Inner hinge pin	9404946
BA13. 5x72mm Turn-buckle shaft	9404965
BA14. Diff. gasket	9404970
BA15. Diff. case ring	9404995
BA16. Wing brace	9404961
BA17. Diff. drive cup	9404963
BA18. 2.6x13.8mm Shaft	9404943
BA19. 13x0.2mm Shim	9404976

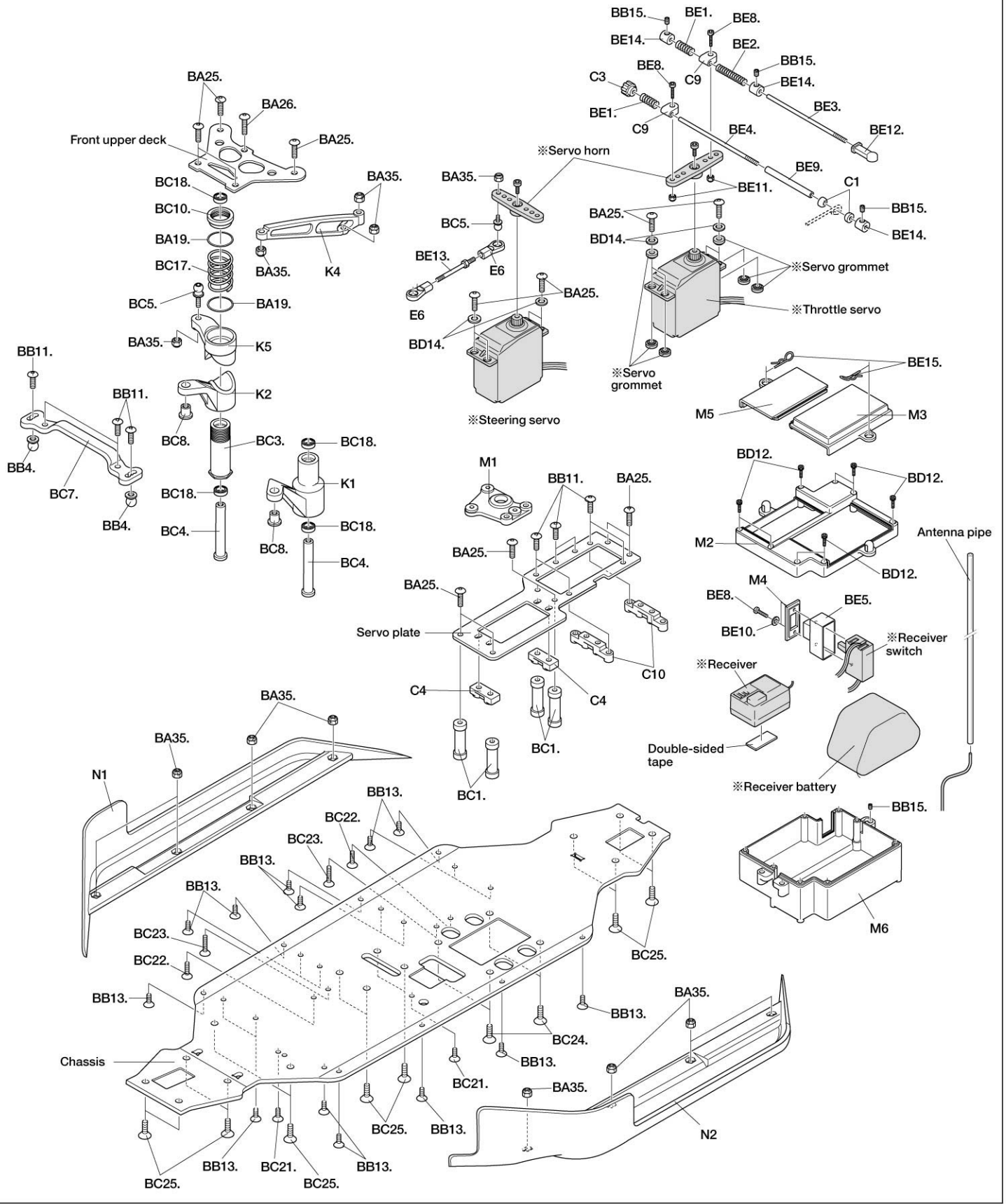
BA20. 1680 Ball bearing	9805549
BA21. Diff. gear 10T	9404943
BA22. Diff. gear 20T	9404943
BA23. 3x18mm Cap screw	9400773
BA24. 3x25mm Cap screw	9400774
BA25. 3x10mm Button head screw	9400777
BA26. 3x12mm Button head screw	9400778
BA27. 3x15mm Button head screw	9400779
BA28. 3.5x25mm Button head screw	9400789
BA29. 3x15mm Countersunk screw	9400784
BA30. 3.5x12mm Countersunk screw	9400786
BA31. 3.5x25mm Countersunk screw	9400788
BA32. 4x4mm Grub screw	9804204
BA33. 4x12mm Grub screw	9400792
BA34. 5x5mm Grub screw	9808090
BA35. 3mm Lock nut	9804364
BA36. 4mm Washer	9804370
BA37. 6mm O-ring	9400795
BA38. 4x0.2mm Shim	53586
● METAL PARTS BAG B	
Front shock tower	9404930



Front stabilizer rod	9404980
Rear stabilizer rod	9404981
BB1. Front upright (left)	9404925
BB2. Front upright (right)	9404926
BB3. Front susp. block	9404928
BB4. 7mm Ball nut	9404942
BB5. Kingpin collar	9404945
BB6. Outer hinge pin (front)	9404947
BB7. 5x50mm Turn-buckle shaft	9404964
BB8. Center drive shaft (front)	9404955
BB9. 2.5x8mm Cap screw	9400770
BB10. 3x15mm Cap screw	9400772
BB11. 3x8mm Button head screw	9400776
BB12. 4x10mm Button head screw	9400780
BB13. 3x8mm Countersunk screw	9400781
BB14. 3.5x16mm Countersunk screw	9400787
BB15. 3x3mm Grub screw	50576
BB16. 6mm Ball collar	9804329
BB17. 6mm Ball end	9804369
BA4. 7mm Ball collar	9404940
BA7. Drive shaft	9404953

BA8. Upper shock mount	9404949
BA9. 17mm wheel hub	9404951
BA10. 2.6x17mm Shaft	9404952
BA12. Inner hinge pin	9404946
BA20. 1680 Ball bearing	9805549
BA23. 3x18mm Cap screw	9400773
BA24. 3x25mm Cap screw	9400774
BA25. 3x10mm Button head screw	9400777
BA27. 3x15mm Button head screw	9400779
BA28. 3.5x25mm Button head screw	9400789
BA32. 4x4mm Grub screw	9804204
BA33. 4x12mm Grub screw	9400792
BA34. 5x5mm Grub screw	9808090
BA35. 3mm Lock nut	9804364
BA36. 4mm Washer	9804370
● METAL PARTS BAG C	
Front upper deck	9404918
Center diff. upper deck	9404919
BC1. Radio tray post	9404936
BC2. Brake cam	9404937
BC3. Servosaver tube	9404938

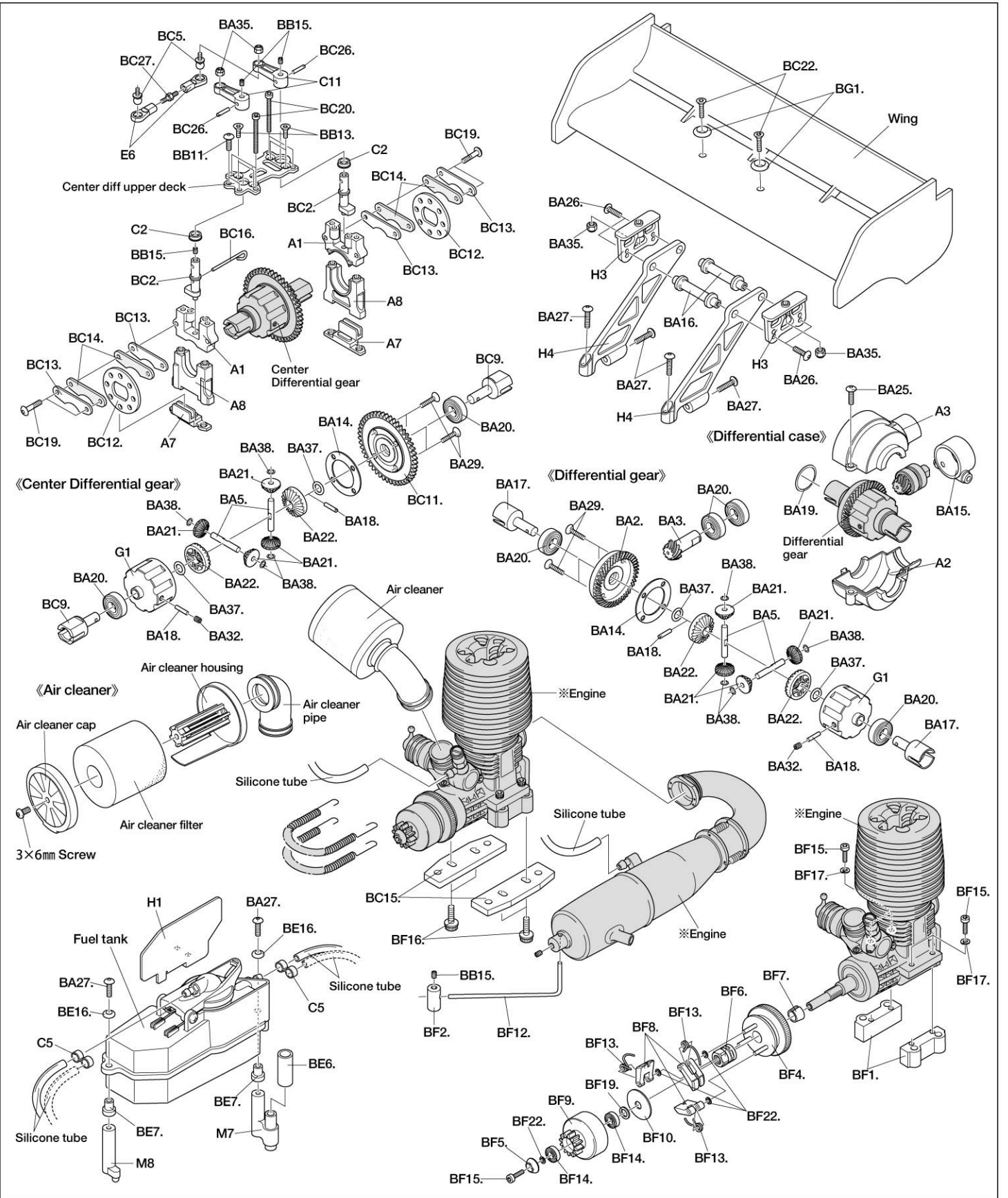
BC4. Steering post	9404939
BC5. 6mm Ball connector	9404941
BC6. 4x91.5mm Turn-buckle shaft	9404966
BC7. Steering bar	9404969
BC8. Steering bushing	9404944
BC9. Center drive cup	9404962
BC10. Servosaver adjuster	9404938
BC11. Spur gear	9404967
BC12. Brake rotor	9404971
BC13. Brake caliper (silver)	9404972
BC14. Brake pad (gray)	9404972
BC15. Engine mount plate	9404973
BC16. Brake arm	9404979
BC17. Servosaver spring	9404984
BC18. 1060 Ball bearing	53270
BC19. 3x13.7mm Brake screw	9404996
BC20. 3x30mm Cap screw	9400775
BC21. 3x10mm Countersunk screw	9400782
BC22. 3x12mm Countersunk screw	9400783
BC23. 3x18mm Countersunk screw	9400785
BC24. 4x6mm Countersunk screw	9400790



BC25. 4x12mm Countersunk screw 9400791
 BC26. 2x10mm Shaft 50594
 BC27. 3x18mm Turn-buckle shaft 9400796
 BA5. Diff. shaft 9404943
 BA14. Diff. gasket 9404970
 BA18. 2.6x13.8mm Shaft 9404943
 BA19. 13x0.2mm Shim 9404976
 BA20. 1680 Ball bearing 9805549
 BA21. Diff gear 10T 9404943
 BA22. Diff gear 20T 9404943
 BA24. 3x25mm Cap screw 9400774
 BA25. 3x10mm Button head screw 9400777
 BA26. 3x12mm Button head screw 9400778
 BA29. 3x15mm Countersunk screw 9400784
 BA32. 4x4mm Grub screw 9804204
 BA35. 3mm Lock nut 9804364
 BA37. 6mm O-ring 9400795
 BA38. 4x0.2mm Shim 53586
 BB4. 7mm Ball nut 9404942
 BB11. 3x8mm Button head screw 9400776
 BB13. 3x8mm Countersunk screw 9400781

BB15. 3x3mm Grub screw 50576
METAL PARTS BAG D
 BD1. Front damper cylinder 9404920
 BD2. Rear damper cylinder 9404921
 BD3. Front piston rod 9404922
 BD4. Rear piston rod 9404923
 BD5. Spring retainer 9404924
 BD6. 18mm O-ring 9404924
 BD7. Front coil spring 9404977
 BD8. Rear coil spring 9404978
 BD9. 3.5mm Silicone O-ring 9404989
 BD10. Damper boot 9404992
 BD11. Oil seal 9404994
 BD12. 2x6mm Cap screw 9400769
 BD13. 2mm Spring washer 9400794
 BD14. 3mm Washer 50586
 BA23. 3x18mm Cap screw 9400773
 BA35. 3mm Lock nut 9804364
 BB16. 6mm Ball collar 9804329
METAL PARTS BAG E
 Servo plate 9404917

Double-sided tape (20x40mm) 50171
 BE1. Spring (short) 9404986
 BE2. Spring (long) 9404985
 BE3. 2x64mm Adjuster rod 9404988
 BE4. 2x80mm Adjuster rod 9404987
 BE5. Switch cover 9404990
 BE6. Overflow tube 9404991
 BE7. Tank bushing rubber 9404993
 BE8. 2x10mm Cap screw 9400798
 BE9. Brake linkage pipe 6094008
 BE10. 2mm Washer 9805758
 BE11. 2mm Lock nut 9805889
 BE12. 4mm Adjuster 0445563
 BE13. 3x42mm Turn-buckle shaft 9400797
 BE14. Rod stopper 9804221
 BE15. 6mm Snap pin 9805702
 BE16. 3mm O-ring 9805240
 BA25. 3x10mm Button head screw 9400777
 BA27. 3x15mm Button head screw 9400779
 BA35. 3mm Lock nut 9804364
 BA36. 4mm Washer 9804370



BB11. 3x8mm Button head screw	9400776
BB15. 3x3mm Grub screw	50576
BC5. 6mm Ball connector	9404941
BC21. 3x10mm Countersunk screw	9400782
BD12. 2x6mm Cap screw	9400769
BD14. 3mm Washer	50586
● METAL PARTS BAG F	
Silicone tube (500mm)	9404998
BF1. Engine mount	9404927
BF2. Muffler mount	9404935
BF3. 12mm Wheel nut	9404950
BF4. Flywheel	9404959
BF5. 3mm Taper washer	9404957
BF6. Flywheel nut	9404958
BF7. Taper collet	9404959
BF8. Clutch shoe	9404960
BF9. Clutch bell	9404968
BF10. 5x20x0.2mm Shim	9404974
BF11. 5x10x1mm Washer	9404975
BF12. Muffler mount rod	9404982
BF13. Clutch spring	9404983

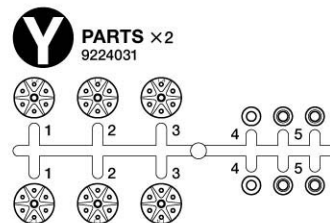
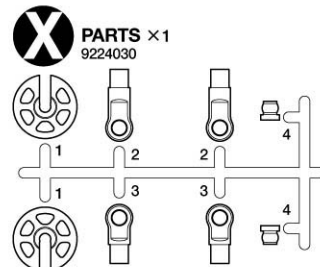
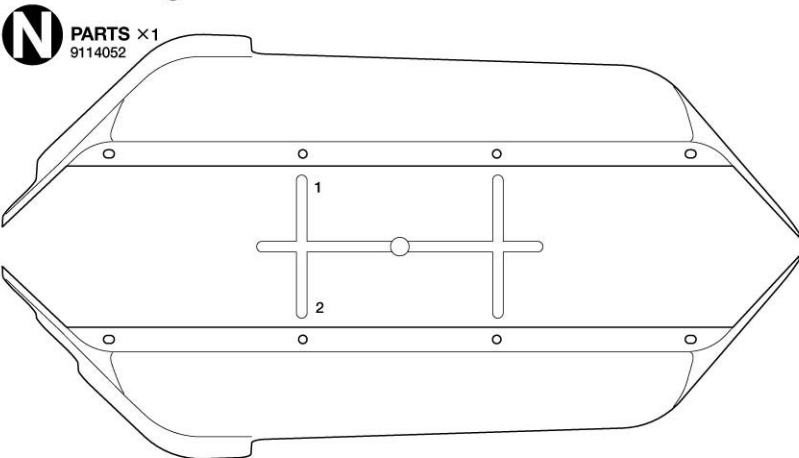
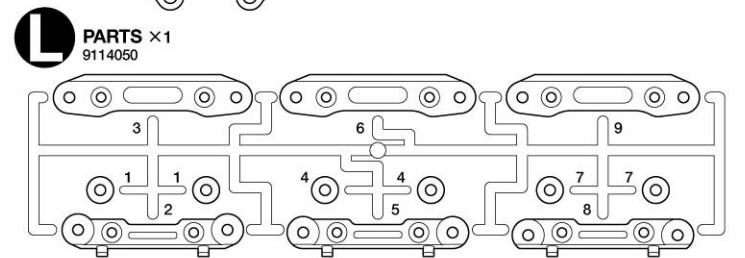
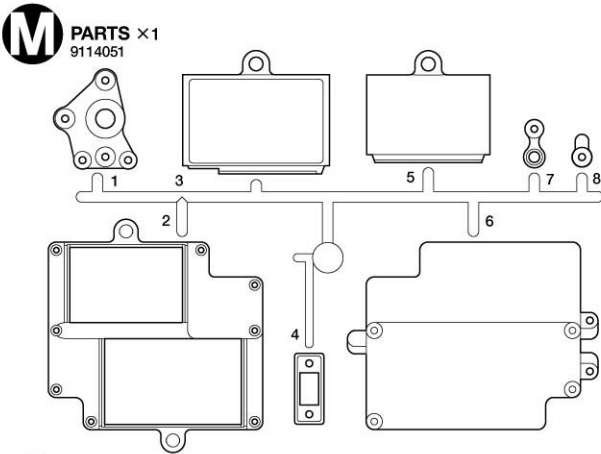
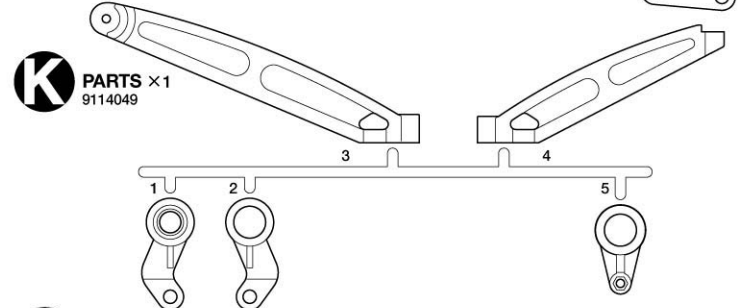
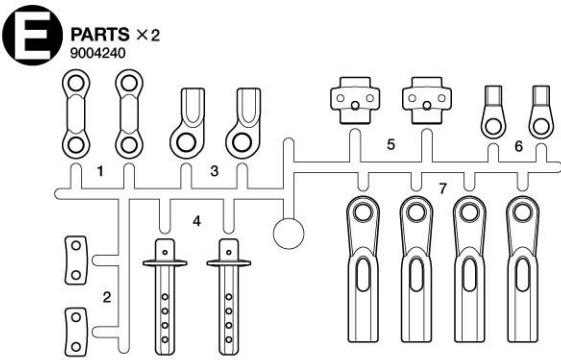
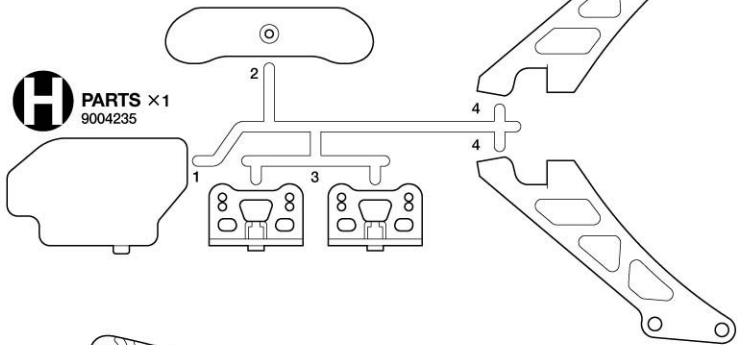
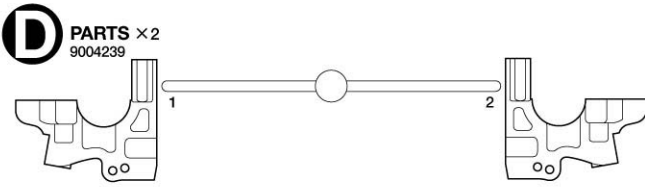
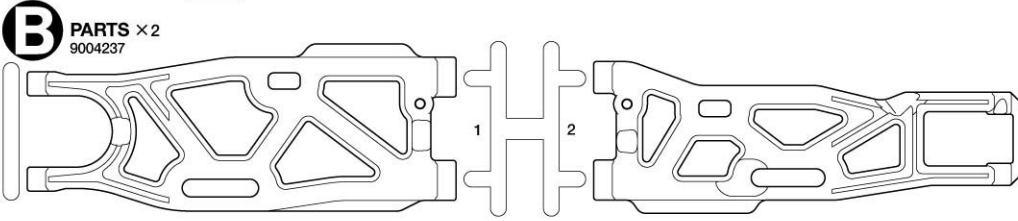
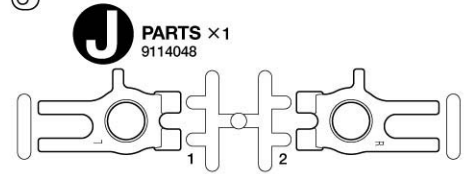
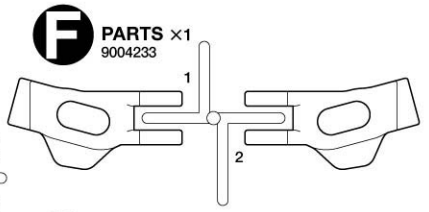
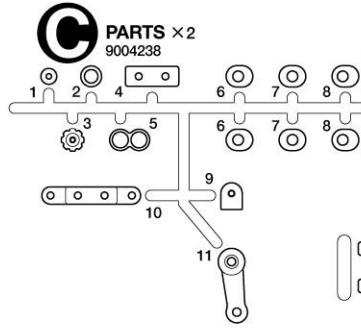
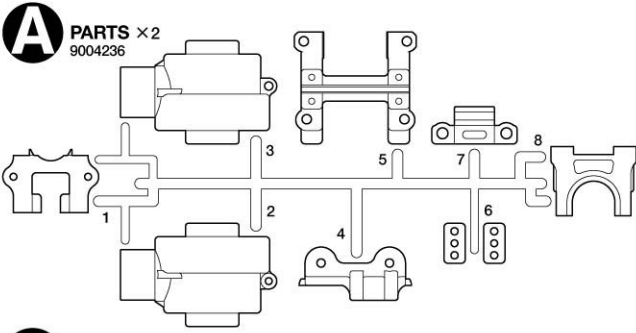
BF14. 1050 Ball bearing	9404999
BF15. 3x10mm Cap screw	9400771
BF16. 4x10mm Flange cap screw	9400793
BF17. 3mm Spring washer	50586
BF18. 5x0.1mm Shim	53587
BF19. 5x0.2mm Shim	53587
BF20. 5x0.3mm Shim	53587
BF21. 3x0.1mm Shim	53585
BF22. 3x0.2mm Shim	53585
BF23. 3x0.3mm Shim	53585
BF24. 2.5x8mm Cap screw	9400770
BF25. 3x8mm Countersunk screw	9400781
BF26. 3x3mm Grub screw	50576
● METAL PARTS BAG G	
BG1. Wing washer	9805631
BG2. 7mm Snap pin	50956
BA35. 3mm Lock nut	9804364
BC22. 3x12mm Countersunk screw	9400782
● TOOL BAG	
Hex wrench (1.5mm)	50038
Hex wrench (3.0mm)	2990058

Box wrench	9404997
Air cleaner parts bag	41063
Air cleaner filter	41063
Air cleaner oil	41063
Grease	87025
Differential oil (#10000)	53759
Damper oil (#400)	53443
Liquid thread lock	54032
Nylon band	50595
● Sticker bag	
Body sticker	1424443
Masking sticker	1424444
Caution sticker	1420253
Aluminum glass tape (50x70mm)	53351

AFTER MARKET SERVICE
 When purchasing Tamaya replacement parts, please take or send this form to your local Tamaya dealer so that the parts required can be correctly identified and supplied. Please note that specifications, availability and price are subject to change without notice.

PARTS

★ Specifications are subject to change without notice.

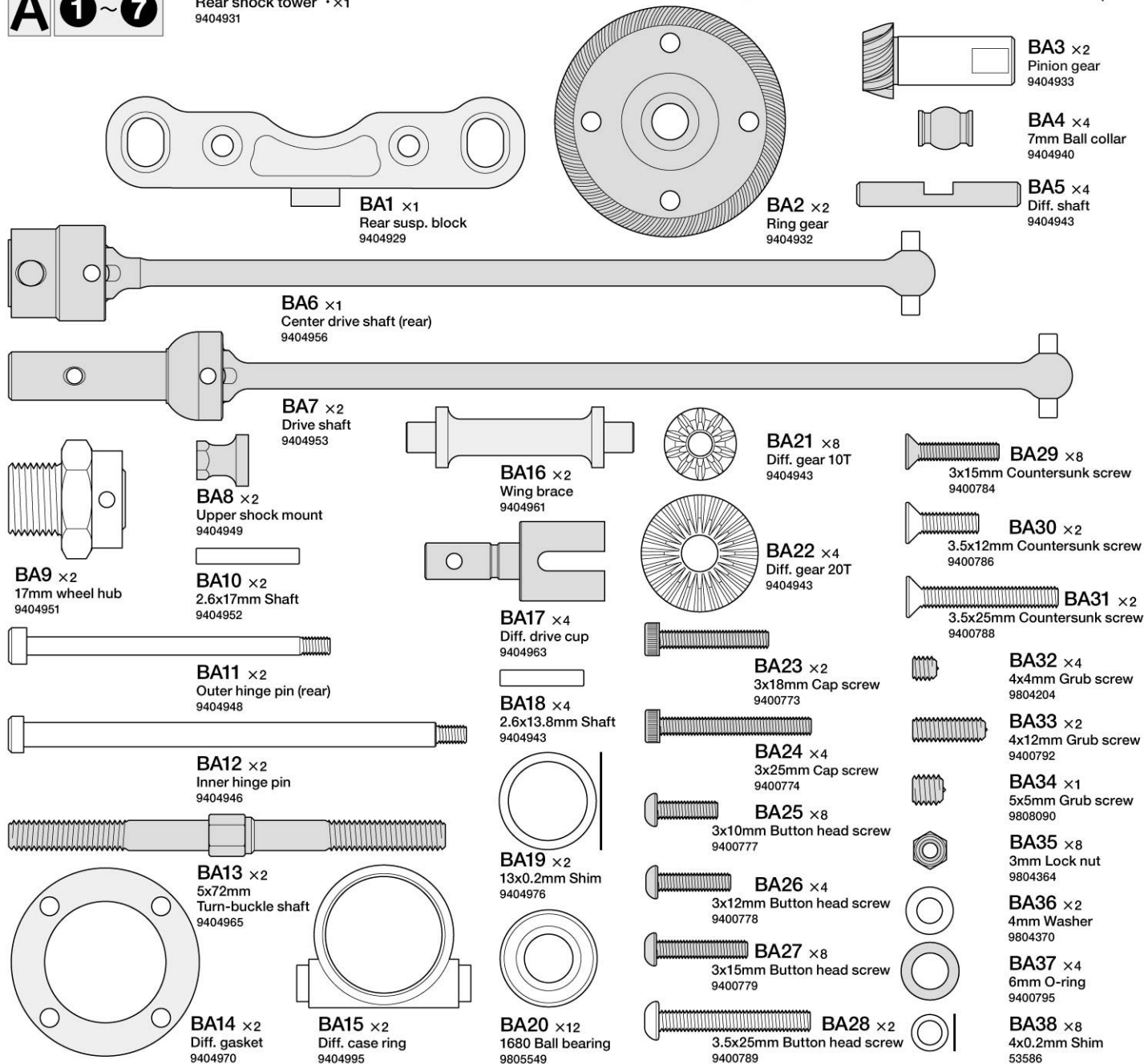


- Chassis×1
9404934
- Fuel tank×1
7644023
- Body×1
1824101
- Wing×1
9334126
- Body sticker×1
1424443
- Masking sticker×1
1424444
- Caution sticker×1
1420253
- Aluminum glass tape ·×1
(50x70mm) 53351
- Antenna pipe×1
6094007

A 1~7

Rear shock tower ·×1
9404931

★Extra screws and nuts are included. Use them as spares.

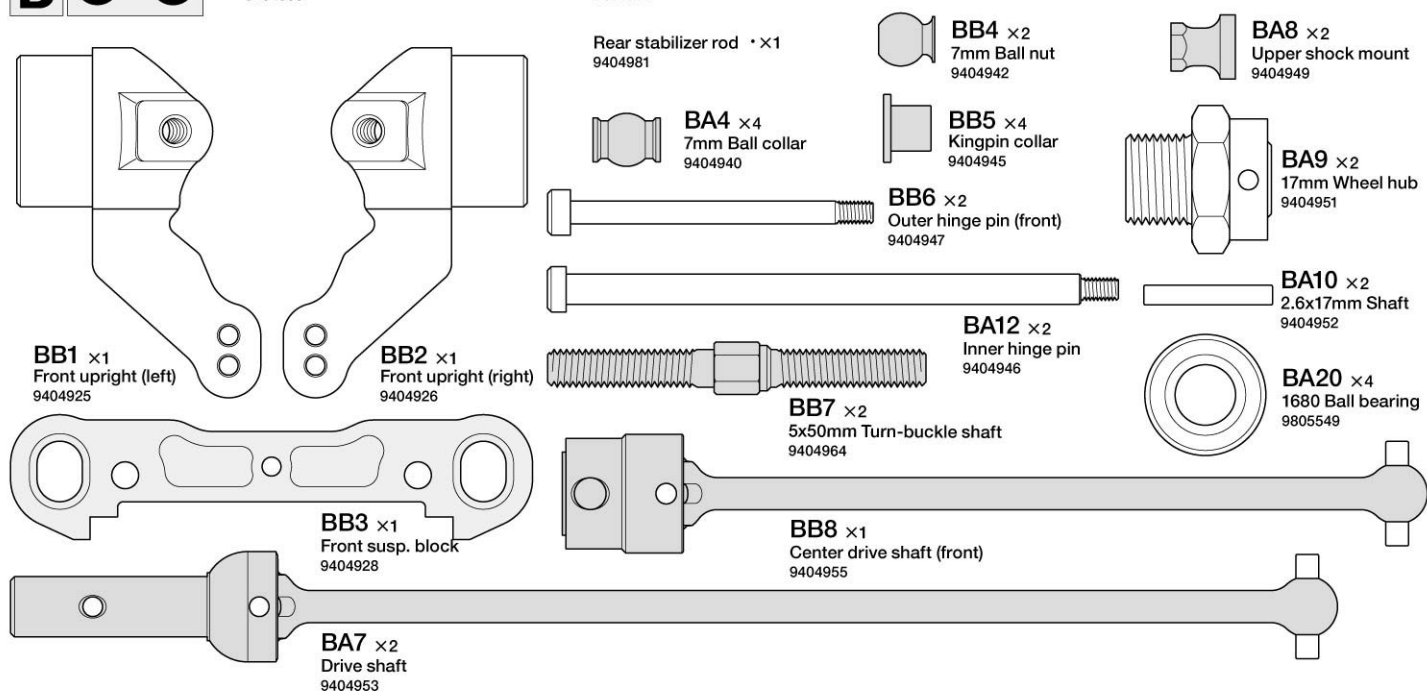


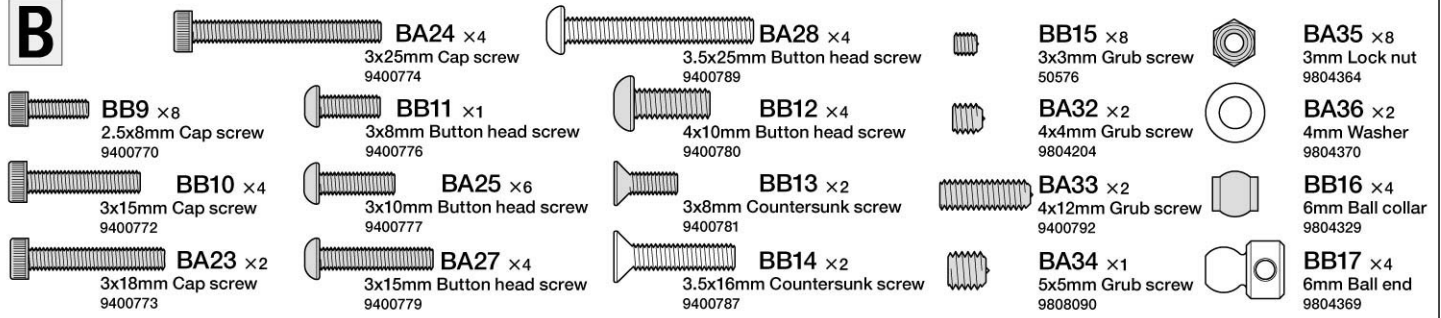
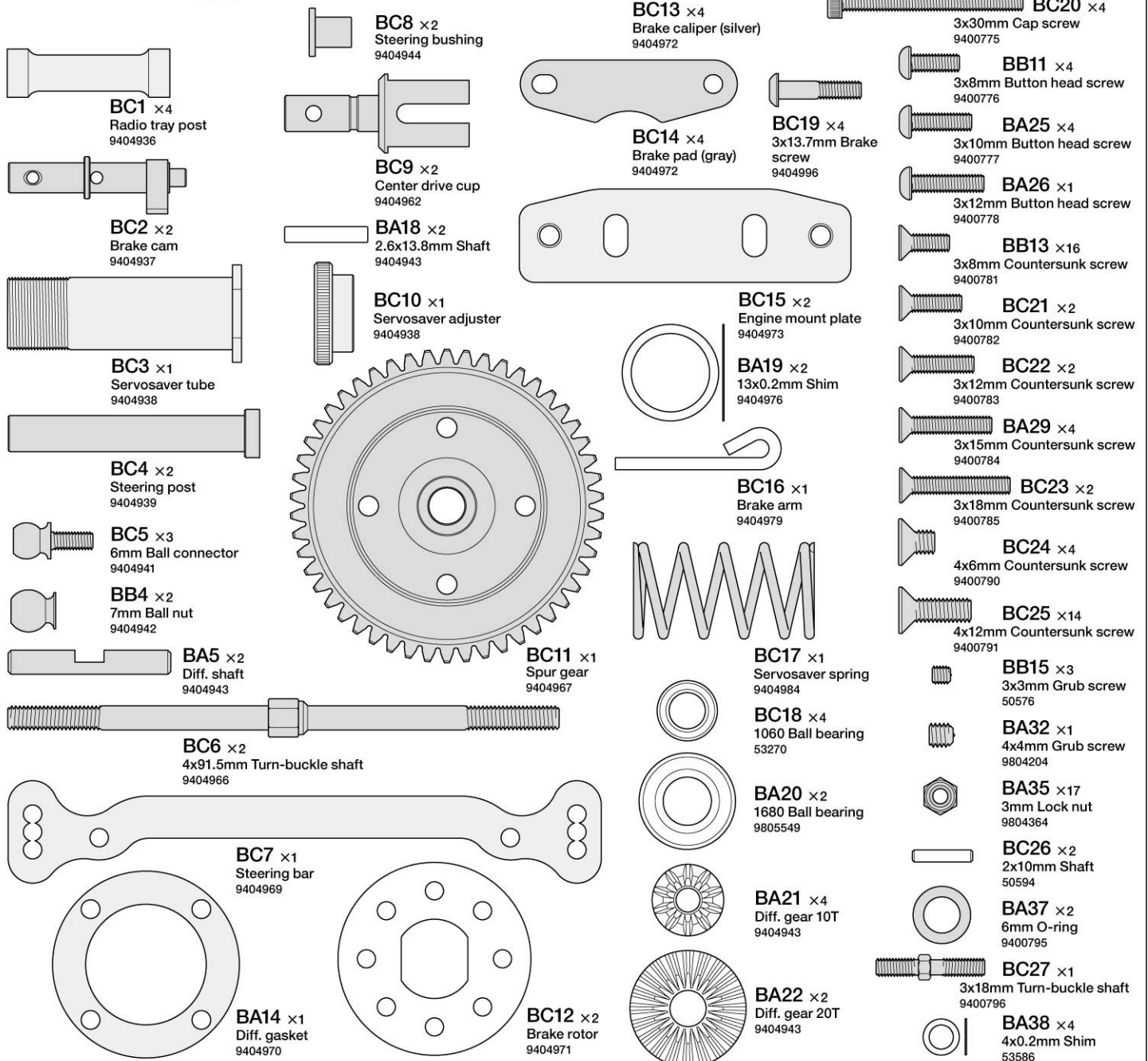
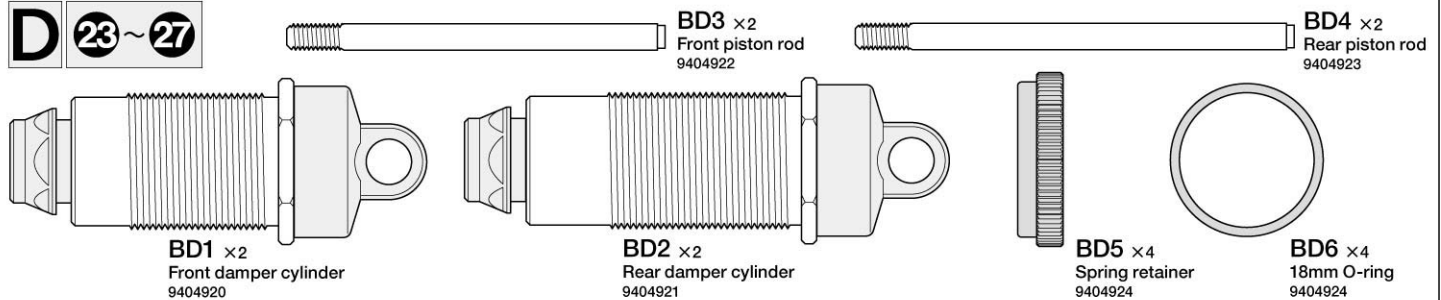
B 8~14

Front shock tower ·×1
9404930

Front stabilizer rod ·×1
9404980

Rear stabilizer rod ·×1
9404981



B**C****15 ~ 22**Front upper deck ×1
9404918Center diff upper deck ×1
9404919**D****23 ~ 27**

D

- BD7** ×2 Front coil spring 9404977
- BD8** ×2 Rear coil spring 9404978
- BD9** ×8 3.5mm Silicone O-ring 9404989
- BD10** ×4 Damper boot 9404992
- BD11** ×4 Oil seal 9404994
- BD12** ×4 2x6mm Cap screw 9400769
- BD13** ×4 2mm Spring washer 9400794
- BA23** ×4 3x18mm Cap screw 9400773
- BA35** ×4 3mm Lock nut 9804364
- BD14** ×4 3mm Washer 50586
- BB16** ×4 6mm Ball collar 9804329

E 28~33

Servo plate ·×1 9404917
Double-sided tape (20x40mm) ·×1 50171

- BC5** ×1 6mm Ball connector 9404941
- BE1** ×2 Spring (short) 9404986
- BE2** ×1 Spring (long) 9404985
- BE3** ×1 2x64mm Adjuster rod 9404988
- BE4** ×1 2x80mm Adjuster rod 9404987
- BE5** ×1 Switch cover 9404990
- BE6** ×1 Overflow tube 9404991
- BE7** ×2 Tank bushing rubber 9404993
- BD12** ×8 2x6mm Cap screw 9400769
- BE8** ×4 2x10mm Cap screw 9400798
- BE9** ×1 Brake linkage pipe 6094008
- BB11** ×8 3x8mm Button head screw 9400776
- BA25** ×14 3x10mm Button head screw 9400777
- BA27** ×2 3x15mm Button head screw 9400779
- BC21** ×4 3x10mm Countersunk screw 9400782
- BB15** ×4 3x3mm Grub screw 50576
- BA35** ×1 3mm Lock nut 9804364
- BA36** ×12 4mm Washer 9804370
- BD14** ×8 3mm Washer 50586
- BE10** ×2 2mm Washer 9805758
- BE11** ×2 2mm Lock nut 9805889
- BE12** ×1 4mm Adjuster 0445563
- BE13** ×1 3x42mm Turn-buckle shaft 9400797
- BE14** ×3 Rod stopper 9804221
- BE15** ×2 6mm Snap pin 9805702
- BE16** ×2 3mm O-ring 9805240

F 34~39

Silicone tube (500mm) ·×1 9404998

- BF1** ×2 Engine mount 9404927
- BF2** ×1 Muffler mount 9404935
- BF3** ×4 12mm Wheel nut 9404950
- BF4** ×1 Flywheel 9404959
- BF5** ×1 3mm Taper washer 9404957
- BF6** ×1 Flywheel nut 9404958
- BF7** ×1 Taper collet 9404959
- BF8** ×3 Clutch shoe 9404960
- BF9** ×1 Clutch bell 9404968
- BF10** ×1 5x20x0.2mm Shim 9404974
- BF11** ×1 5x10x1mm Washer 9404975
- BF12** ×1 Muffler mount rod 9404982
- BF13** ×3 Clutch spring 9404983
- BF14** ×2 1050 Ball bearing 9404999
- BB9** ×4 2.5x8mm Cap screw 9400770
- BF15** ×5 3x10mm Cap screw 9400771
- BB13** ×1 3x8mm Countersunk screw 9400781
- BF16** ×4 4x10mm Flange cap screw 9400793
- BB15** ×1 3x3mm Grub screw 50576
- BF17** ×4 3mm Spring washer 50587
- BF18** ×1 5x0.1mm Shim 53587
- BF19** ×1 5x0.2mm Shim 53587
- BF20** ×1 5x0.3mm Shim 53587
- BF21** ×1 3x0.1mm Shim 53585
- BF22** ×4 3x0.2mm Shim 53585
- BF23** ×1 3x0.3mm Shim 53585

G 40~43

- BC22** ×2 3x12mm Countersunk screw 9400783
- BA35** ×2 3mm Lock nut 9804364
- BG1** ×2 Wing washer 9805631
- BG2** ×4 7mm Snap pin 50956

Tool bag

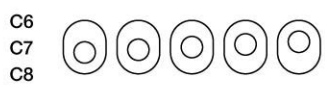
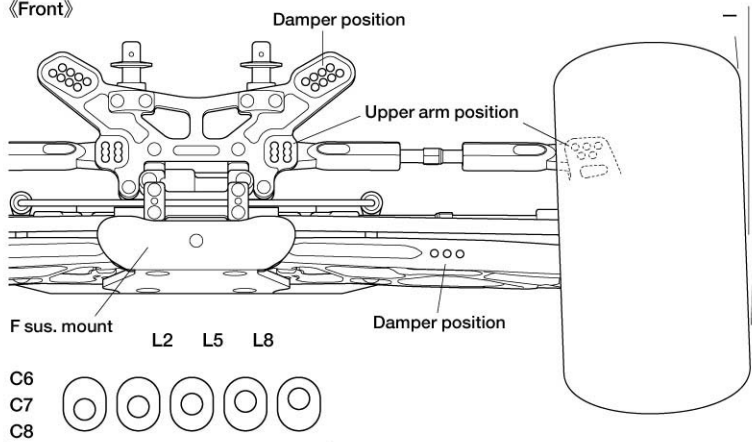
- Box wrench ·×1 9404997
- Nylon band ·×3 50595
- Hex wrench (3.0mm) ·×1 2990058
- Hex wrench (1.5mm) ·×1 50038
- Grease ·×1 87025
- Damper oil (#400) ·×2 53443
- Differential oil (#10000) ·×1 53759
- Air cleaner filter ·×1 41063
- Air cleaner oil ·×1 41063
- Liquid thread lock ·×1 54032
- Air cleaner parts bag 41063
- Air cleaner cap ·×1
- Air cleaner housing ·×1
- Air cleaner pipe ·×1
- 3x6mm Screw ·×1

SETTING SHEET

Name _____ Date _____ Air temp. _____ Humidity _____

Track _____ Track condition _____ Track temp. _____

《Front》



— +

Camber angle _____ °

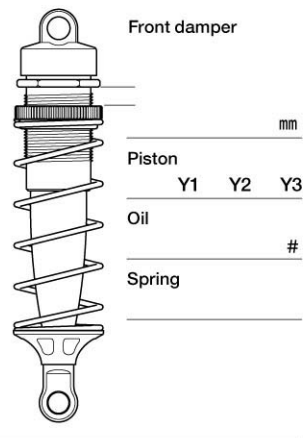
Ground clearance _____ mm

Rebound stroke _____ mm

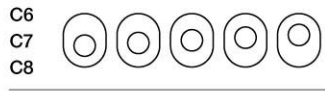
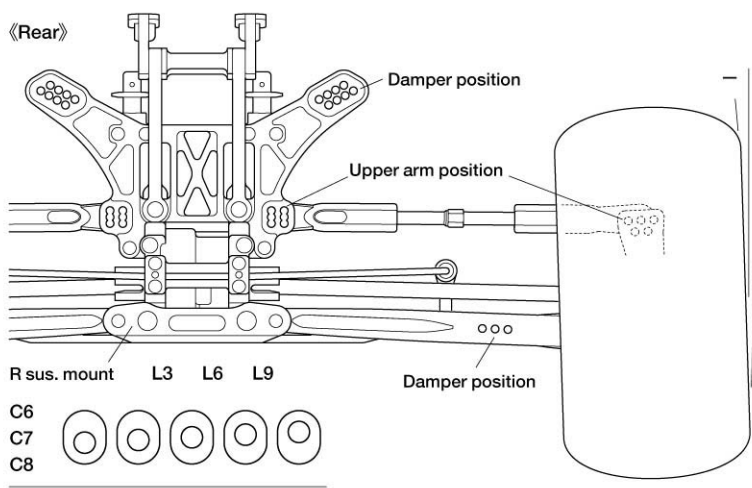
Stabilizer _____

Front diff. fluid _____ #

Memo _____



《Rear》



— +

Camber angle _____ °

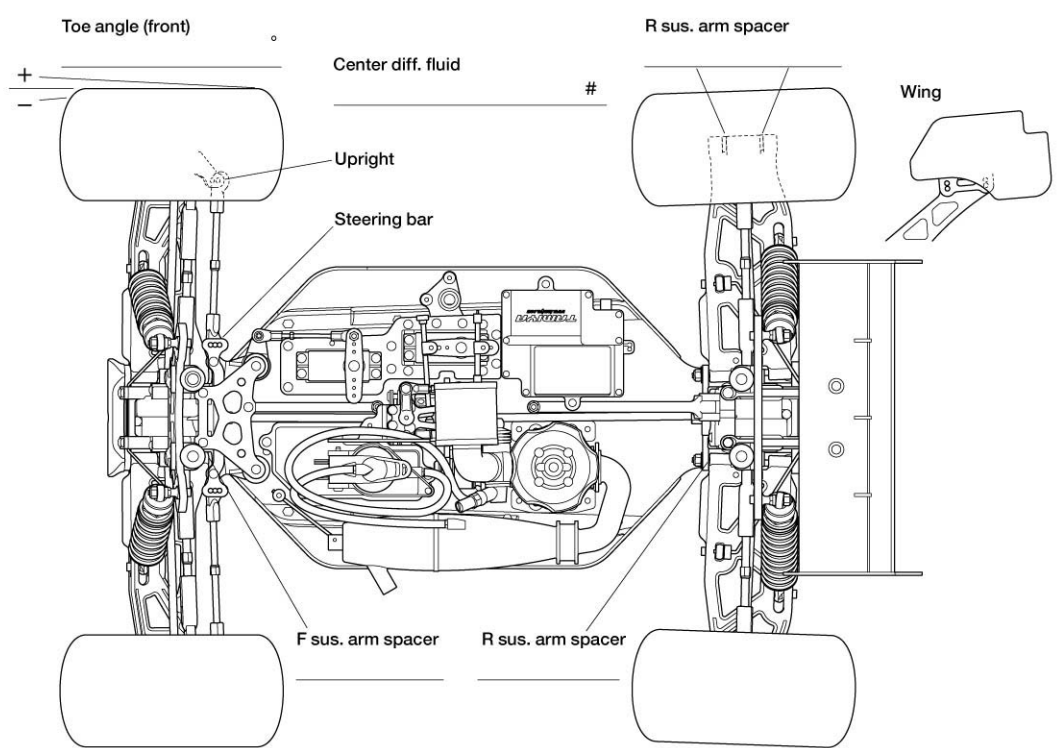
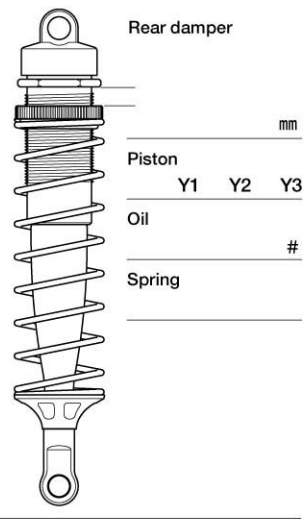
Ground clearance _____ mm

Rebound stroke _____ mm

Stabilizer _____

Rear diff. fluid _____ #

Memo _____



Engine _____

Plug _____

Spur gear _____ Pinion gear _____

Clutch spring _____

Muffler _____

Fuel _____

Tire _____

Wheel _____

Tire insert _____

Best lap _____

